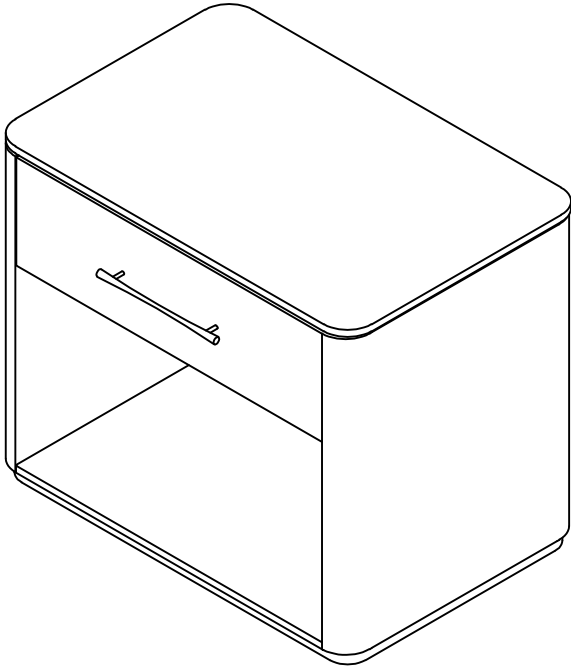


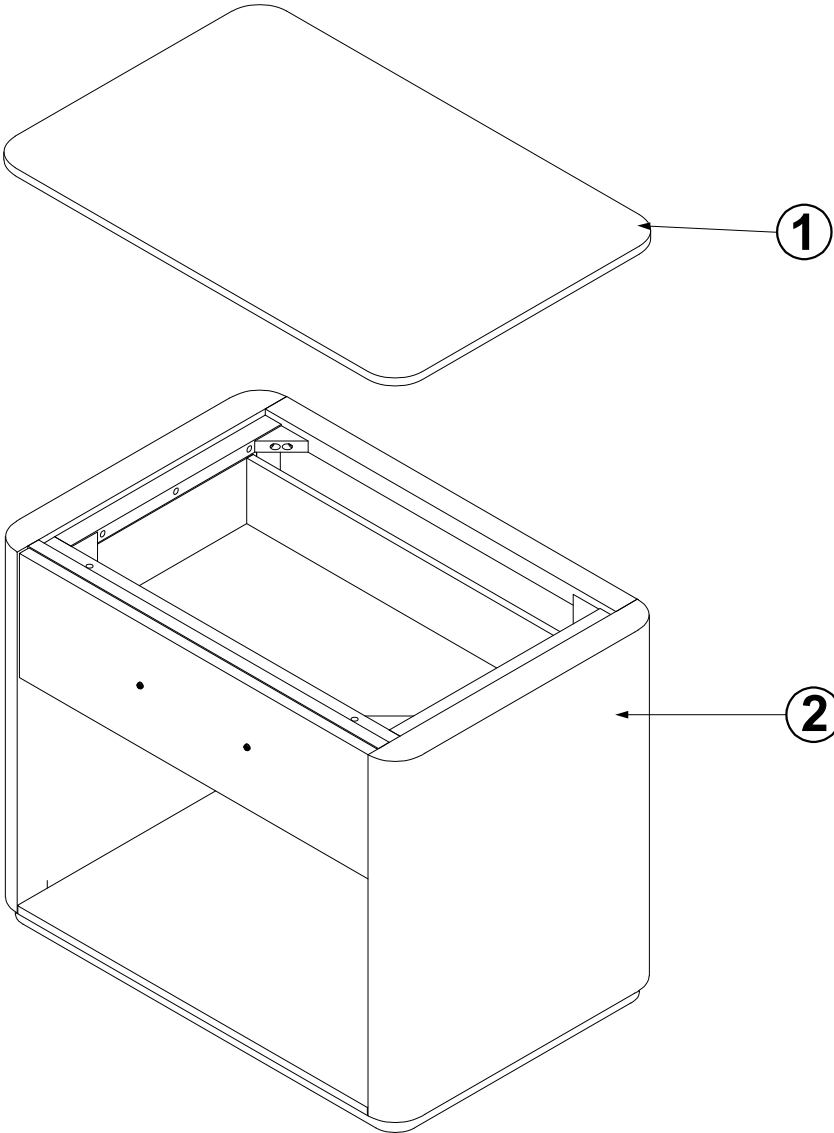
ASSEMBLY INSTRUCTION FOR

RALEIGH NIGHTSTAND

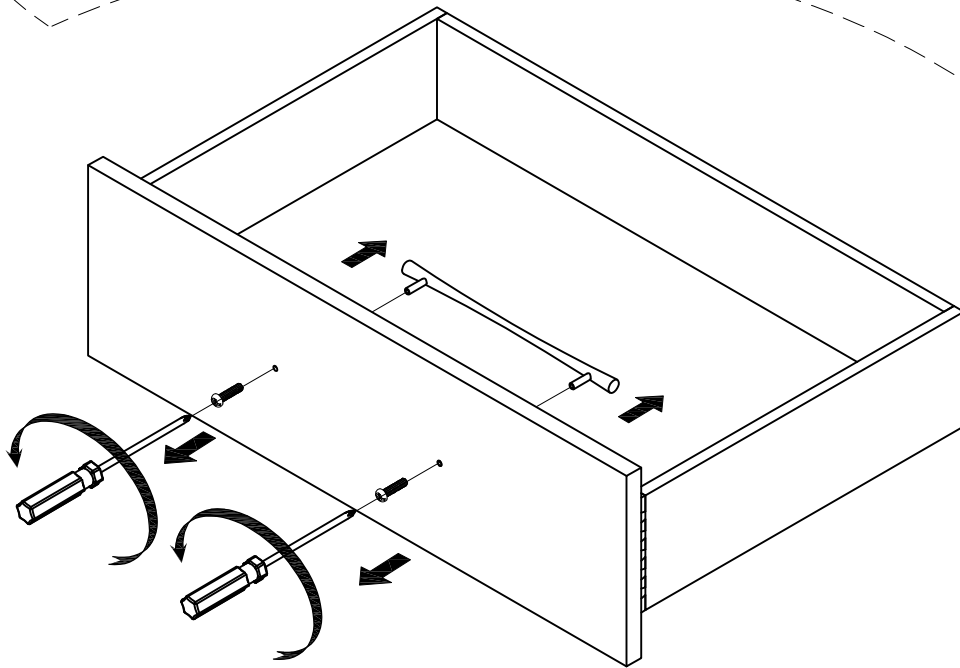
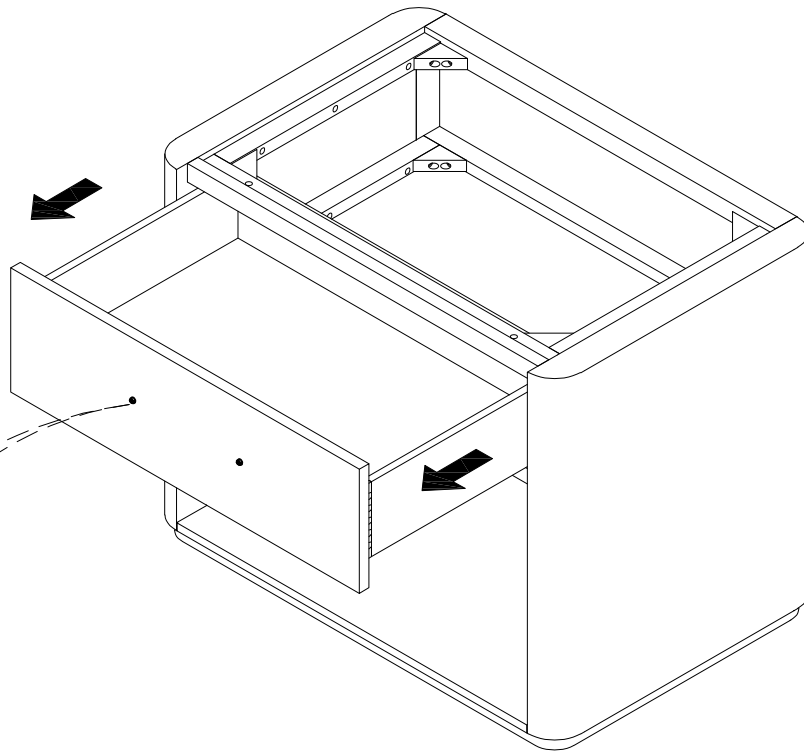


Hardware List

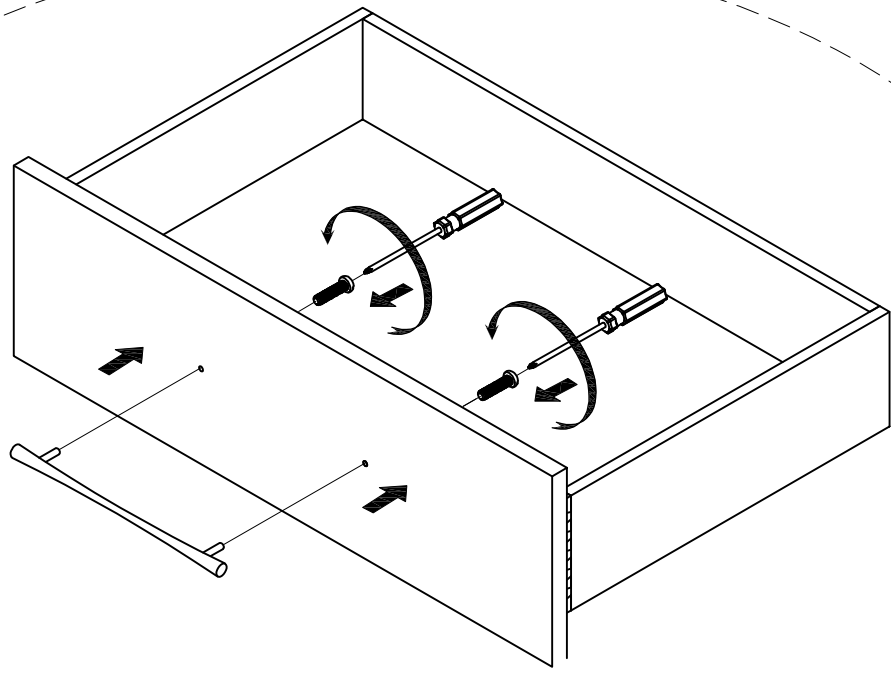
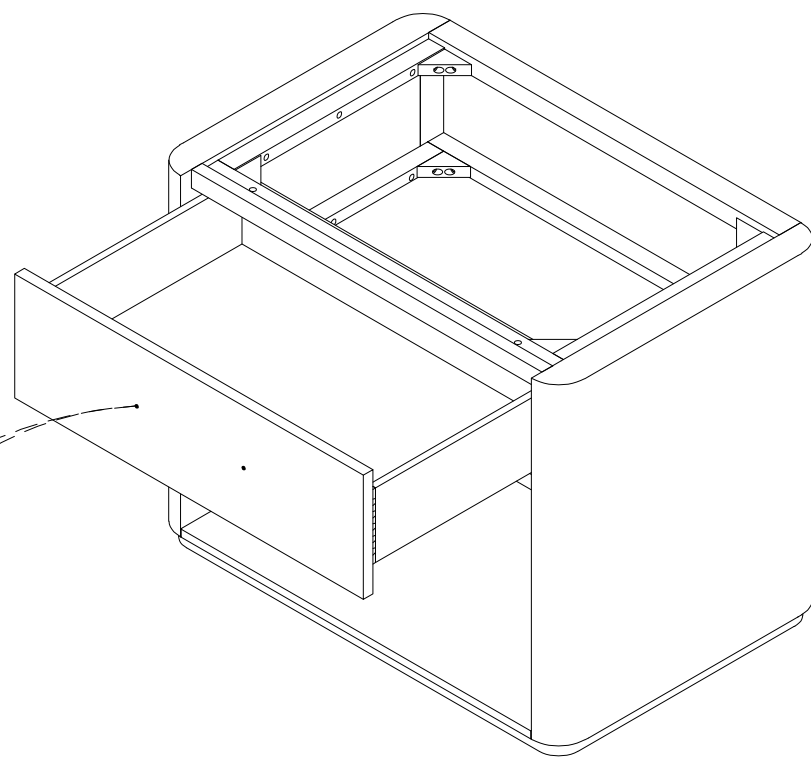
A		Bolt	M6x30mm	2
B		Flat Washer	6x19mm	2
C		Allen Key	4mm	1
D		Tipping Hardware	1 set	



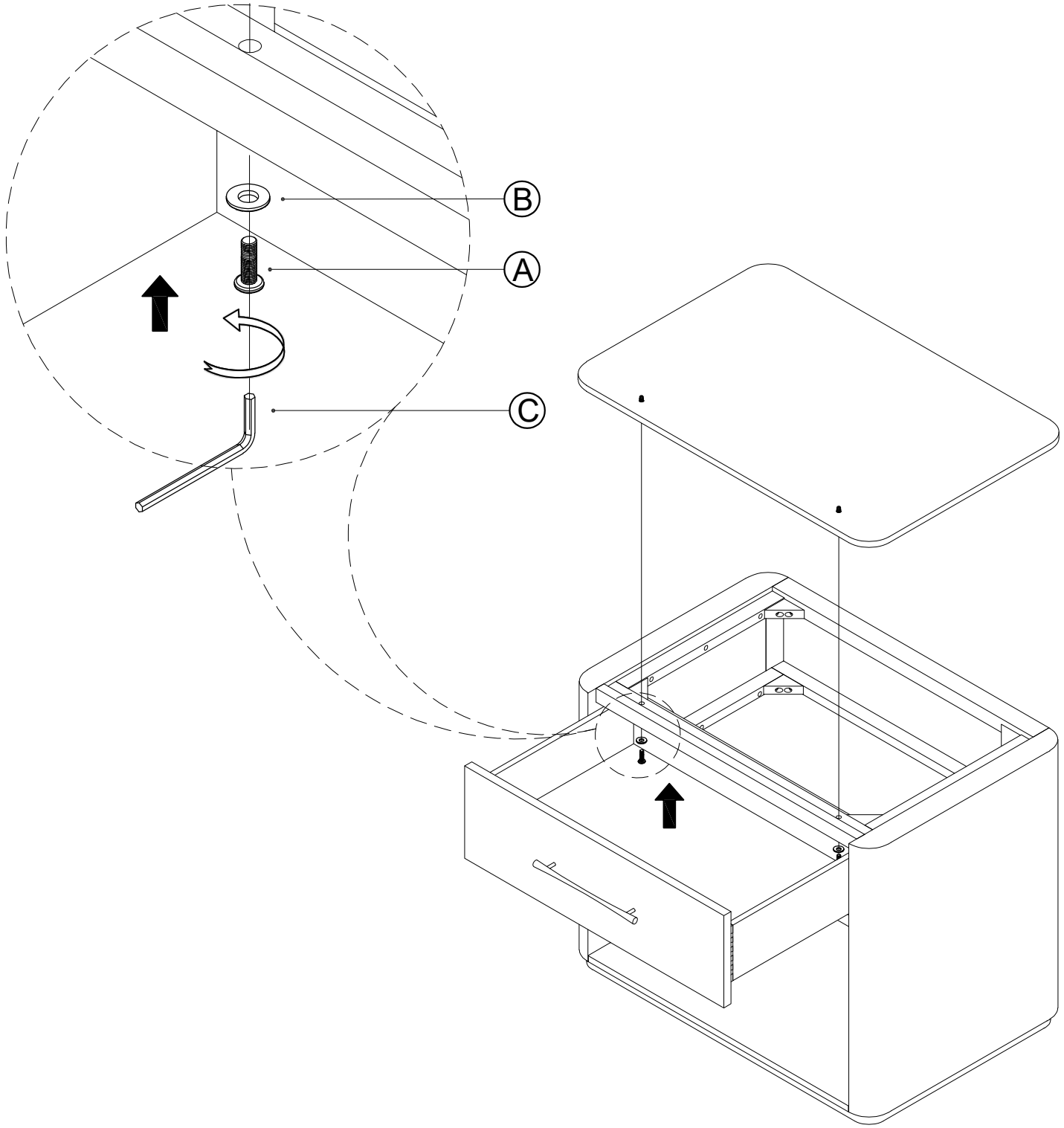
Step 1



Step 2

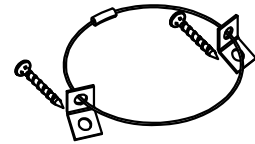


Step 3



Step 4

REMARK: There is a tip restraint kit provided on the back of this product please read the direction thoroughly and install immediately



Tipping Hardware

