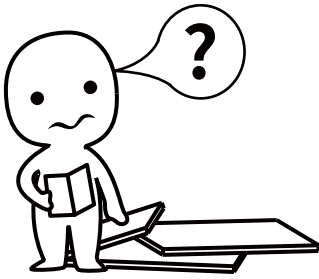


# **INSTALLATION**

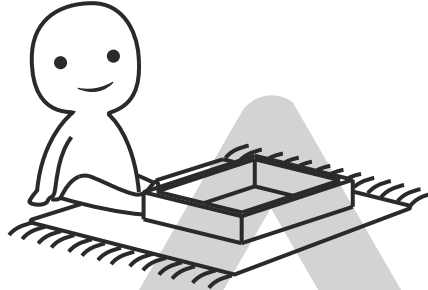
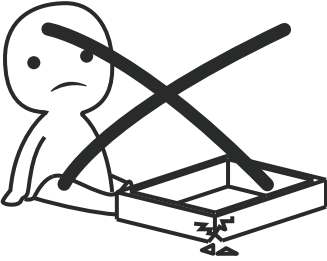
## *Product Manual*

Version: 390138US-01-25A-YL



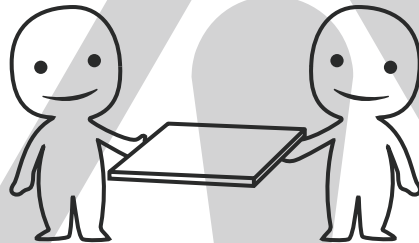
### **IMPORTANT INFORMATION!**

please read the entire manual before starting to assemble and/or using this product. follow the manual thoroughly and keep it for further reference.



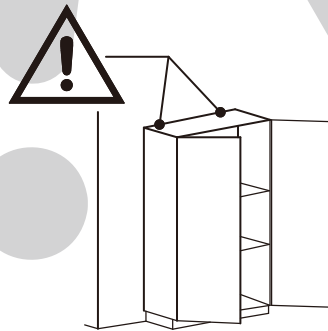
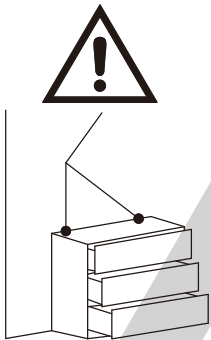
### **AVOID SCRATCHES!**

In order to avoid scratching this furniture should be assembled on a soft layer - could be a rug.



### **IMPROVE EFFICIENCY !**

Try to find a partner to install with you, which can speed up the installation efficiency and shorten the time.



### **ANTI-TOPPLE WARNING !**

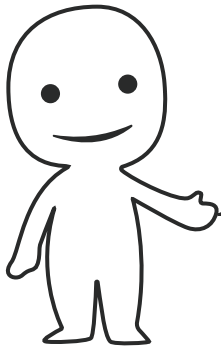
Overturned furniture can cause serious or fatal crush injuries. To prevent tipping over, be sure to use the wall attachment, if not included with this product. Please purchase the wall attachment that fit your wall. If unsure, seek professional advice. Please read and follow each step of the instructions carefully.

### **IMPORTANT !**

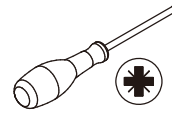
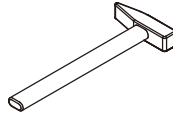
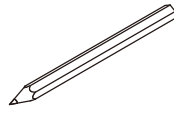
It is important that any product which is assembled using any kind of screw is re-tightened 2 weeks after assembly, and once every 3 months - in order to assure stability through-out the lifespan of the product.

For regular maintenance and cleaning of the product, for the frame, please use a rag dipped in neutral detergent to fully wipe it, and then dry it with a clean rag. For glass materials, wipe with a rag dampened with water glass cleaner, and then dry with a dry rag.

Do not use an electric screwdriver, and do not use too much force when installing, because the board is easy to break.

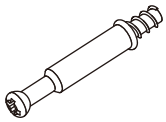


Please prepare the following tools



When installing, please carefully confirm whether each screw corresponds to the manual, accessories with similar shapes can be distinguished by size

A x 140



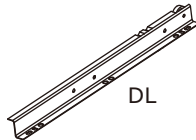
M5 x 40 mm

B x 140



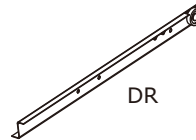
M15 x 10 mm

C x 3



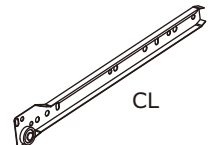
DL

D x 3



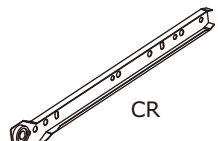
DR

E x 3



CL

F x 3

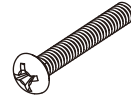


CR

G x 12

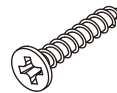


H x 6



M4 x 20 mm

I x 27



M3.5 x 25 mm

J x 12



M4 x 10 mm

K x 48

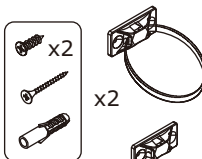


L x 132



M3 x 12 mm

M x 2

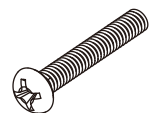


x2

N x 6



O x 6



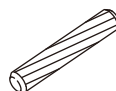
M4 x 20 mm

P x 96



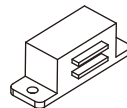
M3 x 14 mm

Q x 50



M6 x 30 mm

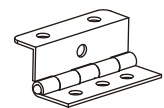
R x 6



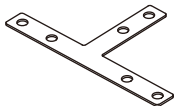
S x 6

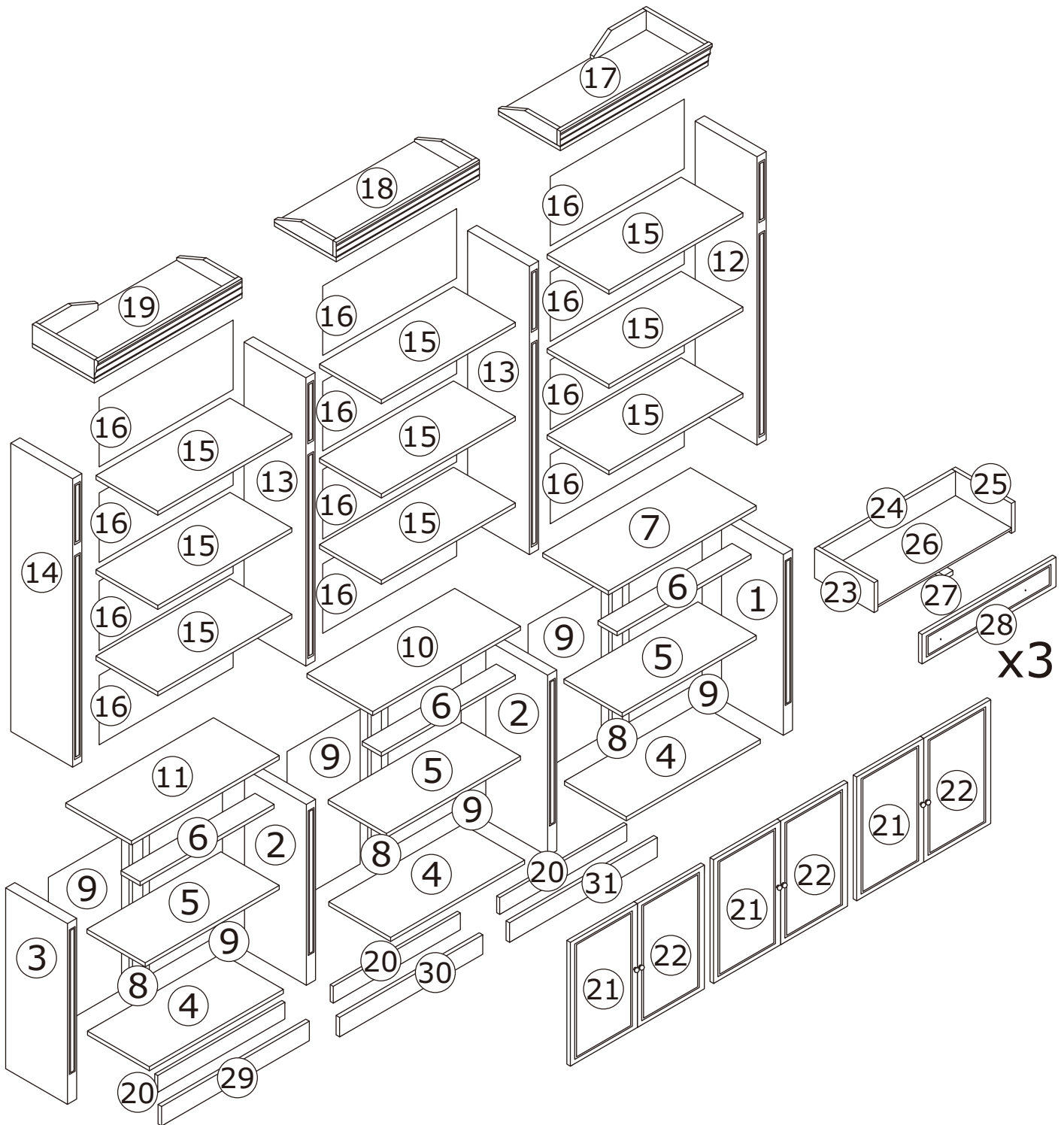


T x 12



U x 4





## ⚠ WARNING

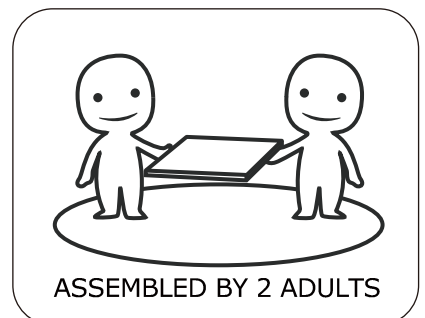


Children have died from furniture tipover. To reduce the risk of furniture tipover:

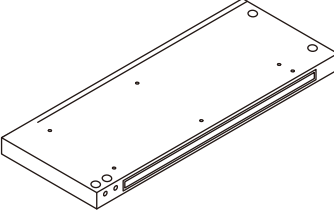
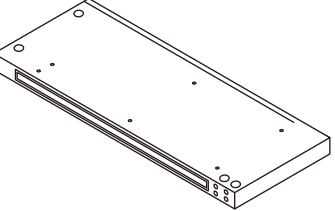
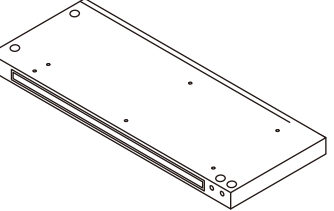
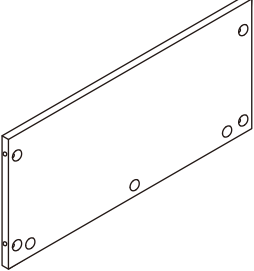
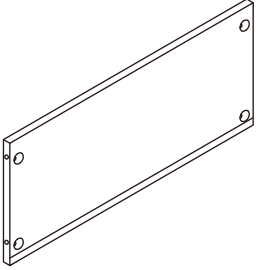
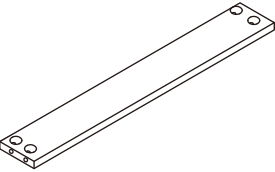
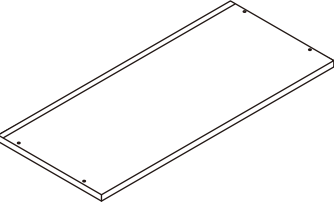

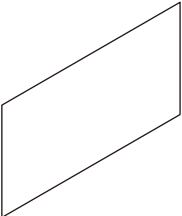
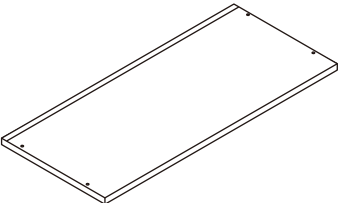
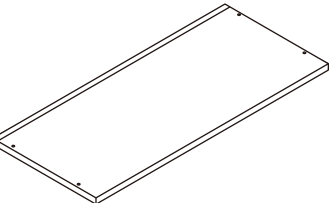
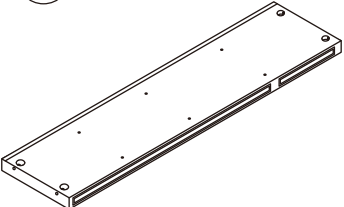
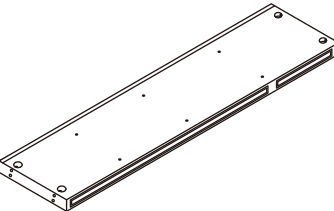
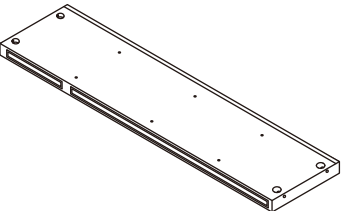
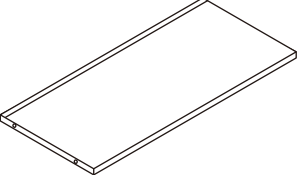
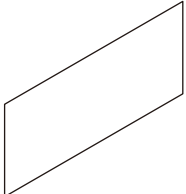
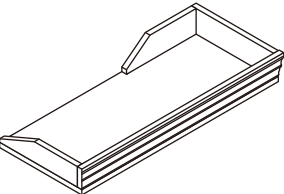
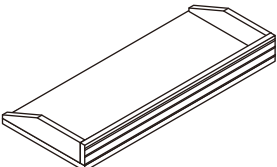
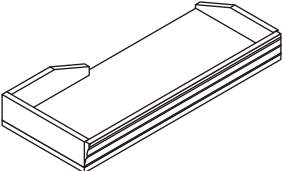
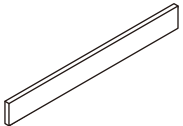
- ALWAYS install Anti-tip device provided.
- NEVER put a TV on this product.
- NEVER allow children to stand, climb or hang on drawers, doors, or shelves.
- NEVER open more than one drawer at a time.
- Place heaviest items in the lowest drawers.



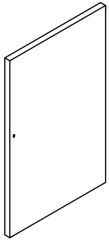
*This is a permanent label.  
Do not remove!*



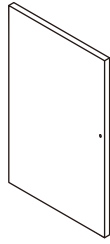
ASSEMBLED BY 2 ADULTS

<p>① x1</p> 	<p>② x2</p> 	<p>③ x1</p> 	<p>④ x3</p> 
<p>⑤ x3</p> 	<p>⑥ x3</p> 	<p>⑦ x1</p> 	<p>⑧ x3</p> 
<p>⑨ x6</p> 	<p>⑩ x1</p> 	<p>⑪ x1</p> 	<p>⑫ x1</p> 
<p>⑬ x2</p> 	<p>⑭ x1</p> 	<p>⑮ x9</p> 	<p>⑯ x12</p> 
<p>⑰ x1</p> 	<p>⑱ x1</p> 	<p>⑲ x1</p> 	<p>⑳ x3</p> 
<p>5/53</p>			

21 x3



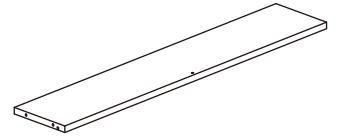
22 x3



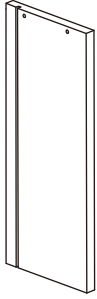
23 x3



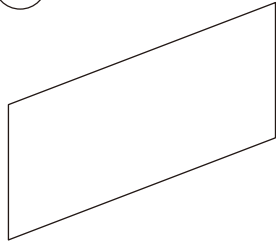
24 x3



25 x3



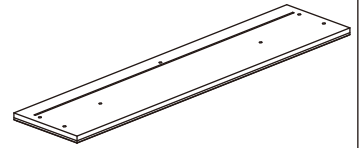
26 x3



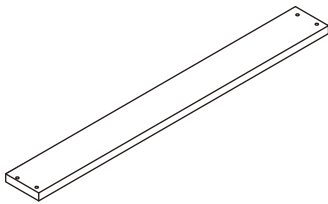
27 x3



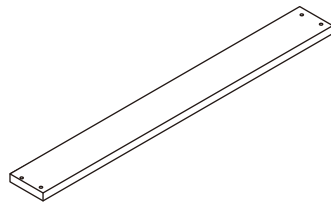
28 x3



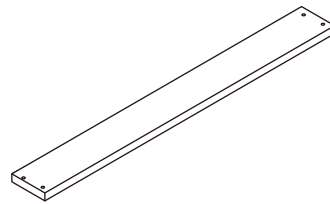
29 x1



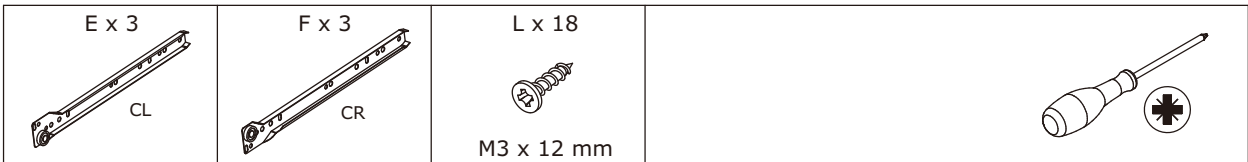
30 x1



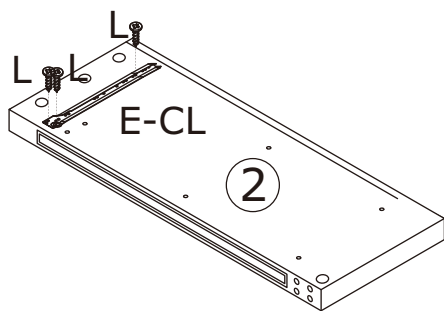
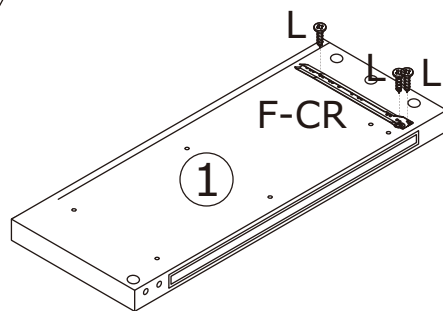
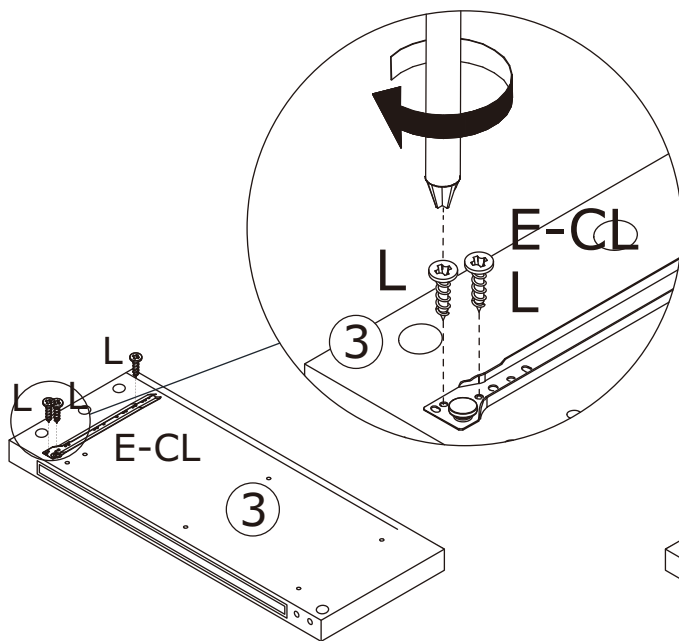
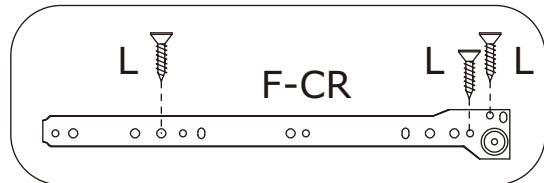
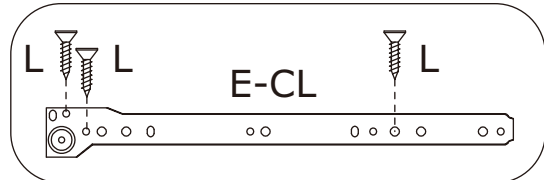
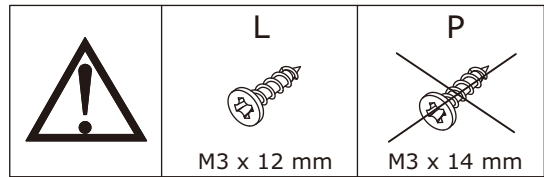
31 x1



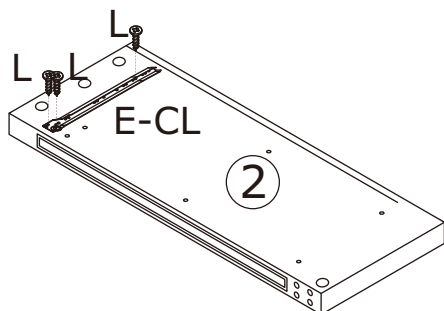
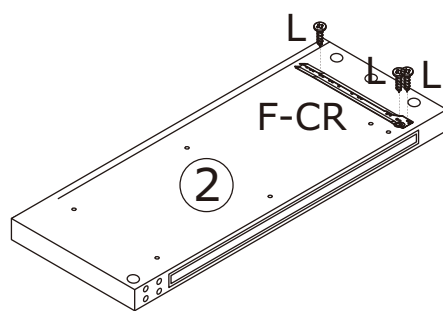

1



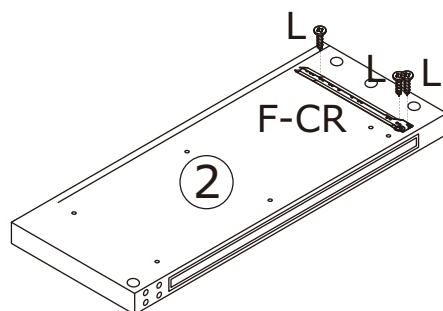
Secure parts (E) and (F) to plates 3, 1, and 2 with screws (L) as shown in the figure.



180°

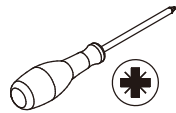


180°

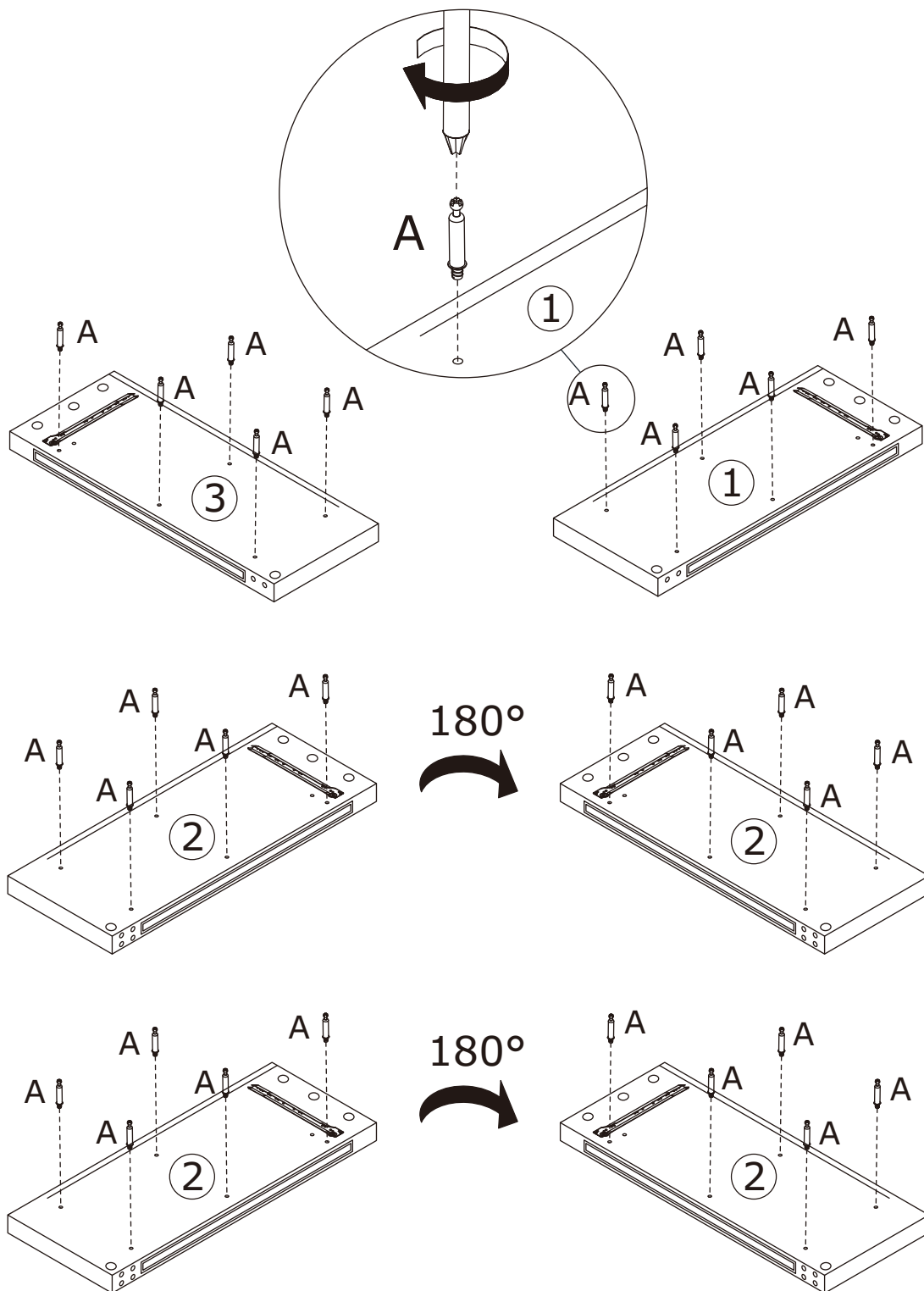
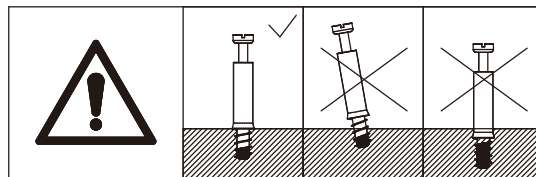


2

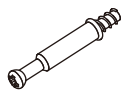

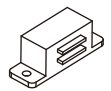
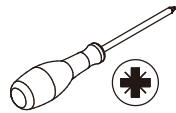
A x 30  
M5 x 40 mm



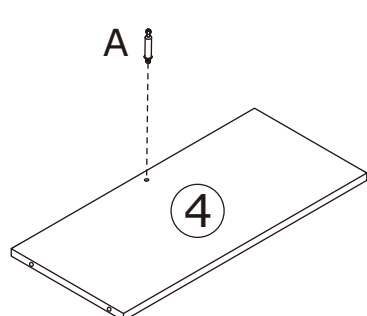
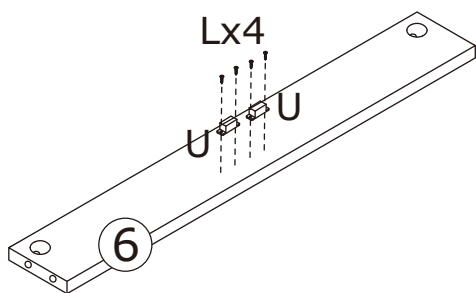
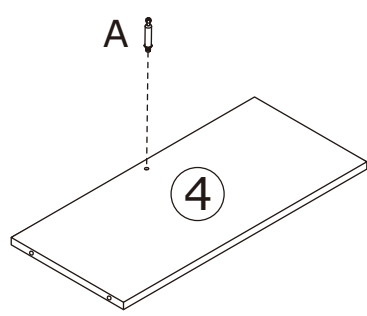
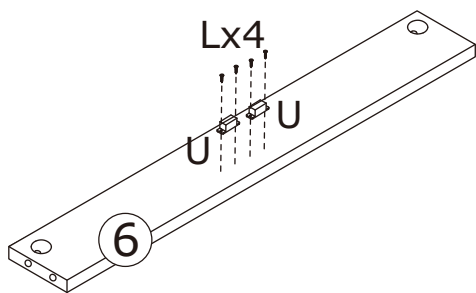
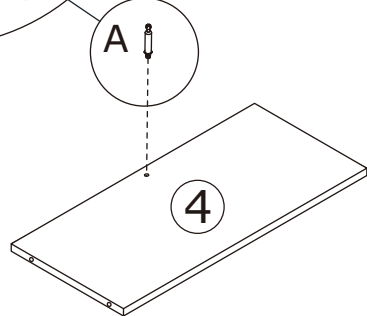
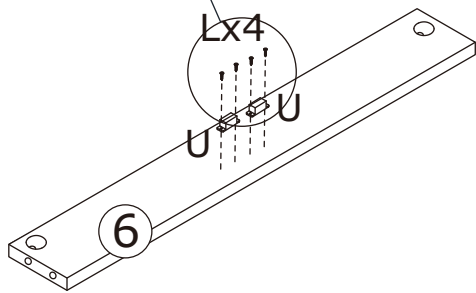
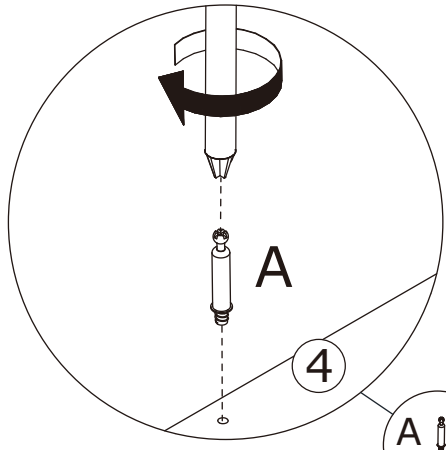
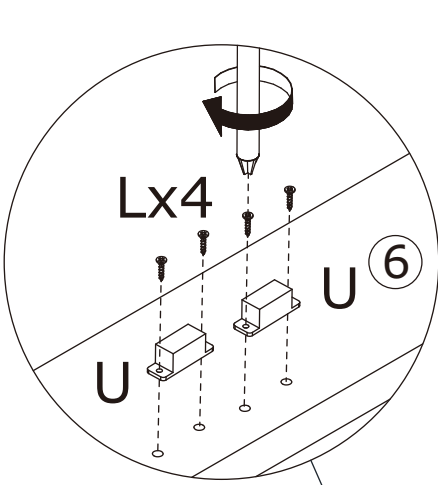
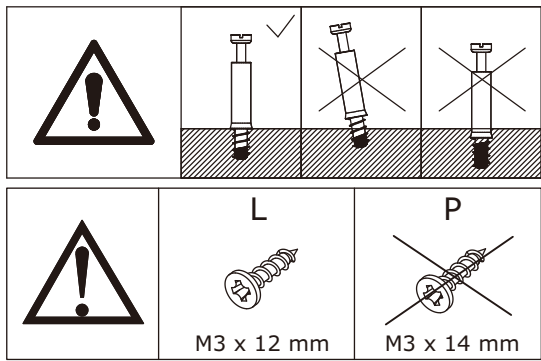
Install screw (A) onto plates 3, 1, and 2 as shown in the figure.



3

A x 3  M5 x 40 mm	L x 12  M3 x 12 mm	U x 6 	
--	---	--	---

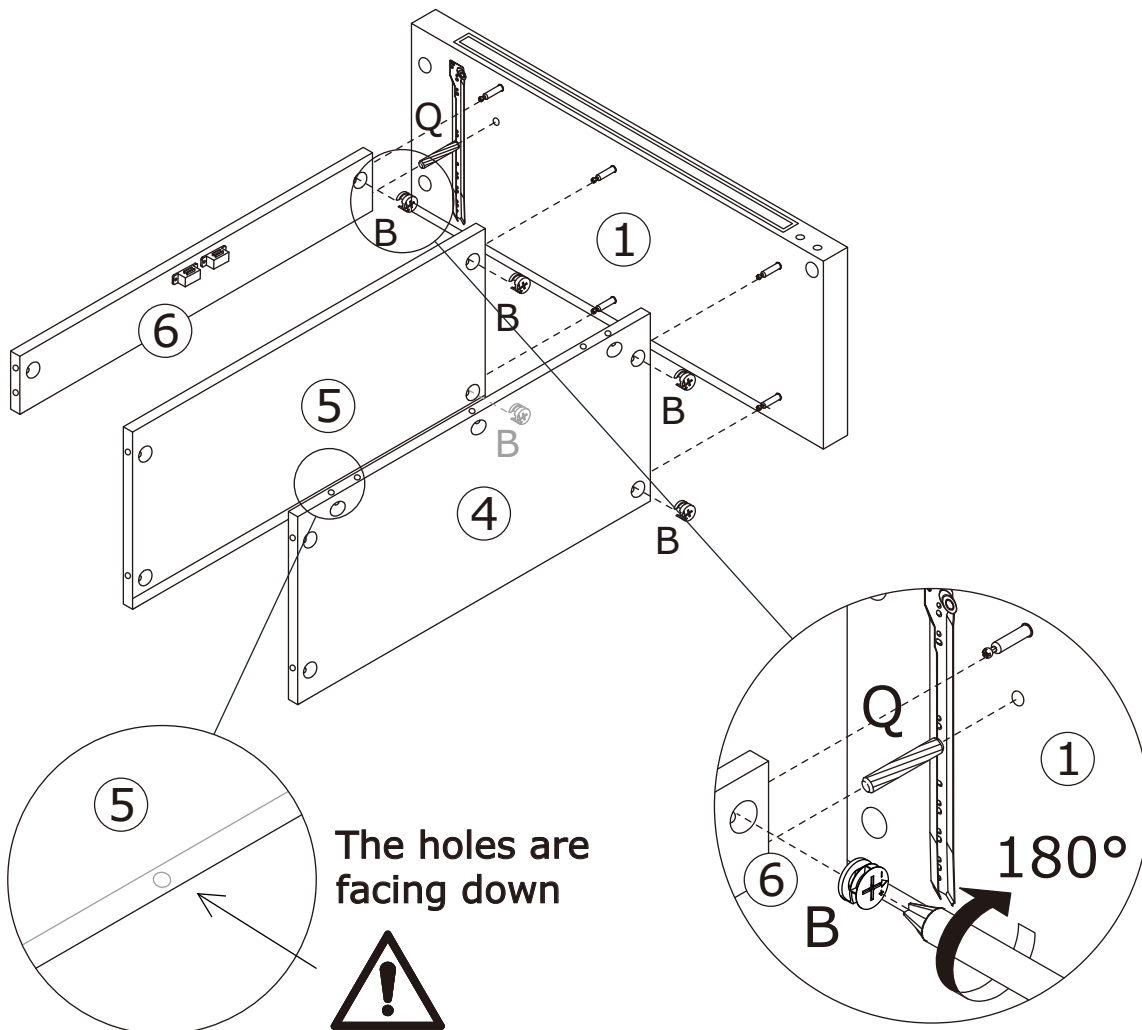
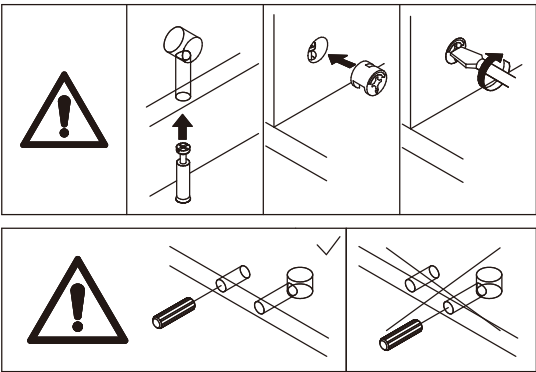
Secure the accessory (U) to plate 6 with screws (L) and install the screw rod (A) on plate 4 as shown in the figure.



4

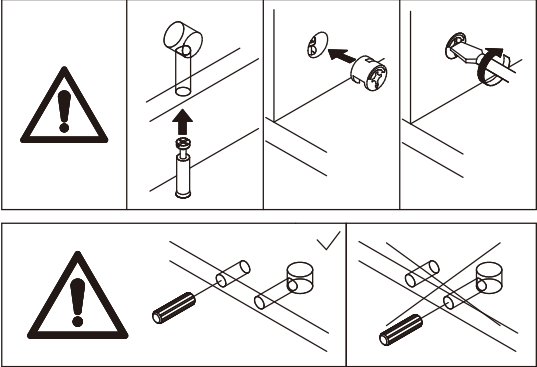
B x 5  M15 x 10 mm	Q x 1  M6 x 30 mm	
---	--	---

Use the accessory (Q) to connect plates 1 and 6, install plates 6, 5, and 4 onto plate 1, and secure them with the eccentric wheel (B) as shown in the figure.

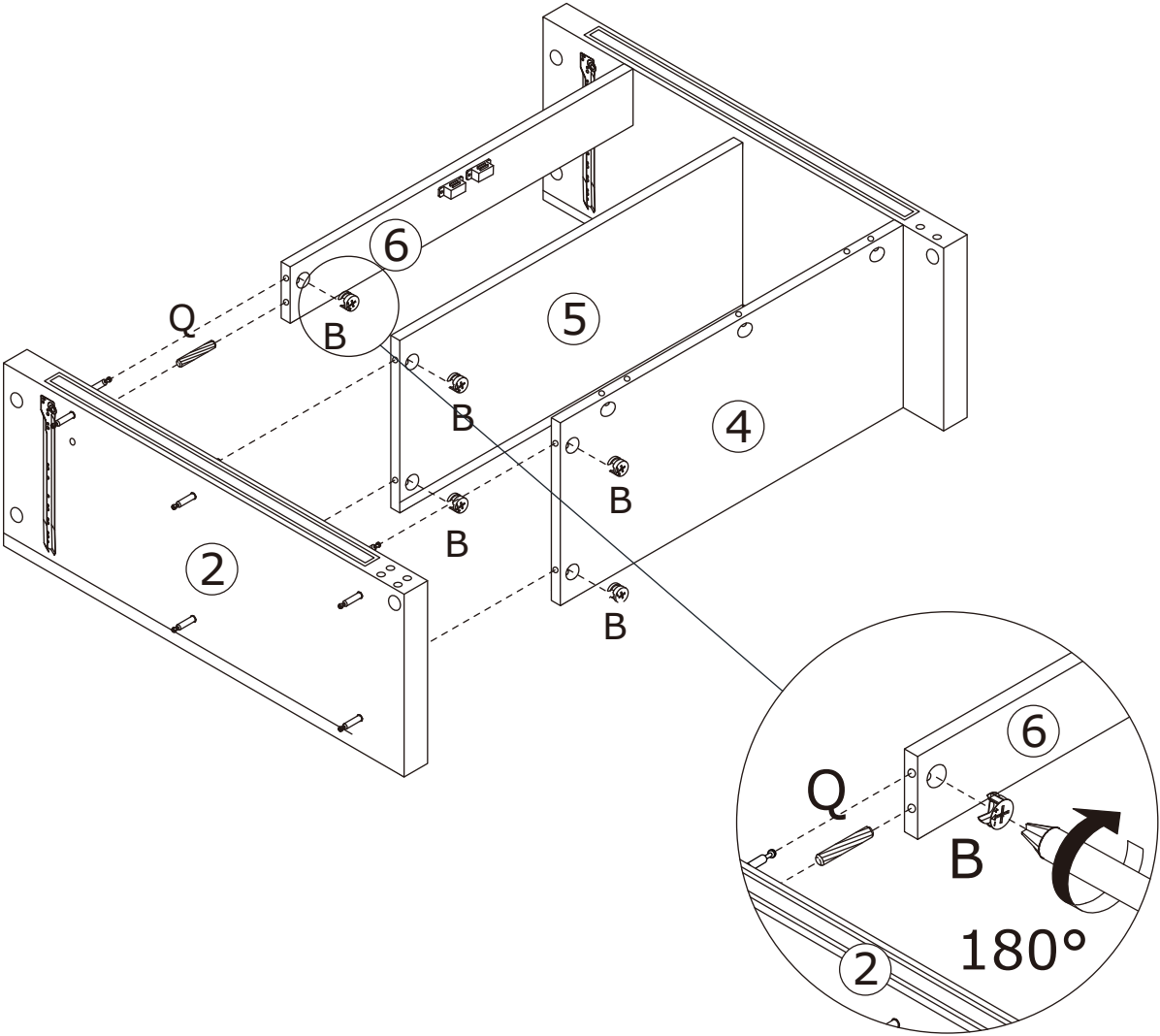


5

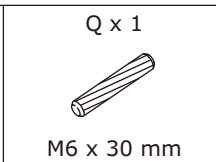
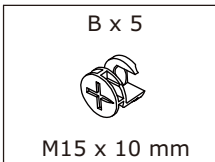
<p>B x 5</p>  <p>M15 x 10 mm</p>	<p>Q x 1</p>  <p>M6 x 30 mm</p>	
---	--	---



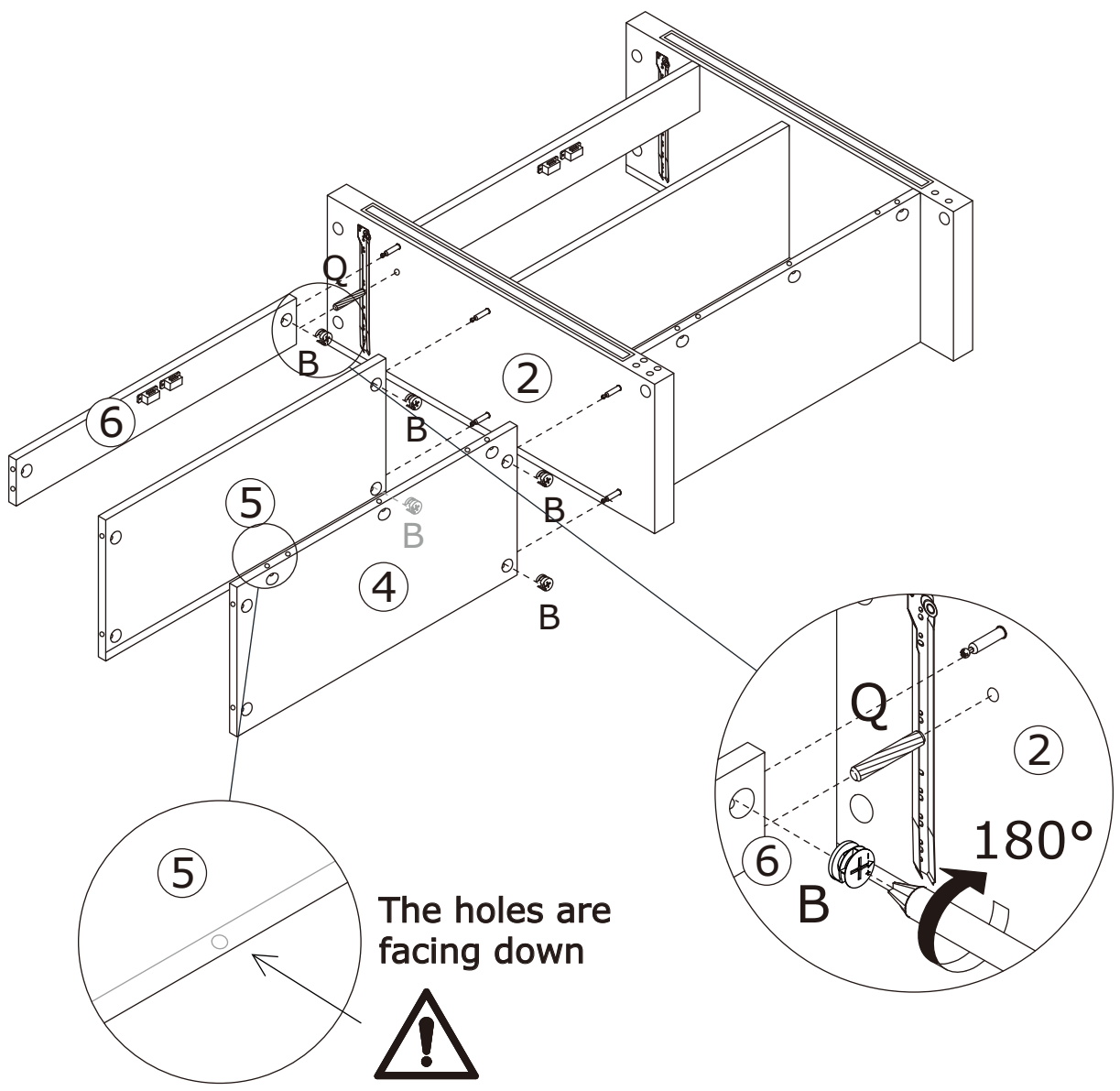
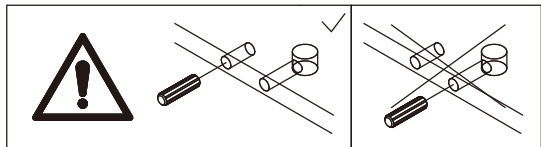
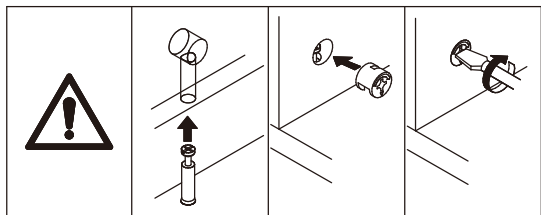
Use the accessory (Q) to connect plate 2 and plate 6, install plate 2 onto plates 6, 5, and 4, and secure it with the eccentric wheel (B) as shown in the figure.



6



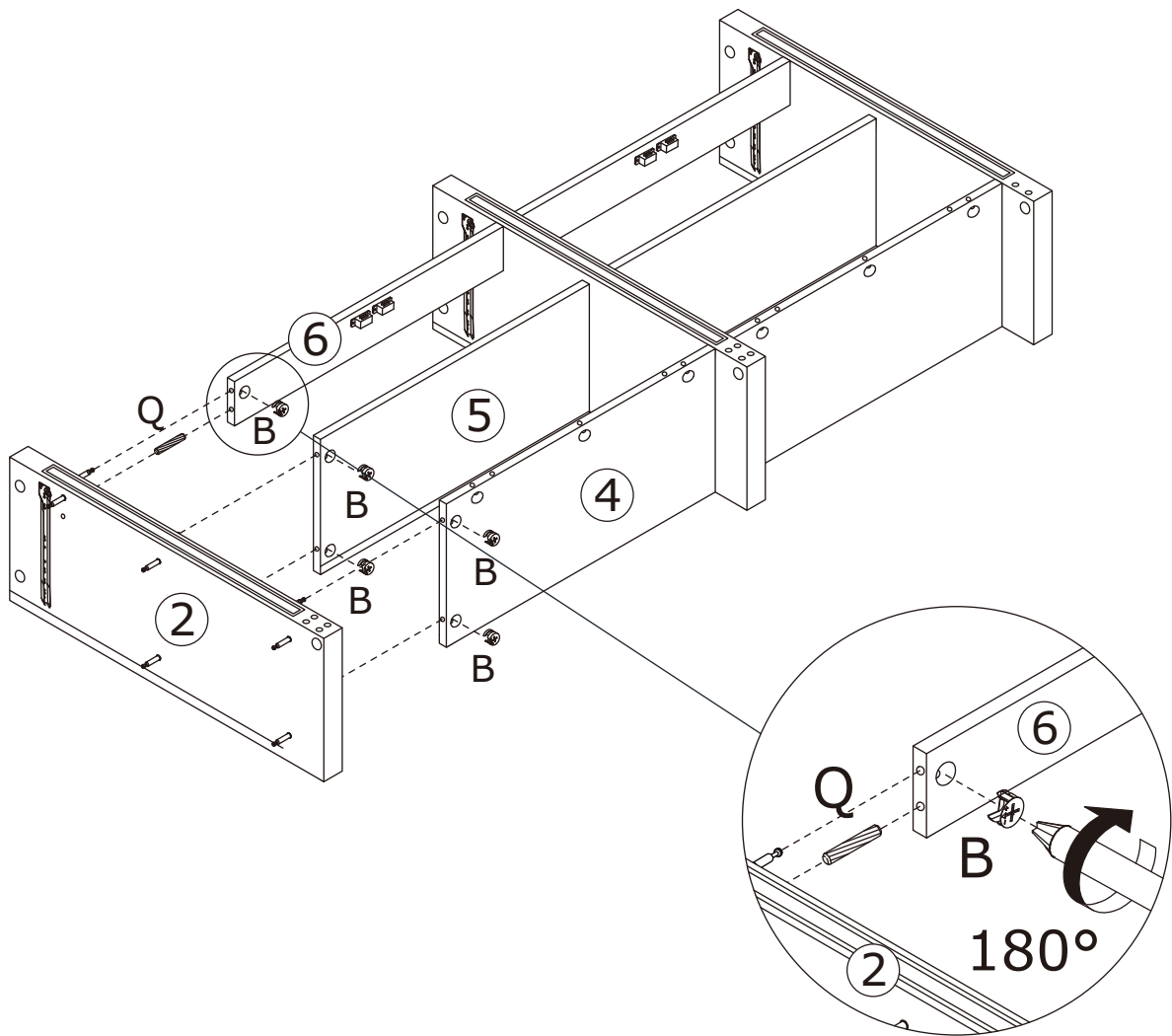
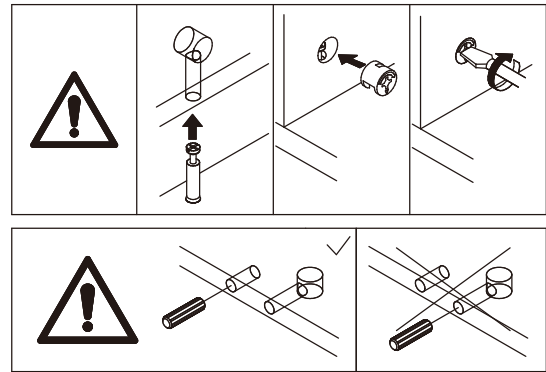
Use the accessory (Q) to connect plate 6 and plate 2 together, install plates 6, 5, and 4 onto plate 2, and secure them with the eccentric wheel (B) as shown in the figure.



7

B x 5  M15 x 10 mm	Q x 1  M6 x 30 mm	
---	--	---

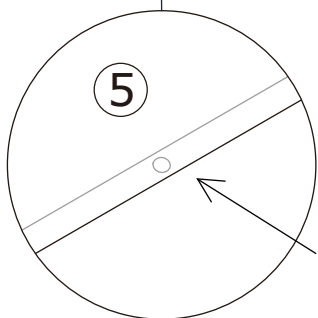
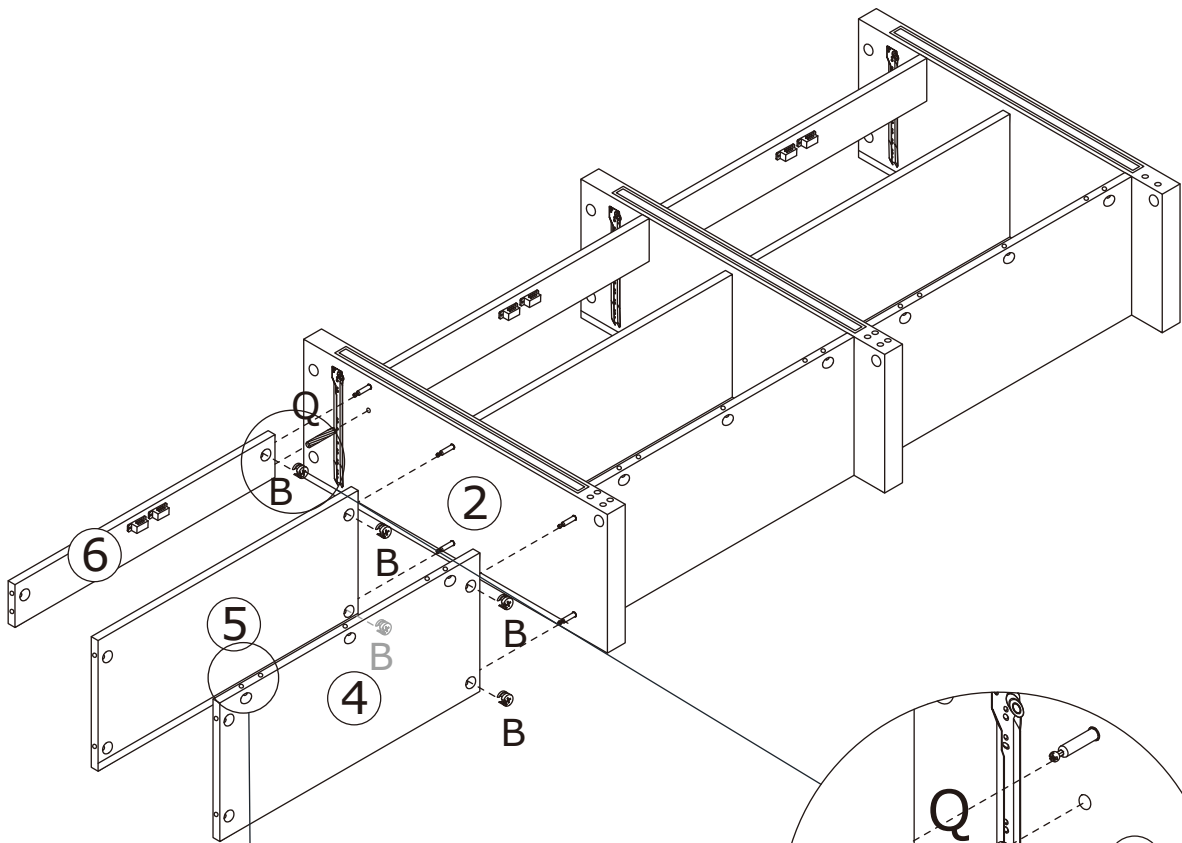
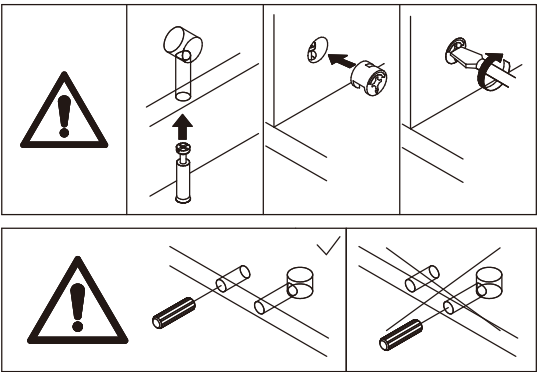
Use the accessory (Q) to connect plate 2 and plate 6, install plate 2 onto plates 6, 5, and 4, and secure it with the eccentric wheel (B) as shown in the figure.



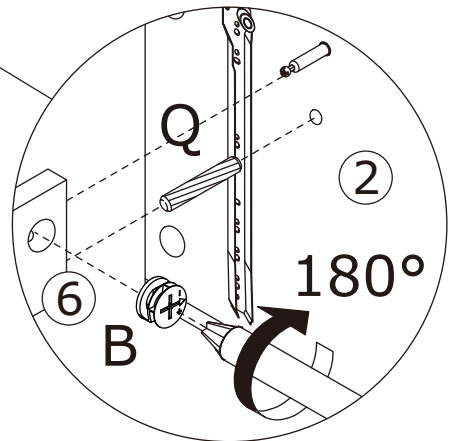
8

<p>B x 5</p> <p>M15 x 10 mm</p>	<p>Q x 1</p> <p>M6 x 30 mm</p>	
---------------------------------	--------------------------------	--

Use the accessory (Q) to connect plate 6 and plate 2, install plates 6, 5, and 4 onto plate 2, and secure them with the eccentric wheel (B) as shown in the figure.



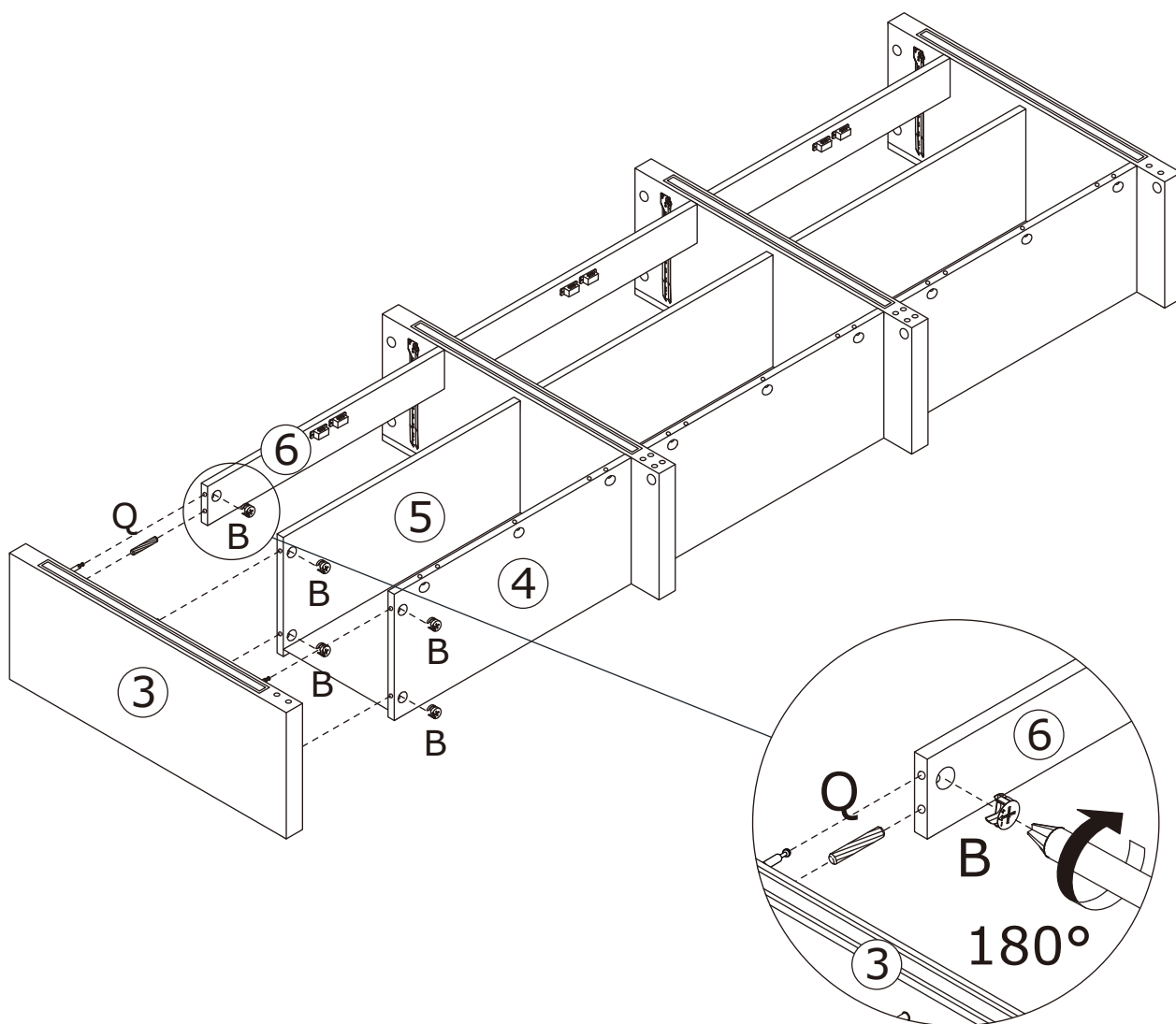
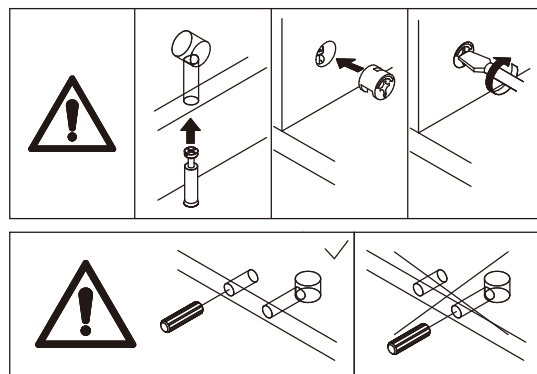
The holes are facing down



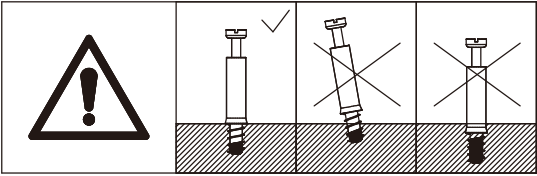
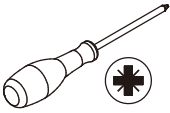
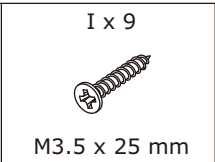
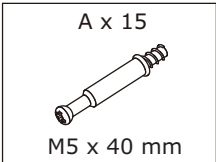
9

<p>B x 5</p>  <p>M15 x 10 mm</p>	<p>Q x 1</p>  <p>M6 x 30 mm</p>	
---	--	---

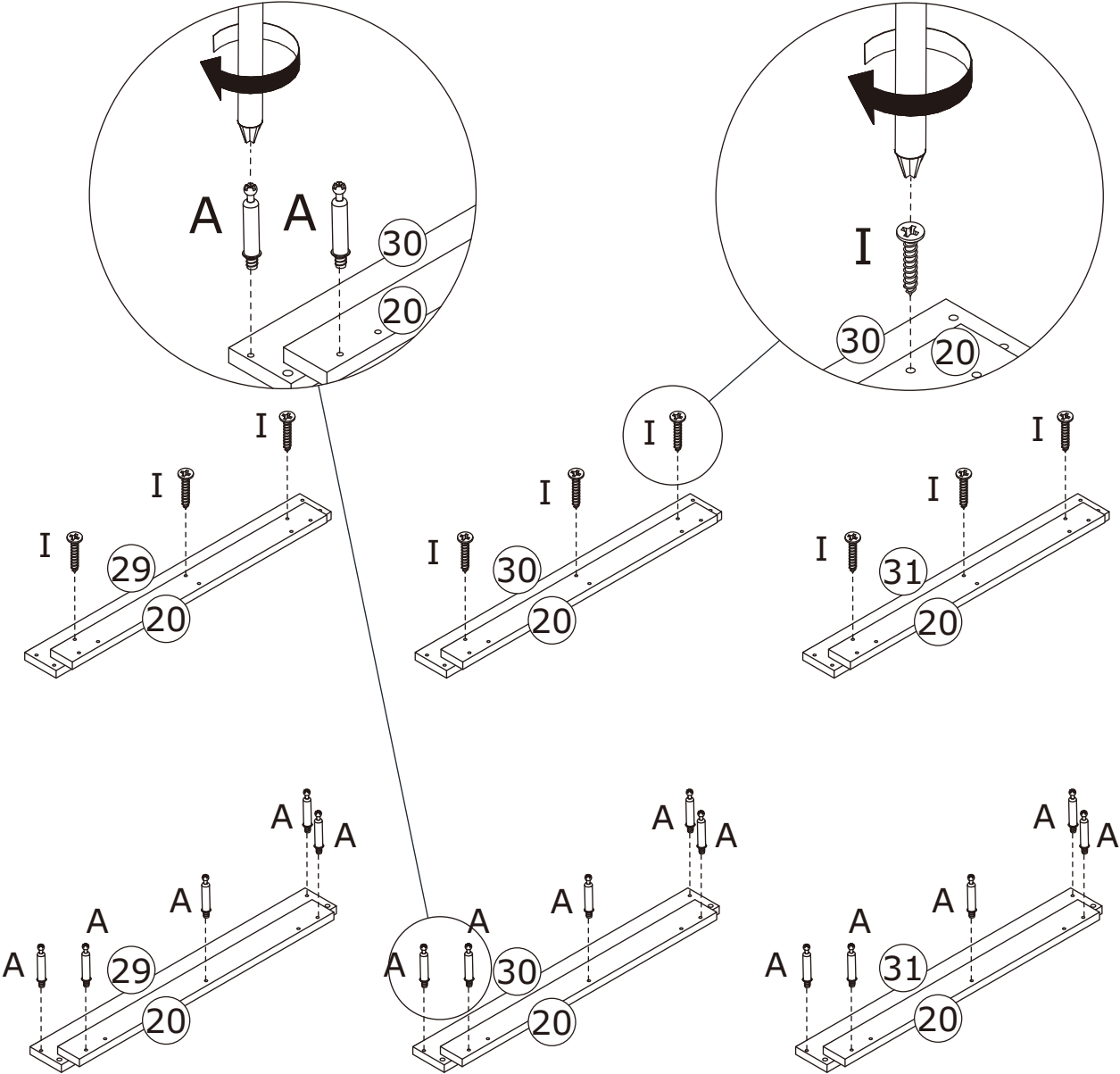
Connect plate 3 and plate 6 with the accessory (Q), install plate 3 on plates 6, 5, and 4, and secure it with the eccentric wheel (B) as shown in the figure.



10



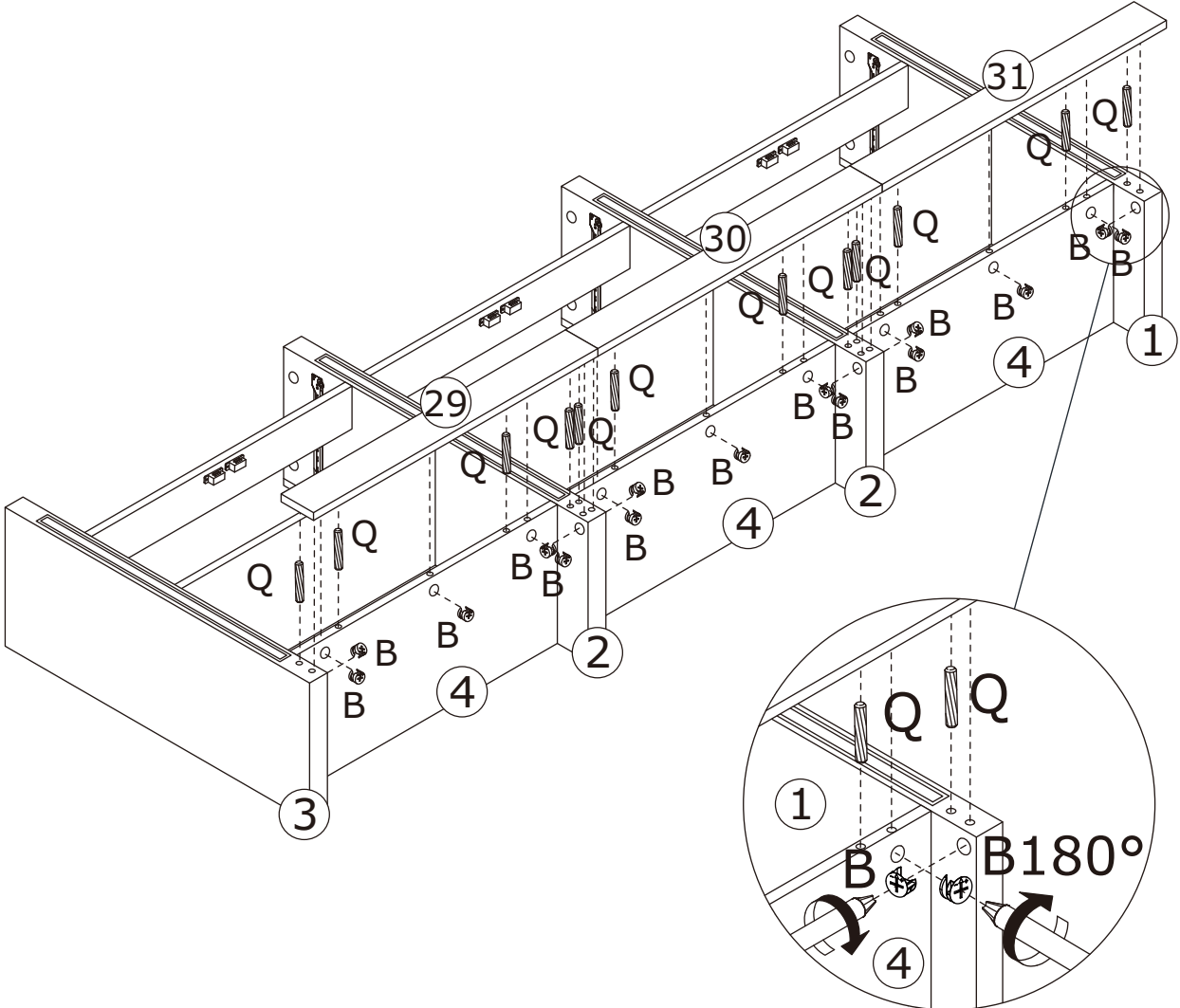
Use screws (I) to install and secure plate 20 to plates 29, 30, and 31, and install screw rods (A) on plates 20, 29, 30, and 31, as shown in the figure.



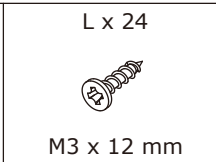
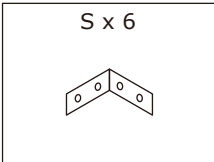
11



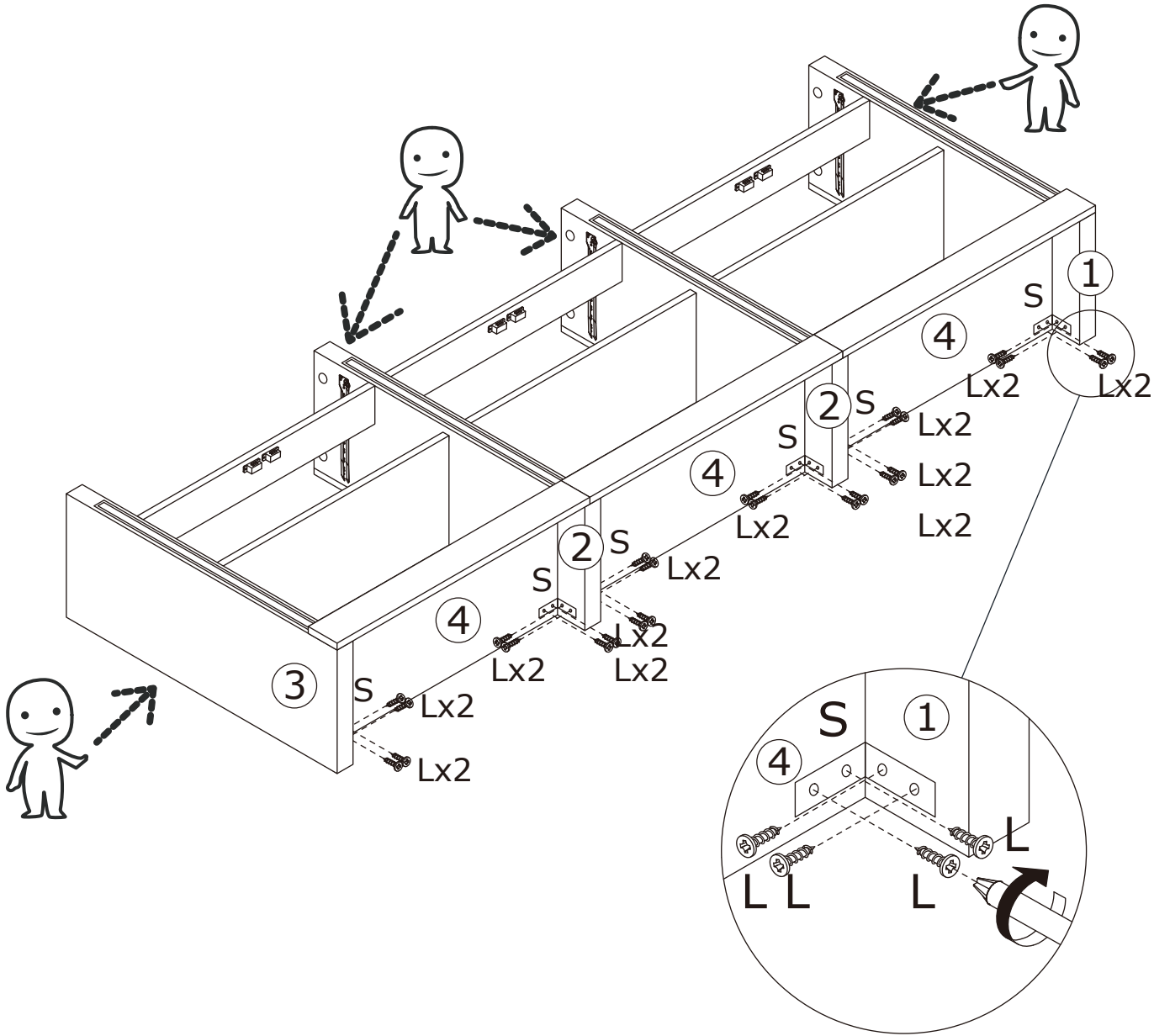
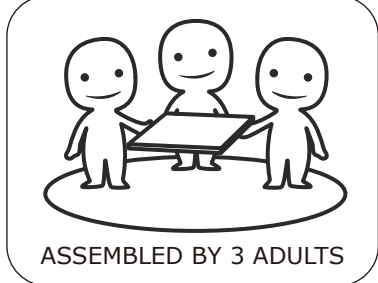
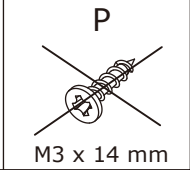
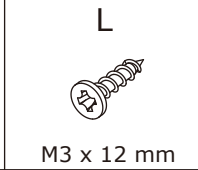
Connect plates 29, 30, and 31 to plates 3, 4, 2, and 1 using accessories (Q), and secure them with eccentric wheels (B) as shown in the figure.



# 12

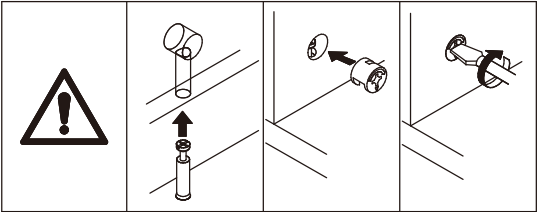
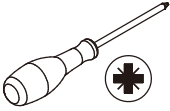


Use screws (L) to install and secure the accessories (S) to plates 3, 4, 2, and 1, as shown in the figure.

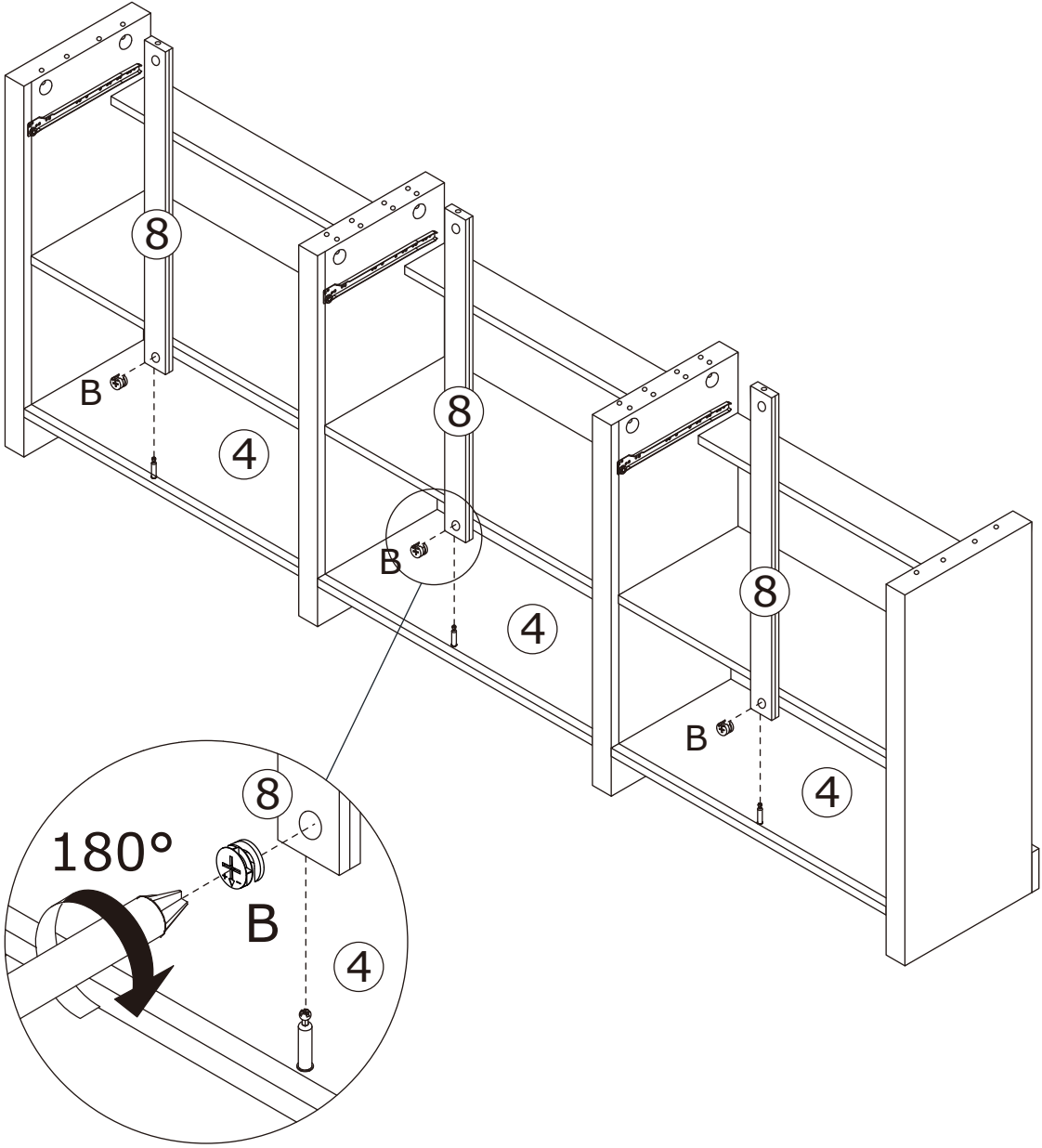


13

B x 3  
M15 x 10 mm

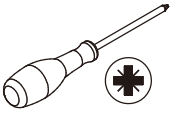


Install plate 8 onto plate 4 and secure it with the eccentric wheel (B) as shown in the figure.

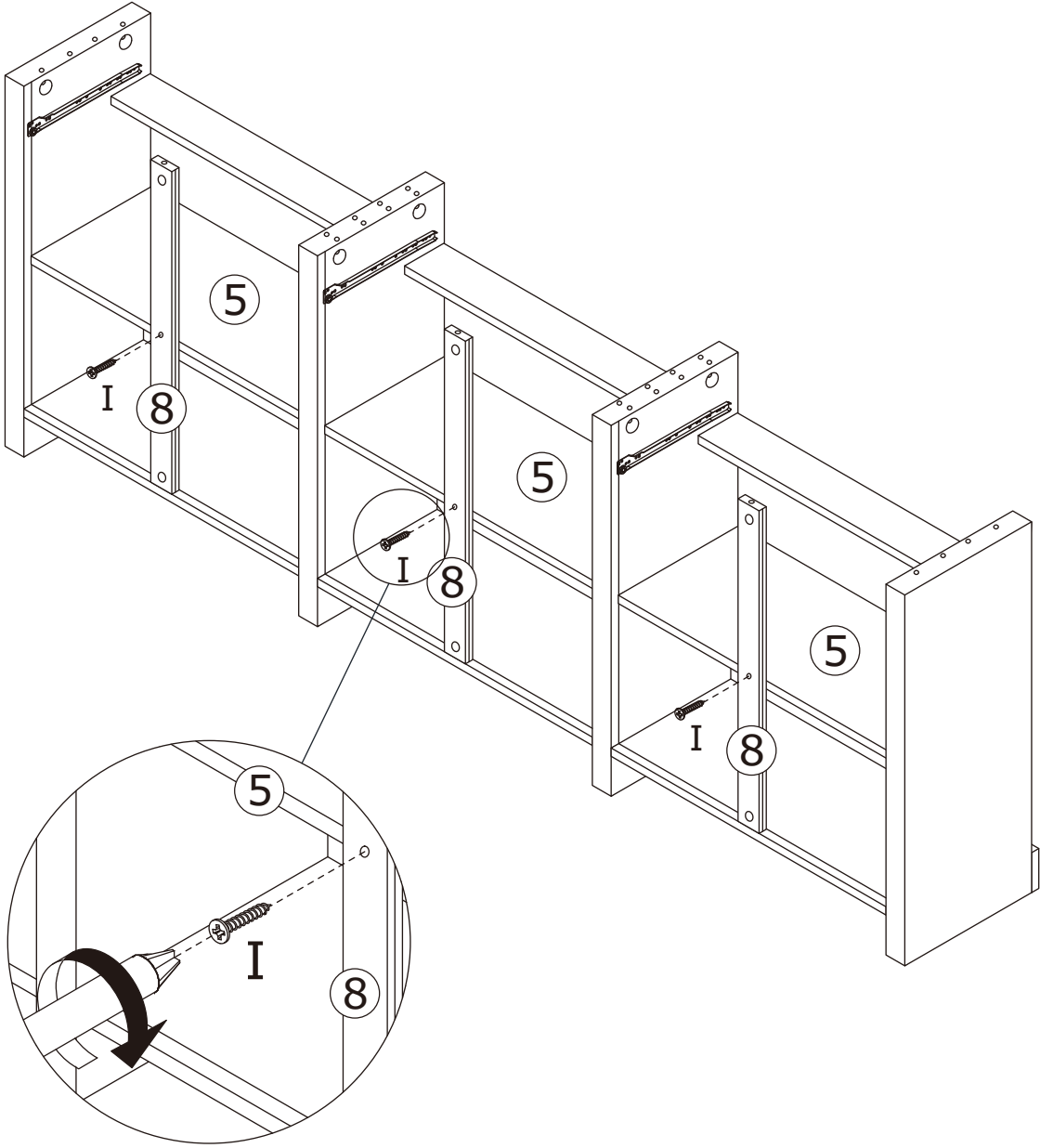


14

I x 3  
M3.5 x 25 mm

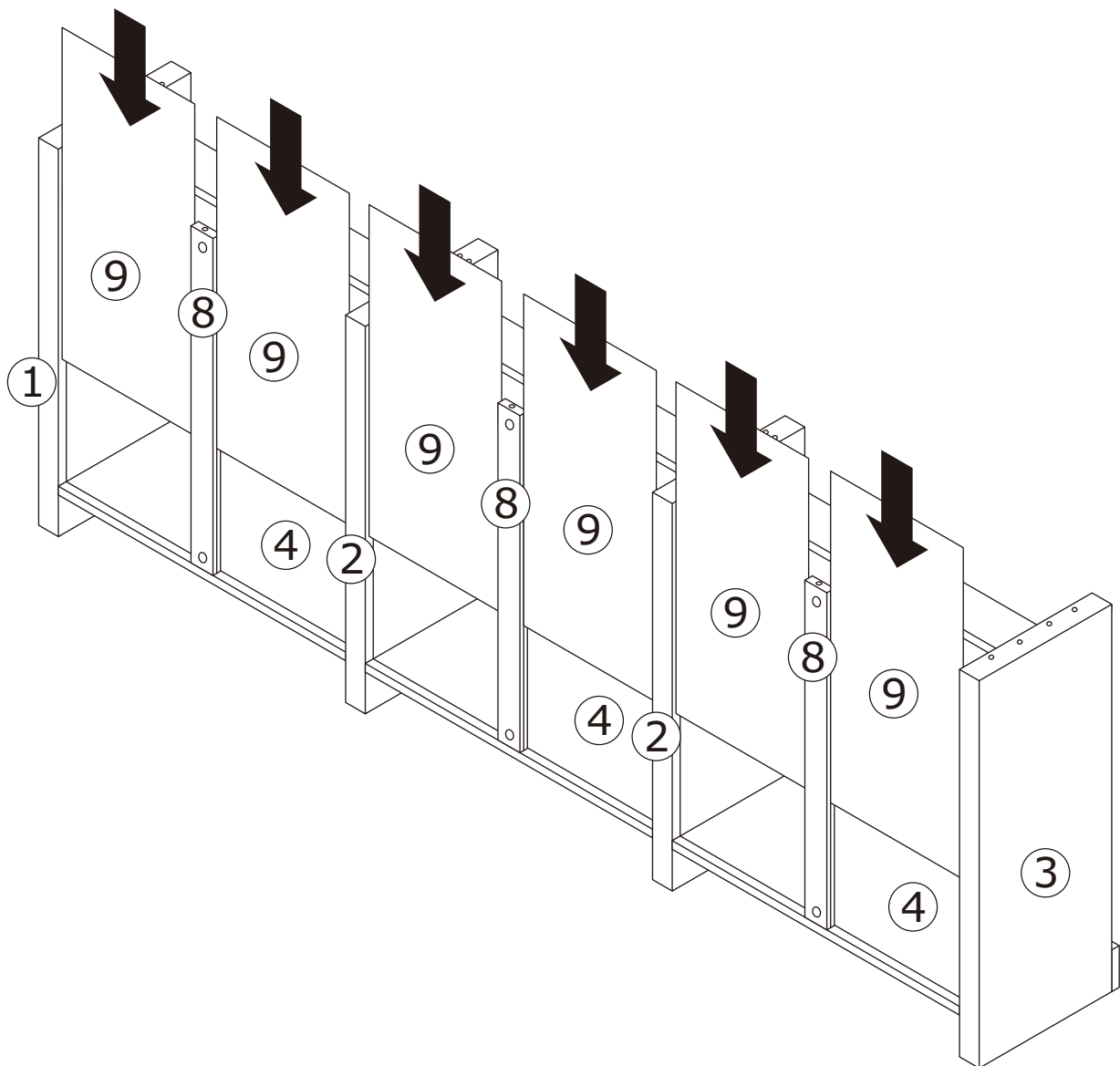


Use screws (I) to secure plate 8 to plate 5 as shown in the figure.

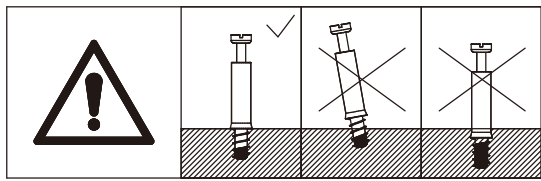
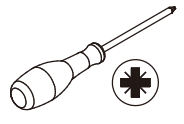
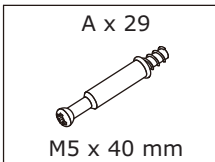


15

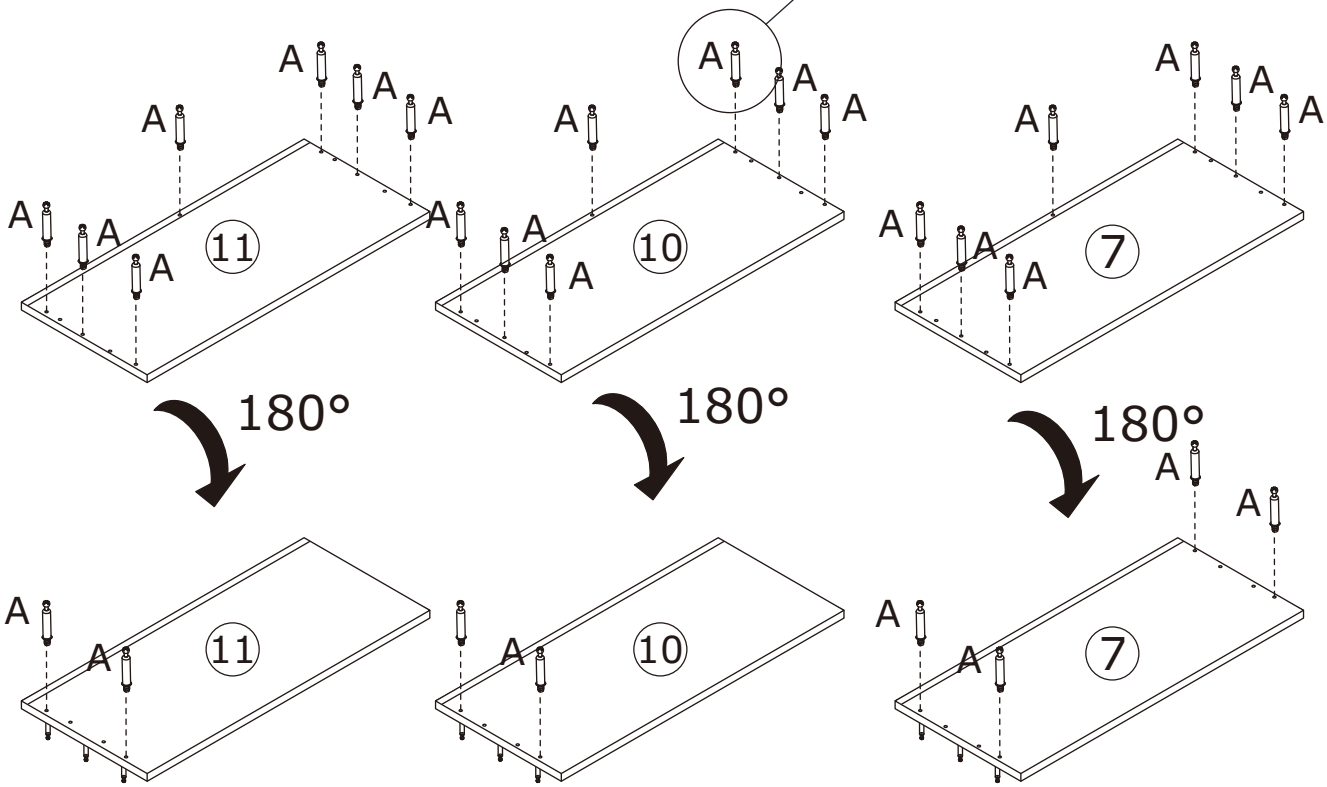
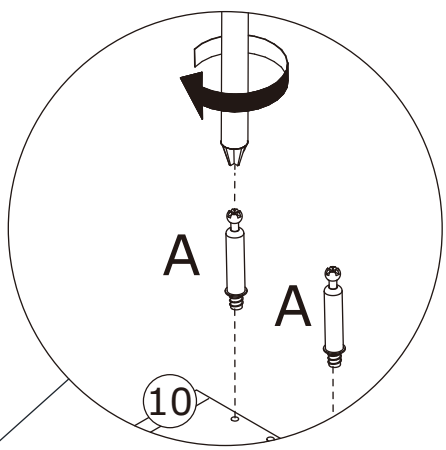
Slide plate 9 into the grooves of plates 1, 4, 8, 2, and 3 as shown in the figure.



# 16



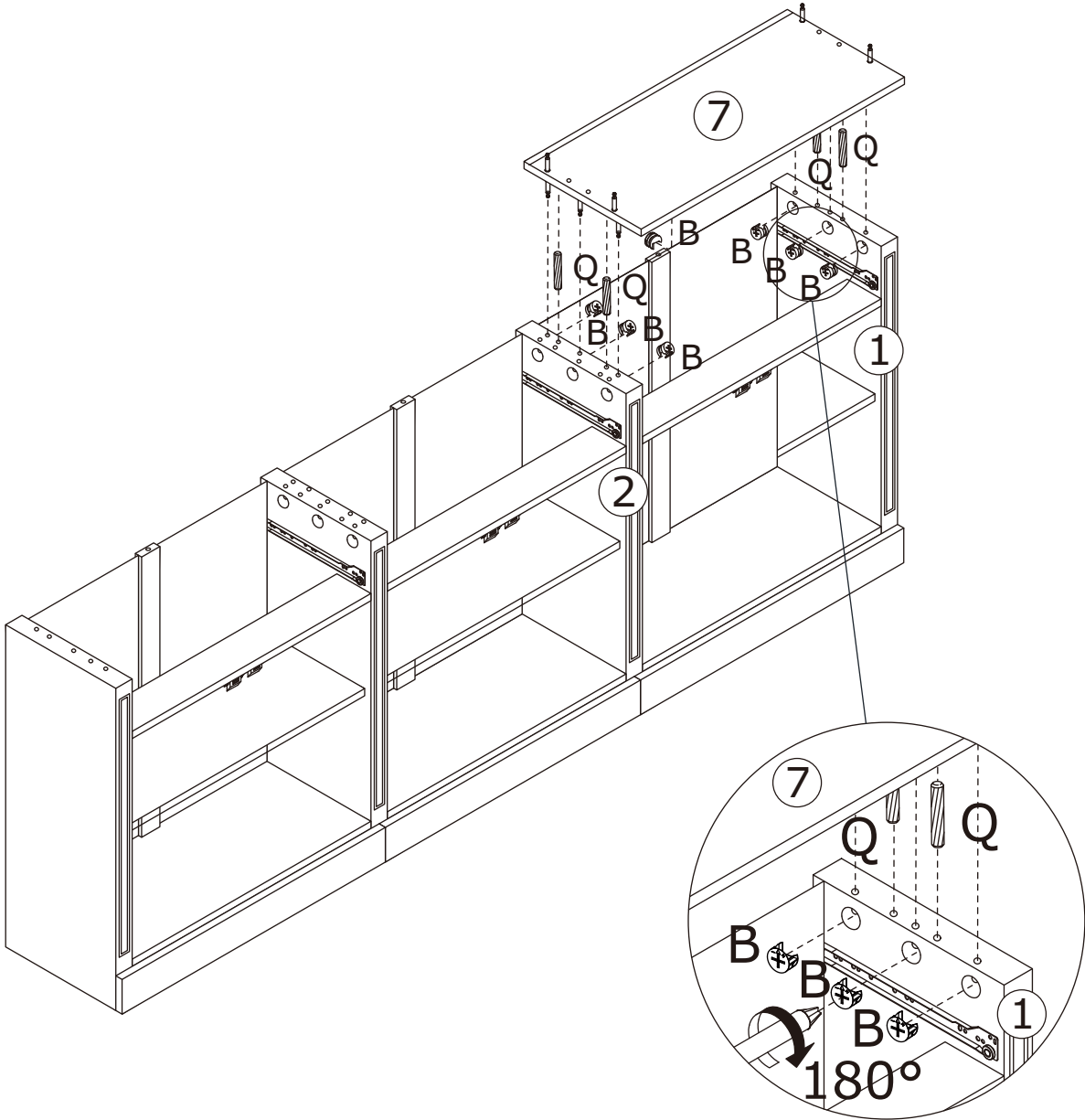
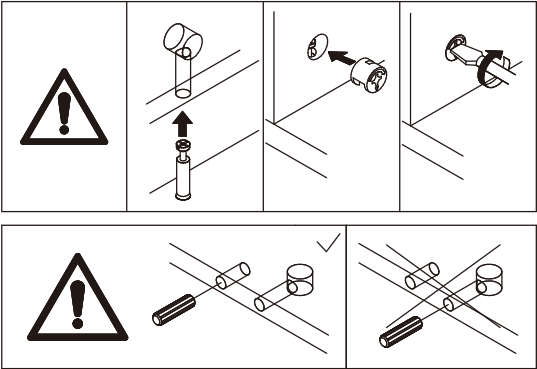
Install screw (A) on plates 11, 10, and 7, flip plates 11, 10, and 7 over, and install screw (A) as shown in the figure.



# 17



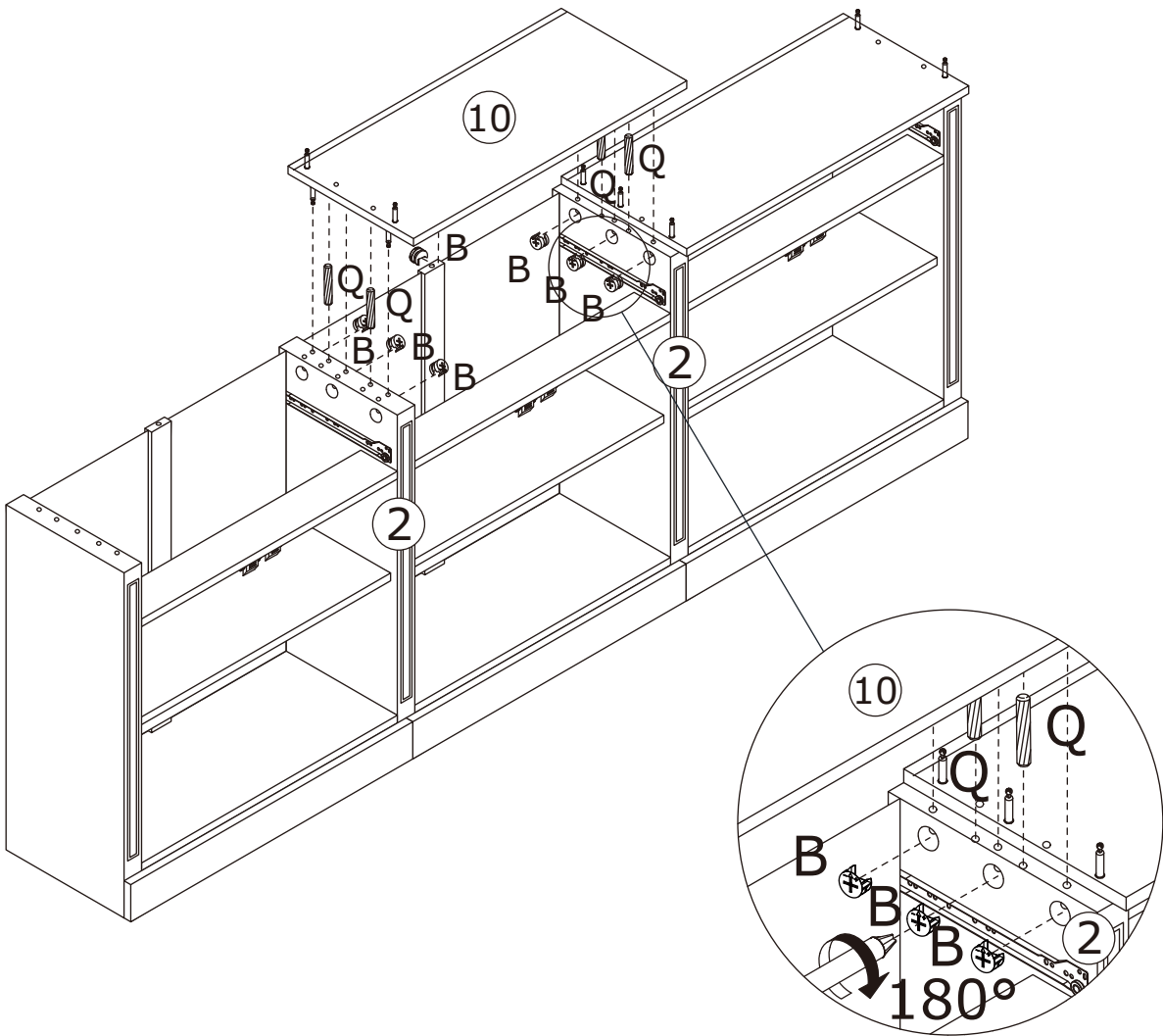
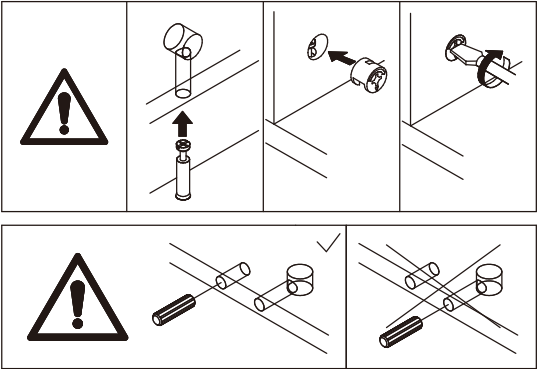
Connect plates 7, 2, and 1 with accessories (Q) and secure them with eccentric wheels (B) as shown in the figure.



18

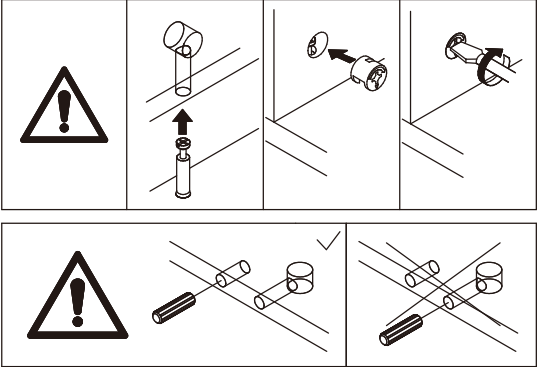


Connect plate 10 and plate 2 with accessories (Q) and fix them with an eccentric wheel (B) as shown in the figure.

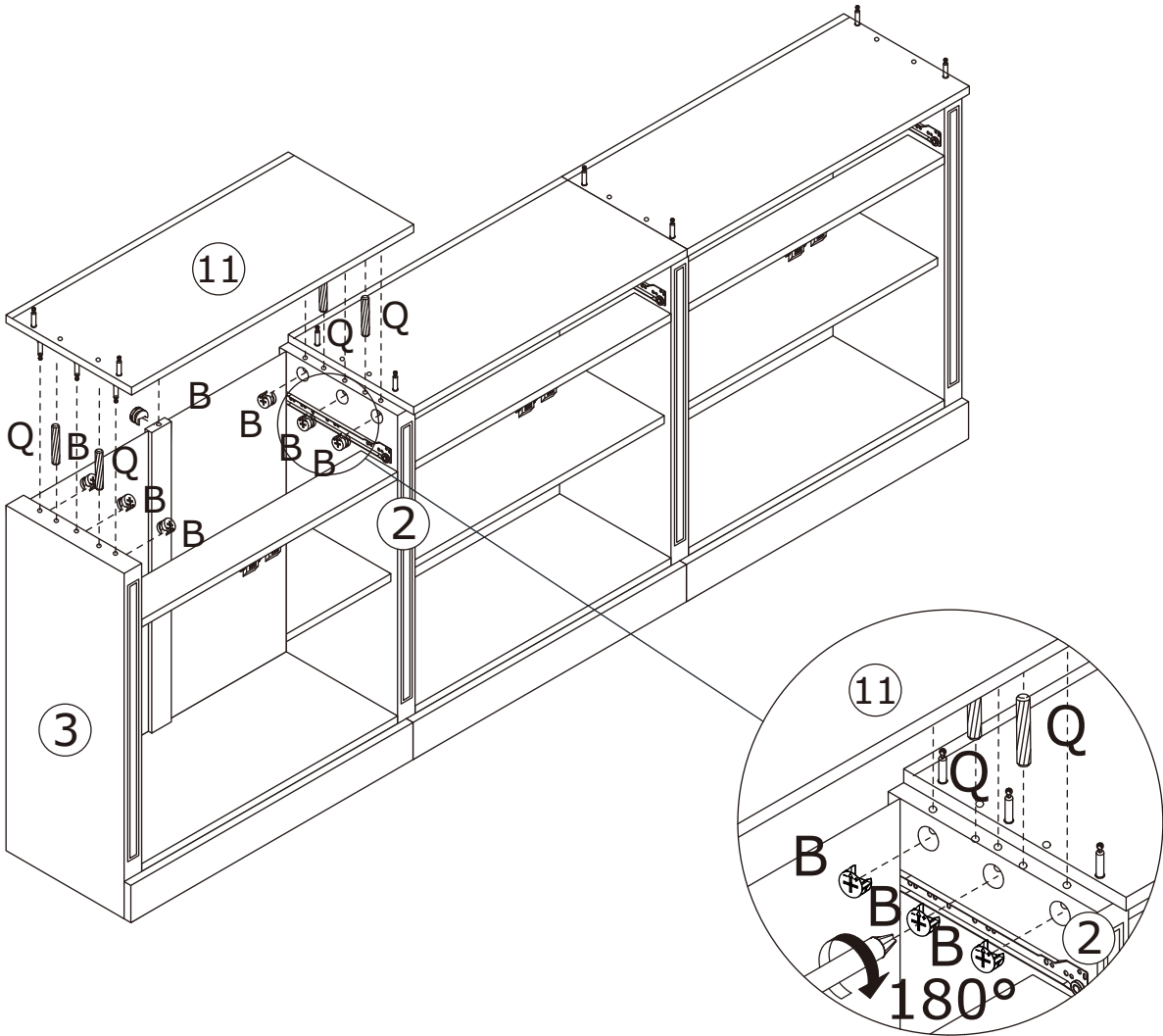


19

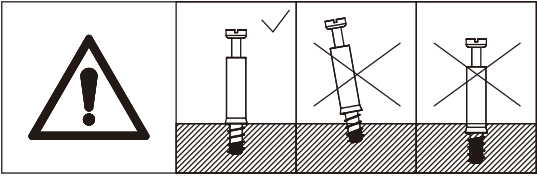
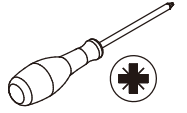
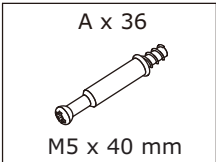
<p>B x 7</p>  <p>M15 x 10 mm</p>	<p>Q x 4</p>  <p>M6 x 30 mm</p>	
---	--	---



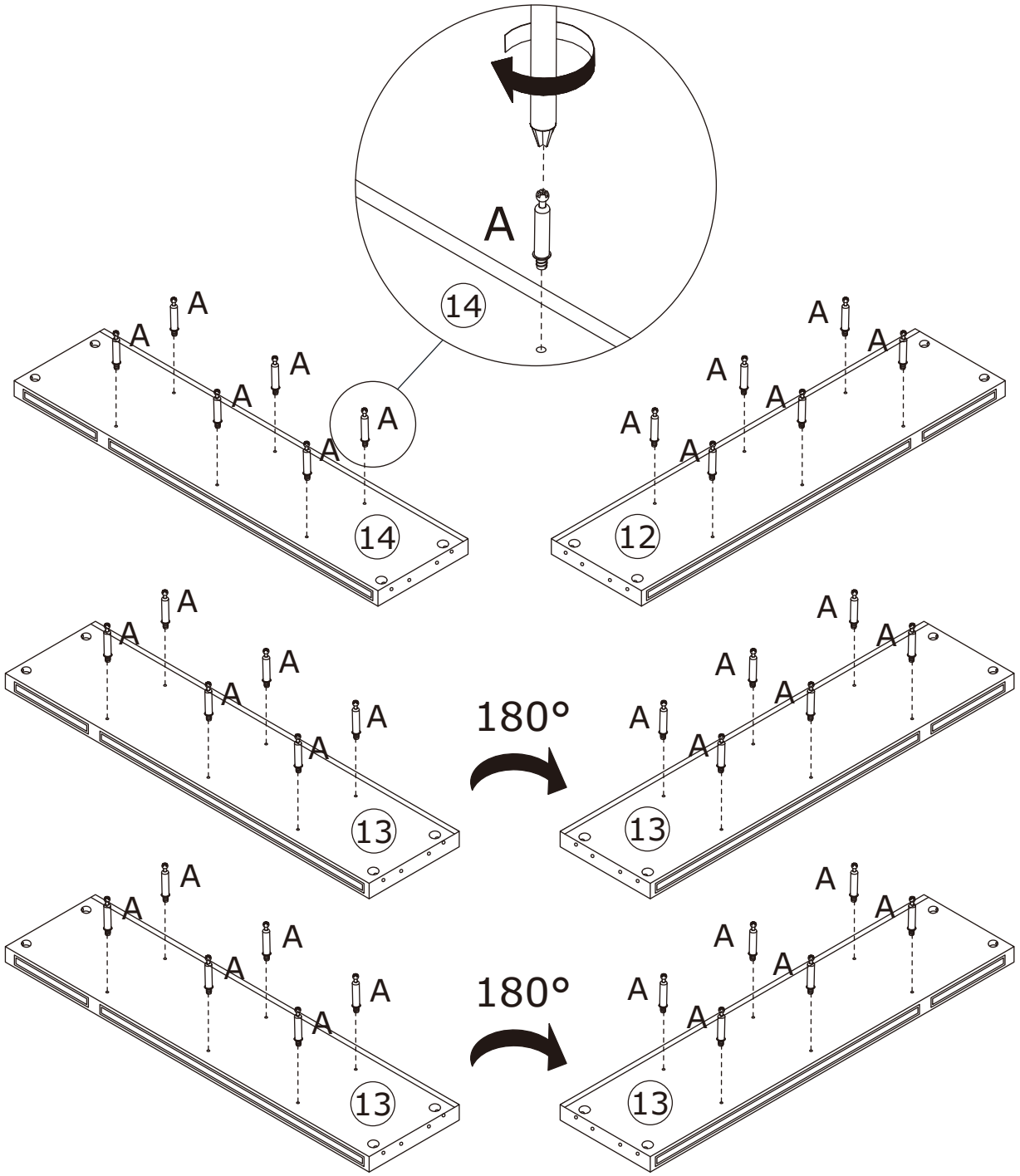
Connect plate 11 and plates 3 and 2 using accessories (Q) and secure with an eccentric wheel (B) as shown in the figure.



20



Install screw (A) on plates 14, 12, and 13, flip plate 13 over, and install screw (A) as shown in the figure.

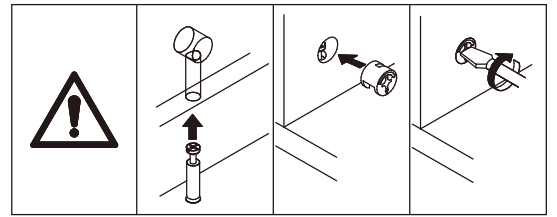
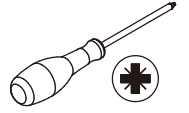


21

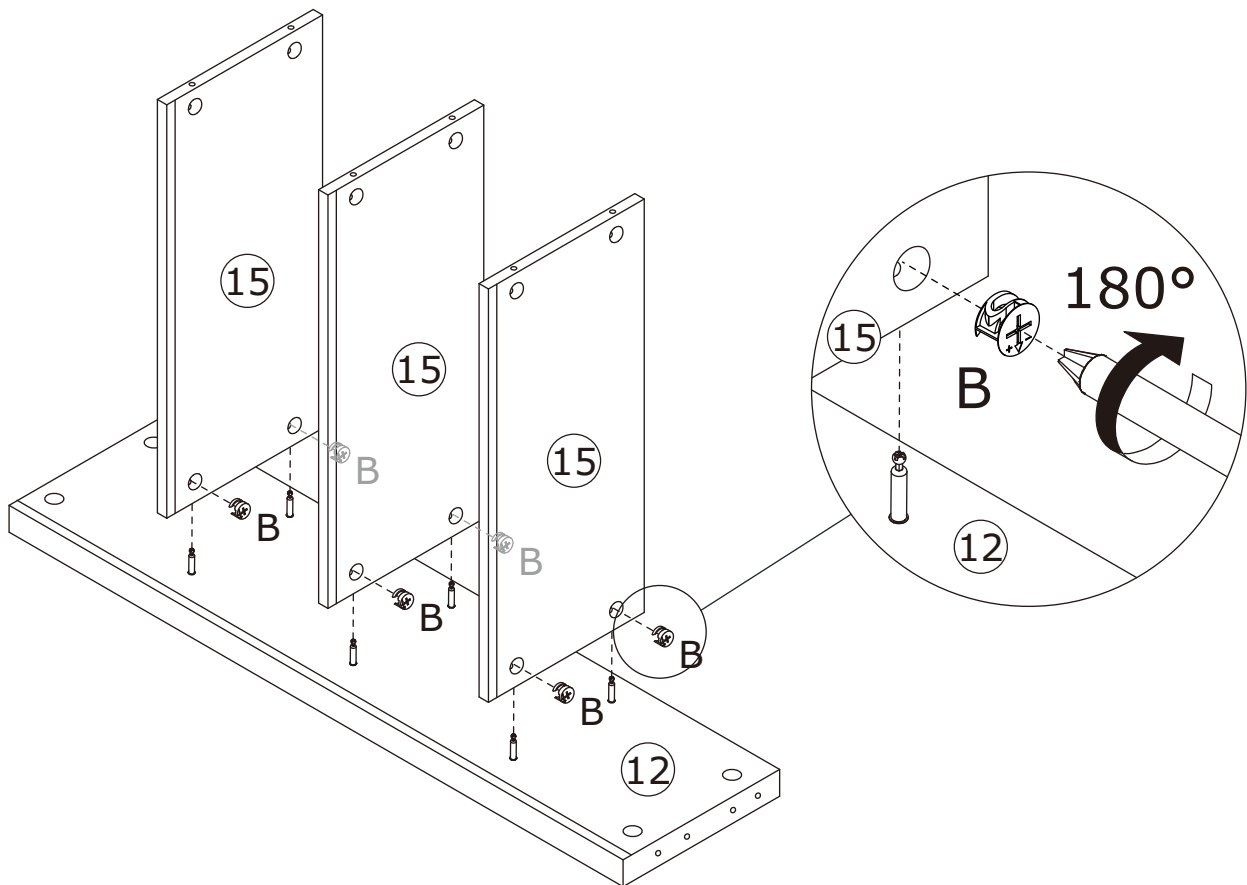
B x 6



M15 x 10 mm

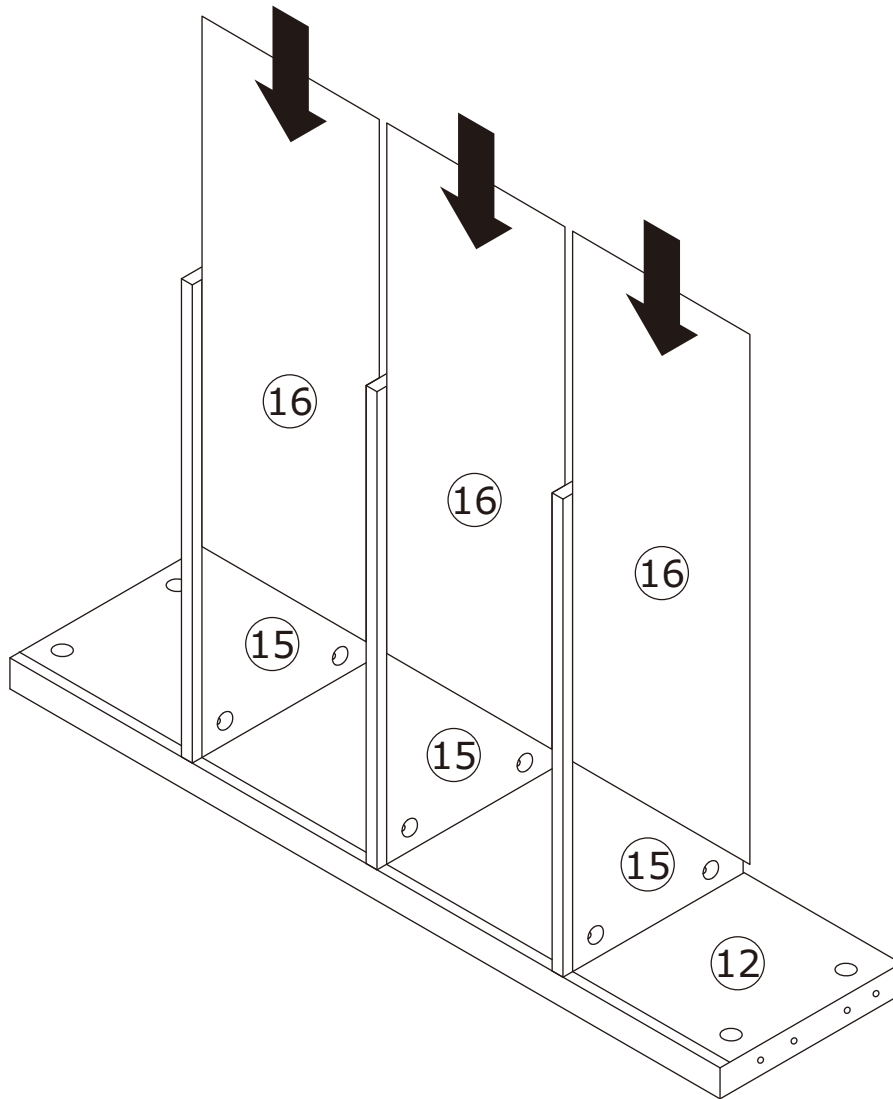


Install plate 15 onto plate 12 and secure it with the eccentric wheel (B) as shown in the figure.



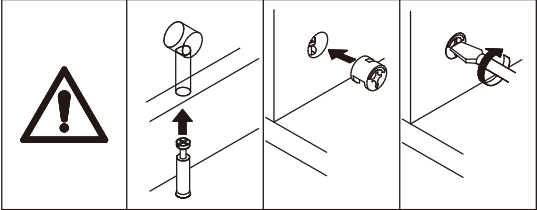
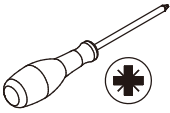
22

Slide plate 16 into the grooves of plates 15 and 12 as shown in the figure.

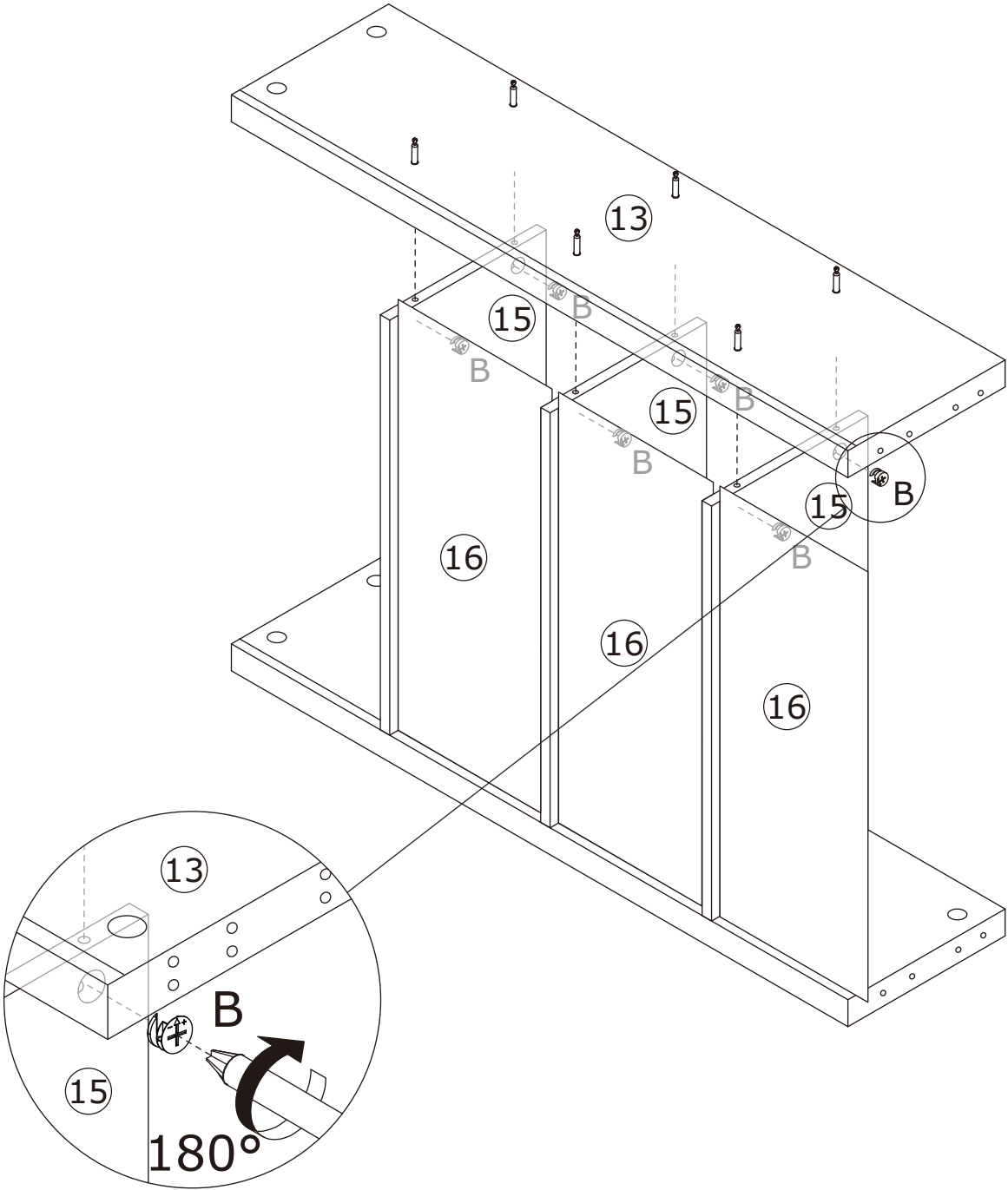


23

B x 6  
M15 x 10 mm



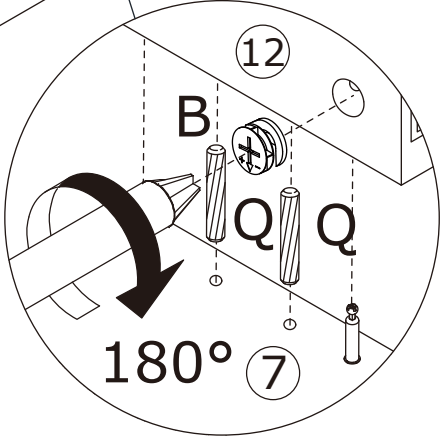
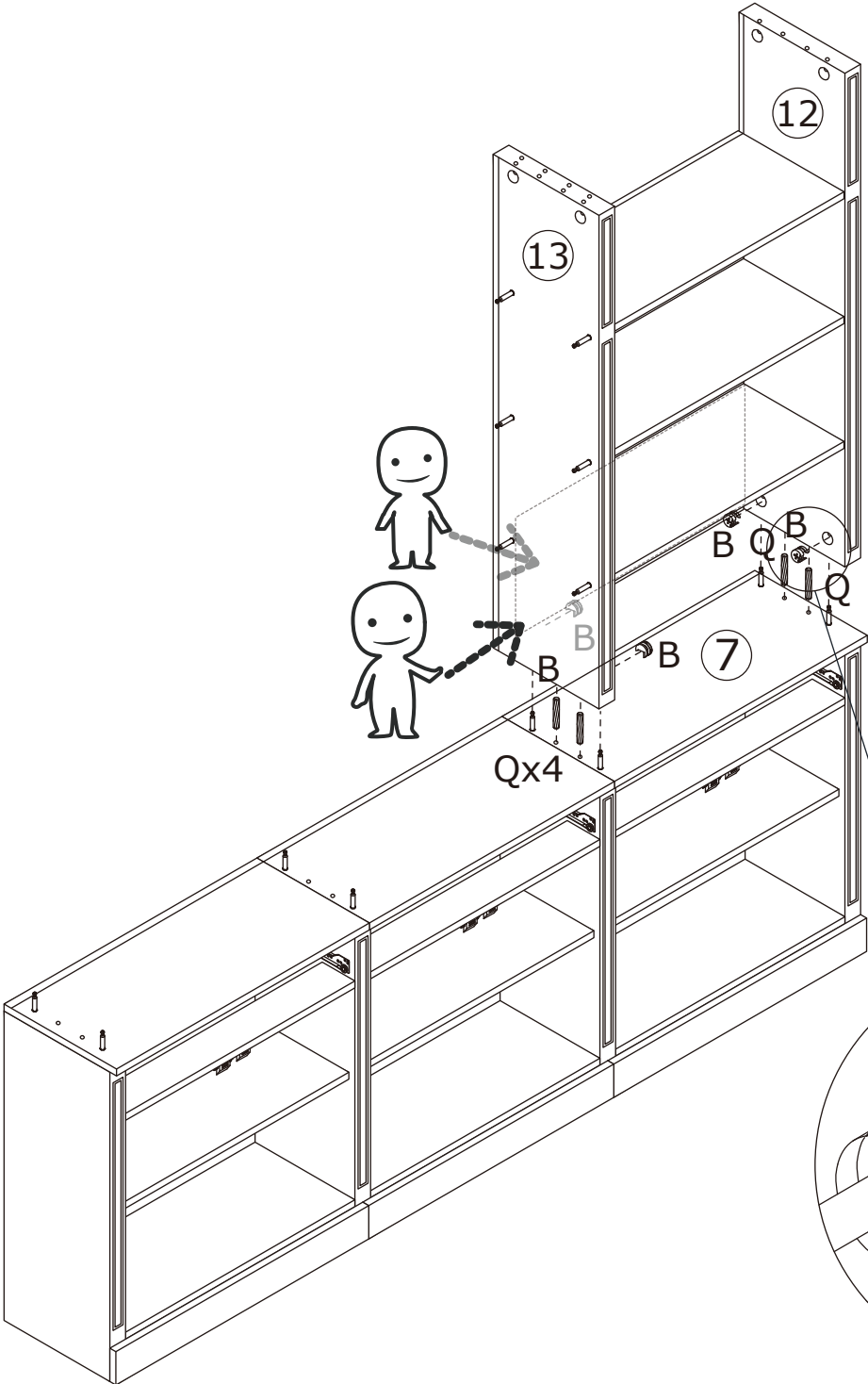
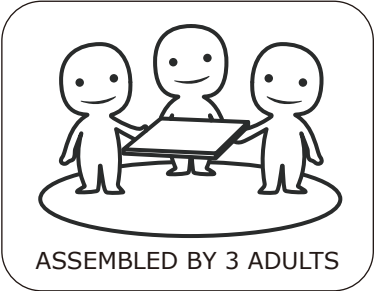
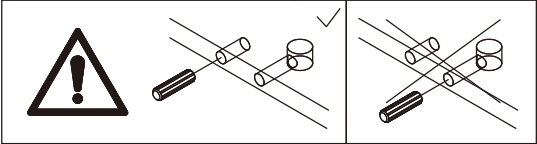
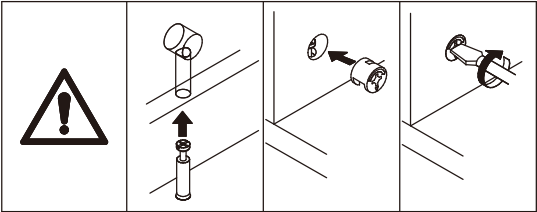
Install plate 13 onto plates 15 and 16, and secure it with an eccentric wheel (B) as shown in the figure.



24

<p>B x 4</p>  <p>M15 x 10 mm</p>	<p>Q x 4</p>  <p>M6 x 30 mm</p>	
---	--	---

Connect plates 13 and 12 to plate 7 using accessories (Q) and secure them with eccentric wheels (B) as shown in the figure.

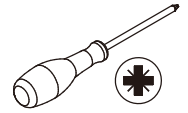


25

B x 6



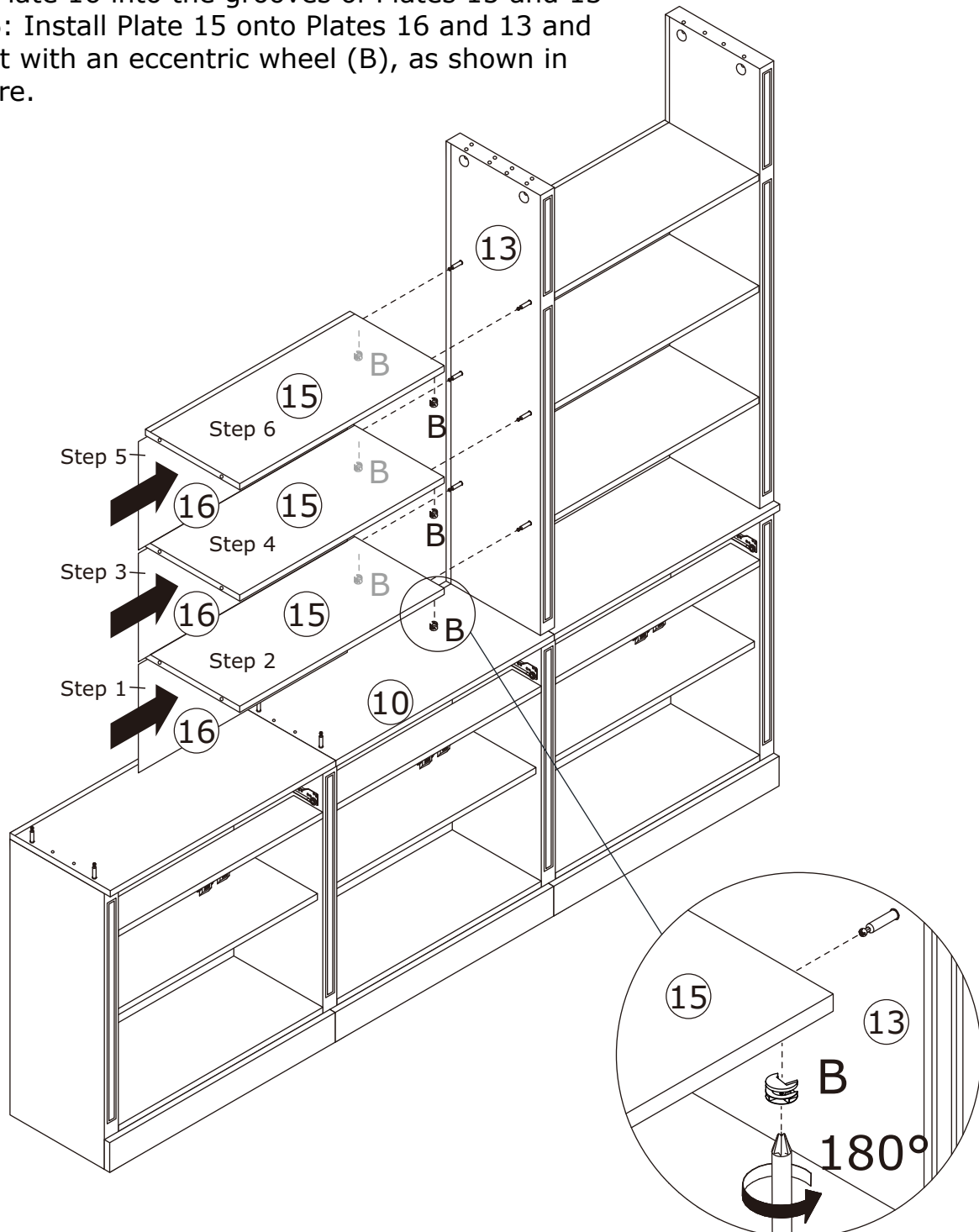
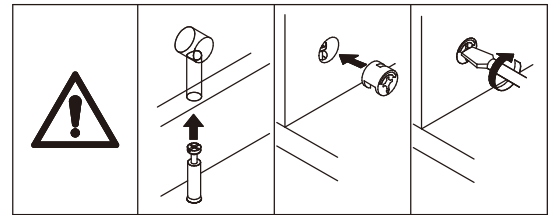
M15 x 10 mm



Step 1: Slide plate 16 into the grooves of plates 10 and 13.

Step 2: Install plate 15 onto plates 16 and 13, and secure it with an eccentric wheel (B).

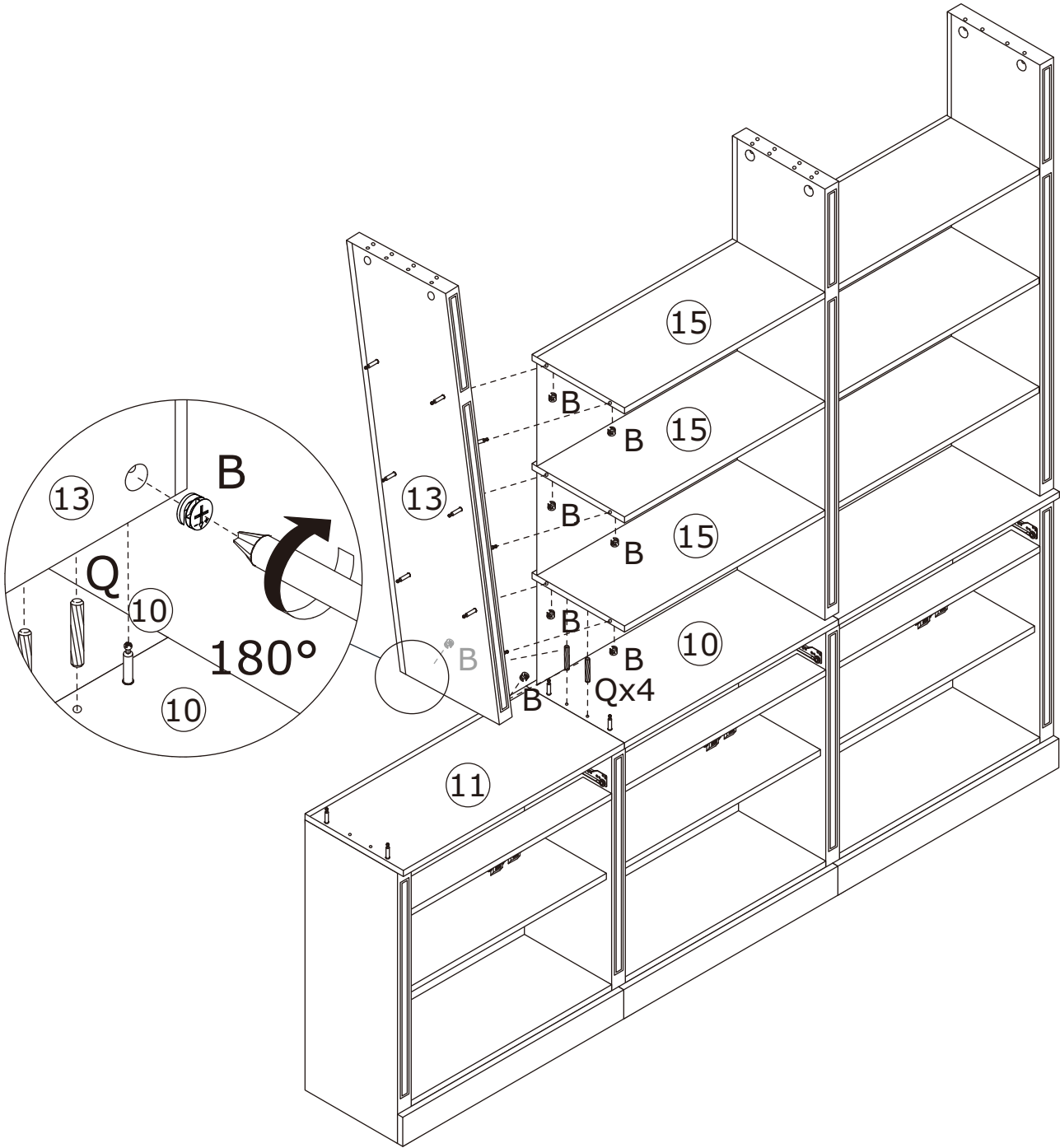
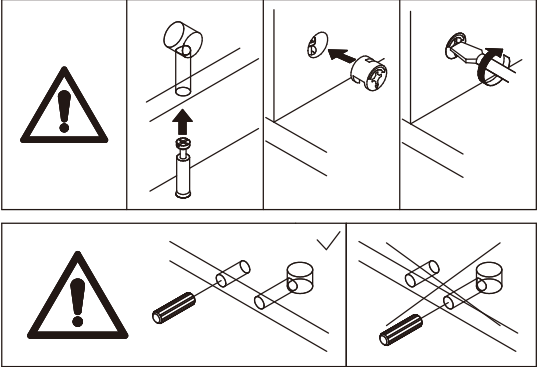
Step 3: Slide Plate 16 into the grooves of Plates 15 and 13, Step 4: Install Plate 15 onto Plates 16 and 13 and secure it with an eccentric wheel (B), Step 5 : Slide Plate 16 into the grooves of Plates 15 and 13 , Step 6: Install Plate 15 onto Plates 16 and 13 and secure it with an eccentric wheel (B), as shown in the figure.



26

<p>B x 8</p>  <p>M15 x 10 mm</p>	<p>Q x 2</p>  <p>M6 x 30 mm</p>	
---	--	---

Use the accessory (Q) to connect plate 13 and plate 10, install plate 13 onto plates 15 and 10, and secure it with the eccentric wheel (B) as shown in the figure.

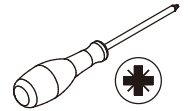


# 27

B x 6



M15 x 10 mm



Step 1 Slide plate 16 into the grooves of plates 11 and 13.

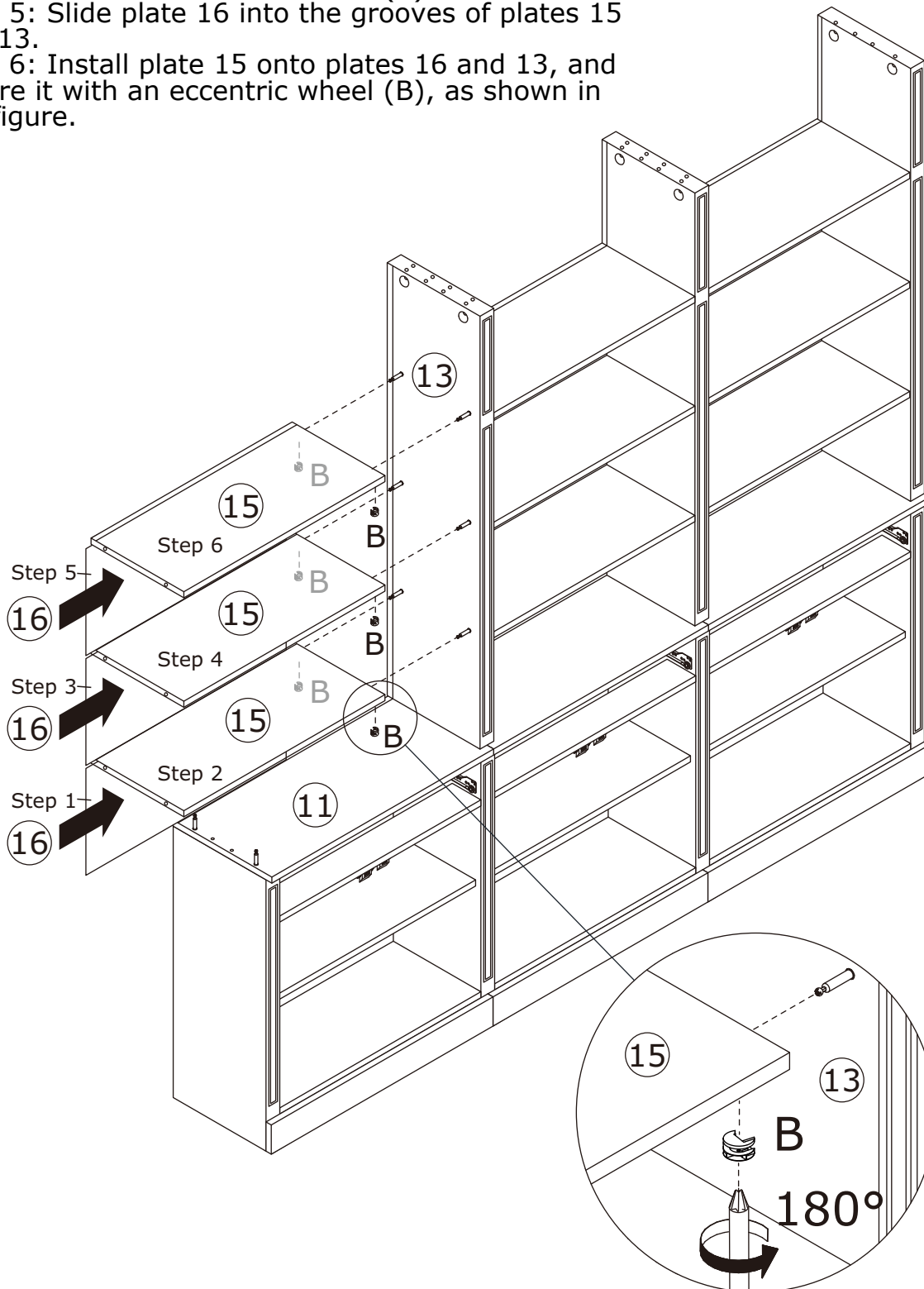
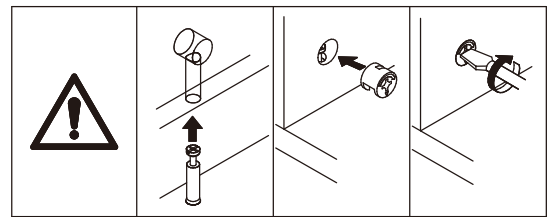
Step 2 Install plate 15 onto plates 16 and 13, and secure it with the eccentric wheel (B).

Step 3 Slide plate 16 into the grooves of plates 15 and 13.

Step 4: Install plate 15 onto plates 16 and 13, and secure it with an eccentric wheel (B).

Step 5: Slide plate 16 into the grooves of plates 15 and 13.

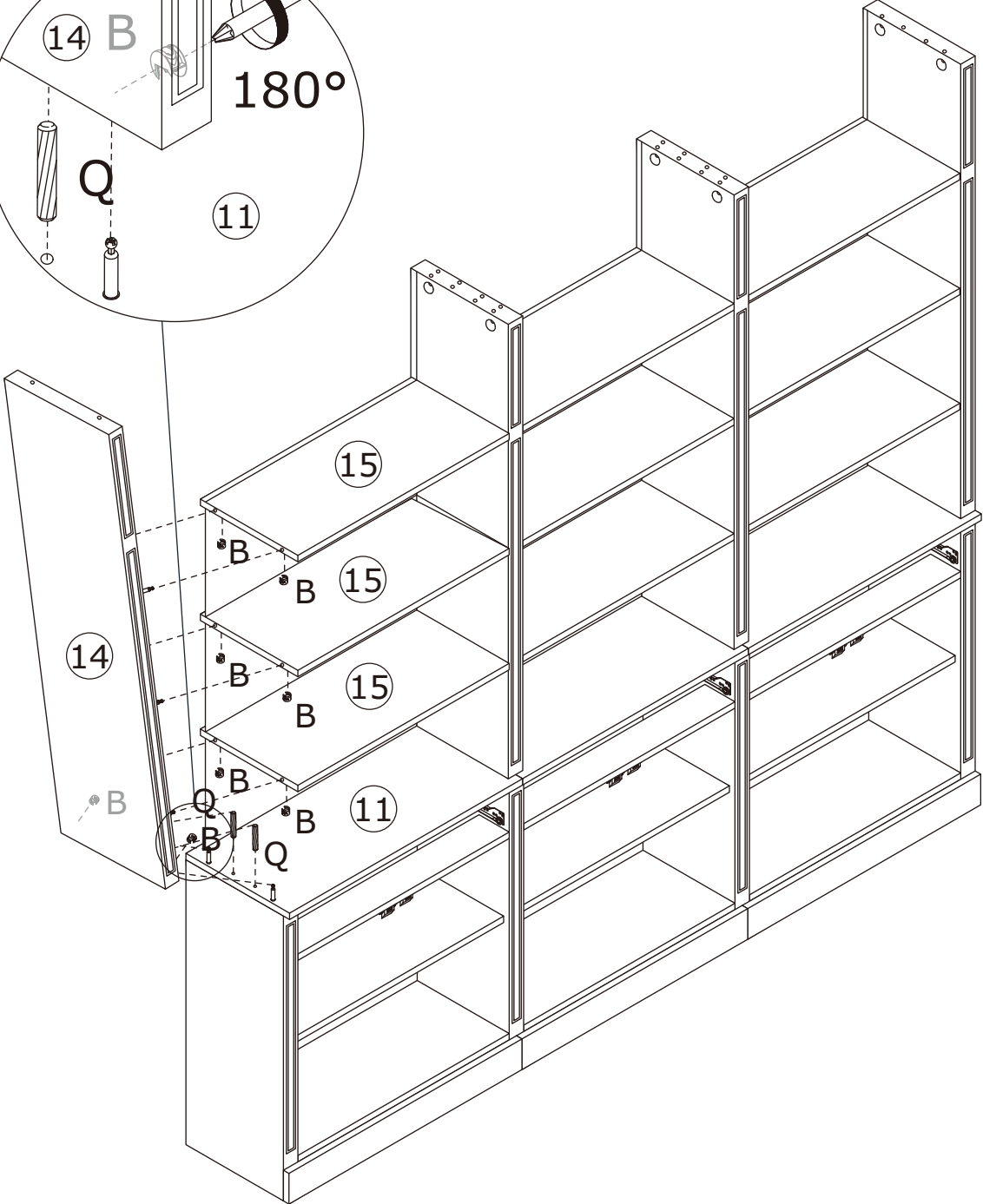
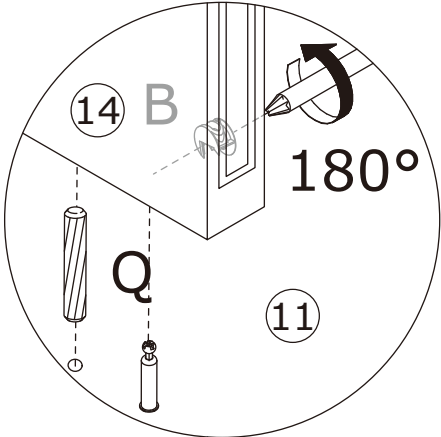
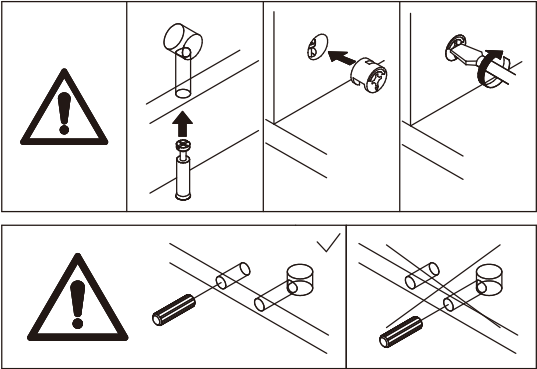
Step 6: Install plate 15 onto plates 16 and 13, and secure it with an eccentric wheel (B), as shown in the figure.



28

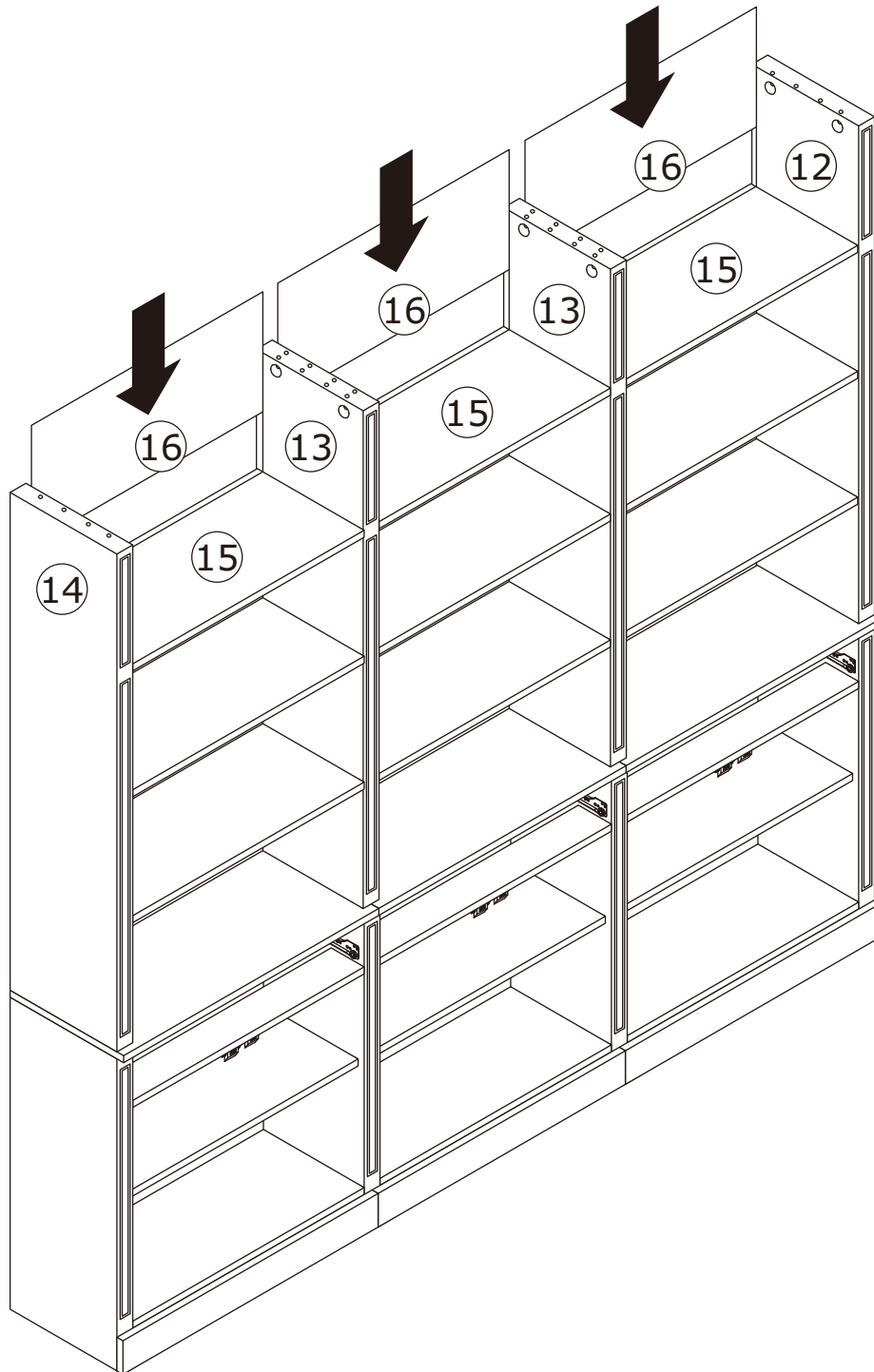


Use the accessory (Q) to connect plate 14 and plate 11, connect plate 14 to plates 15 and 11, and secure with the eccentric wheel (B) as shown in the figure.

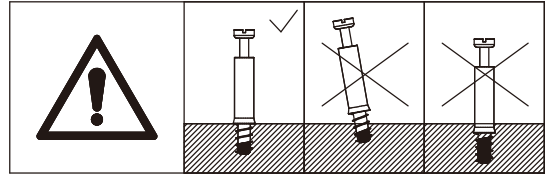
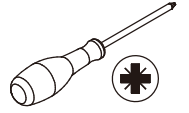
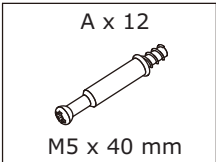


29

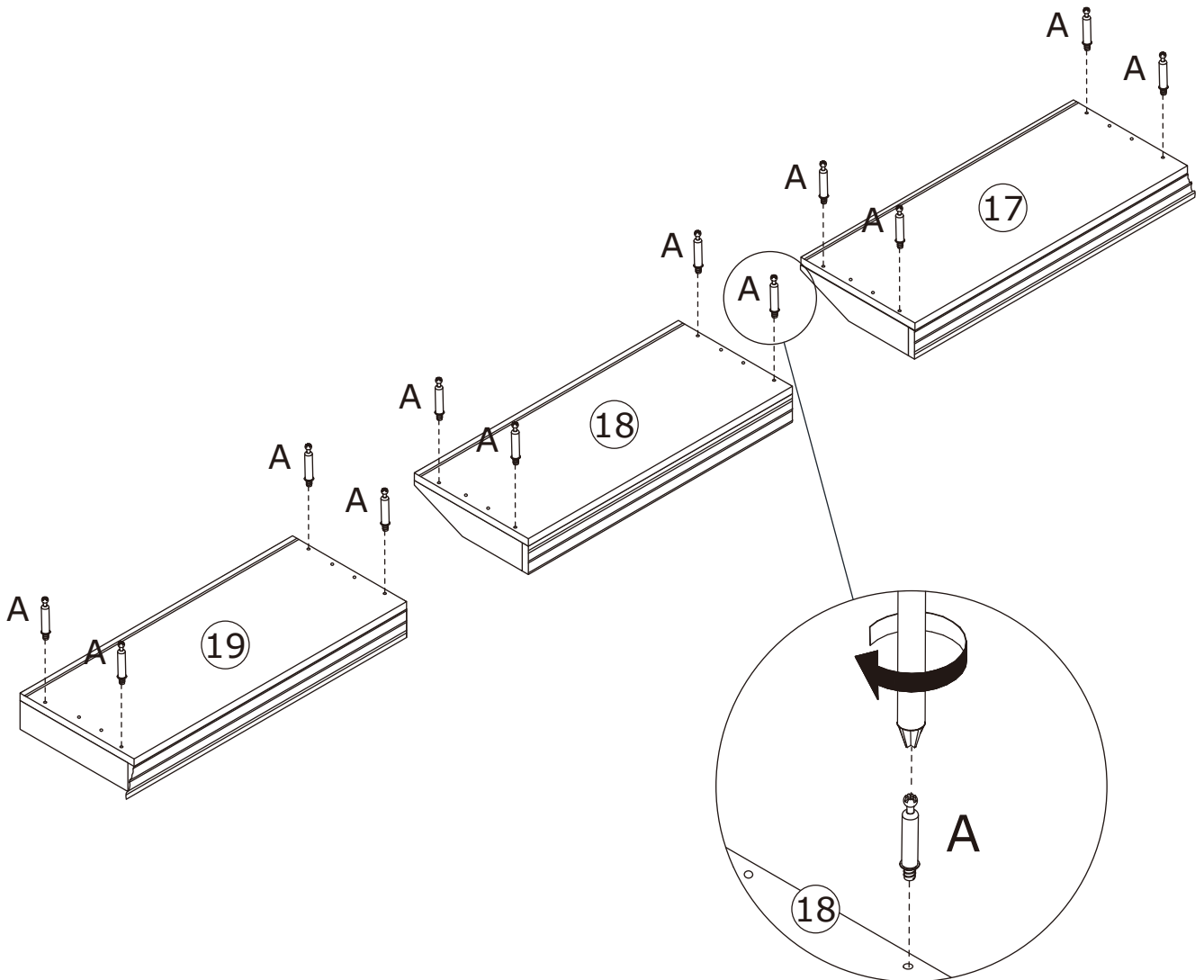
Slide plate 16 into the grooves of plates 14, 15, 13, and 12 as shown in the figure.



30



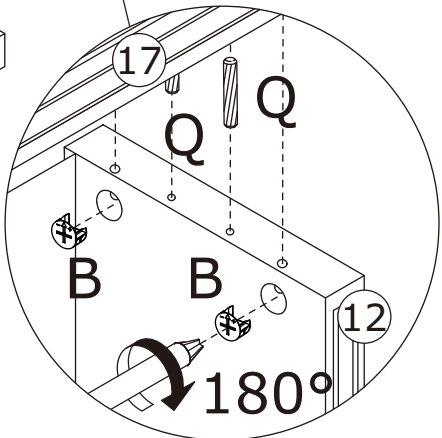
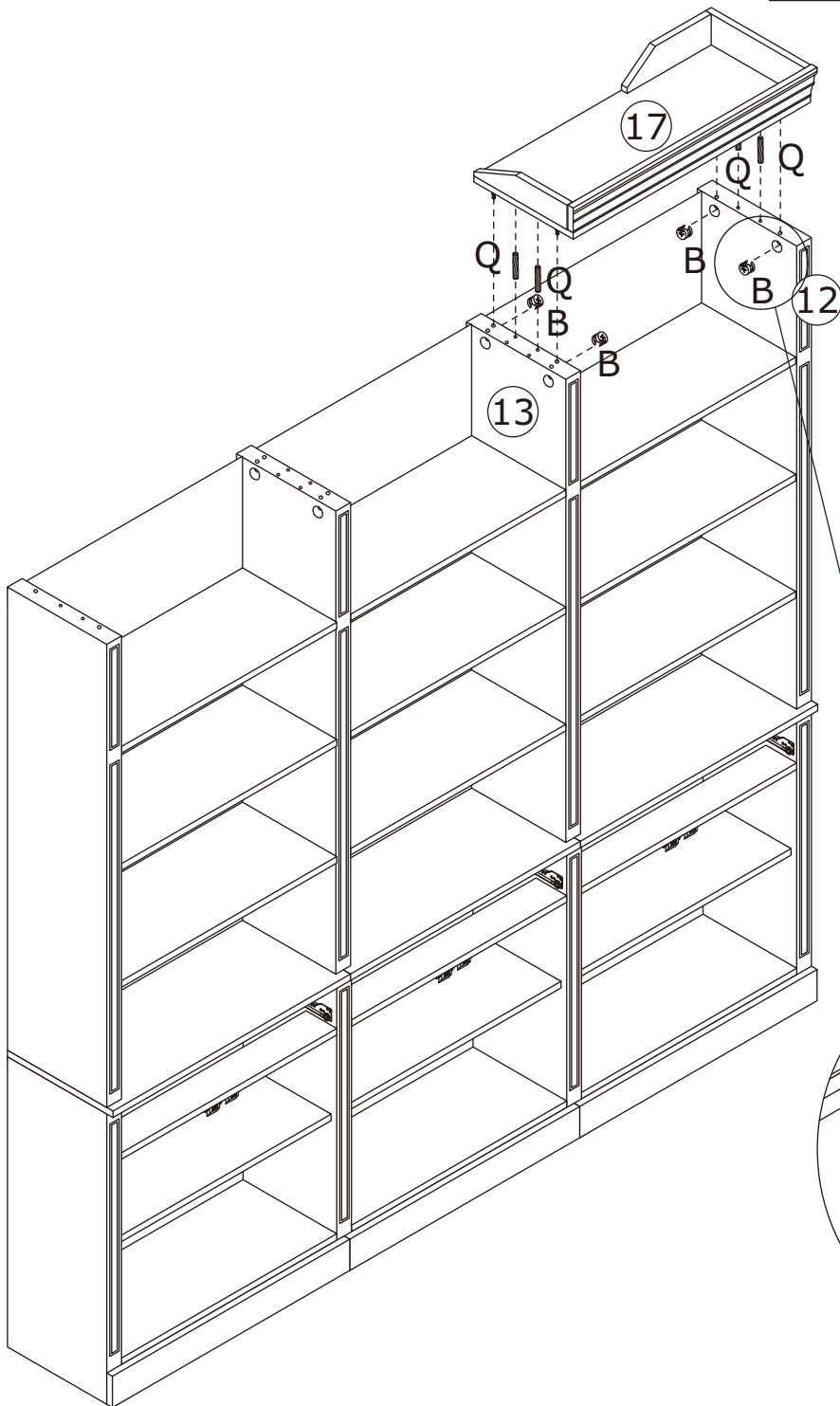
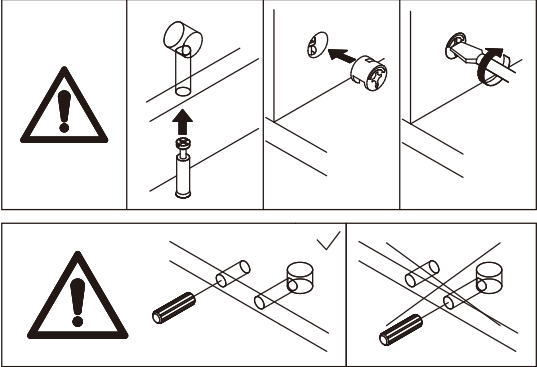
Install screw rod (A) on plates 19, 18, and 17 as shown in the figure.



# 31

<p>B x 4</p>  <p>M15 x 10 mm</p>	<p>Q x 4</p>  <p>M6 x 30 mm</p>	
---	--	---

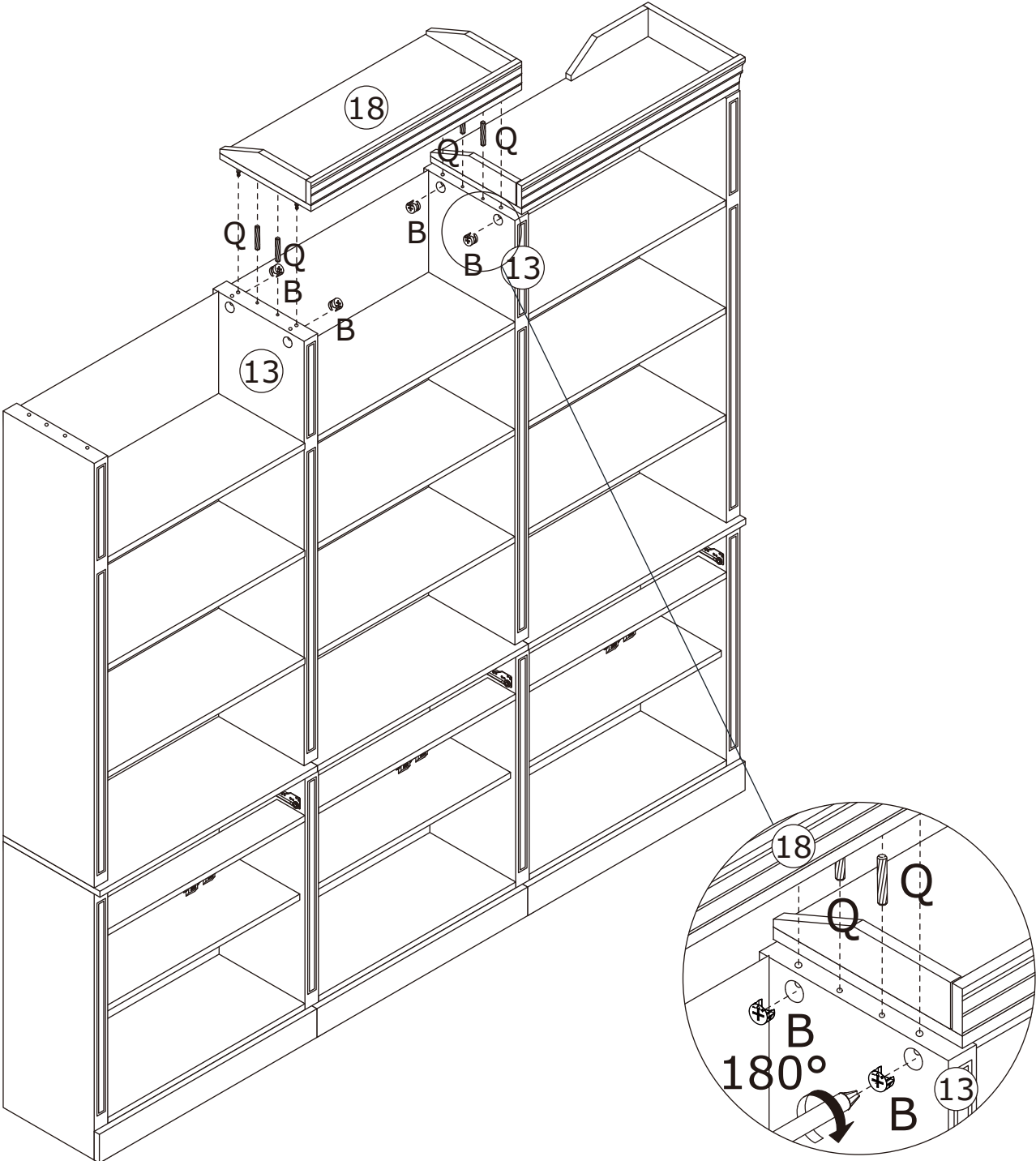
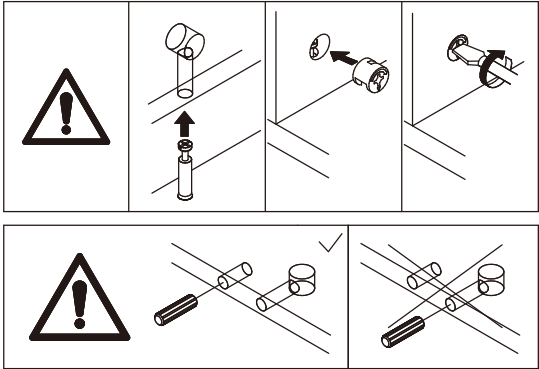
Connect plate 17 to plates 13 and 12 using accessories (Q) and secure with an eccentric wheel (B) as shown in the figure.



32



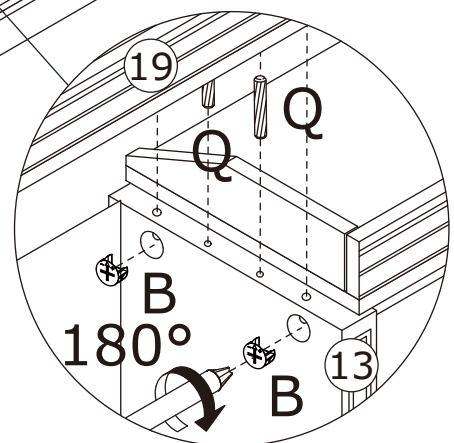
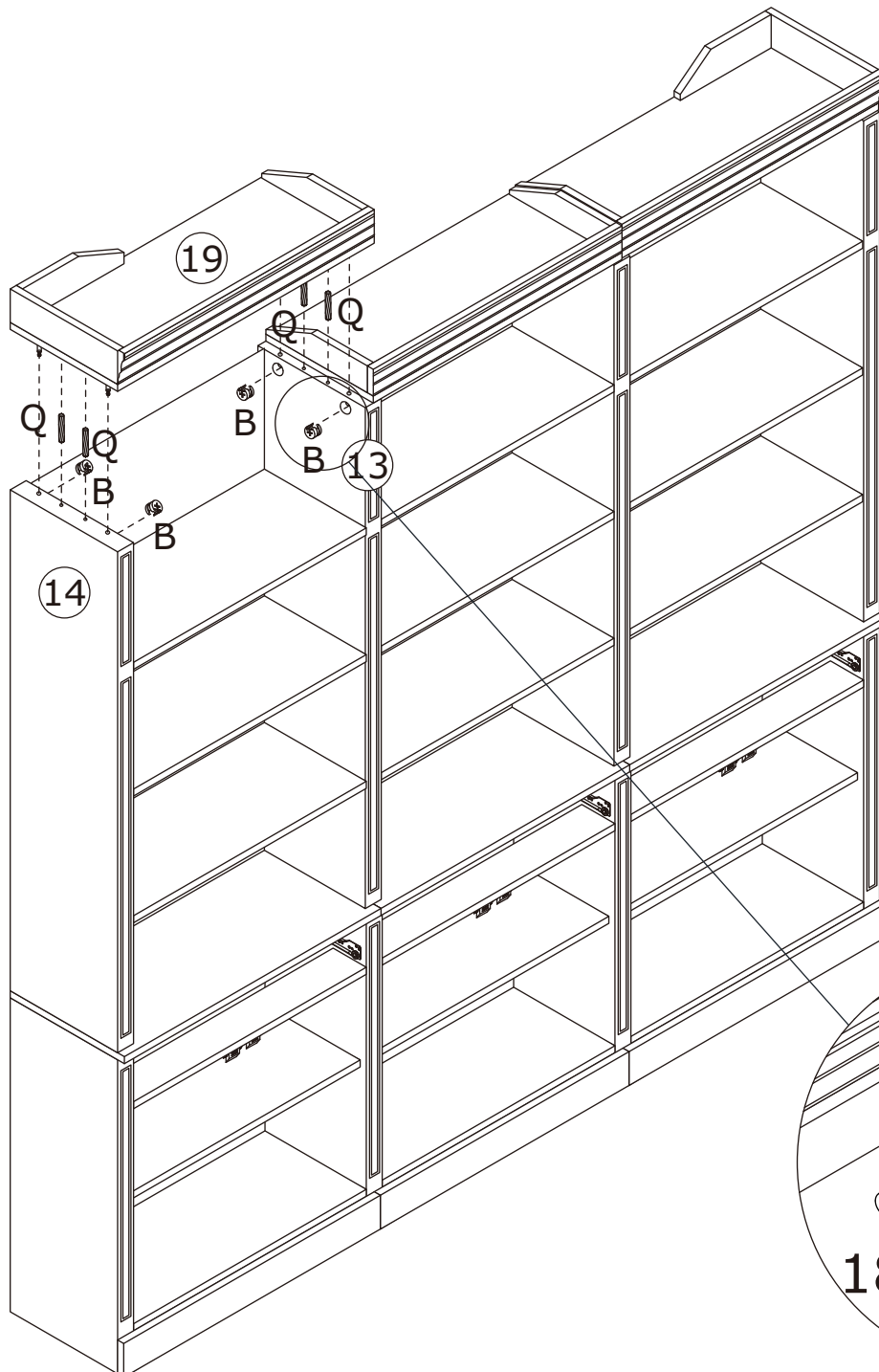
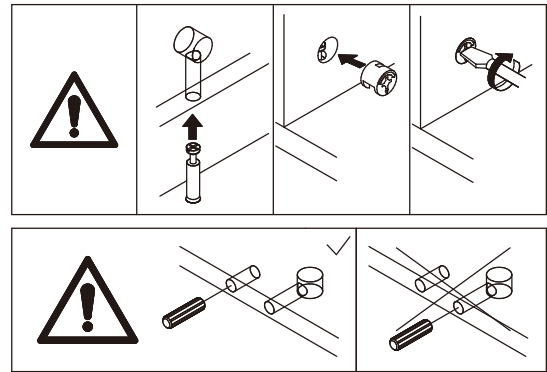
Connect plate 18 to plate 13 using the accessory (Q) and secure it with the eccentric wheel (B) as shown in the figure.



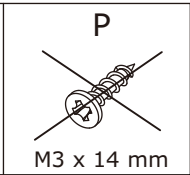
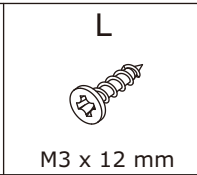
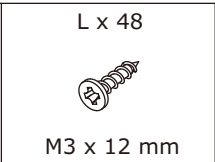
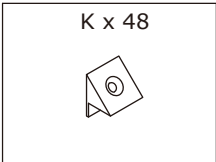
33



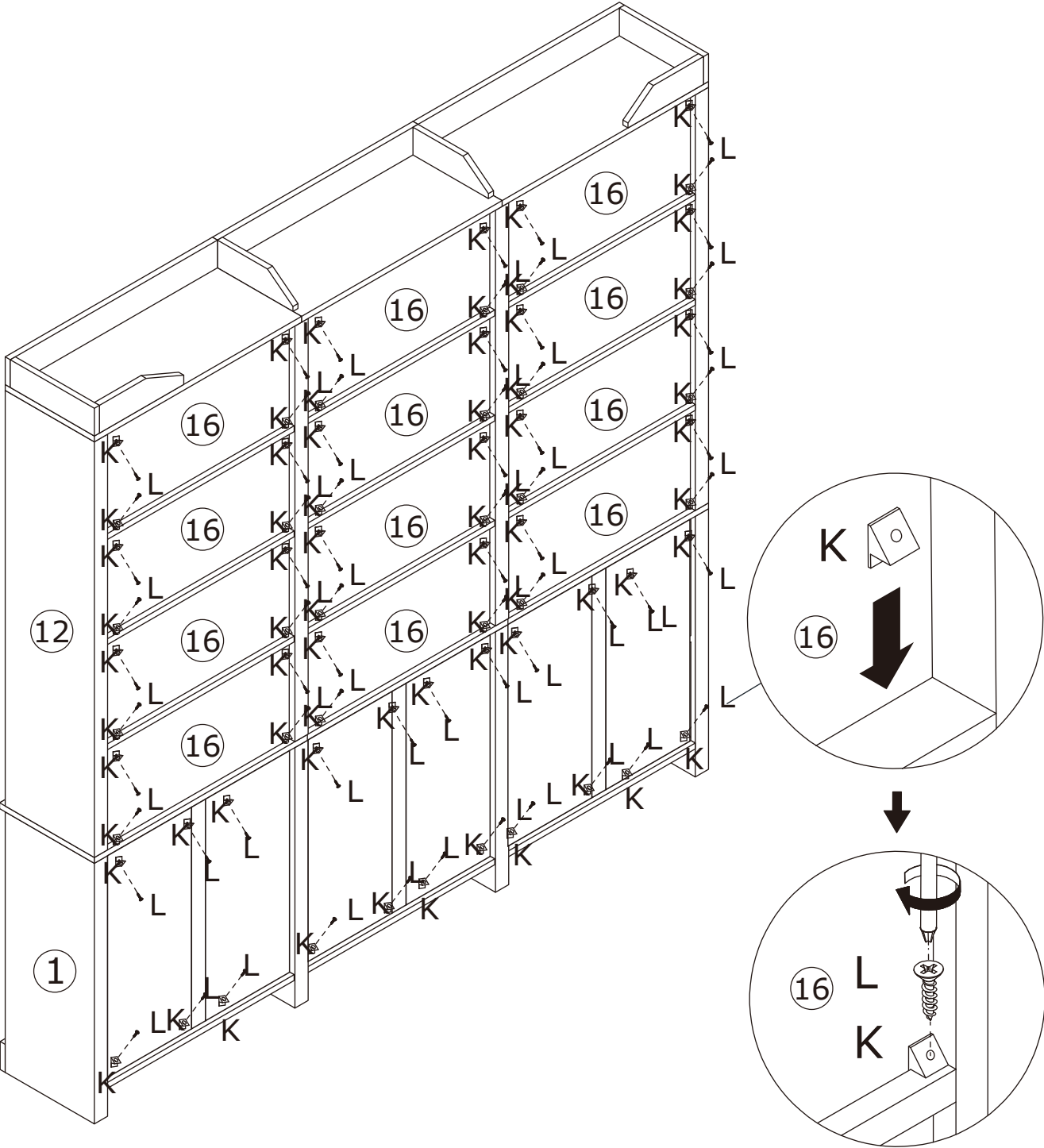
Connect plate 19 to plates 14 and 13 using accessories (Q) and secure with an eccentric wheel (B) as shown in the figure.



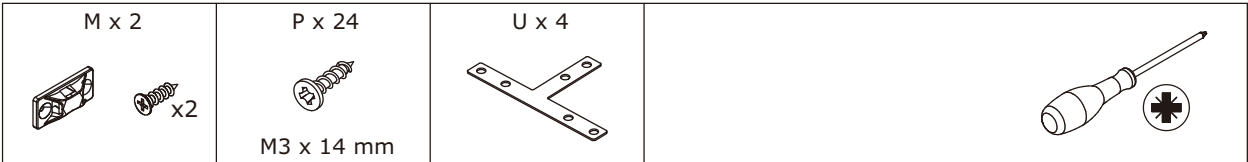
34



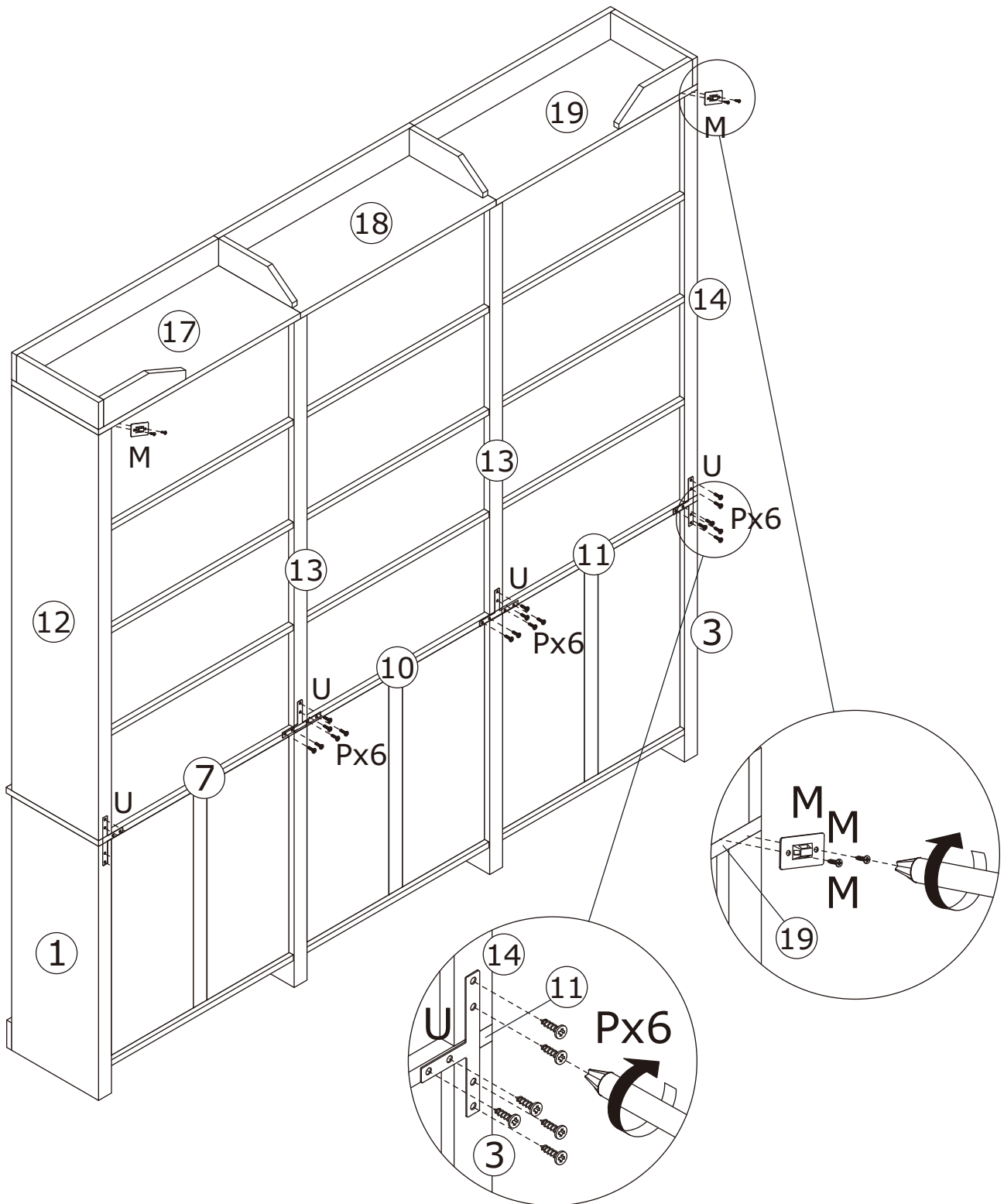
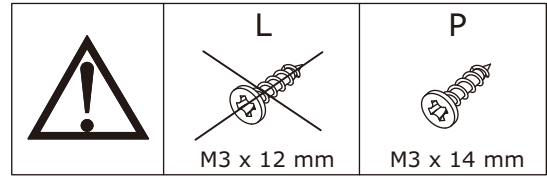
Install the accessory (K) onto the cabinet using screws (L) as shown in the figure.



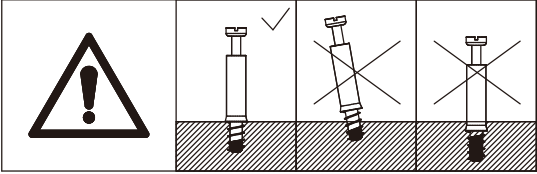
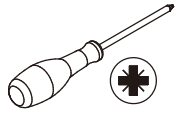
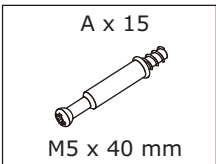
# 35



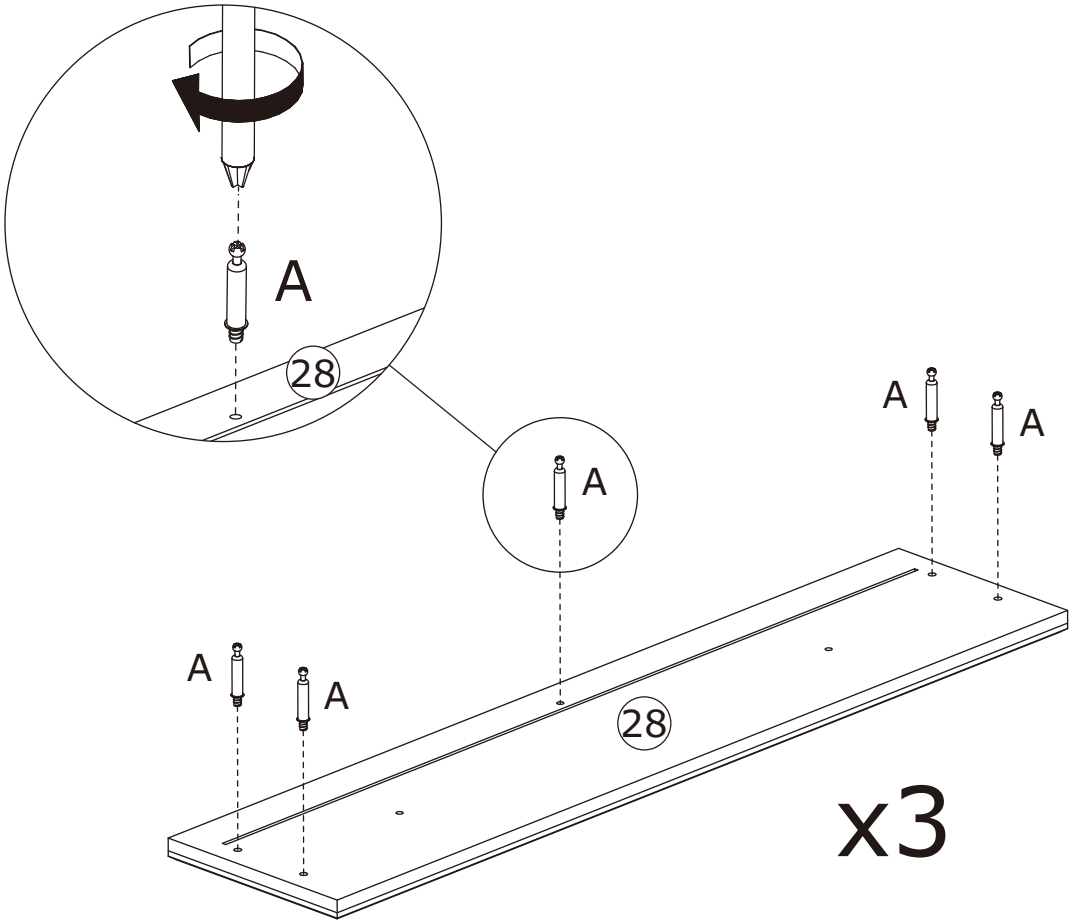
Use screws (P) to install and secure the accessories (U) to plates 12, 1, 7, 13, 10, 11, 14, and 3. Install anti-tip devices on the cabinet as shown in the figure.



36



Install screw (A) onto plate 28 as shown in the figure.

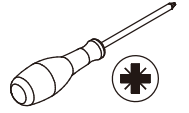


37

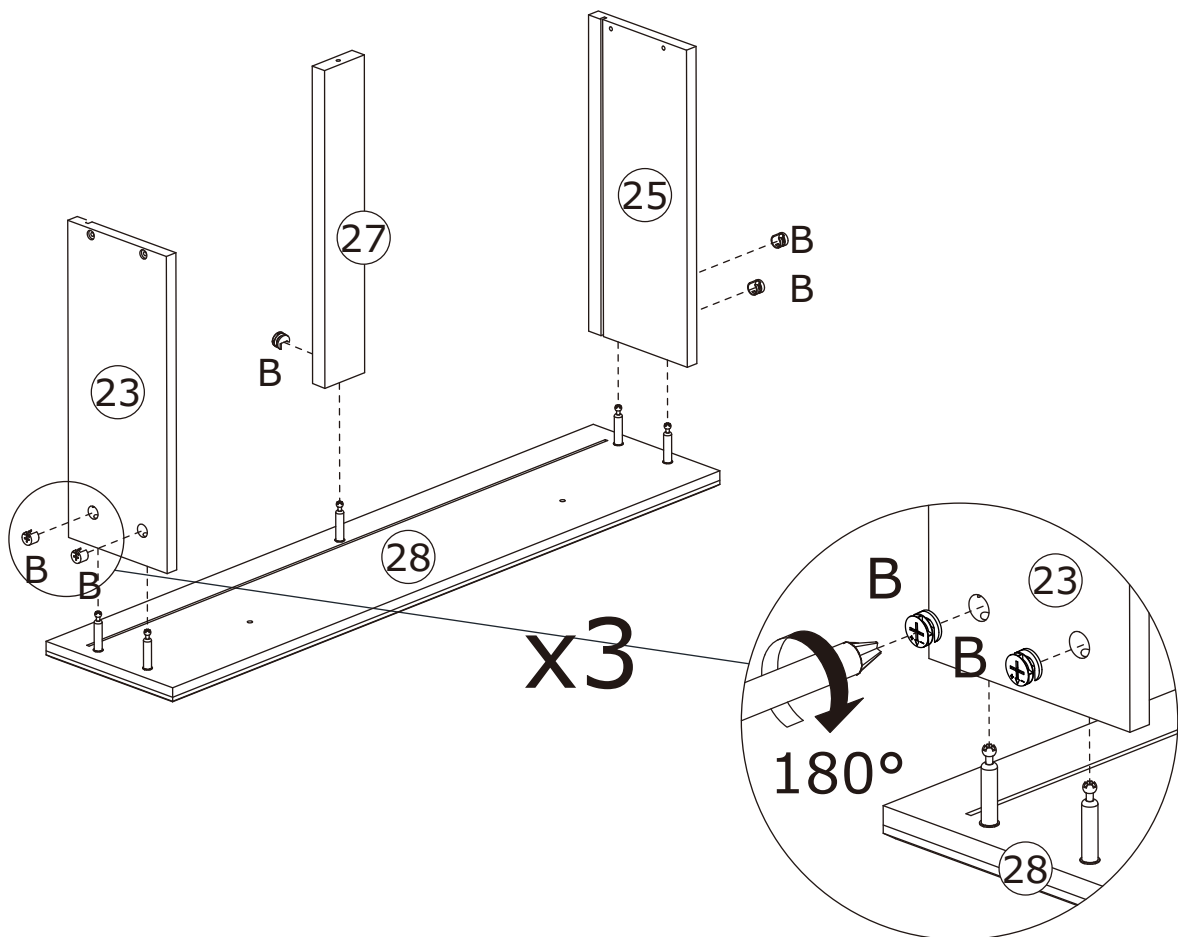
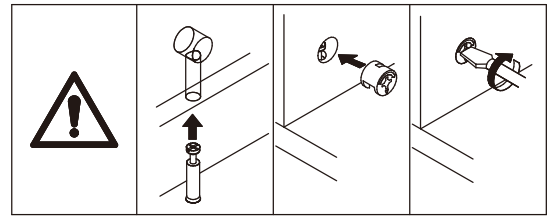
B x 15



M15 x 10 mm



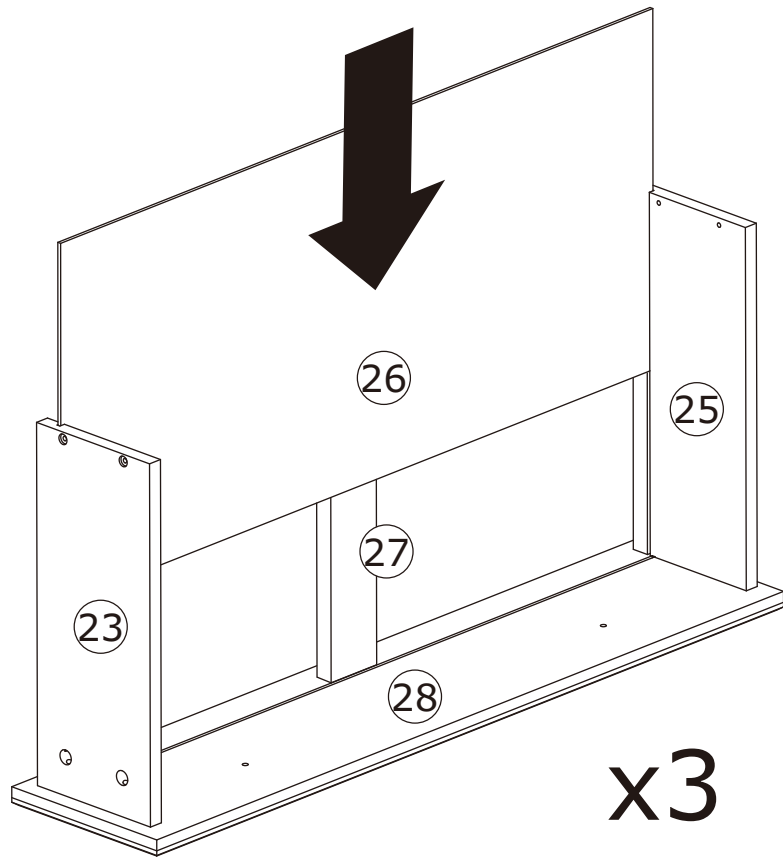
Install plates 23, 27, and 25 onto plate 28 and secure them with eccentric wheels (B) as shown in the figure.



38

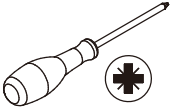


Slide plate 26 into the grooves of plates 23, 25, and 28 as shown in the figure.

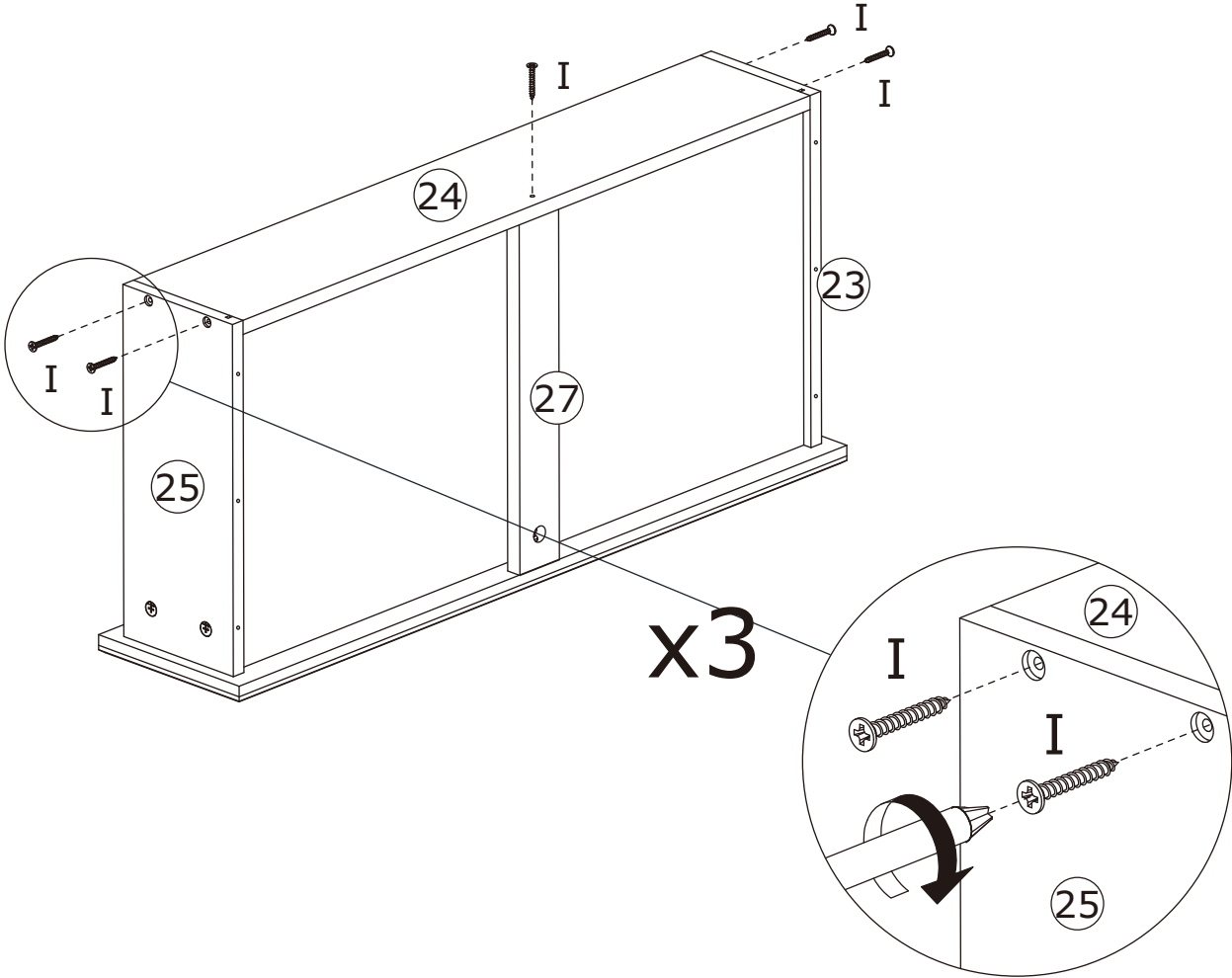


39

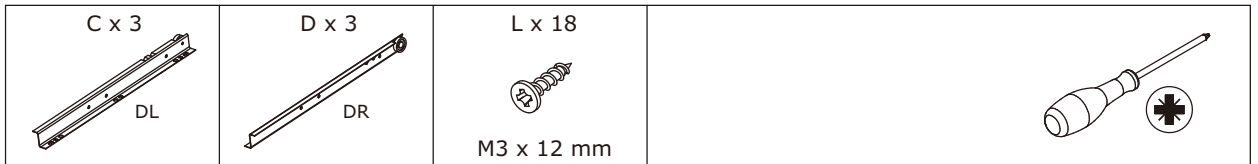
I x 15  
M3.5 x 25 mm



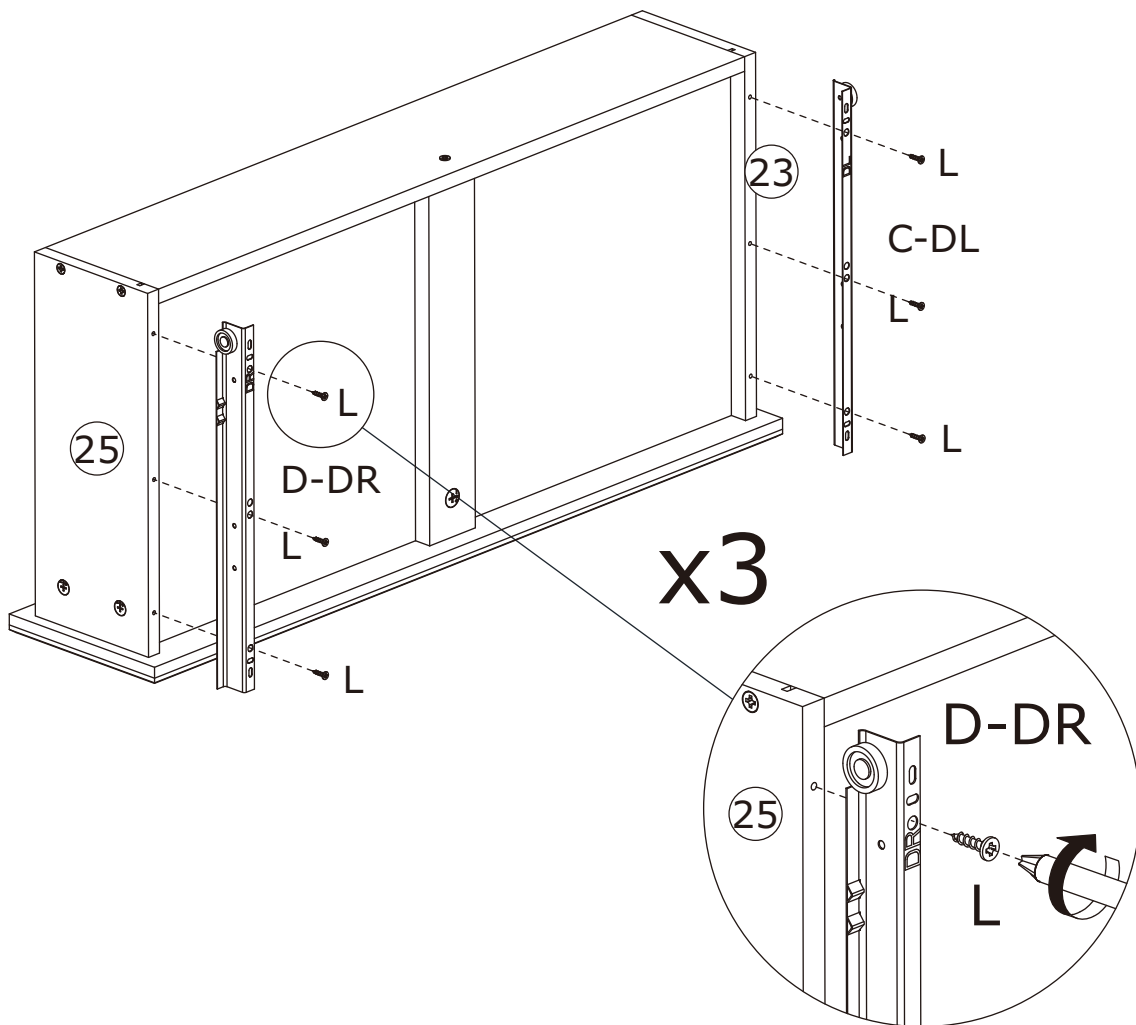
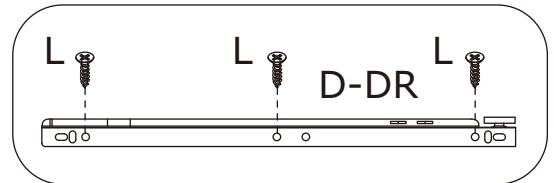
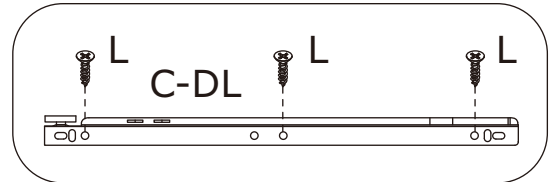
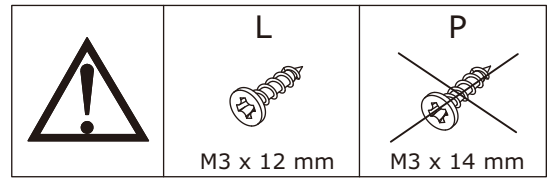
Install plate 24 onto plates 25, 27, and 23, and secure with screws (I) as shown in the figure.



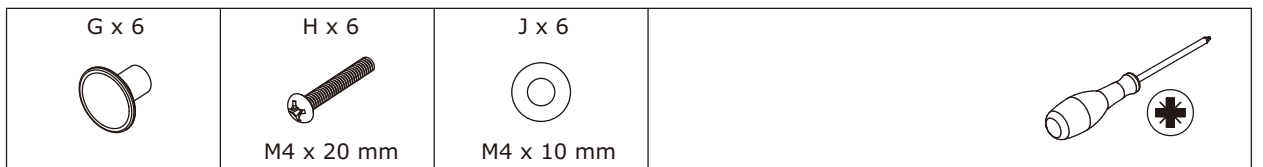
40



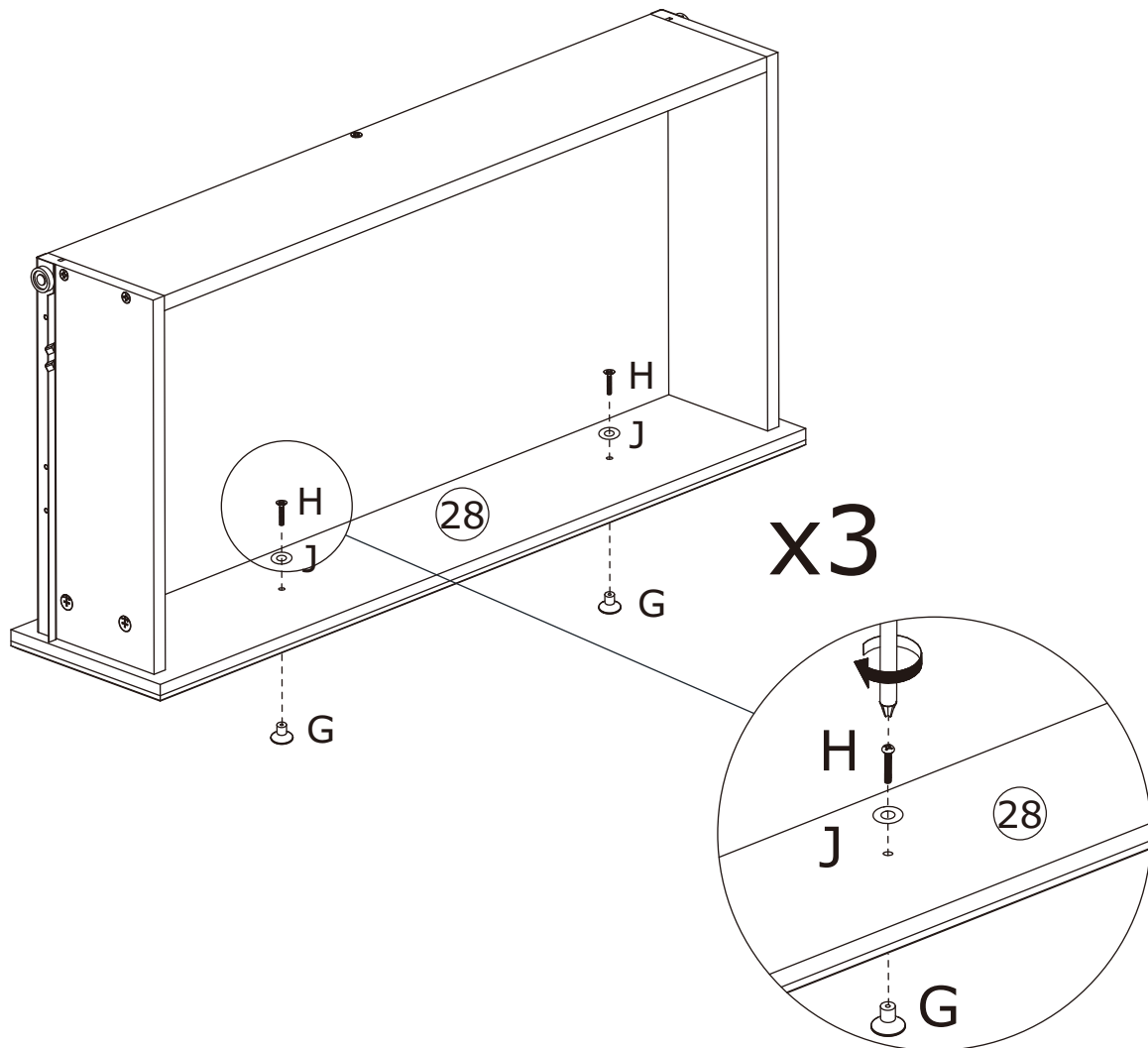
Use screws (L) to install and secure accessories (C) and (D) to plates 23 and 25, as shown in the figure.







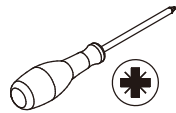


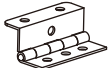



41



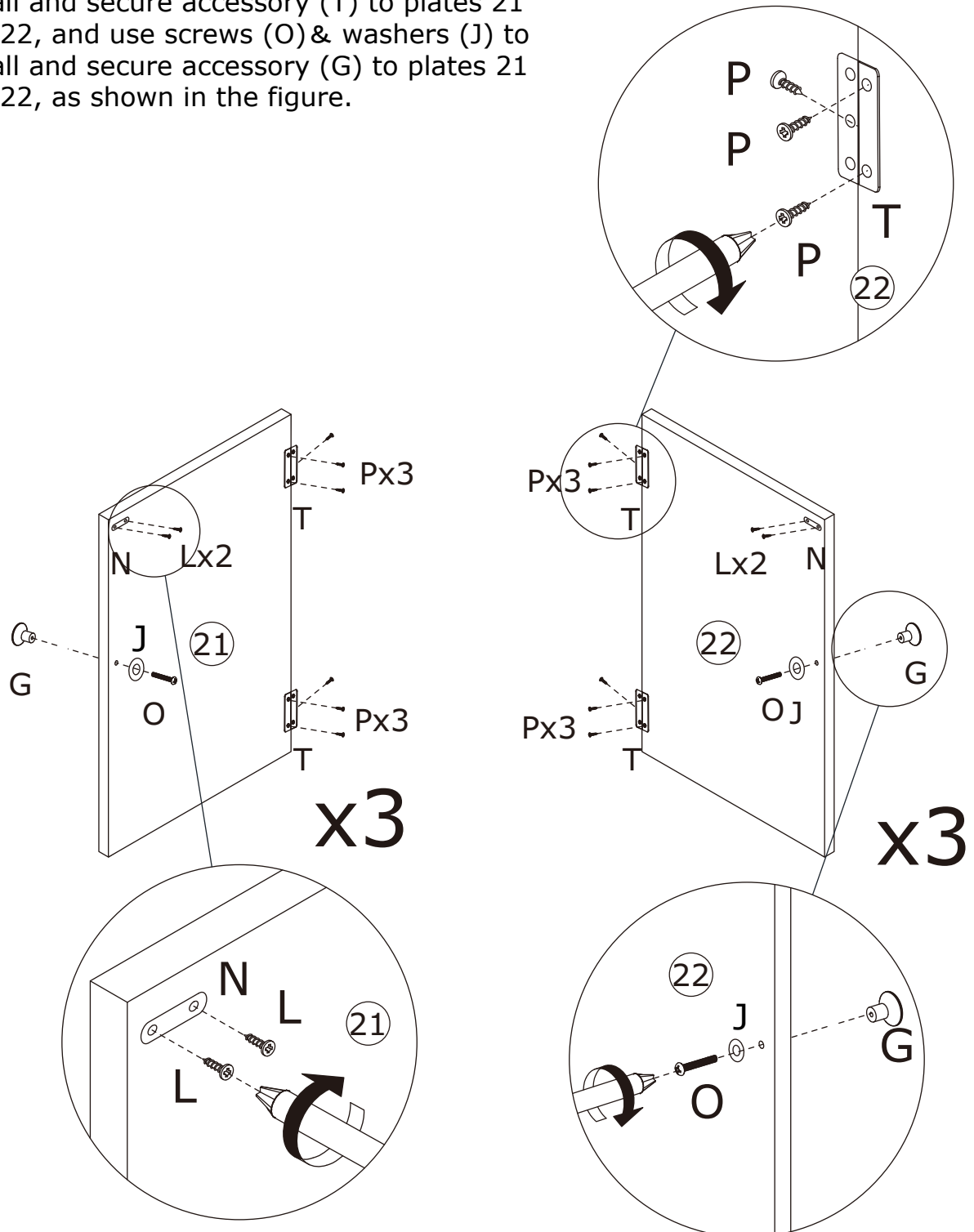
Use screws (H) and washers (J) to install and secure the handle (G) to plate 28, as shown in the figure.



42

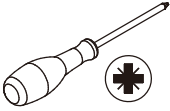
G x 6 	J x 6 M4 x 10 mm 	L x 12 M3 x 12 mm 	N x 6 	
O x 6 M4 x 25 mm 	P x 36 M3 x 14 mm 	T x 12 		L M3 x 12 mm 
				P M3 x 14 mm 

Use screws (L) to install and secure accessory (N) to plates 21 and 22, use screws (P) to install and secure accessory (T) to plates 21 and 22, and use screws (O) & washers (J) to install and secure accessory (G) to plates 21 and 22, as shown in the figure.

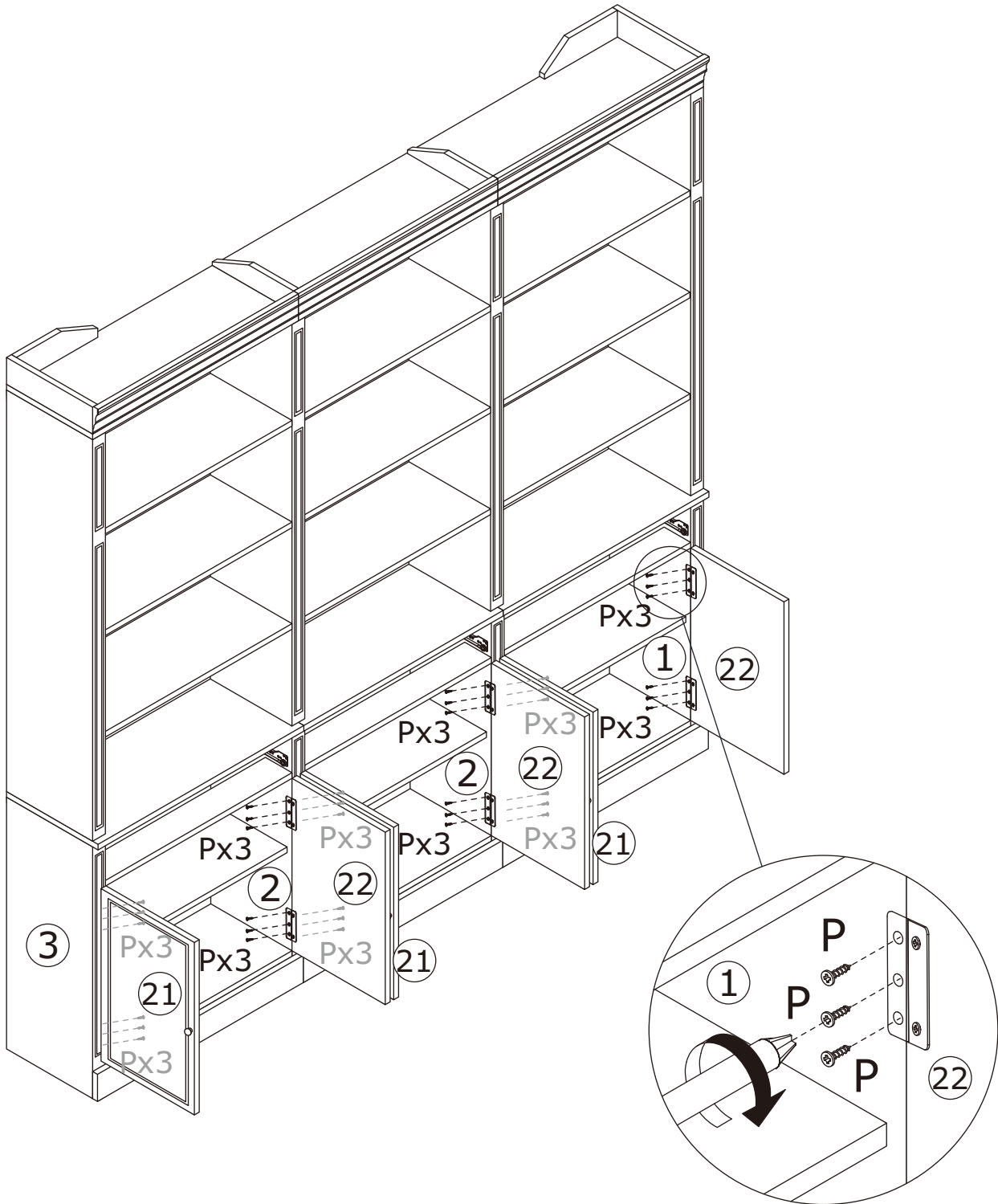
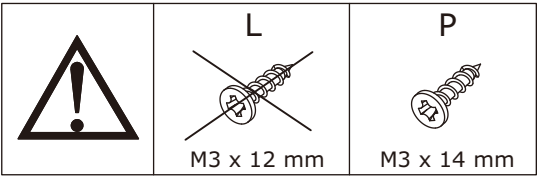


43

P x 36  
M3 x 14 mm

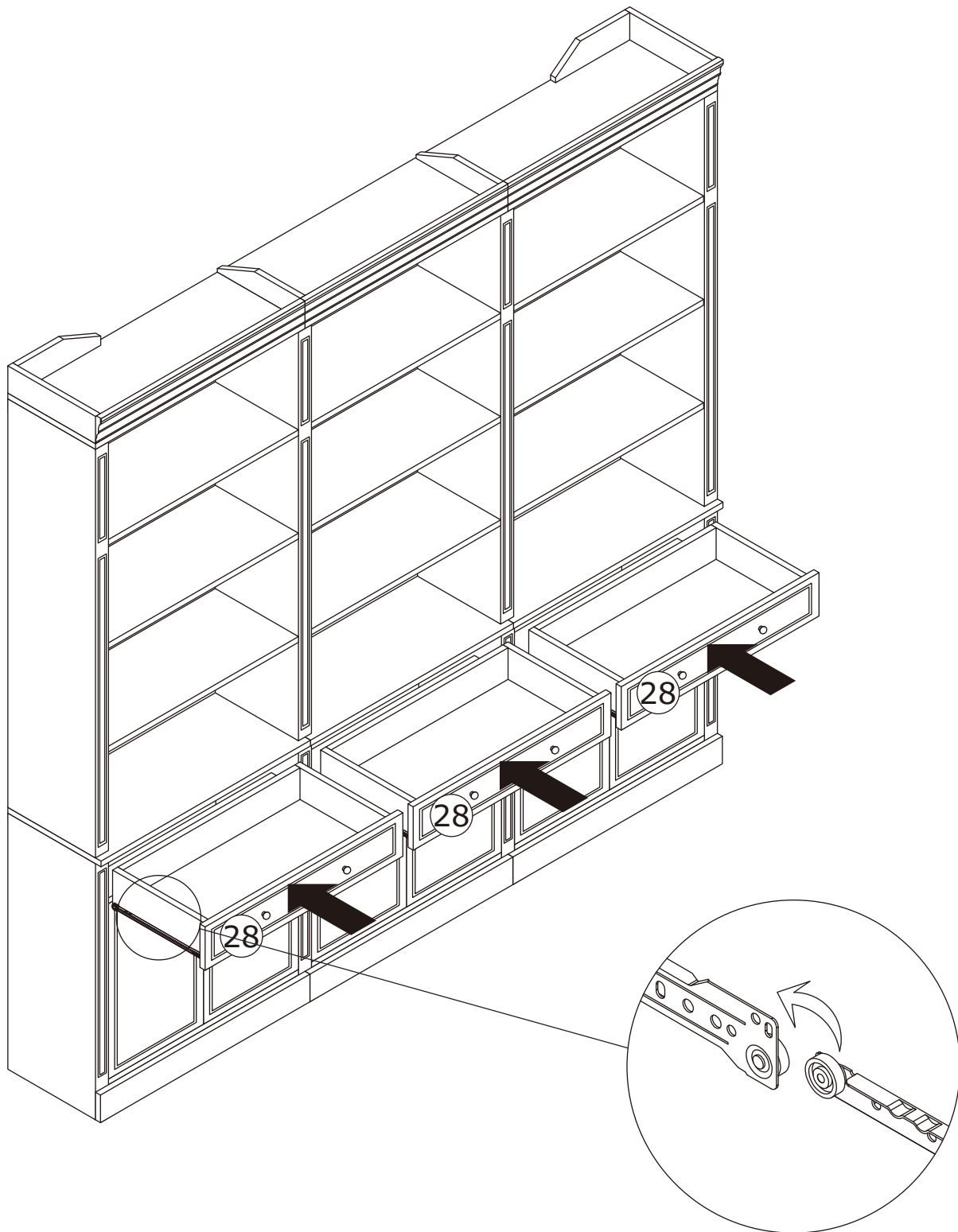


Use screws (P) to install and secure plates 21 and 22 to the cabinet as shown in the figure.

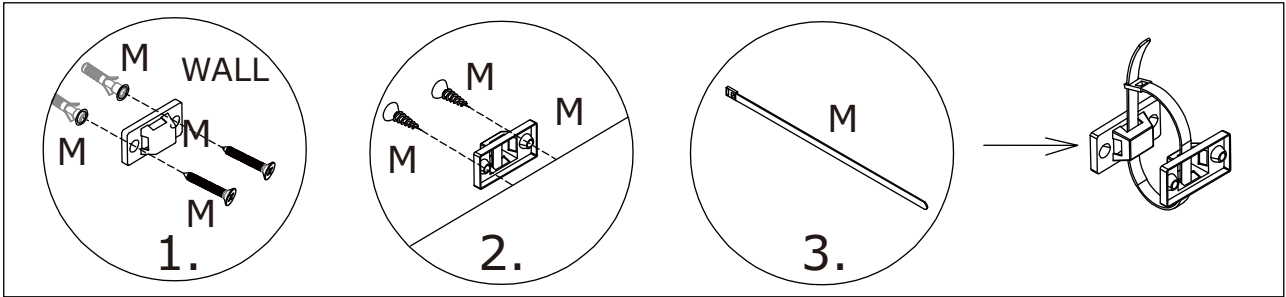
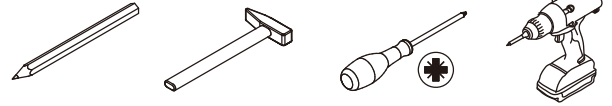
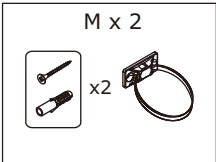


44

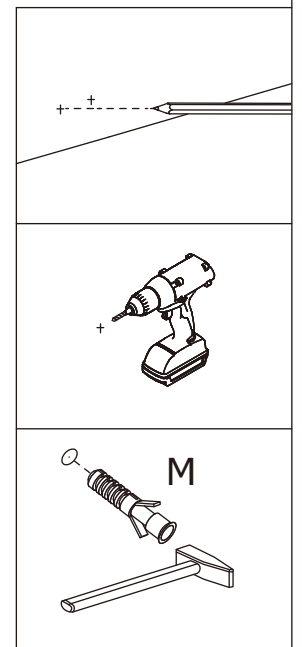
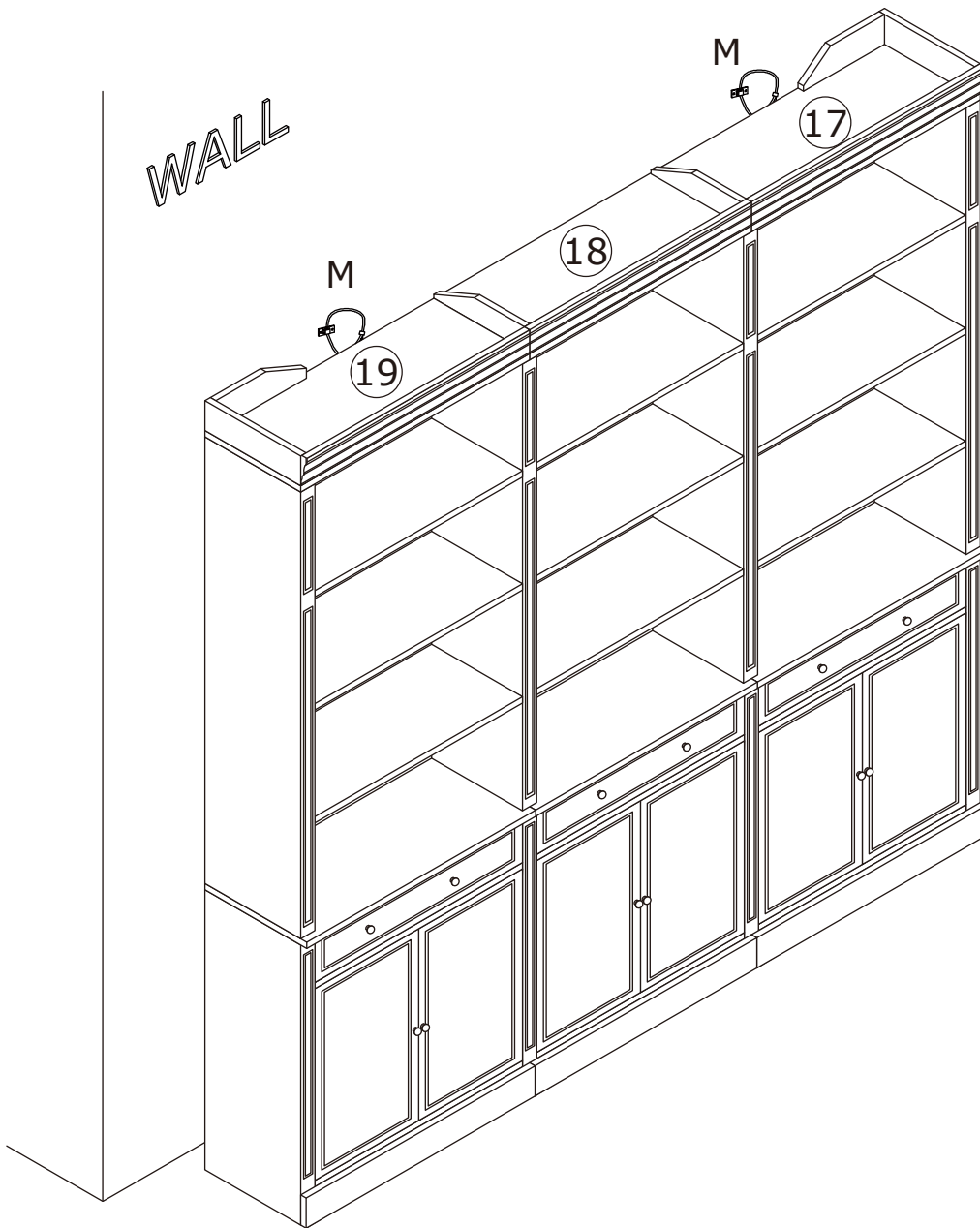
Install the drawer into the cabinet along the track, as shown in the figure.



45



Install the anti-tip accessories on the wall as shown in the figure.



# WARRANTY

## WARRANTY CLAIMS

- There is a 30-day warranty for broken furniture or any other problems that do not work properly. The warranty will start from the date of purchase which must be verified by proof of purchase.
- Before making a claim, we may be able to answer your query, simply call us. Please leave your purchase order number, along with some details of the problem, if you want a replacement part. We will arrange within 48 hours. If there is out of stock, we will reply with a shipping date.
- The product must be used in accordance with the instructions provided. For health reasons.
- For other reasons, if the furniture needs to be returned, it must be cleaned and dried and operated within 30 days of receipt.

## Type of Warranty Claim

- Failure to follow the furniture instructions will invalidate the warranty. Attention please.
- Does not include damage during installation, but includes damage during transportation.

## Scope of responsibility

- Shall not bear any responsibility for misuse or user damage and / or loss of parts during the installation of furniture.
- After using, the damage and scratches of the furniture are not covered by the warranty.

## The Warranty Relates to All Bought in The Us and Covers The Following Areas

- Sheet parts: 1 month from the date of purchase.
- Electrical parts: 1 month from the date of purchase.

# RETURNS

## CHANGED YOUR MIND AND NEED TO RETURN YOU ITEM?

### PLEASE FOLLOW THE BELOW INSTRUCTIONS:

- If you have purchased and have simply changed your mind, follow the retailer's instructions for returns.

### DEFECTIVE ITEMS

- If your item is defective in any way, i.e. it doesn't work but you can't identify why, in the first instance, please call us.

### DAMAGED ITEMS

- If you receive an order with obvious shipping damage from the retailer, then we suggest the delivery is refused. If the delivery has been accepted and then shipping damage is found, please follow the specific instructions advised by the retailer.

In all circumstances please save all packaging material and paperwork for the order. Please be aware that if you dispose of packaging material or attempt to return the merchandise without contacting the fulfiller, you jeopardise your chances of making a claim, and you may not receive a credit for the return.

### AFTER-SALES CONTACT



[adelahu@fufugaga.com](mailto:adelahu@fufugaga.com)



208-820-0068