

## WARRANTY INFORMATION

- Do not expose the surfaces to direct sunlight or to extreme environmental conditions.
- Clean the surfaces preferable with a clean damp cloth, then dry with a clean towel.
- Do not use solvents or abrasive materials to clean the unit. If you decide to use a cleaning agent, test first on an area hidden from view.
- Replacement parts might be available to you at no charge, with an original proof of purchase and where a defect has arisen, wholly or substantially, as a result of faulty manufacturing, parts or workmanship during the Warranty Period.
- The warranty does not extend to regular wear and tear, nor the manufacturer assumes liability for damages or consequences due to accidents, incorrect assembly, negligence, improper use, modifications, or not heeding the above warnings.

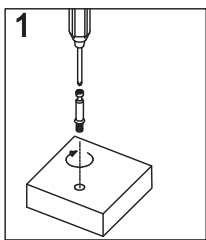
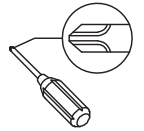
Thank you so much for your support! We hope you enjoy your purchase. If there is any damage or missing accessories, please feel free to contact us for free replacement or refund. You can quickly find us through **Customer Service Line: +1-888-292-2399** **Customer Service Email: [service7770@outlook.com](mailto:service7770@outlook.com)** with your order number, we will try our best to solve this problem for you !

Thank you !

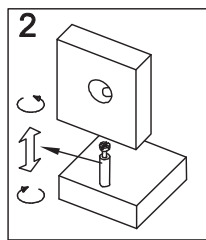
# General Assembly Guidelines

- I. Ensure that all parts and hardware are available before beginning assembly.
- II. Follow each step carefully to ensure the proper assembly of this product.
- III. The three main types of hardware used to assemble this product are: wood dowels, screws and bolts.
- IV. A Phillips head screwdriver is required for the assembly of this product.

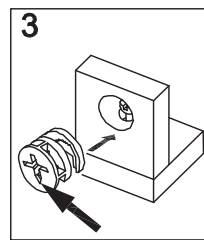
## V. Cam bolt and Cam lock Assembly instruction.



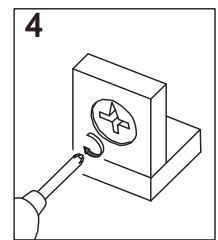
**1**  
Cam bolt  
vertical installation



**2**  
Cam bolt is  
adjustable

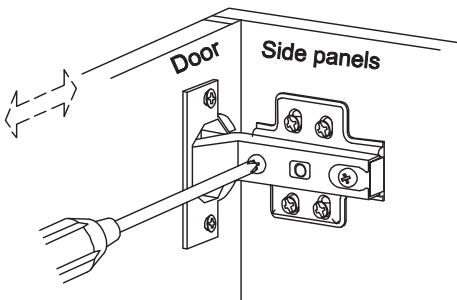


**3**  
Cam lock  
the arrow is towards  
the Cam bolt

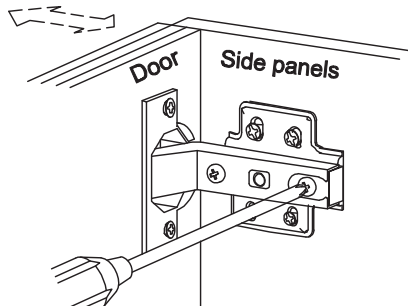


**4**  
180°  
Ensure locking

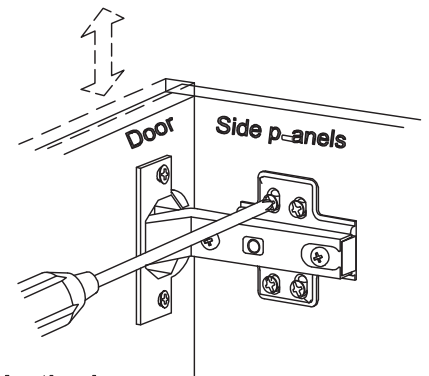
## VI. Concealed hinges are three-way adjustable.



Horizontal  
by screw adjustment

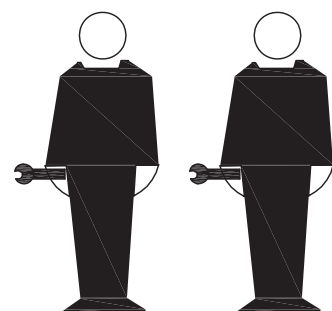


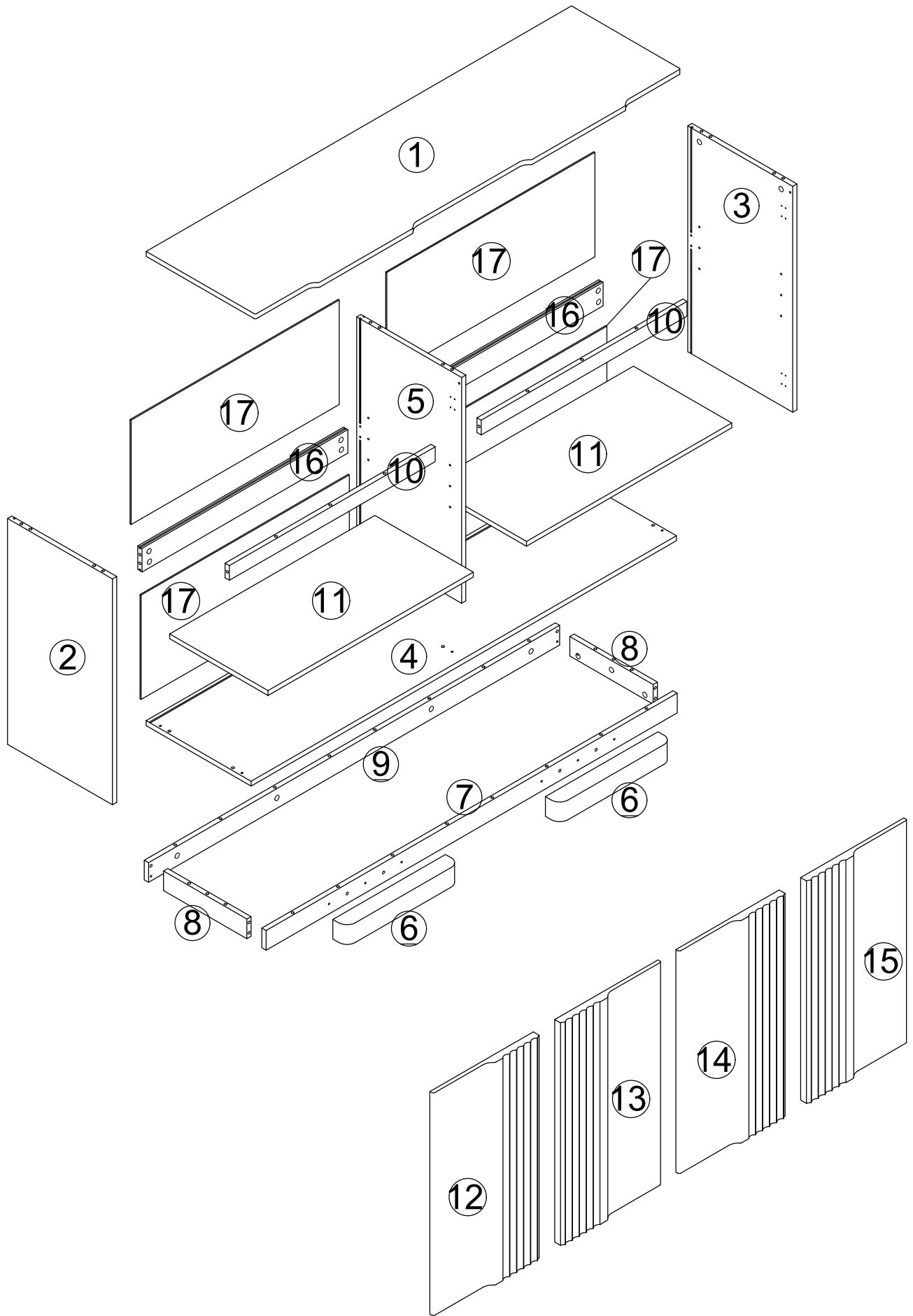
In-and-Out  
by loosening the hinge-arm  
mounting screw or via cam  
adjustment

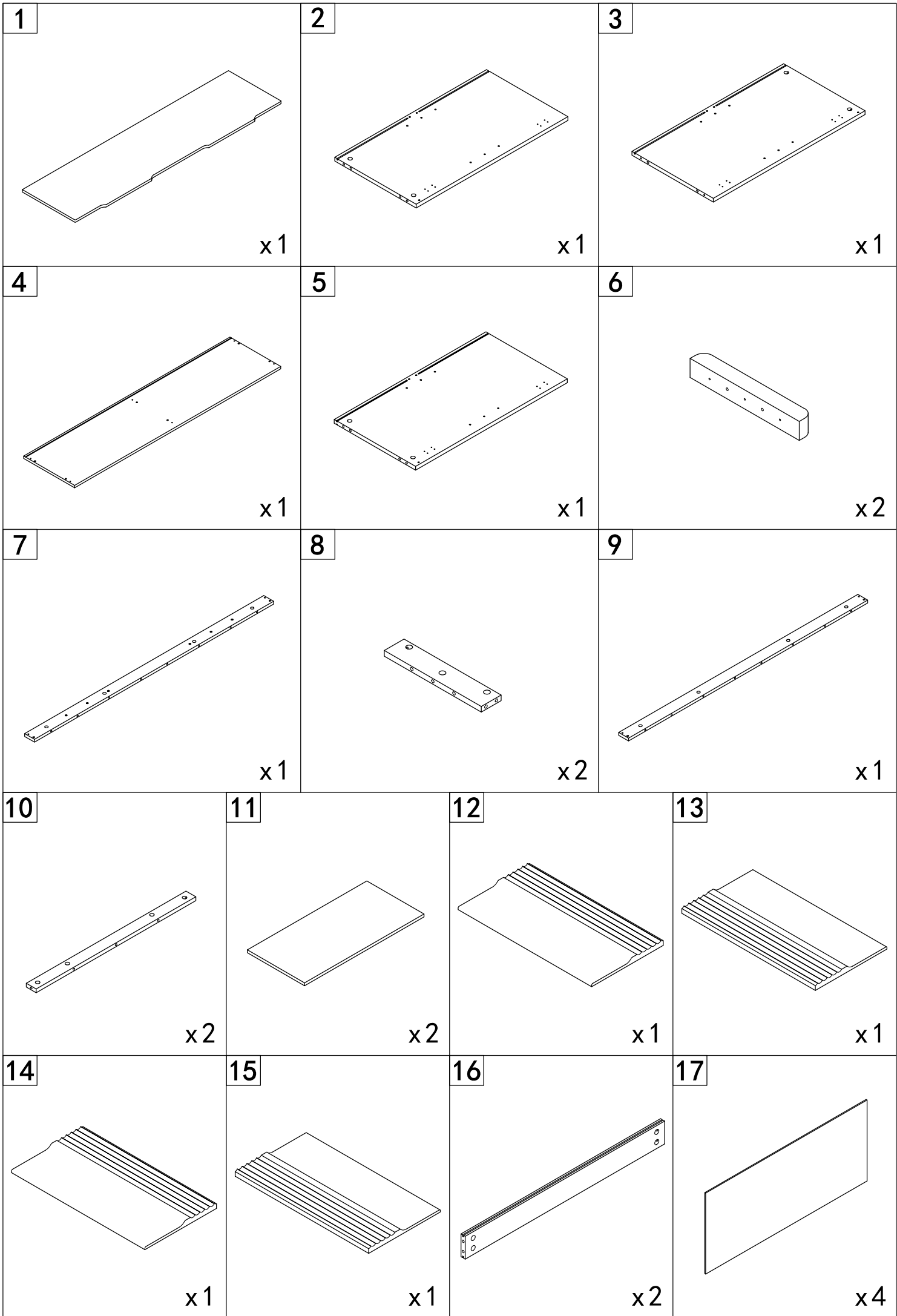


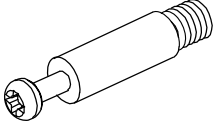
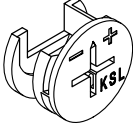
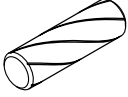
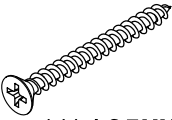
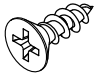
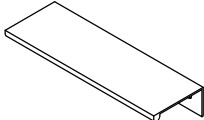
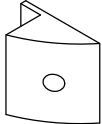
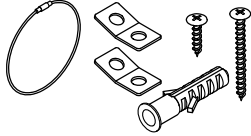
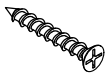
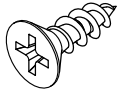
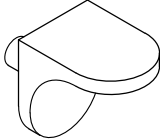
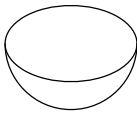
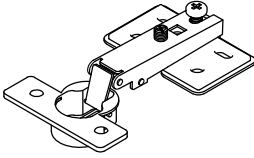
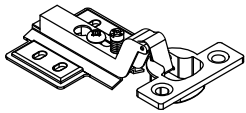
Vertical  
Via slots in the mounting  
plate or via cam adjustment

## VII. Two people are recommended for ease in the assembly of this product.

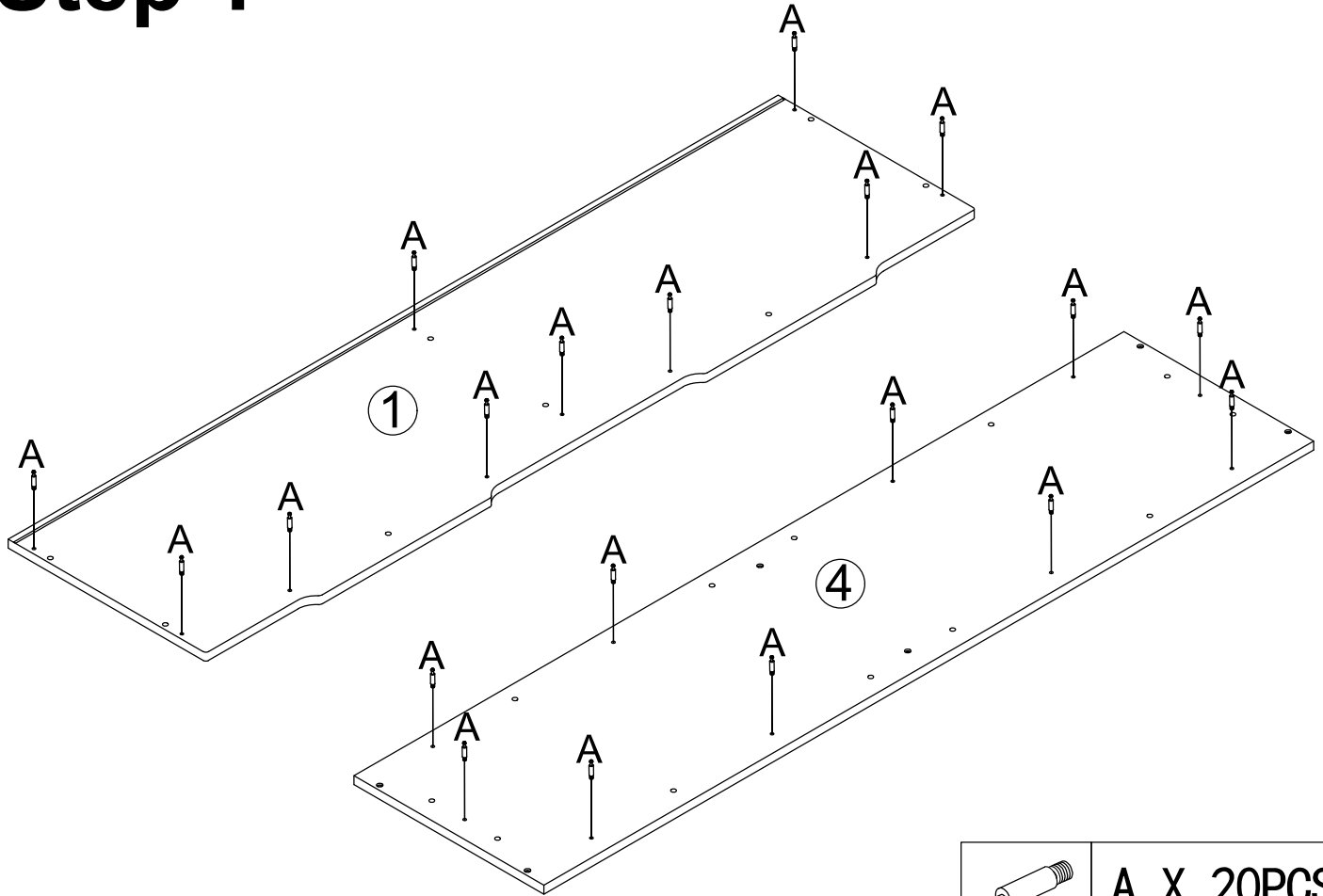




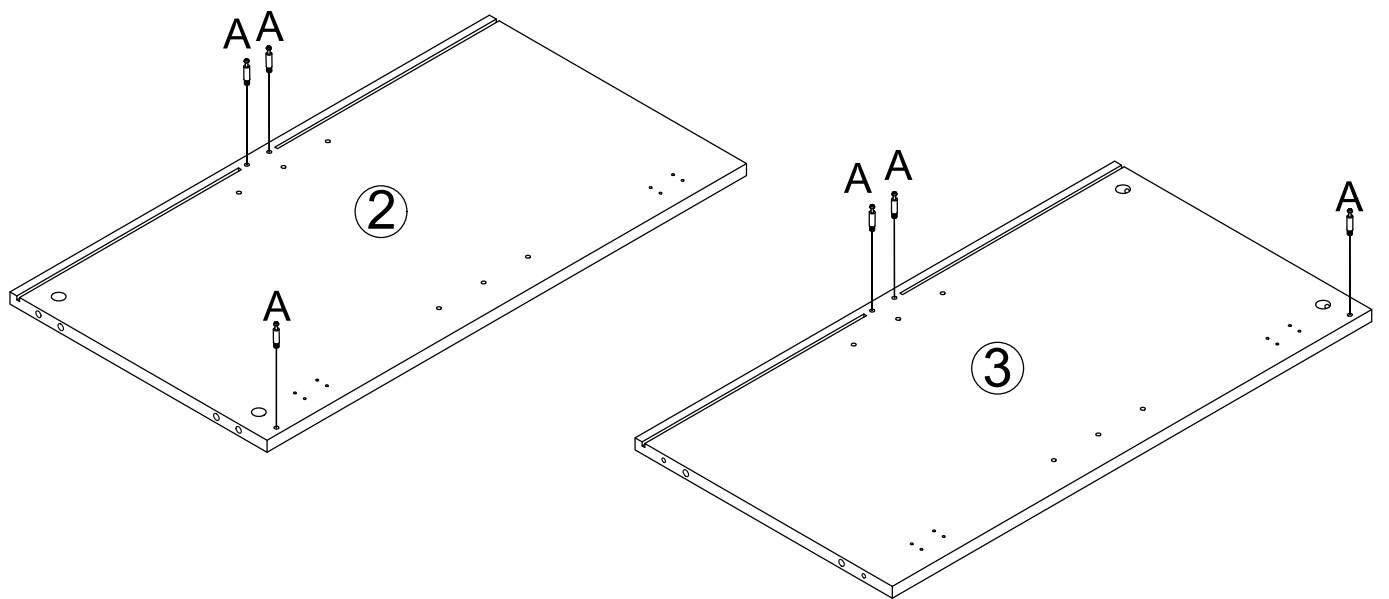


|  |   |   |
|--|---|---|
| <p>A</p>  <p>36PCS</p>                    | <p>B</p>  <p>36PCS</p>               | <p>C</p>  <p>∅8*30MM</p> <p>34PCS</p>  |
| <p>D</p>  <p>M4*35MM</p> <p>12PCS</p>     | <p>E</p>  <p>M3*12MM</p> <p>8PCS</p> | <p>F</p>  <p>4PCS</p>                  |
| <p>G</p>  <p>16PCS</p>                   | <p>H</p>  <p>2PCS</p>               | <p>I</p>  <p>M3*16MM</p> <p>16PCS</p> |
| <p>J</p>  <p>M3.5*12MM</p> <p>48PCS</p> | <p>K</p>  <p>8PCS</p>              | <p>L</p>  <p>4PCS</p>                |
| <p>M</p>  <p>4PCS</p>                   | <p>N</p>  <p>4PCS</p>              |   |

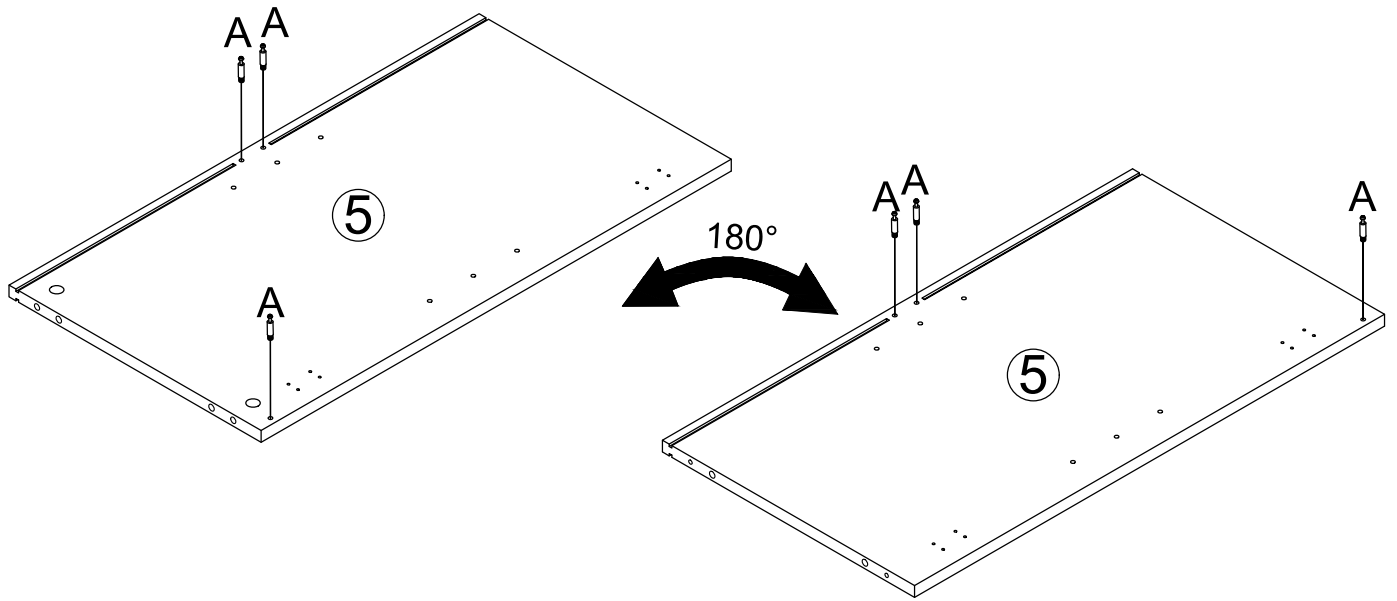
# Step 1



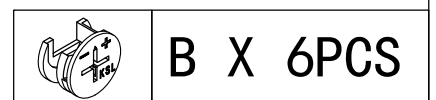
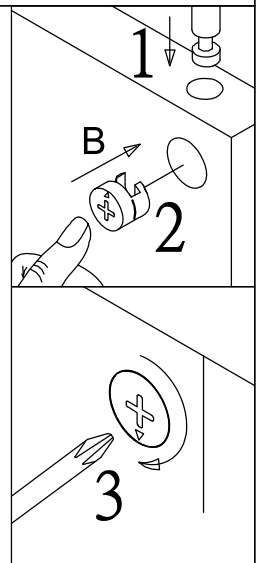
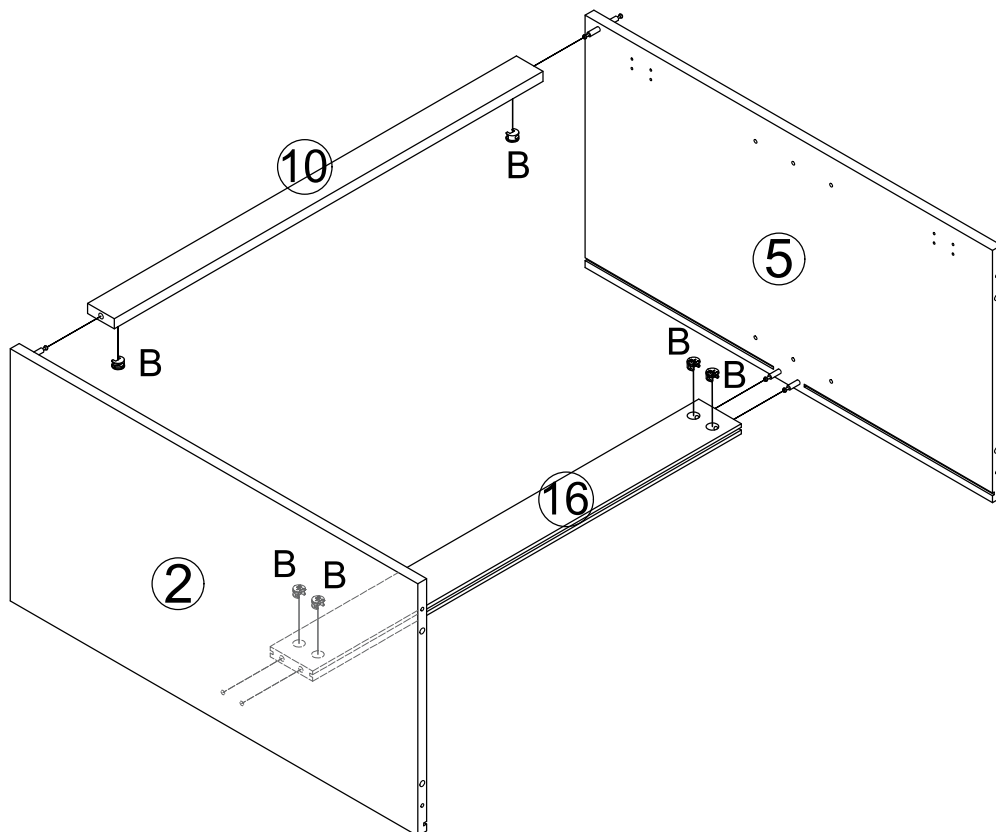
# Step 2



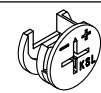
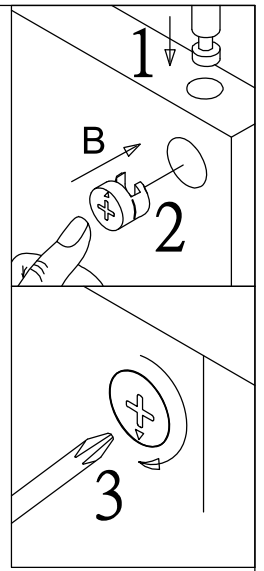
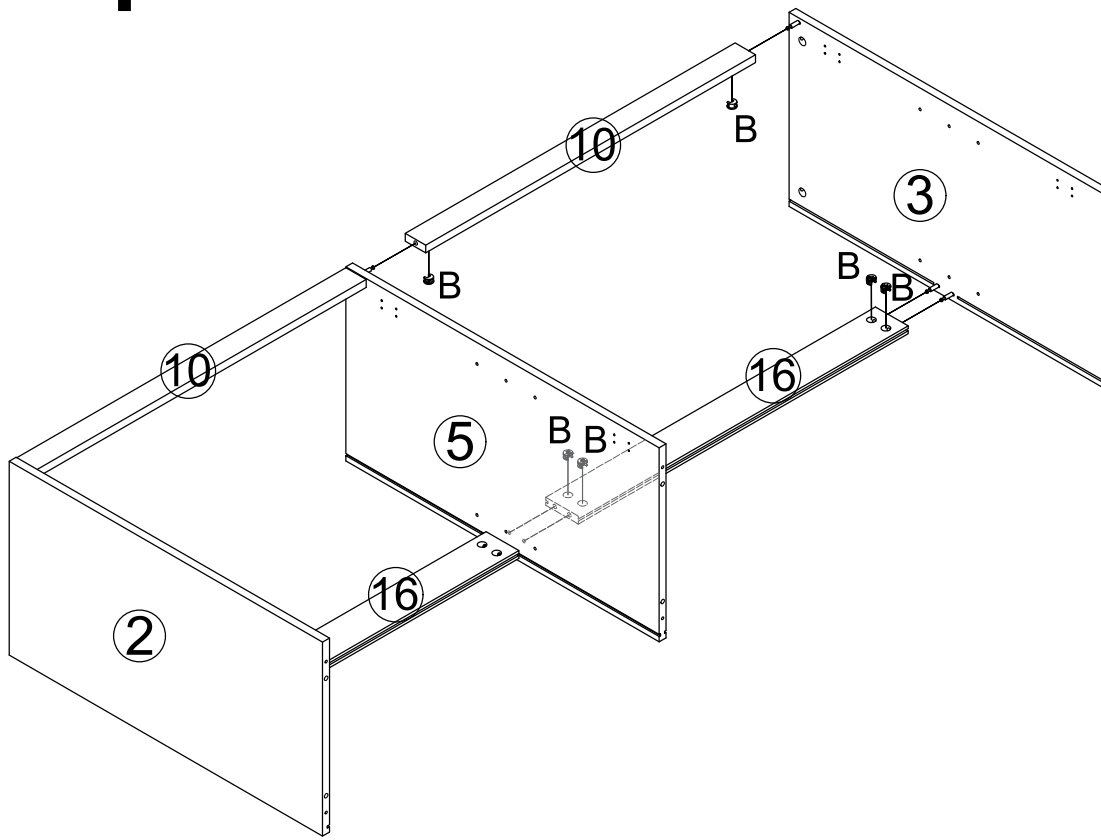
# Step 3



# Step 4

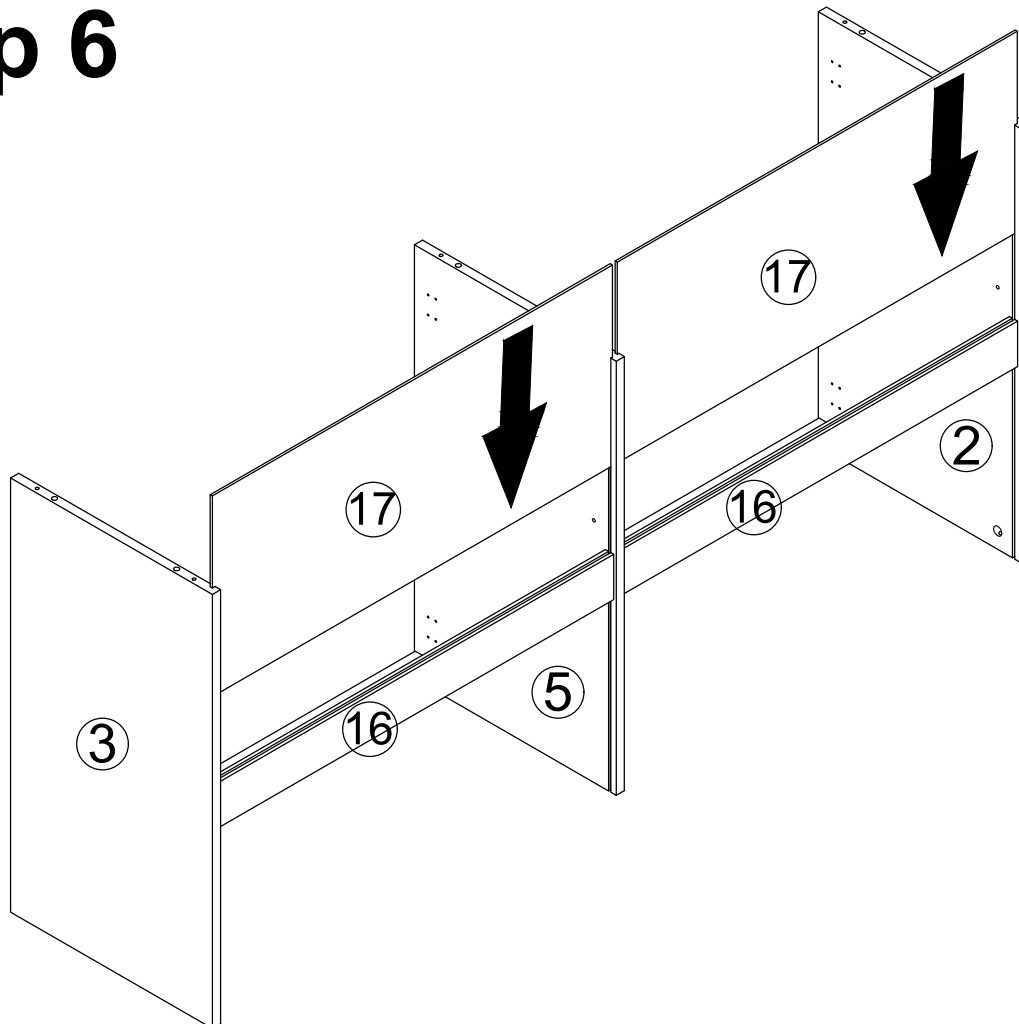


# Step 5

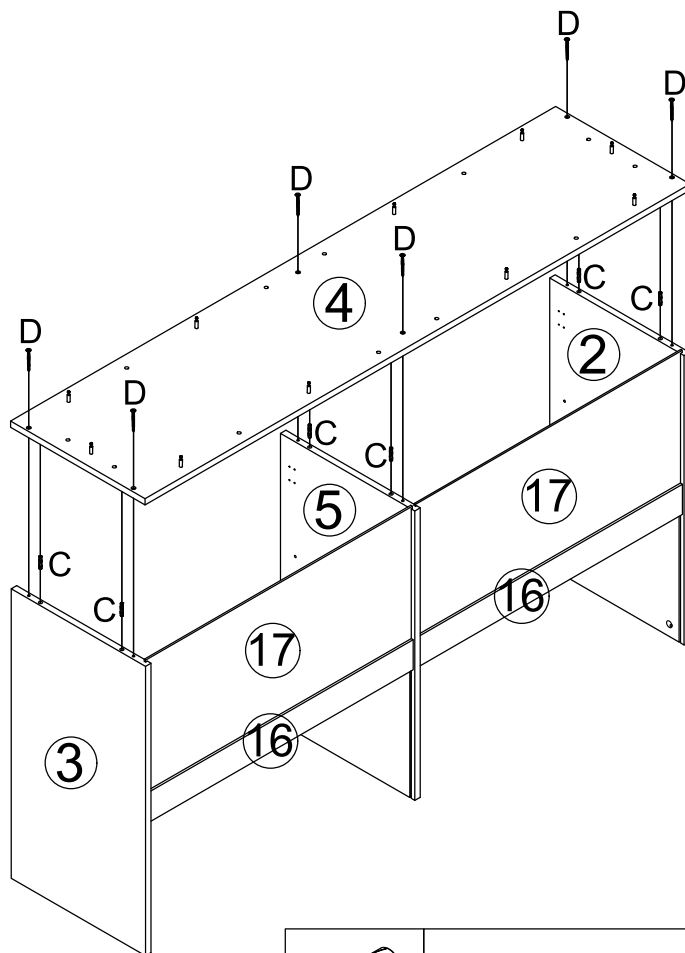


B X 6PCS

# Step 6

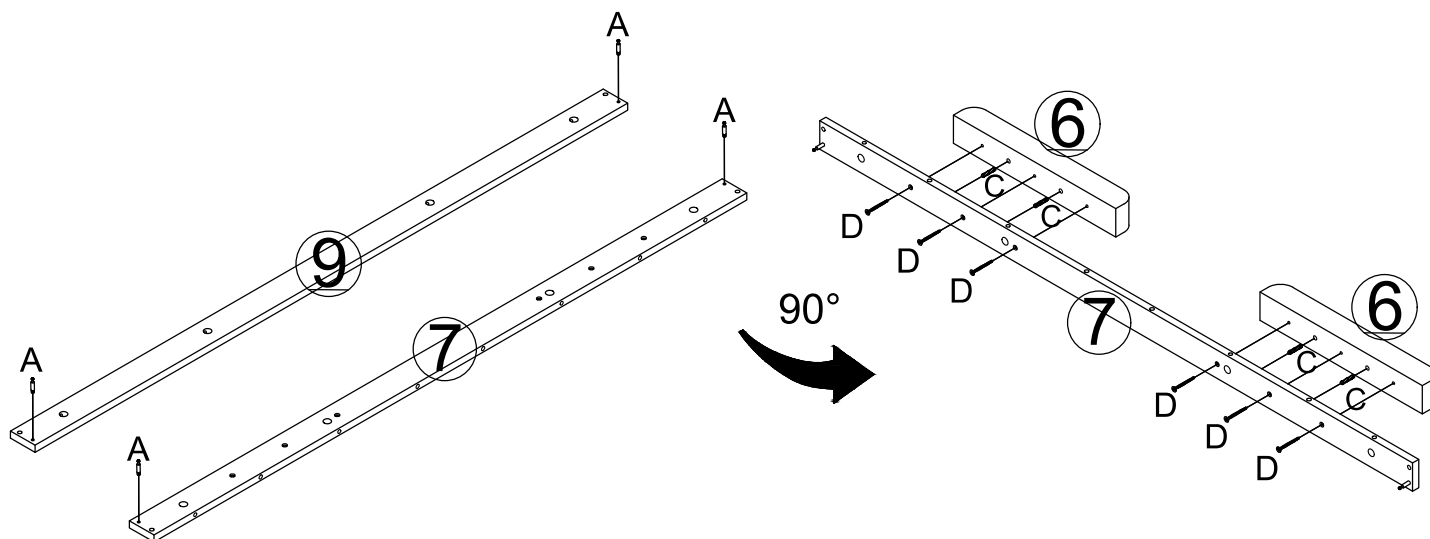


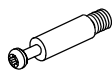


# Step 7



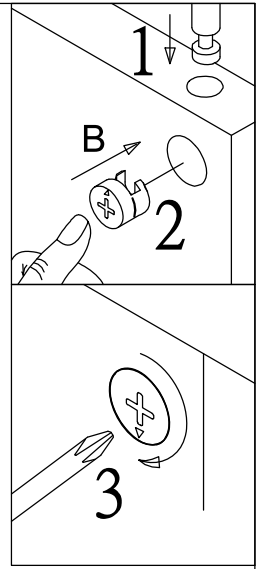
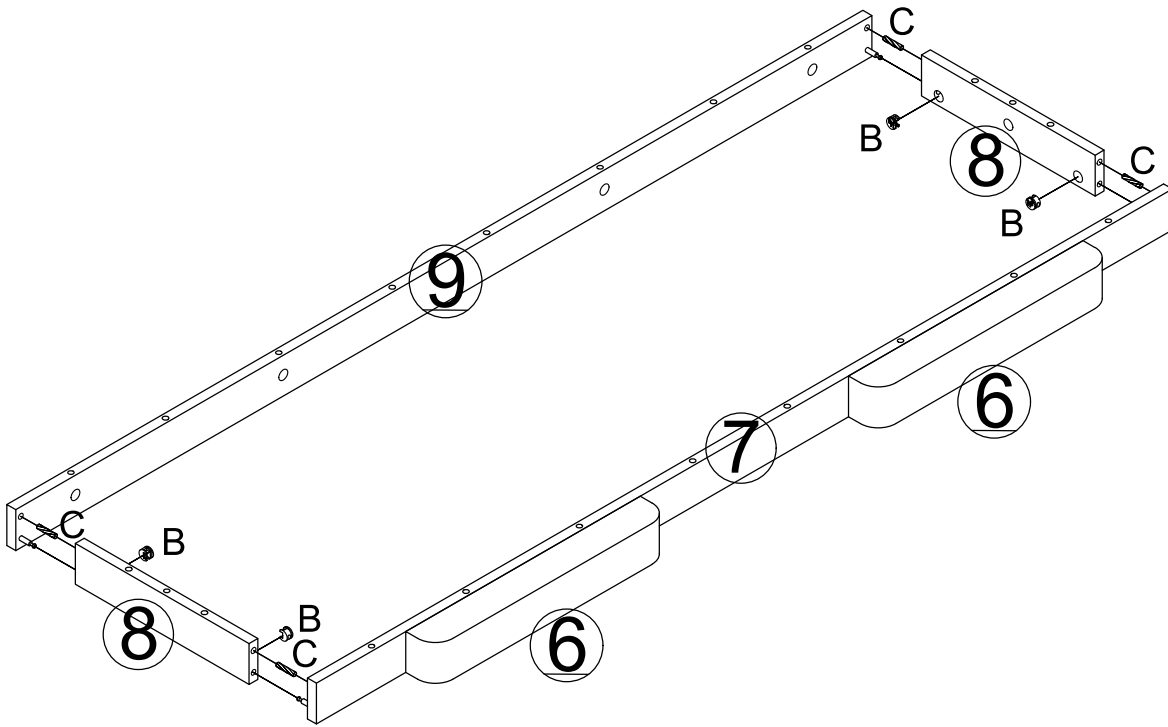
|   |          |   |          |
|---|----------|---|----------|
|  | C X 6PCS |  | D X 6PCS |
|---|----------|---|----------|



# Step 8



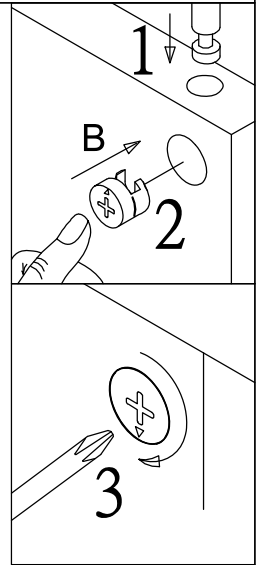
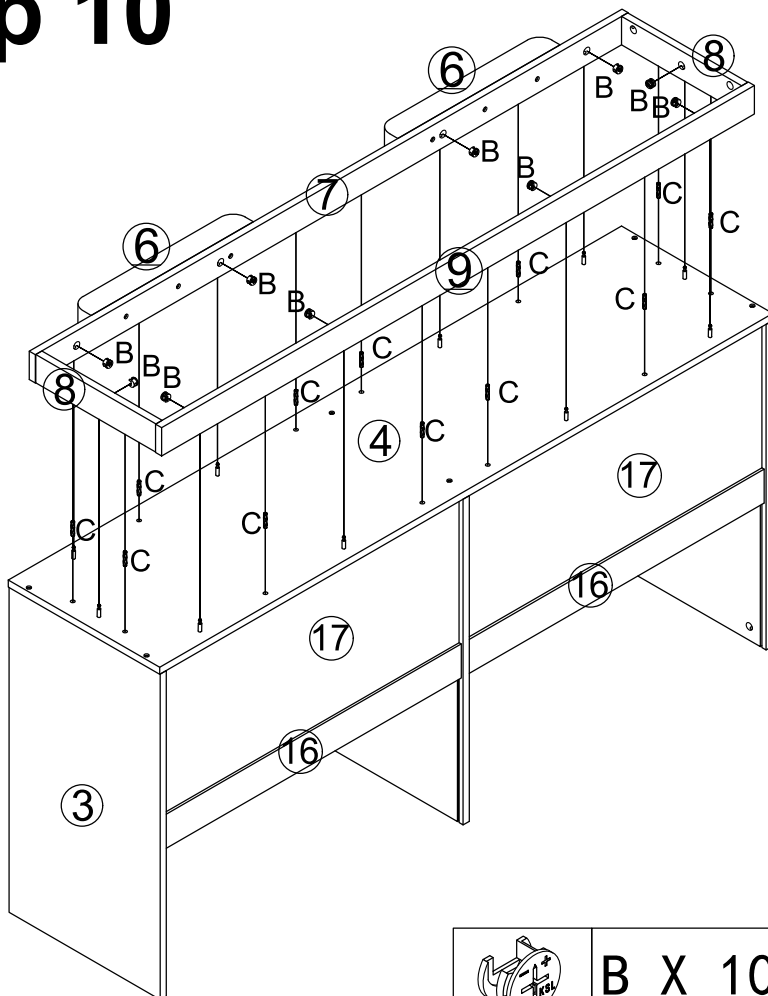
|   |          |   |          |   |          |
|---|----------|---|----------|---|----------|
|  | A X 4PCS |  | C X 4PCS |  | D X 6PCS |
|---|----------|---|----------|---|----------|



# Step 9



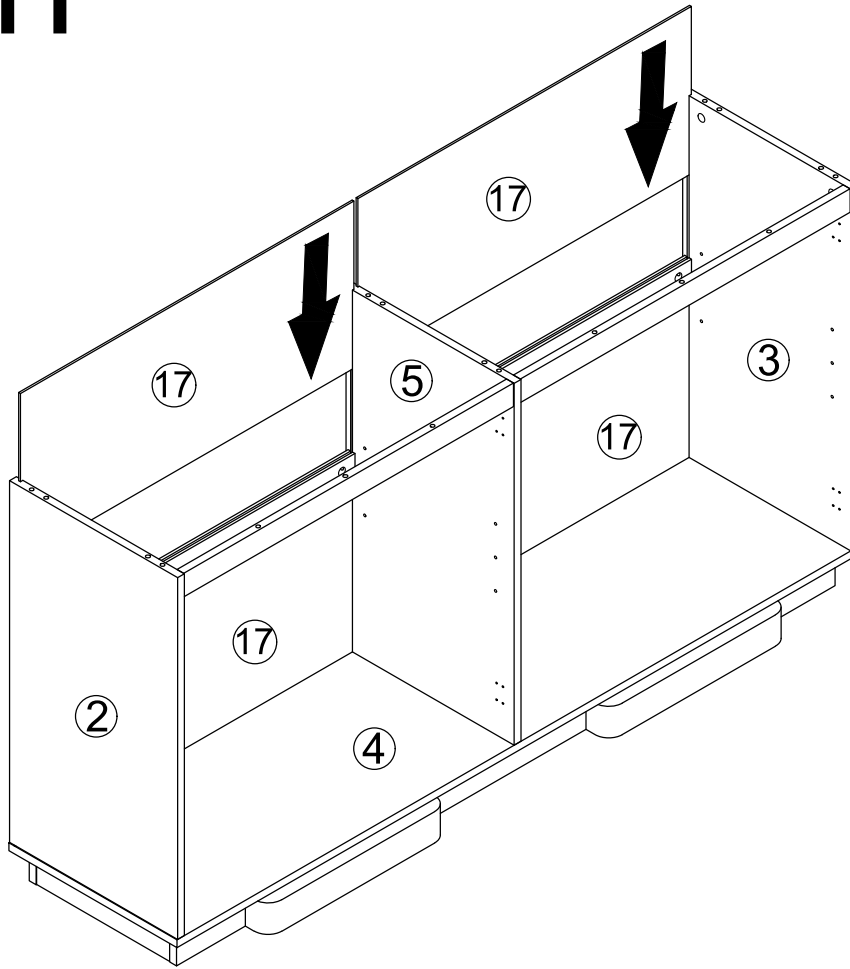
|   |          |   |          |
|---|----------|---|----------|
|  | B X 4PCS |  | C X 4PCS |
|---|----------|---|----------|

# Step 10

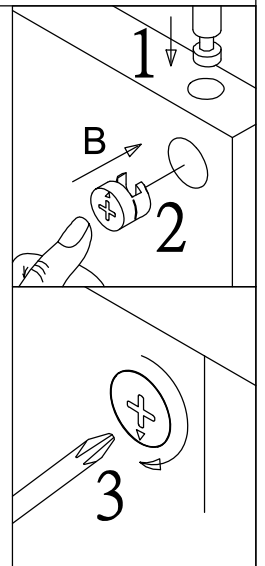
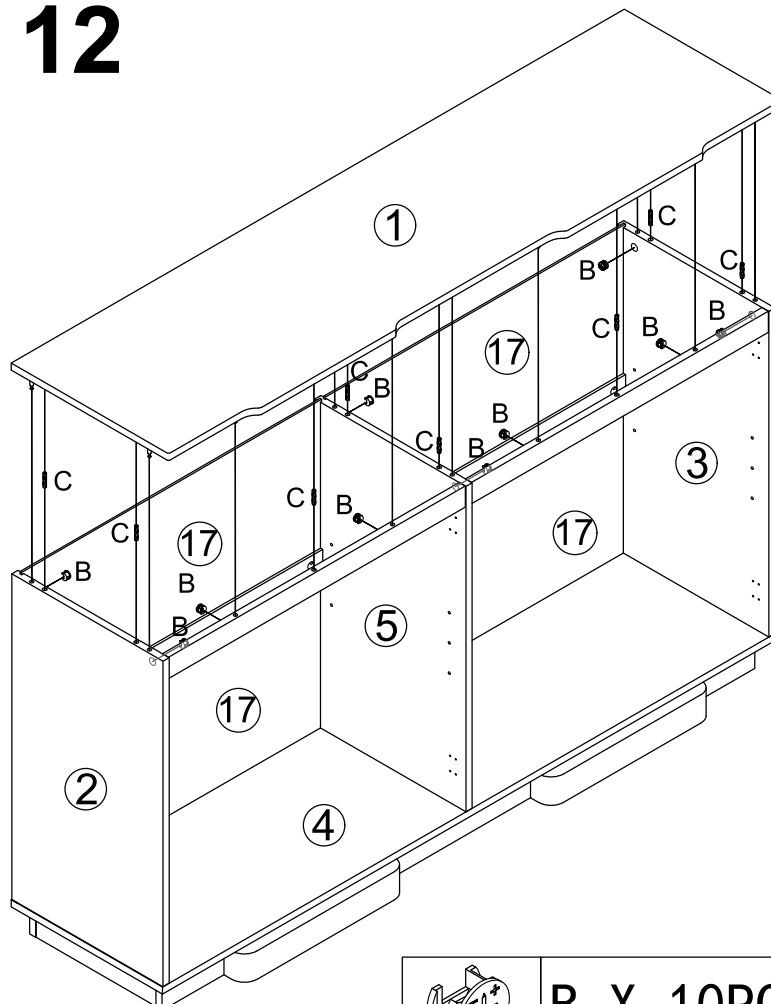



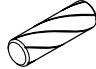
|   |           |   |           |
|---|-----------|---|-----------|
|  | B X 10PCS |  | C X 12PCS |
|---|-----------|---|-----------|

# Step 11

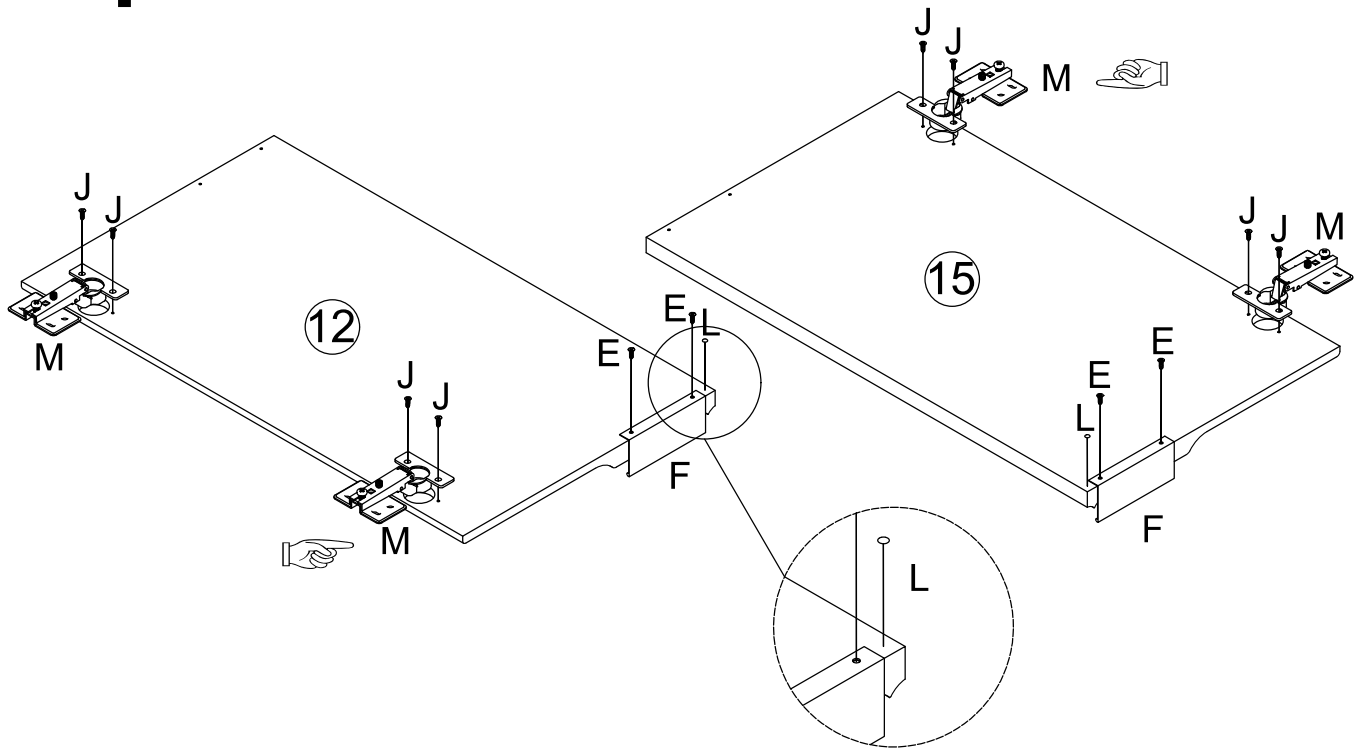




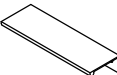
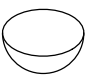
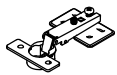
# Step 12



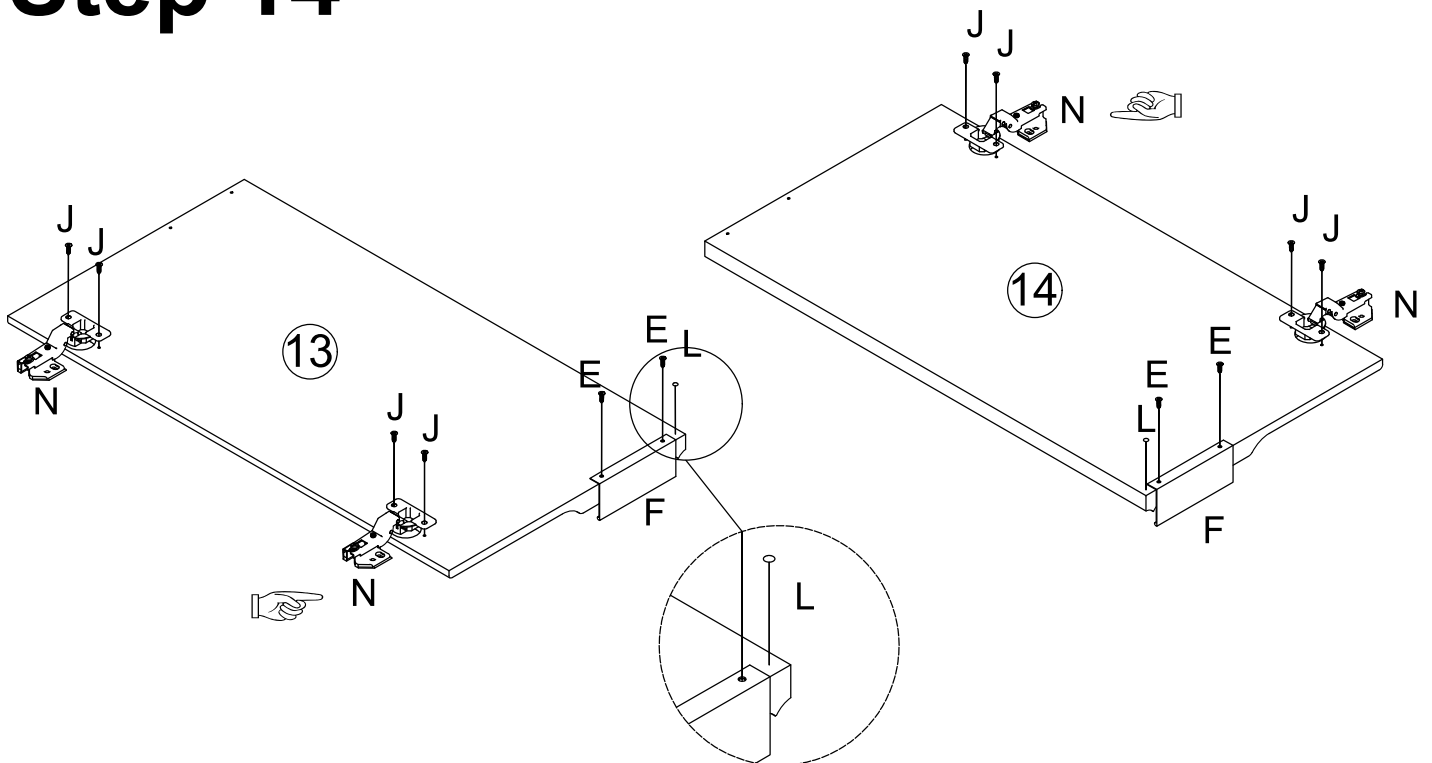
|   |           |   |          |
|---|-----------|---|----------|
|  | B X 10PCS |  | C X 8PCS |
|---|-----------|---|----------|

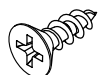

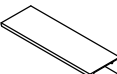
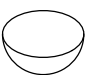

# Step 13



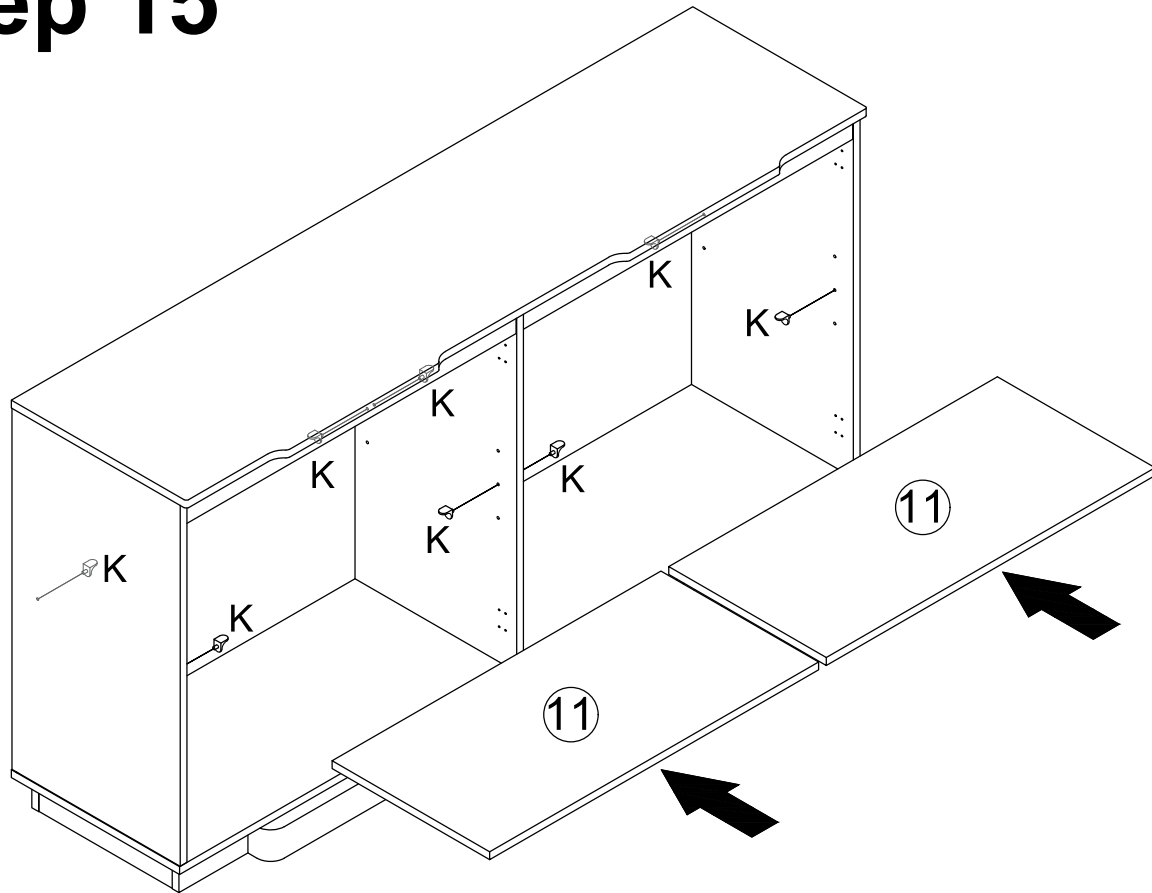
|   |          |   |          |   |          |
|---|----------|---|----------|---|----------|
|  | J X 8PCS |    | E X 4PCS |    | F X 2PCS |
|   |          |  | L X 2PCS |  | M X 4PCS |

# Step 14



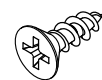
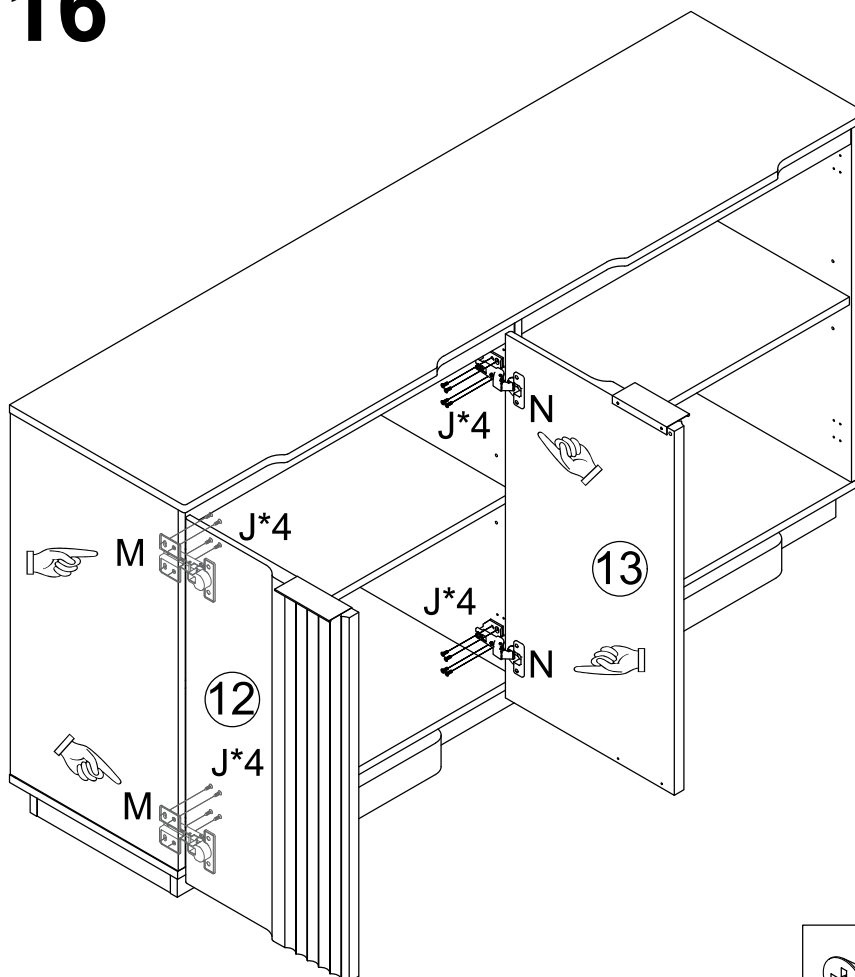
|   |          |   |          |   |          |
|---|----------|---|----------|---|----------|
|  | J X 8PCS |  | E X 4PCS |  | F X 2PCS |
|   |          |  | L X 2PCS |  | N X 4PCS |

# Step 15



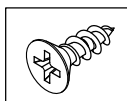
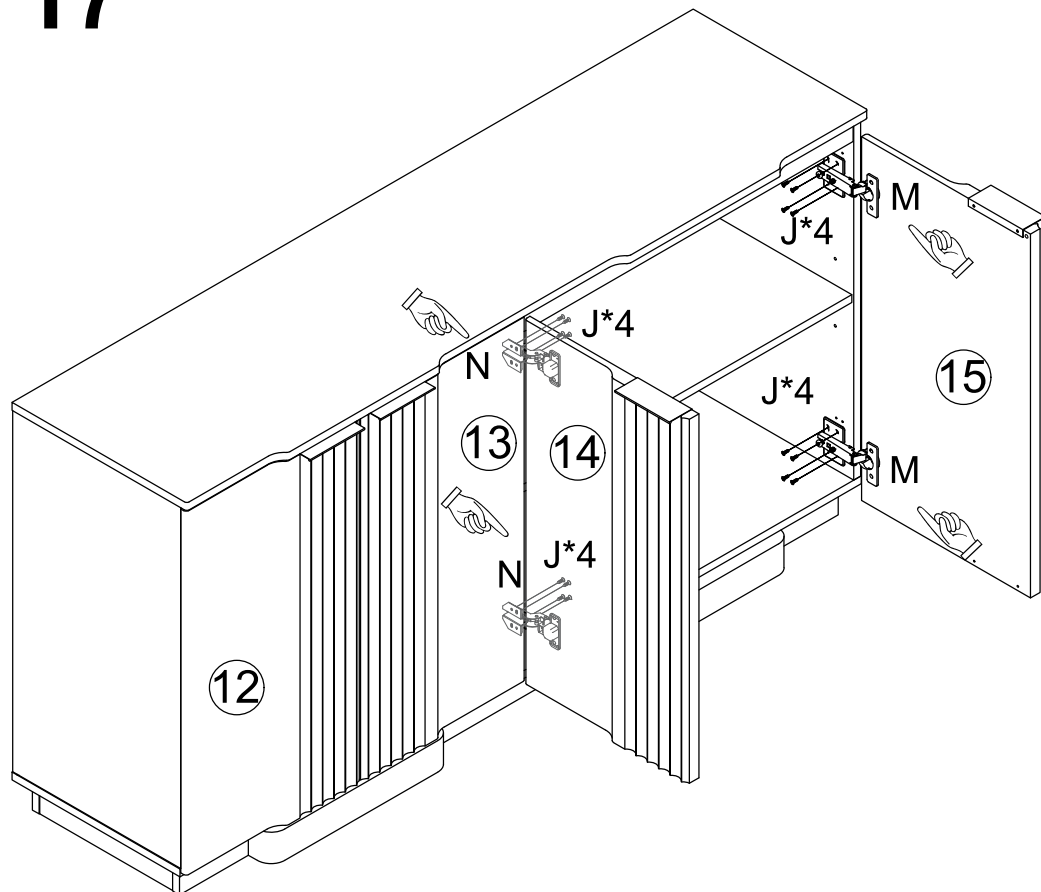
K X 8PCS

# Step 16



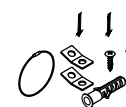
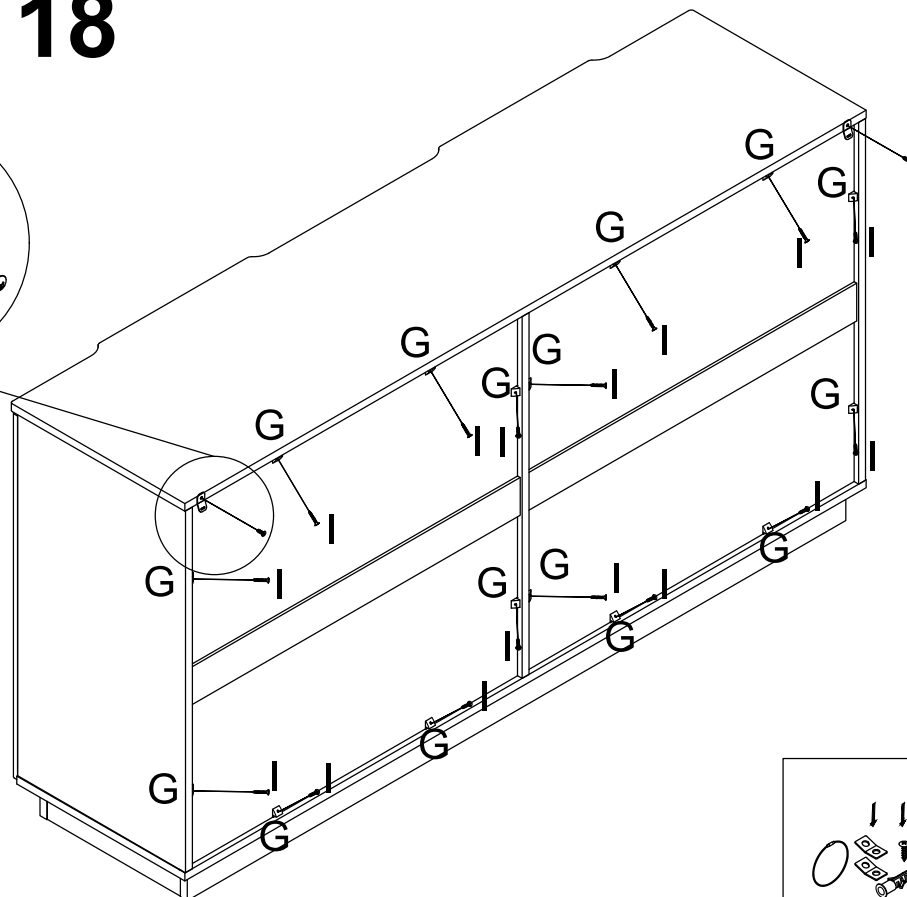
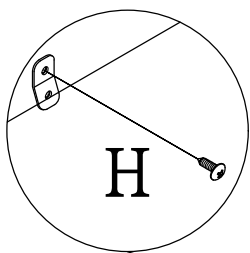
J X 16PCS

# Step 17



J X 16PCS

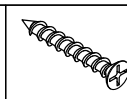
# Step 18



H X 2PCS

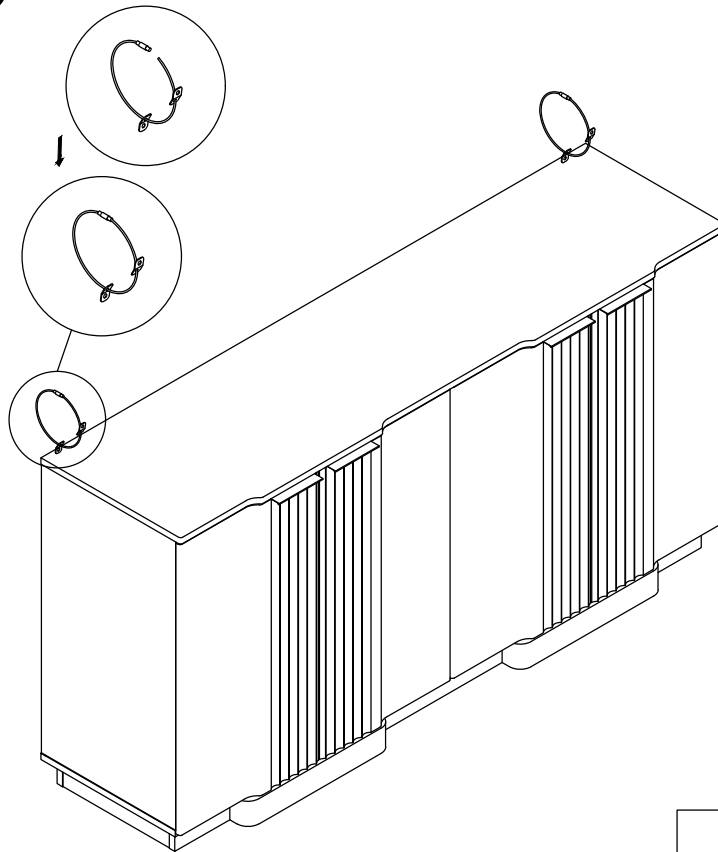


G X 16PCS



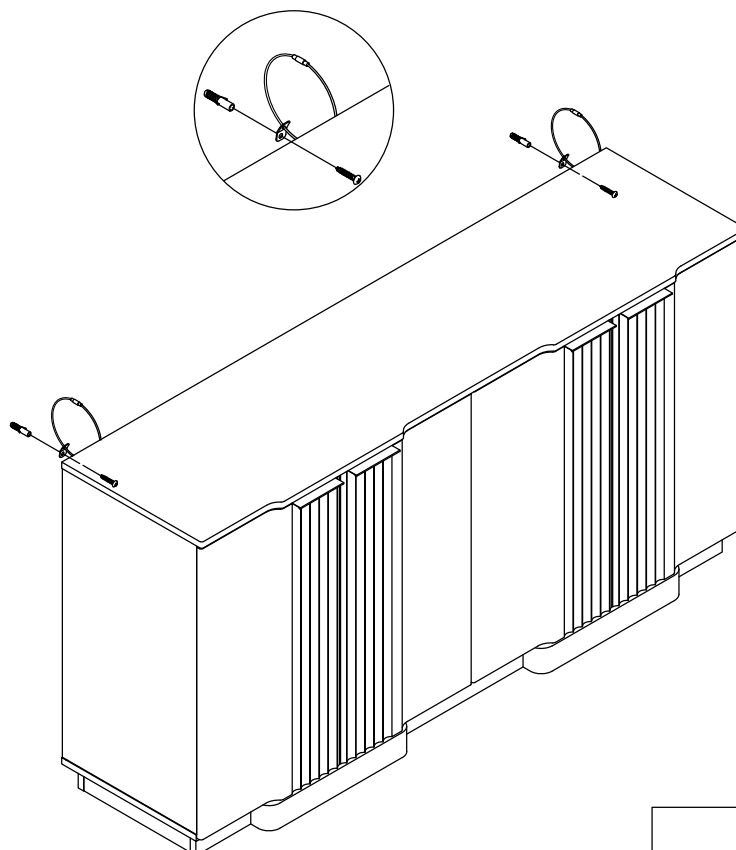
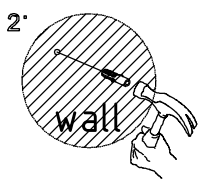
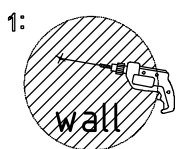
I X 16PCS


# Step 19



 H X 2PCS

# Step 20

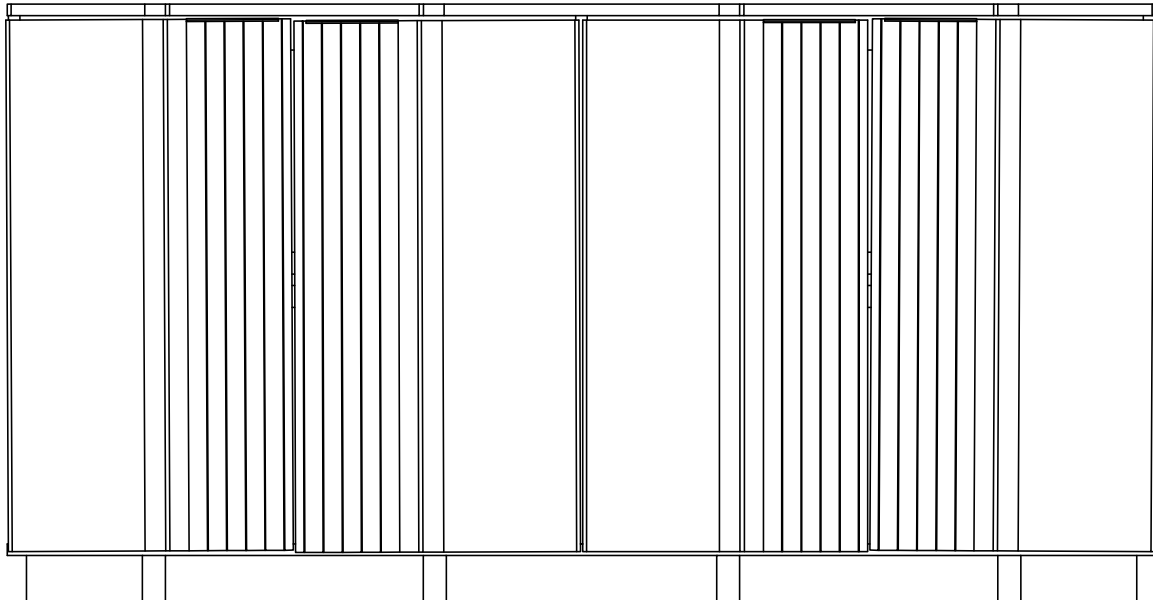


 H X 2PCS

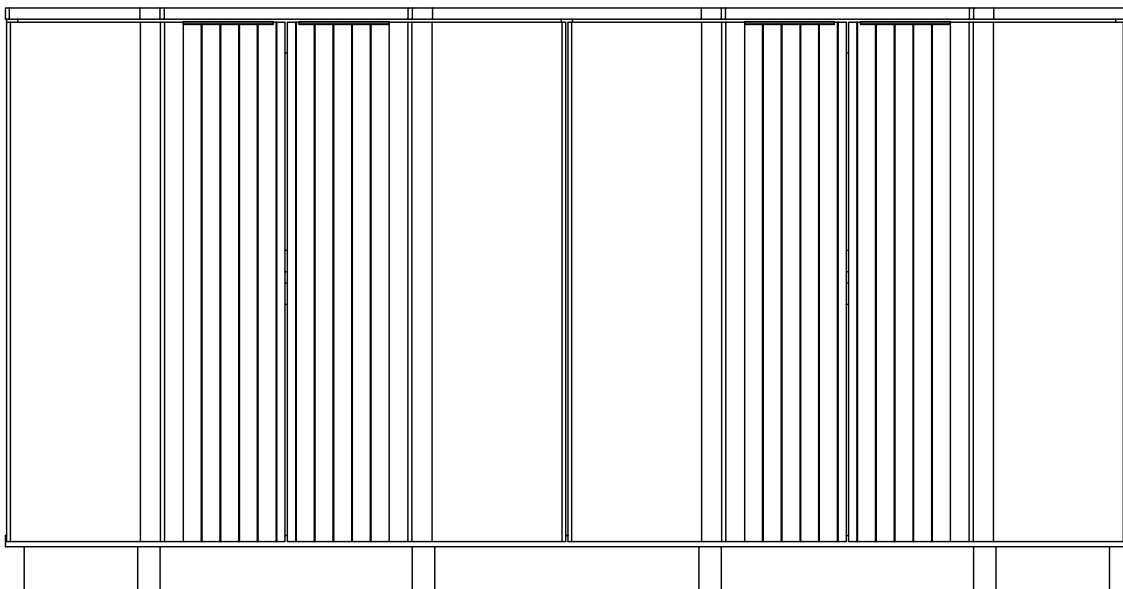
**Customer Service Line: +1-888-292-2399**

**Customer Service Email: [service7770@outlook.com](mailto:service7770@outlook.com)**

# Before



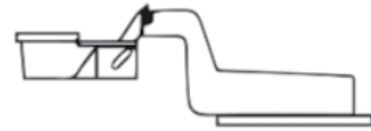
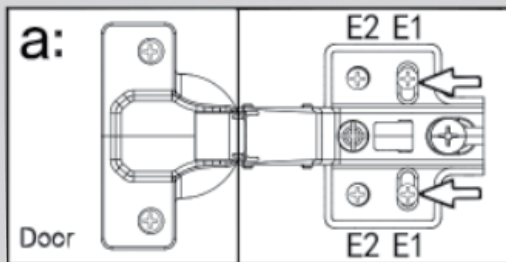
# After



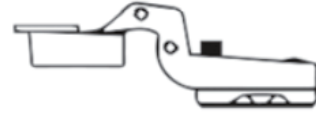
Installation tips: If the height of the door is inconsistent after installation, please Hinge adjustment.

## Hinge adjustment

To facilitate the adjustment, install the E1 screw first, and then install the E2 screw.



Great bend



Middle curve

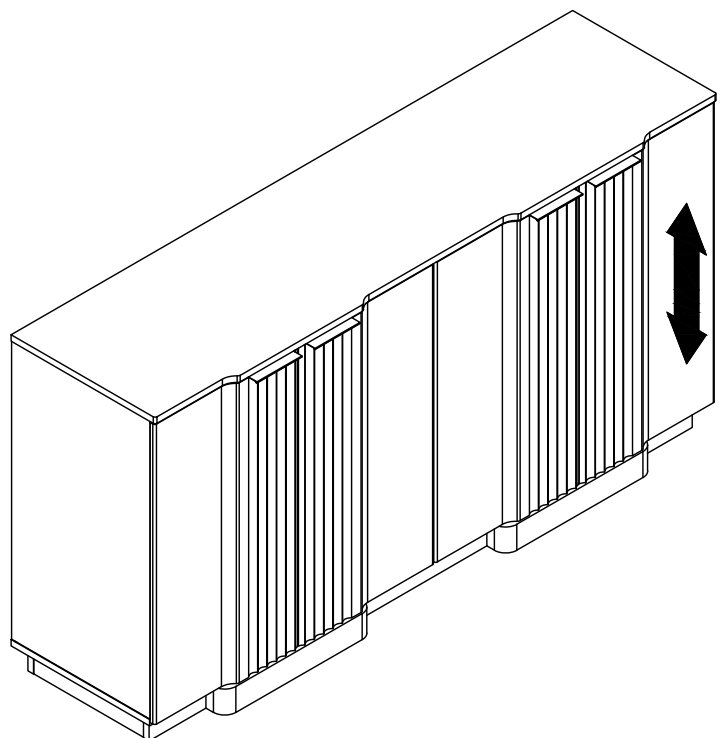
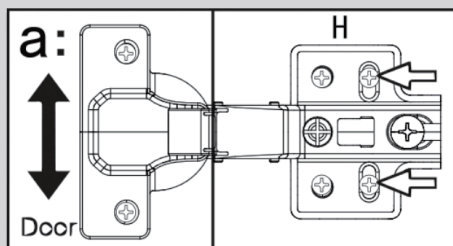


Straight arm

## Hinge adjustment

a: To move doors up or down: loosen screws shown and move doors to suit.

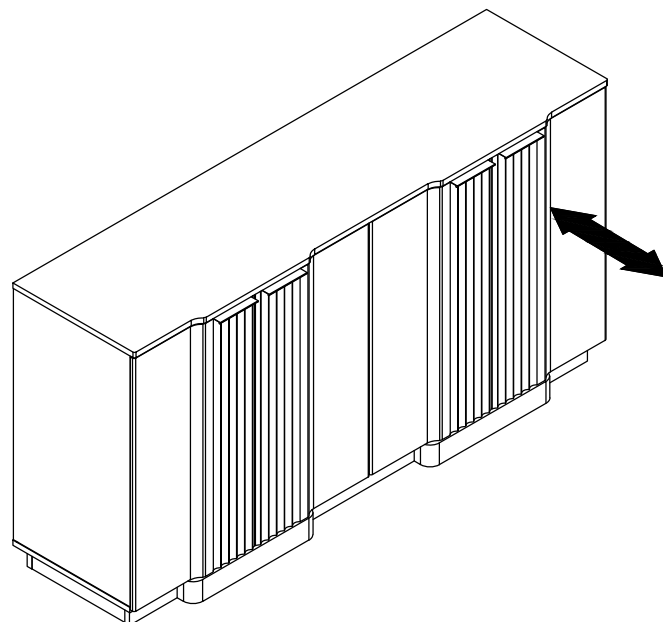
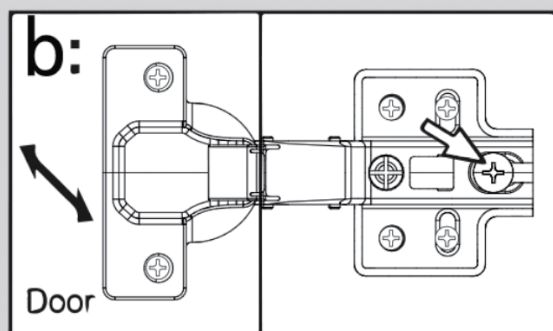
Once doors are aligned, re-tighten Screws H



## Hinge adjustment

**b:** To move doors in or out: loosen screw shown and move doors to suit.

Re-tighten screws



## Hinge adjustment

**c:** To move doors left or right: loosen screw shown and move doors to suit.

Re-tighten screws

