

ASSEMBLY INSTRUCTIONS



END TABLE

ASSEMBLY INSTRUCTIONS

ASSEMBLY TIPS:

1. Remove hardware from box and sort by size.
2. Please check to see that all hardware and parts are present prior to start of assembly.
3. Please follow attached instructions in the same sequence as numbered to assure fast & easy assembly.



WARNING!

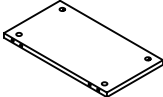
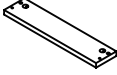
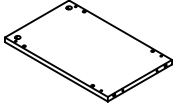
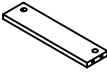
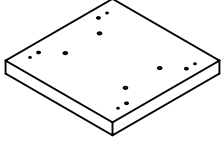
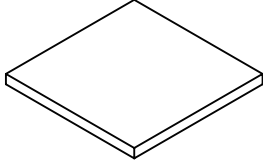
1. Don't attempt to repair or modify parts that are broken or defective. Please contact the store immediately.
2. This product is for home use only and not intended for commercial establishments.



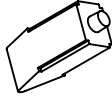
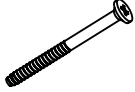
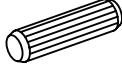


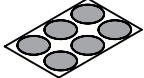

ASSEMBLY TIME

30 MINUTES

PARTS IDENTIFICATION

A	SIDE PANEL		2 PCS	D	LONG CROSS BRACE		2 PCS
B	DIVIDER PANEL		2 PCS	E	SHORT CROSS BRACE		2 PCS
C	BOTTOM PANEL		1 PC	F	TOP PANEL		1 PC

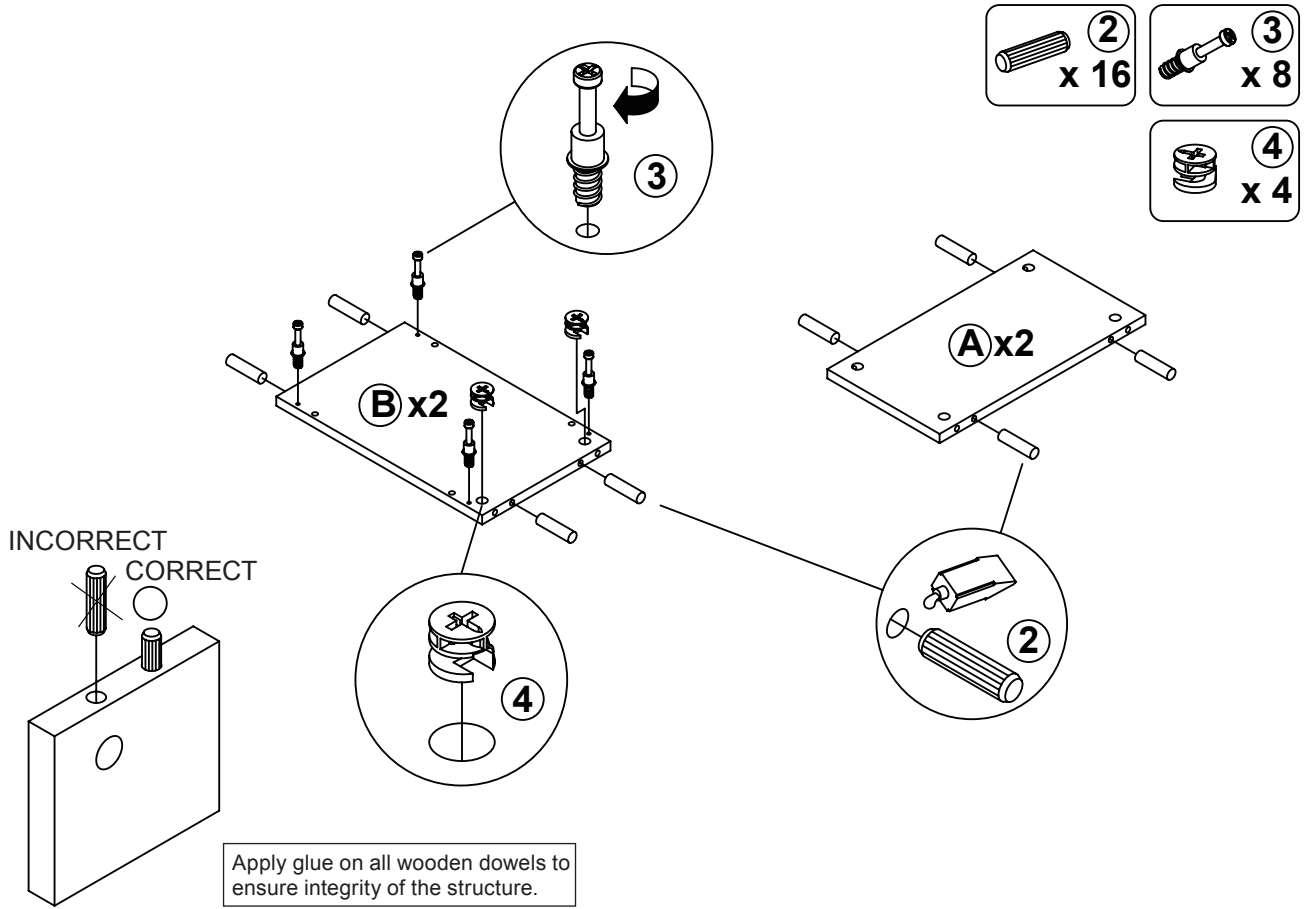
HARDWARE IDENTIFICATION

Z	NO	DESCRIPTION	FIGURE	Q'TY	NO	DESCRIPTION	FIGURE	Q'TY
	1	GLUE 40g		1 PC	5	BOLT Ø 9.5x55mm		4 PCS
	2	WOODEN DOWEL Ø 8x30mm		24 PCS	6	PLASTIC FEET Ø 15mm		4 PCS
	3	CAM BOLT Ø 7x35.5mm		20 PCS	7	STICKER Ø 20mm		4 PCS
	4	CAM LOCK Ø15x12mm		20 PCS				

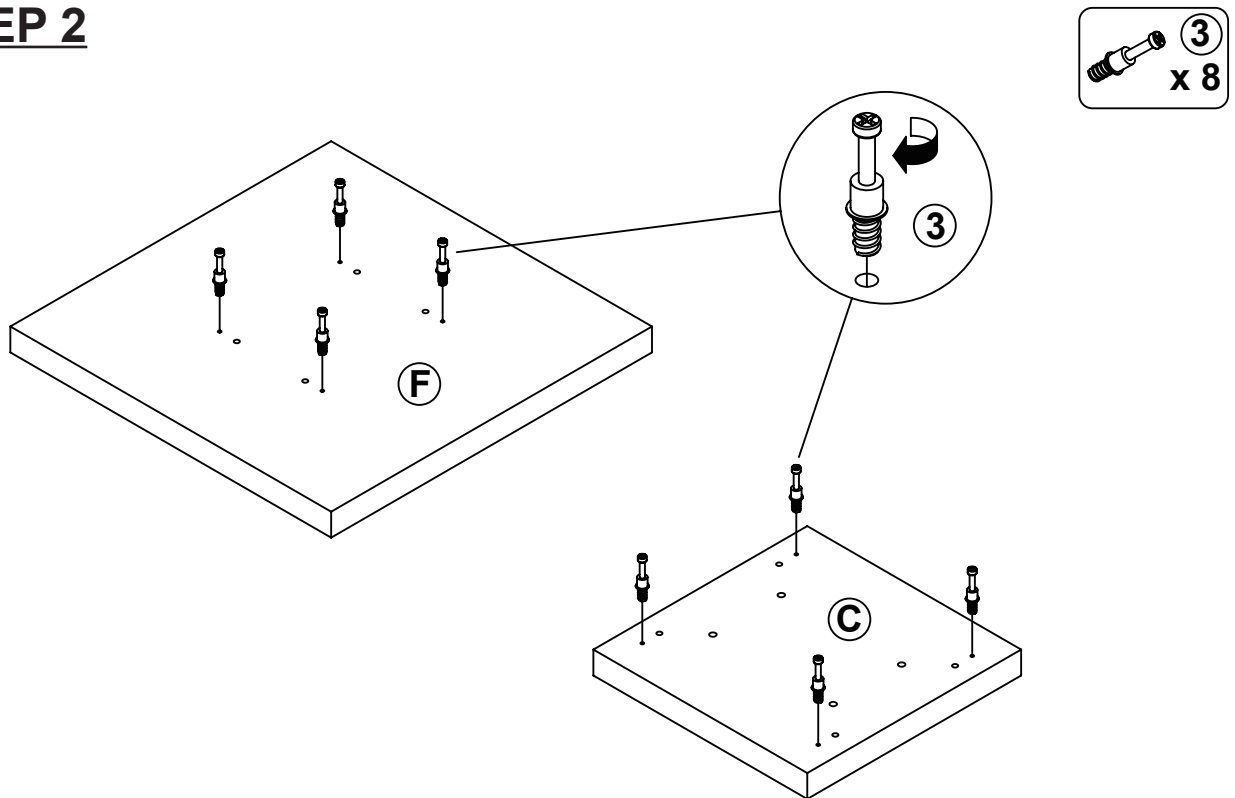
NOTE:

Phillips head screw driver is required in the assembly process; however, manufacturer does not provide this item.

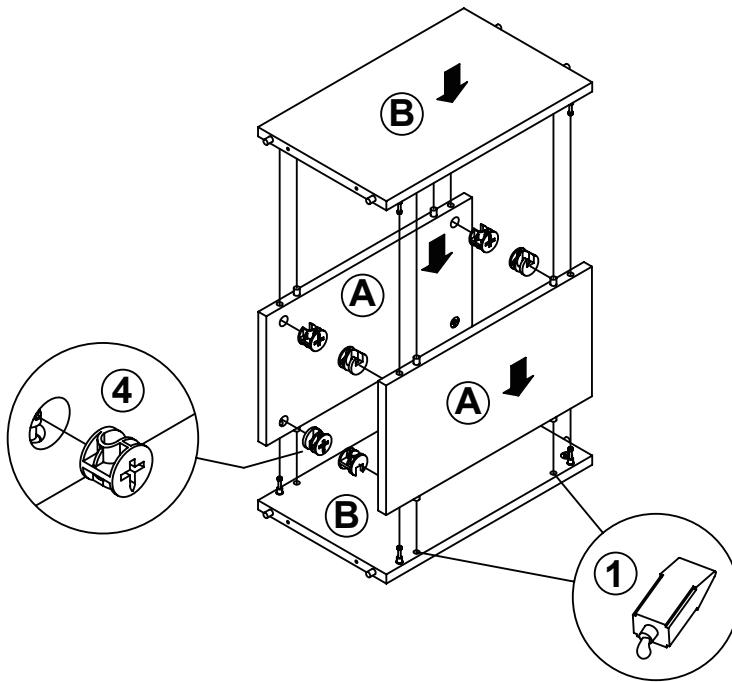
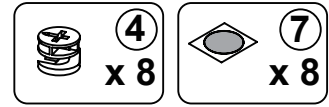
STEP 1



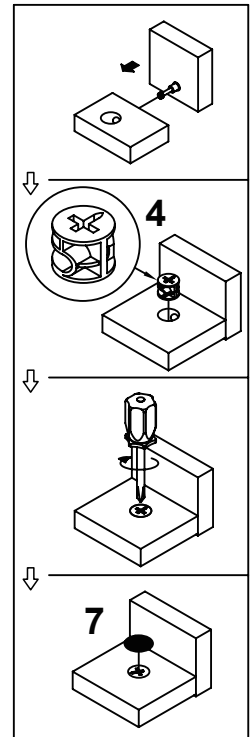
STEP 2



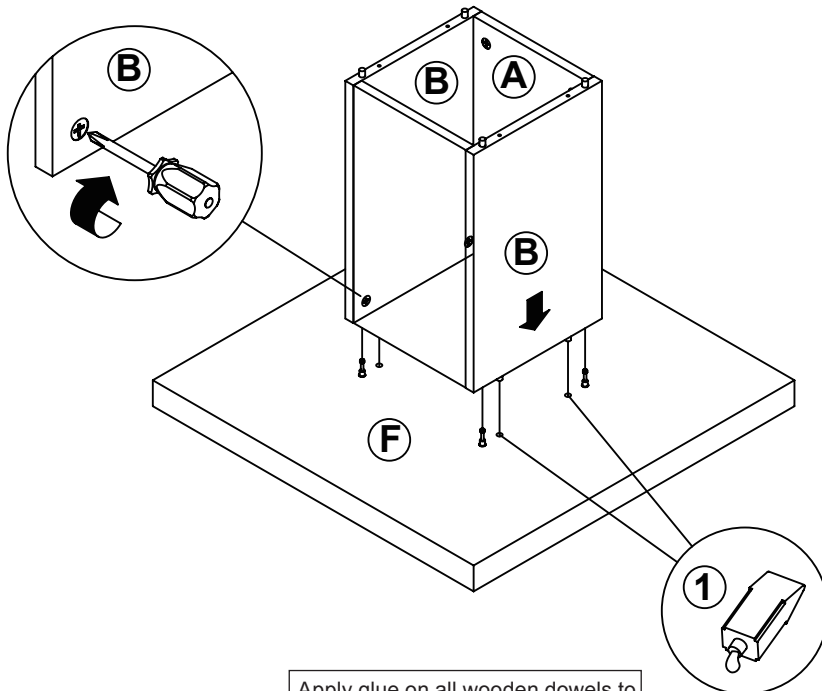
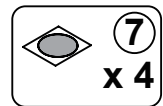
STEP 3



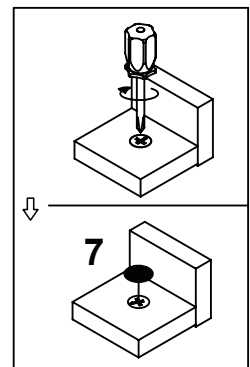
Apply glue on all wooden dowels to ensure integrity of the structure.



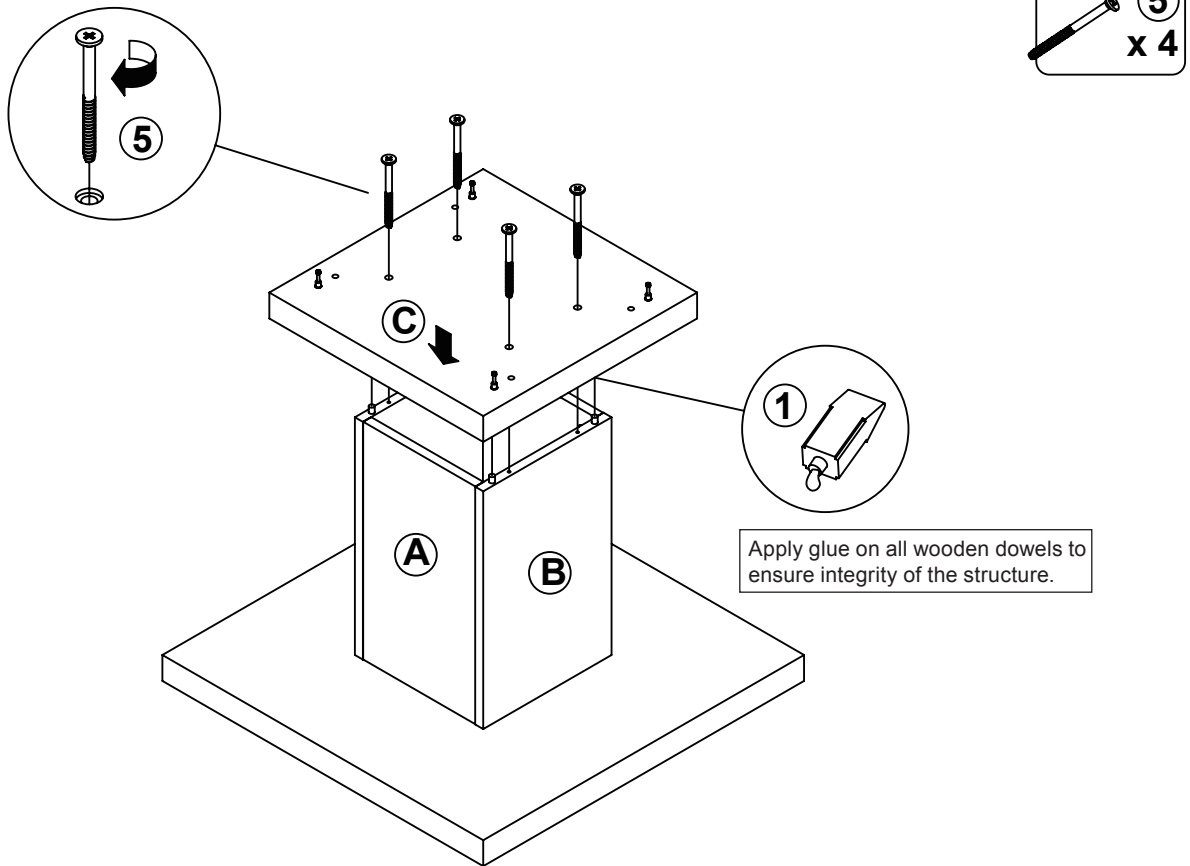
STEP 4



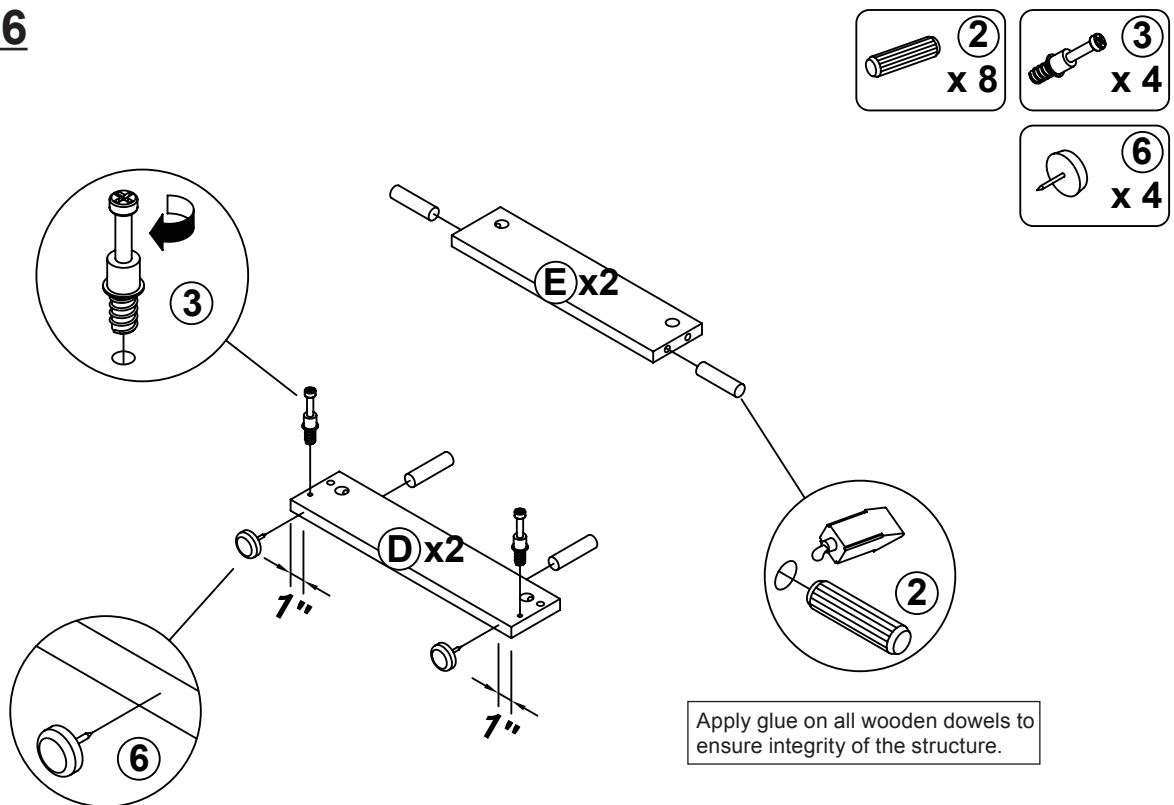
Apply glue on all wooden dowels to ensure integrity of the structure.



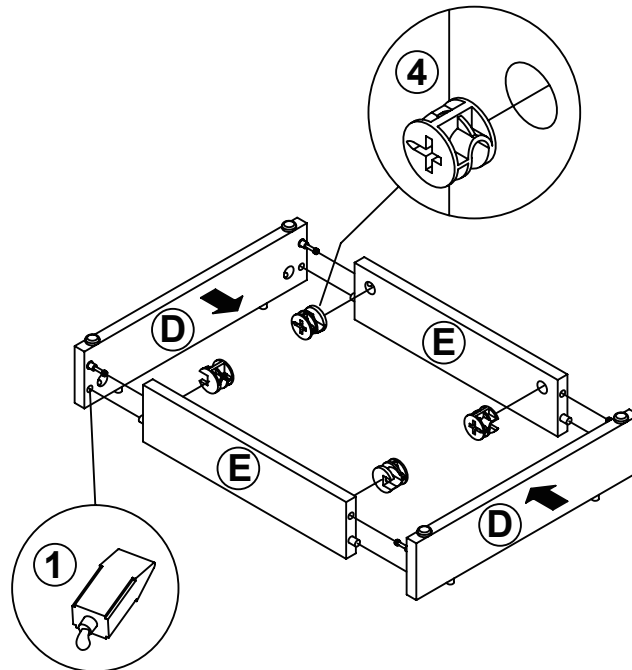
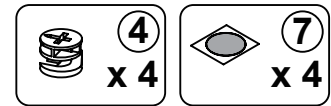
STEP 5



STEP 6

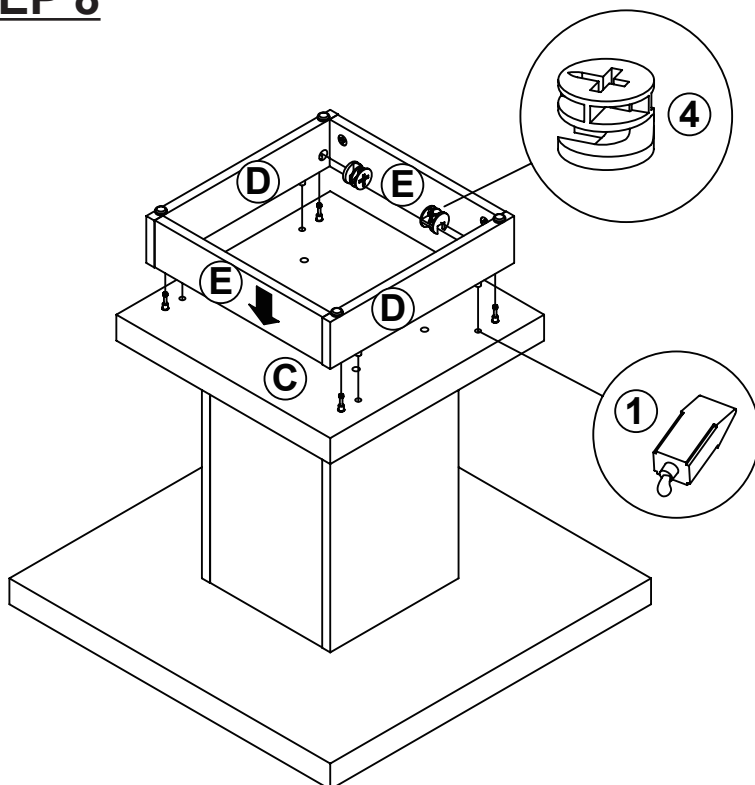


STEP 7



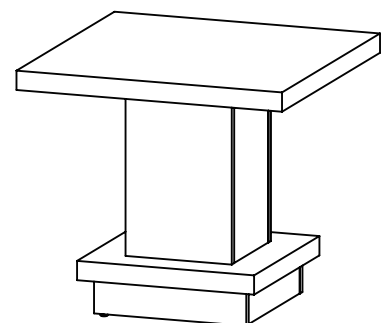
Apply glue on all wooden dowels to ensure integrity of the structure.

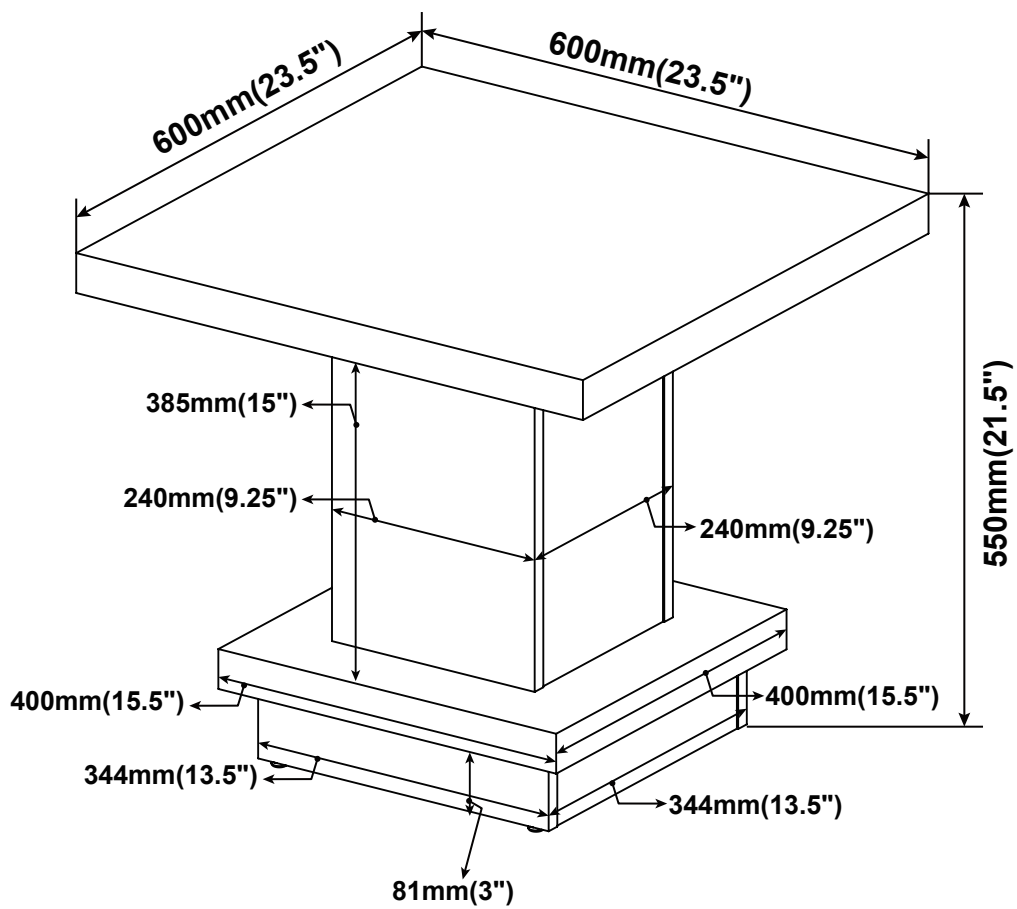
STEP 8



Apply glue on all wooden dowels to ensure integrity of the structure.

COMPLETE





Note : Dimension tolerance $\pm 5\%$