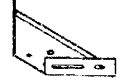










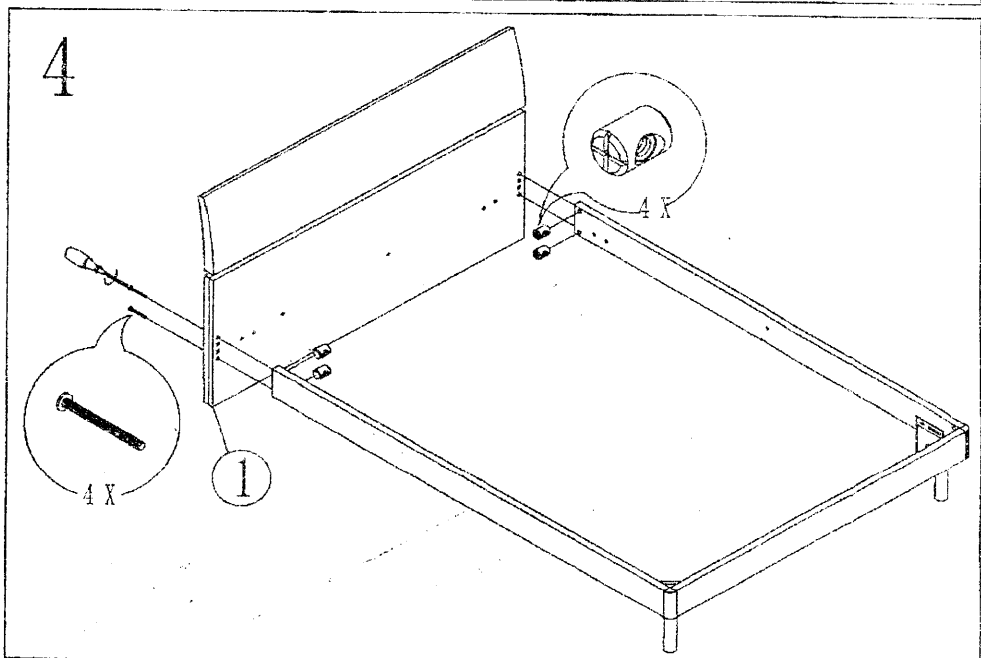
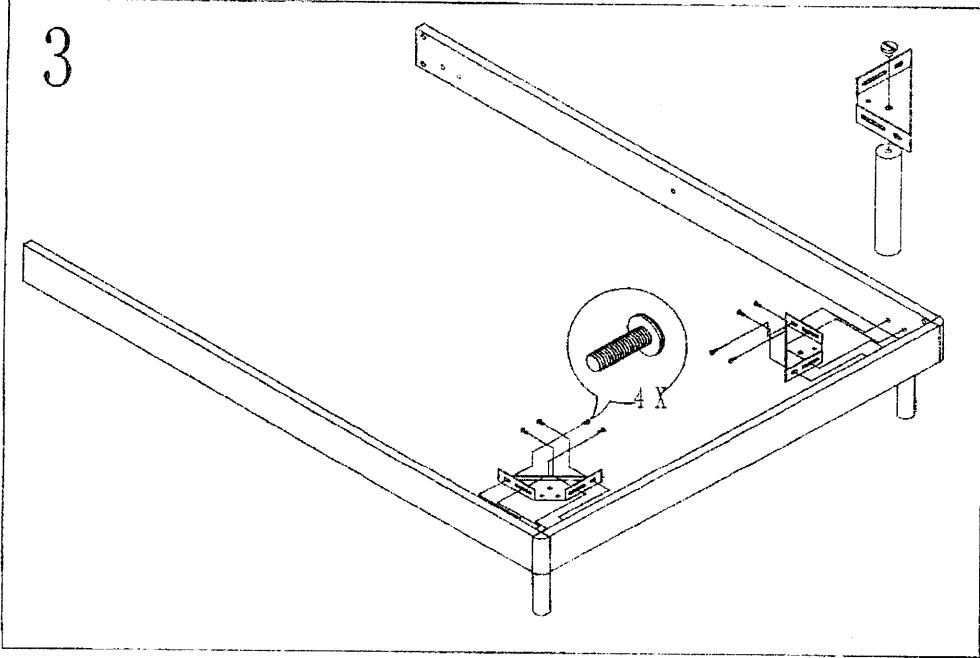
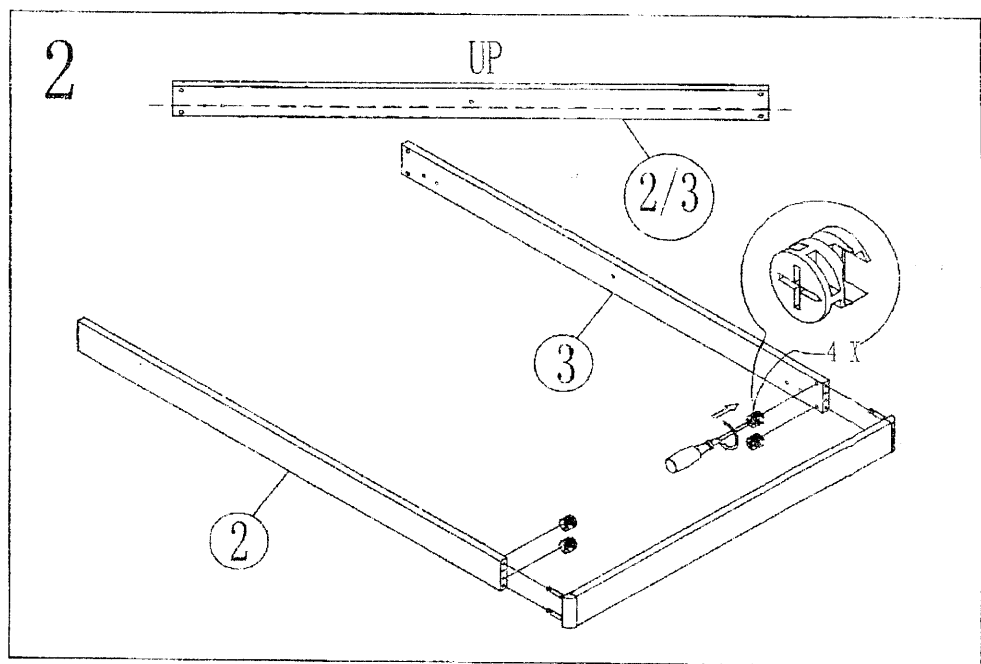
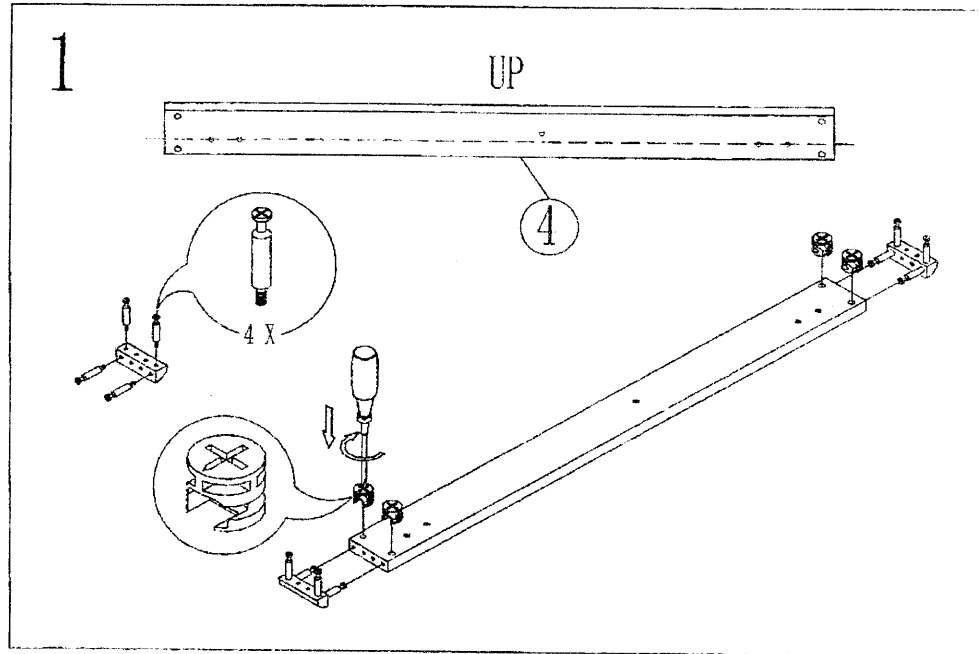
ASSEMBLY INSTRUCTIONS:

1. Letter A.B.C... stands for hardware and fastener
2. This unit requires 2 people to assemble
3. Number 1.2.3... stands for parts
4. Quality warranty is by weight of no more than 200 kgs

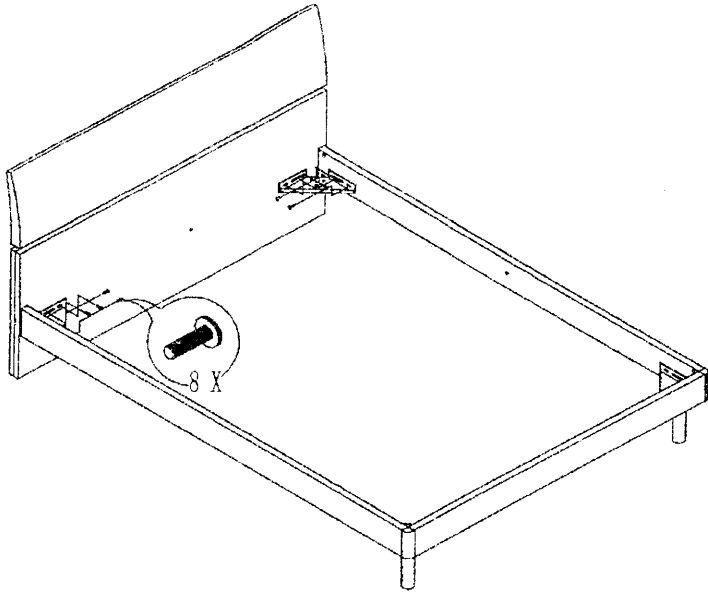
	I-4pcs
	H-1sets
	G-8sets
	F-4sets
	E 2pcs
	D-2pcs
	C-4pcs
	B-20pcs
	A-2pcs
HARDWARE AND FASTENER	

3-C	⑤
3-B	②③④
3-A	①
KNOCK-DOWN	PARTS

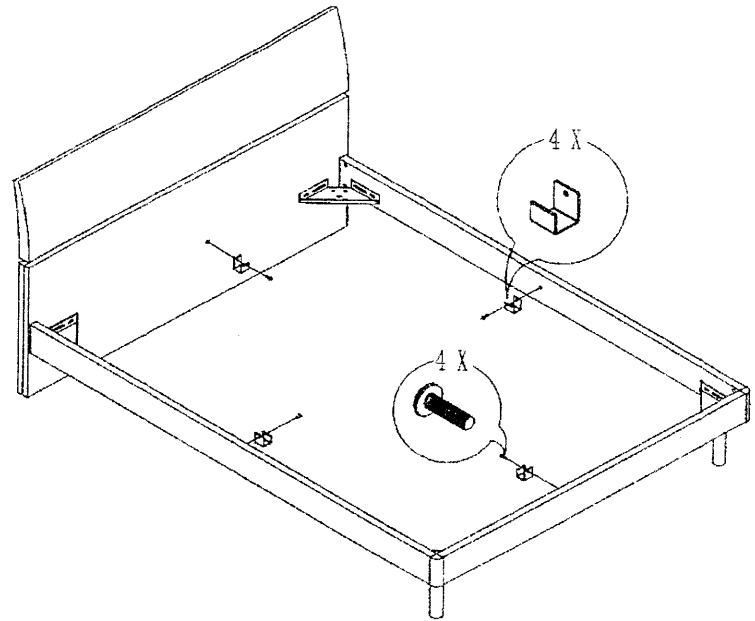
ITEM NO	POB
DESCRIPTION	BED



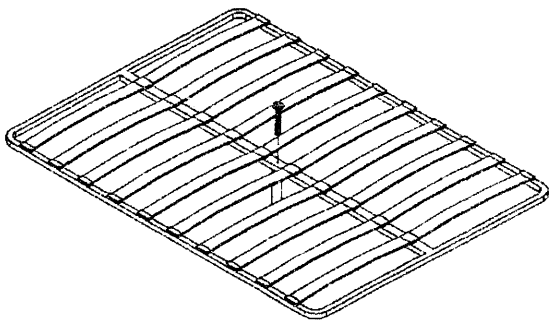
5



6



7



8

