








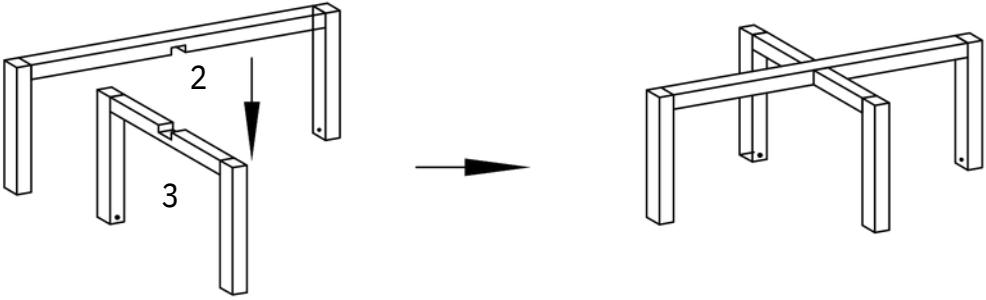
ITEM NO:OC5301WB/BK/CC/BG

# ASSEMBLY INSTRUCTIONS

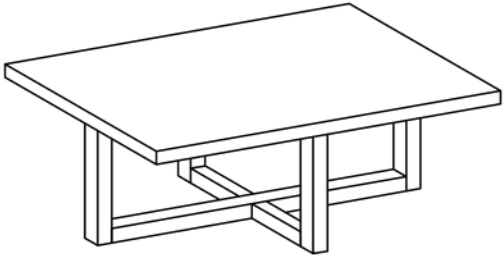
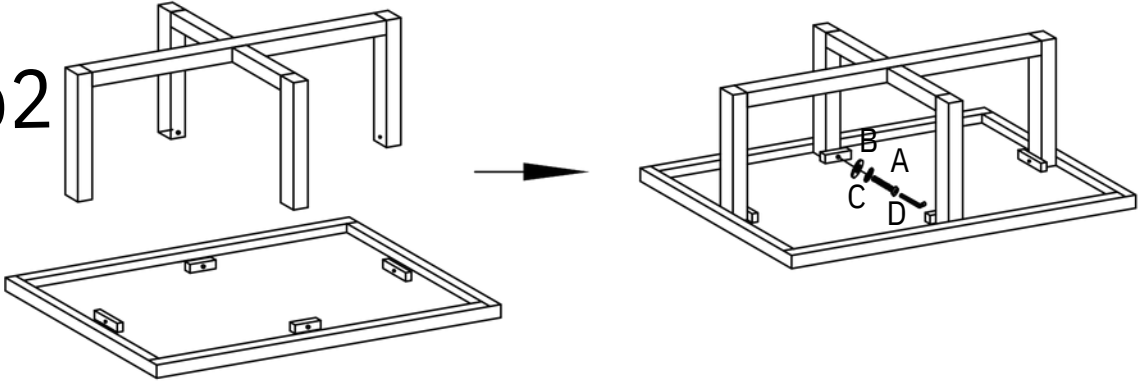
NO	Parts list	QTY
1	table top 	1pcs
2	leg 	1pcs
3	leg 	1pcs

NO	Hardware	QTY
A	 Ø 5/16" * 1-1/2" Bolt	4pcs
B	 Ø 5/16" * 19mm Flat washer	4pcs
C	 Ø 5/16" Spring washer	4pcs
D	 Ø 5/16" All-Wrench	1pcs

step1



step2



Do not tighten screws until completely assembled