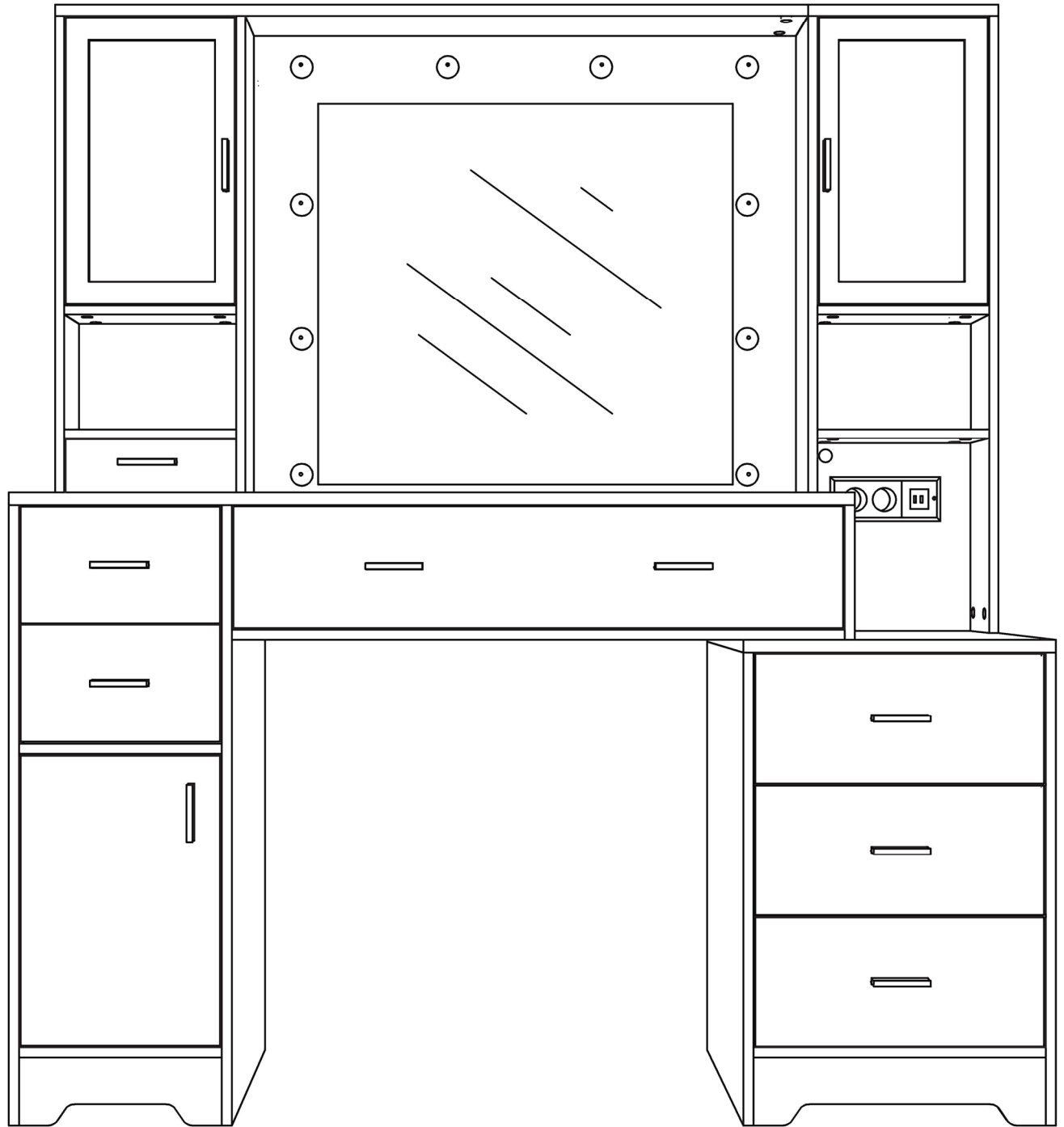
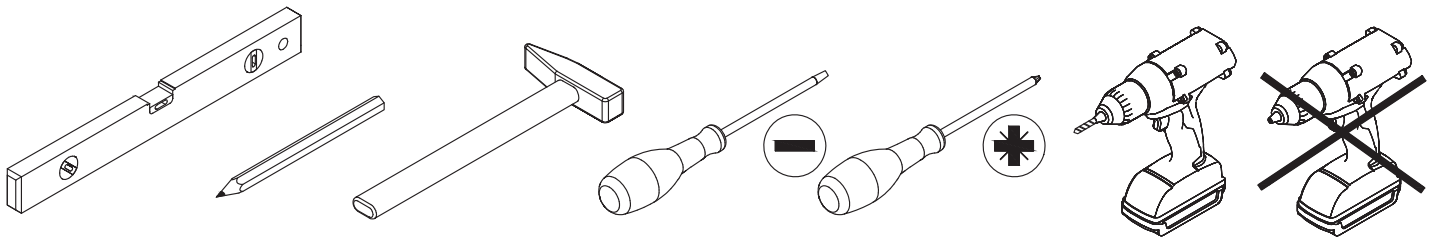
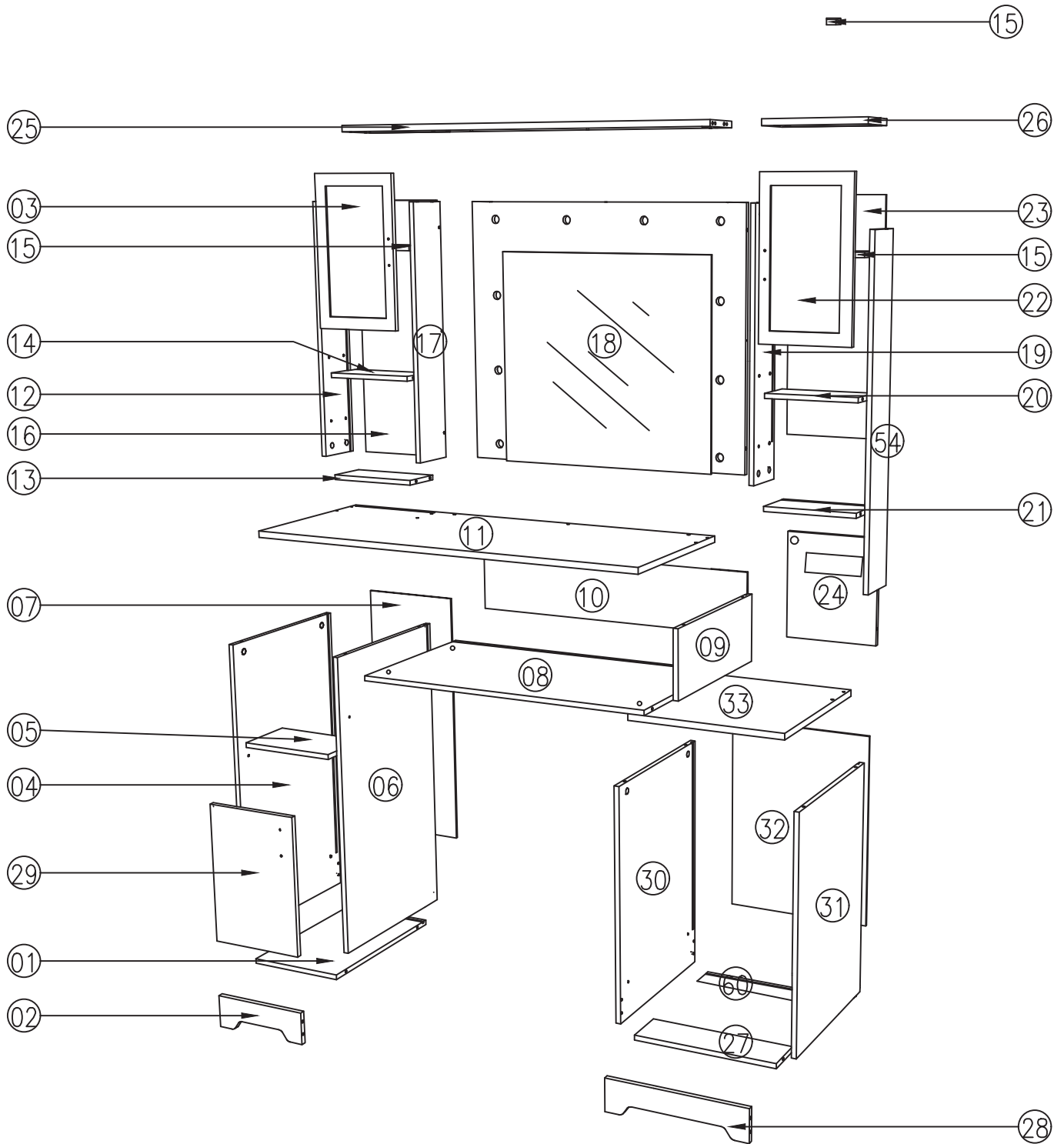
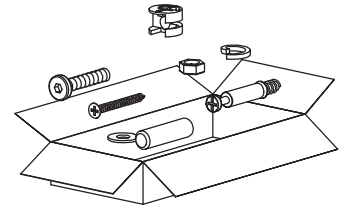


Installation & Assembly

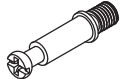
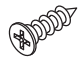
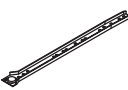
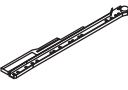

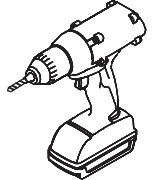


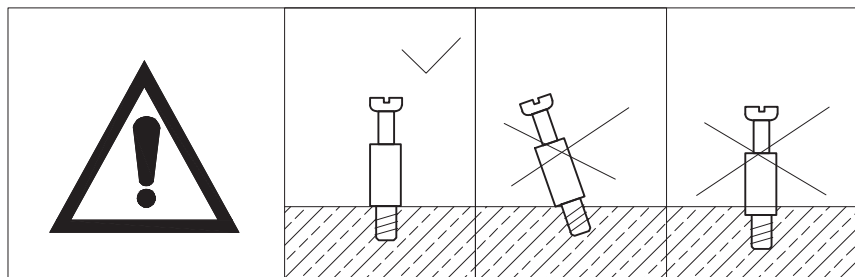
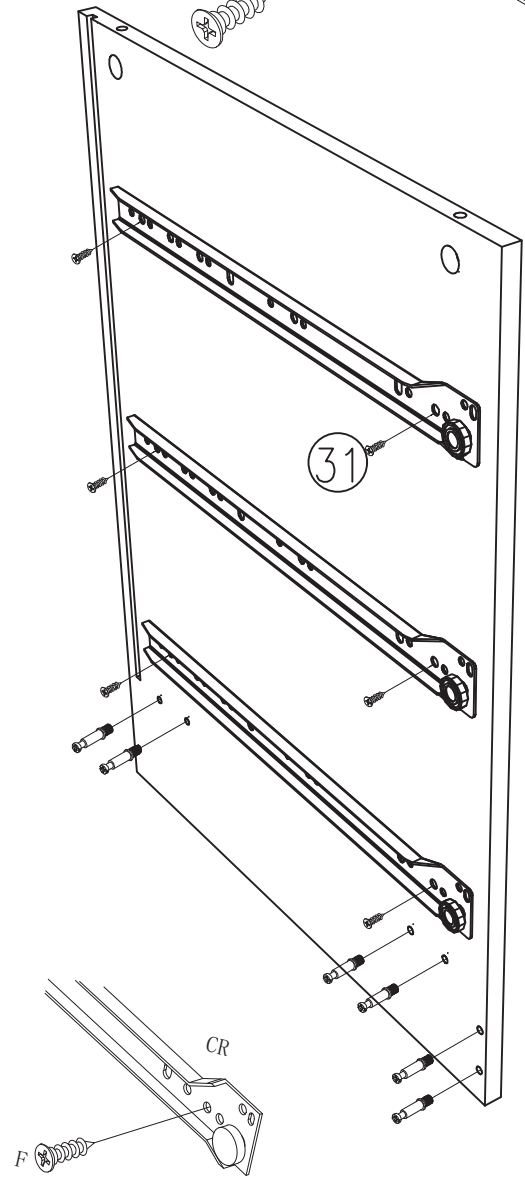
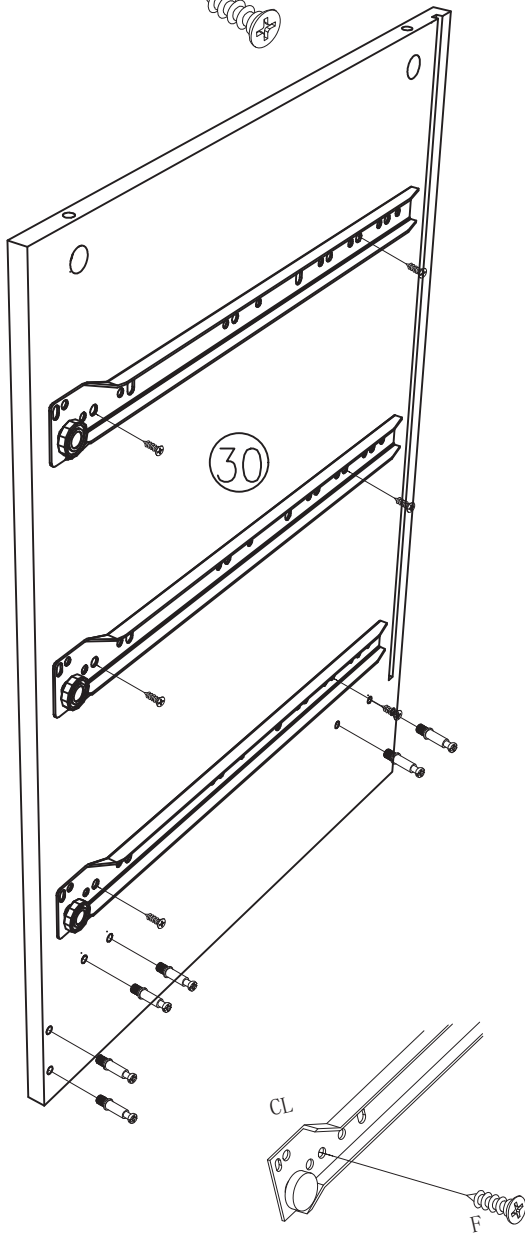
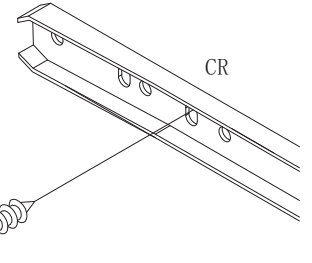
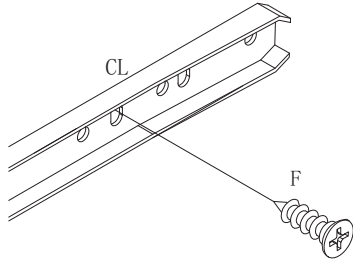
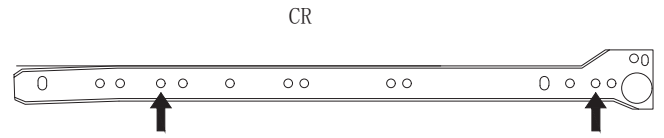
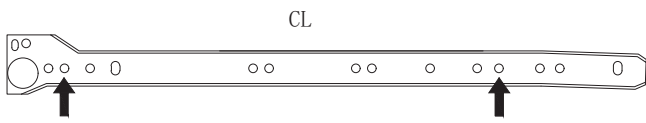


<p>A x121</p>  <p>M6x25mm</p>	<p>B x 125</p>  <p>Ø12x10mm</p>	<p>CL x 6</p>  <p>350mm</p>	<p>CR x6</p>  <p>350mm</p>
<p>DL x6</p>  <p>350mm</p>	<p>DR x6</p>  <p>350mm</p>	<p>E x 20</p>  <p>15x15x9mm</p>	<p>F x 88</p>  <p>Ø3.5x12mm</p>
<p>G x 30</p>  <p>Ø3.5x25mm</p>	<p>H x 1</p>  <p>120x15mm</p>	<p>I x 22</p>  <p>Ø3x18mm</p>	<p>J x 1</p>  <p>190x60mm</p>
<p>K x 10</p>  <p>30x15mm</p>	<p>L x 3</p>  <p>30x12mm</p>	<p>M x 8</p>  <p>10x12mm</p>	<p>N x 2</p>  <p>M6X48mm</p>
<p>D x 11</p>  <p>64x10mm</p>	<p>C x 6</p>  <p>M6X18mm</p>		

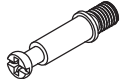
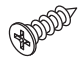
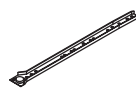
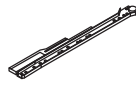

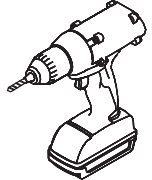


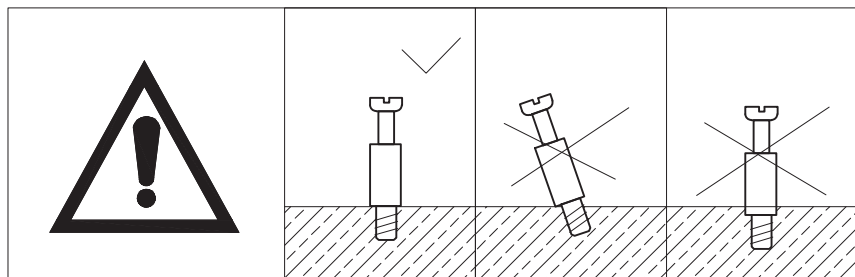
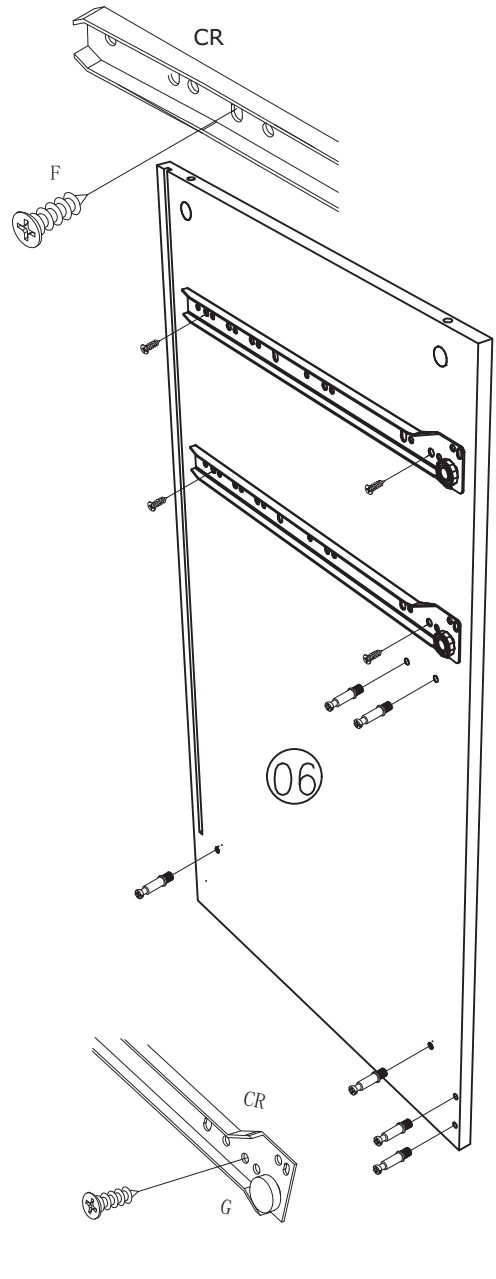
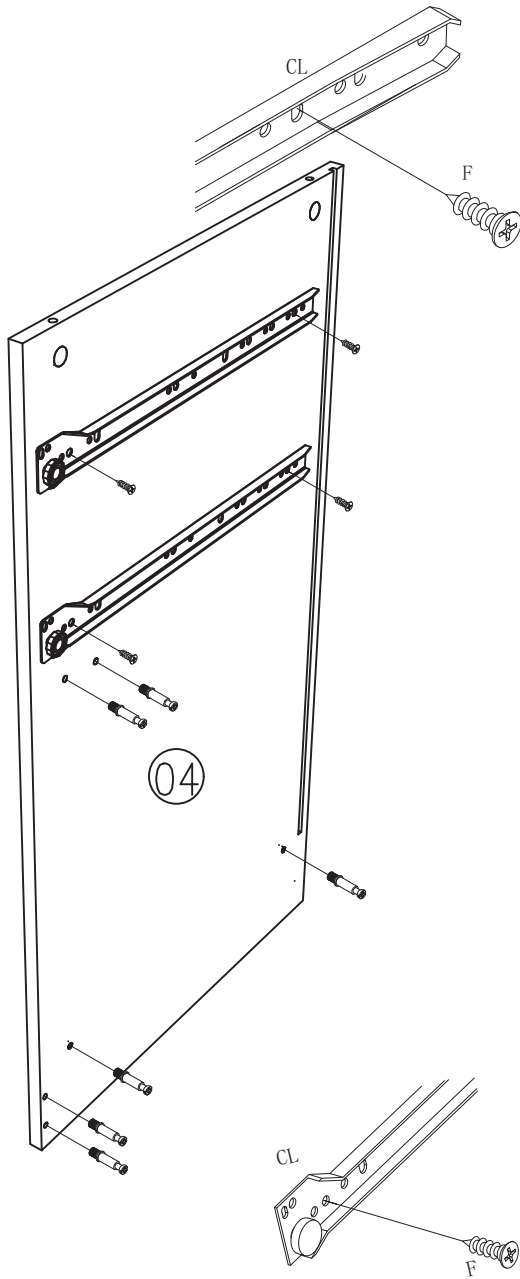
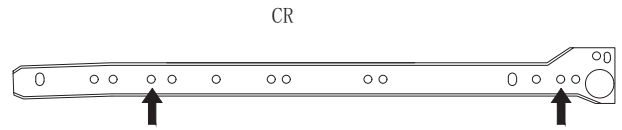
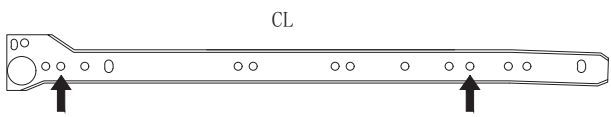
1

A x12  M6x25	F x12  Ø3.5x12 mm	CL x3  350mm	CR x3  350mm	 
---	--	---	---	---

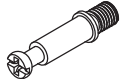
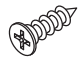
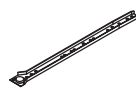
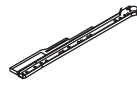

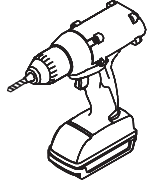


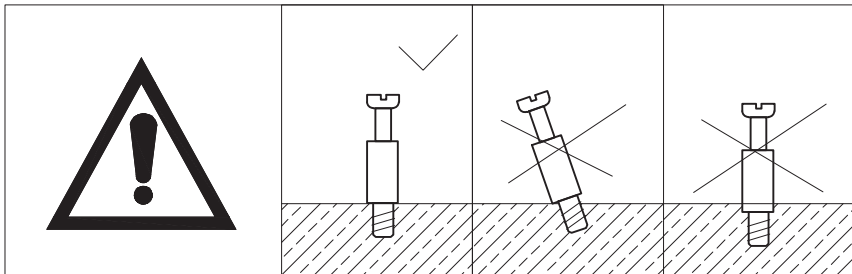
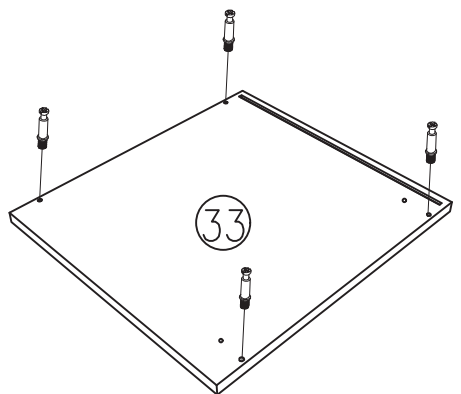
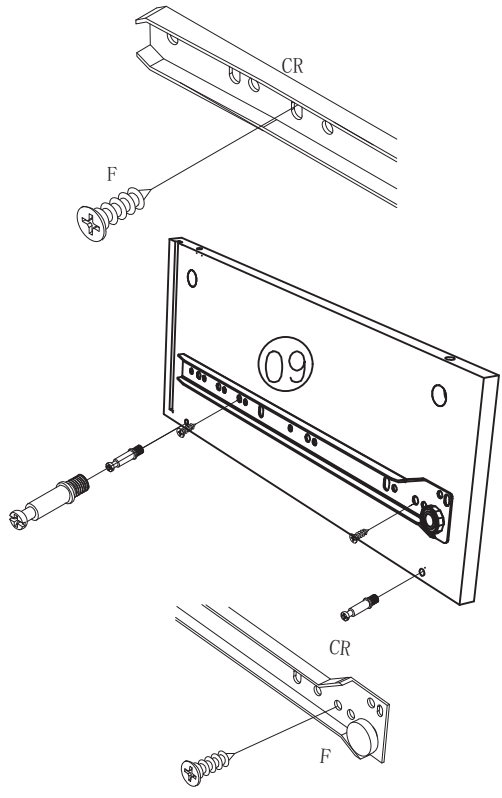
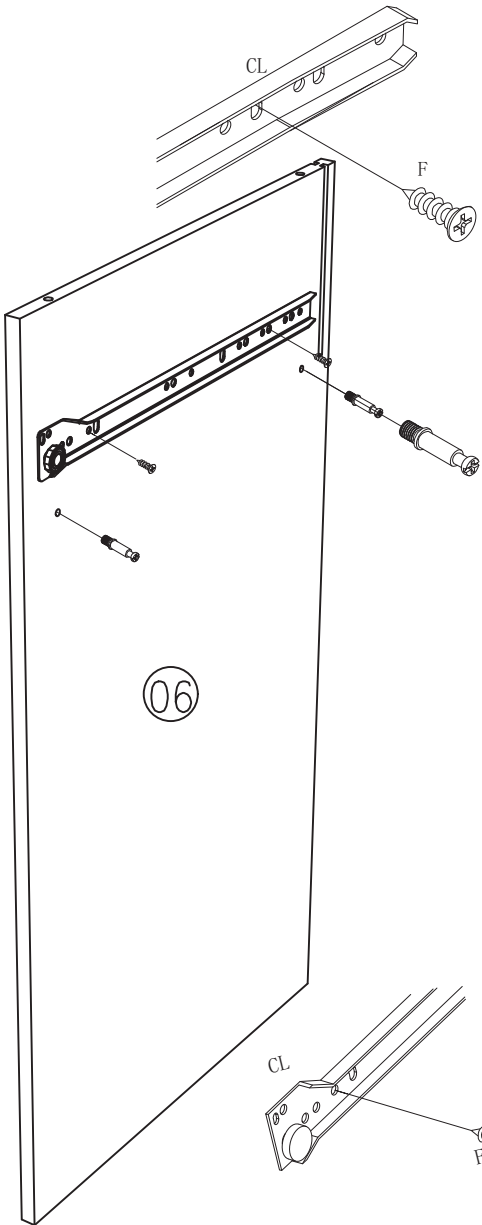
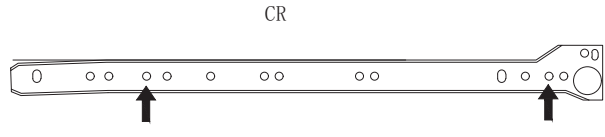
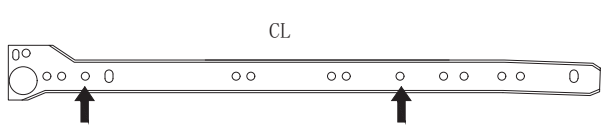
2

A x12  M6x25	F x8  Ø3.5x12 mm	CL x2  350mm	CR x2  350mm	 
---	---	---	---	--



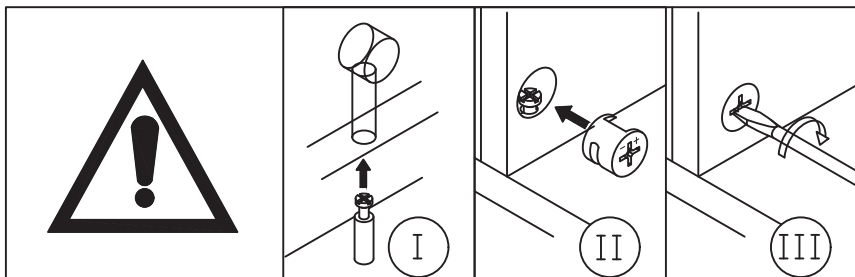
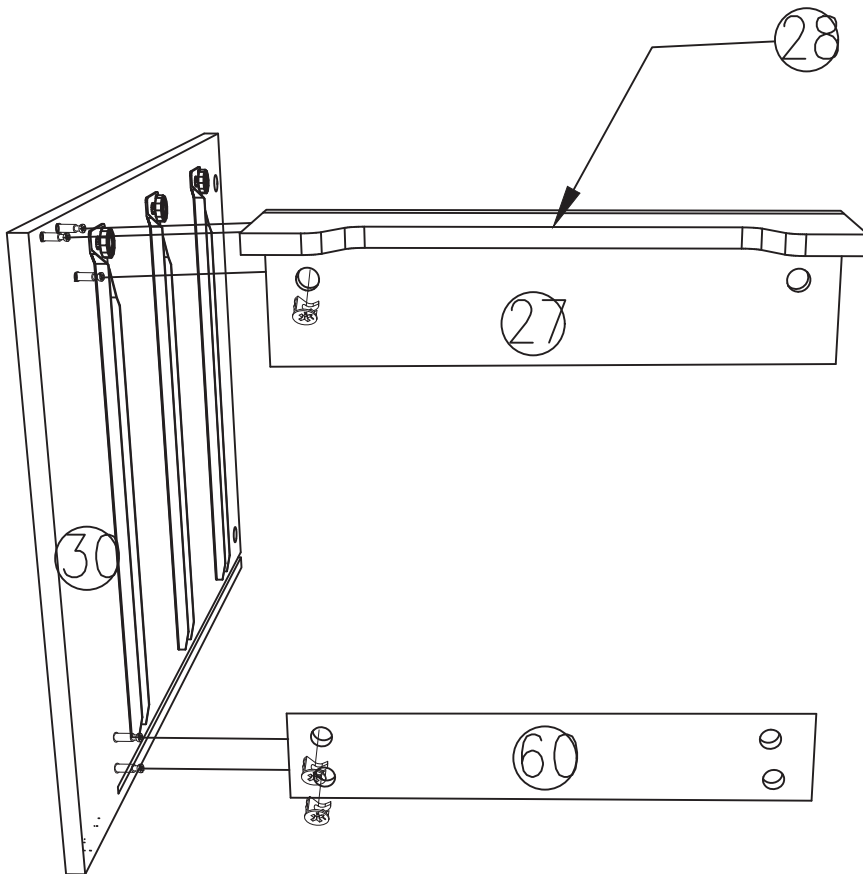
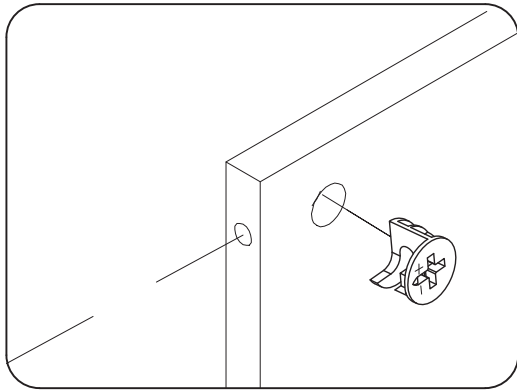
3

A x10  M6x25	F x4  Ø3.5x12 mm	CL x1  350mm	CR x1  350mm	 
---	---	---	---	--



4

<p>B x 6</p>  <p>Ø12x10</p>		
--	--	--

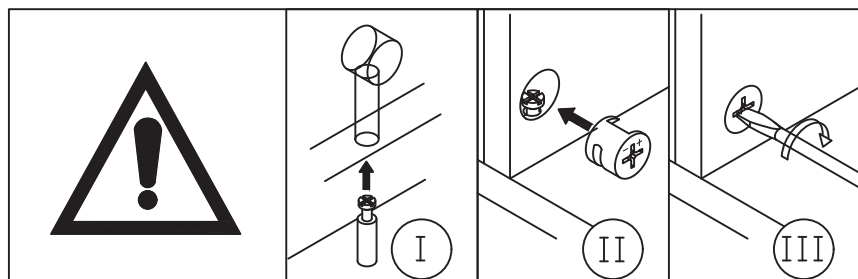
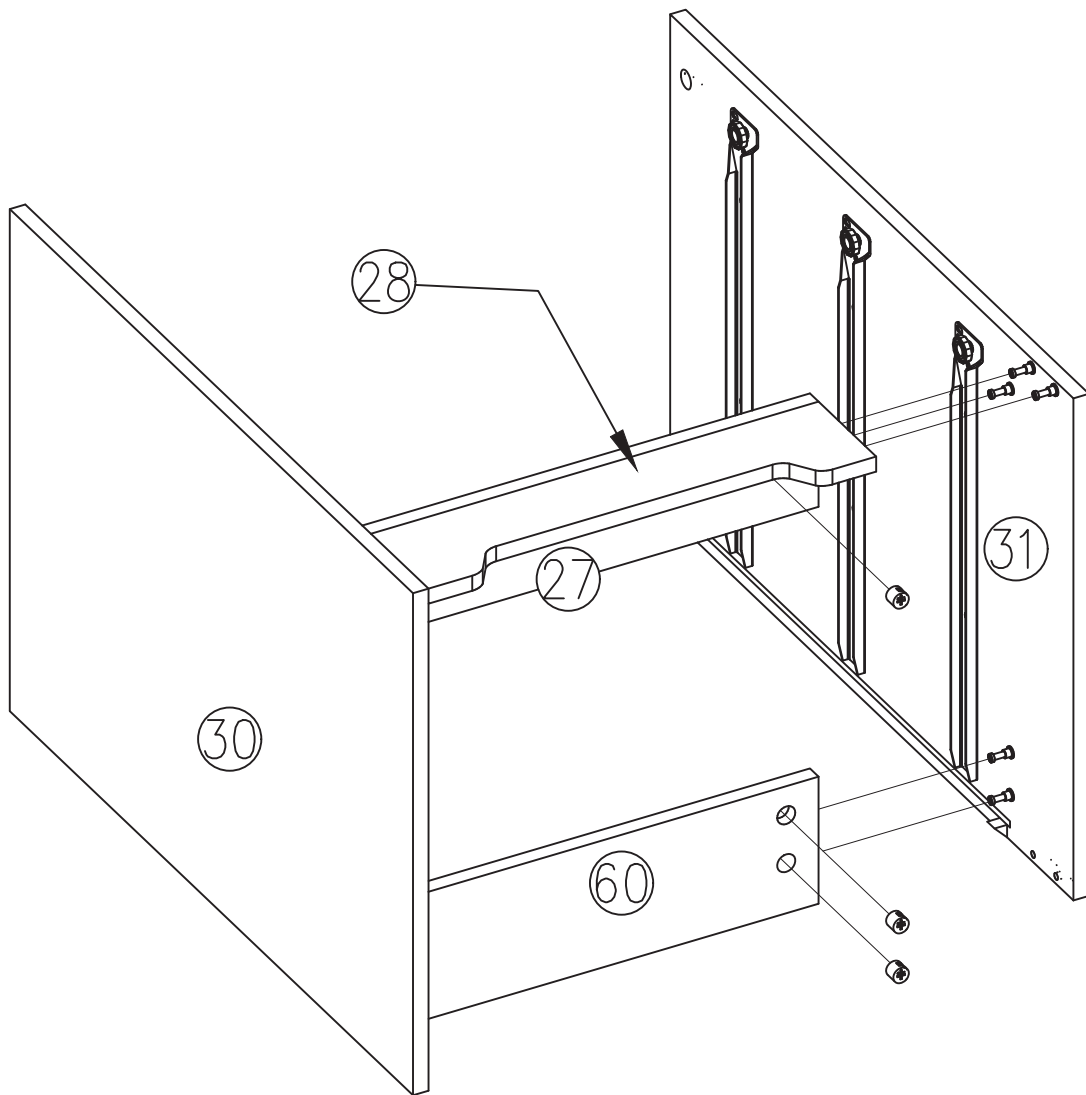
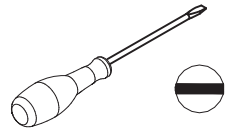


5

B x 6

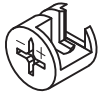


Ø12x10

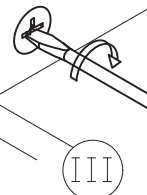
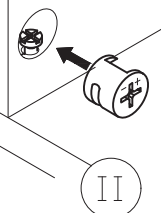
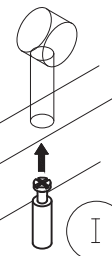
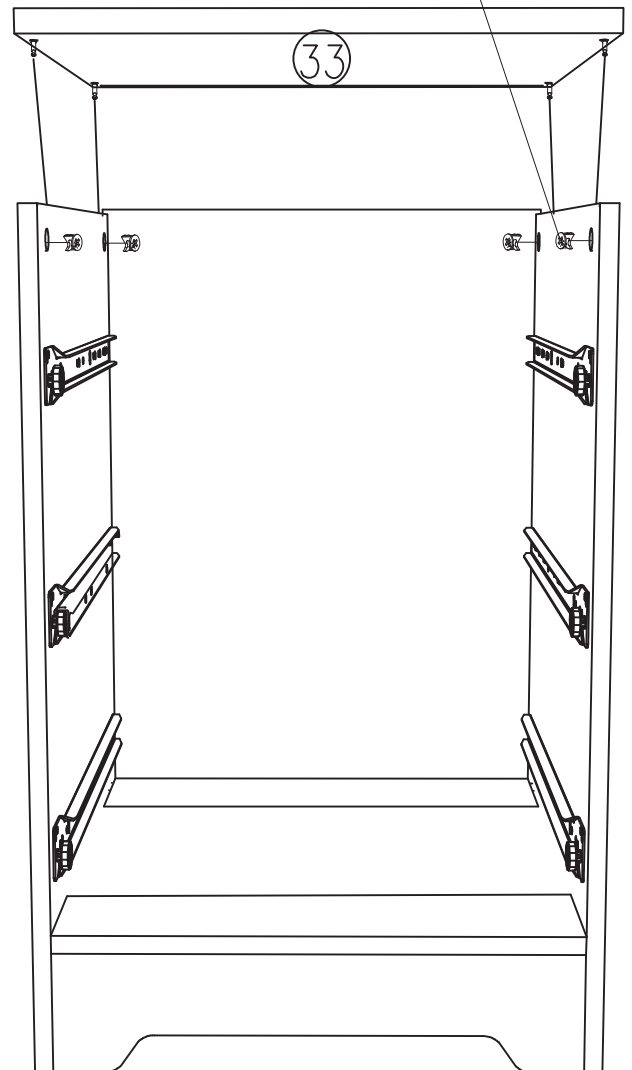
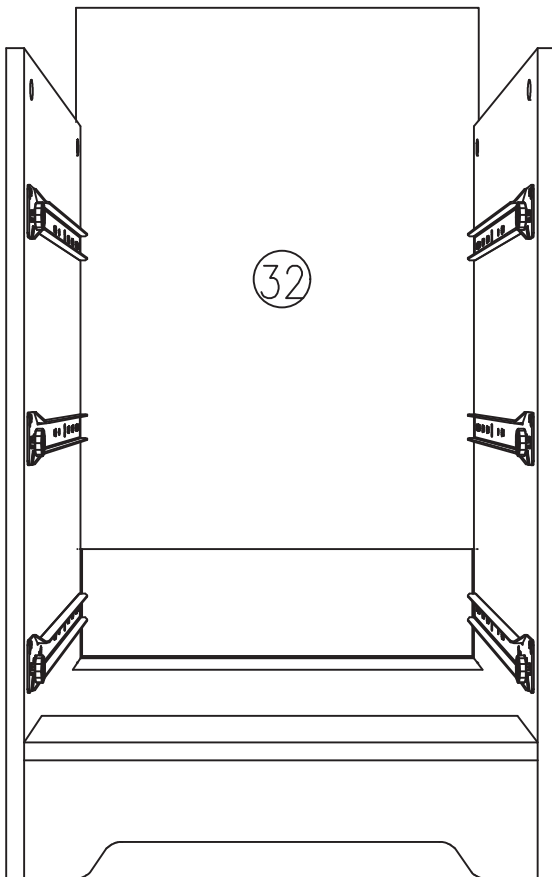
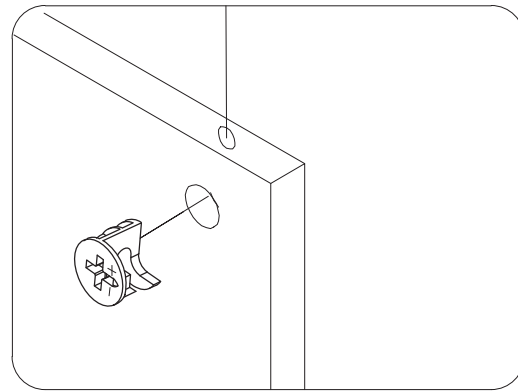
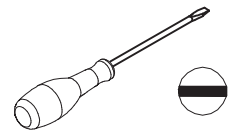


6

B x 4

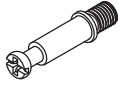


Ø12x10

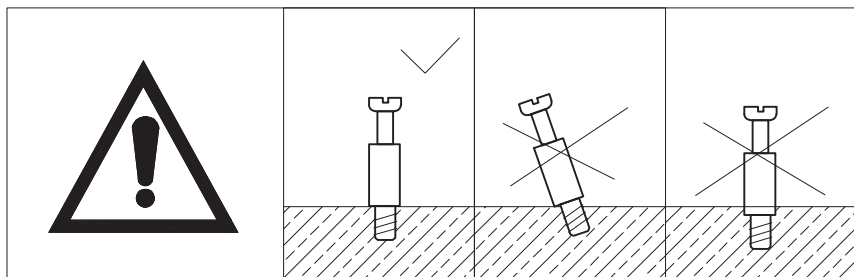
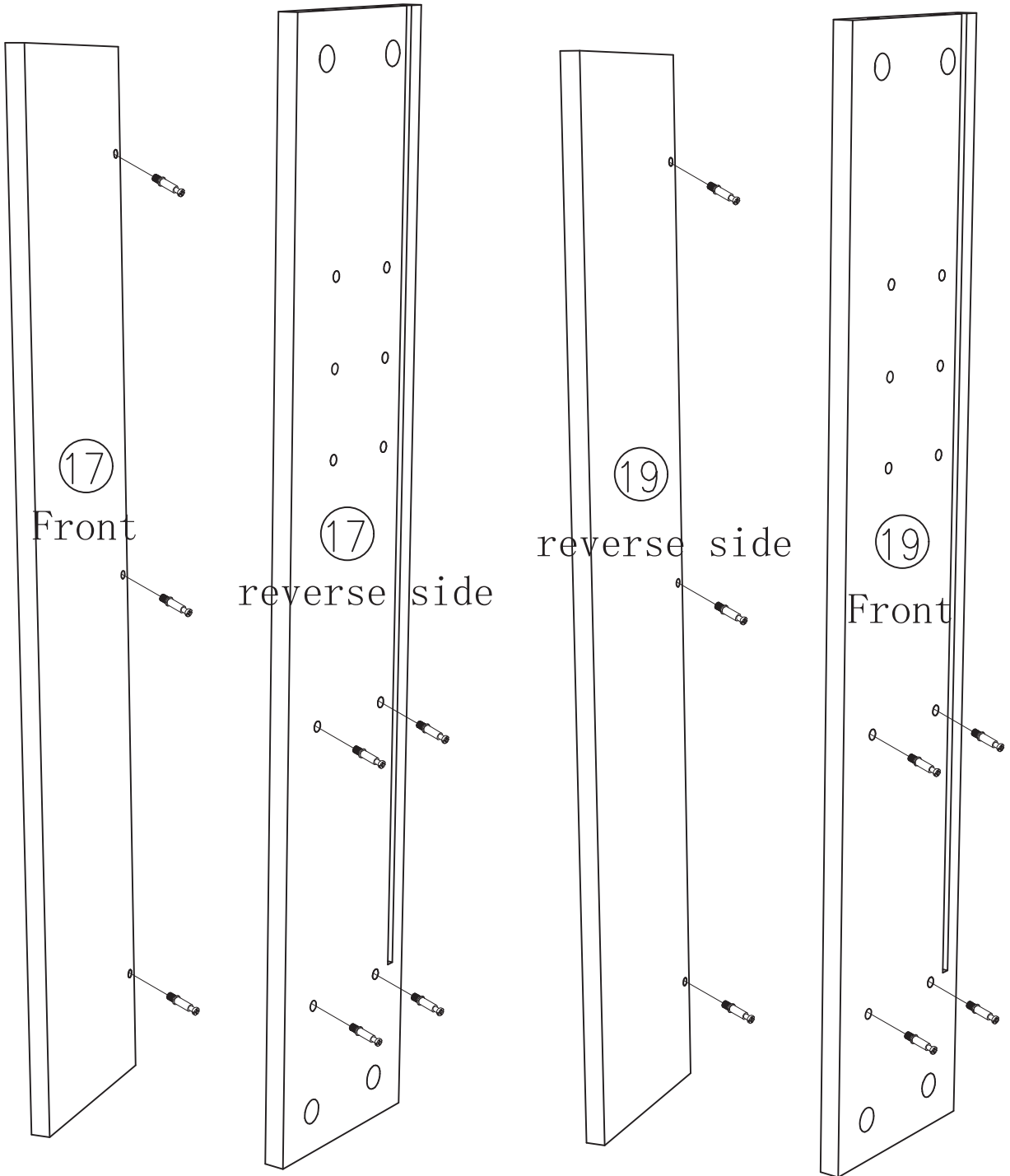
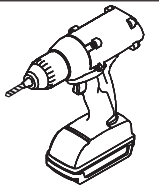


6-1

A x14

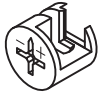


M6x25

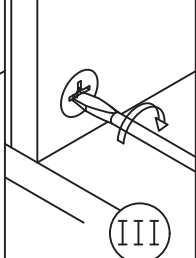
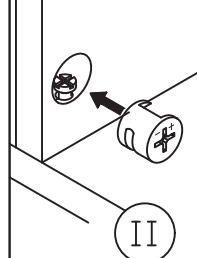
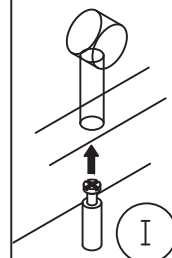
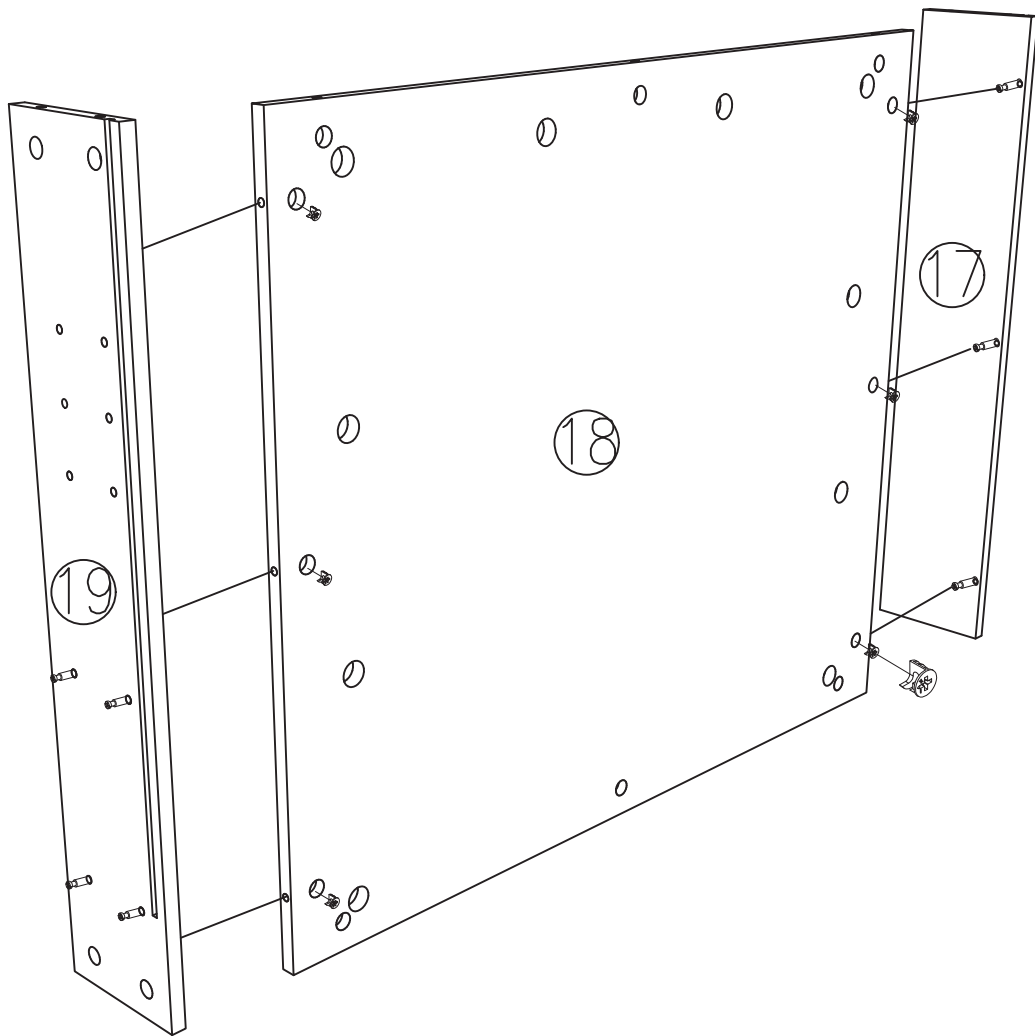
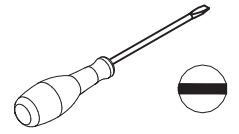


7

B x 18



Ø12x10

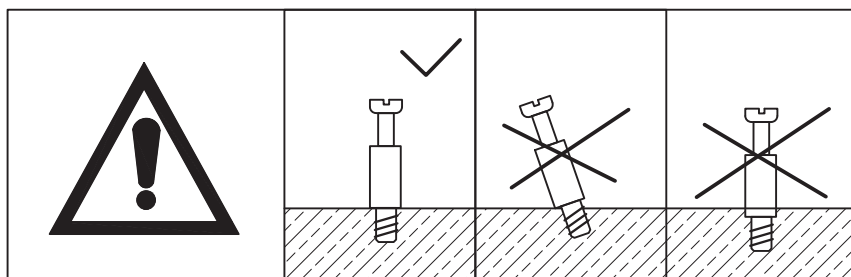
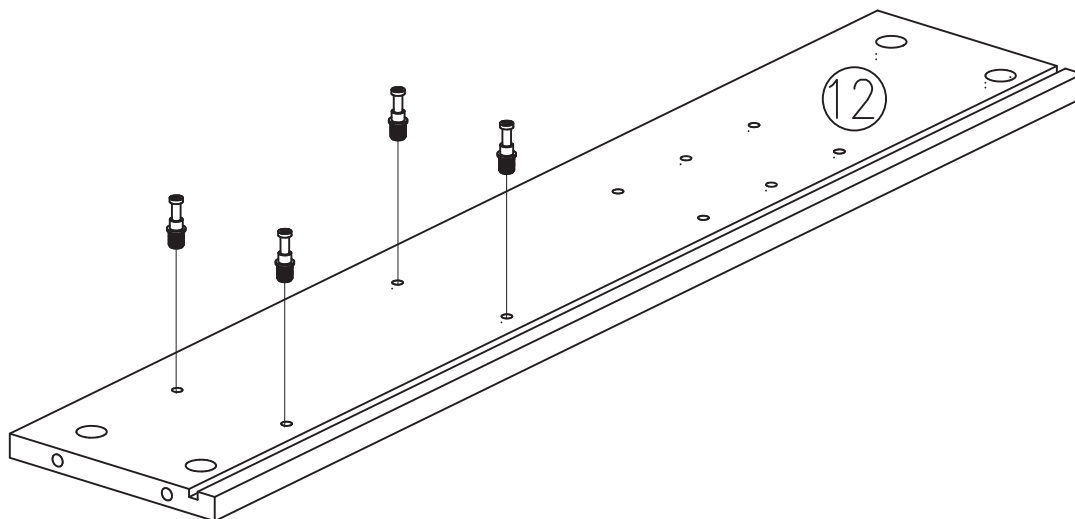
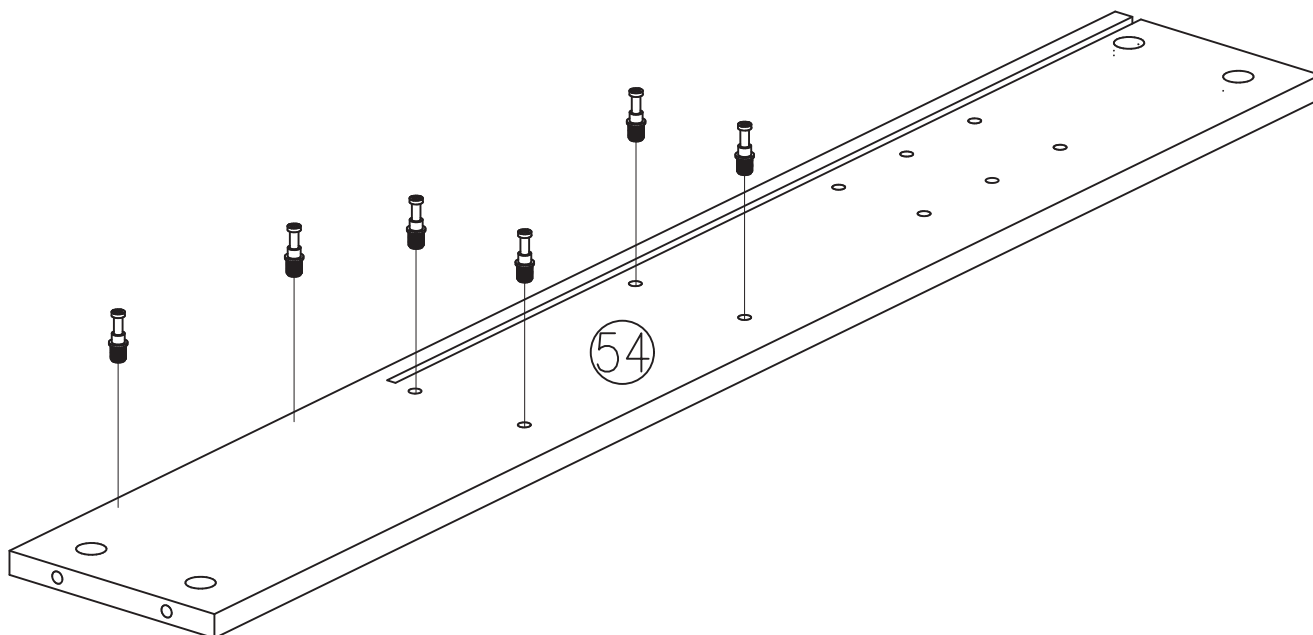


8

A x10



M6x25

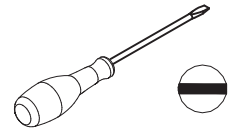


9

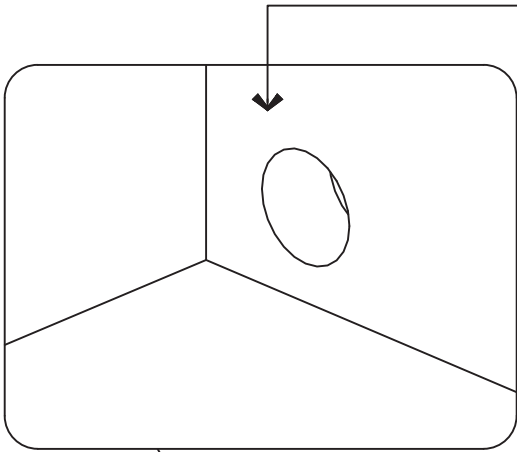
B x 6



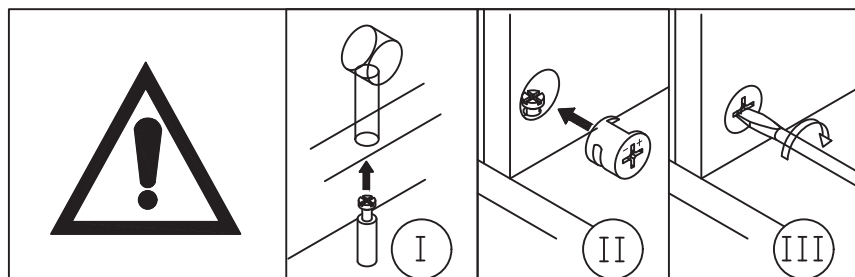
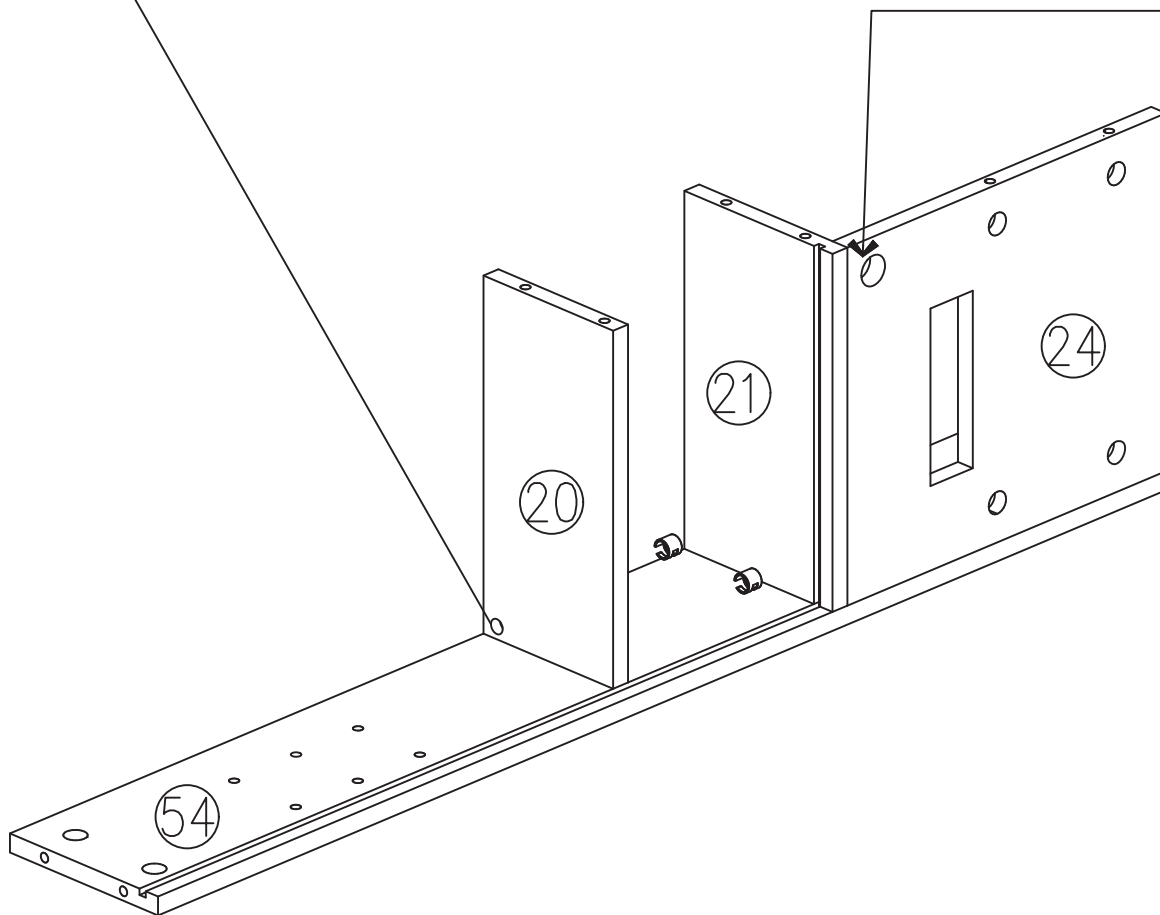
Ø12x10



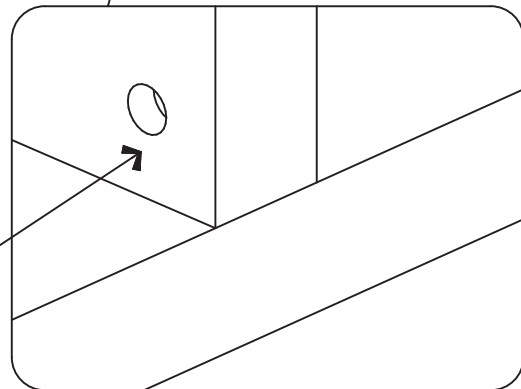
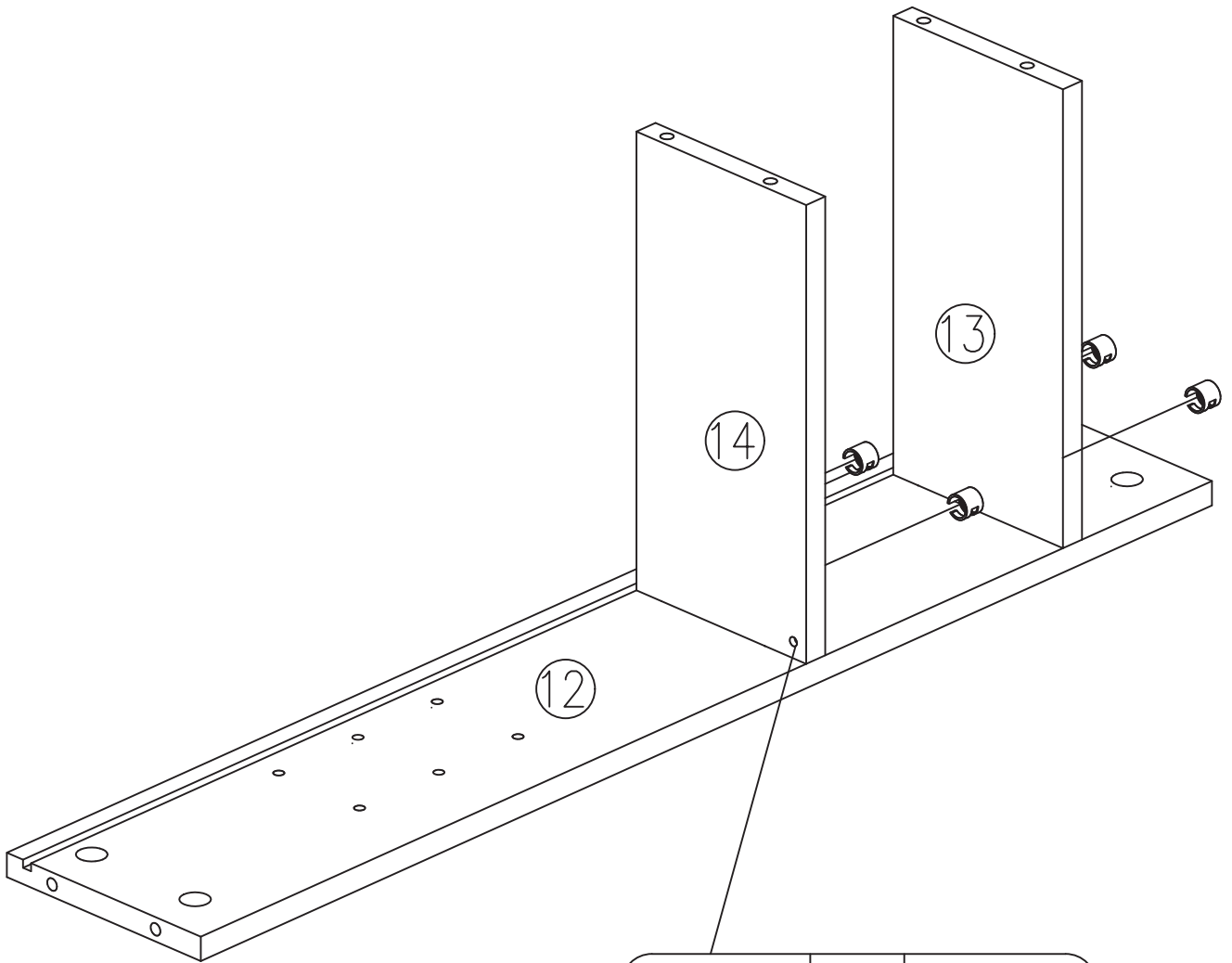
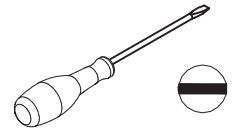
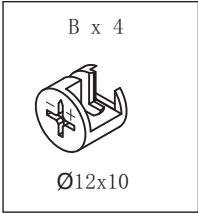
Note: Hole Location.



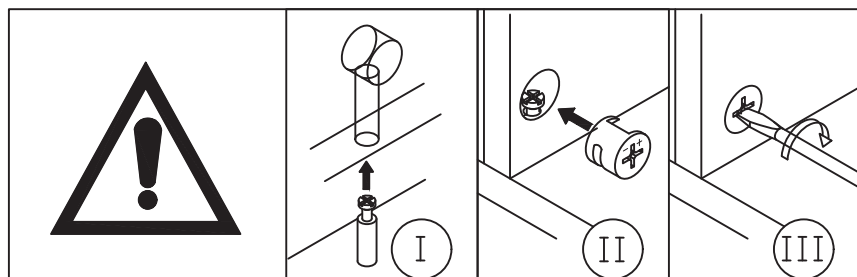
Note: Hole Location.



10



Note: Hole Location.

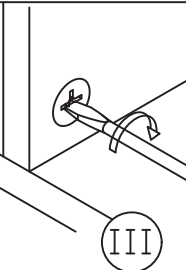
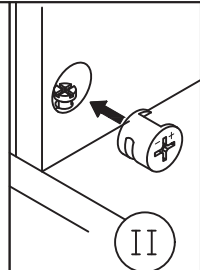
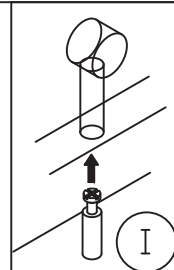
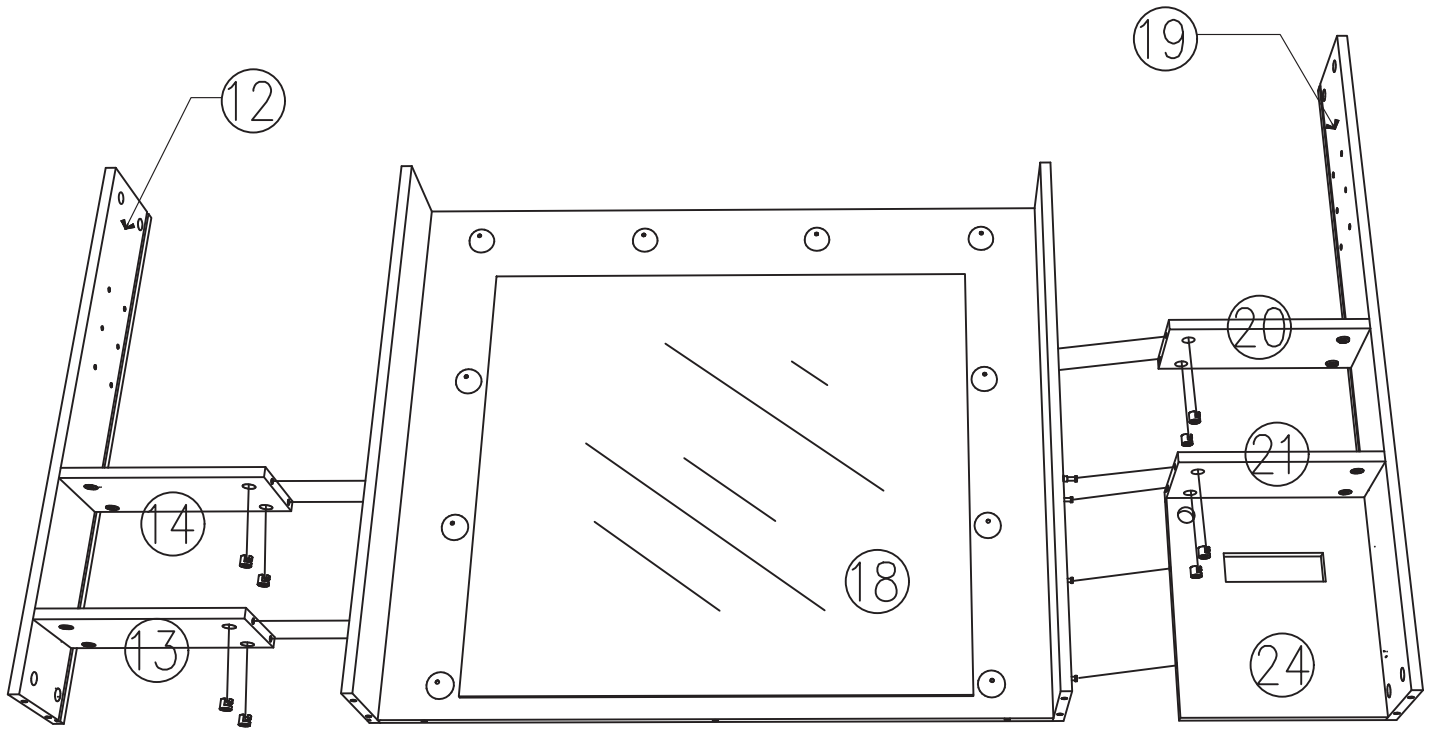
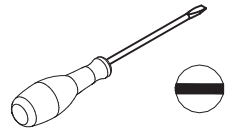


11

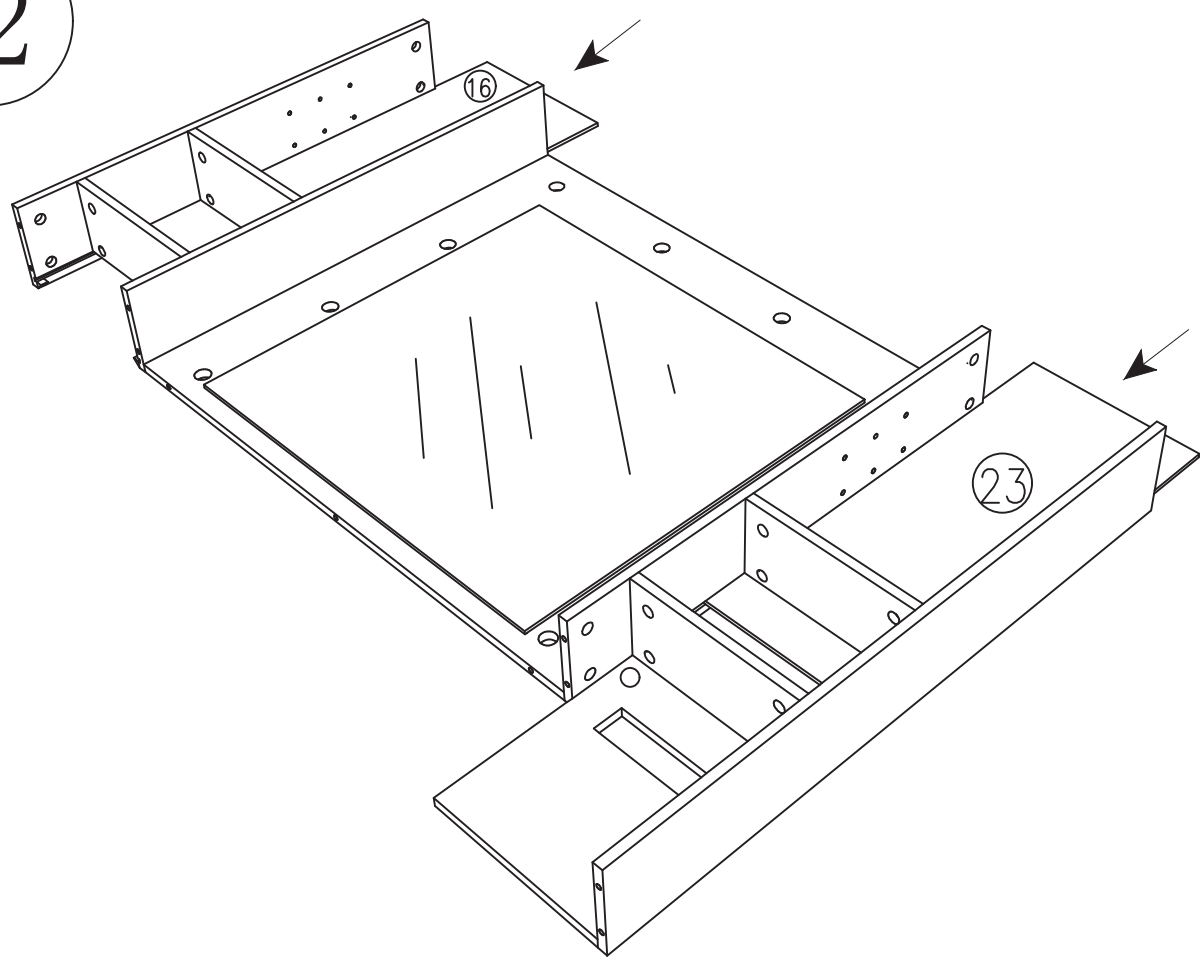
B x 10



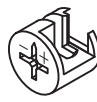
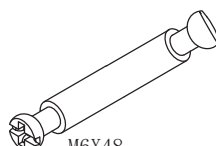
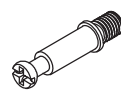
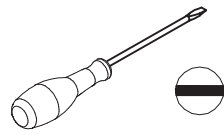
Ø12x10

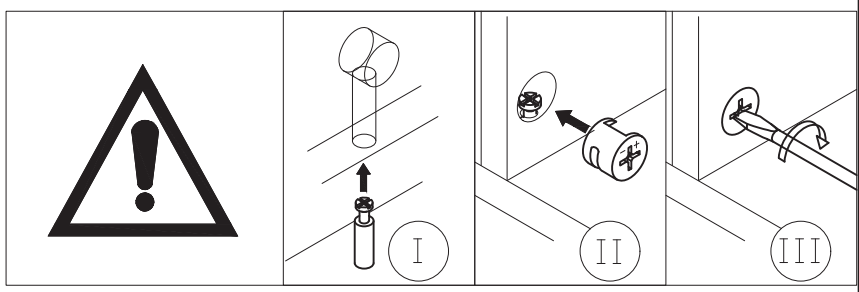
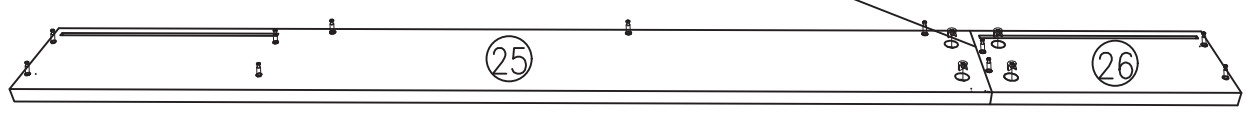
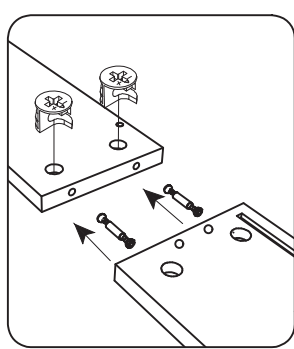


12



9

<p>B x 4</p>  <p>Ø12x10</p>	<p>N x 2</p>  <p>M6x48</p>	<p>A x 11</p>  <p>M6x25</p>	
--	---	--	---

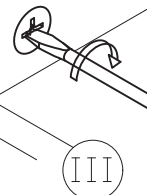
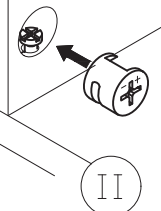
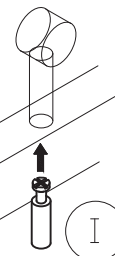
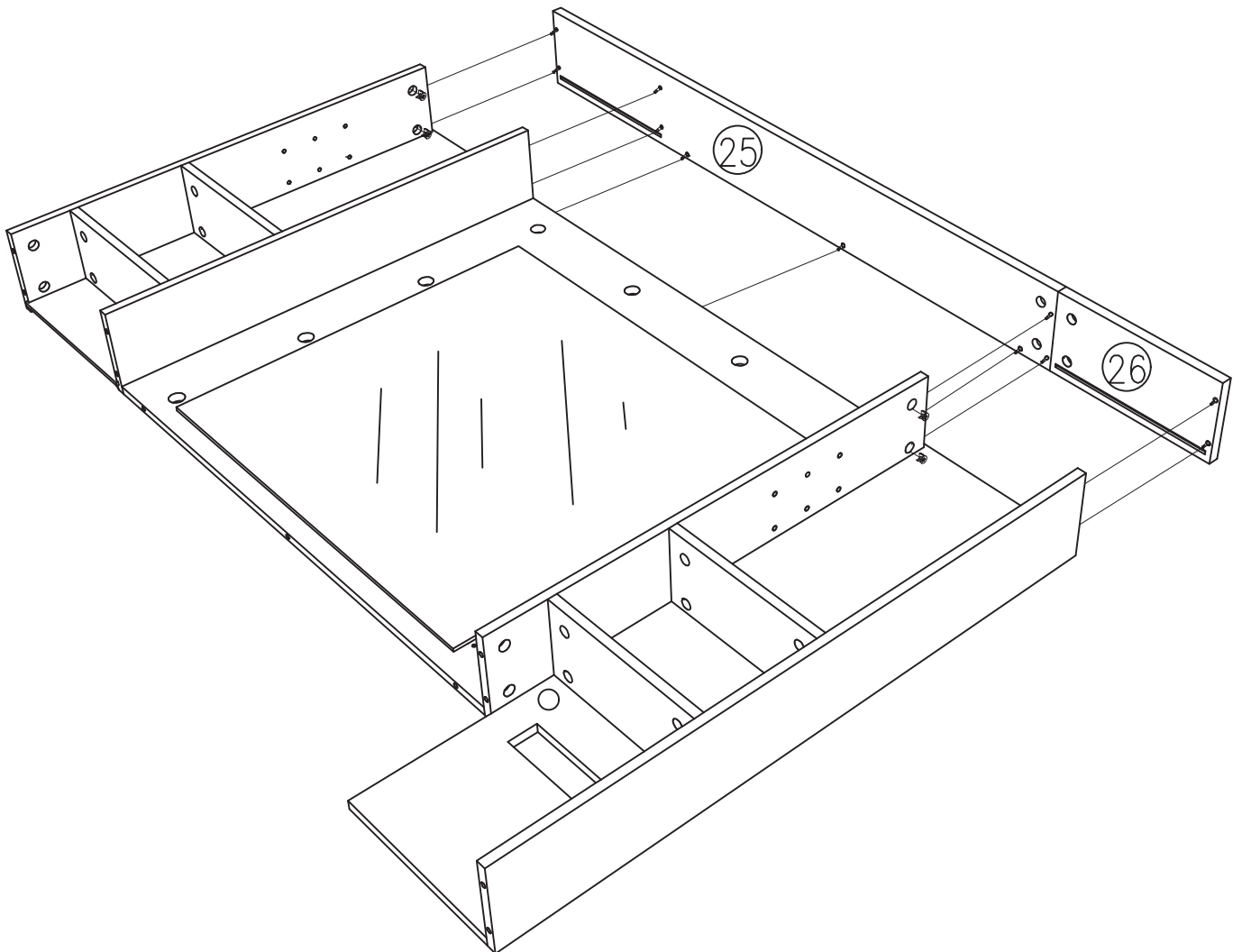
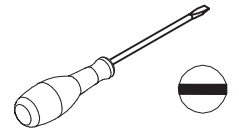


13

B x 12



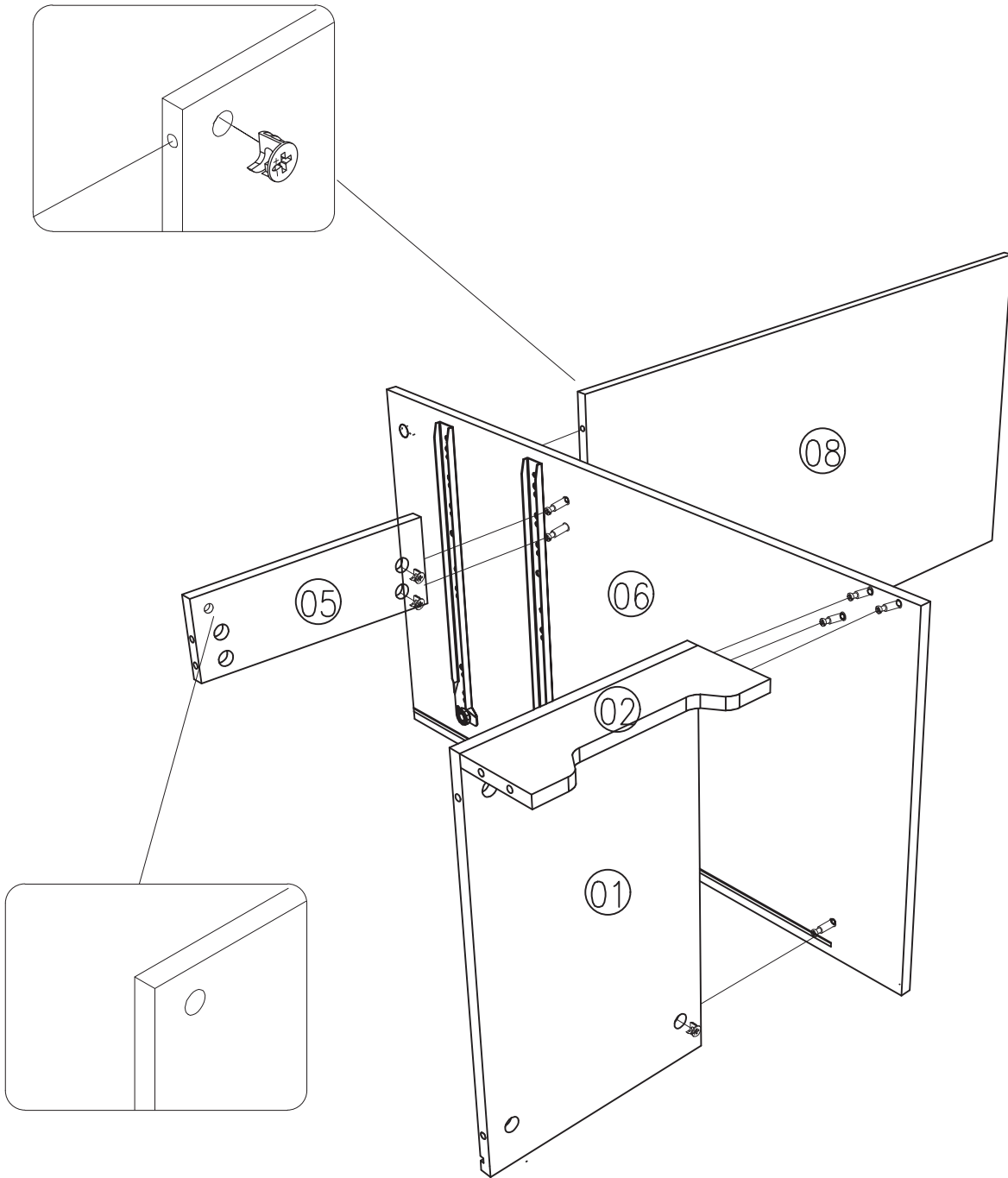
Ø12x10



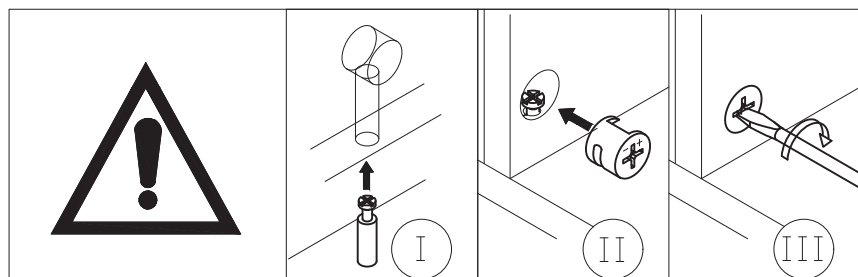
14



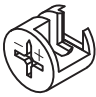
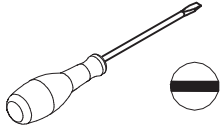
You are advised to perform Steps
14-18 to install the device horizontally

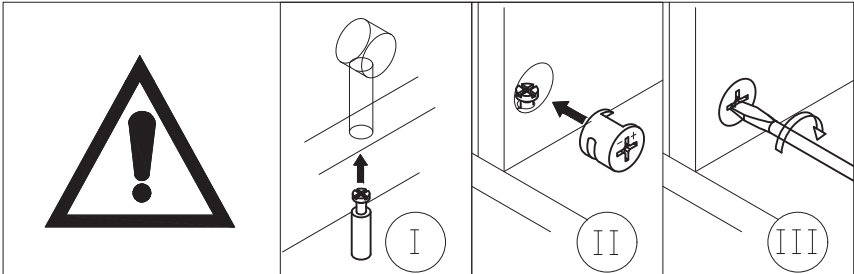
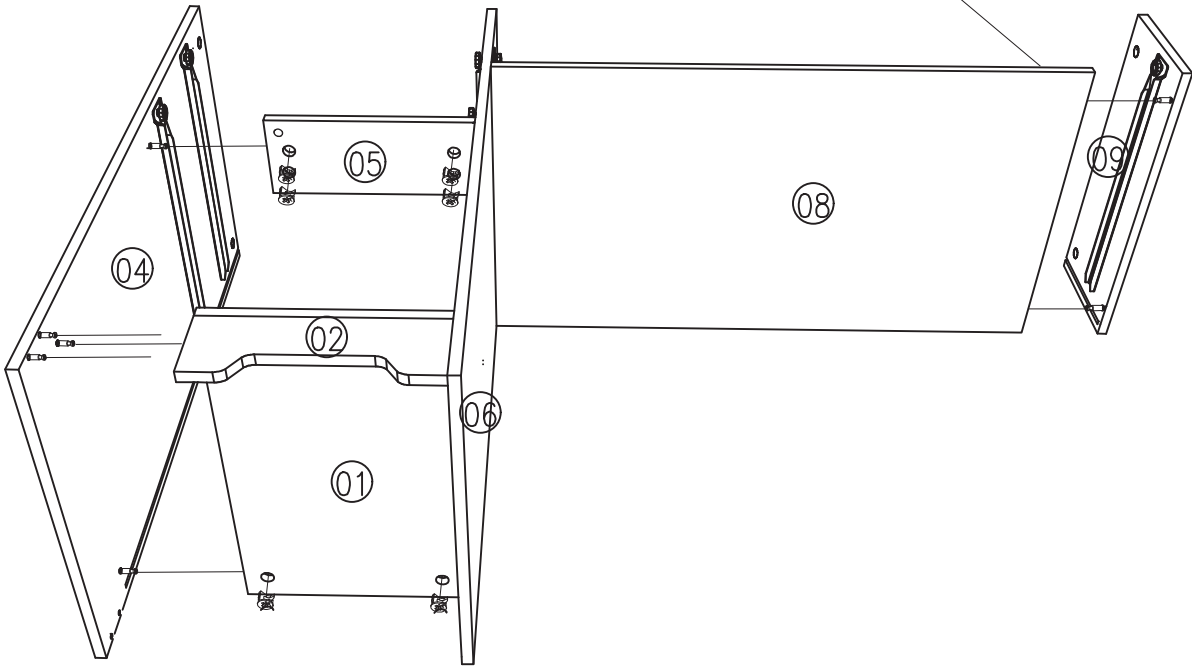
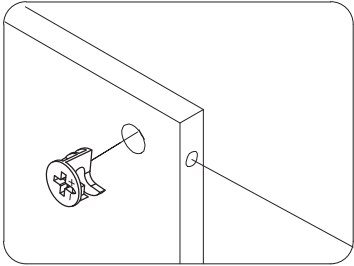


Note: Hole Location.

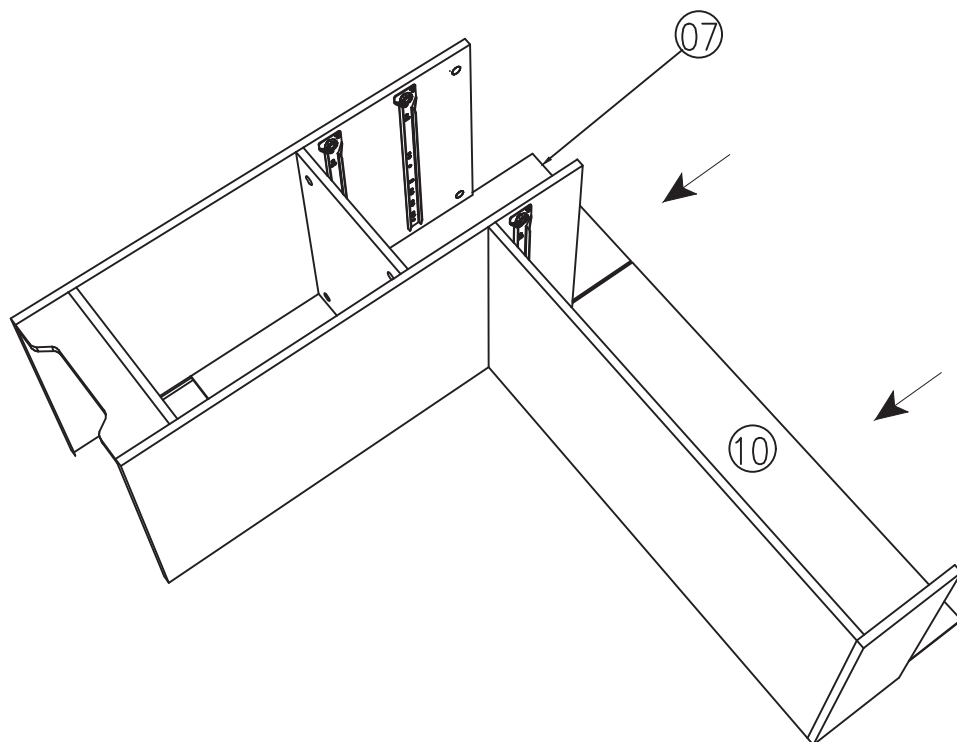


15

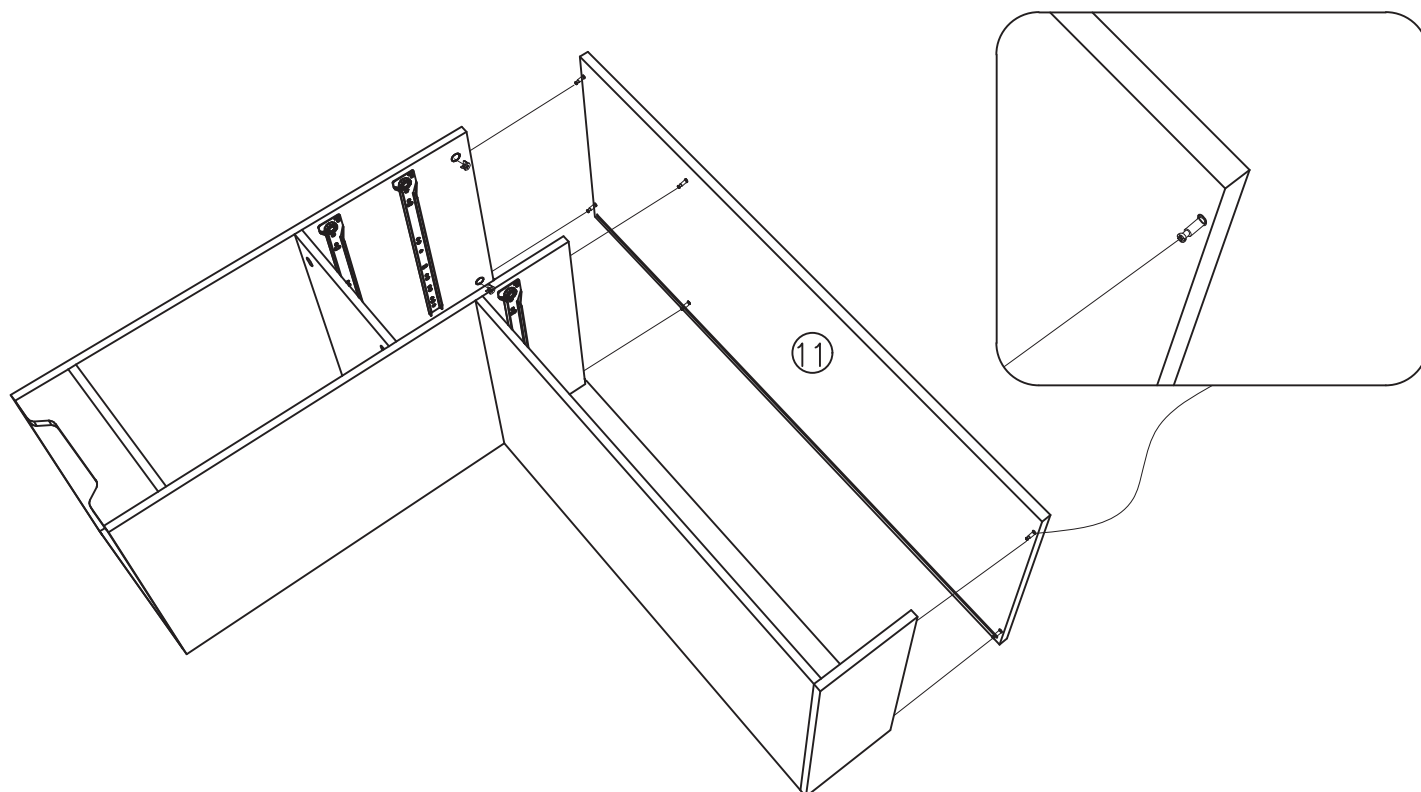
<p>B x 10</p>  <p>Ø12x10</p>		
---	--	--



16

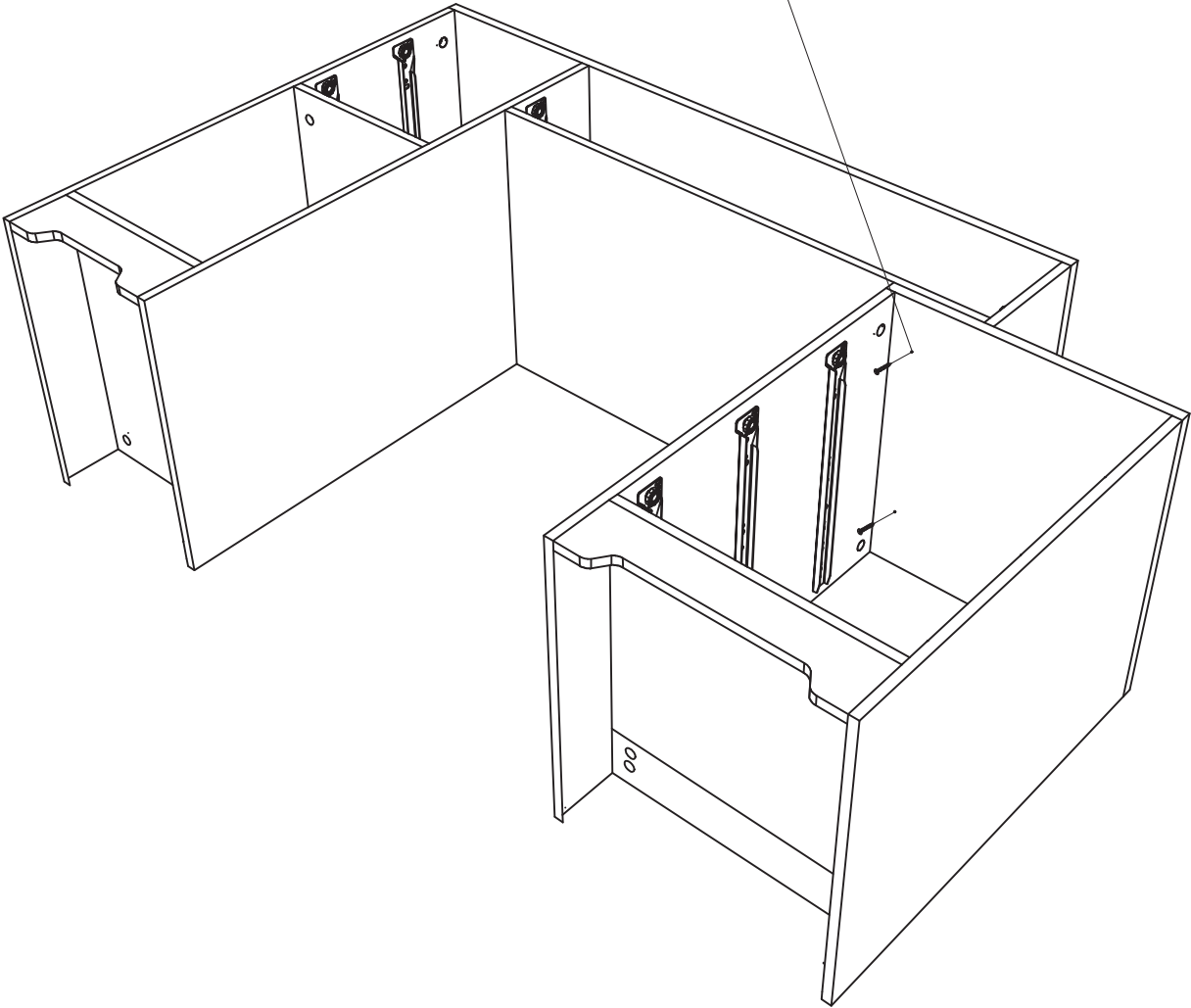
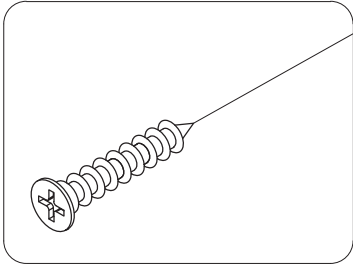
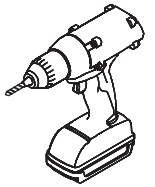


17



18

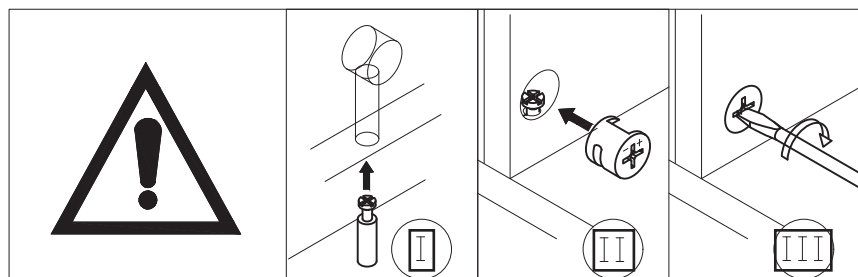
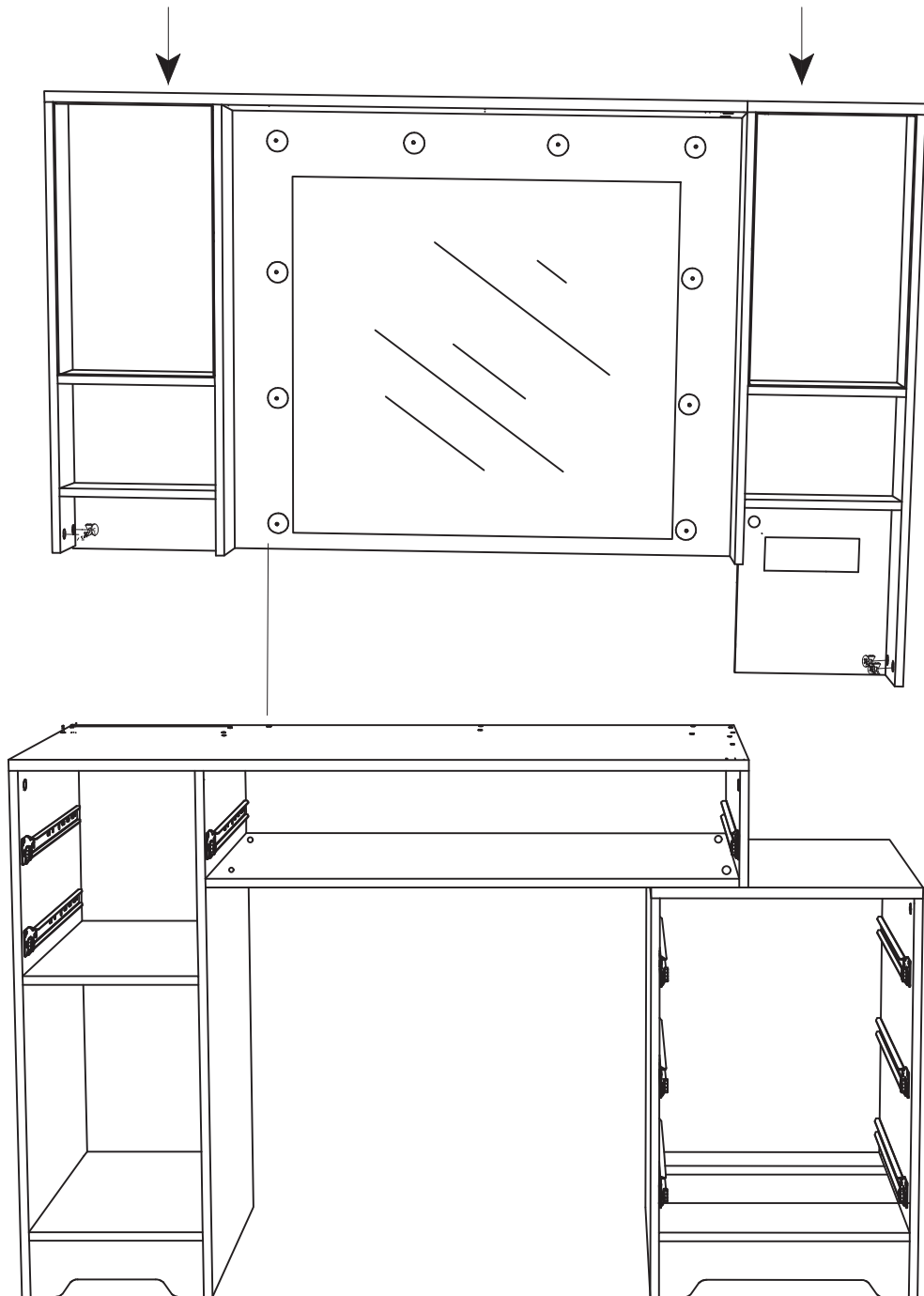
G x 2
Ø3.5x25mm



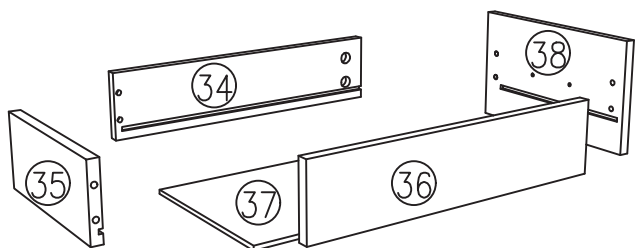
19



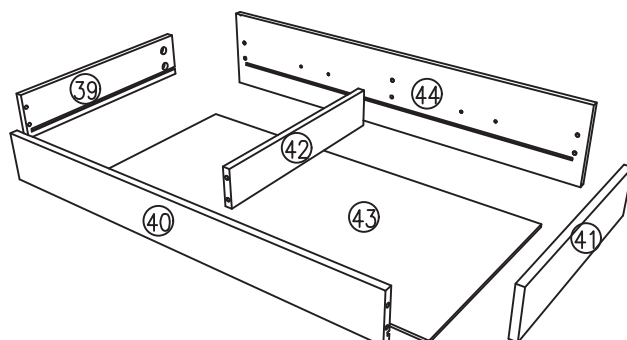
You are advised to perform this step with two persons



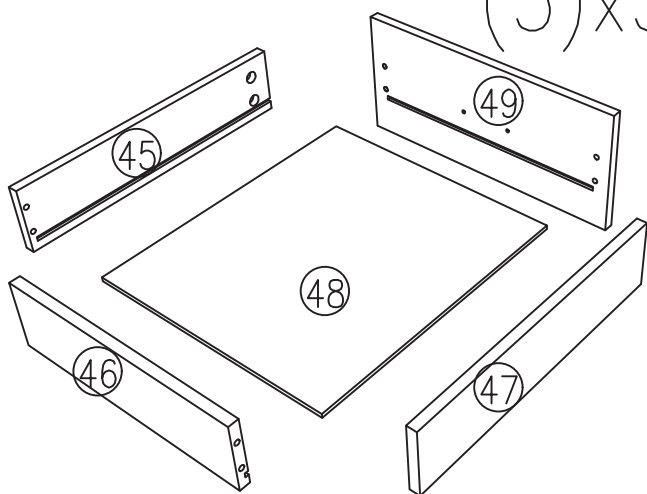
(1)x2



(2)x1



(3)x3



I x2



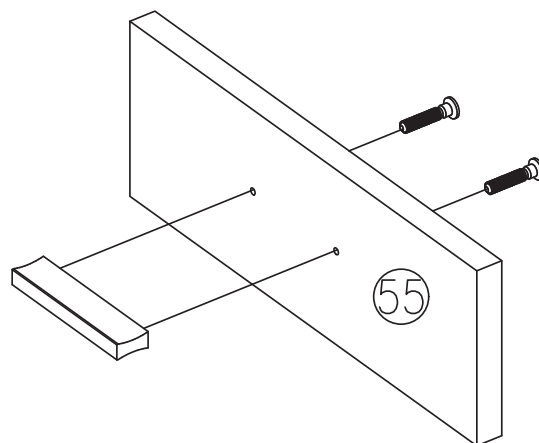
M3x18mm

Z x 1

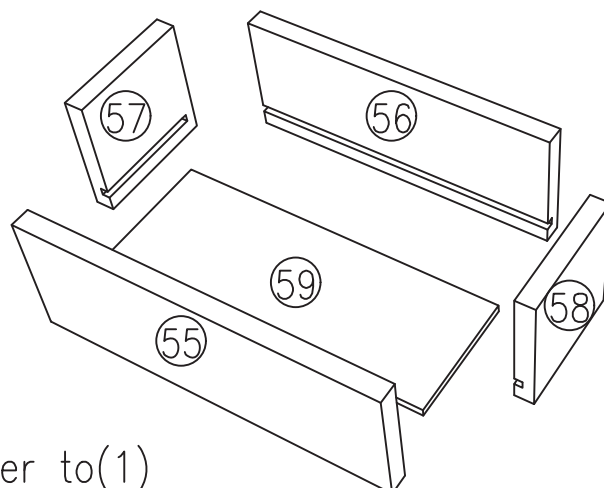
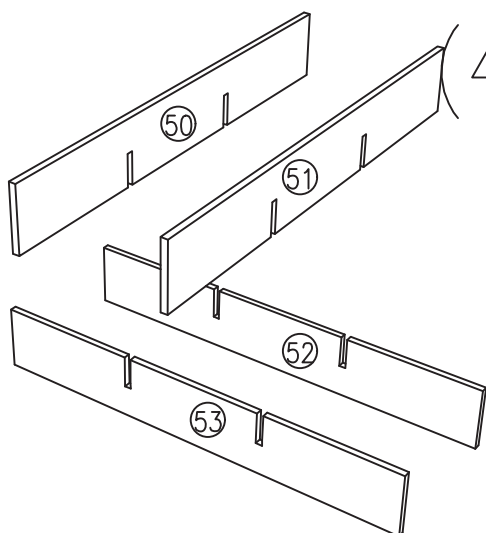


64x10mm

(5)x1



(4)x2

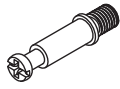


Position the assembly inside the drawer.

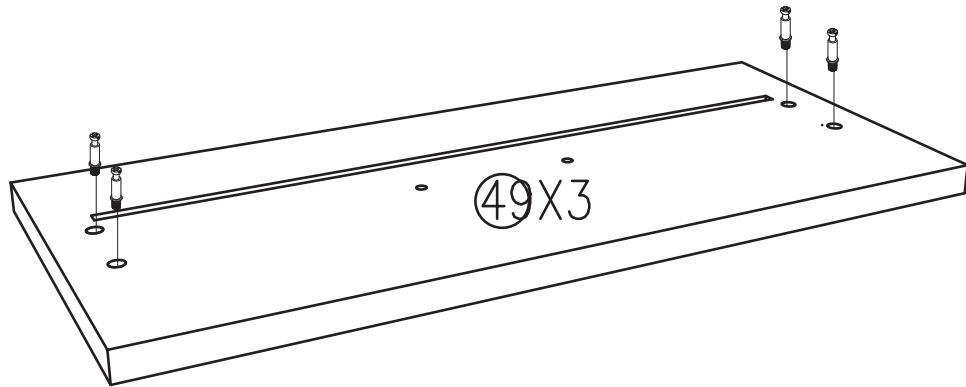
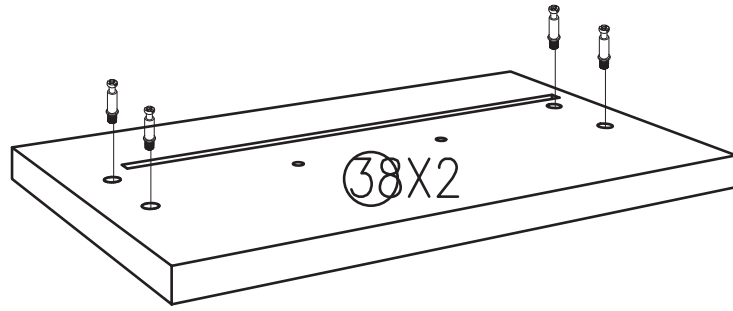
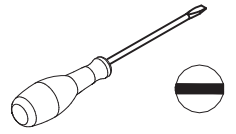
refer to(1)

20

A x20

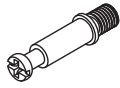


M6x25

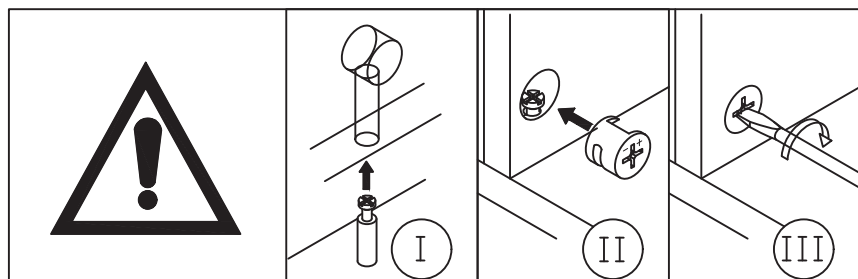
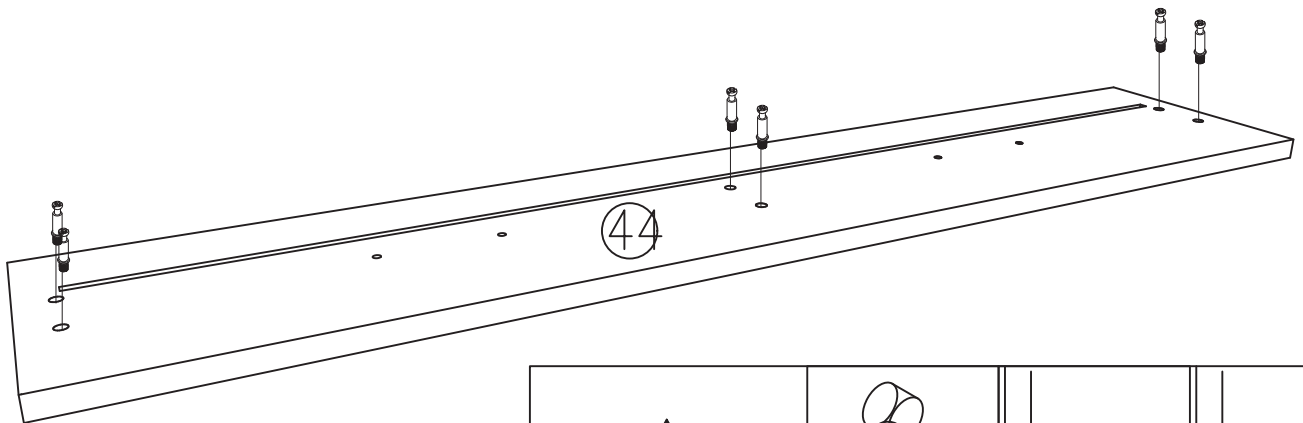
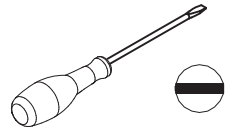


21

A x6



M6x25

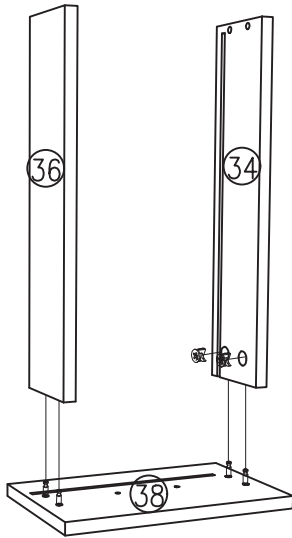
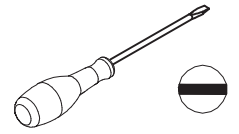


22

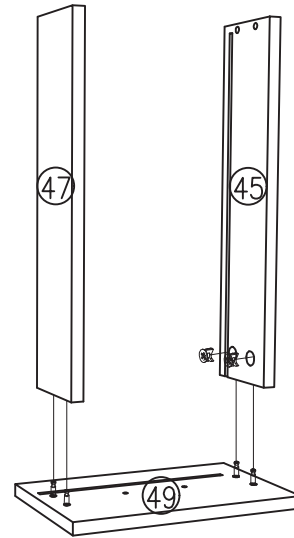
B x 20



Ø12x10



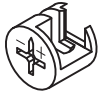
x2



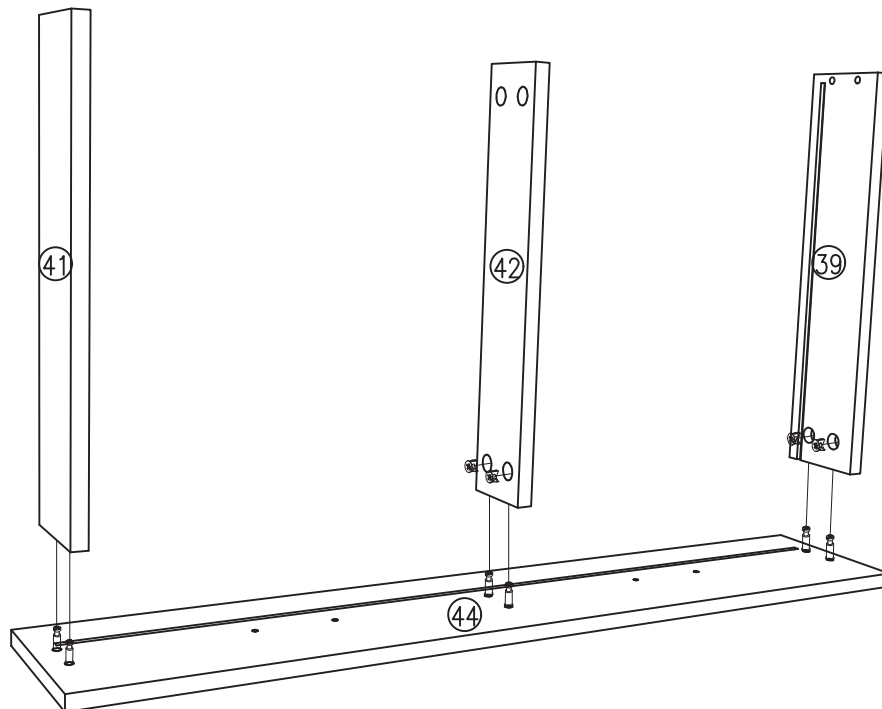
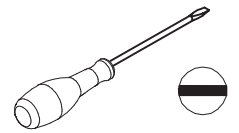
x3

23

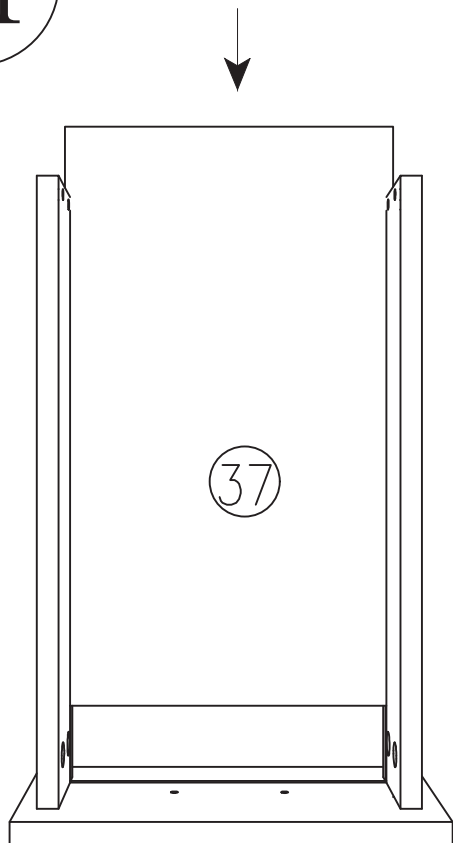
B x 6



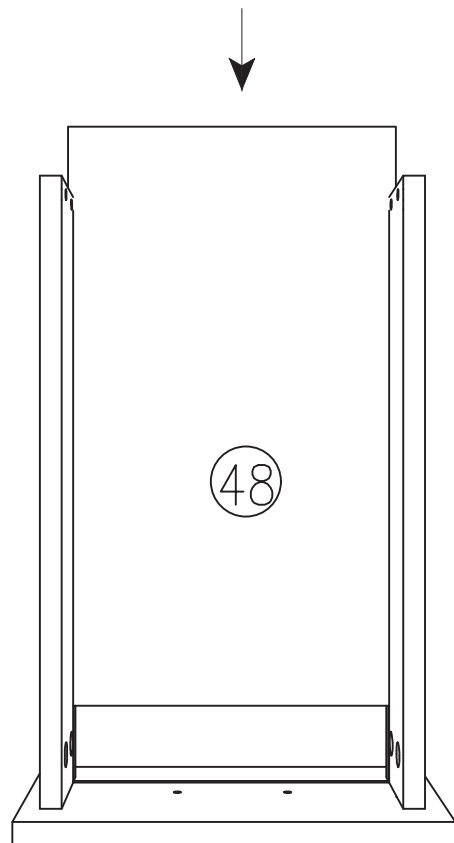
Ø12x10



24

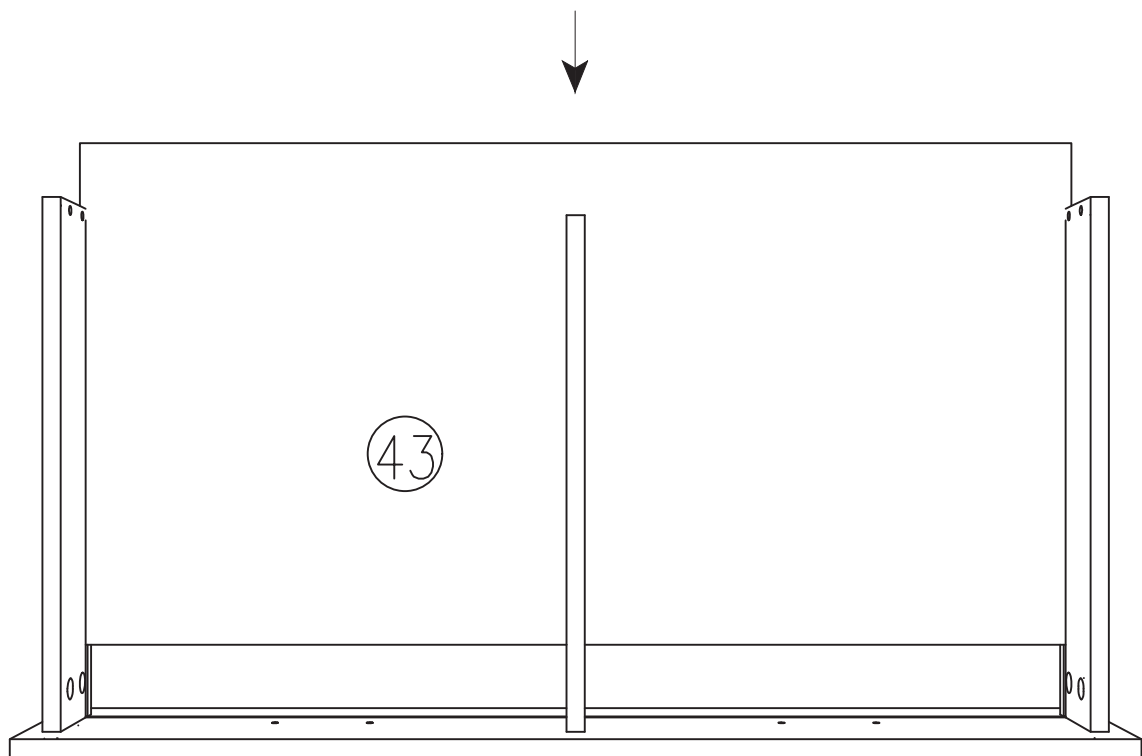


x2

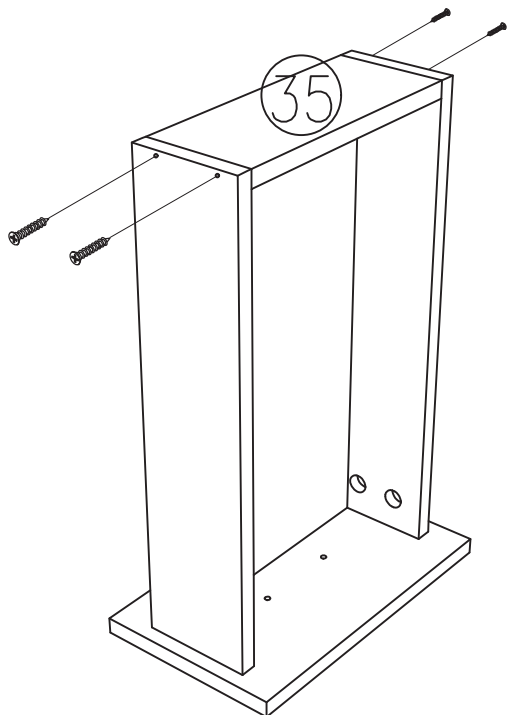
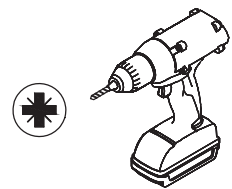
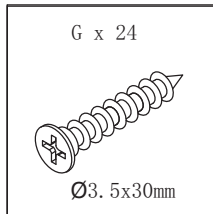


x3

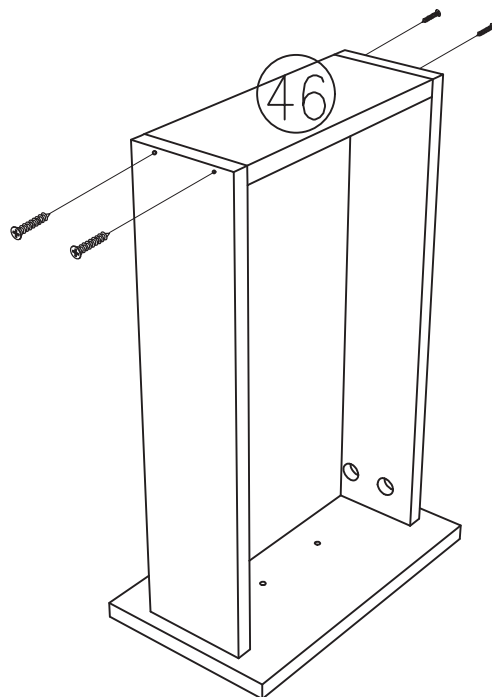
25



26

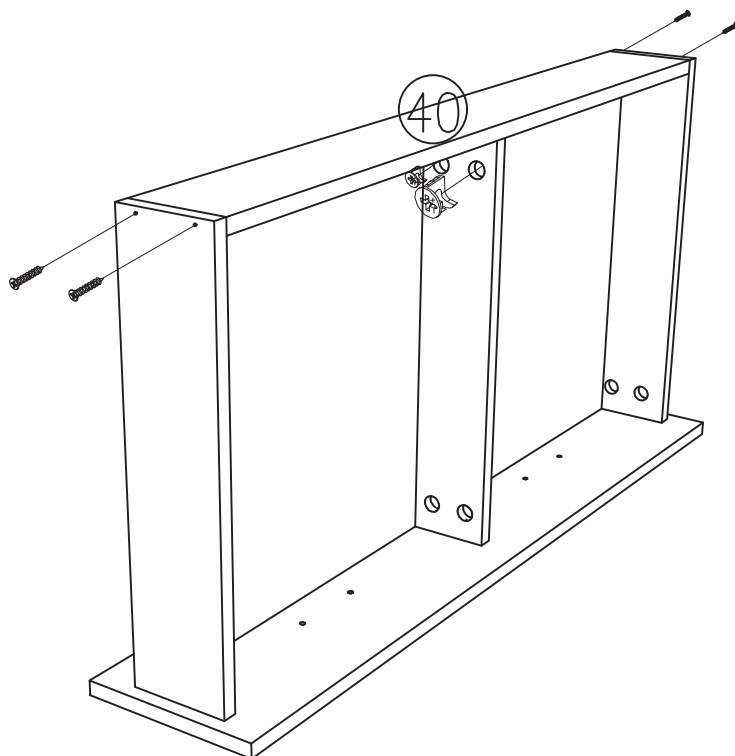
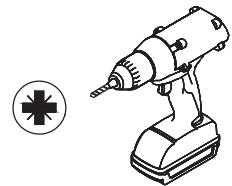
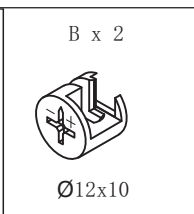
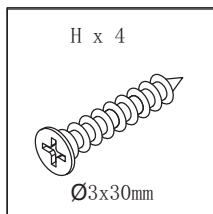


x2

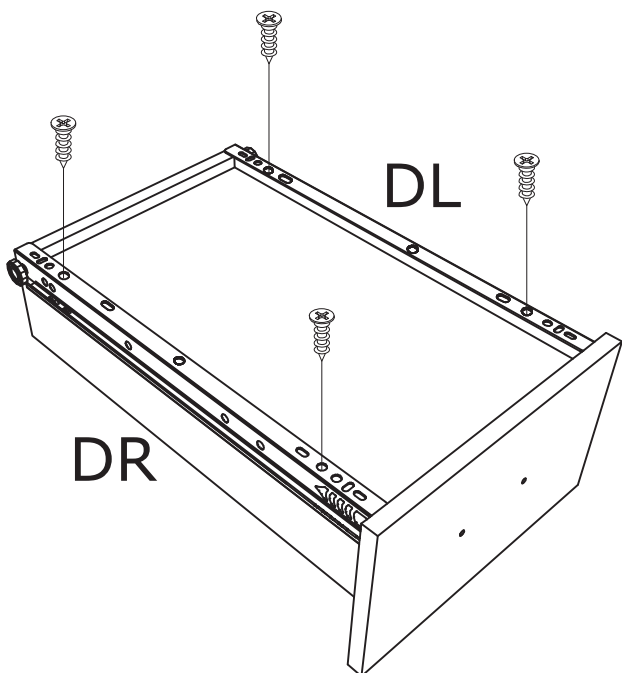
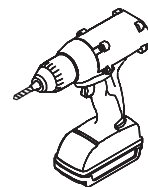
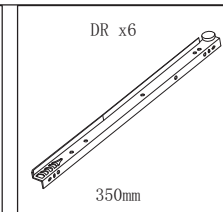
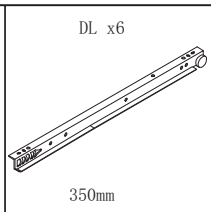
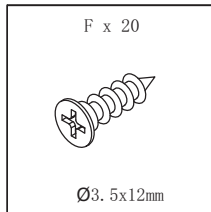


x3

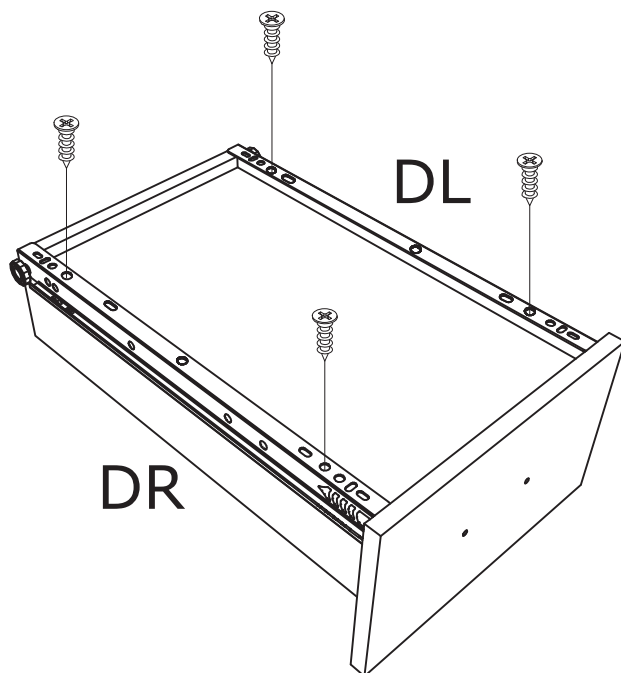
27



28

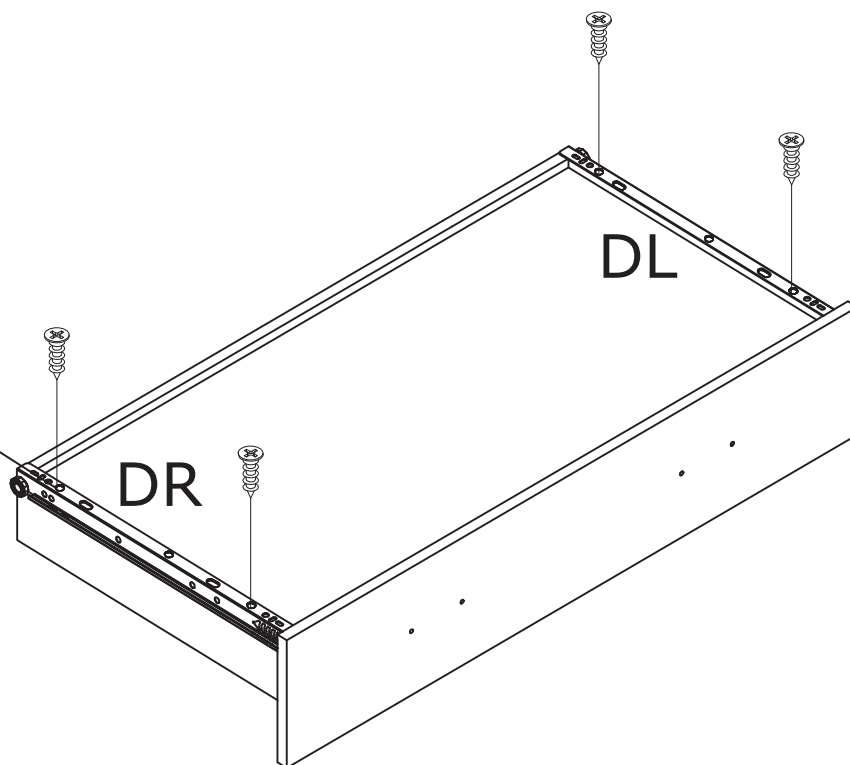
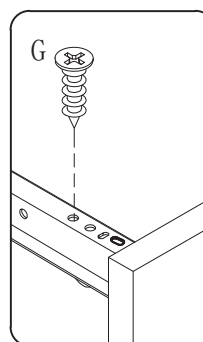
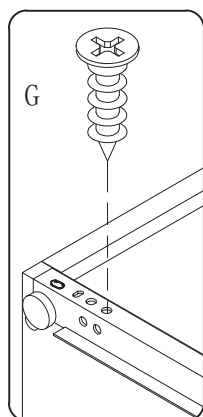
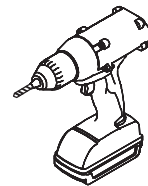
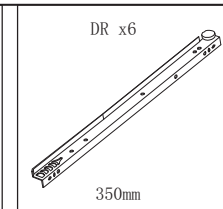
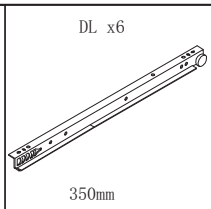
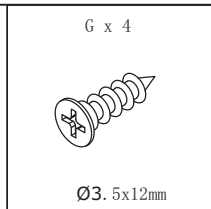


x2

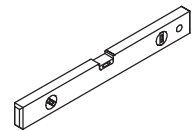


x3

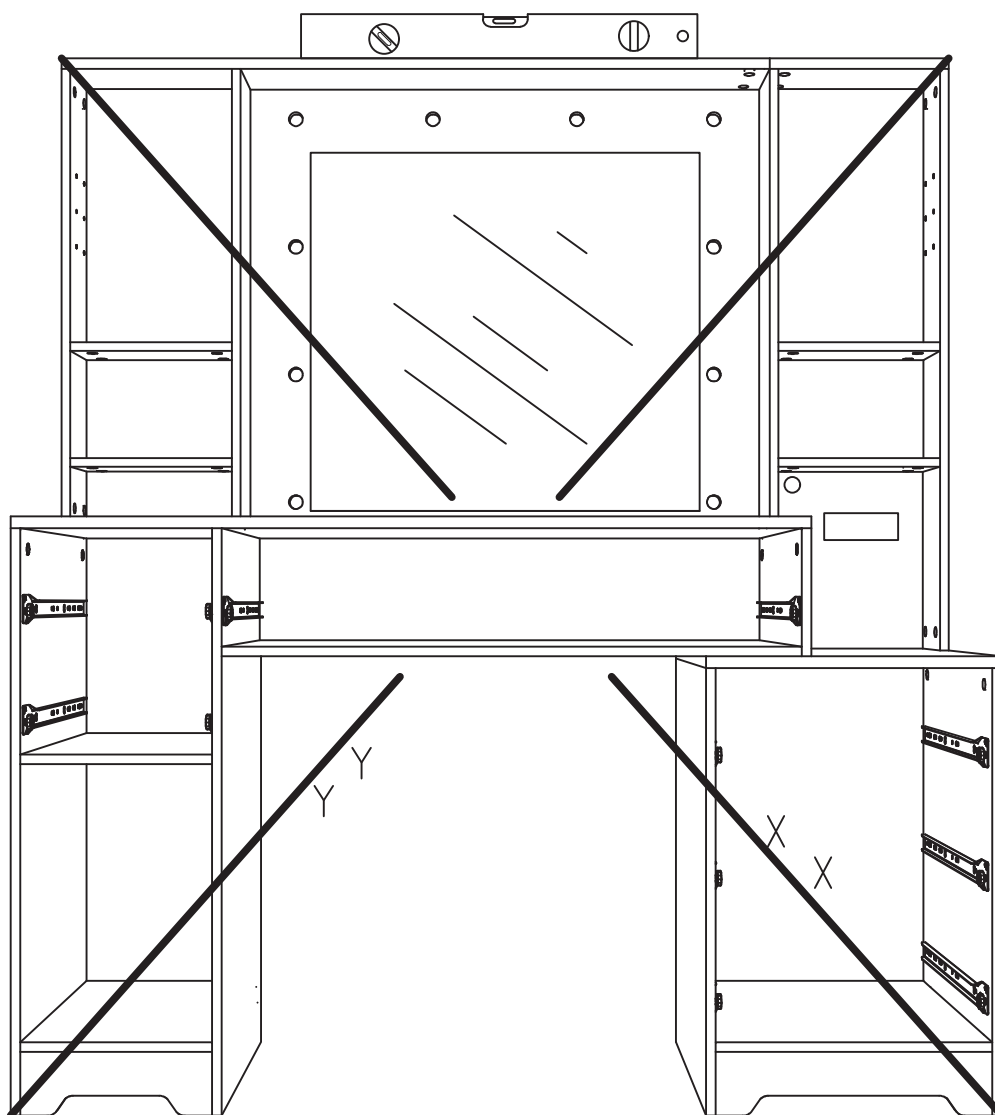
29



30

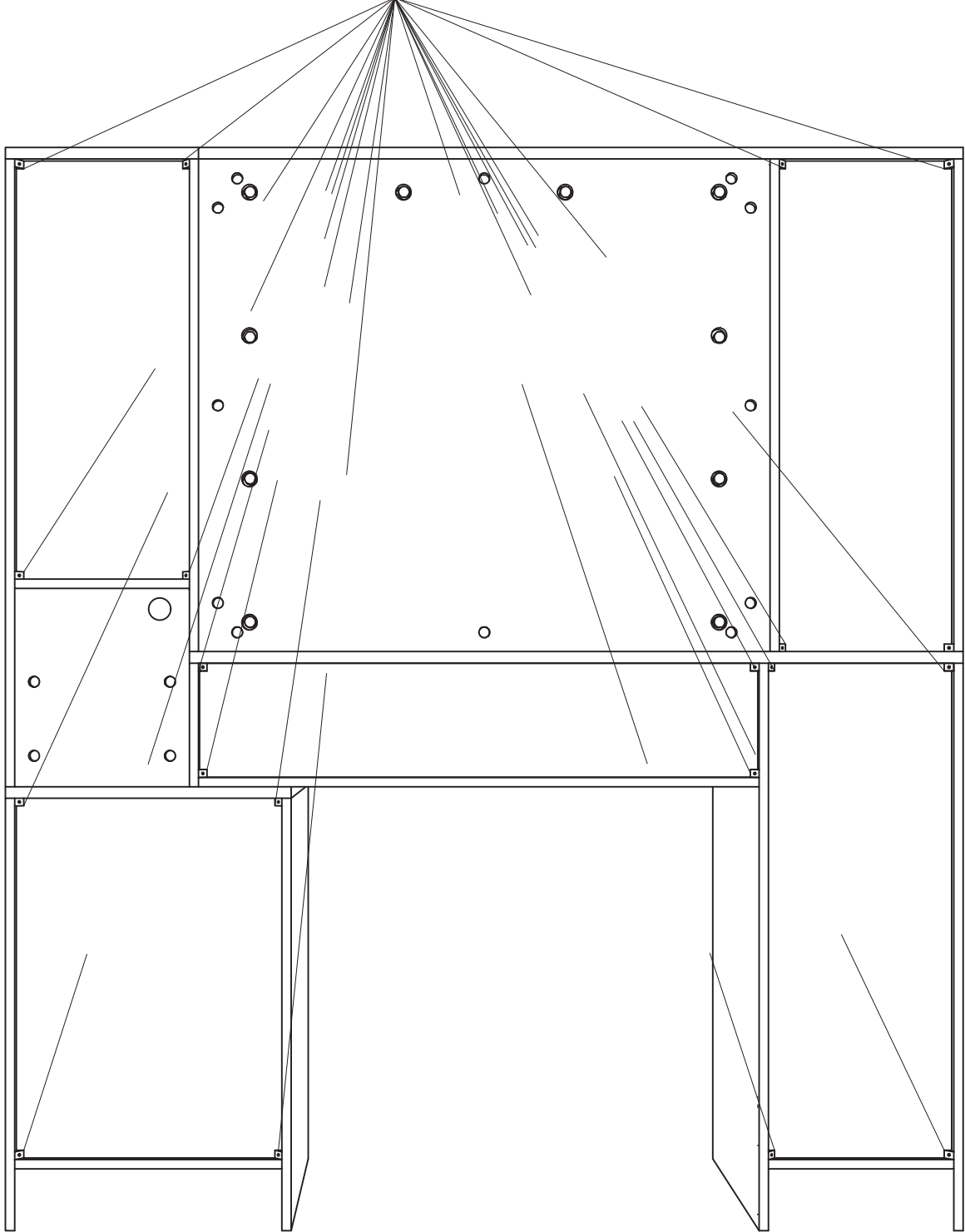
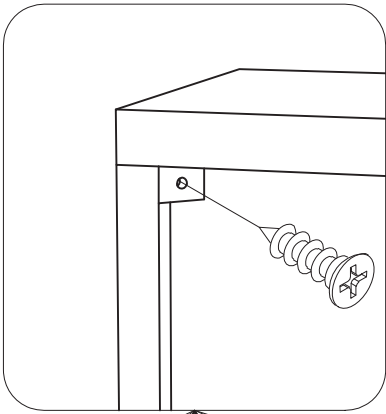
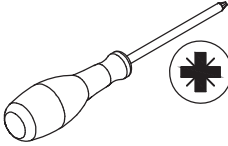


$XX=YY=90^\circ$

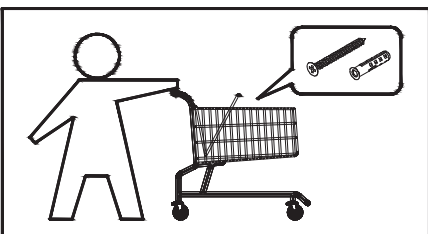
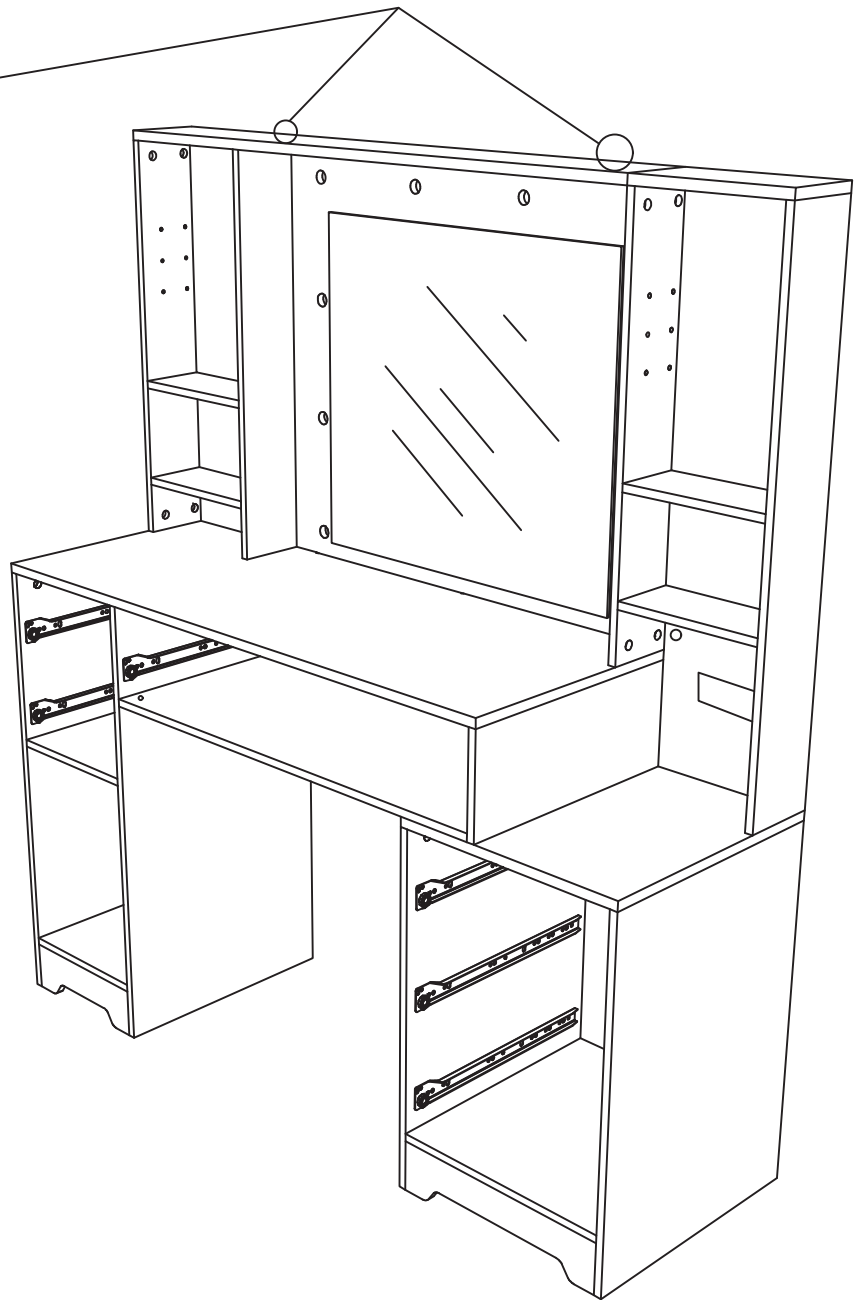
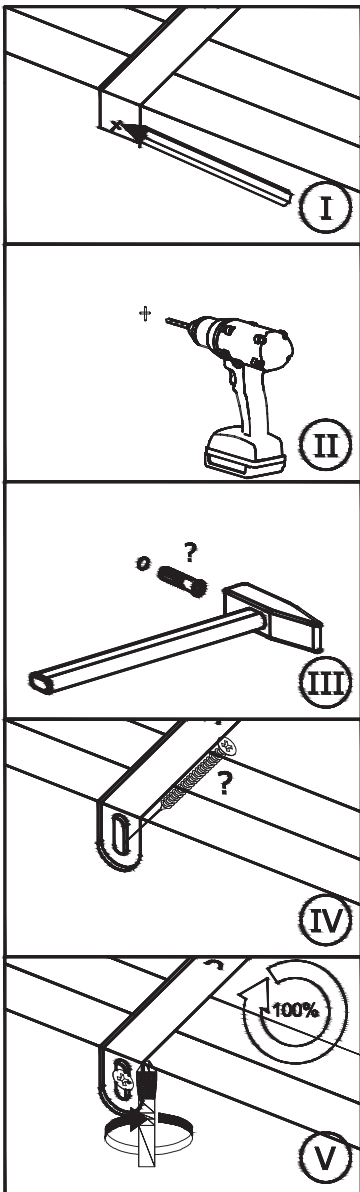
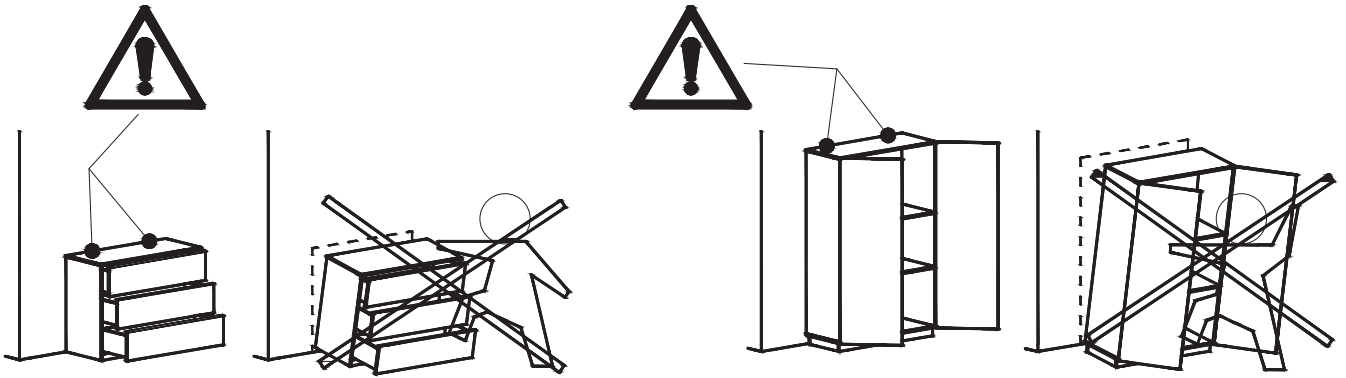
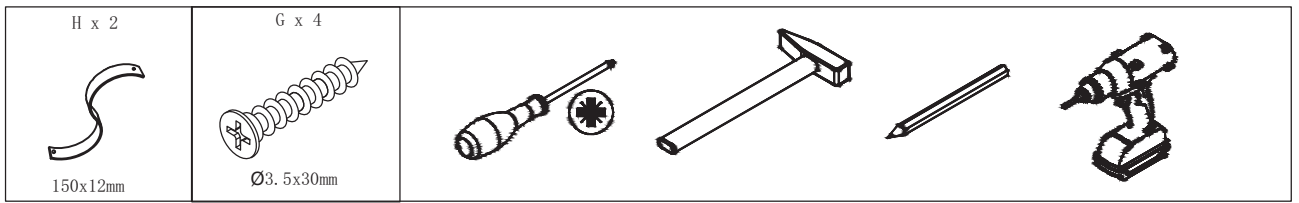


31

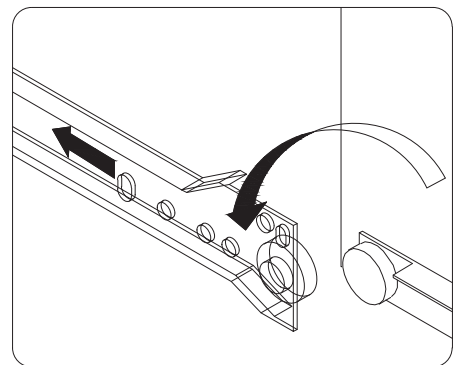
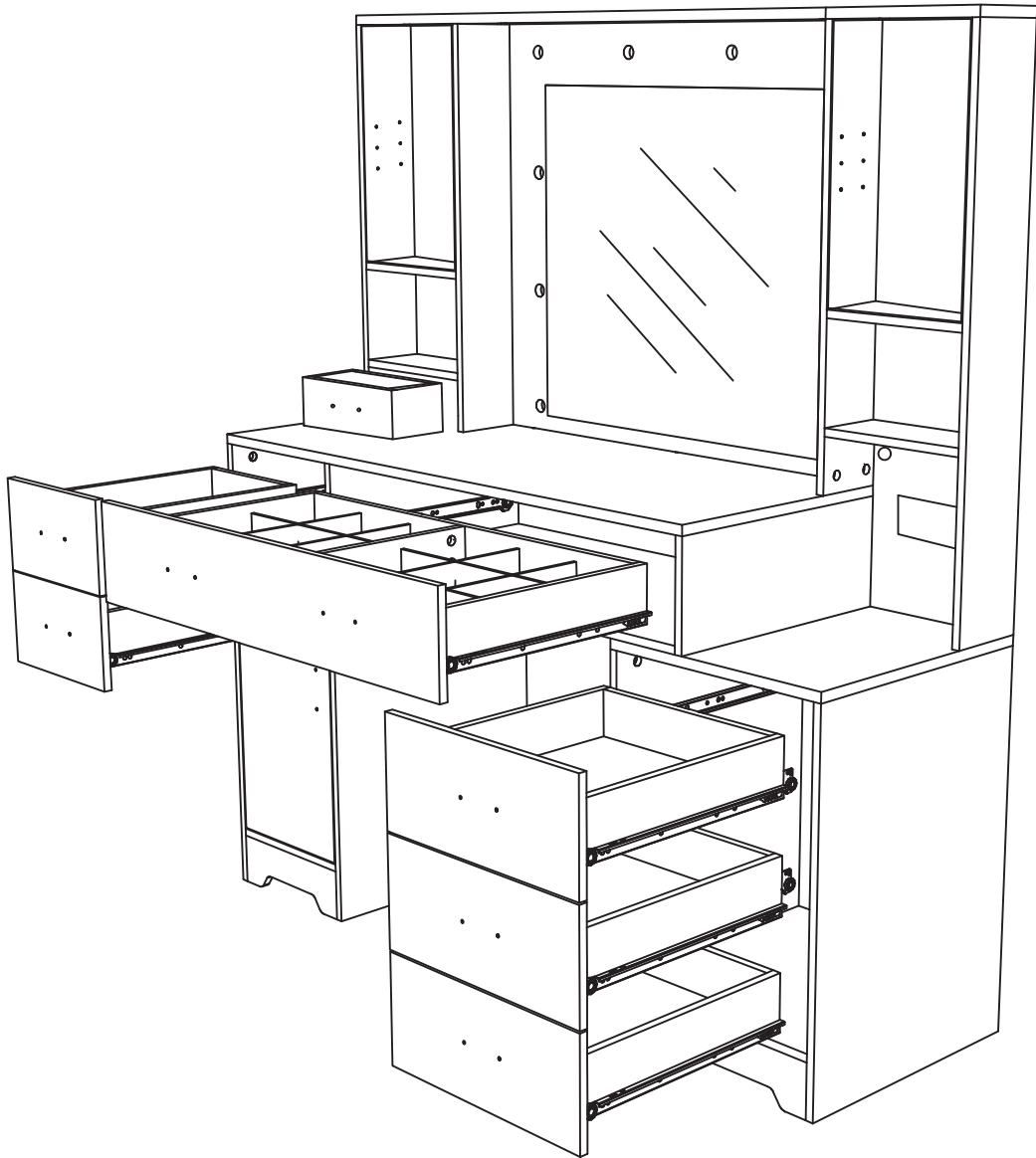
E x 20
10x10mm



32

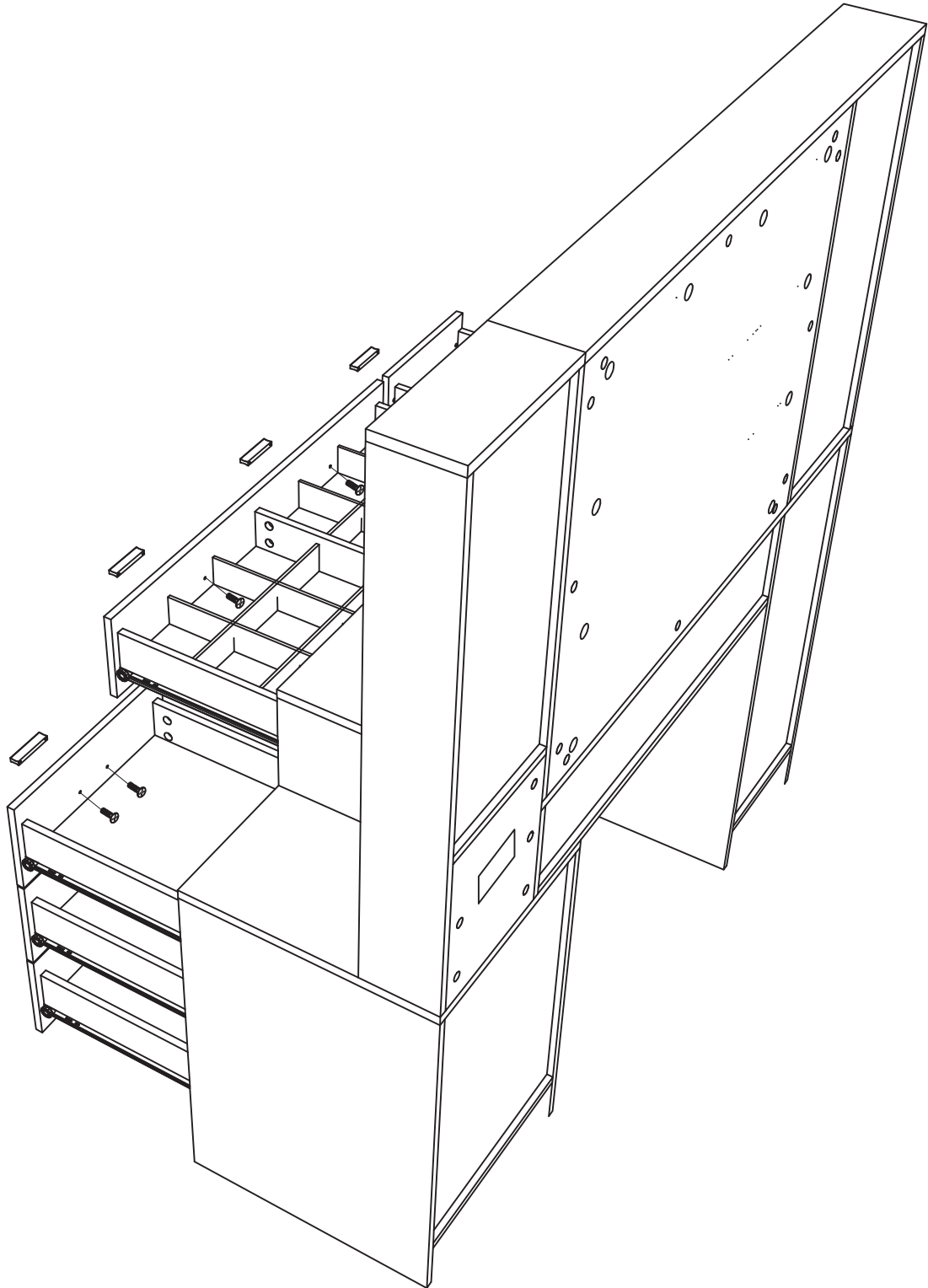


Connect the light strip connector first, and then fix the cabinet to the wall.



34

<p>I x 20</p>  <p>M3x18mm</p>	<p>Z x 10</p>  <p>64x10mm</p>	 
--	--	--

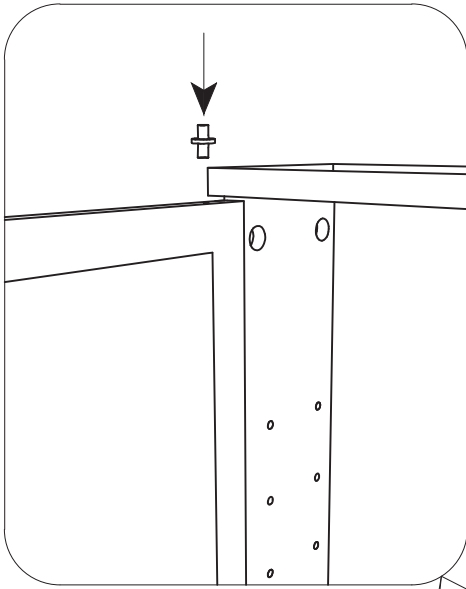


35

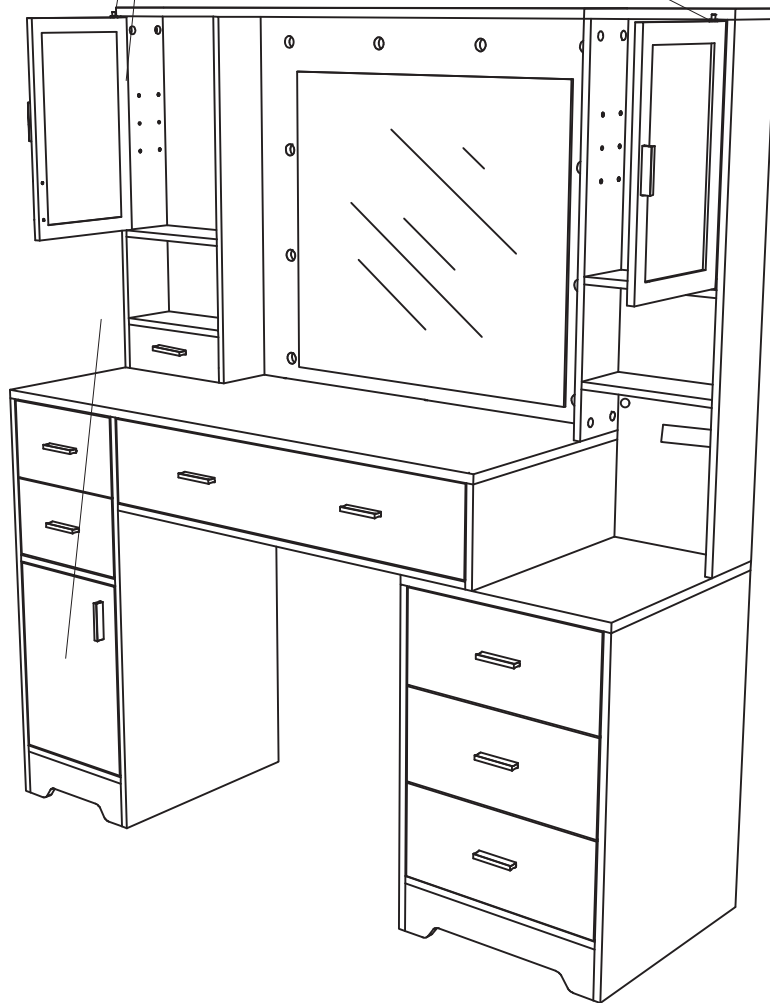
C x 6



M6x18mm



Install the non-resilient end of the fitting on the cabinet door, and gently press the fittings until they slide into the recessed holes of the cabinet.

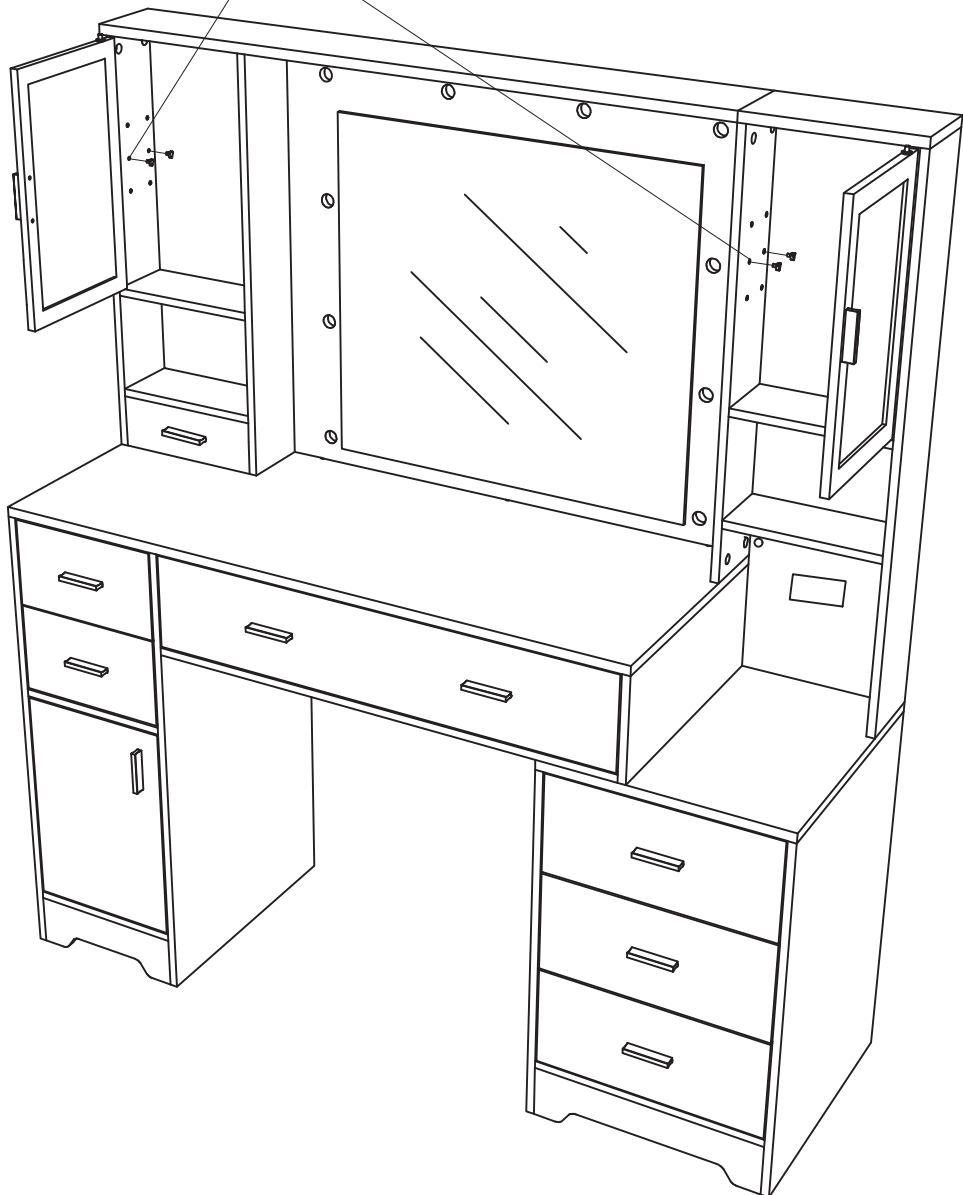
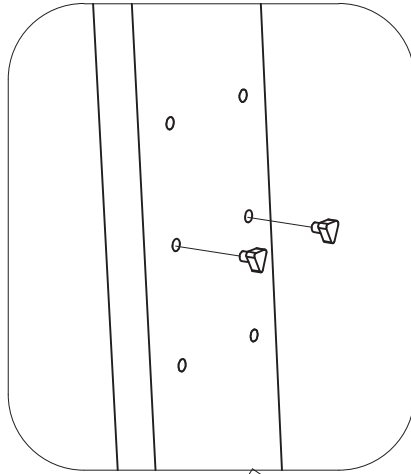


36

M x 8

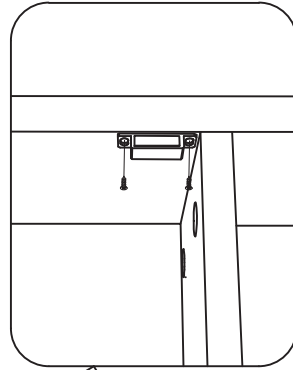
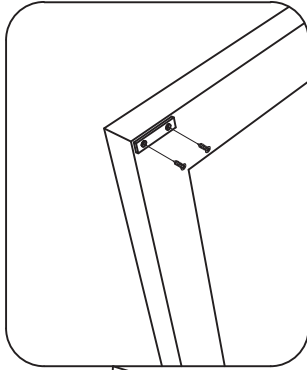


10x12mm

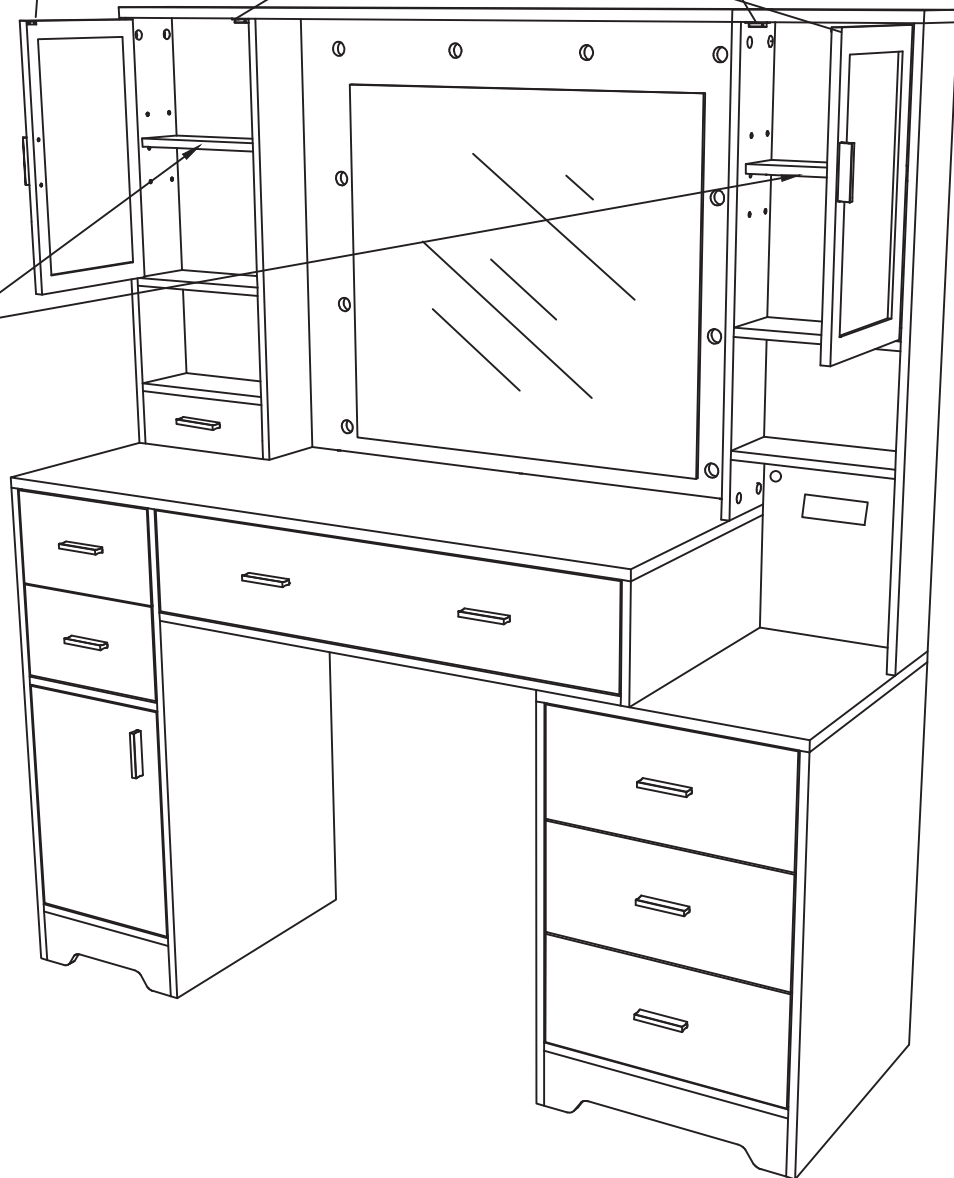


37

<p>L x 2</p>  <p>30x12mm</p>	<p>F x 8</p>  <p>Ø3.5x12mm</p>	
---	---	--



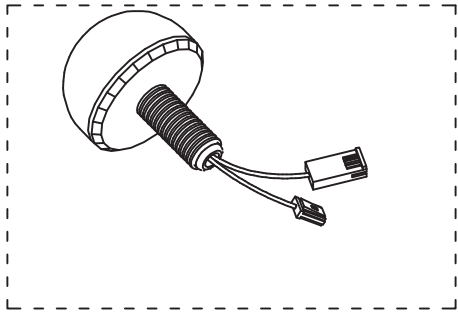
15



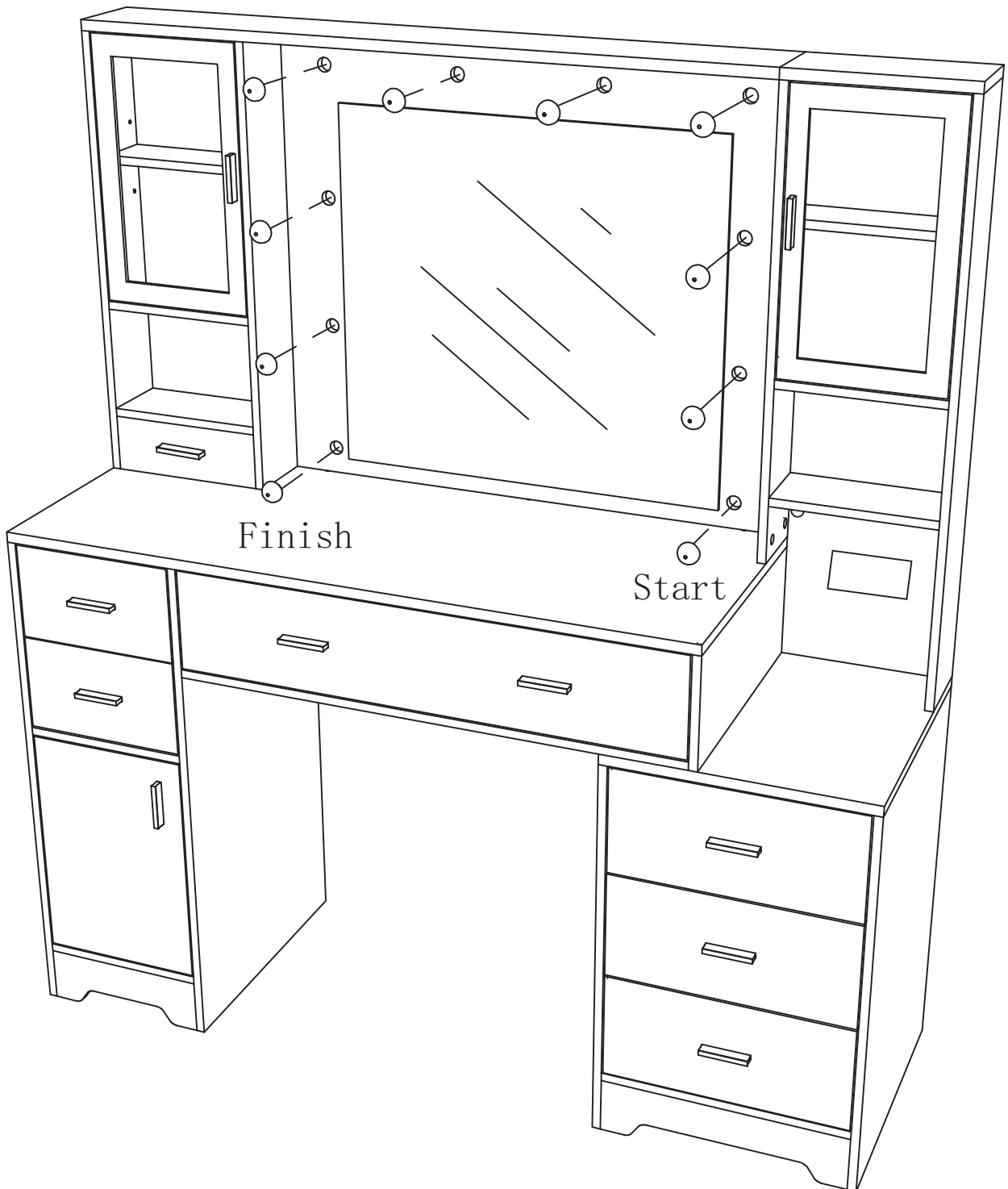
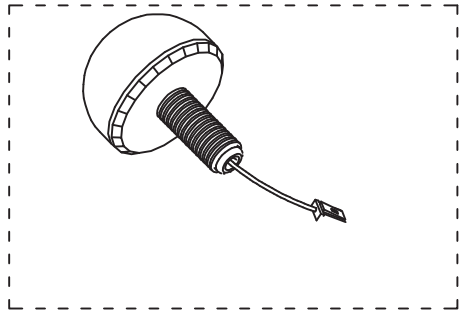
38

<p>K x 10</p>  <p>30x15mm</p>	
--	--

Start with



Finish with



39

