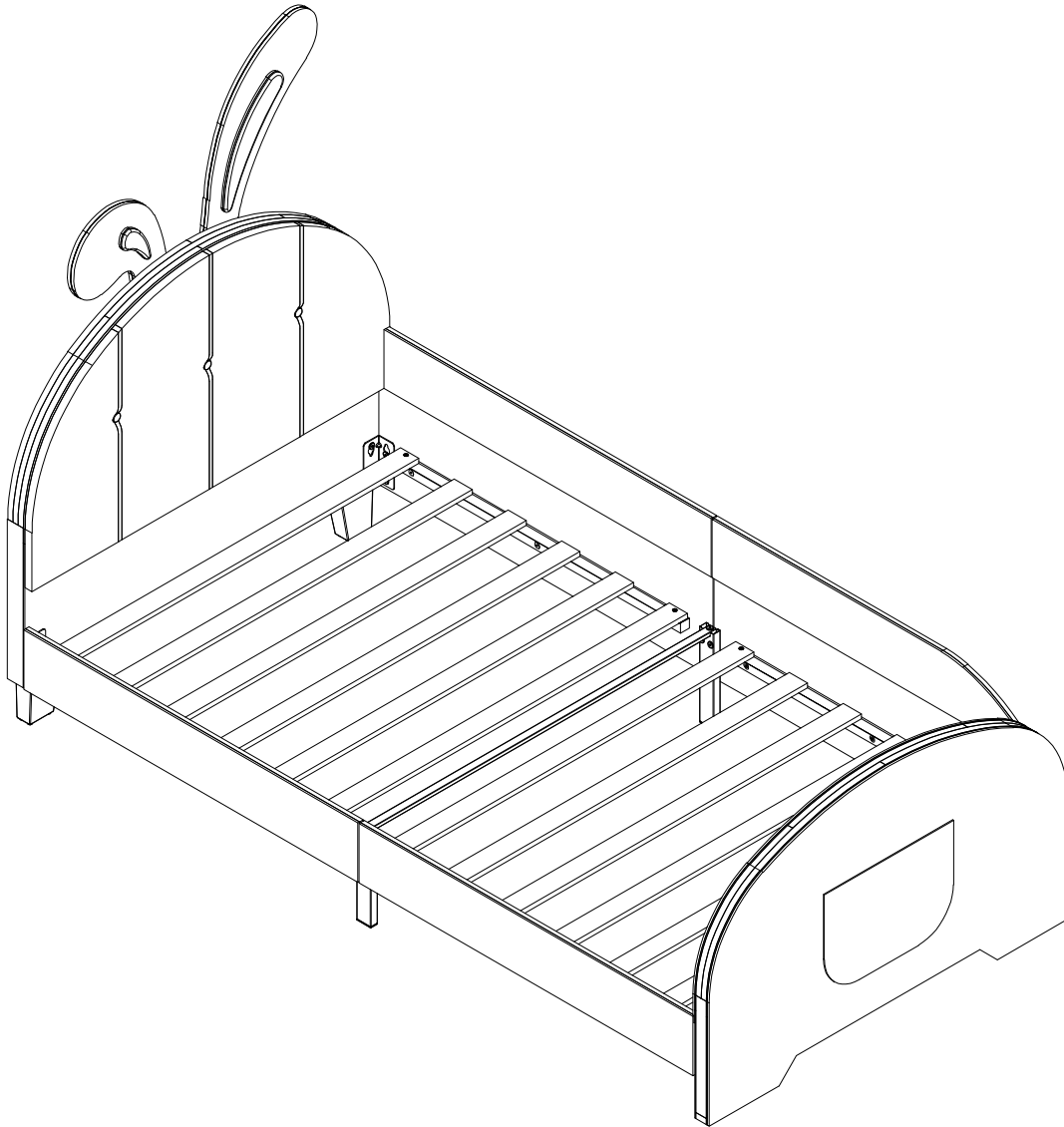
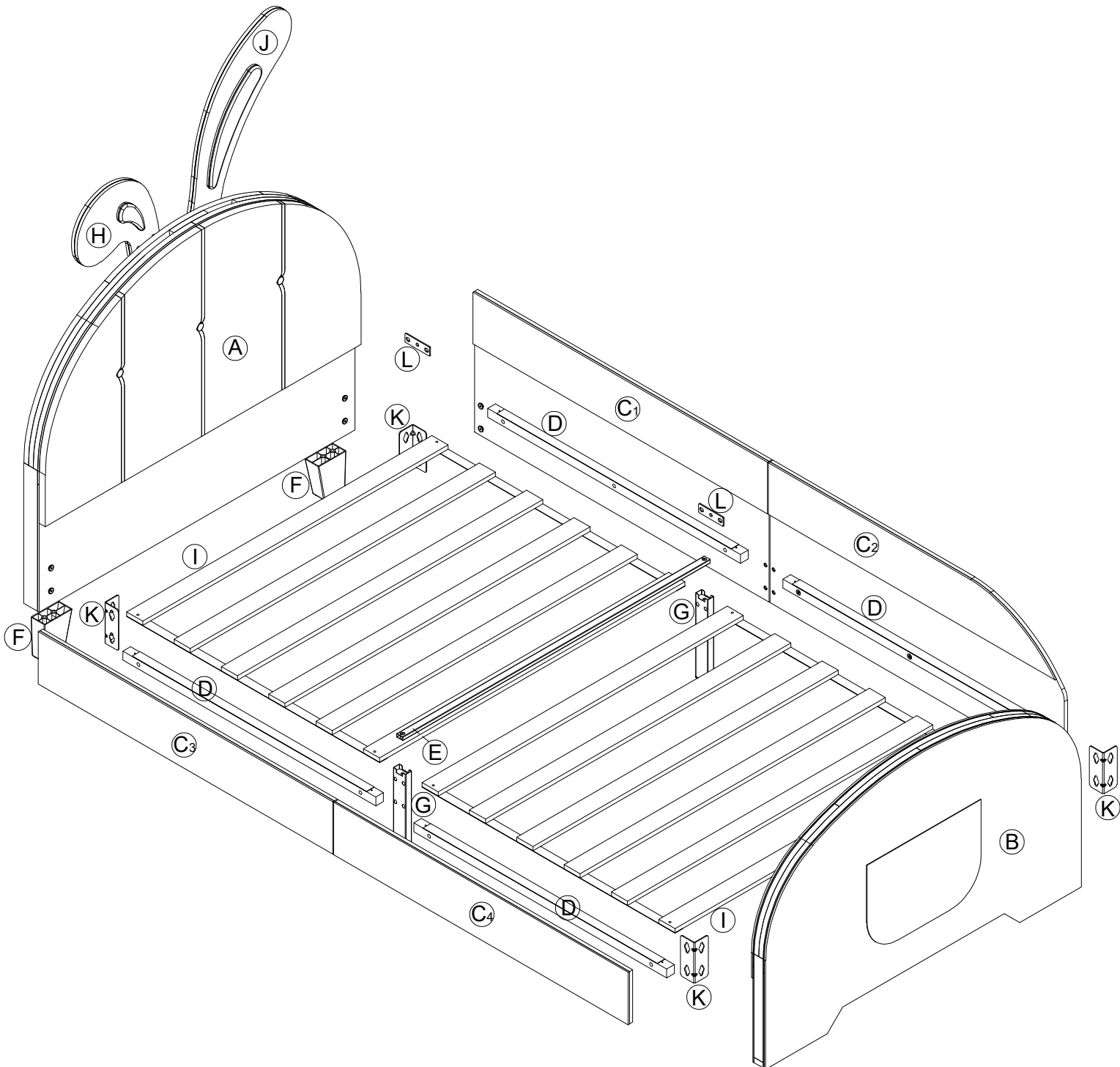


Upholstered bed



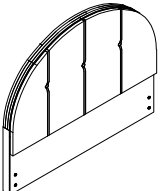
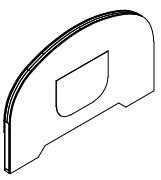
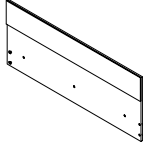
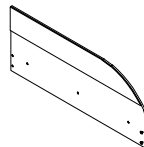
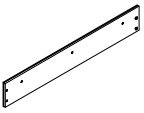
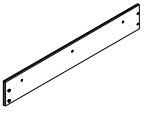
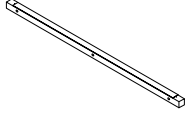
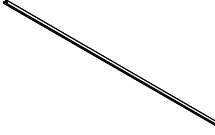
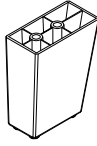
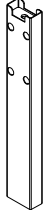

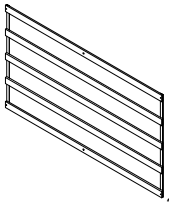

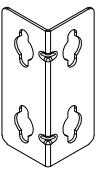
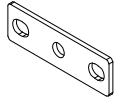
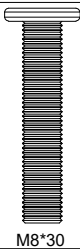
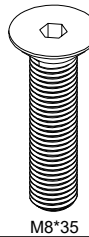
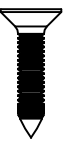

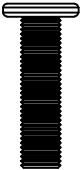

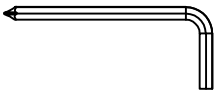

TIPS

1. Please read the instructions fully before assembly. These instructions include important information which could ensure correct assembly. We have been working on providing high quality products for you. However, in the rare instance that your product is defective, missing parts or there are some issues, please don't hesitate to contact our customer service to submit parts requirements, assembly suggestion, or warranty claims, and we will give the best solution as soon as possible. If necessary, we need you to provide some more clear pictures of the issue.
2. Insert the screws in holes and tighten the screws, but not too tight, 70%~80% is ok, finally tighten all the screws. If some issues happened that some screws can not target to the hole or some parts are difficult to install, please adjust the tightness of the screws.

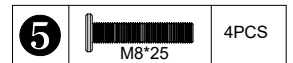
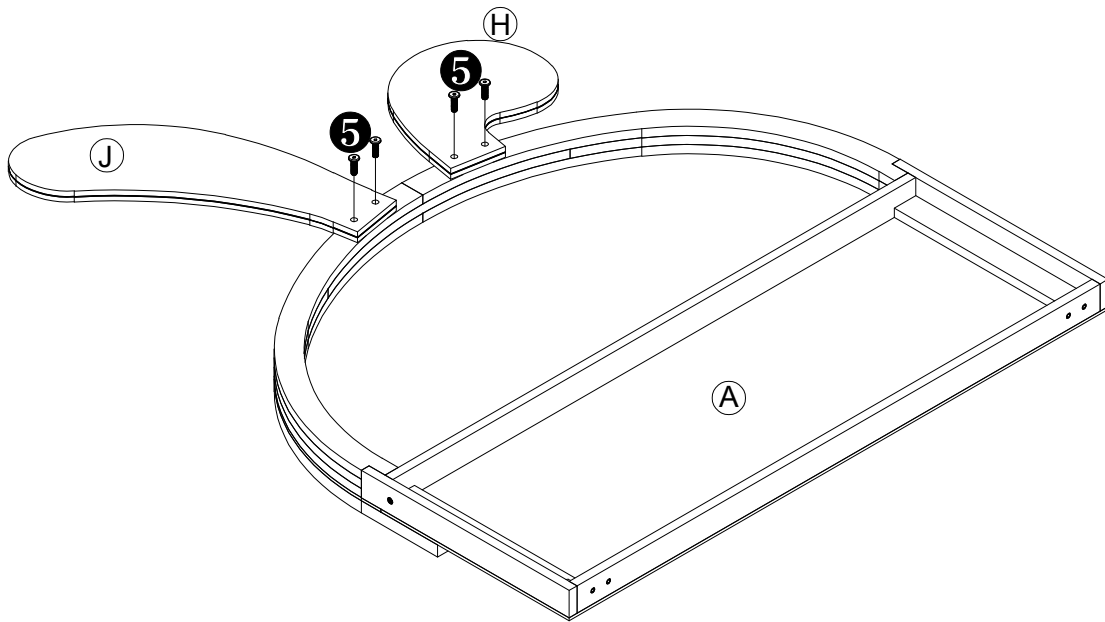


1. This product is not suitable for mattress recessed type.
2. This product is suitable for placing mattresses on the top.

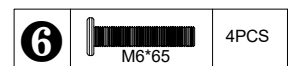
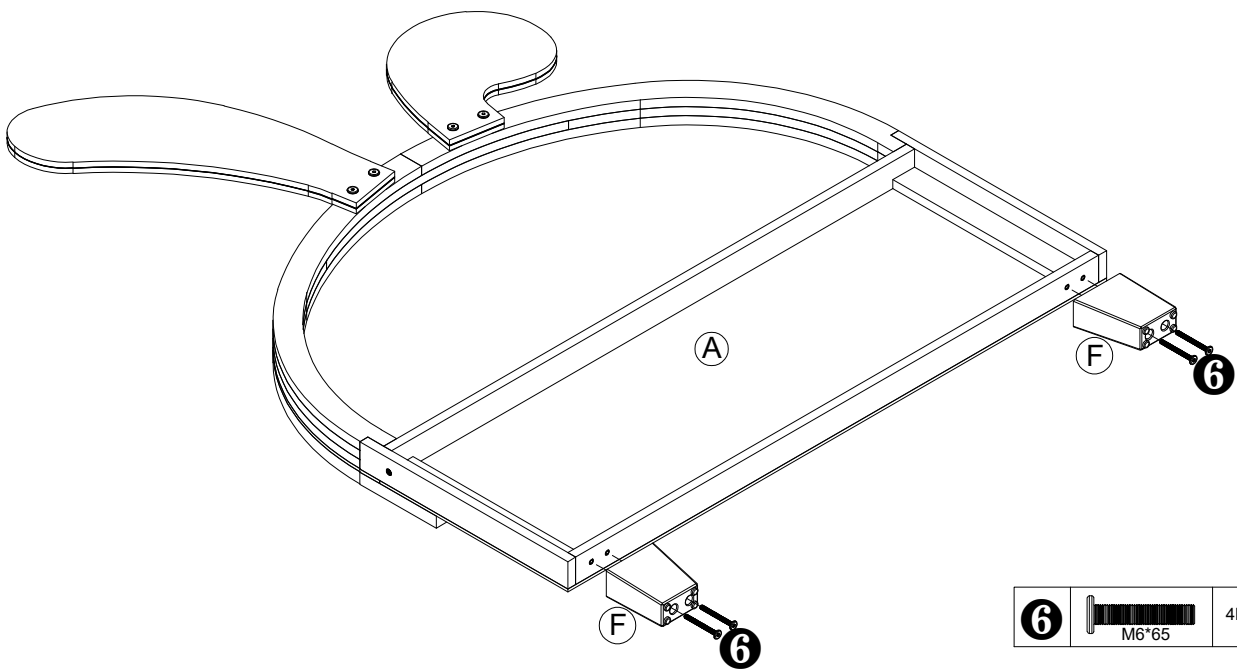
Part List

<p>A</p>  <p>1PC</p>	<p>B</p>  <p>1PC</p>	<p>C₁</p>  <p>1PC</p>	<p>C₂</p>  <p>1PC</p>	<p>C₃</p>  <p>1PC</p>
<p>C₄</p>  <p>1PC</p>	<p>D</p>  <p>4PCS</p>	<p>E</p>  <p>1PC</p>	<p>F</p>  <p>2PCS</p>	<p>G</p>  <p>2PCS</p>
<p>H</p>  <p>1PC</p>	<p>I</p>  <p>2PCS</p>	<p>J</p>  <p>1PC</p>	<p>K</p>  <p>4PCS</p>	<p>L</p>  <p>2PCS</p>
<p>1</p>  <p>M8*30 10PCS</p>	<p>2</p>  <p>M8*35 12PCS</p>	<p>3</p>  <p>M5*35 8PCS</p>	<p>4</p>  <p>M8*15 4PCS</p>	<p>5</p>  <p>M8*25 4PCS</p>
<p>6</p>  <p>M6*65 4PCS</p>	<p>7</p>  <p>4*80 1PC</p>	<p>8</p>  <p>4*80 1PC</p>		

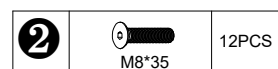
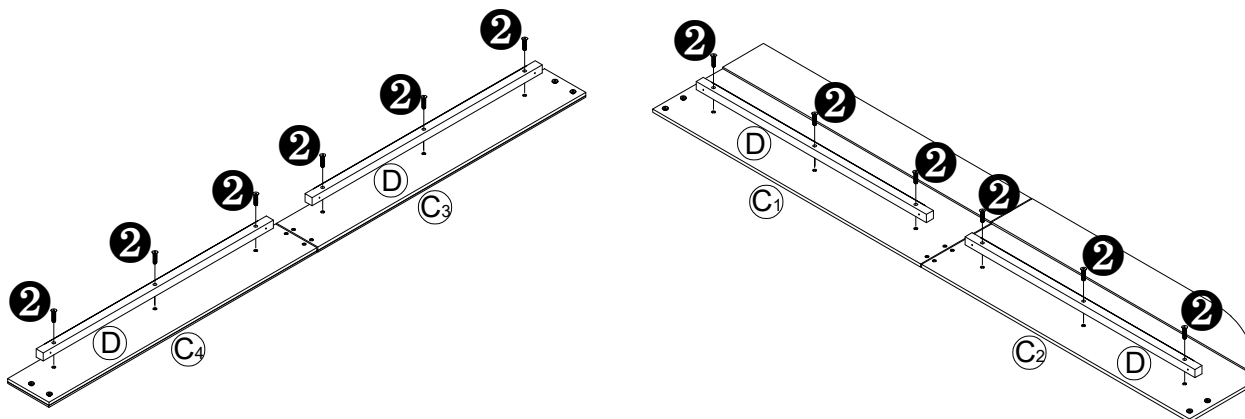
1



2

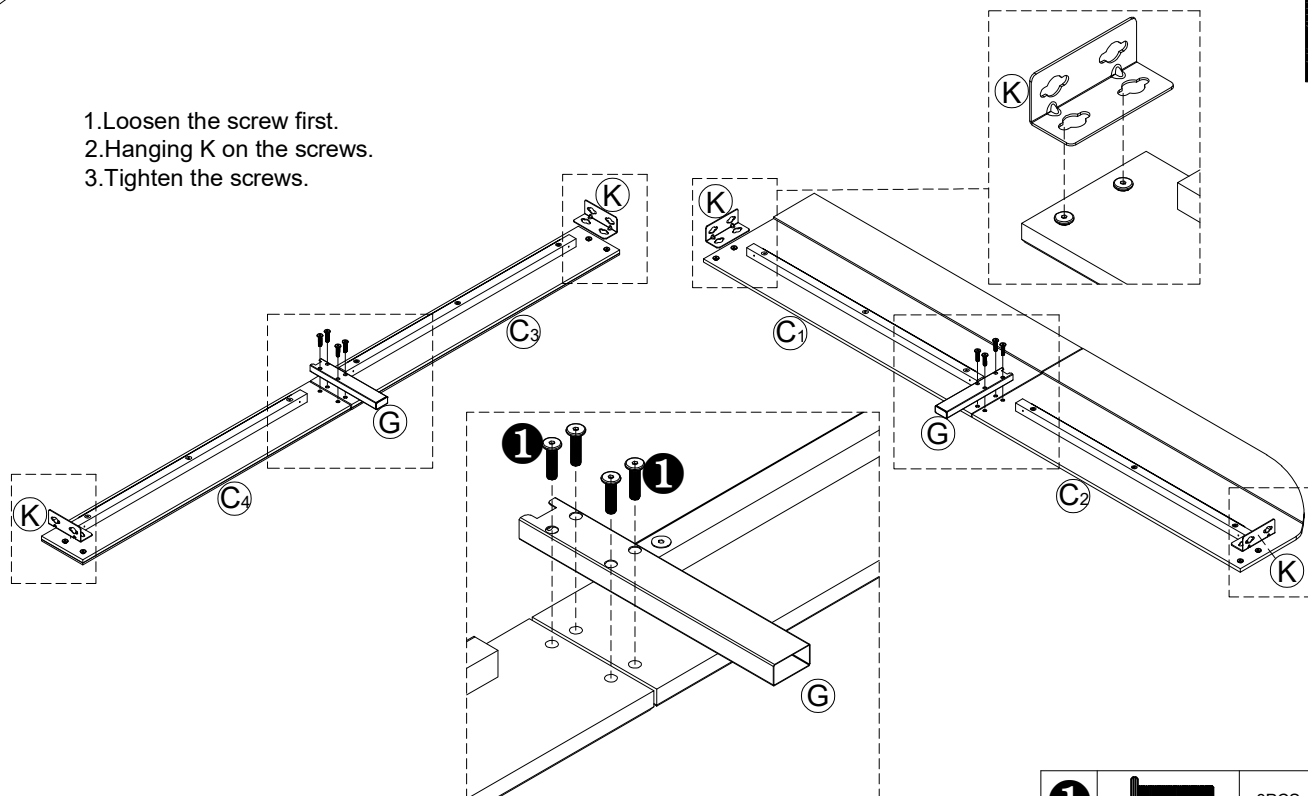


3



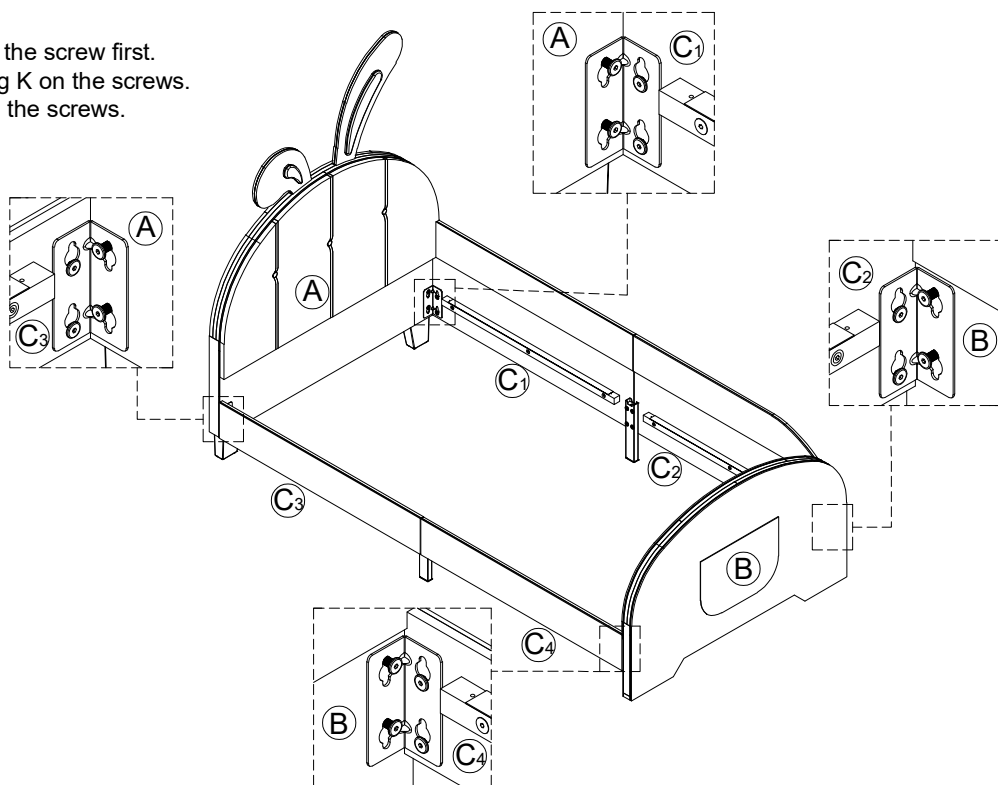
4

1. Loosen the screw first.
2. Hanging K on the screws.
3. Tighten the screws.

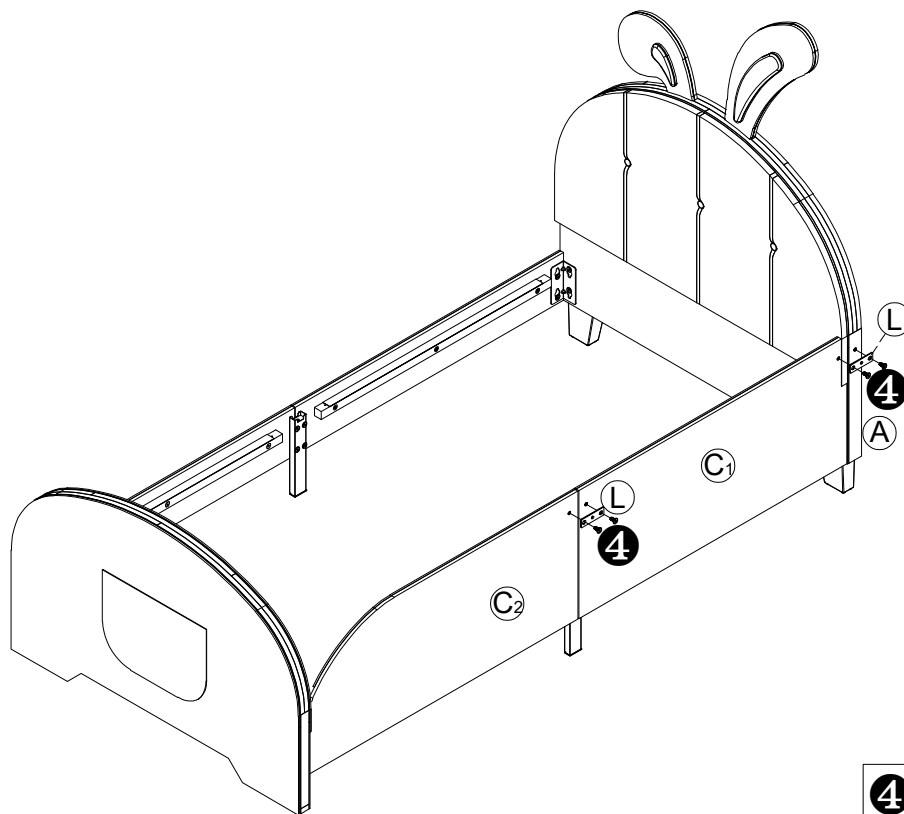



5

1. Loosen the screw first.
2. Hanging K on the screws.
3. Tighten the screws.

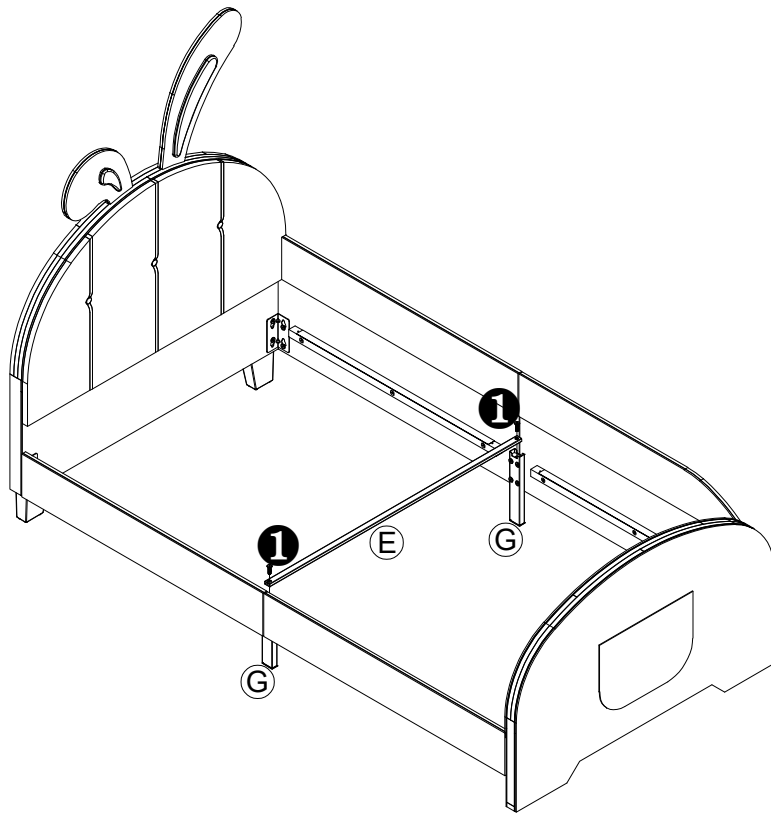



6



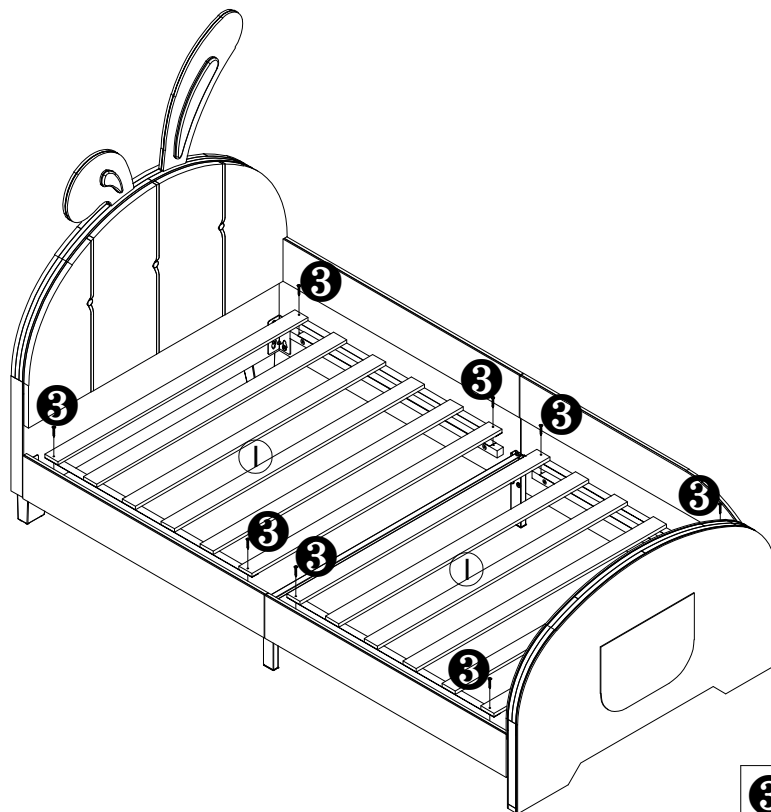
4	 M8*15	4PCS
----------	--	------

7



1		2PCS
	M8*30	

8



3		8PCS
	M5*35	

Finish

