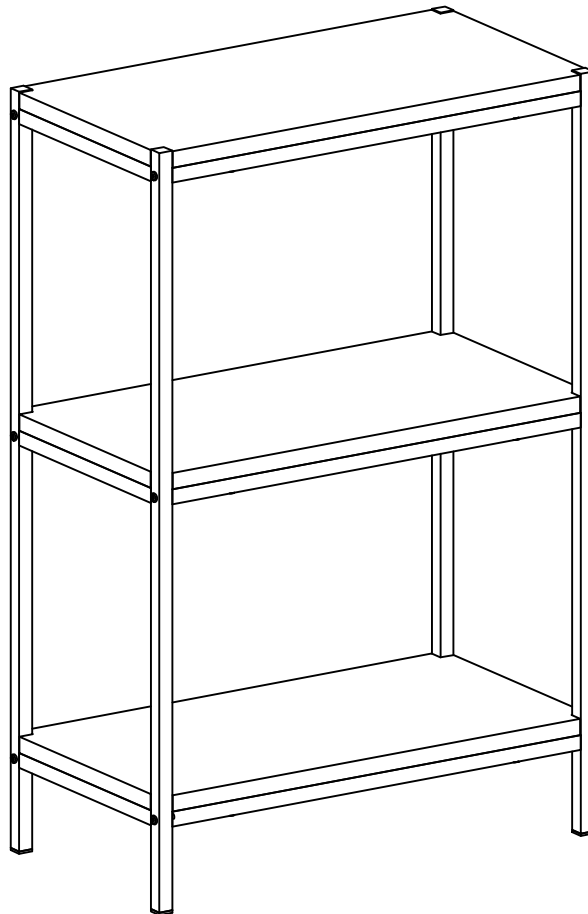


# **3-SHELF BOOKCASE**

---



## **ASSEMBLY INSTRUCTIONS**

Date of mfg. \_\_\_\_\_

# Table of Contents

Part Identification	2
Hardware Identification	3
Assembly Steps	4-7
Safety	8-10
Warranty	11

## Assembly Tools Required



No. 2 Phillips Screwdriver  
Tip Shown Actual Size

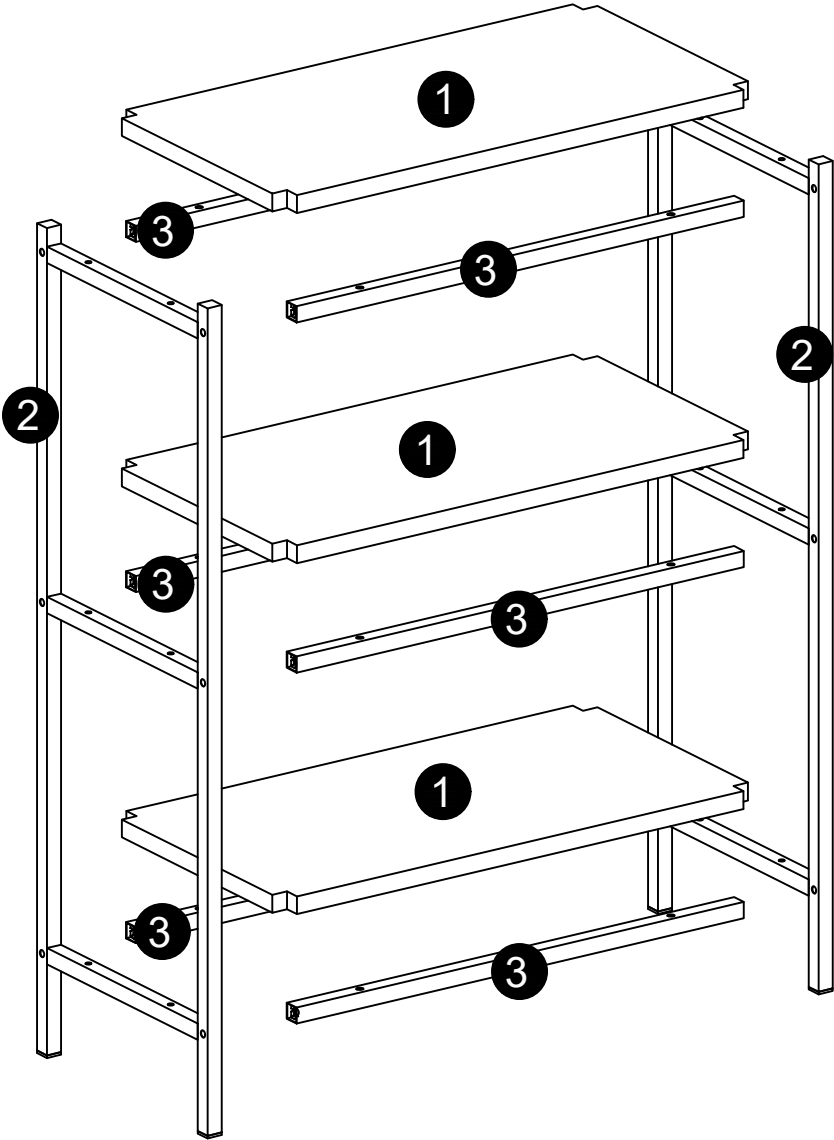


DO NOT USE

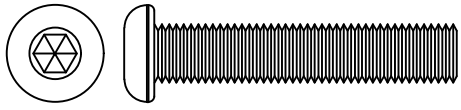
Skip the power trip.  
This time.

# Part Identification

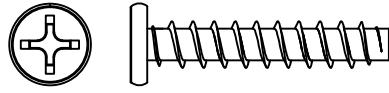
- 1. TOP/SHELF/BOTTOM (3)
- 2. LEFT/RIGHT END (2)
- 3. TOP/SHELF/BOTTOM MOLDING (6)



# Hardware Identification



**A.** 1-9/16" MACHINE SCREW - 12+1

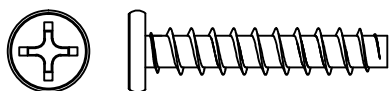


**B.** 1-1/4" LARGE HEAD SCREW - 24+1

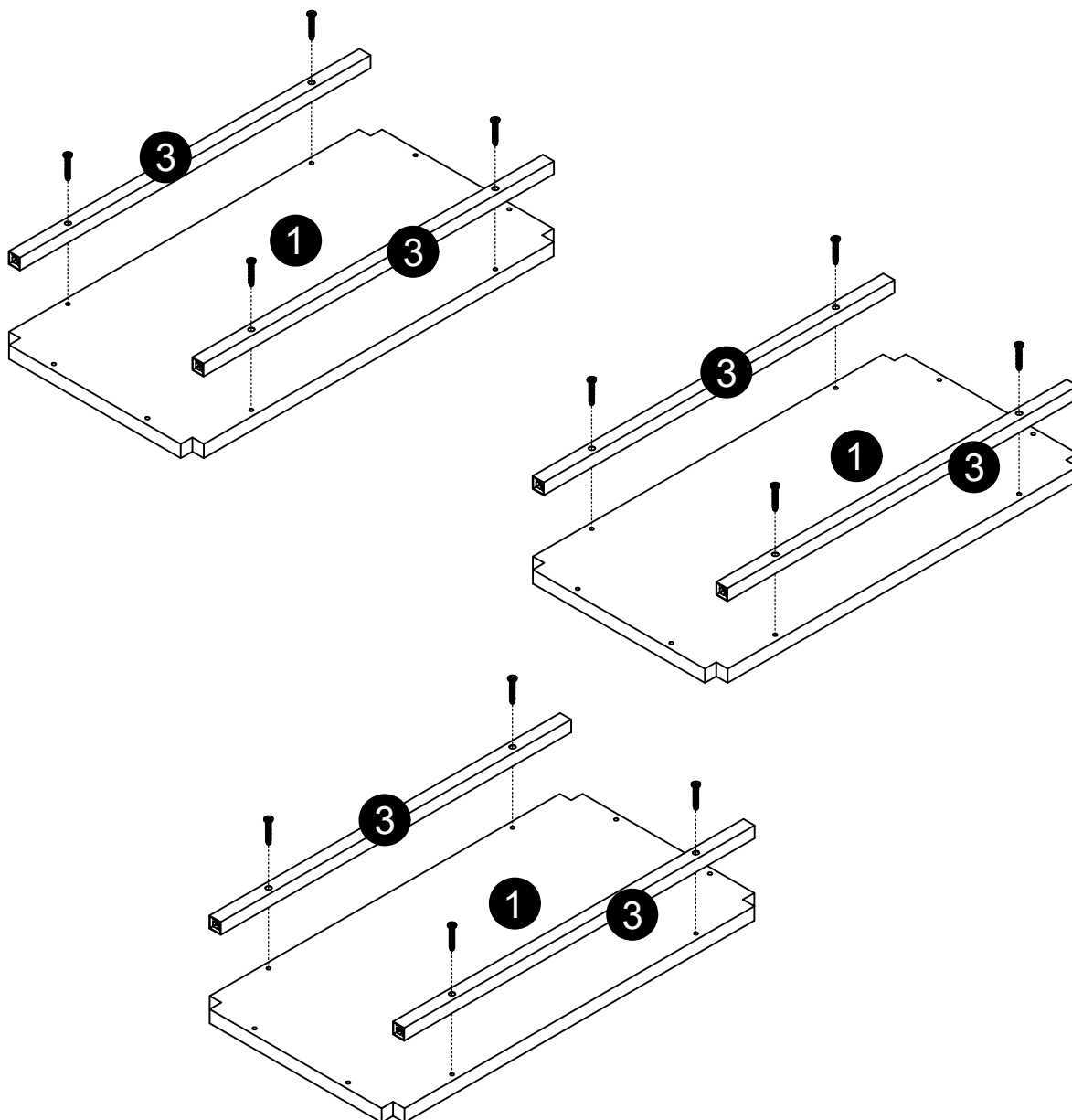


**C.** WRENCH - 1

# STEP 1

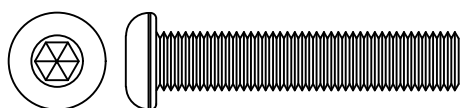


**B.1-1/4" LARGE HEAD SCREW - 12**



# STEP 2

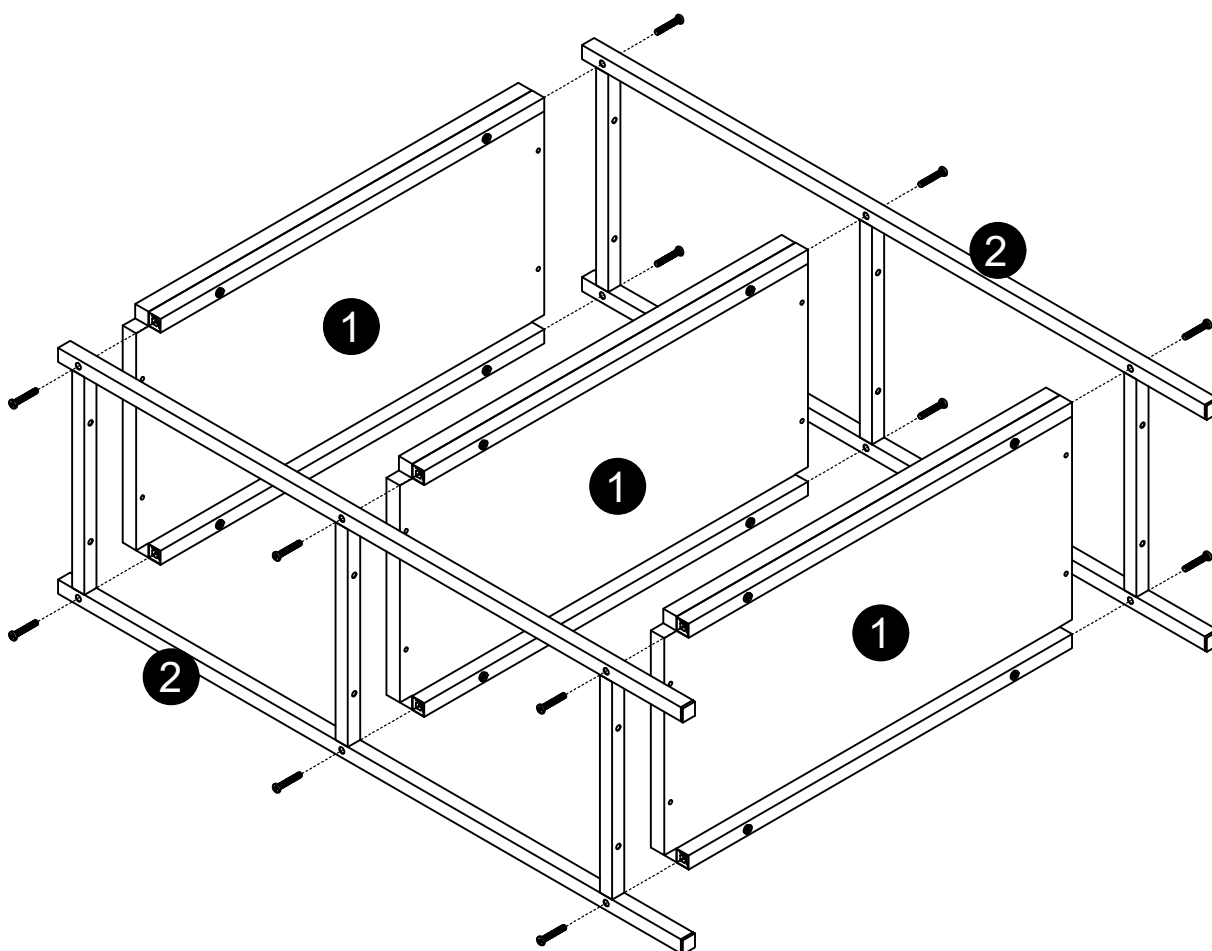
Before tighten all the screws , be sure check whether the hole is consistent with the corresponding position on the manual.



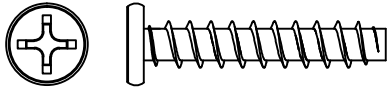
**A.**1-9/16" MACHINE SCREW - 12



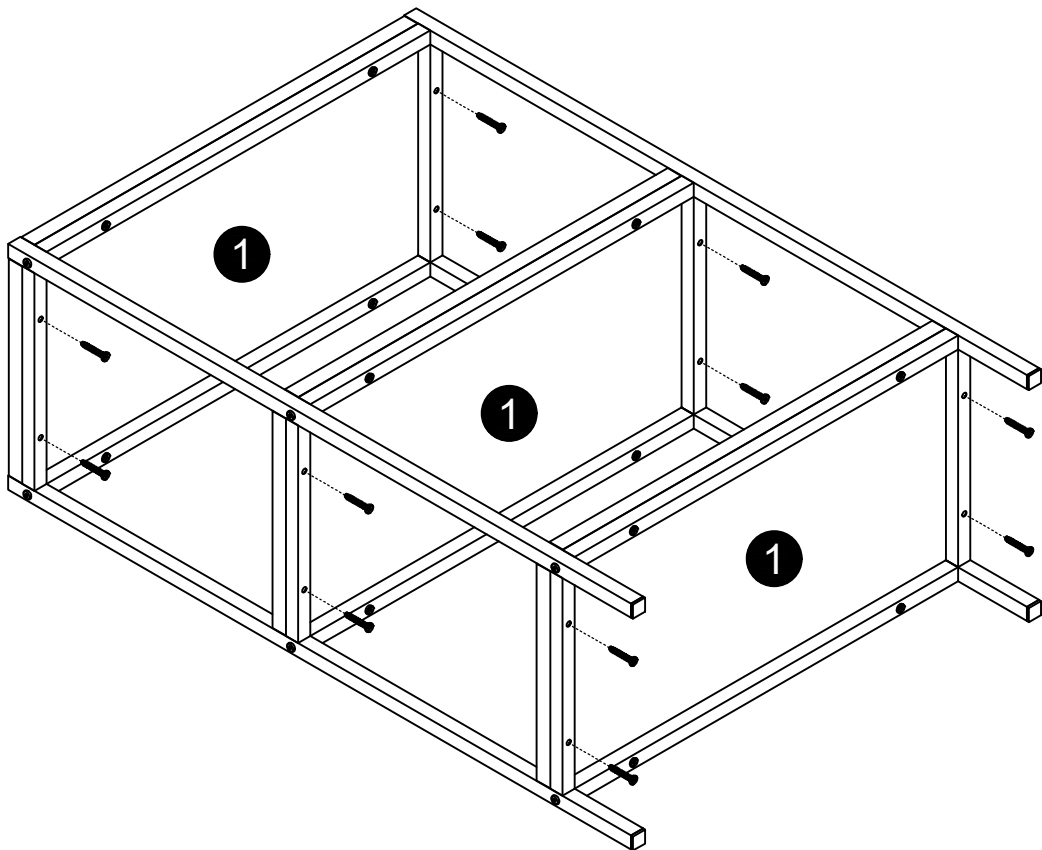
**C.**WRENCH - 1



# STEP 3



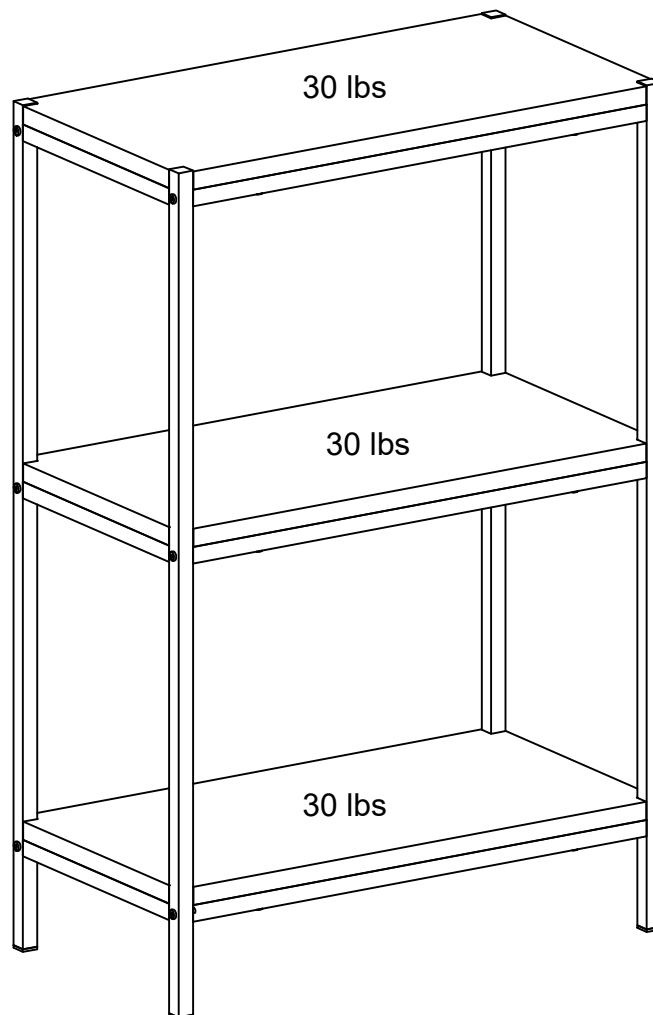
**B.1-1/4" LARGE HEAD SCREW - 12**



# STEP 4

NOTE: Please read the back pages of the instruction booklet for important safety information.

This completes assembly. Clean with your favorite furniture polish or a damp cloth. Wipe dry.





## Warning

Please use your furniture correctly and safely. Improper use can cause safety hazards, or damage to your furniture or household items. Carefully read the following chart.

Look out for:	What can happen:	How to avoid the problema:
<ul style="list-style-type: none"><li>•Overloaded shelves and drawers.</li><li>•Improperly loading can cause the product to be top-heavy.</li></ul>	<ul style="list-style-type: none"><li>•Risk of injury.</li><li>•Top-heavy furniture can tip over.</li><li>•Overloaded shelves and drawers can break.</li></ul>	<ul style="list-style-type: none"><li>•Never exceed the weight limits shown in the instructions.</li></ul> <p>Work from bottom to top when loading shelves and drawers. Place the heavier items on the lower shelves or in lower drawers.</p>
<ul style="list-style-type: none"><li>•Improperly moving furniture that is not designed and equipped with casters.</li></ul>	<ul style="list-style-type: none"><li>•Furniture can tip over or break if improperly moved.</li><li>•Physical Injury. Furniture can be very heavy.</li><li>•Breakage of tops- particularly with double pedestal furniture (drawers at both ends).</li></ul>	<ul style="list-style-type: none"><li>•Unload shelves and drawers from top to bottom before moving the unit.</li><li>•Do not push furniture, especially on a carpeted floor. Have a friend help you lift the item and set it in place.</li></ul>
<ul style="list-style-type: none"><li>•Placing TVs on furniture items that are not designed to support a television is hazardous.</li></ul>	<ul style="list-style-type: none"><li>•Risk of injury or death. TVs can be very heavy.</li><li>•Plus the weight and location of the picture tube tends to make TVs unbalanced and prone to tipping forward.</li></ul>	<ul style="list-style-type: none"><li>• Provide support to the center section of the top when lifting the furniture.</li><li>• This product is not designed to support a television.</li></ul>

## 1-YEAR LIMITED WARRANTY

1. Provides limited warranty coverage to the original purchaser of this product for a period of one year from the date of purchase against defects in materials or workmanship of components.

As used in this Warranty, "defect" means imperfections in components which substantially impair the utility of the product. This Warranty gives you specific legal rights, and you may also have other rights which vary from state to state.

2. There is no warranty coverage for defects or conditions that result from the **failure** to follow product assembly instructions, information or warnings, misuse **Or** abuse, intentional damage, fire, flood, alteration or modification of the product, or use of the product in a manner inconsistent with its intended use, nor any condition resulting from incorrect or inadequate maintenance, cleaning, or care. There is also no warranty coverage for rented products or any products purchased "used" or "as is", at a distress or going-out-of-business sale, or from a liquidator.

3. As the exclusive remedy under this Warranty, we (at our sole option) will repair or replace any defective furniture component. We may require independent confirmation of the claimed defect and proof of purchase. Replacement parts will be warranted for only the remaining period of the original Warranty. **SHALL HAVE NO LIABILITY for ANY INCIDENTAL OR CONSEQUENTIAL DAMAGES OF ANY KIND** and all such damages are **EXCLUDED FROM THIS WARRANTY**, such as loss of use, disassembly, transportation, labor or damage to property on or near the product. Some states do not allow the exclusion or limitation of incidental or consequential damages, so the above limitation or exclusion may not apply to you.

4. This Warranty applies only to warranted defects that first arise and are reported to within the warranty coverage period. The Warranty cannot be transferred to subsequent owners or users of the product, and it shall be immediately void in the event the product is resold, transferred, leased or rented to any third party or person other than the original purchaser.

**5. THERE ARE NO OTHER WARRANTIES APPLICABLE TO THIS PRODUCT.** Under the laws of certain states, there may be no implied warranties from and all implied warranties, **INCLUDING ANY IMPLIED WARRANTY OF MERCHANTABILITY OR FITNESS FOR A PARTICULAR PURPOSE** are disclaimed where allowed by law. **TO THE EXTENT ANY IMPLIED WARRANTIES ARE APPLICABLE, ANY IMPLIED WARRANTIES, INCLUDING ANY IMPLIED WARRANTY OF MERCHANTABILITY OR FITNESS FOR A PARTICULAR PURPOSE, ARE LIMITED IN DURATION TO THE DURATION OF THIS EXPRESS WARRANTY** or the minimum period allowed by law, whichever is shorter. Some states do not allow limitations on how long an implied Warranty lasts, so the above limitation may not apply to you.