
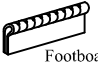














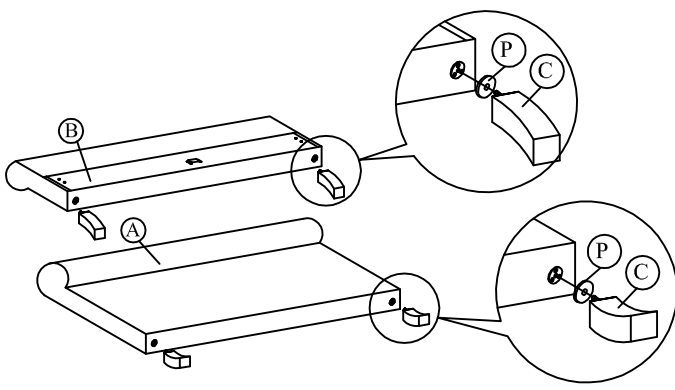


MODEL:		
(BOX 1) 5103-Q-FB BOX OF HEADBOARD		
A		1 pc
(BOX 2) 5103-Q-FB BOX OF FOOTBOARD		
B		1 pc
C		4 pcs
D		3 pcs
E		28 pcs
F		14 pcs
G		28 pcs
H		1 pc
(BOX 3) 5103-KO-RAIL BOX OF SIDE RAIL		
I		2 pcs
J		1 pc
(BOX 2) 5103-Q-FB Hardware List		
K		3 pcs
L		1 pc
M		2 pcs
N		3 pcs
O		8 pcs
P		4 pcs

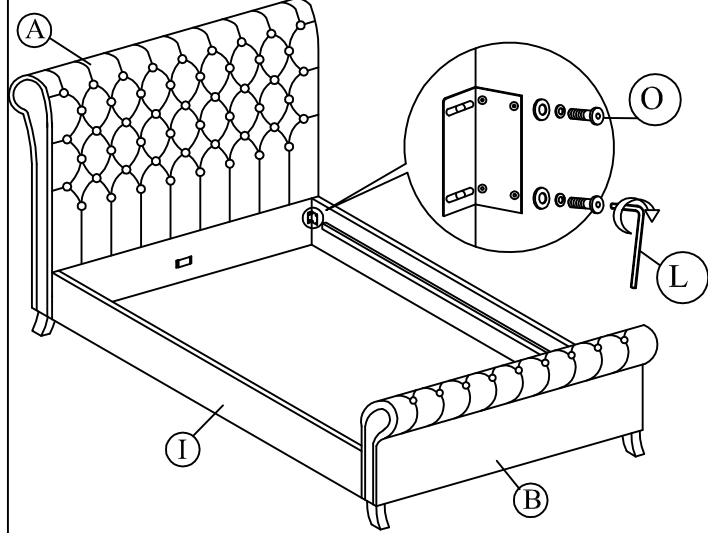
ASSEMBLY INSTRUCTION

Step 1: Tighten the legs (C) to both headboard (A) and footboard (B) as shown.

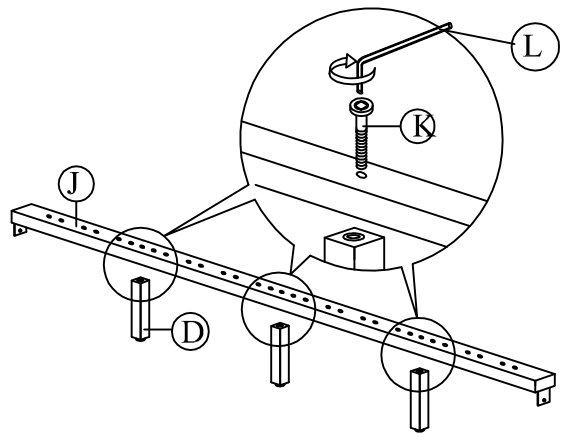


BACK VIEW

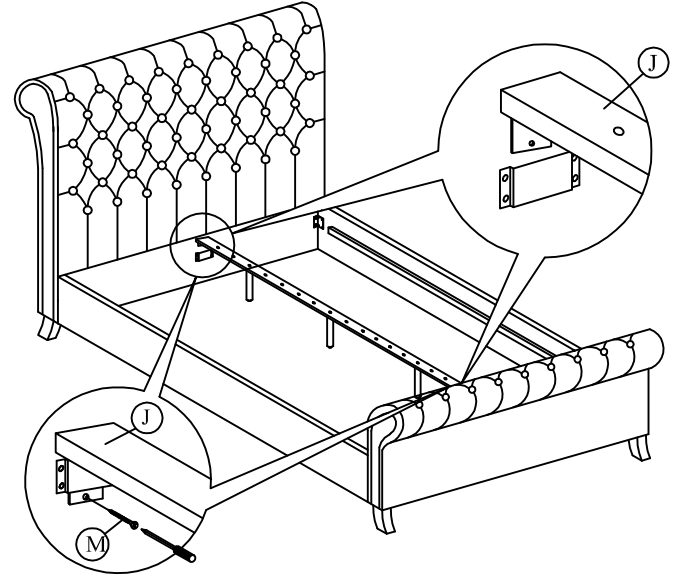
Step 2: Attach side rail to headboard and footboard and tighten the screws, spring washers & flat washers to the headboard and footboard.



Step 3: Attach the support legs (D) to the center rail (J) of the bed as shown.



Step 4: Slide the center rail (J) to the headboard (A) and footboard (B). Tighten screws (M) using screw driver (not included) to the headboard (A) and footboard (B).



Step 5: Affix the Stiffener Slat (H) to the side rail support wood and the center rail (J). Assembly of the slat holders with LVL slats as shown.

