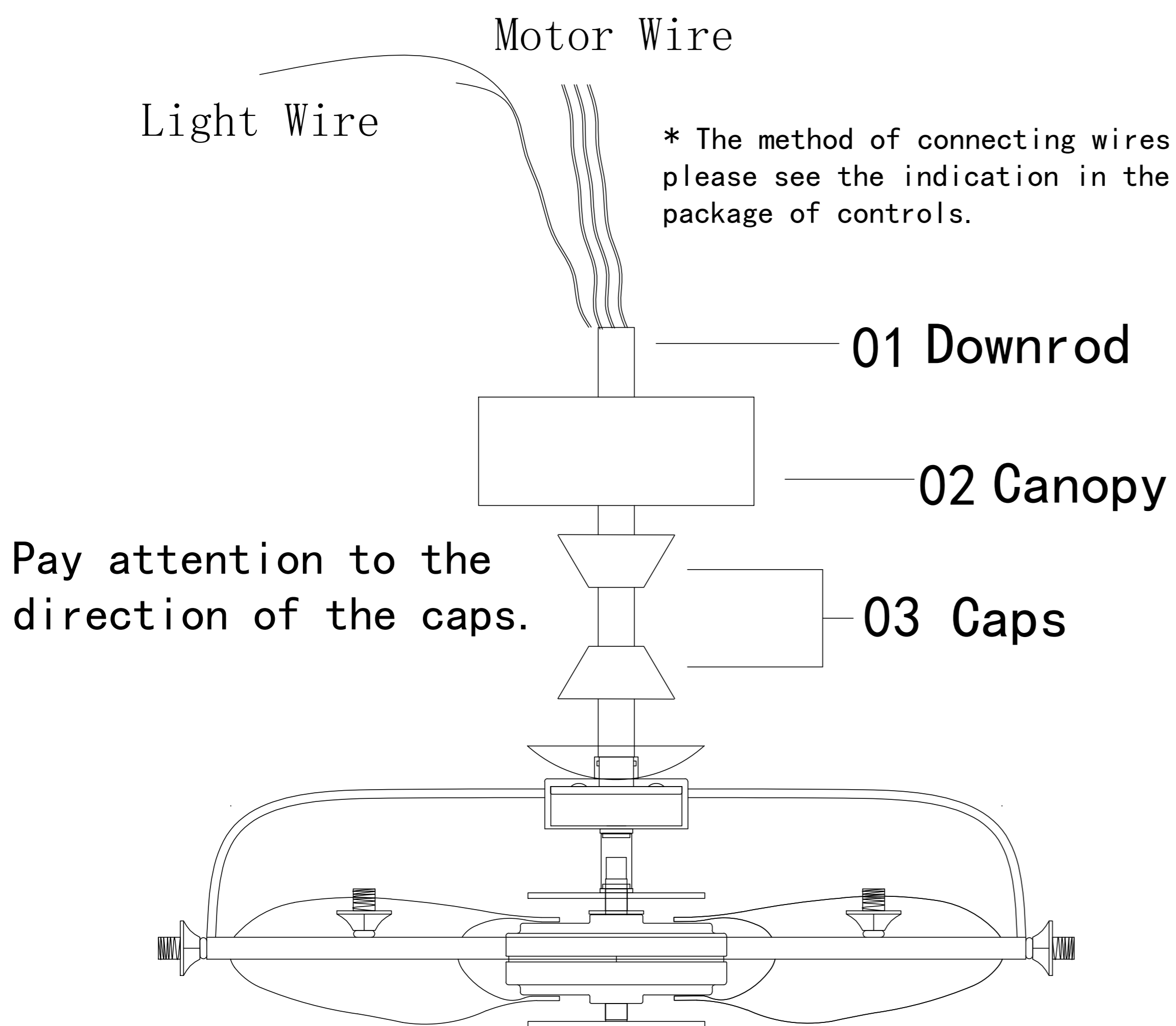


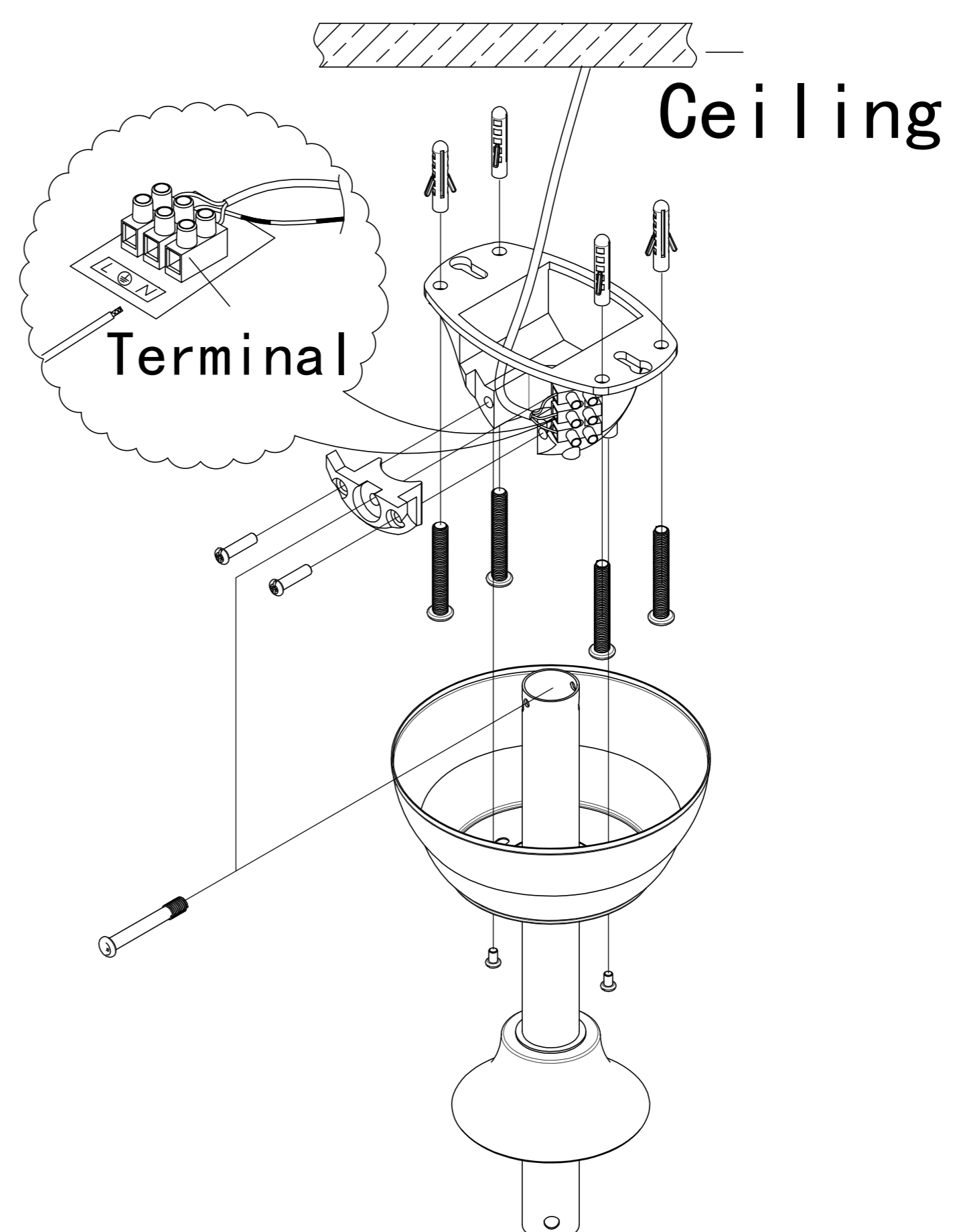
Installation Instruction

Part 1: Downrod Assembly

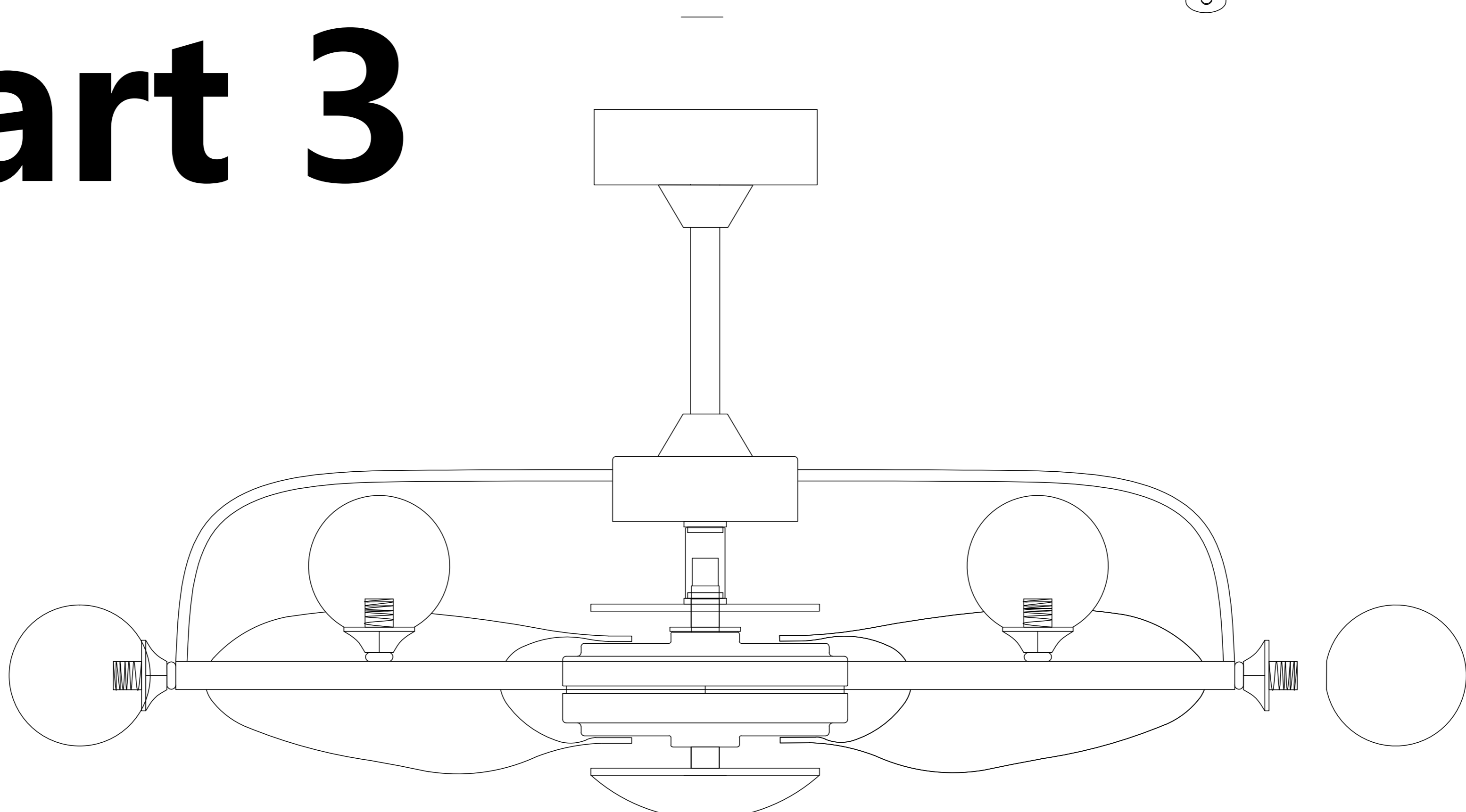
1. Choose the suitable downrod based on the height of your room.
2. Lock the pin and fix the downrod, then fix the screws.
3. Assemble the parts according to the drawing.



Part 2: Fix the hanging plate on the position where the lamp needs to be hung.



Part 3



Assemble the lamp shades and bulbs after the lamp has been installed.

Bulb Base: G9 Maximum Wattage (per bulb): 60W