

# Assembly Instruction

---

## Outdoor Sofa

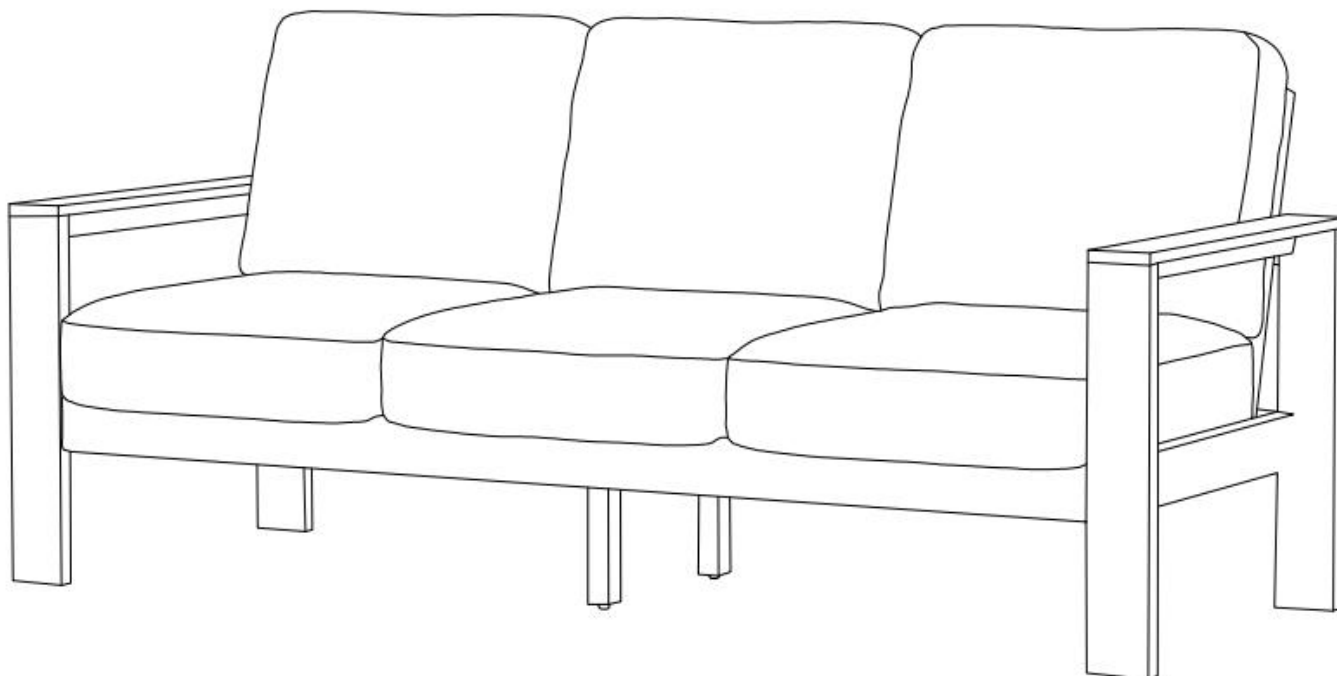
Your furniture requires assembly prior to use. It is important that you read the entire assembly instructions to become familiar with the unit before you set up this product.

### **Safety Warning and Precautions**

**WARNING:** When setting up your furniture, basic precautions should always be followed to reduce risk of personal injury and damage to the product.

Read all instructions before assembly and usage this product.








1. Select ideal location. Set out all parts on a clear and level surface prior to assembly. Ideally, the furniture should be set up in the desired location to avoid moving it after assembly.
2. Use caution. During all the processes of assembling, especially when lifting heavy or large parts, pay attention to safety.
3. Tools and Assistance. An adjustable spanner is required for assembly. It is recommended 2 people assist with assembly.
4. Check all parts before assembling, ensure you have all parts detailed in the parts list on Page 2.
5. Refer to assembly diagram. During assembly, refer to the assembly instructions on following pages.
6. Caution. Keep children away from work area during assembly. Do not allow children to handle parts or tools while assembling.

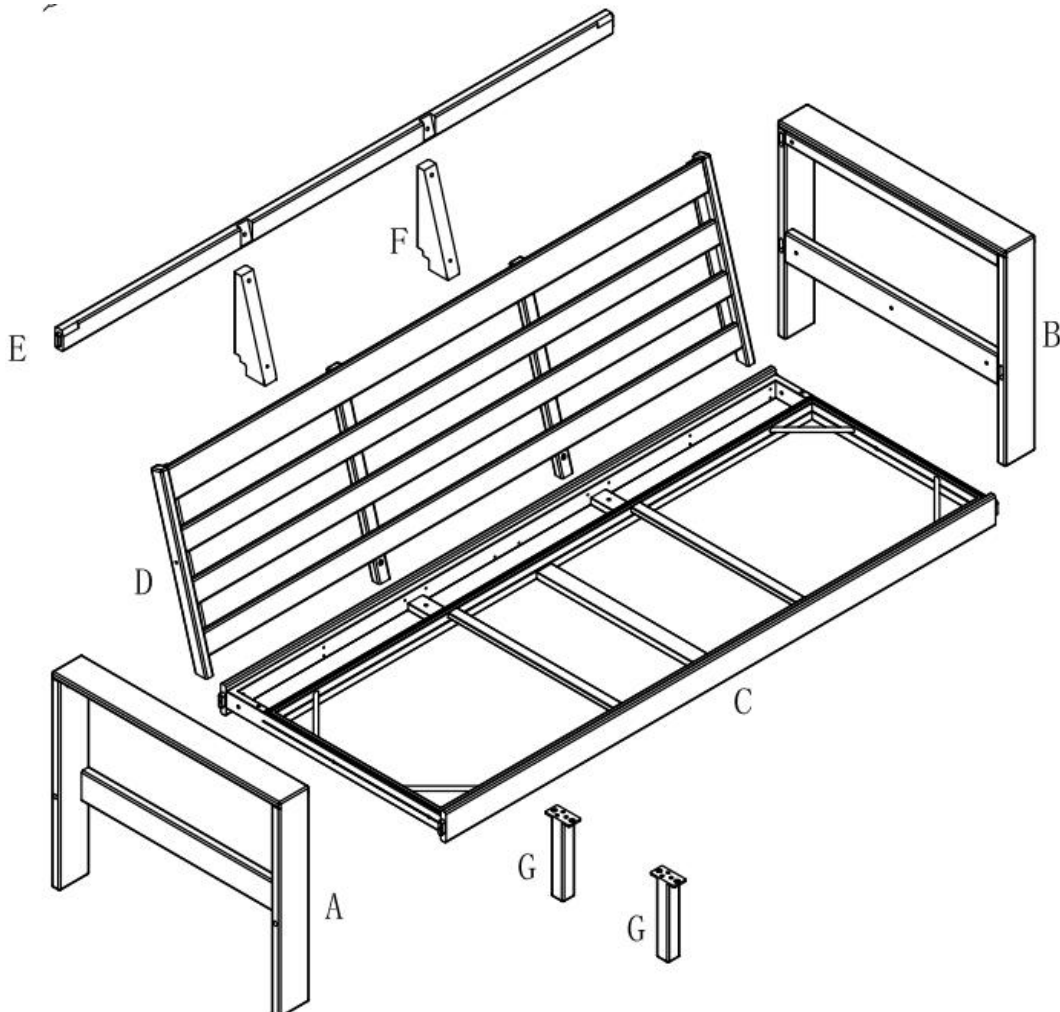
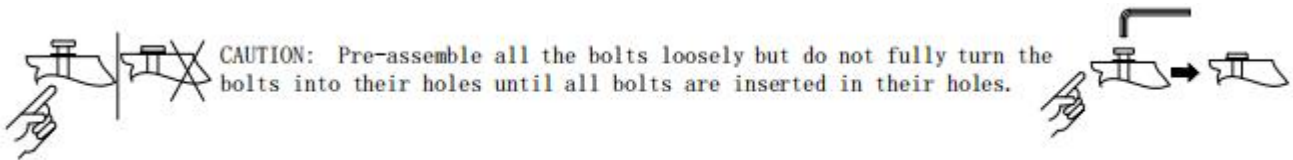


# Assembly Instruction

## Outdoor Sofa

### FITTINGS IDENTIFICATION

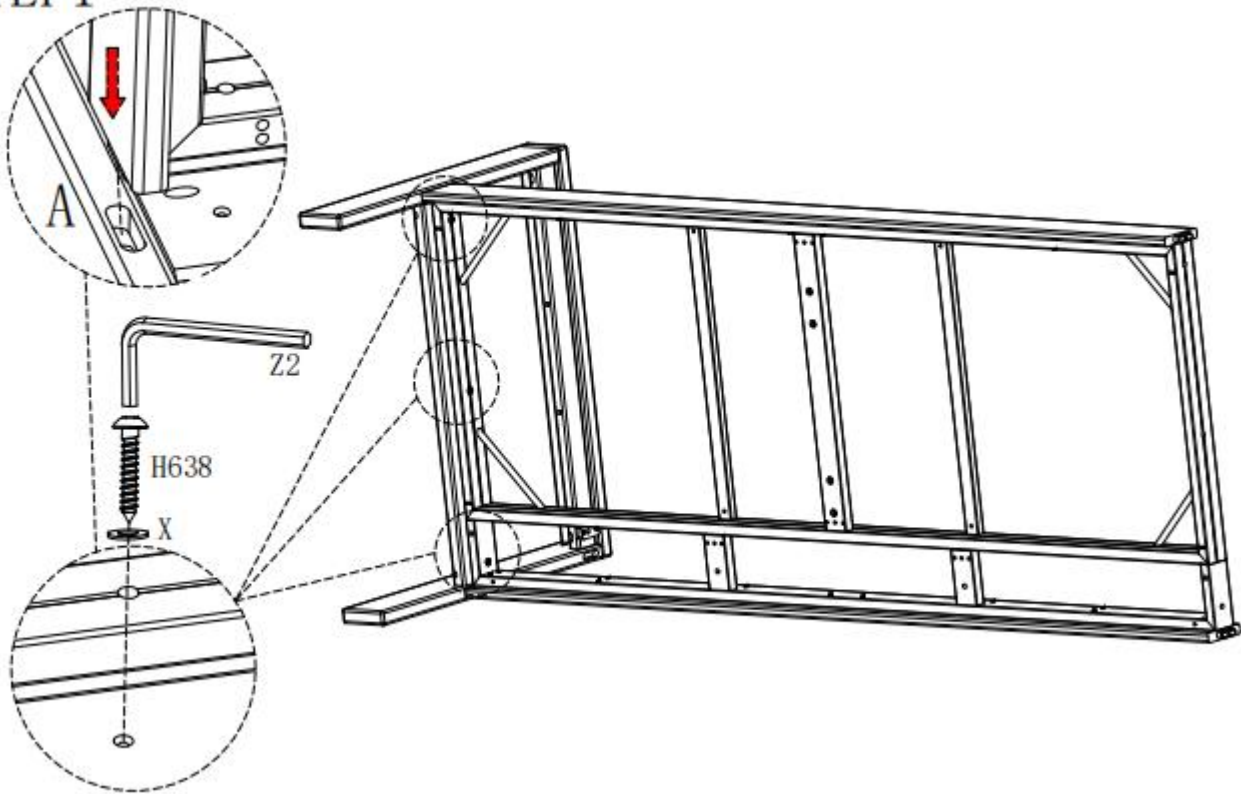
Part #	H638	H649	H685	H620	X	Z1	Z2
Description:	Screw M6*38	Screw M6*49	Screw M6*85	Screw M6*20	Gasket	Allen Wrench	Allen Wrench
Figure:	 M6*38	 M6*49	 M6*85	 M6*20	 $\Phi 16 * \Phi 6.5 * 1$	 M4	 M5
Qty:	12PCS	4PCS	6PCS	4PCS	14PCS	1PCS	1PCS



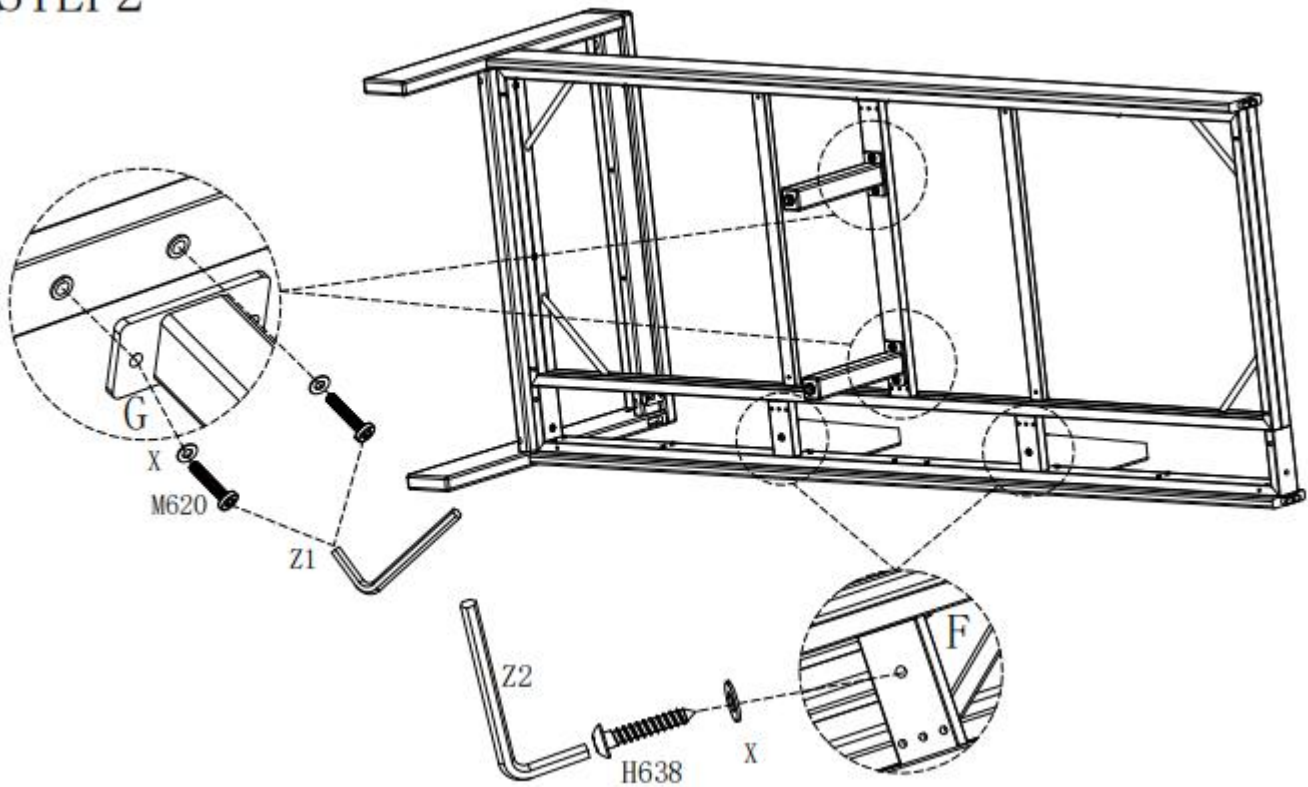
# Assembly Instruction

## Outdoor Sofa

### STEP 1



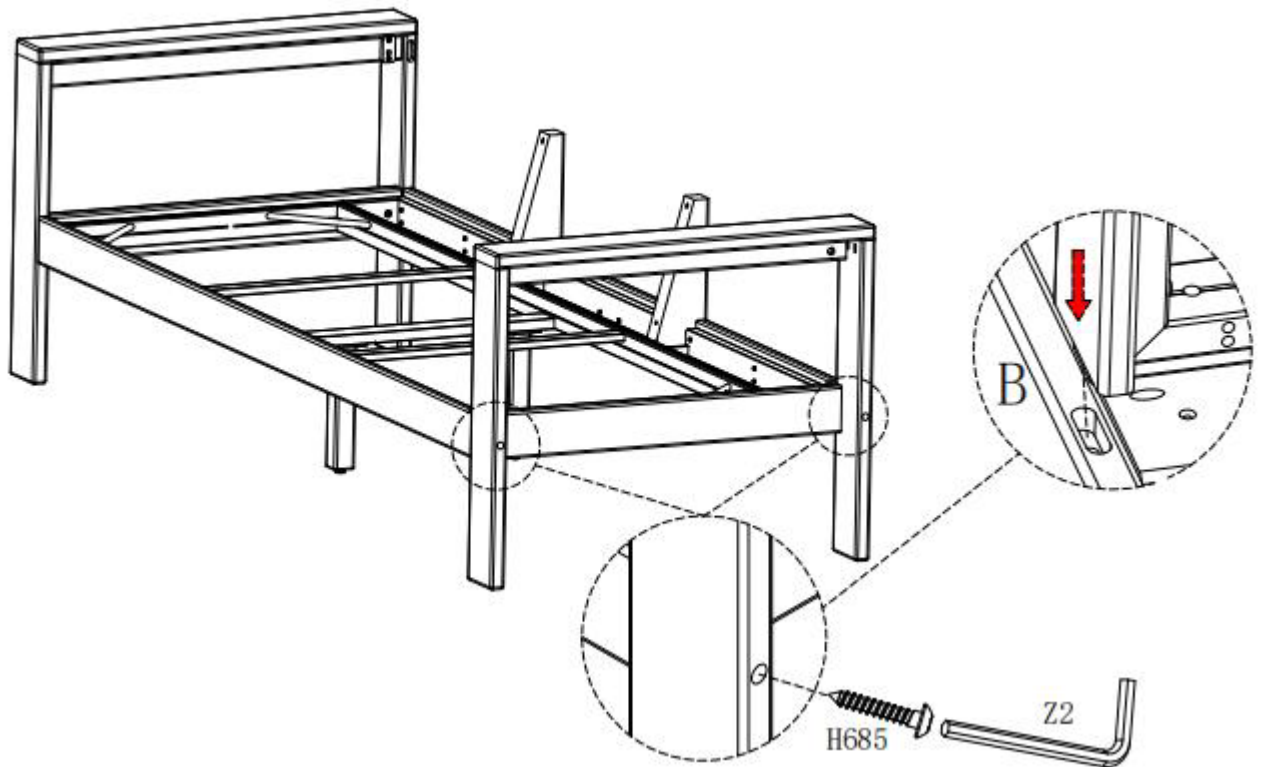
### STEP 2



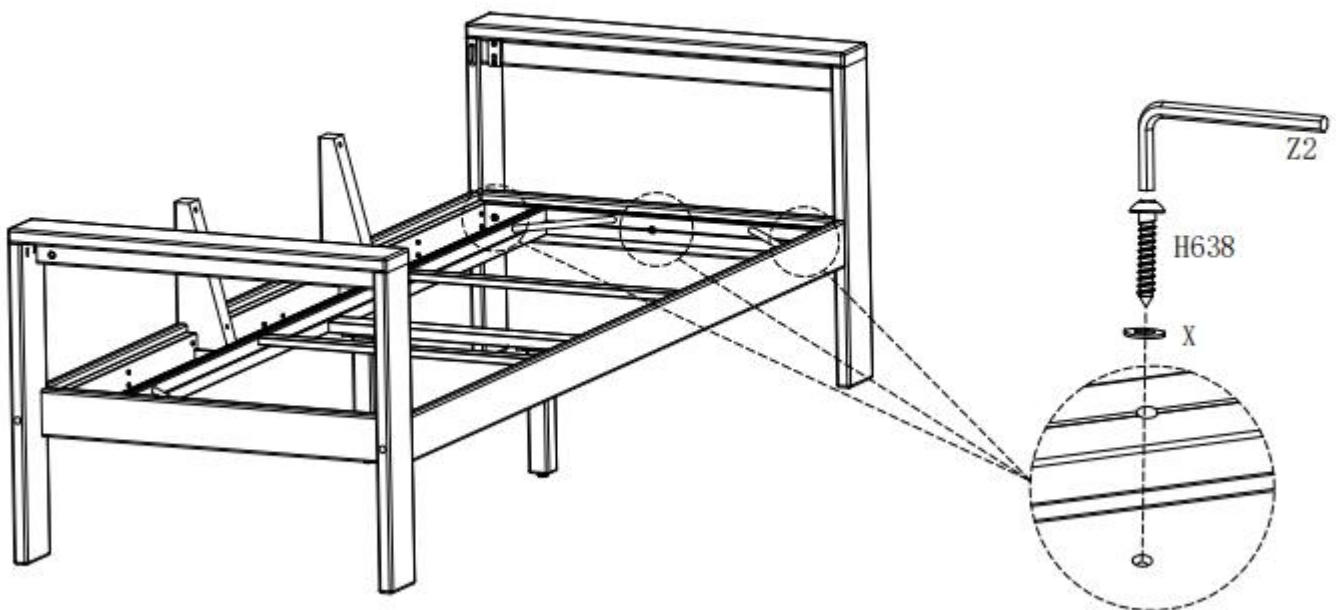
# Assembly Instruction

## Outdoor Sofa

### STEP3



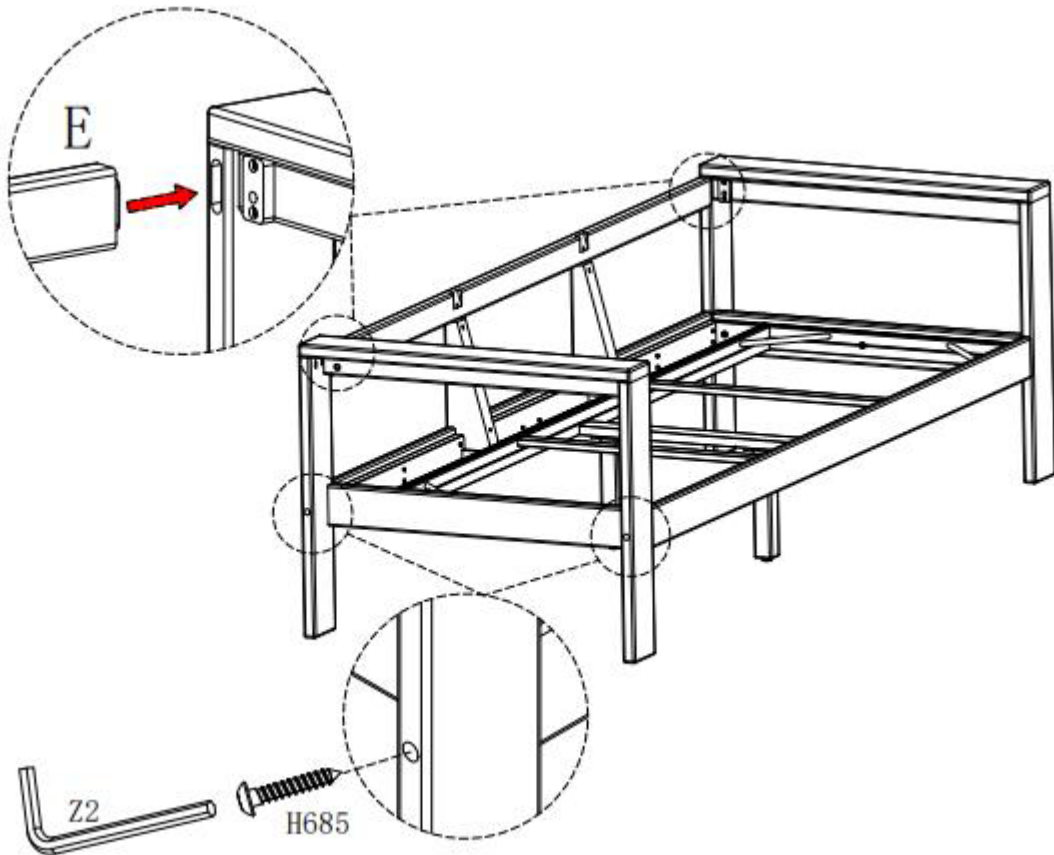
### STEP4



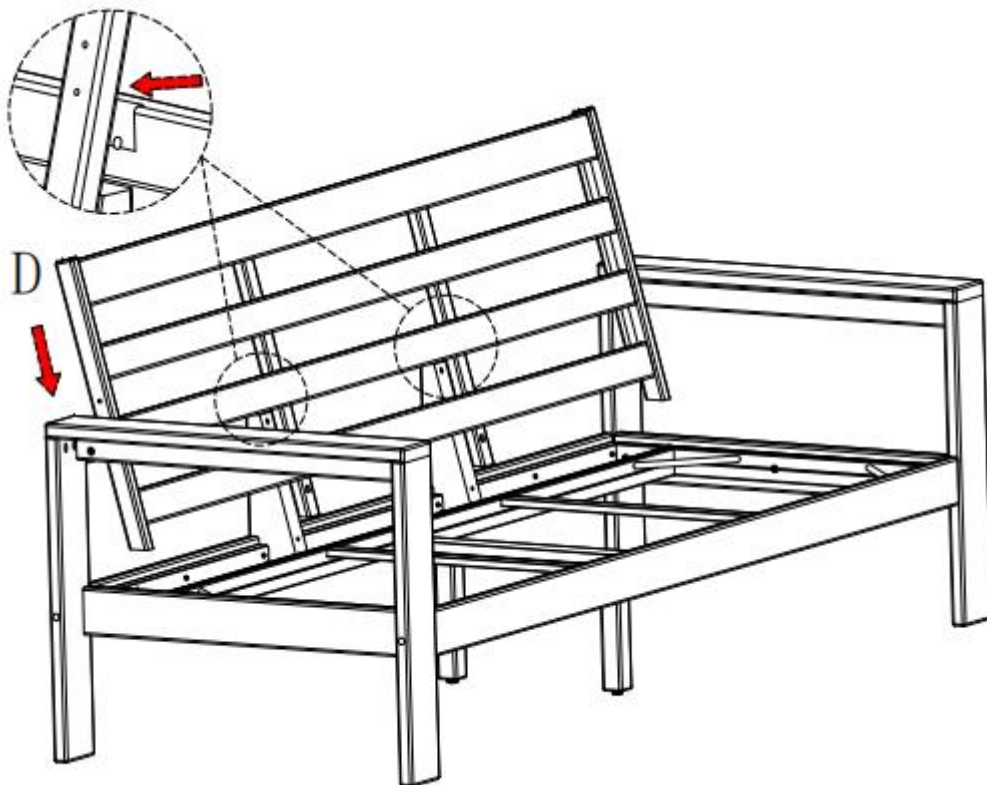
# Assembly Instruction

## Outdoor Sofa

STEP5



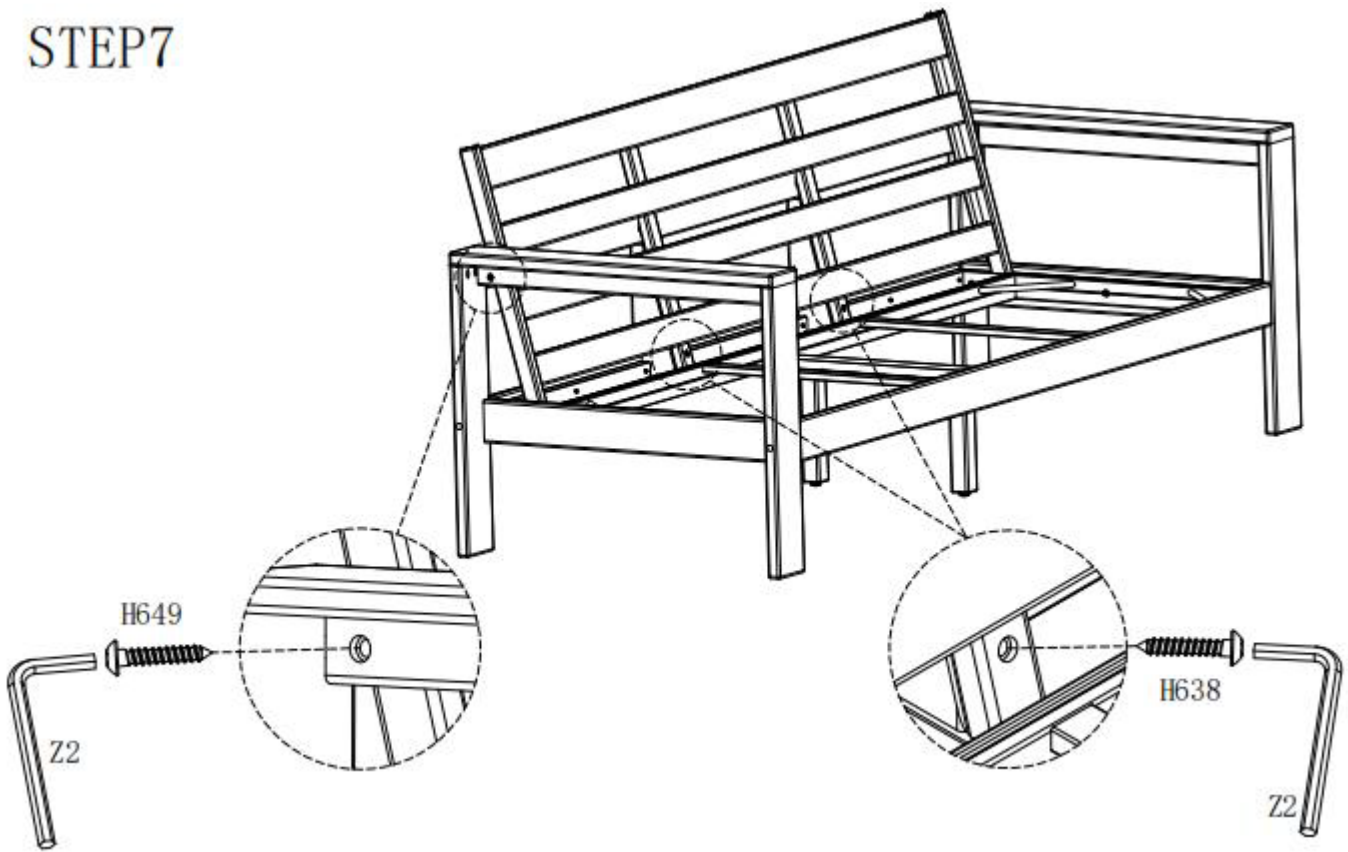
STEP6



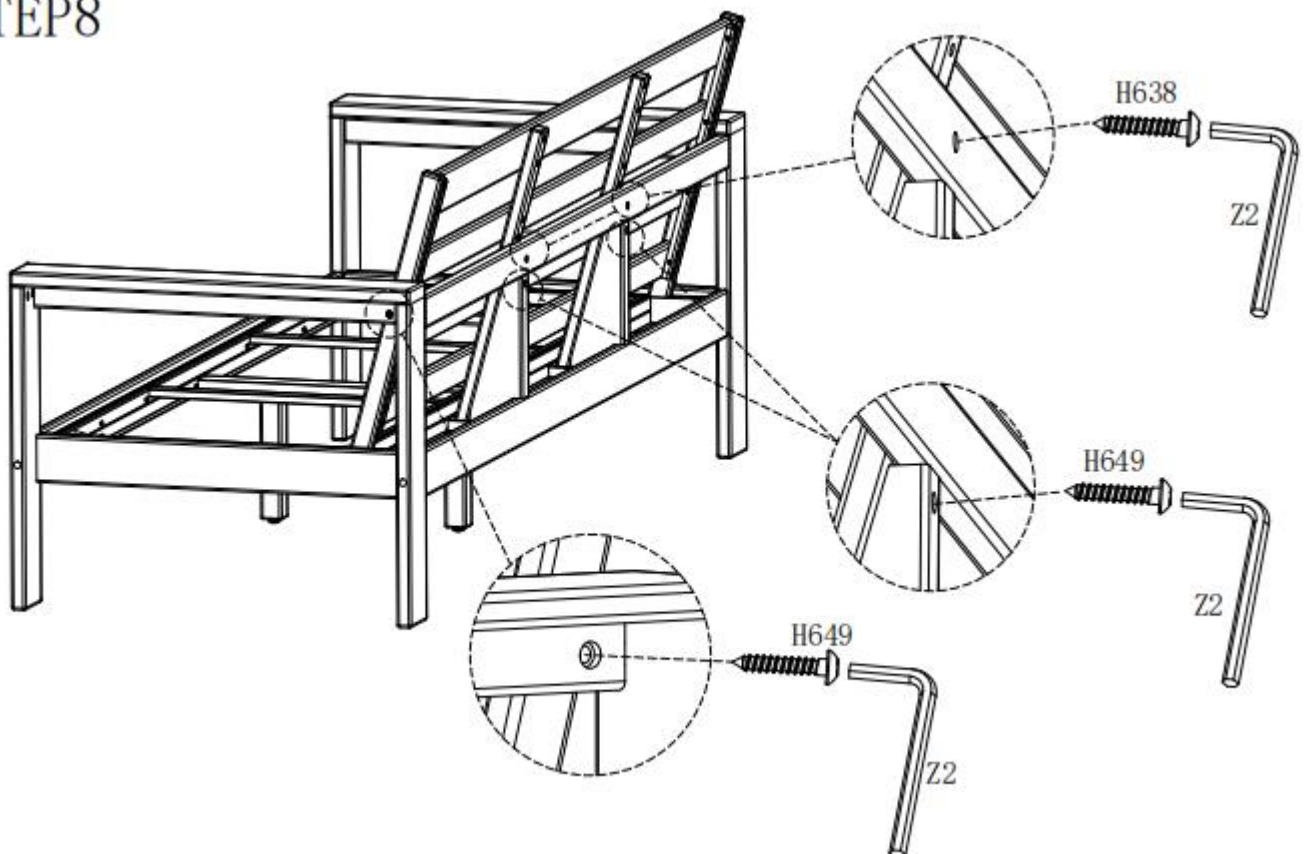
# Assembly Instruction

## Outdoor Sofa

STEP 7



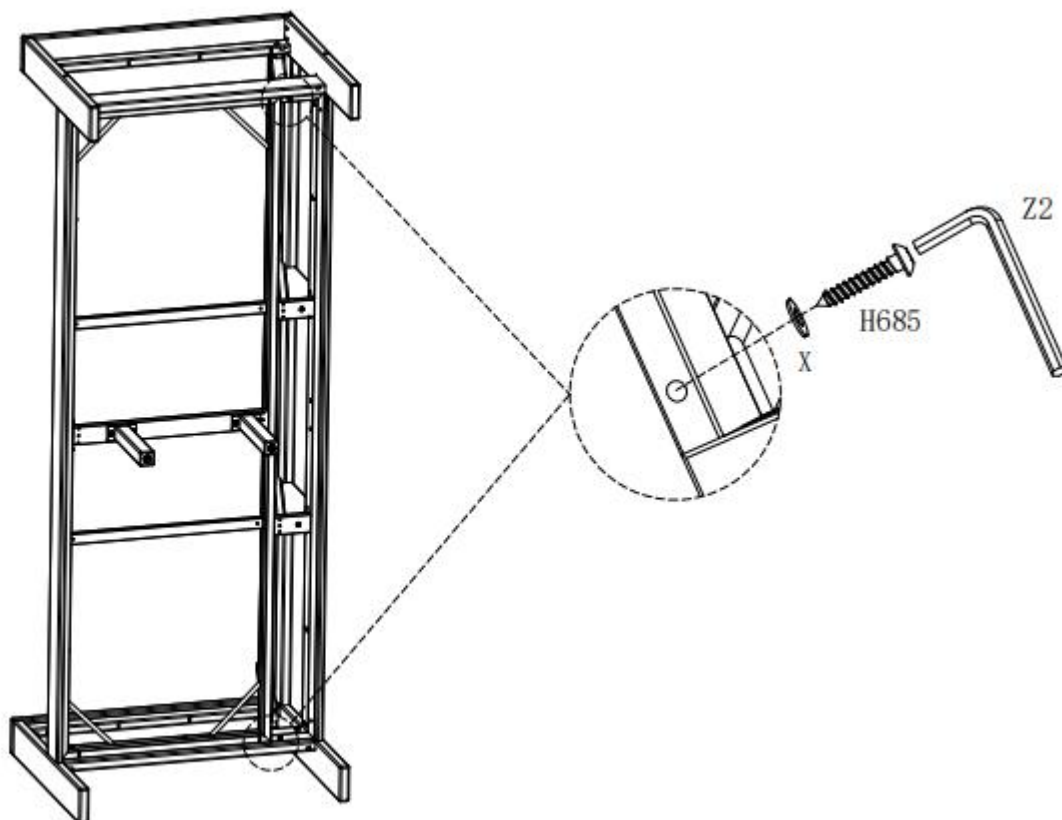
STEP 8



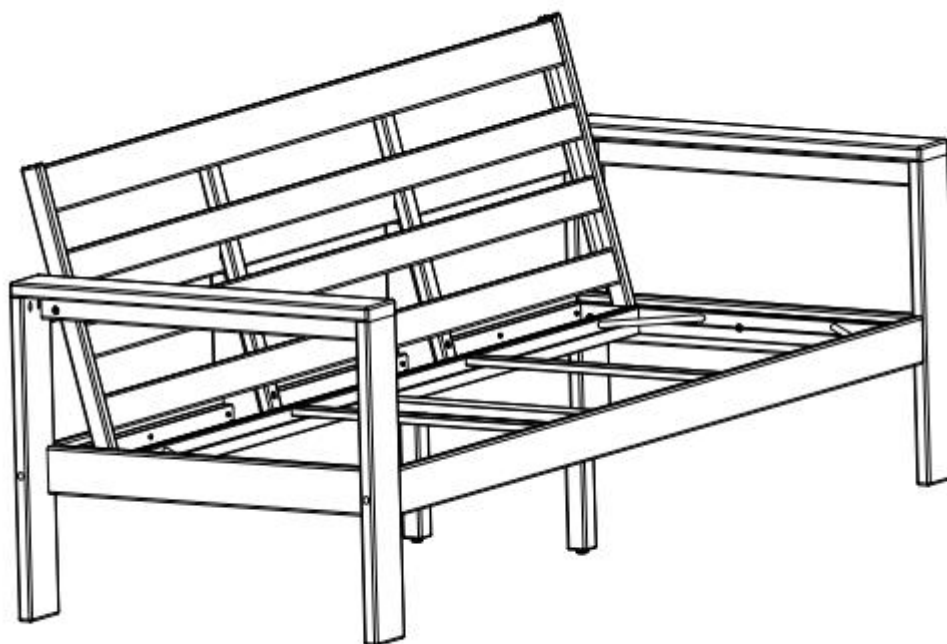
# Assembly Instruction

## Outdoor Sofa

STEP9



STEP10



# Assembly Instruction

---

## Outdoor Sofa

### Steps:

1. Attach the Left Armrest frame (Part A) to the Seat Panel(Part C) with Screws M6\*38 (Part H638) and Gasket (Part X) by using Allen Wrench (Part Z2).
2. Attach the Sofa Middle leg(Part G) to Seat Panel ( Part C) with Screws M6\*20 (Part H620) and Gasket (Part X) by using Allen Wrench (Part Z1). Then Attache the Part F to the Part C with Screw M6\*38(Part H638) and Gasket (Part X) by using Allen Wrench (Part Z2).
3. Attach the Right Armrest frame (Part B) to the Seat Panel(Part C) with Screws M6\*85(Part H685) by using Allen Wrench (Part Z2).
4. Fasten the Right armrest frame inside three holes with Screws M6\*38(Part H638) and Gasket (Part X) by using Allen Wrench (Part Z2).
5. Put the Part E into the Part A and Part B, then Fasten the Left armrest frame both side holes with Screws M6\*85(Part H685) by using Allen Wrench (Part Z2).
6. Put the Part D into the Part A , Part B & Part F.
7. Fasten the Part D and the Part E with Screws M6\*38 (Part H638 ) by using Allen Wrench (Part Z2). Then Fasten the Right armrest frame hole with Screws M6\*49 (Part H649 ) by using Allen Wrench (Part Z2).
8. Fasten the Part E and the Part D with Screws M6\*38 (Part H638 ) by using Allen Wrench (Part Z2),and then Fasten the Part F and the Part D with Screws M6\*49 (Part H649 ) by using Allen Wrench (Part Z2). In the end Fasten the Left armrest frame hole with Screws M6\*49 (Part H649 ) by using Allen Wrench (Part Z2).
9. Flip Sofa and Fasten the back panel and seat panel bottom holes with Screw M6\*85(Part H685) and Washer (Part X) by using Allen Wrench (Part Z).

Tighten all screws. Your sofa is ready to use. (Note: Pre-assemble all the bolts loosely but do not fully turn the bolts into their holes until all bolts are inserted in their holes.)

Periodically check and make sure that all screws are fully tightened.