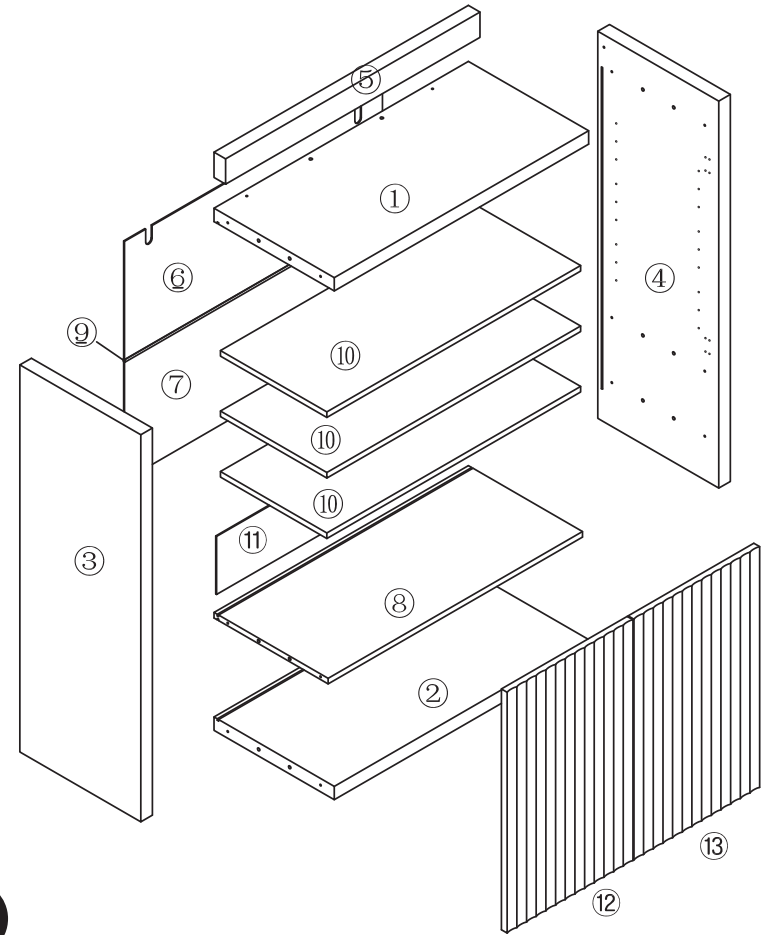


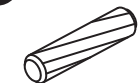

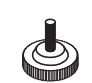
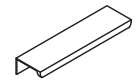

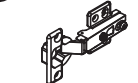



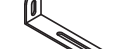






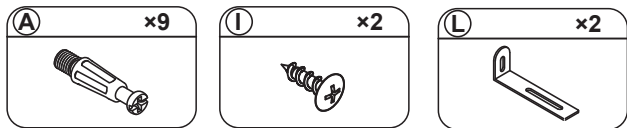
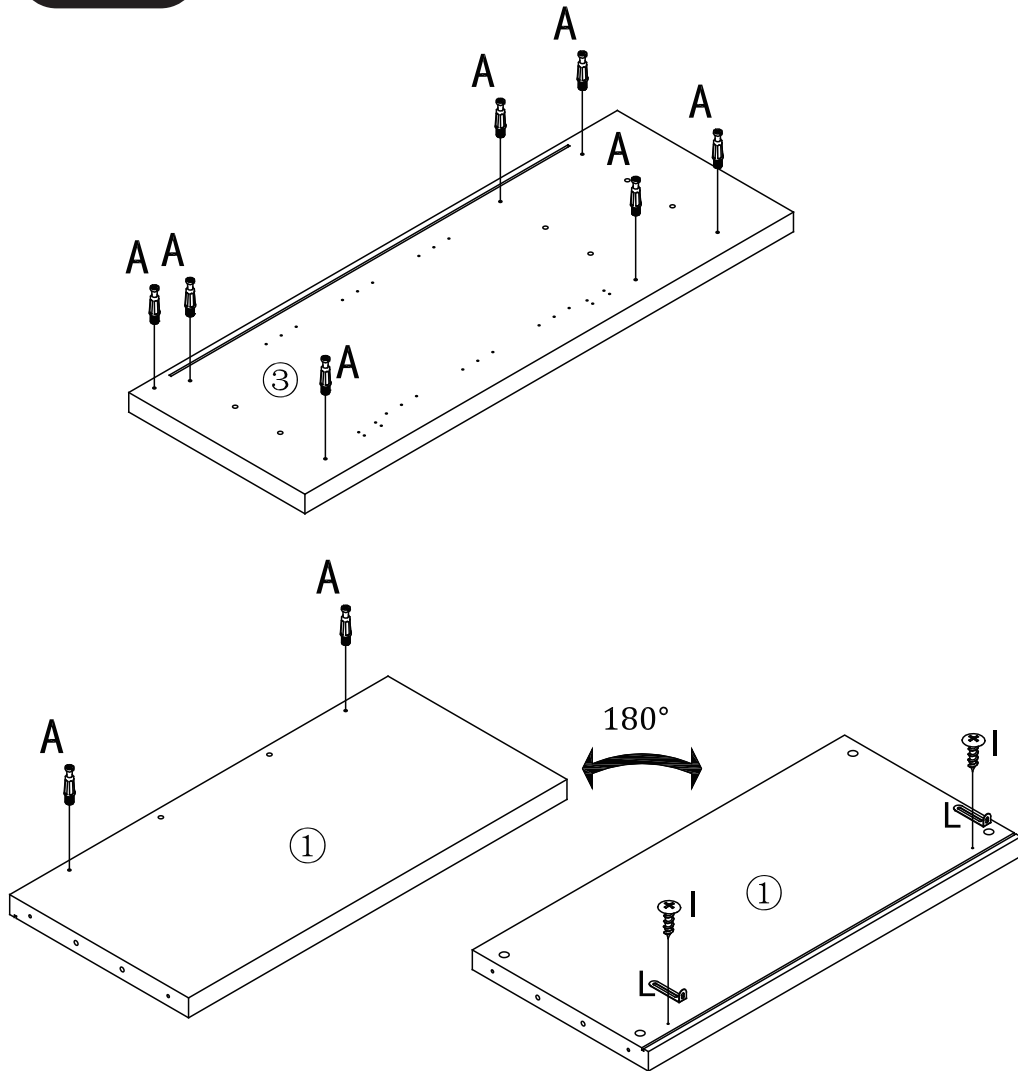
Parts list



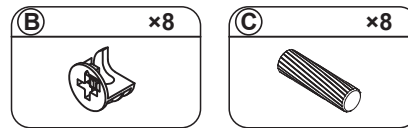
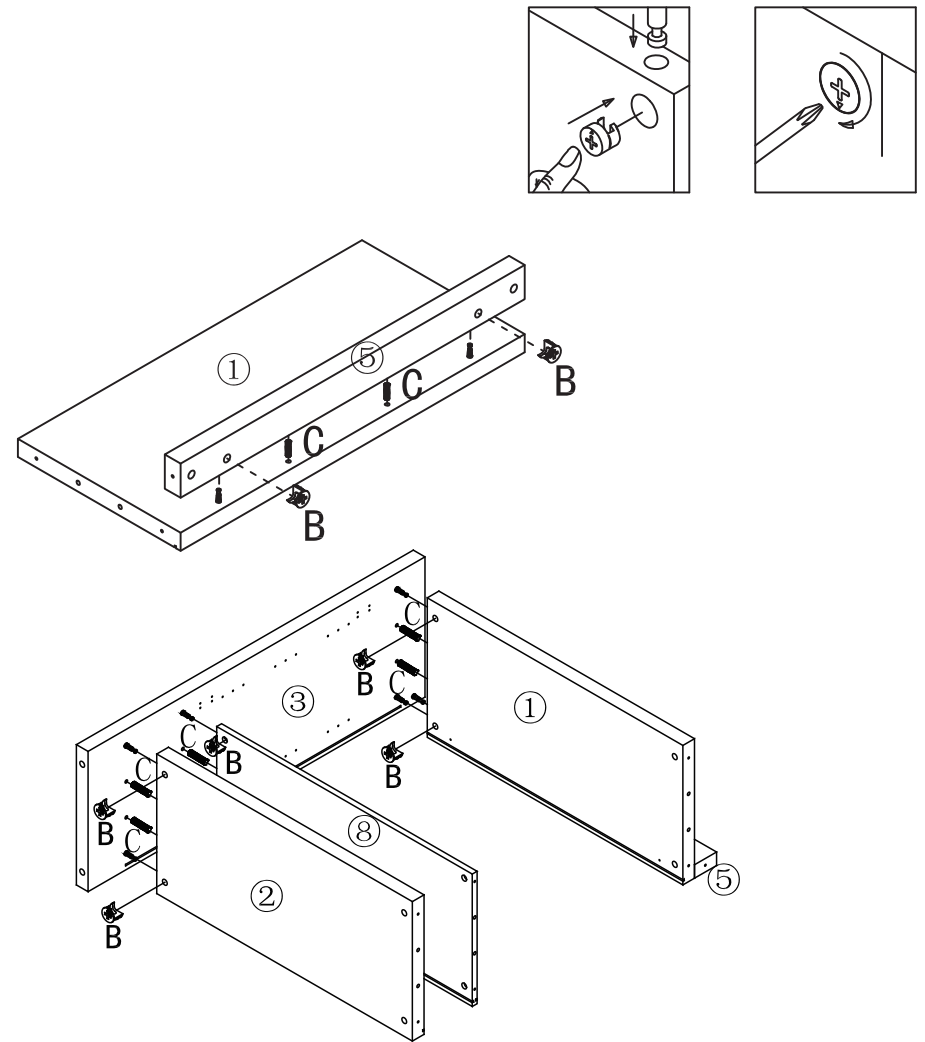
Hardware list

A x16 	B x16 	C x14 $\phi 8 \times 30 \text{mm}$ 	D x4 $\phi 3.5 \times 12 \text{mm}$ 	E x4 
F x2 	G x24 $\phi 4 \times 14 \text{mm}$ 	H x4 	I x2 $\phi 4 \times 15 \text{mm}$ 	J x2 $\phi 4 \times 35 \text{mm}$ 
K x2 	L x2 	M x14 $\phi 3 \times 16 \text{mm}$ 	N x14 	O x16 
				P x12 

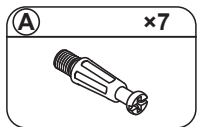
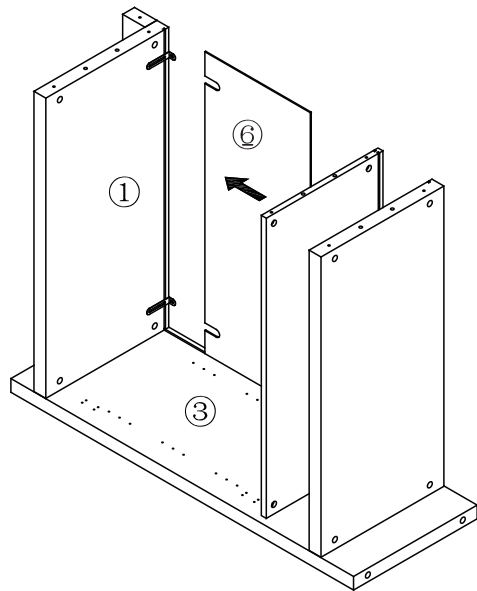
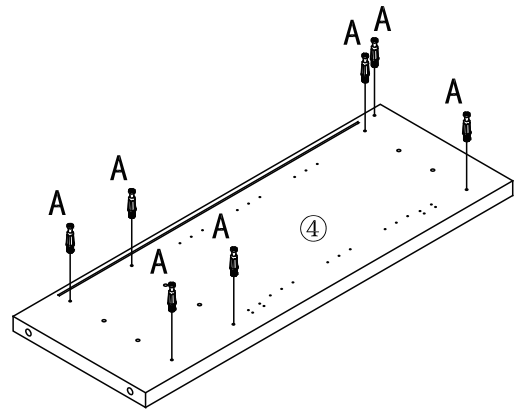
Step 1



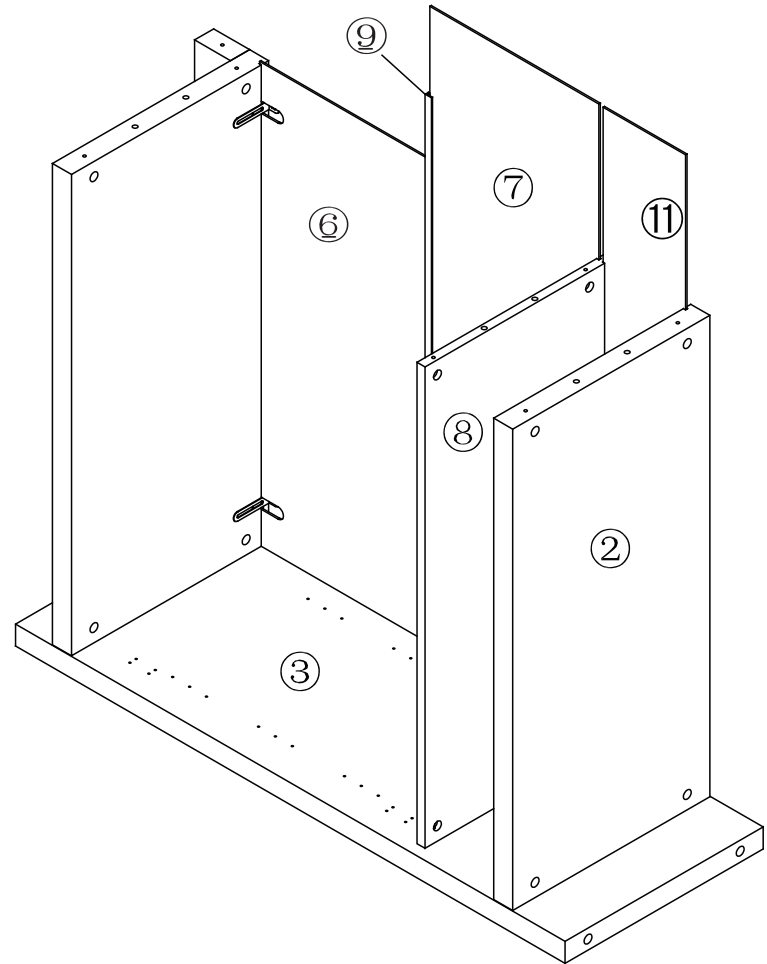
Step 2



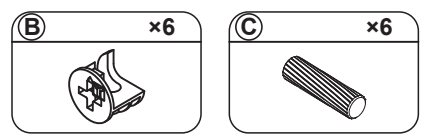
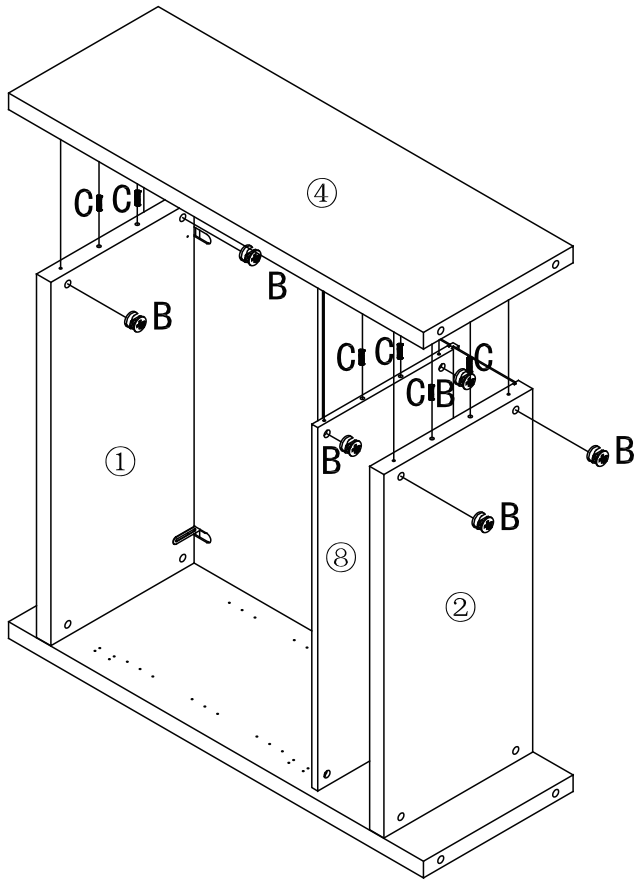
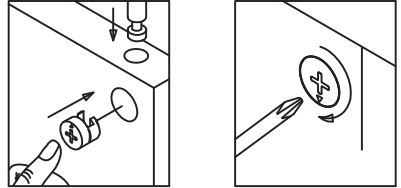
Step 3



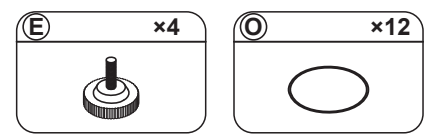
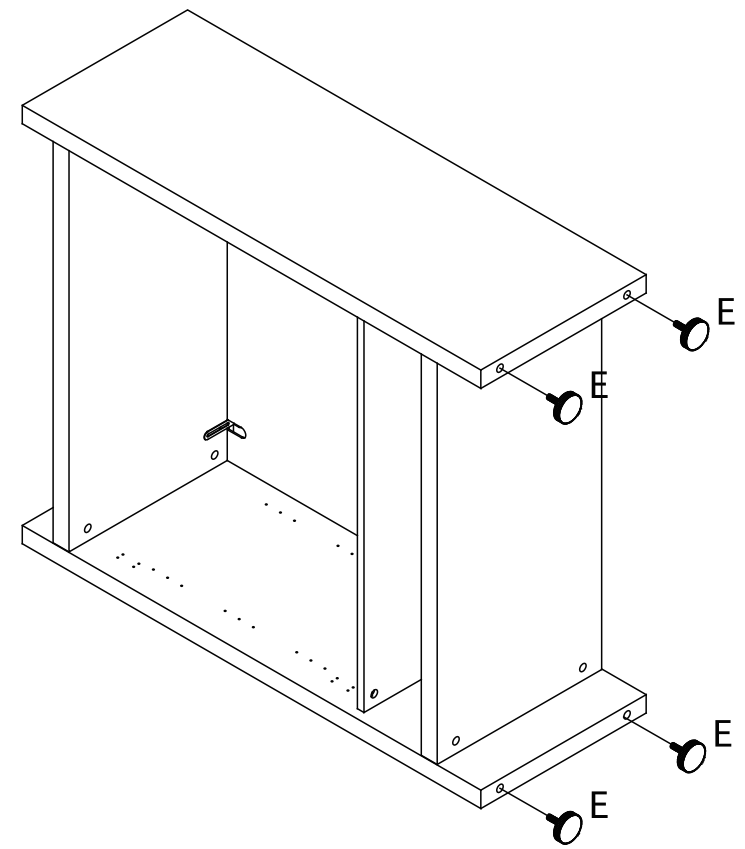
Step 4



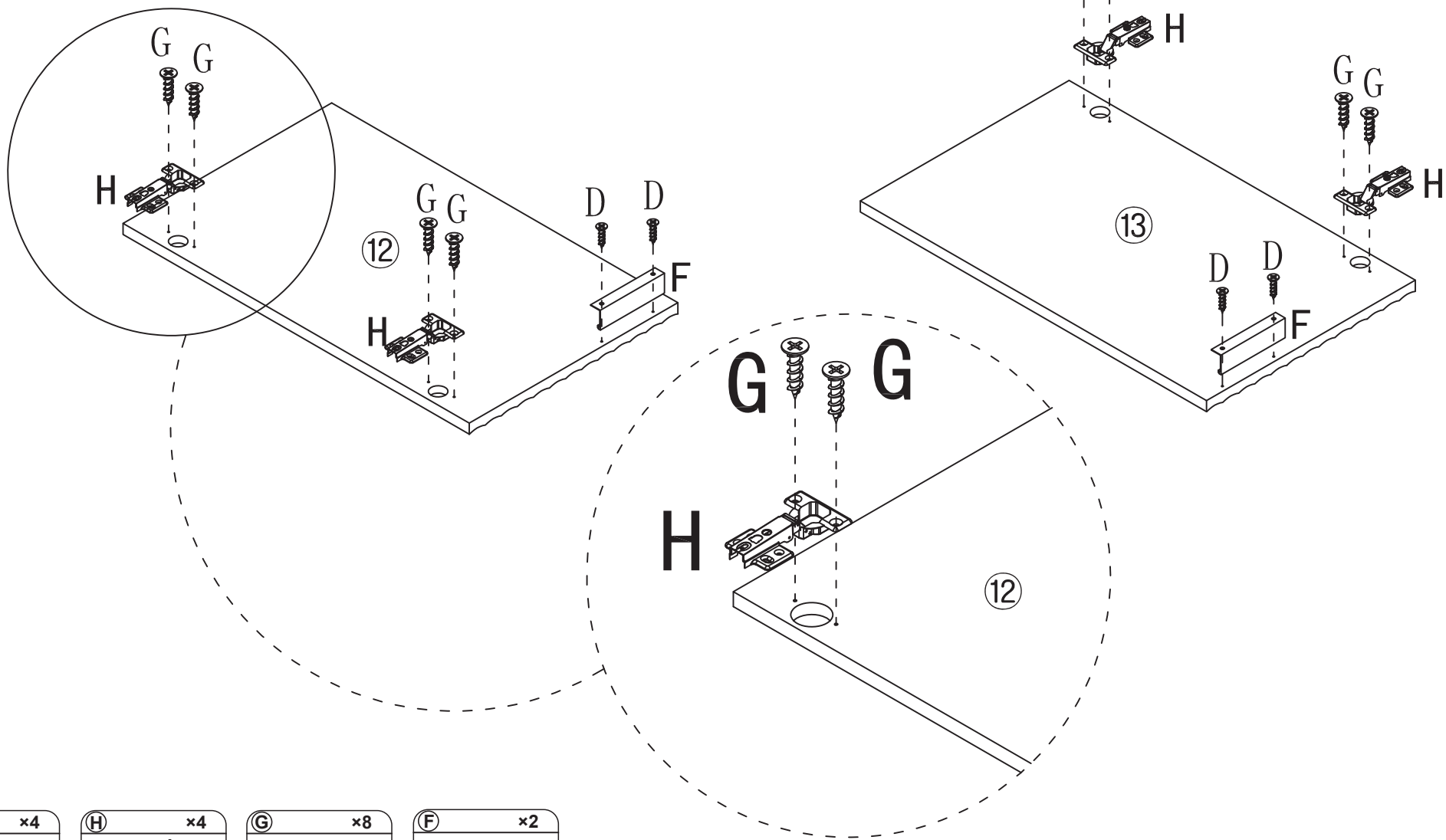
Step 5







Step 6

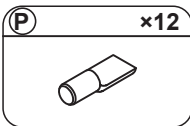
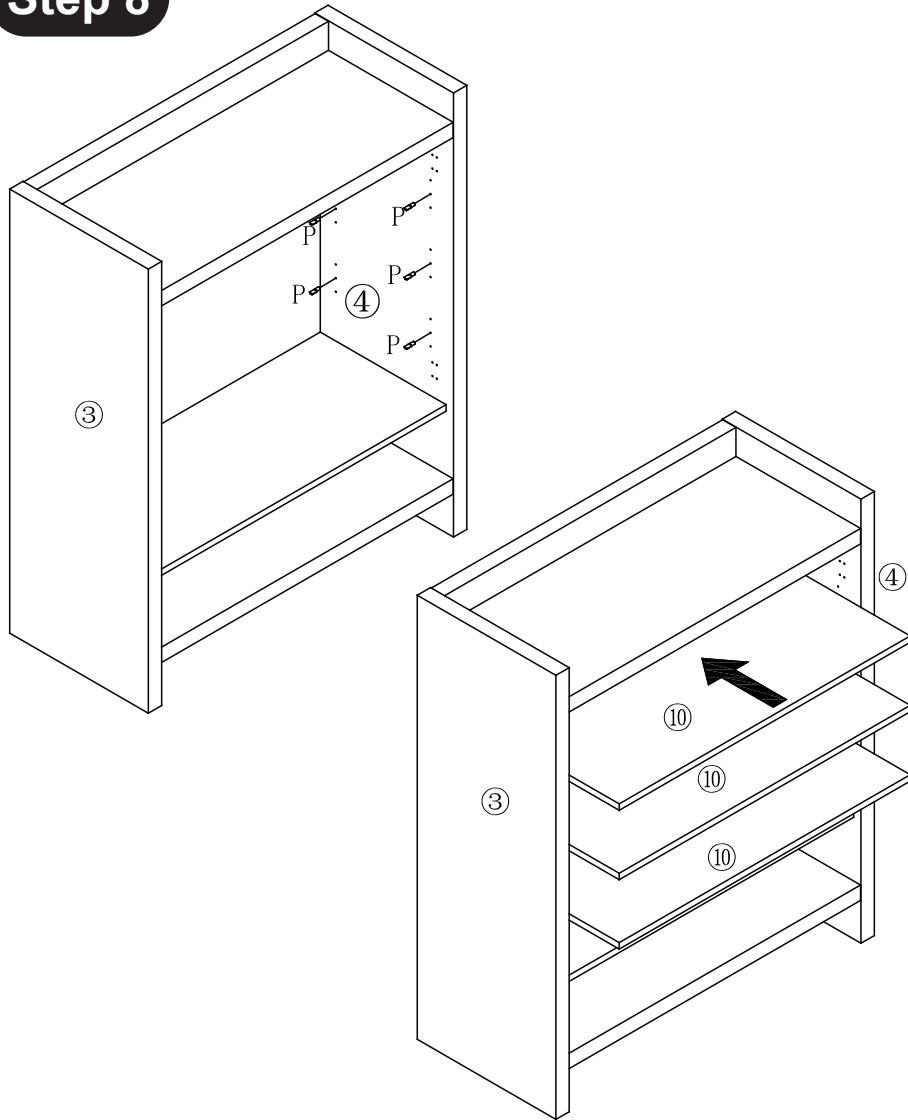


Step 7

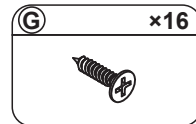
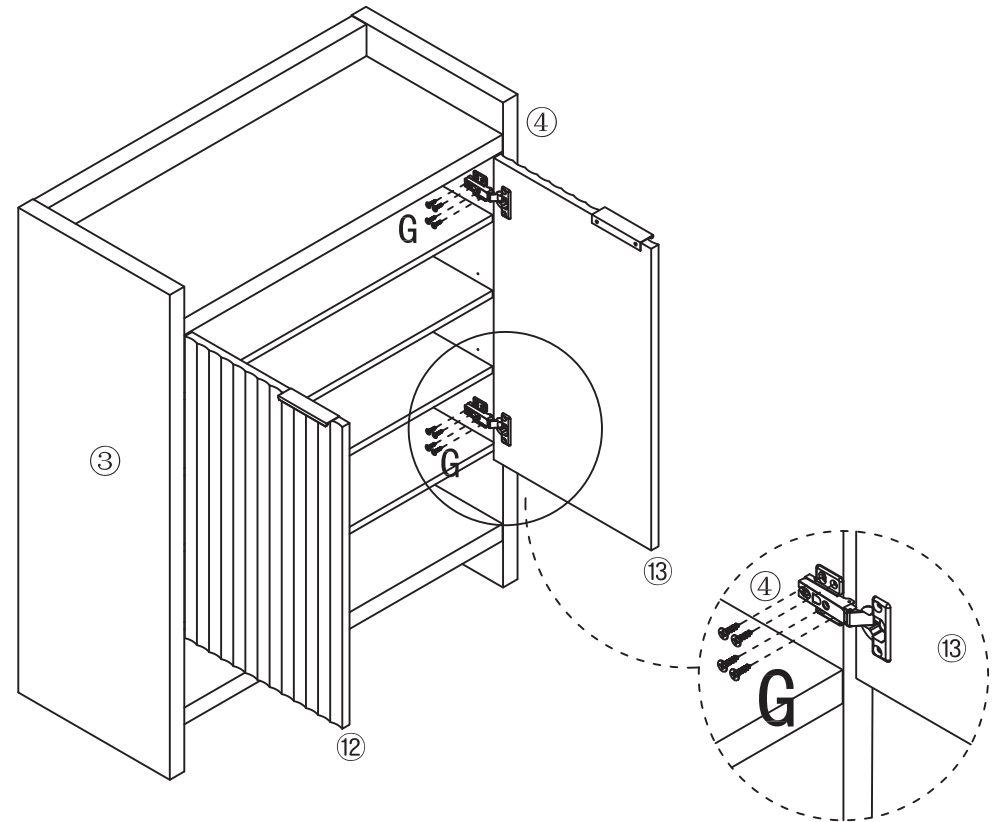


- | | | | | | | | |
|---|----|---|----|---|----|---|----|
| D | x4 | H | x4 | G | x8 | F | x2 |
|  | |  | |  | |  | |

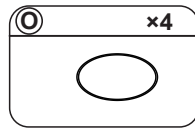
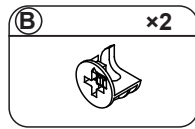
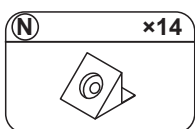
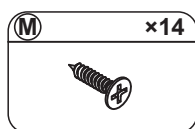
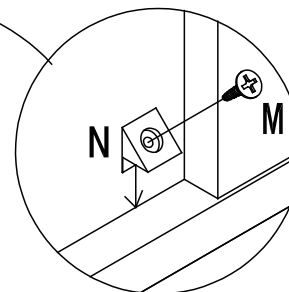
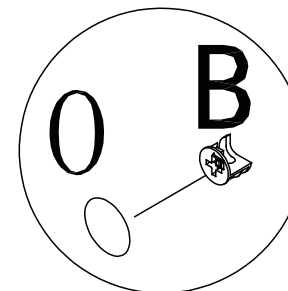
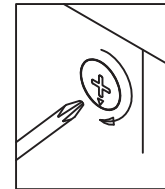
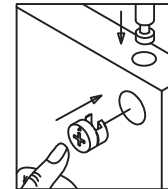
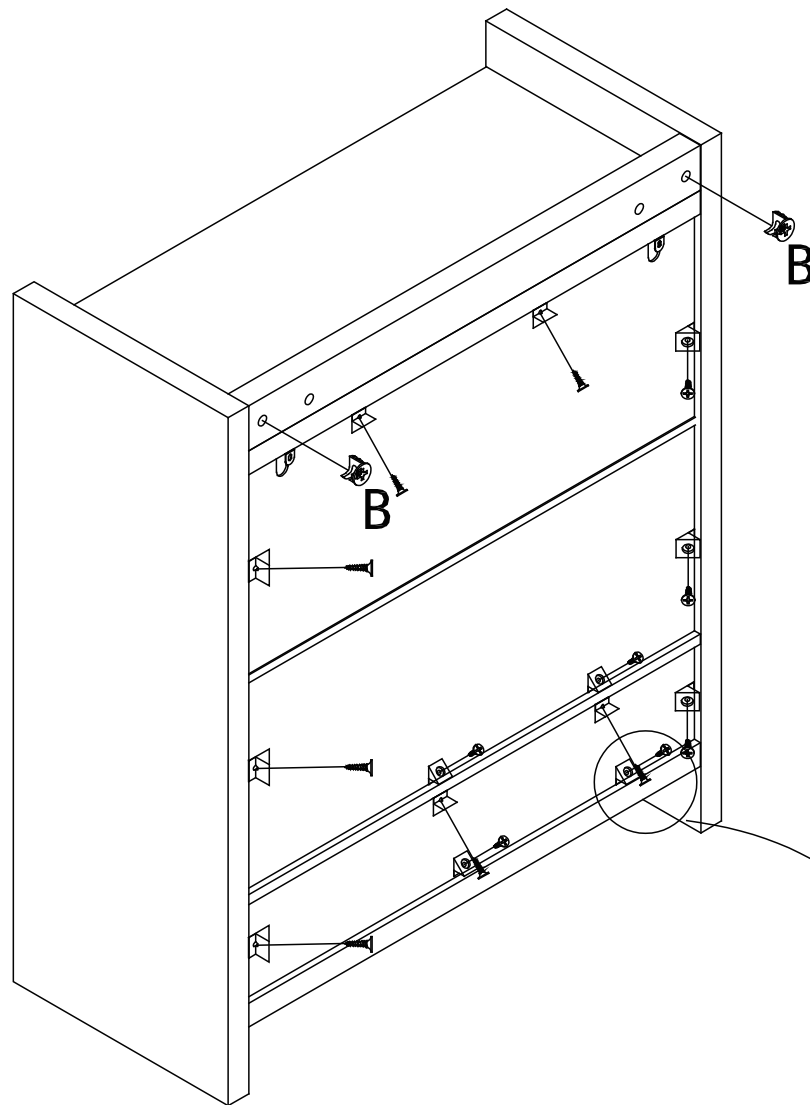
Step 8



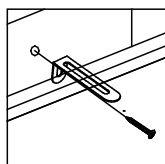
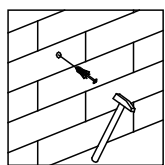
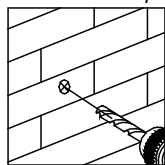
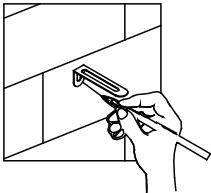
Step 9



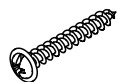
Step 10



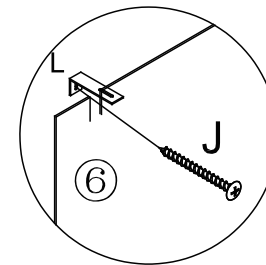
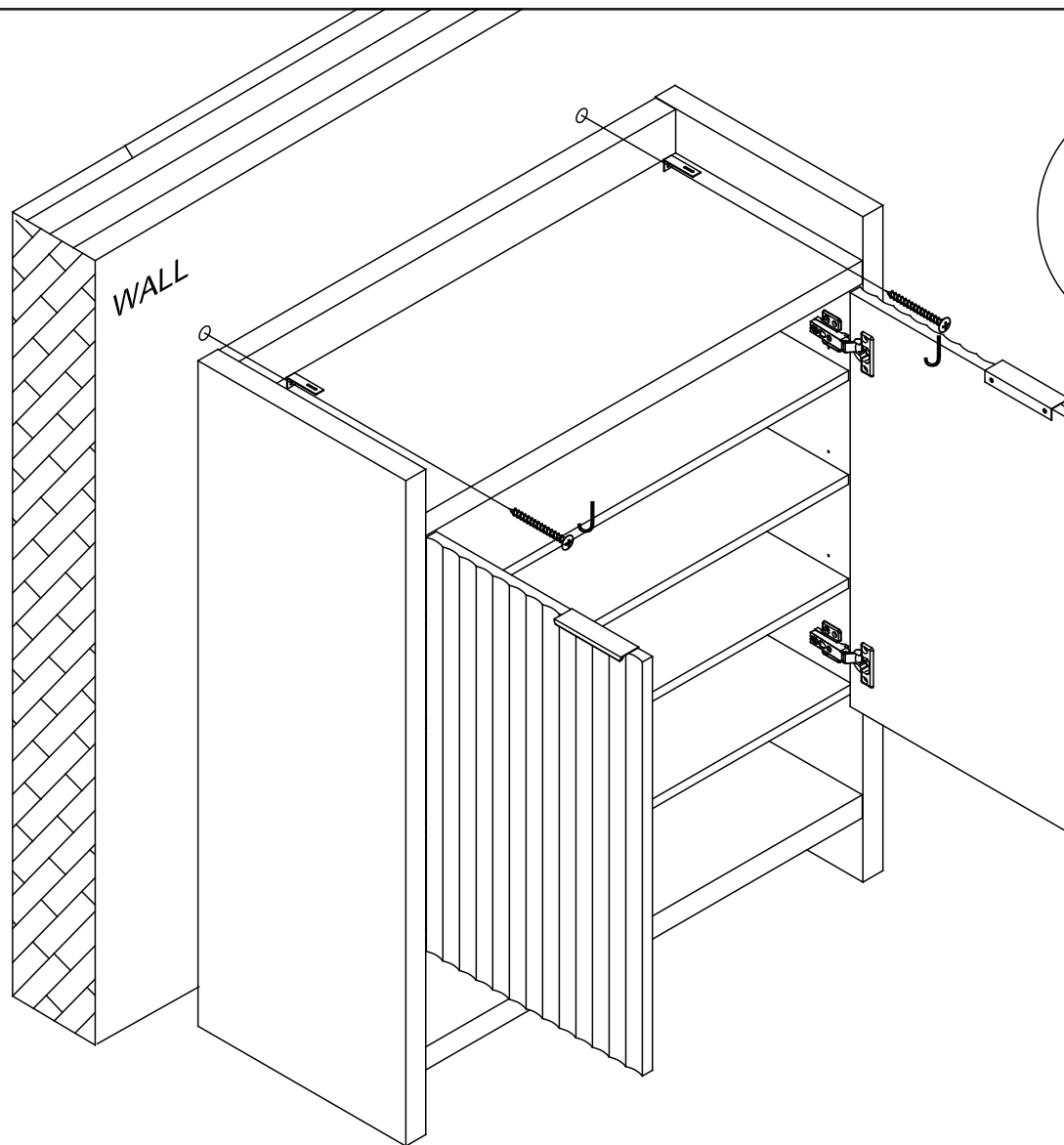
Step 10



J *2



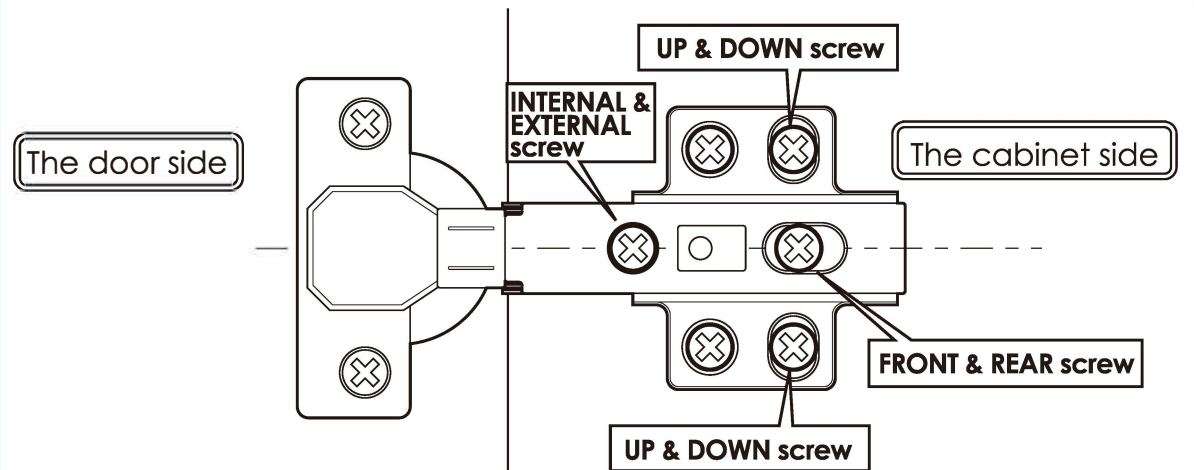
K *2



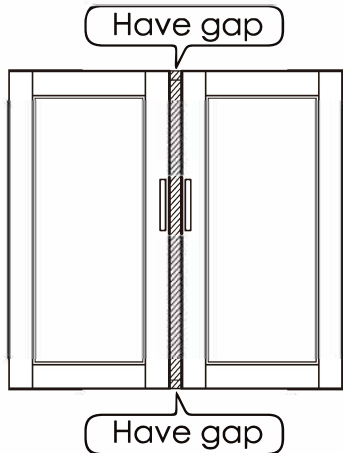
Adjusting the door

- Before adjusting the hinge, please check whether the cabinet is skewed.
- If the skew can not be repaired, please remove the anti-tipping device first, then adjust the cabinet to vertical position.
- Please adjust the hinge with the door open.
- Please operate it with more than 2 people, one person holds the door and the other one adjusts the screw.
- Have trouble adjusting the door? Please check out our video on adjusting the door via our website or contact care@oakhamdesign.com !

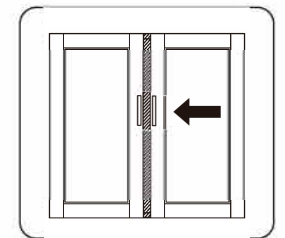
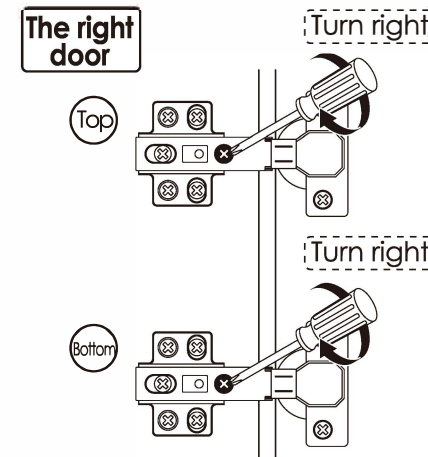
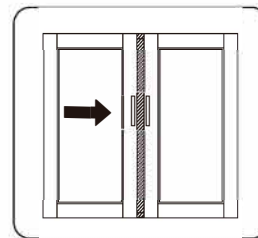
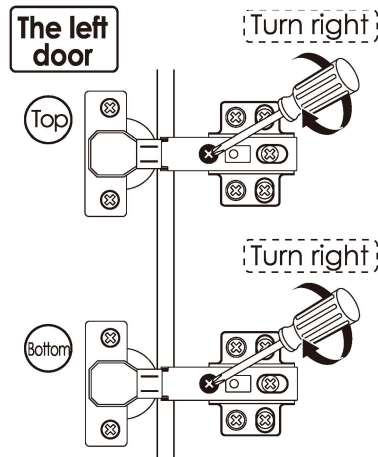
Components Name



Obvious gaps between doors or Doors don't look closed



1 Turn "internal & external screw" to the right can make the door approach inside. Please adjust the doors little by little.



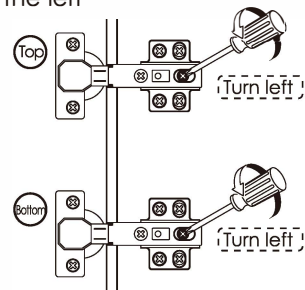
✘ If the 2 doors are overlap, please turn the "internal & external screw" to the left.

When door is crooked



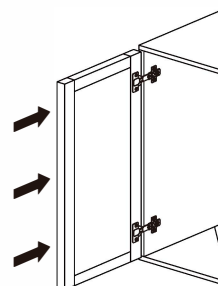
Please take the following steps to adjust first.

- 1 Rotate the "front and rear screws" to the left

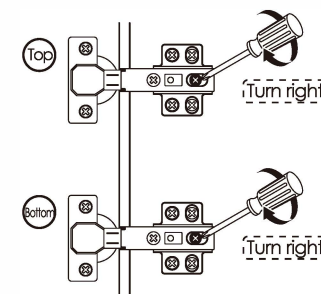


※ After adjusting the "front and rear screw", the door still does not change, please turn the "internal & external screw" to the right slightly.

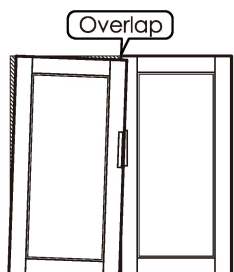
- 2 Push the door to the cabinet



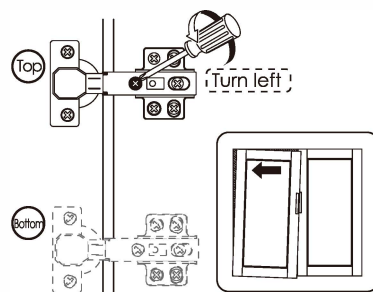
- 3 Rotate the "front and rear screws" to the right



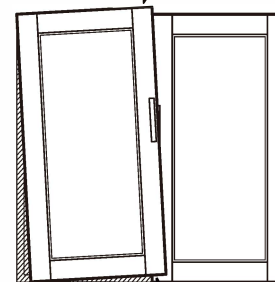
When door is leaning



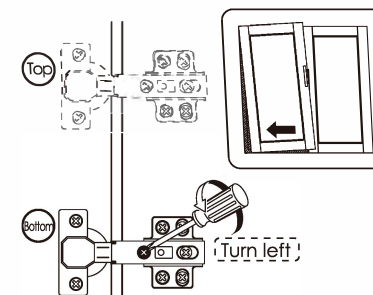
- 1 Turn "internal & external screw" to the left can make the top of the door tilted outward.



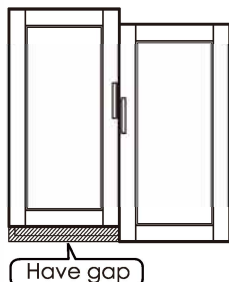
Protruding to the upside



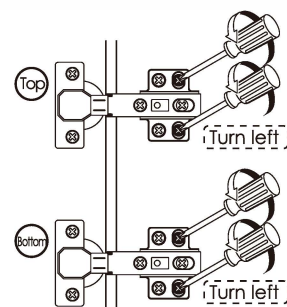
- 1 Turn "internal & external screw" to the left can make the bottom of the door tilted outward.



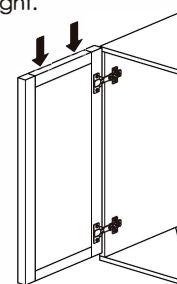
When the door is higher on top



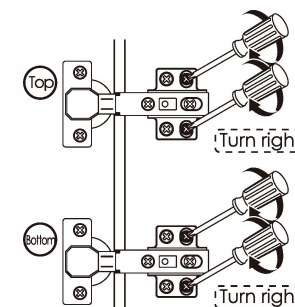
- 1 Turn "up & down screw" to the left



- 2 Lower the door's height so that 2 doors are of the same height.

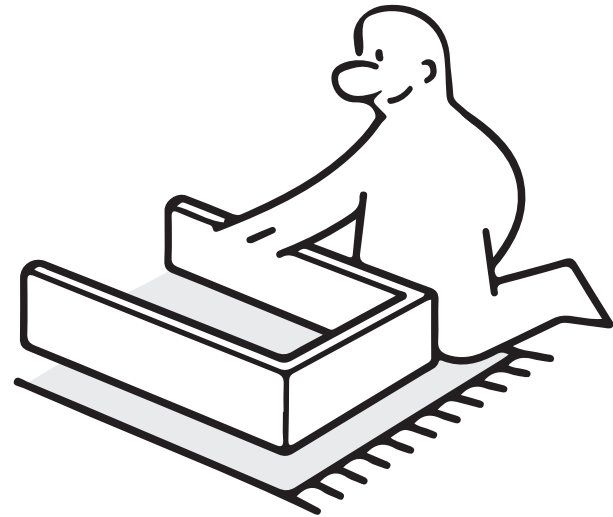
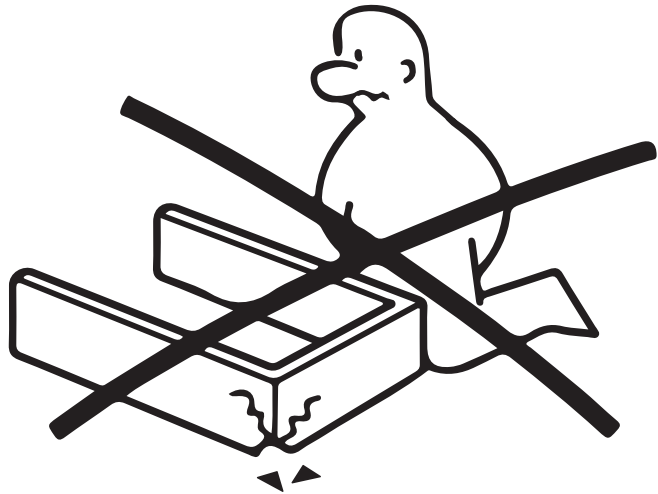


- 3 Turn "up & down screw" to the right



※ If the door is lower on bottom, please lift up the left door slightly on step 2

※ **Stay Scratch-Free: Safeguard Your Furniture by Assembling on Carpet.**



※ **Stuck in Assembly Limbo? Check out our website or contact our support team for quick solutions!**

