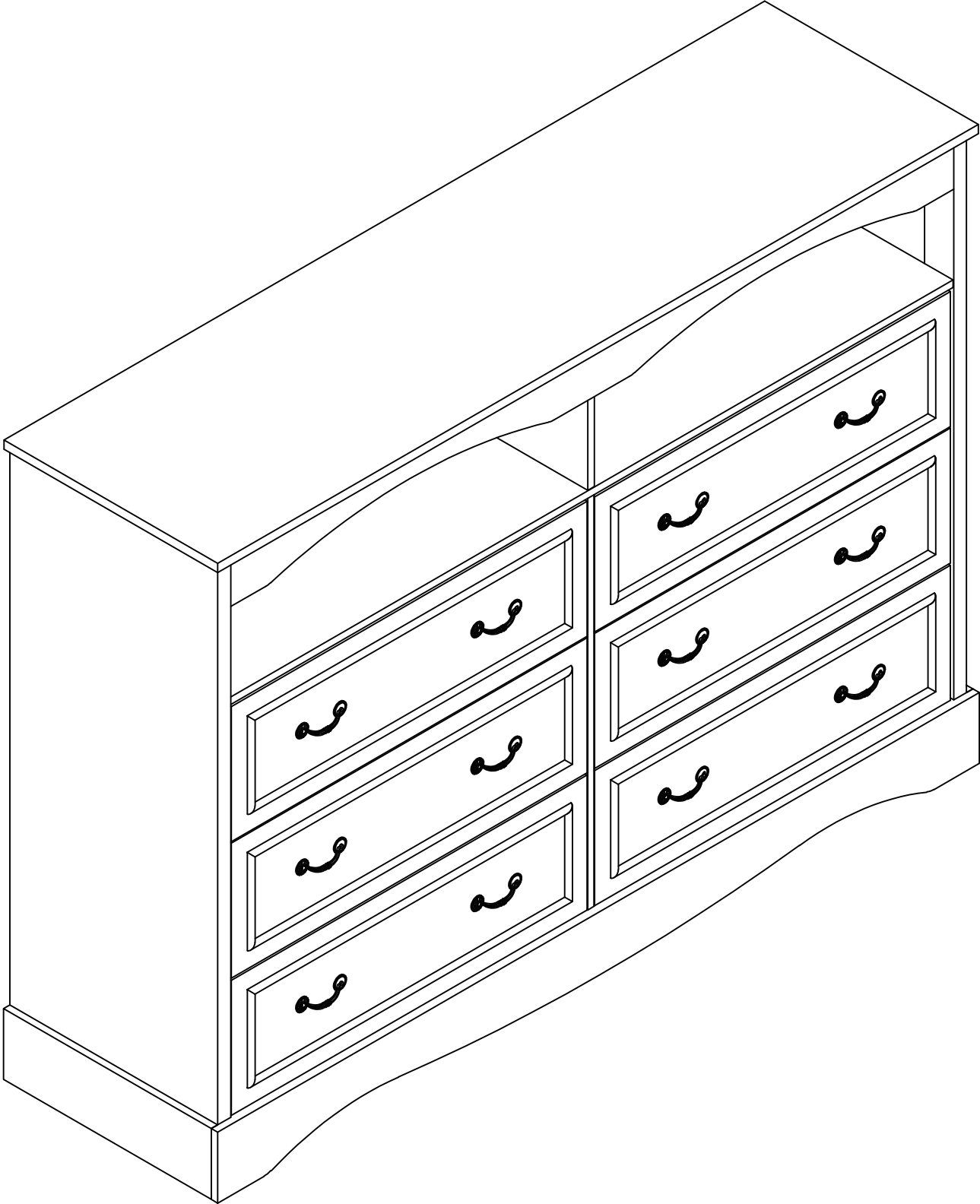


# Drawer Dresser USER MANUAL

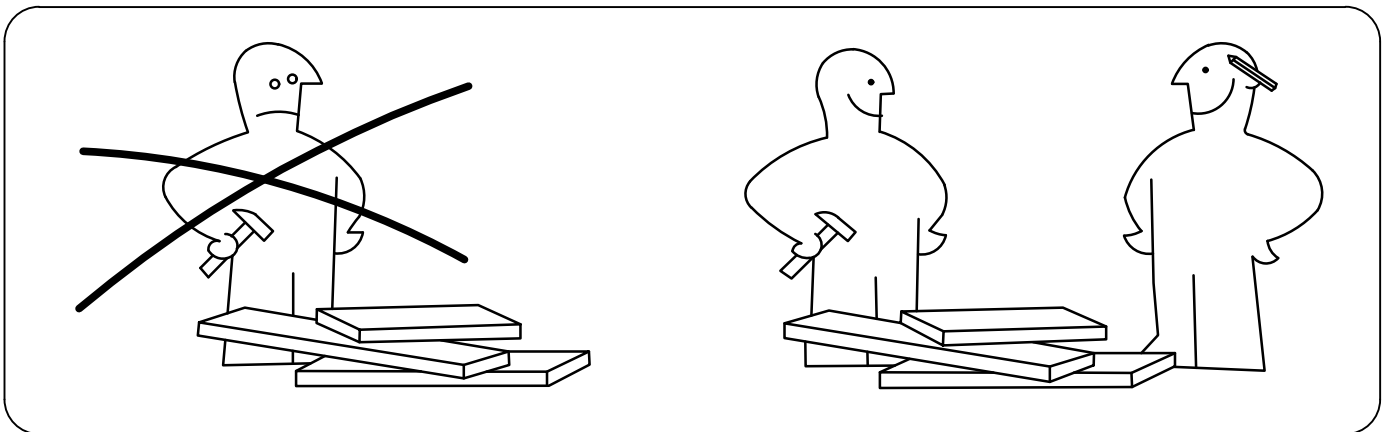
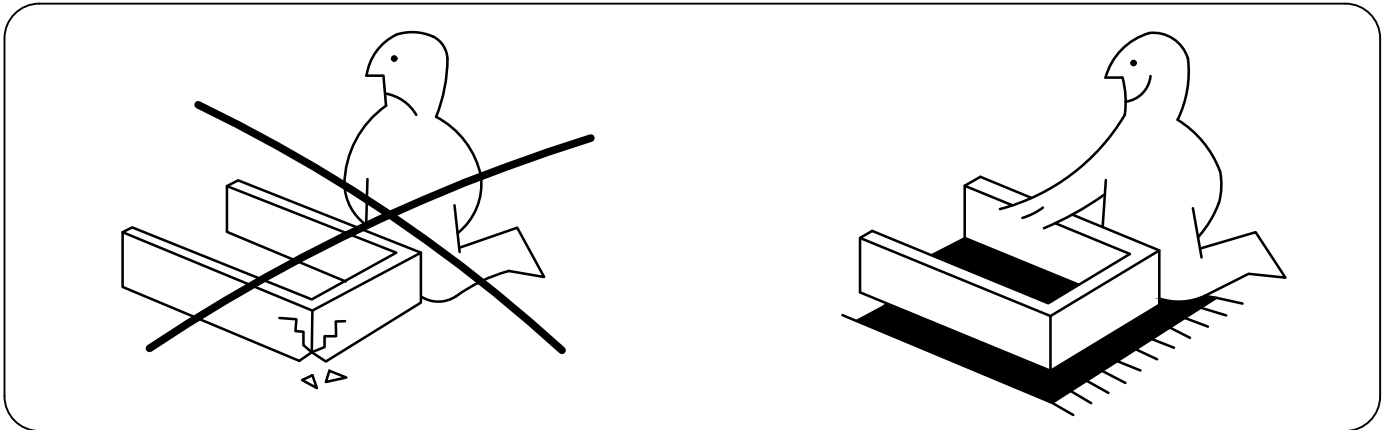


JFLDG2502  
JFLDG2503  
JFLDG2504

Version:1.1

## INTRODUCTION

Thank you for purchasing our products. Committed to providing customers with the best quality products and service has always been our lifelong goal. Before using the product, please read this instruction manual carefully to ensure correct use. Keep the instruction manual in a place where the user can find it at any time.



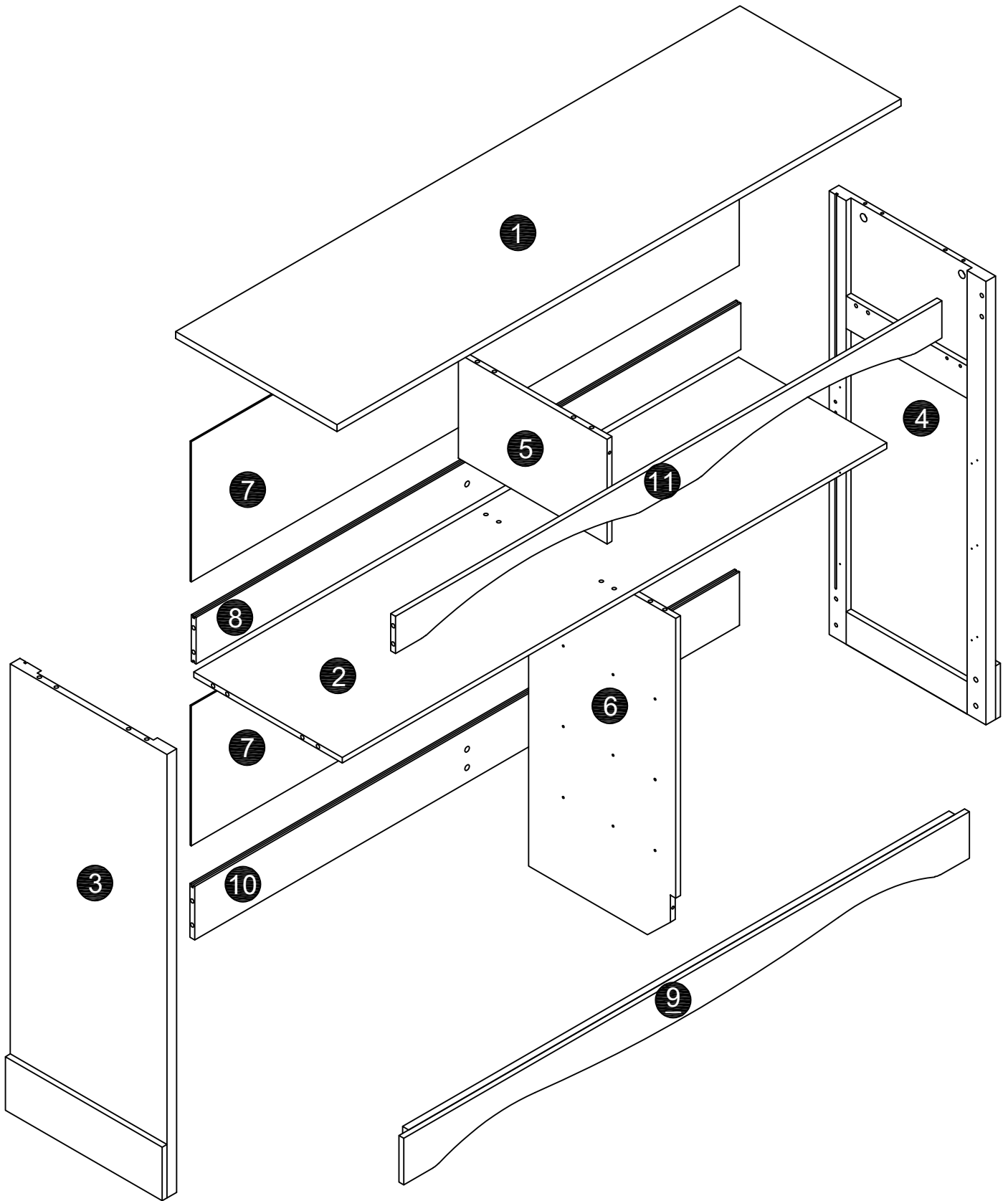
## PRECAUTIONS

1. There are many components and accessories in the package. Each component and accessory is labeled with a letter or a number, check carefully before using any of them. Keep them away from children to prevent accidents.
2. Please install the product on a clean and soft underlay (such as carpet or cardboard) to avoid scratching or damaging the surface of the product.
3. The main components of the product is relatively heavy. Please pay attention to safety during installation.
4. The product is not stable during installation. Please do not move it randomly before it is completely installed.
5. If you have any questions during installation, please contact the customer service in time.

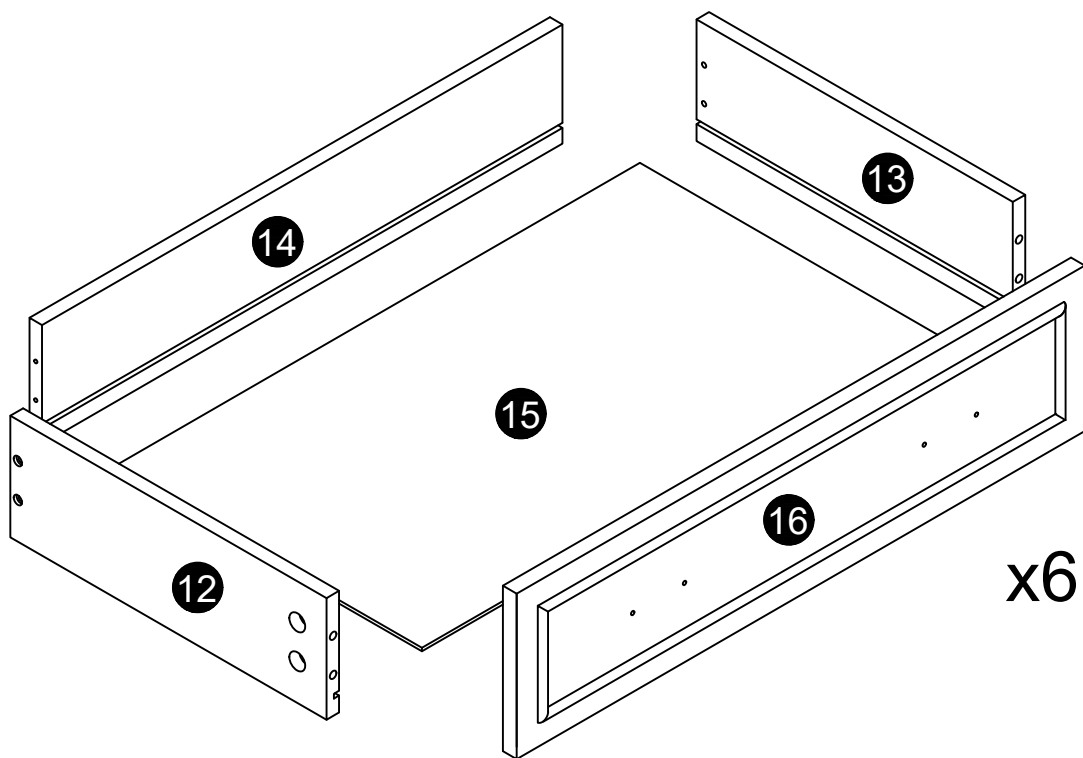
**\*PLEASE BE SURE TO FOLLOW THE INSTALLATION STEPS IN THE MANUAL TO AVOID UNNECESSARY LOSSES CAUSED BY IMPROPER INSTALLATION.**

**\*IF YOU NEED FURTHER ASSISTANCE, PLEASE CONTACT THE CUSTOMER SERVICE ONLINE.**

## PANEL LAYOUT

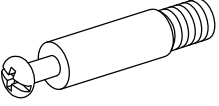
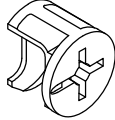
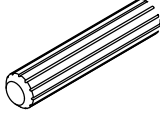
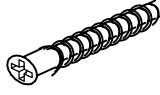
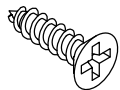
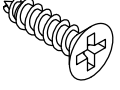

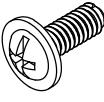
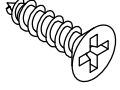
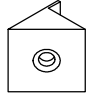
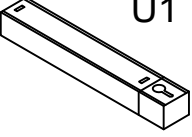
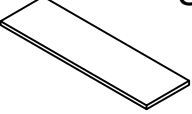
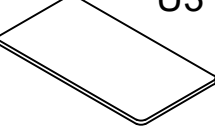





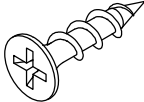
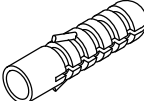
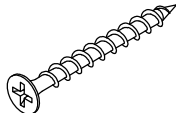


Due to the large number of boards, in order to facilitate the installation, please place the boards in order after opening the parcel and then start the installation.

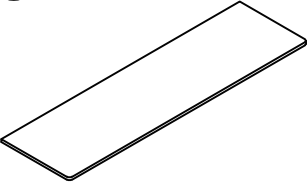
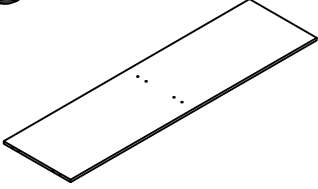
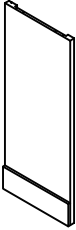
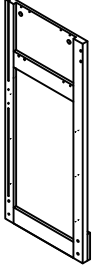
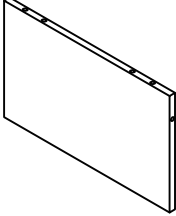
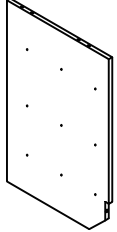
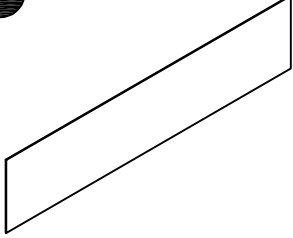
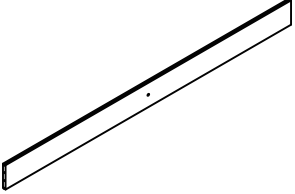
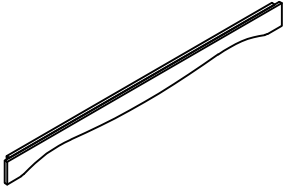
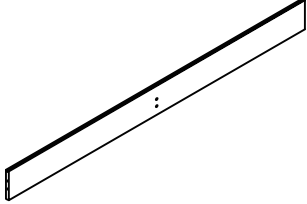
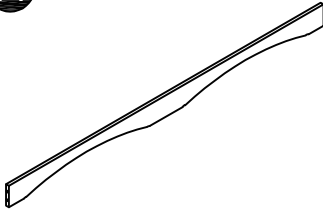
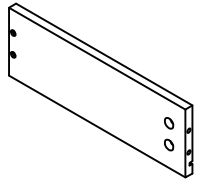
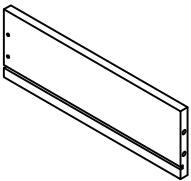
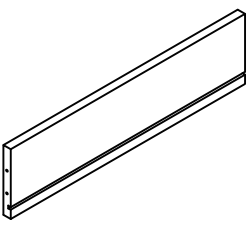
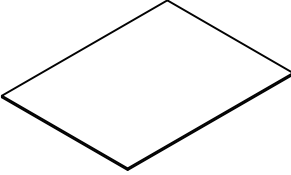
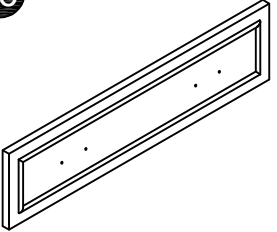


Due to the large number of boards, in order to facilitate the installation, please place the boards in order after opening the parcel and then start the installation.

# HARDWARE LIST

<p><b>A</b></p>  <p>6×40mm 56(+2)PCS</p>	<p><b>B</b></p>  <p>56(+2)PCS</p>	<p><b>C</b></p>  <p>6×35mm 14(+1)PCS</p>	<p><b>D</b></p>  <p>M5×40mm 27(+2)PCS</p>	<p><b>E</b></p>  <p>M3.5×12mm 9 PCS</p>
<p><b>H</b></p>  <p>M3×12mm 63(+2)PCS</p>	<p><b>L</b></p>  <p>96×35×14mm 12PCS</p>	<p><b>M</b></p>  <p>M4×18mm 24(+2)PCS</p>	<p><b>Q</b></p>  <p>M3×14mm 10PCS</p>	<p><b>R</b></p>  <p>15×14×10mm 10PCS</p>
<p><b>U</b></p> <div style="display: flex; justify-content: space-around; align-items: center;"> <div style="text-align: center;"> <p><b>U1</b></p>  <p>205×25×20mm</p> </div> <div style="text-align: center;"> <p><b>U2</b></p>  <p>2PCS</p> </div> <div style="text-align: center;"> <p><b>U3</b></p>  </div> </div>				
<p><b>O</b></p> <div style="display: flex; justify-content: space-around; align-items: center;"> <div style="text-align: center;">  <p>DL L350</p> <p>6PCS</p> </div> <div style="text-align: center;">  <p>DR L350</p> <p>6PCS</p> </div> <div style="text-align: center;">  <p>CL L350</p> <p>6PCS</p> </div> <div style="text-align: center;">  <p>CR L350</p> <p>6PCS</p> </div> </div>				
<p><b>N</b></p> <div style="display: flex; justify-content: space-around; align-items: center;"> <div style="text-align: center;">  <p>N1</p> </div> <div style="text-align: center;">  <p>N2 M3×15mm</p> </div> <div style="text-align: center;">  <p>N3</p> </div> <div style="text-align: center;">  <p>N4 M3×35mm</p> </div> </div> <p style="text-align: center;">2PCS</p>				

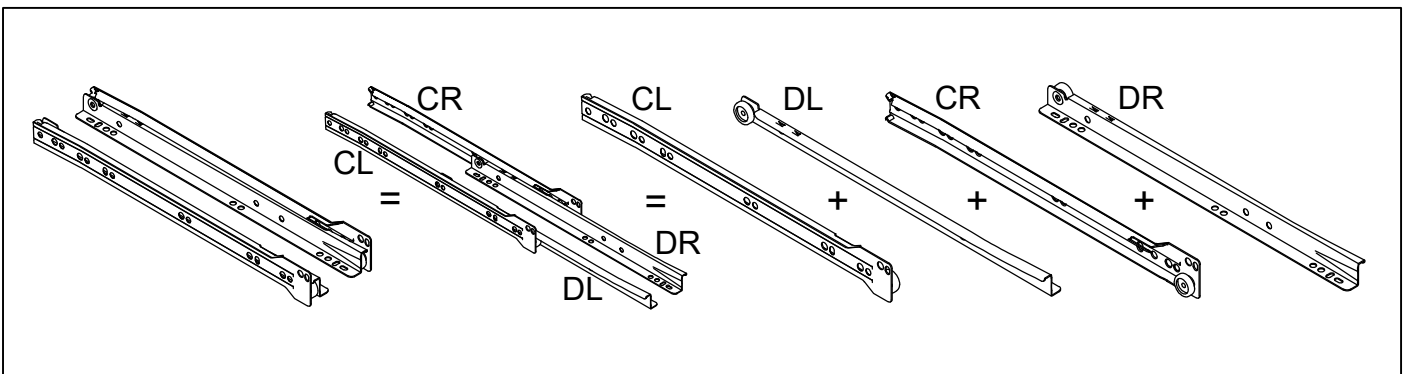
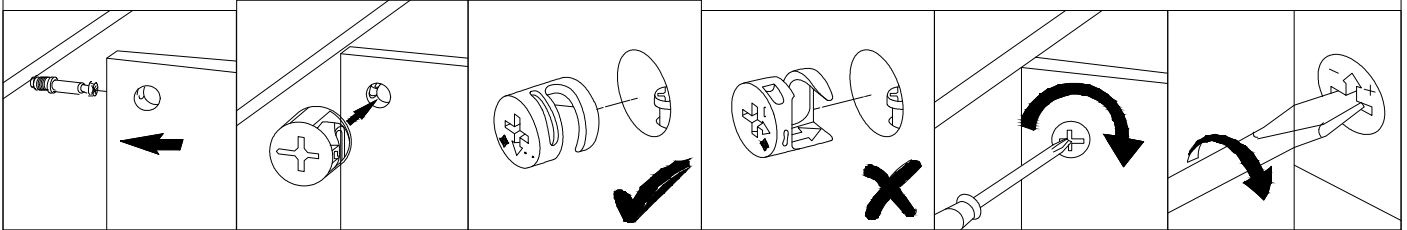
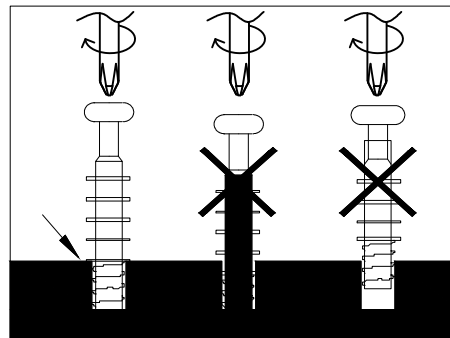
PANEL LIST

<p>1</p>  <p>1PC</p>	<p>2</p>  <p>1PC</p>	<p>3</p>  <p>1PC</p>	<p>4</p>  <p>1PC</p>
<p>5</p>  <p>1PC</p>	<p>6</p>  <p>1PC</p>	<p>7</p>  <p>2PCS</p>	<p>8</p>  <p>1PC</p>
<p>9</p>  <p>1PC</p>	<p>10</p>  <p>1PC</p>	<p>11</p>  <p>1PC</p>	<p>12</p>  <p>6PCS</p>
<p>13</p>  <p>6PCS</p>	<p>14</p>  <p>6PCS</p>	<p>15</p>  <p>6PCS</p>	<p>16</p>  <p>6PCS</p>

**TIPS**


1. When installing the product, use a soft surface (such as carpet or cardboard) to avoid scratching or damaging the surface of the product.
2. Please try to use a manual screwdriver instead of electric screw driver. A manual screwdriver can be used to better control the tightness of the screws.
3. Do not use any glue.
4. The product is unstable before it is assembled. Please pay attention to the product installation sequence, and align all screws and screw holes before tightening.
5. The structure of this product can not meet the requirements of children climbing.


Installation method of three in one rod and buckle



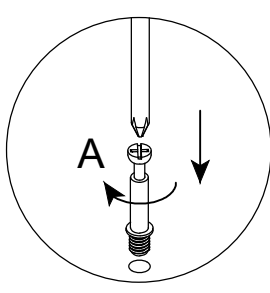
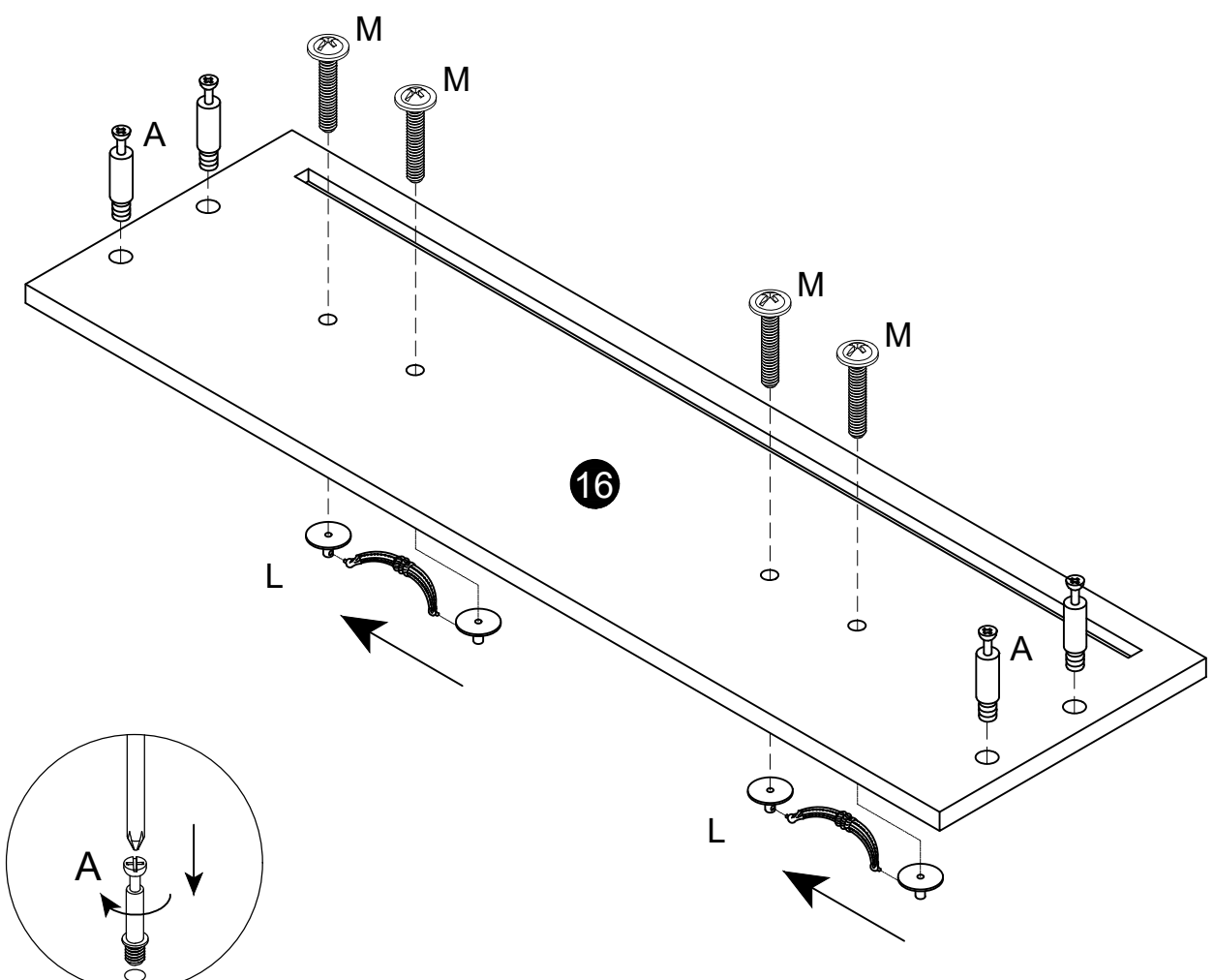
01

# INSTALLATION STEPS

Ax24 


Mx24 

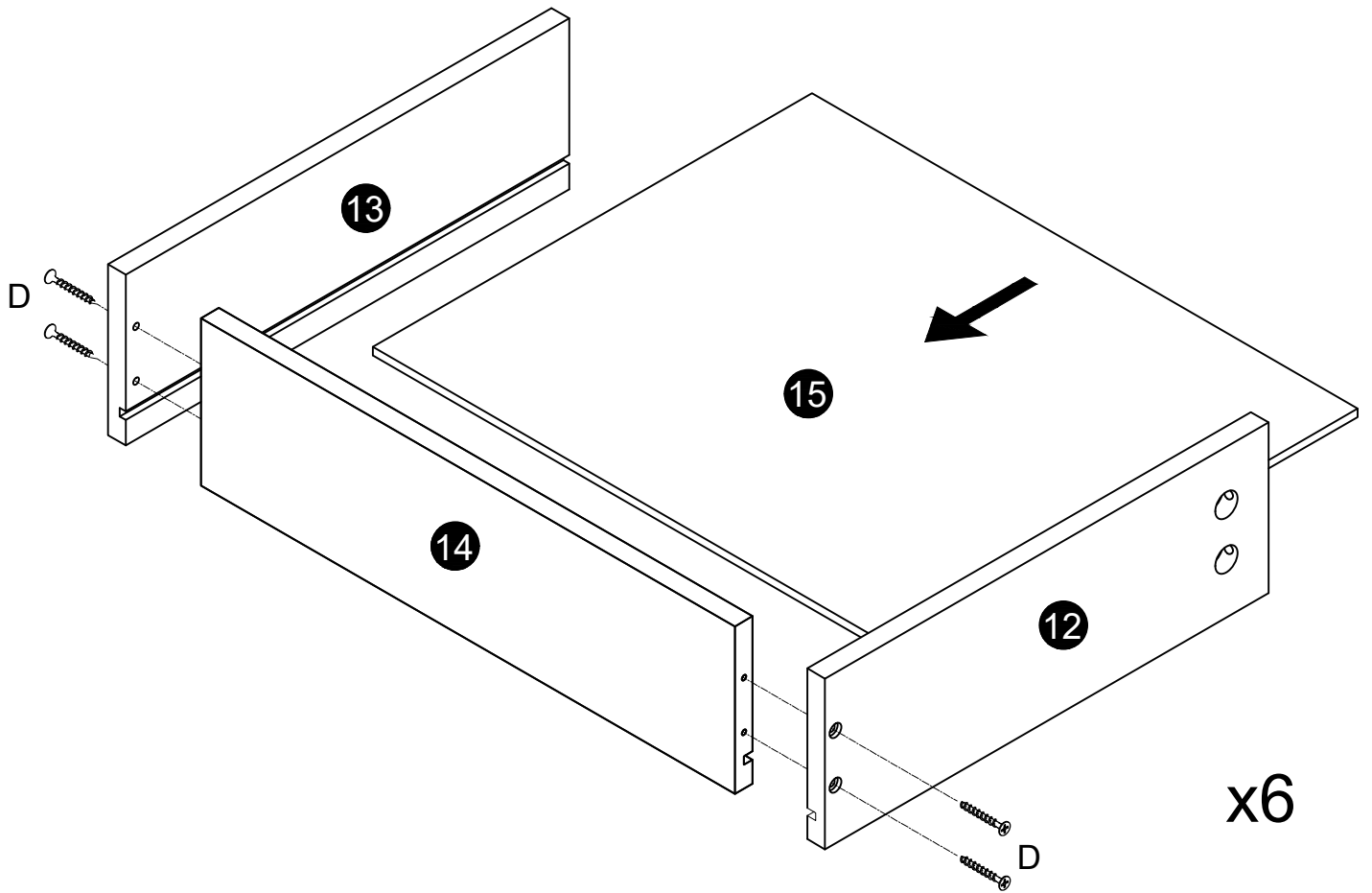
Lx12 




x6

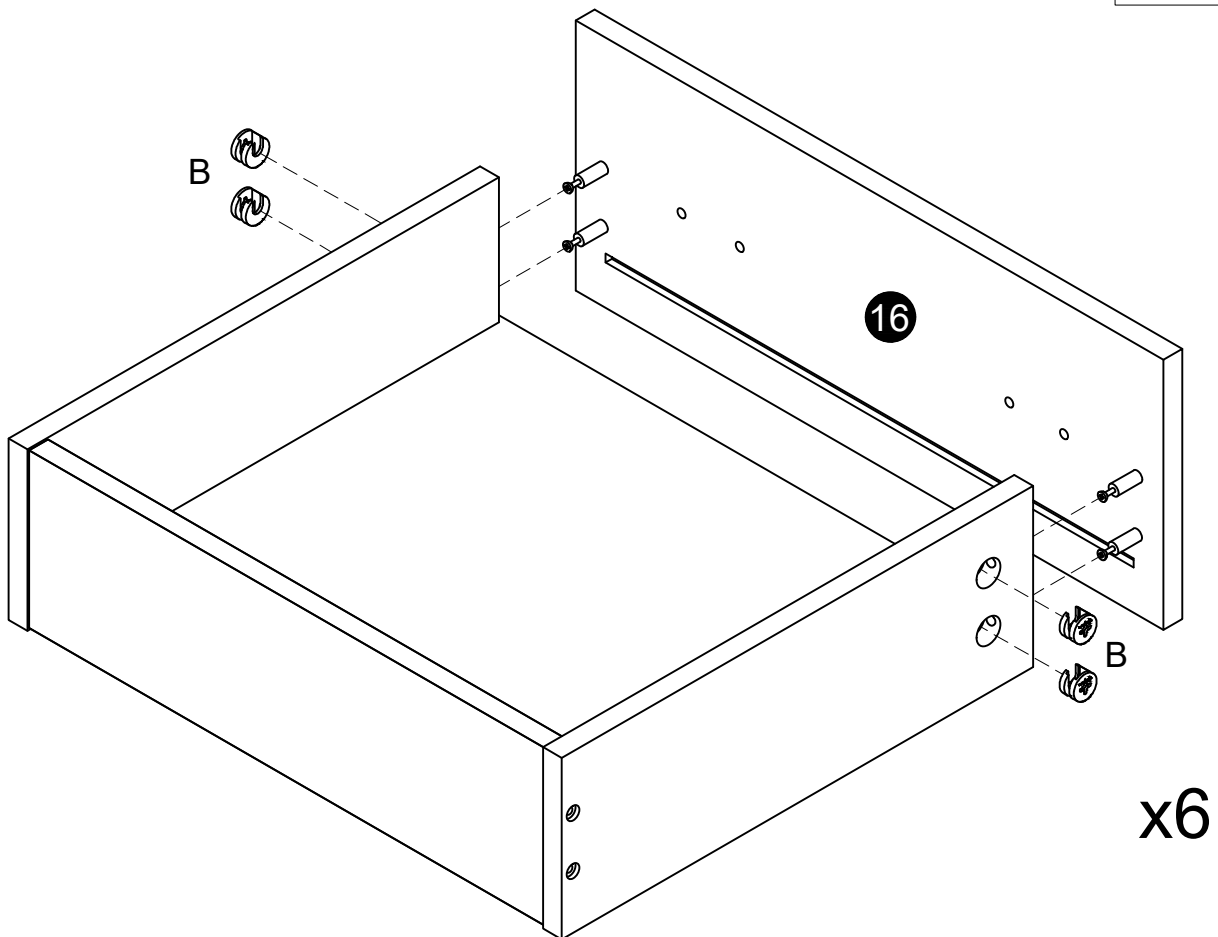
02

Dx24 

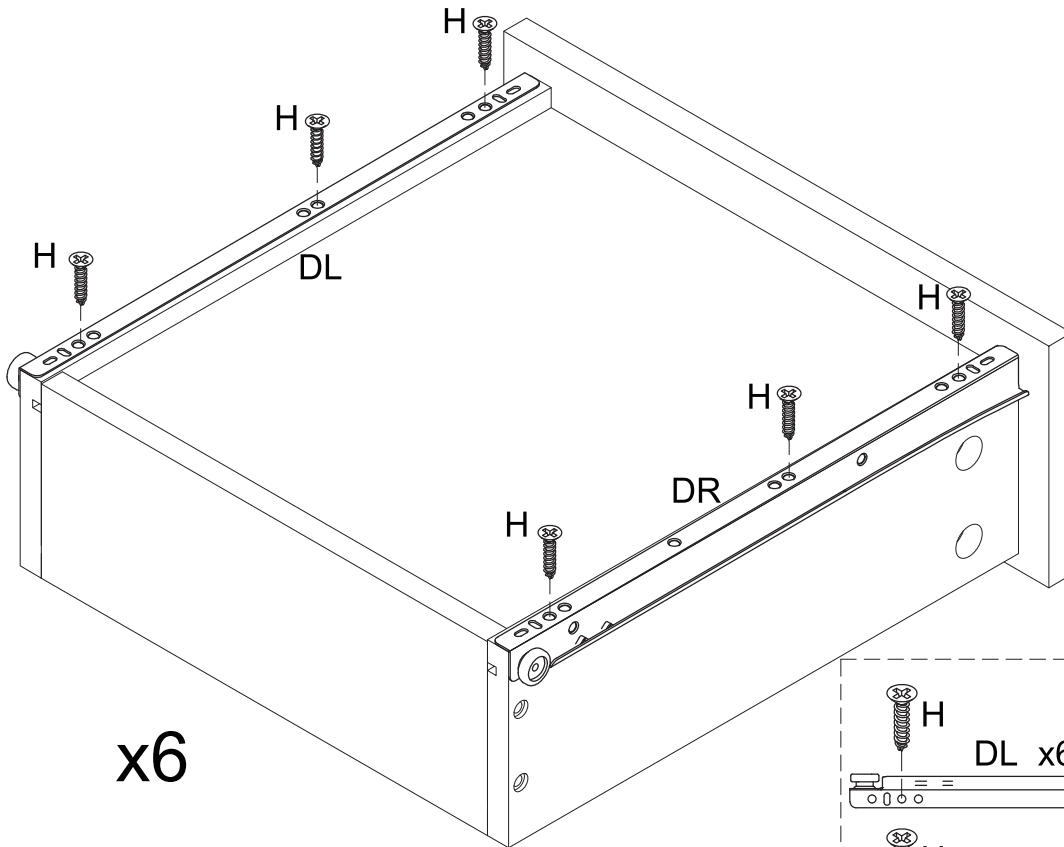





03

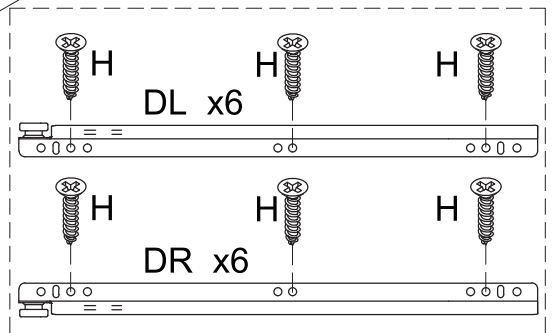
Bx24 



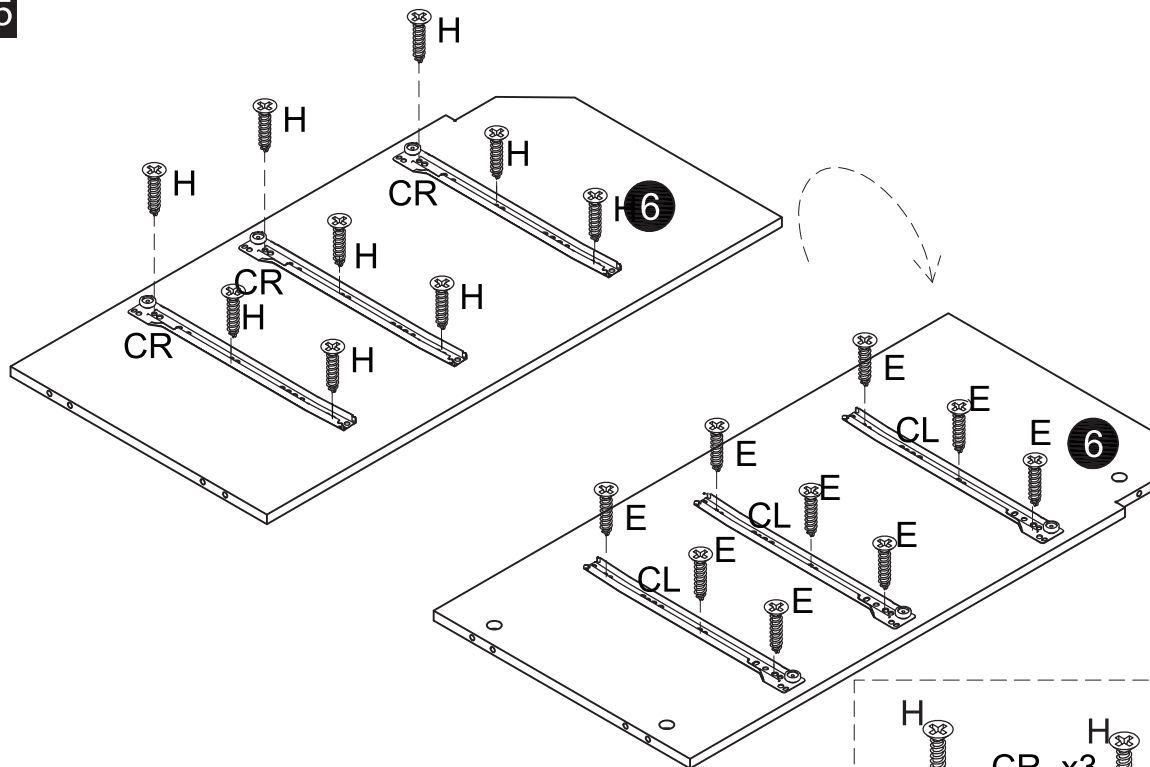
04






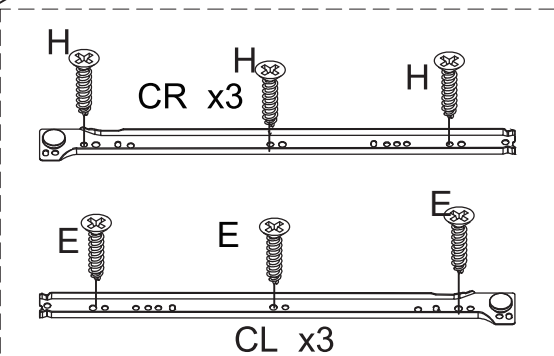
- O DRx6 
- O DLx6 
- Hx36 



05

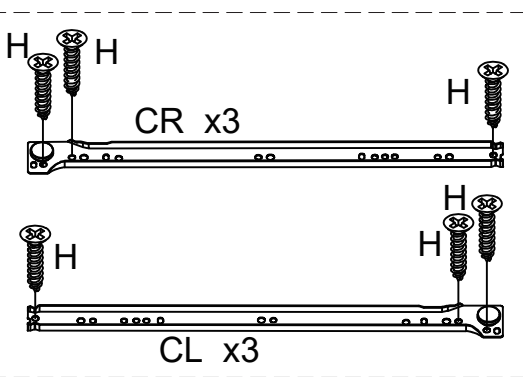
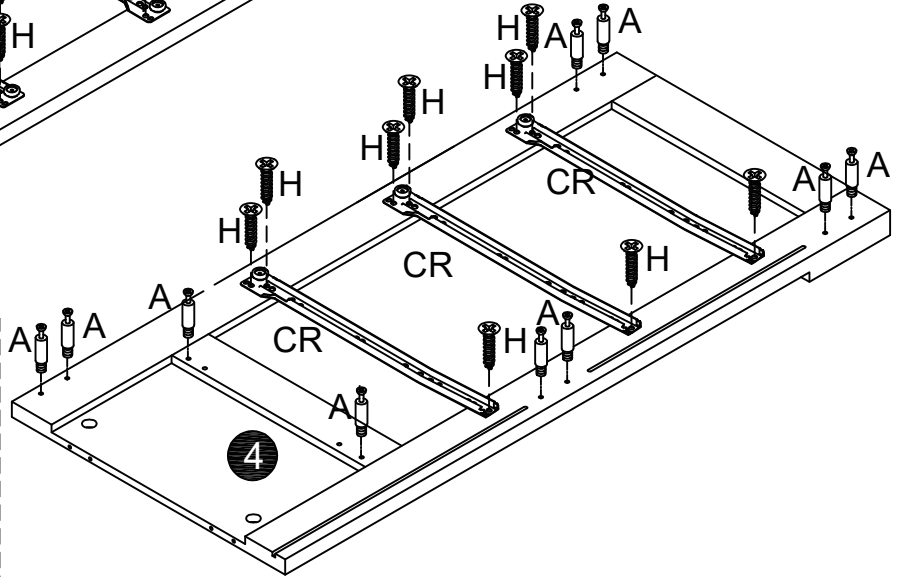
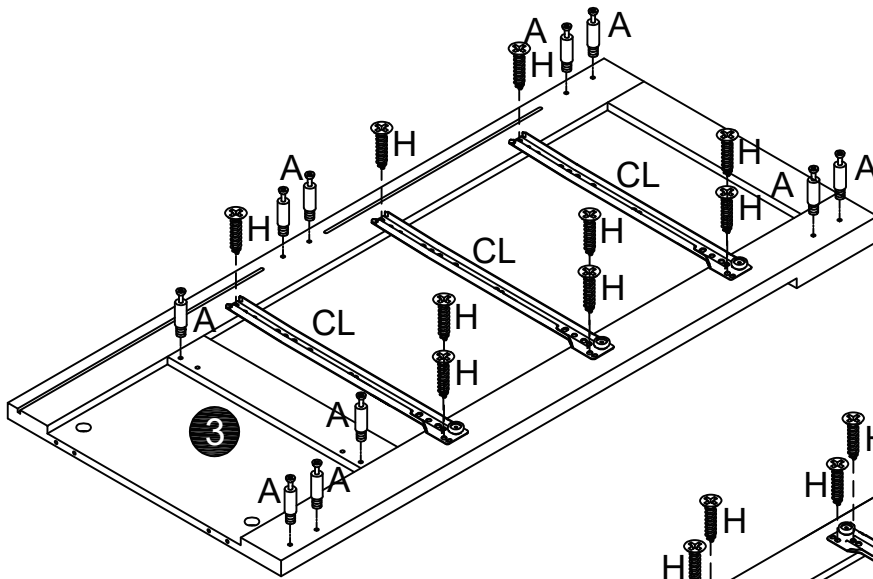


- Hx9
- O CRx3 
- O CLx3 
- E x9 





06

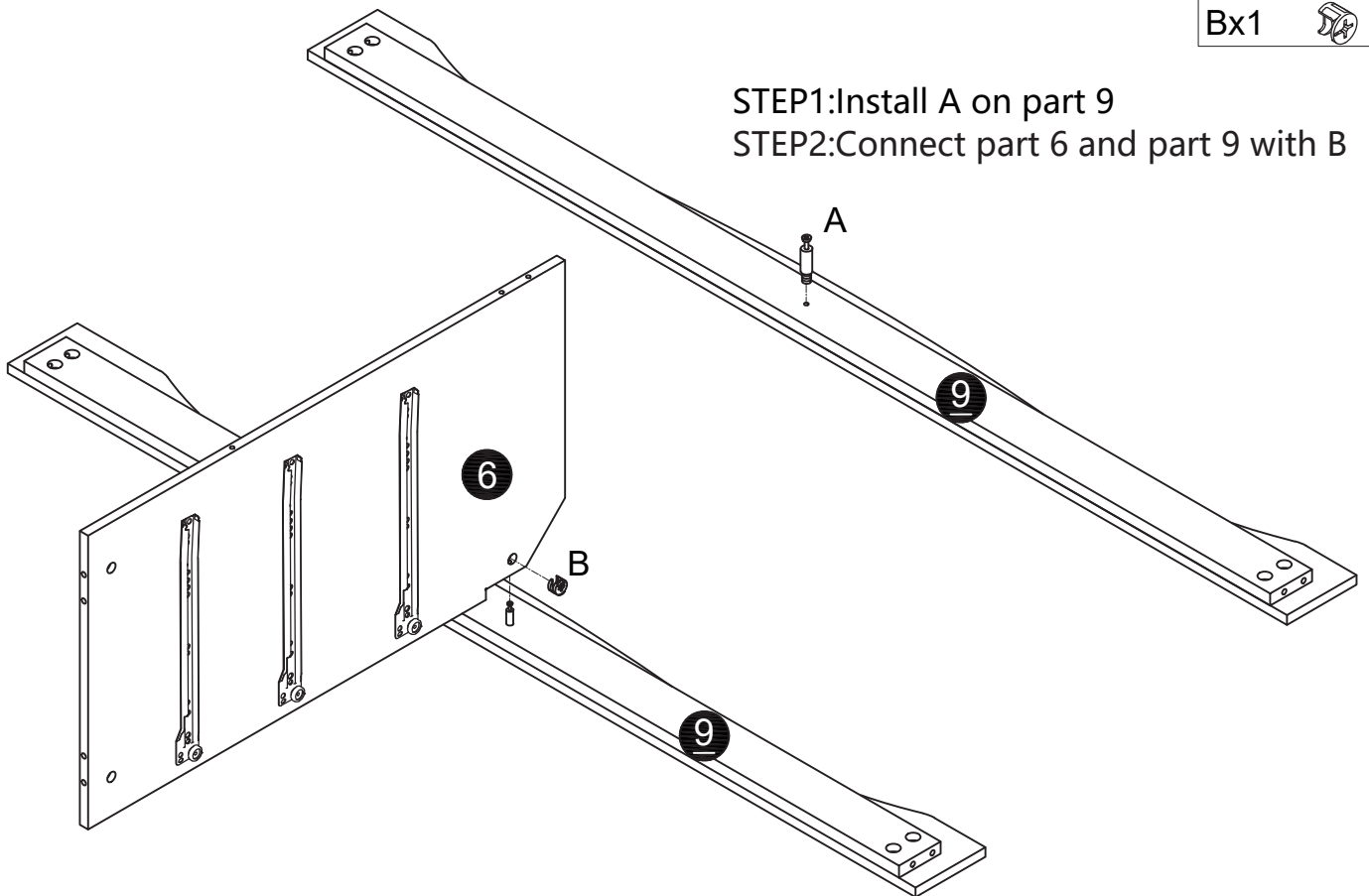
- Ax20 
- Hx18 
- O CRx3 
- O CLx3 



07

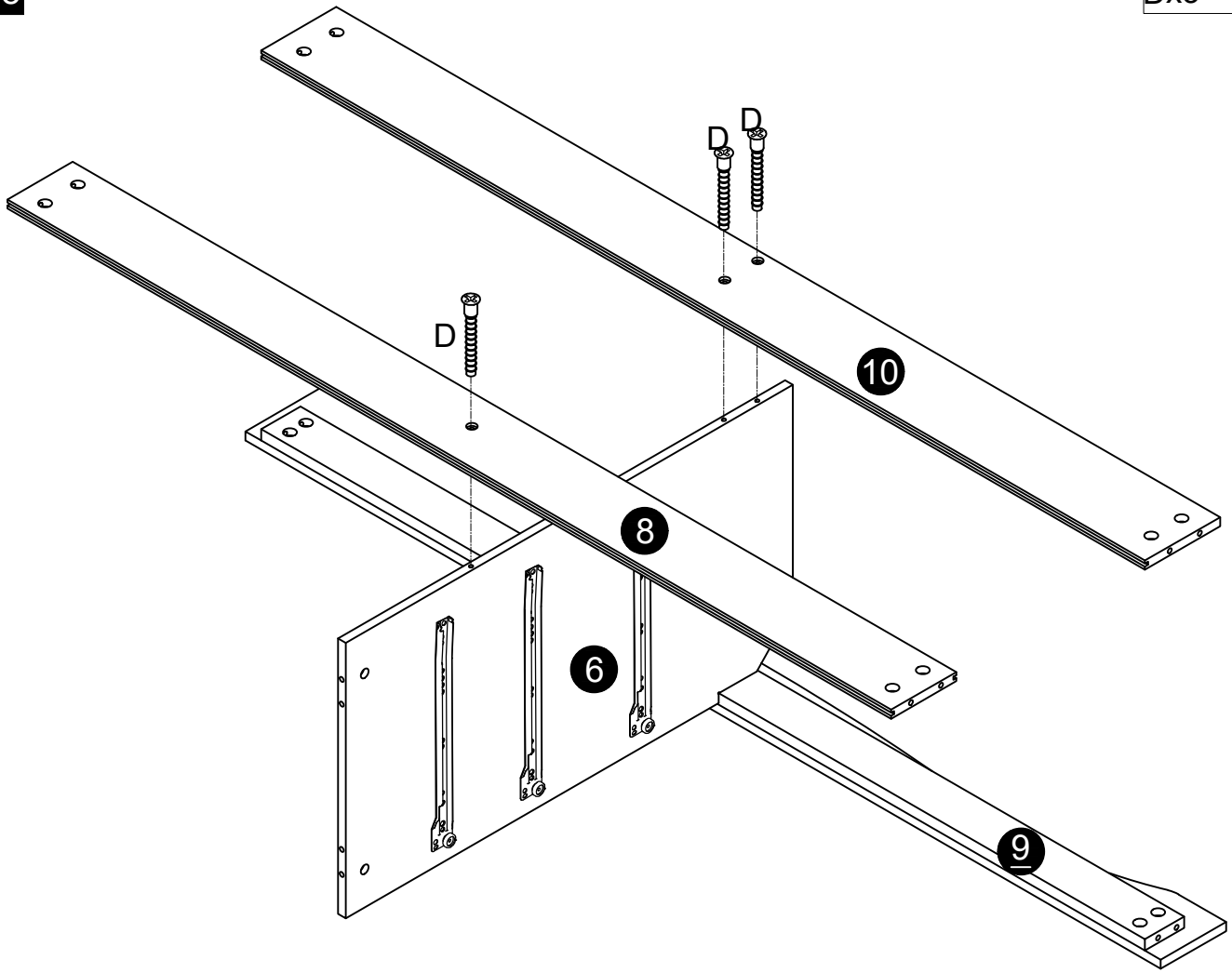
- Ax1 
- Bx1 

STEP1: Install A on part 9  
STEP2: Connect part 6 and part 9 with B



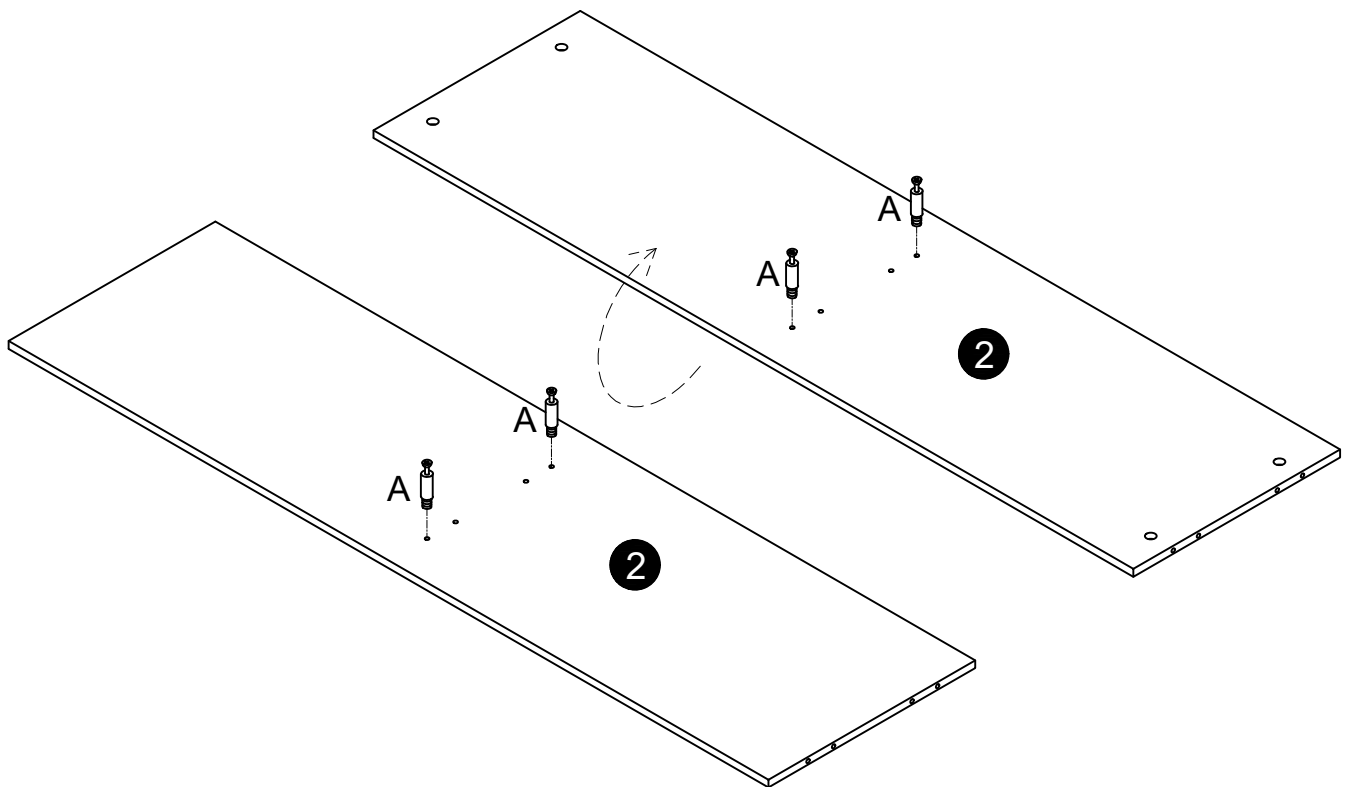
08

Dx3 



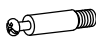


09

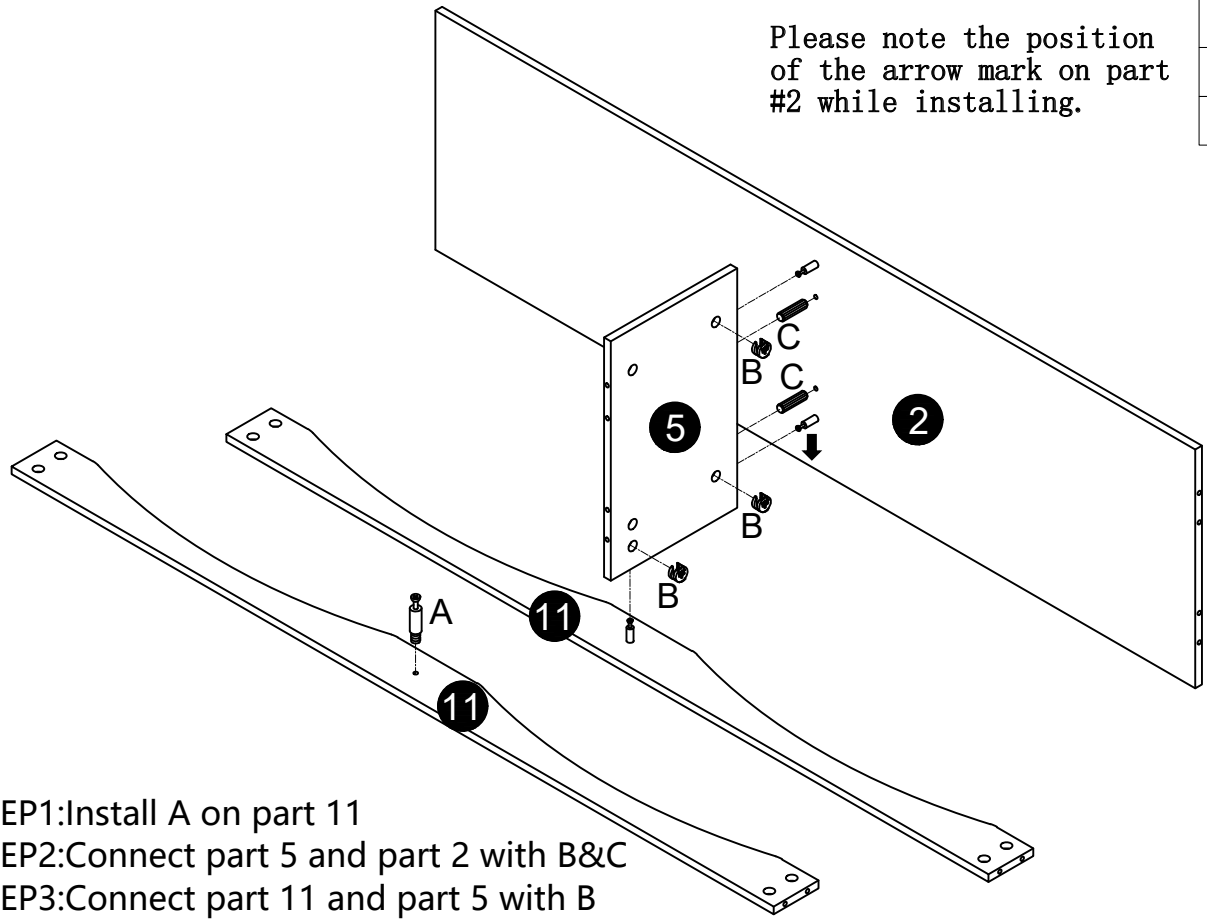
Ax4 



10



Please note the position of the arrow mark on part #2 while installing.

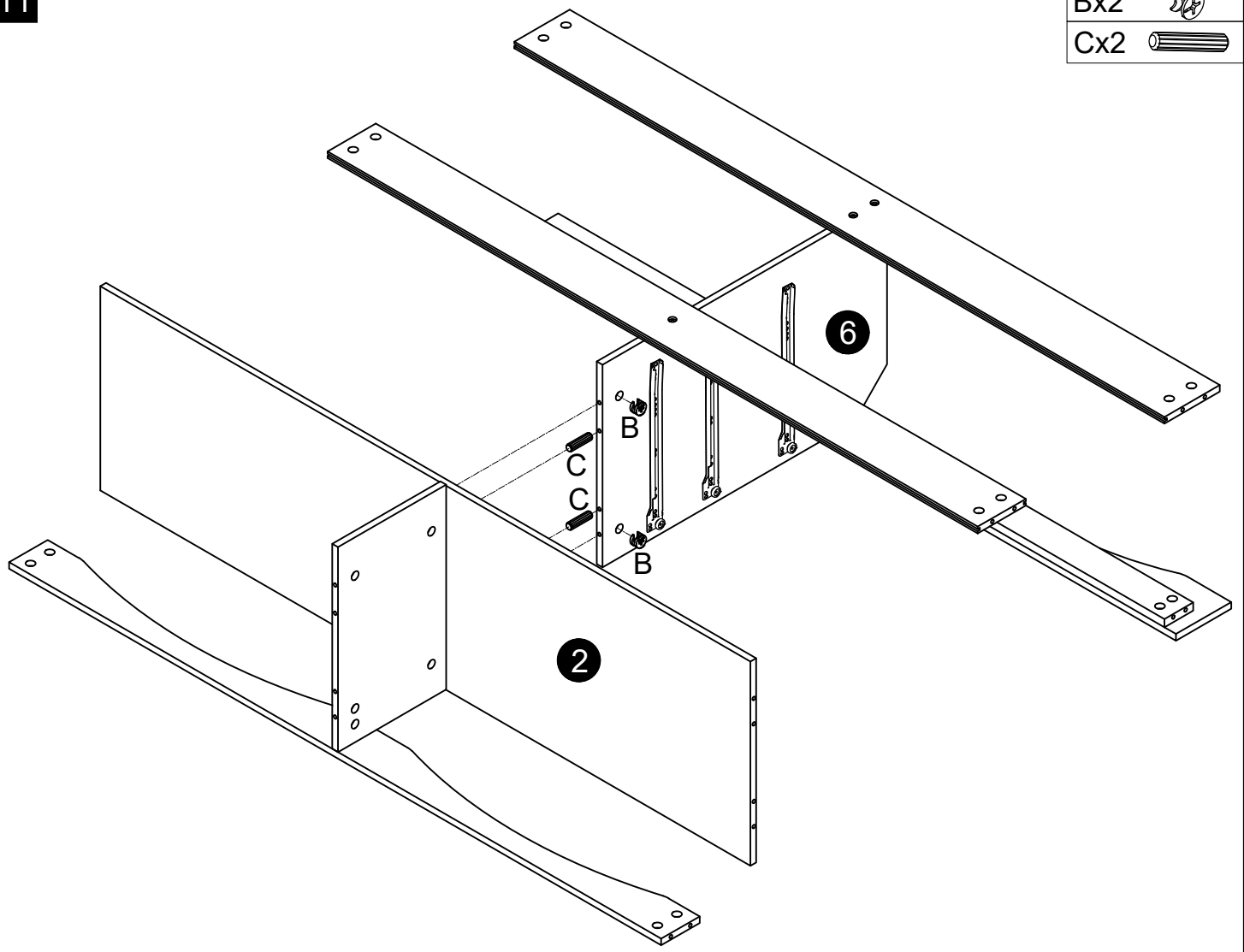
- Ax1 
- Bx3 
- Cx2 





STEP1: Install A on part 11  
 STEP2: Connect part 5 and part 2 with B & C  
 STEP3: Connect part 11 and part 5 with B

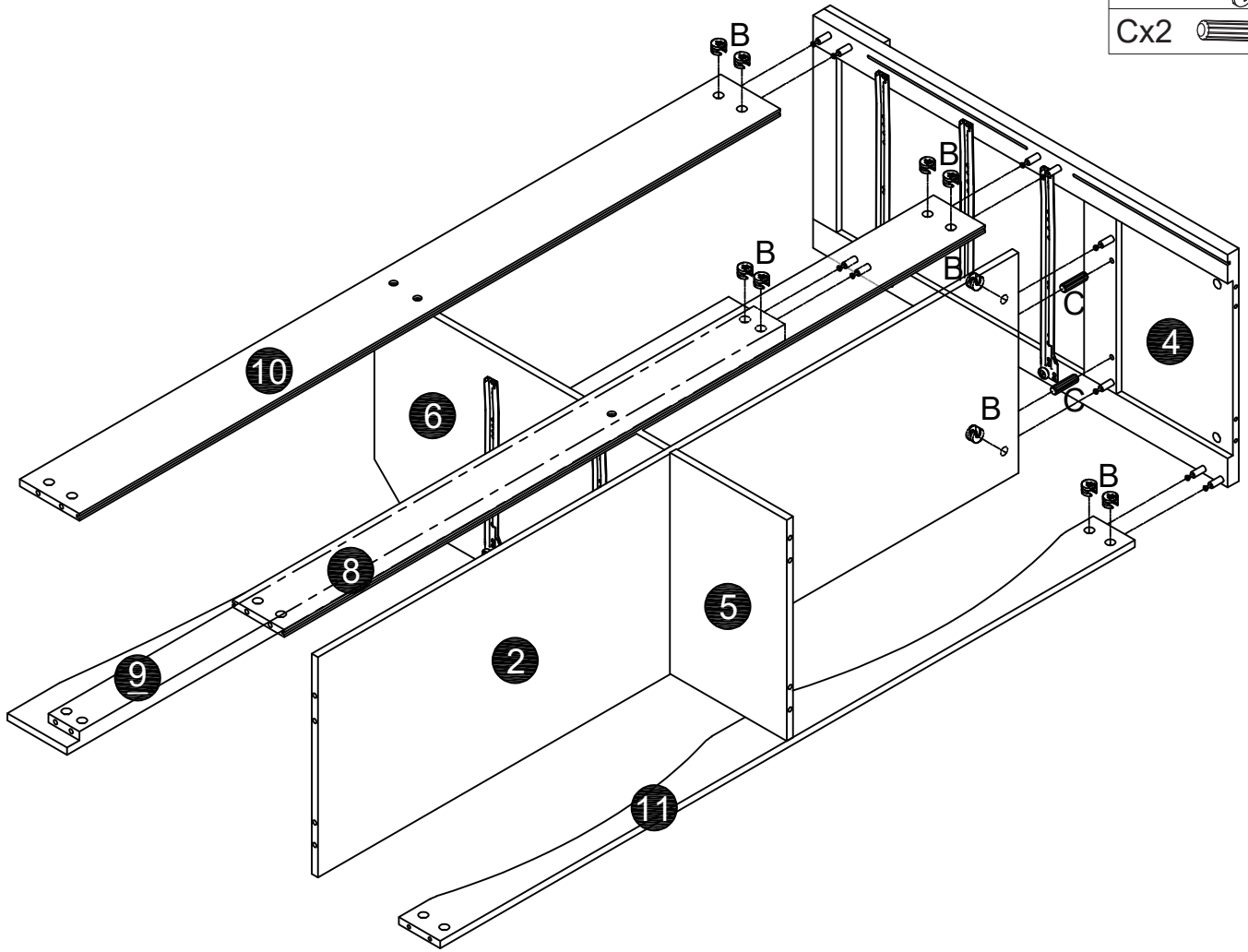
11

- Bx2 
- Cx2 

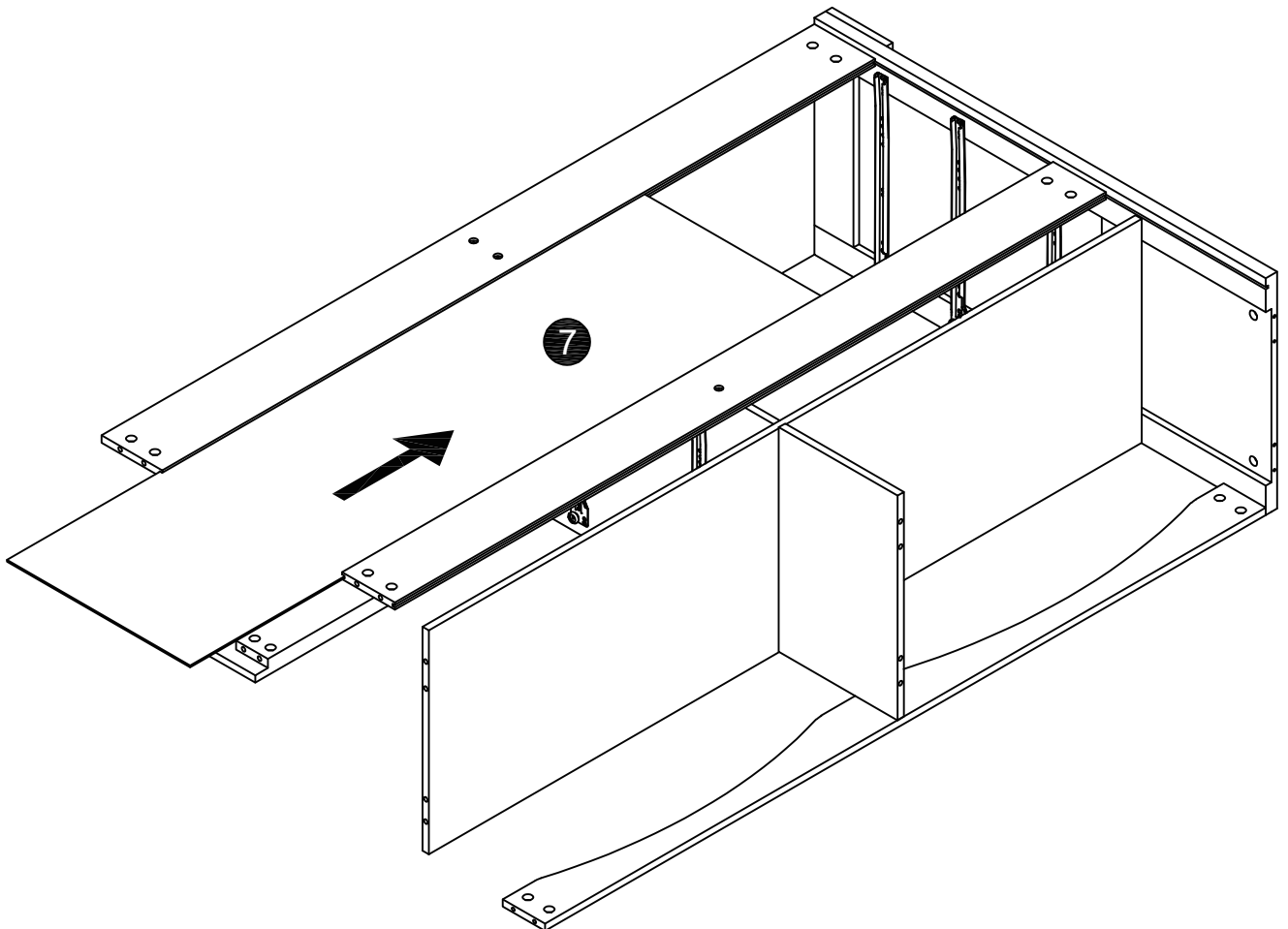


12



Bx10   
Cx2 

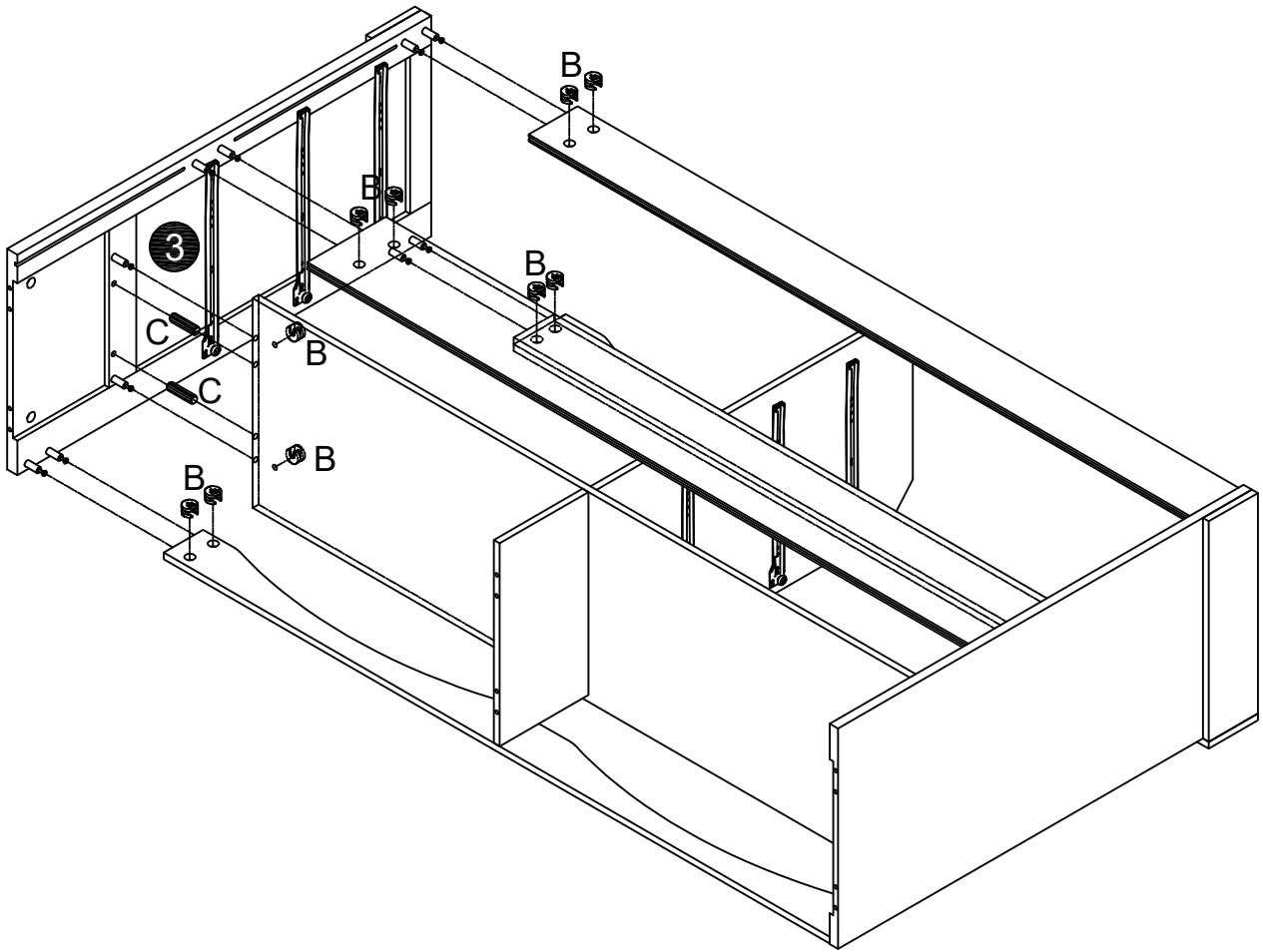


13

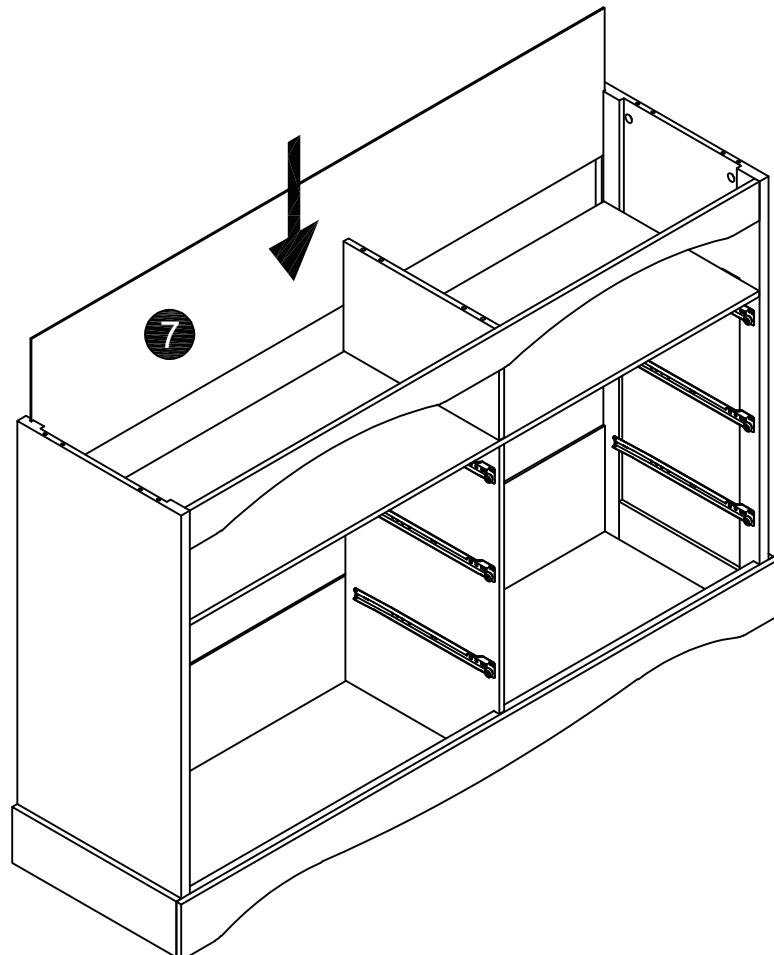


14

Bx10   
Cx2 

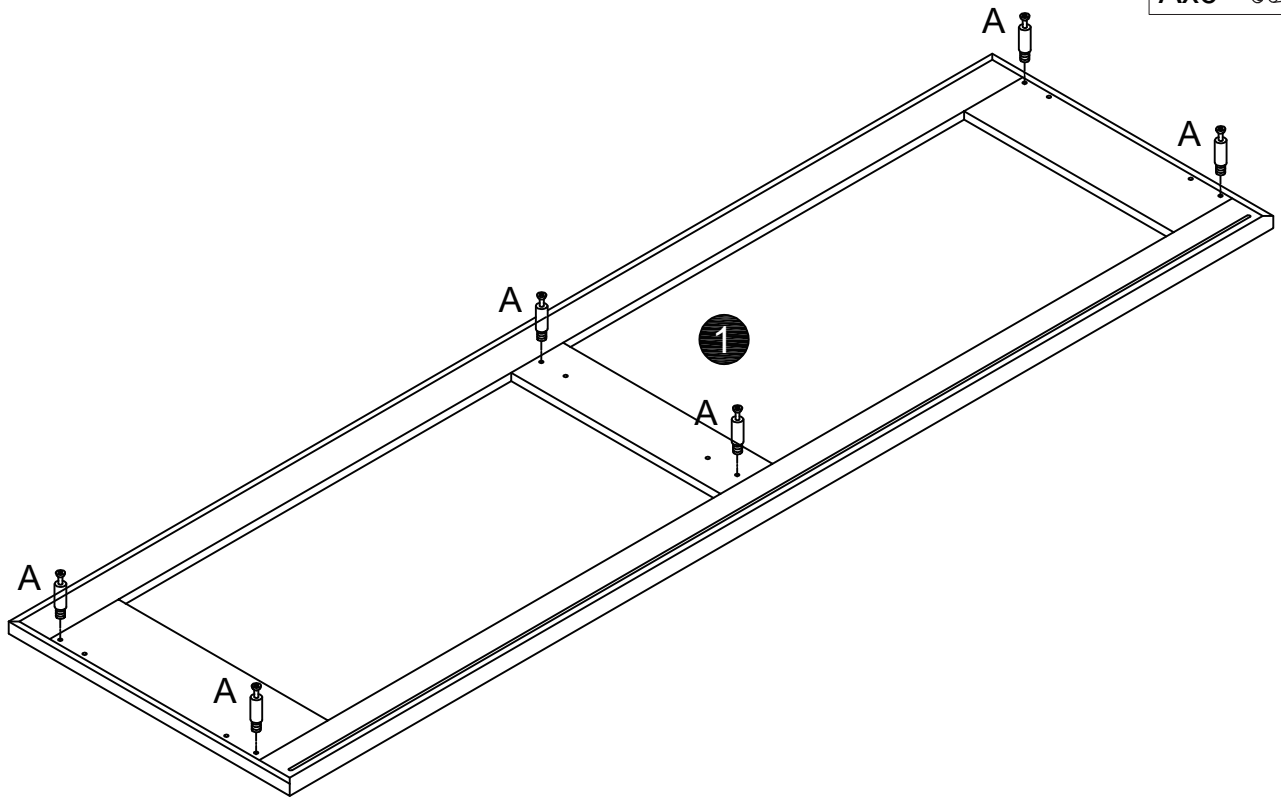


15





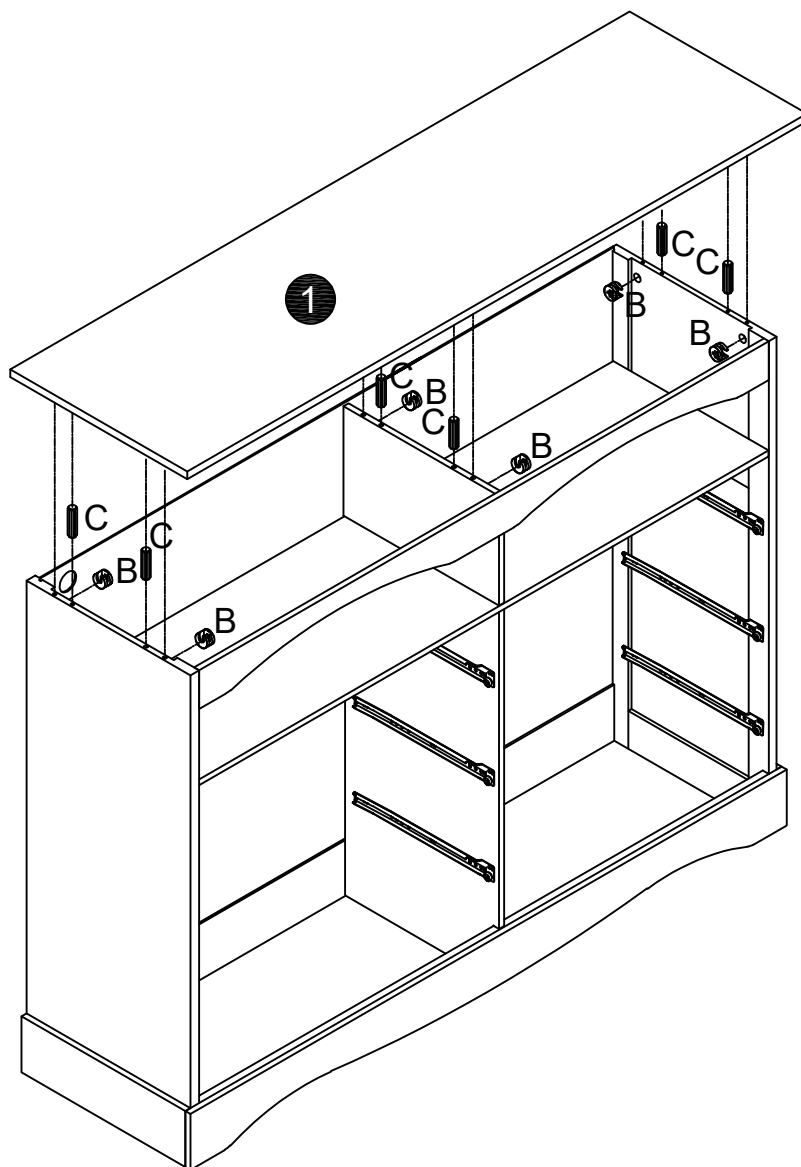
16

Ax6 




17


Bx6   
Cx6 

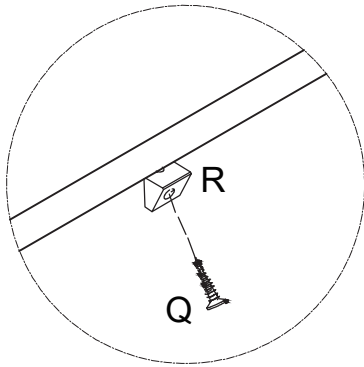


Qx10 

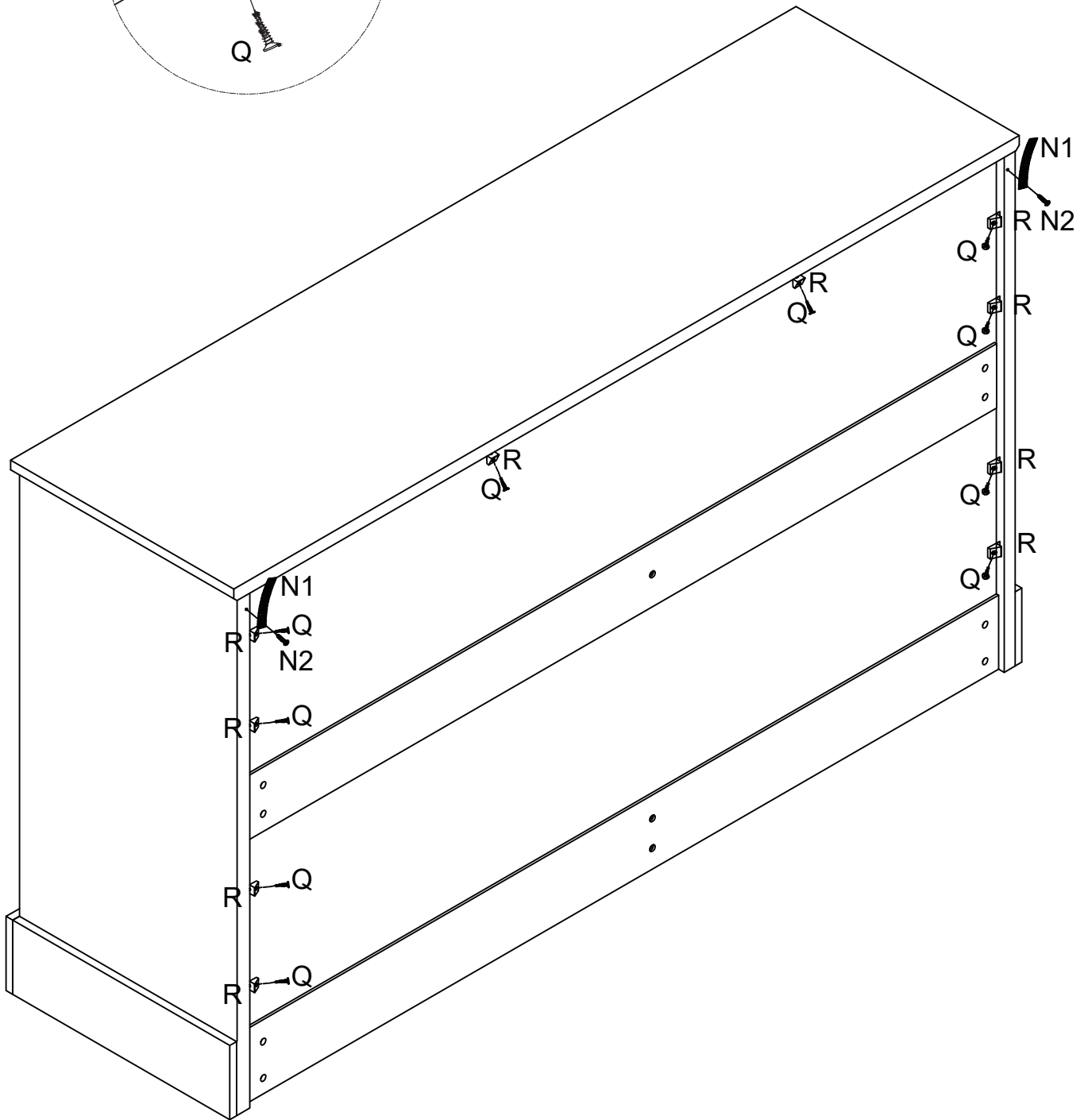
Rx10 

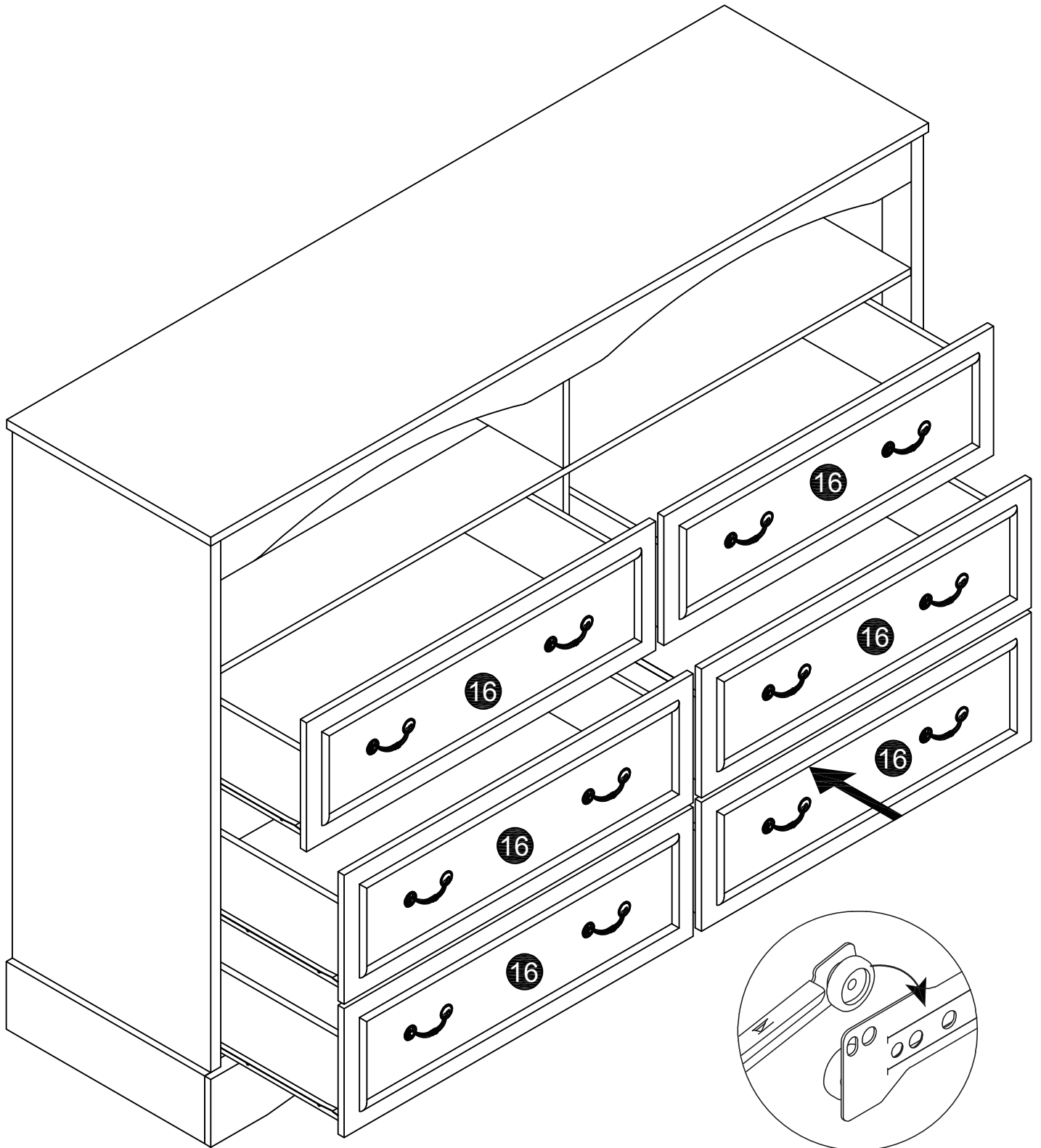
N1x2 

N2x2 



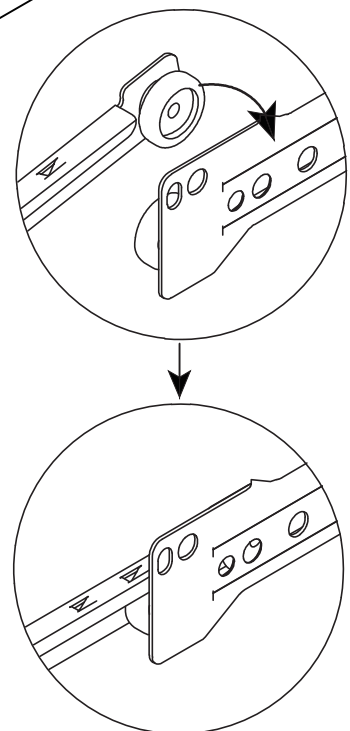
Install backboard nails can effectively enhance the stability of hte product and extend the life span of the product.





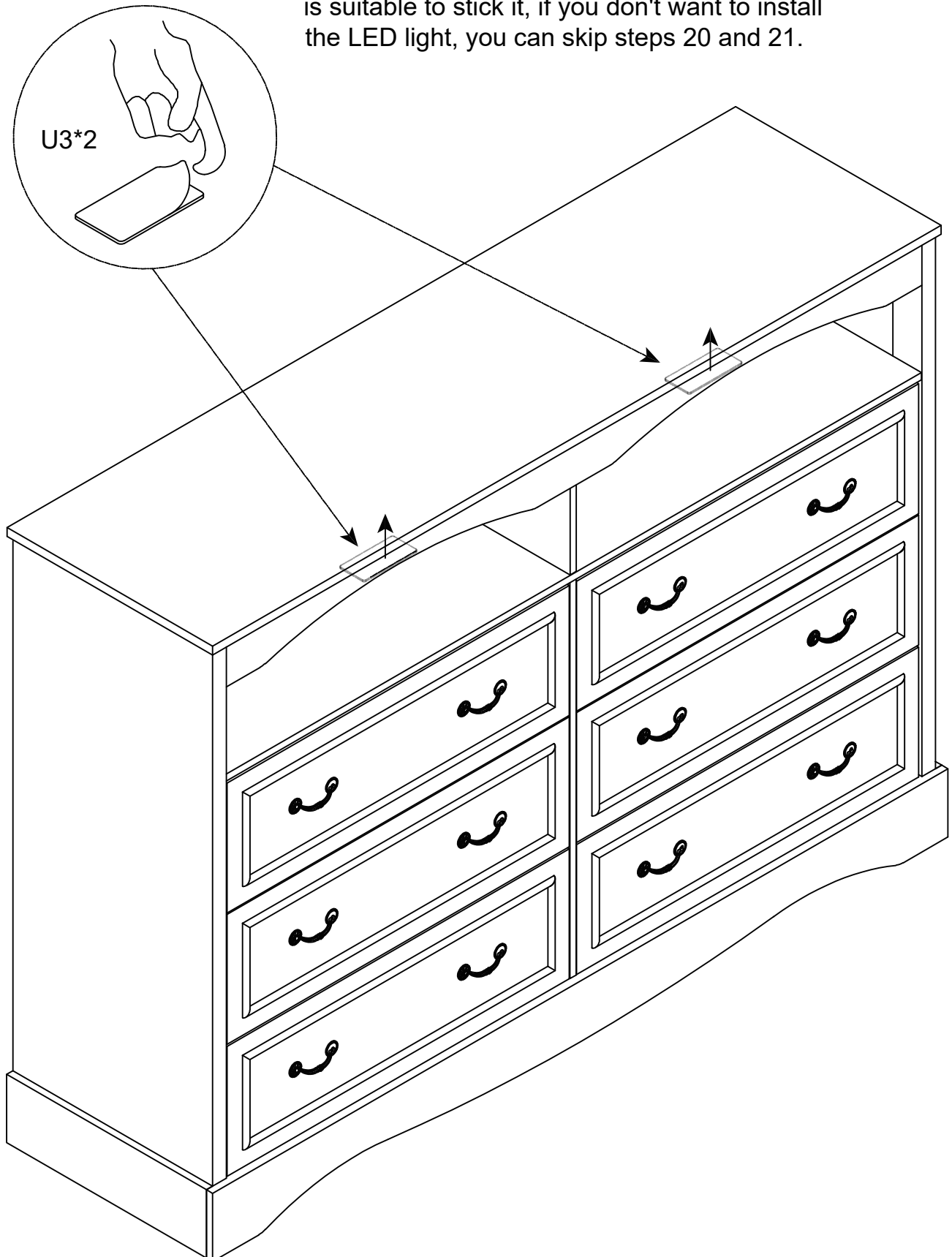
Attention: Align the slide runners on the drawer with the unit and push it carefully inside until it stops.



If the drawer does not go in smoothly please take it out and repeat the step.

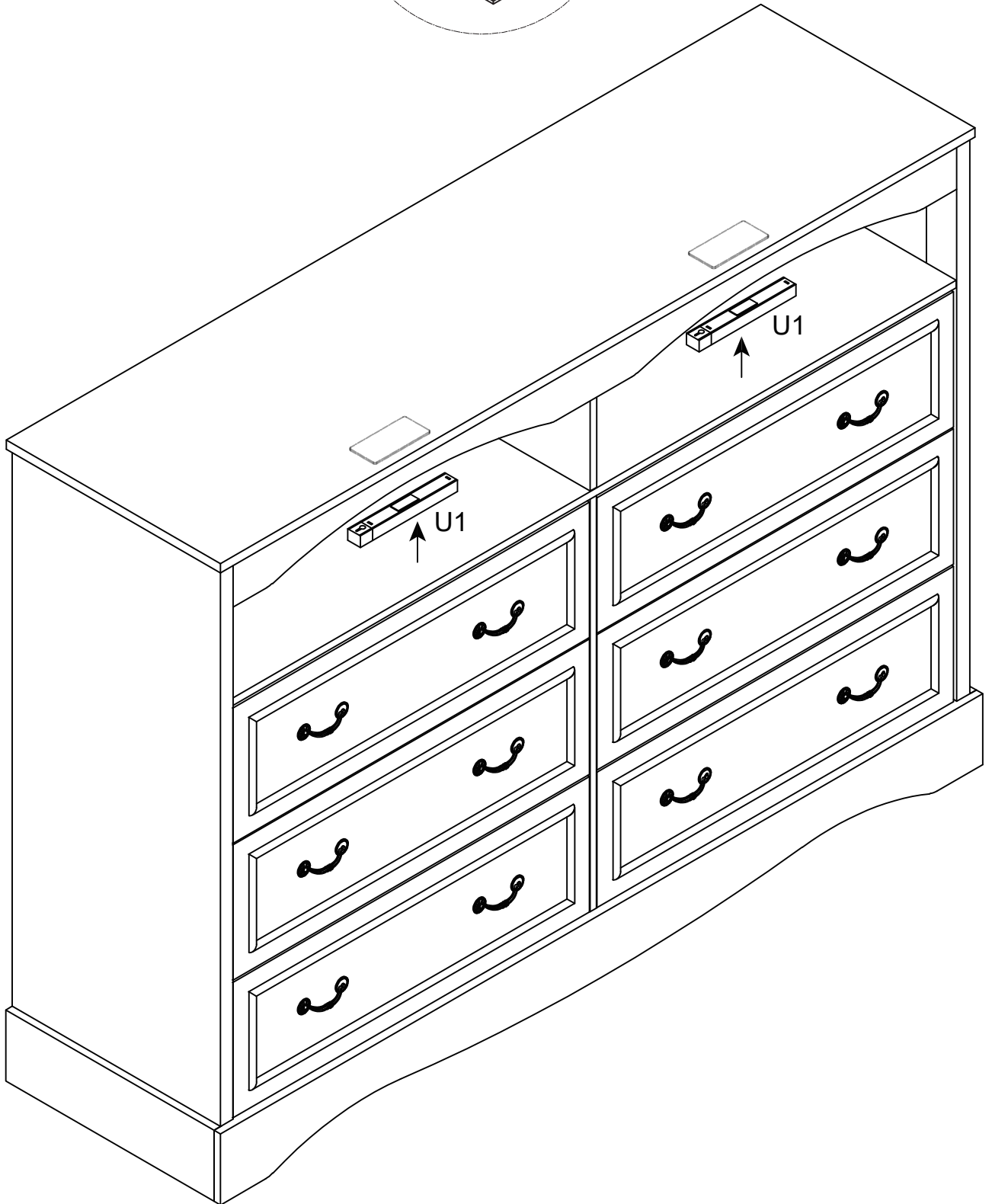
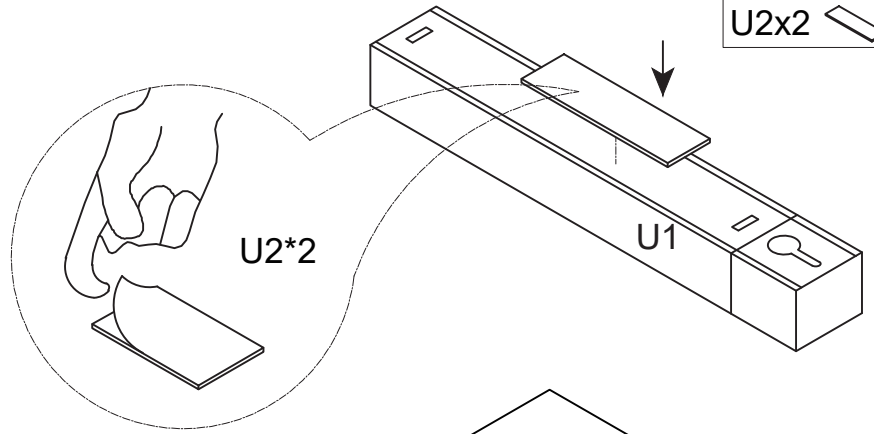


Tear off the paper on the back of U and stick U on the bottom of the top plate in a suitable position.

※ The position where U is stuck determines the position of the LED light, please choose the position you think is suitable to stick it, if you don't want to install the LED light, you can skip steps 20 and 21.

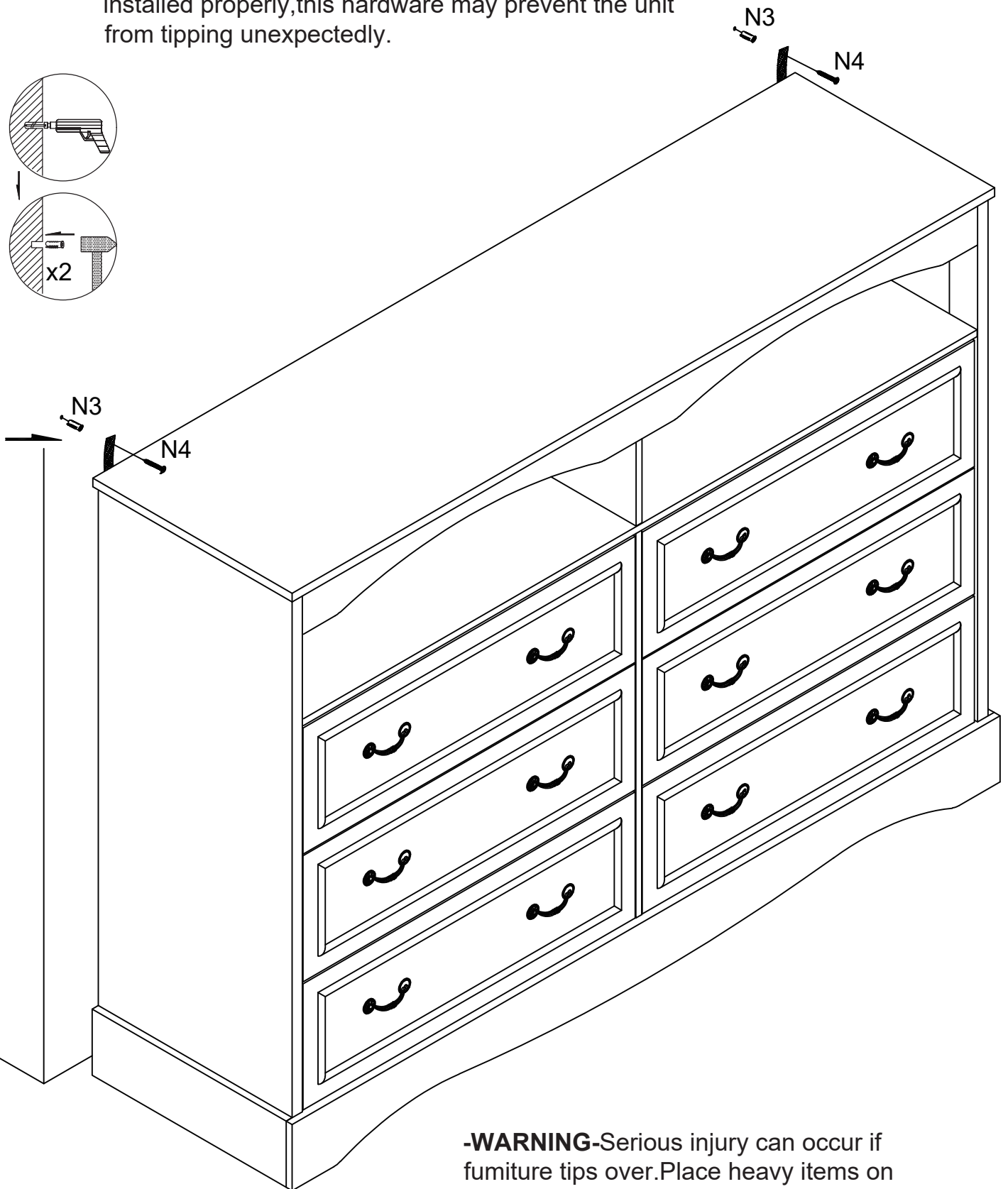
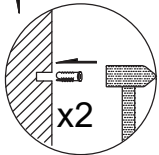
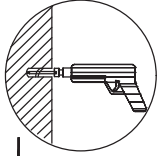


- U1x2 
- U2x2 



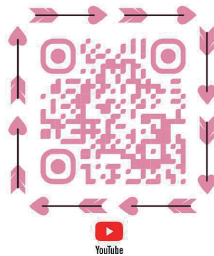
**MANDATORY!**

For safety reasons, we recommend you follow these instructions to install the anti-tipping hardware, when installed properly, this hardware may prevent the unit from tipping unexpectedly.



**-WARNING-** Serious injury can occur if furniture tips over. Place heavy items on lower shelves and as far back as possible.

Follow our media account to get Discounts and More New Arrivals!



Model : JFLDG2502/JFLDG2503/JFLDG2504  
Shandong Janfly Home Collection Co.,Ltd.  
ADD: No. 66, Laotawan Village, Louzhuang Town,  
Cao County, Heze City, Shandong Province, China

Customer Service Emails  
US@JANFLY.COM  
EU@JANFLY.COM

Made in China

Model : JFLDG2502/JFLDG2503/JFLDG2504  
Shandong Janfly Home Collection Co.,Ltd.  
ADD: No. 66, Laotawan Village, Louzhuang Town,  
Cao County, Heze City, Shandong Province, China

Customer Service Emails  
US@JANFLY.COM  
EU@JANFLY.COM

