

Assembly Instruction

Decorate your home, Brighten wonderful life

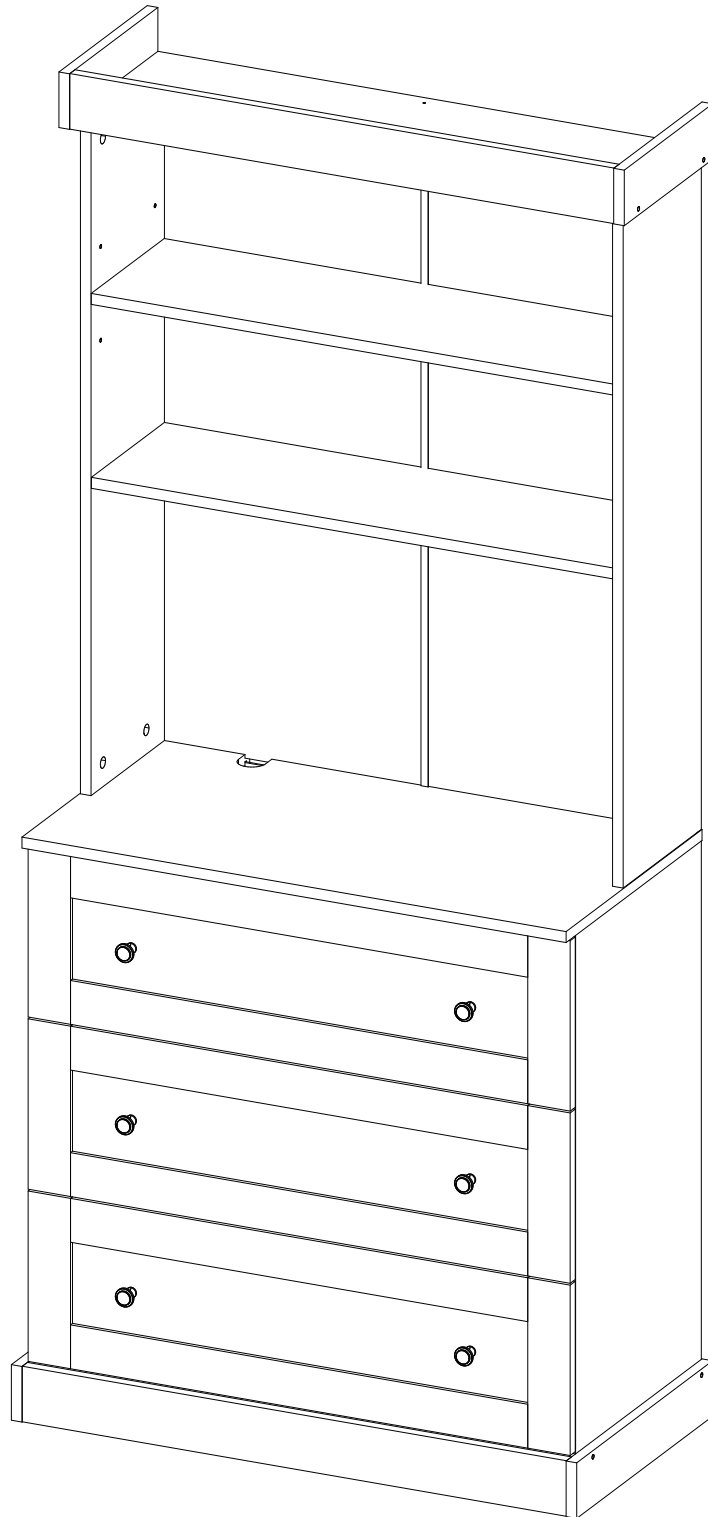
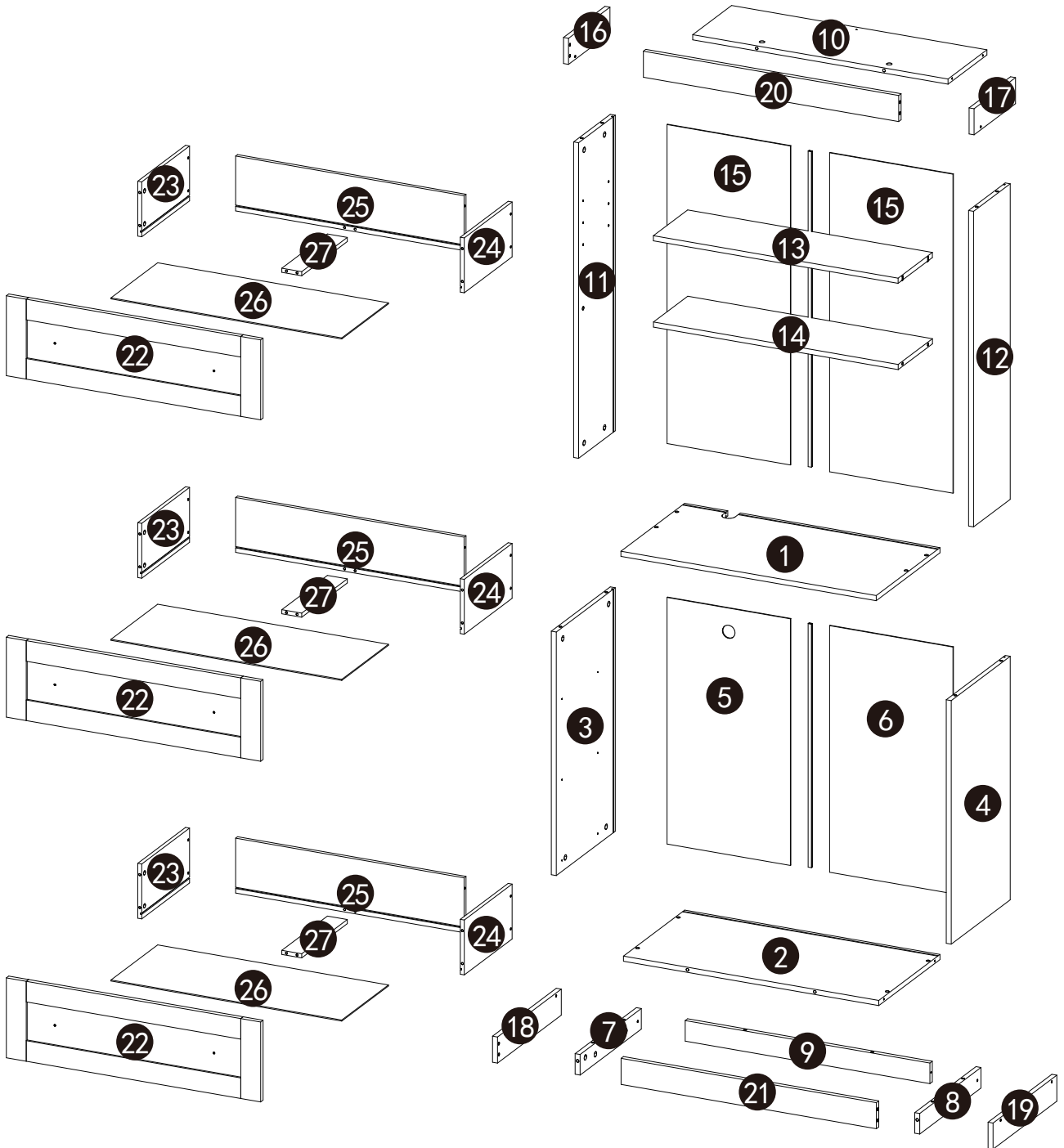
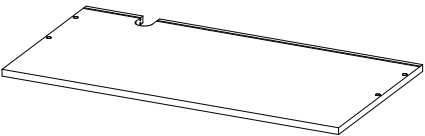
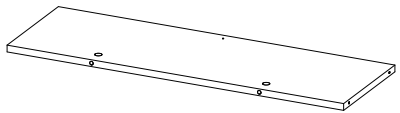
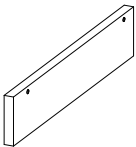
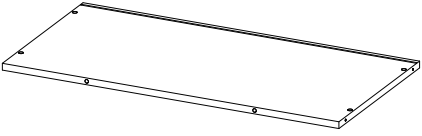
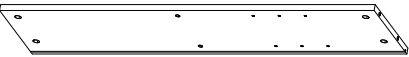
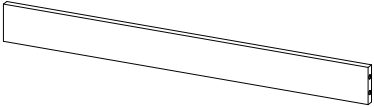
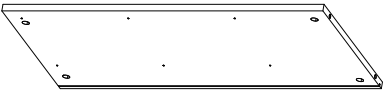
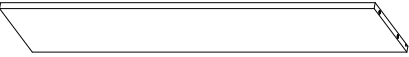
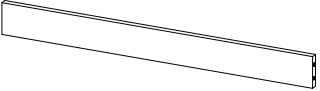
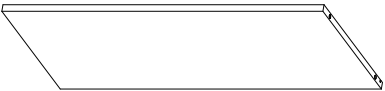
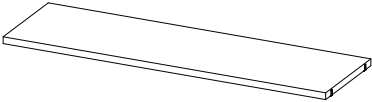
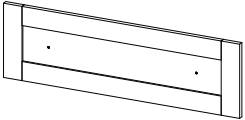
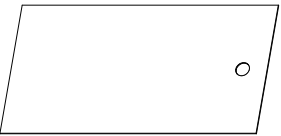
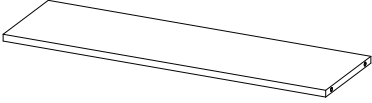
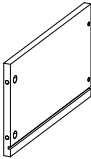


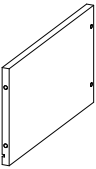
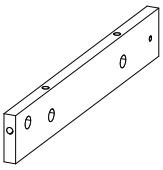
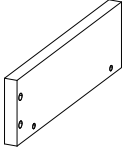
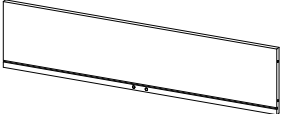
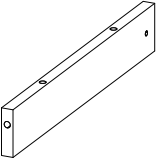
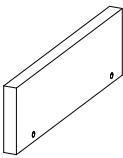

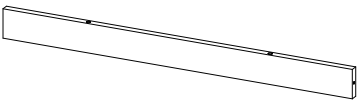
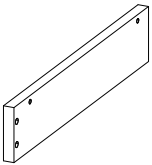
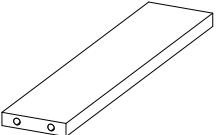


Plate number




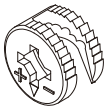
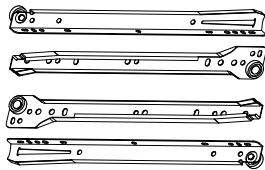
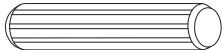
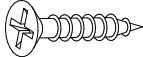

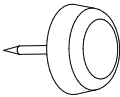
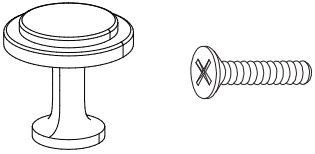
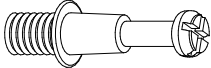




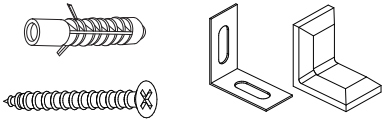
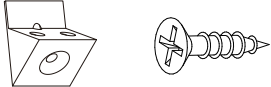

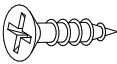
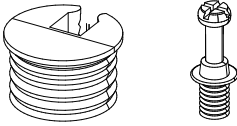
PARTS LIST

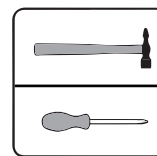
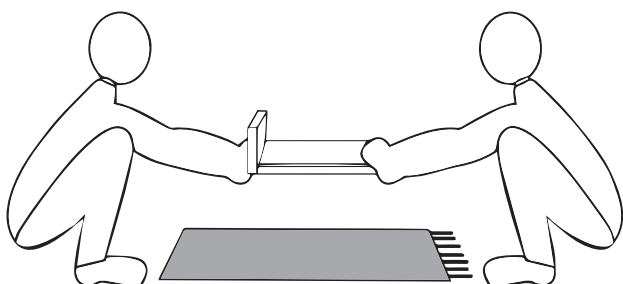
Unit: (mm)

1  x1 PC	10  x1 PC	19  x1 PC
2  x1 PC	11  x1 PC	20  x1 PC
3  x1 PC	12  x1 PC	21  x1 PC
4  x1 PC	13  x1 PC	22  x3 PC
5  x1 PC	14  x1 PC	23  x3 PC
6  x1 PC	15  x2 PC	24  x3 PC
7  x1 PC	16  x1 PC	25  x3 PC
8  x1 PC	17  x1 PC	26  x3 PC
9  x1 PC	18  x1 PC	27  x3 PC

ACCESSORIES LIST

Unit: (mm)

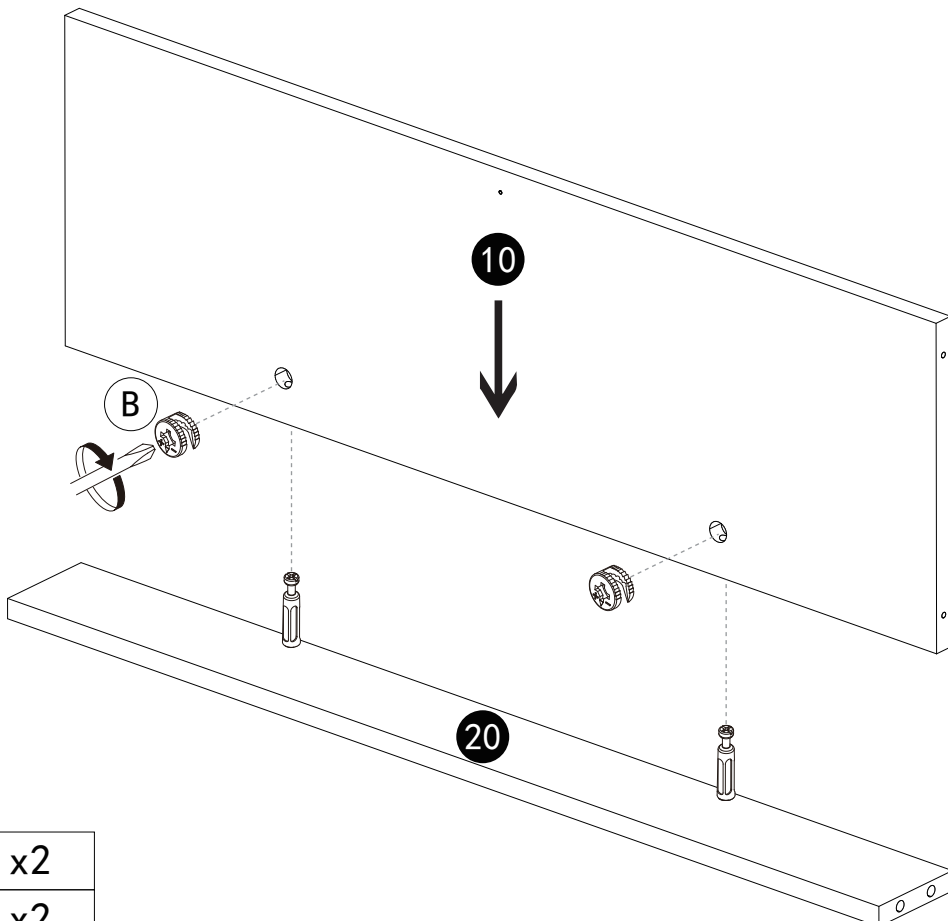
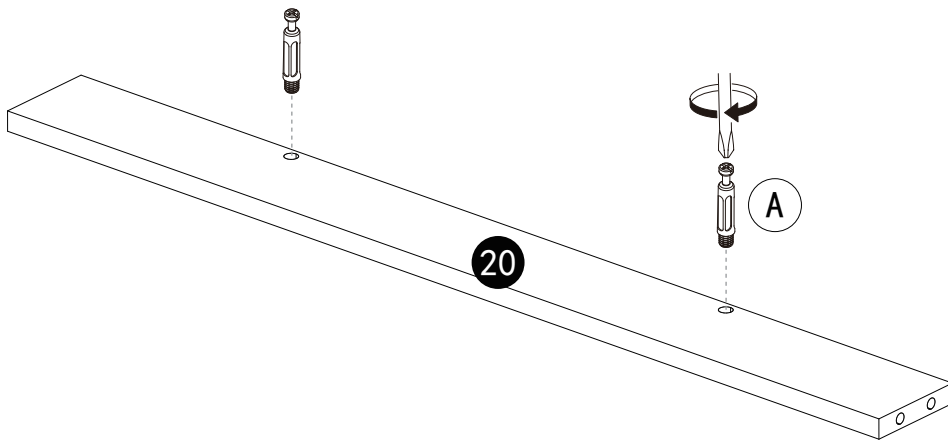
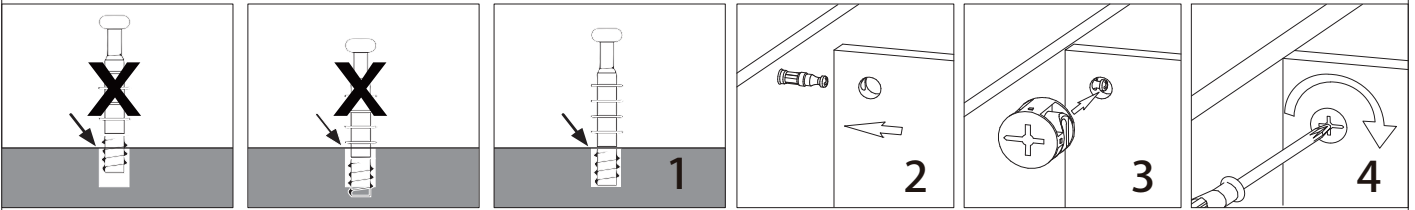
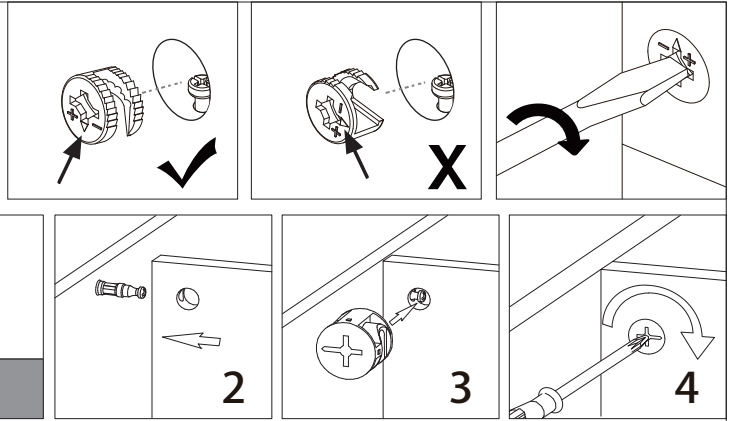
<p>A 6x40 x32 PC</p> 	<p>B 15x11 x32 PC</p> 	<p>C 12 inches x3 PC</p> 
<p>D 8x40 x8 PC</p> 	<p>E M3.5x14 x13 PC</p> 	<p>F M5x40/#3 x22 PC/x1 PC</p> 
<p>G Ø12x5 x12 PC</p> 	<p>H M4x8 x6 PC</p> 	<p>J 6x25 x12 PC</p> 
<p>K 12x10 x12 PC</p> 	<p>L 21mm x24 PC</p> 	<p>M 710mm x1 PC</p> 
<p>N 920mm x1 PC</p> 	<p>O M4x50/8x40 x1 PC</p> 	<p>P M3x14 x20 PC</p> 
<p>Q 6x40 x12 PC</p> 	<p>R M3x12 x12 PC</p> 	<p>S 21x12 x4 PC</p> 





INSTALLATION INSTRUCTION

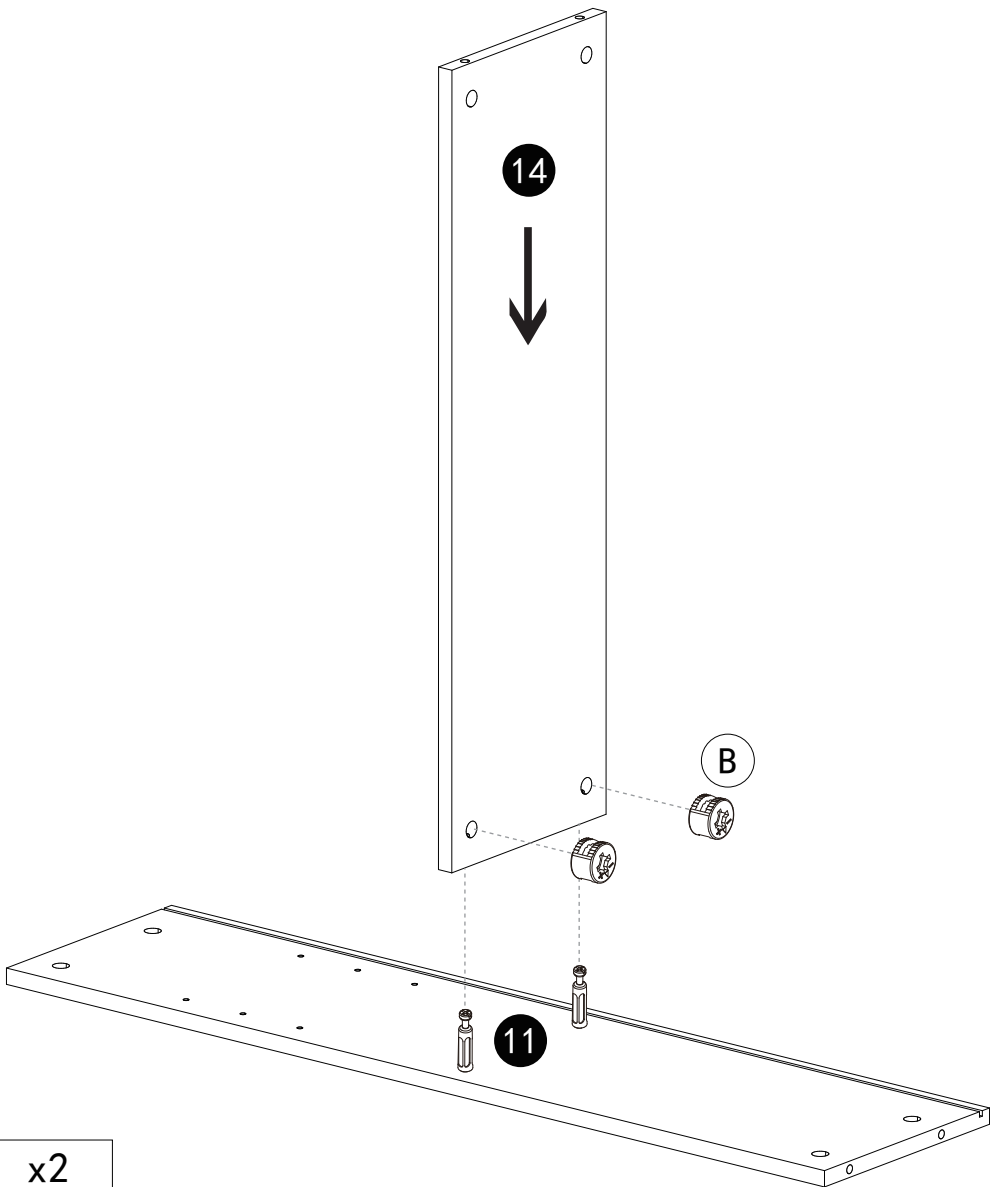
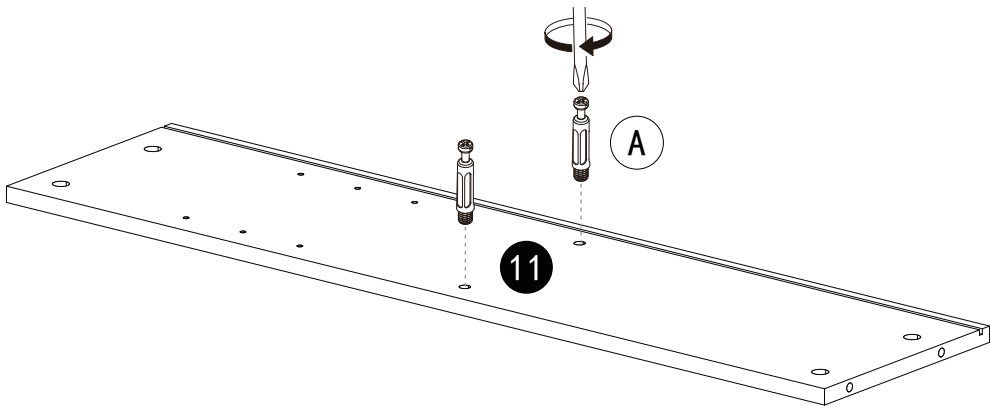
STEP 1



Installation method of three in one rod and buckle



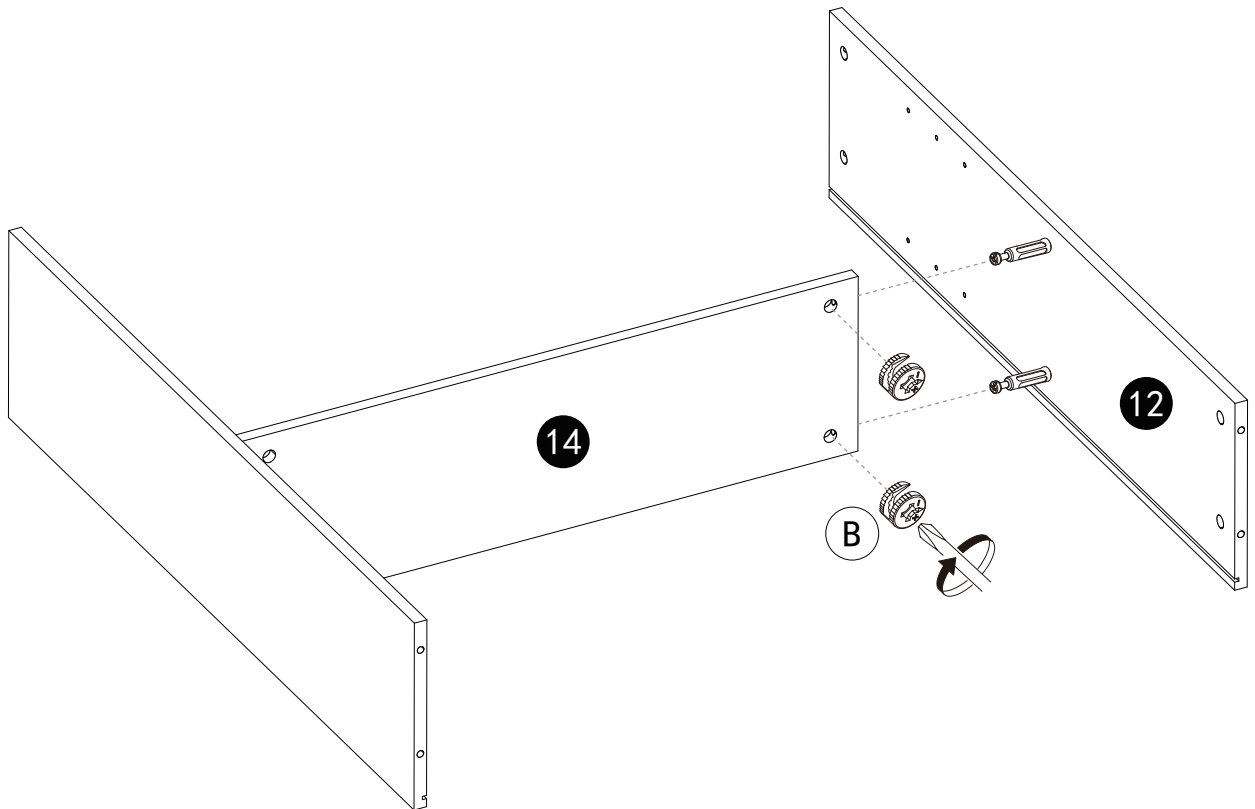
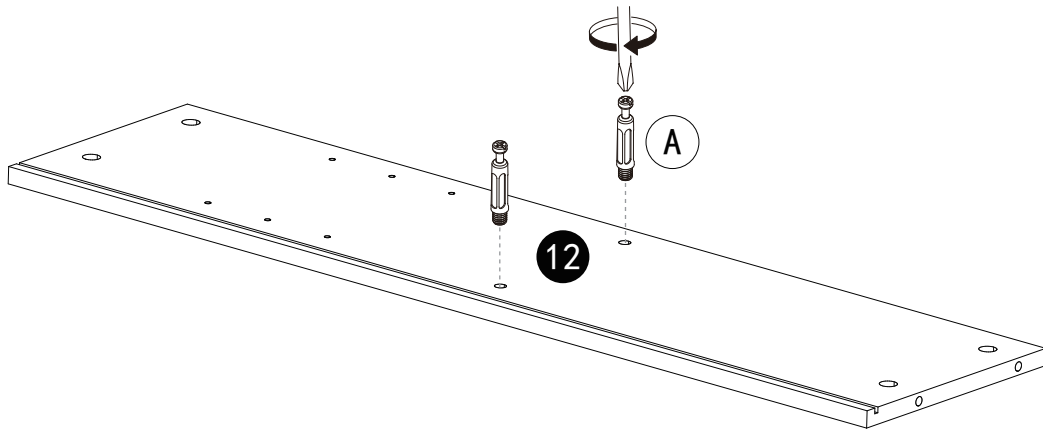
A		x2
B		x2



STEP 2



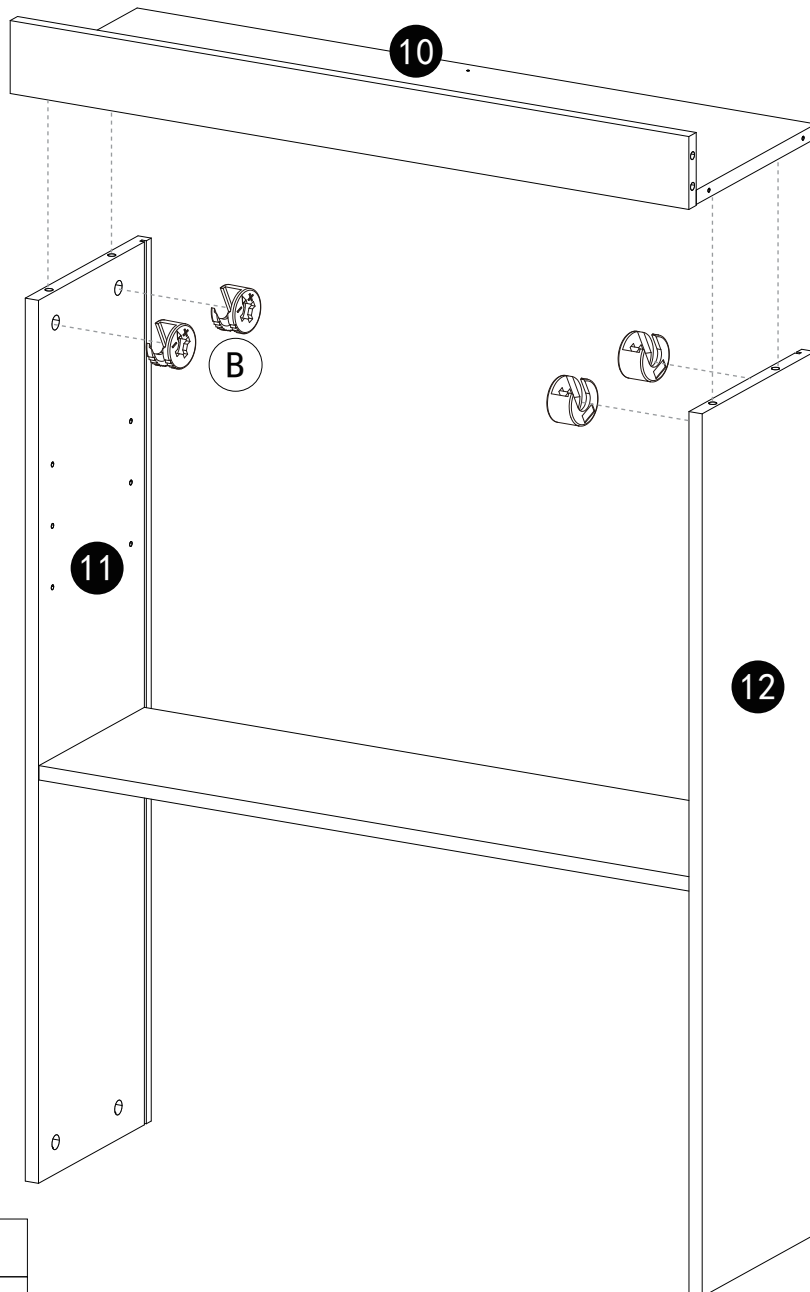
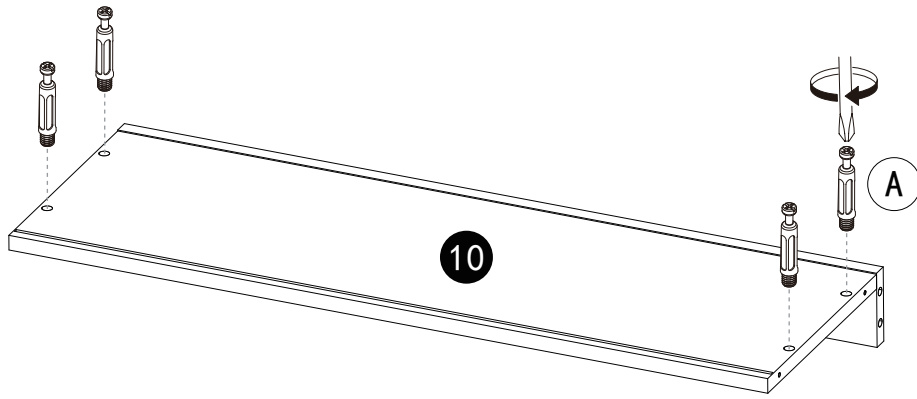
A		x2
B		x2



STEP 3



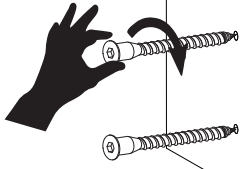
A		x2
B		x2

STEP 4



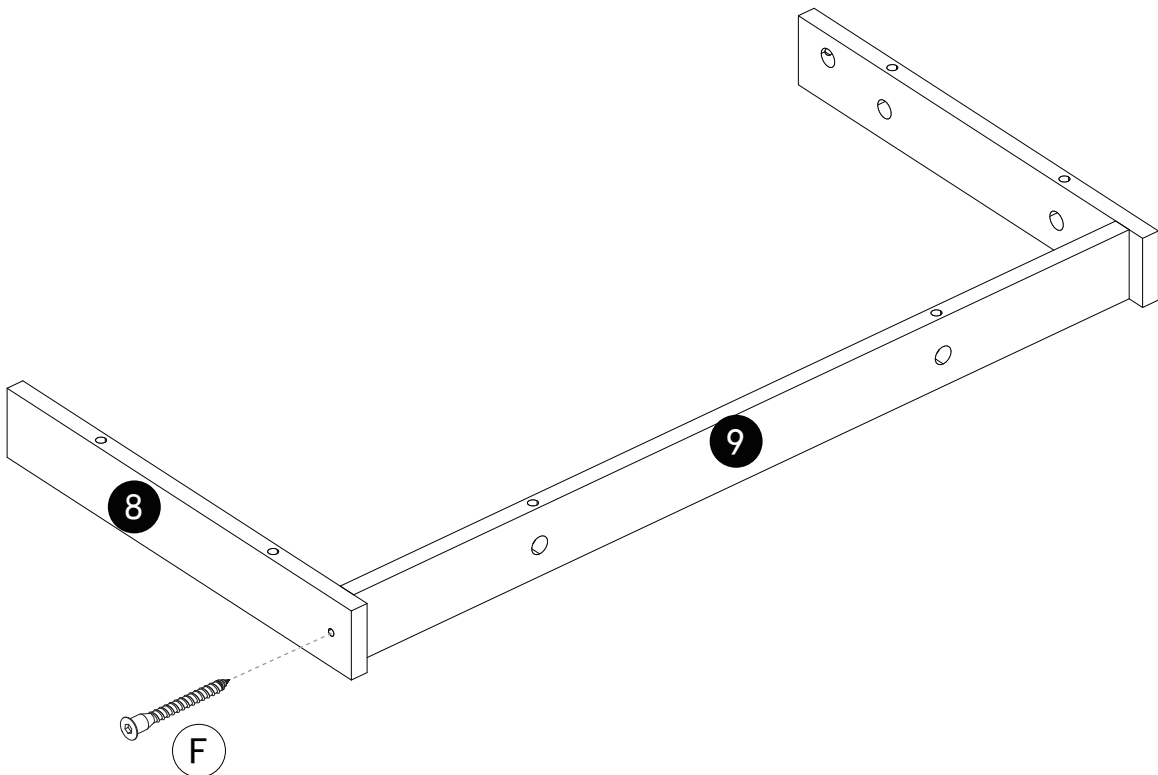
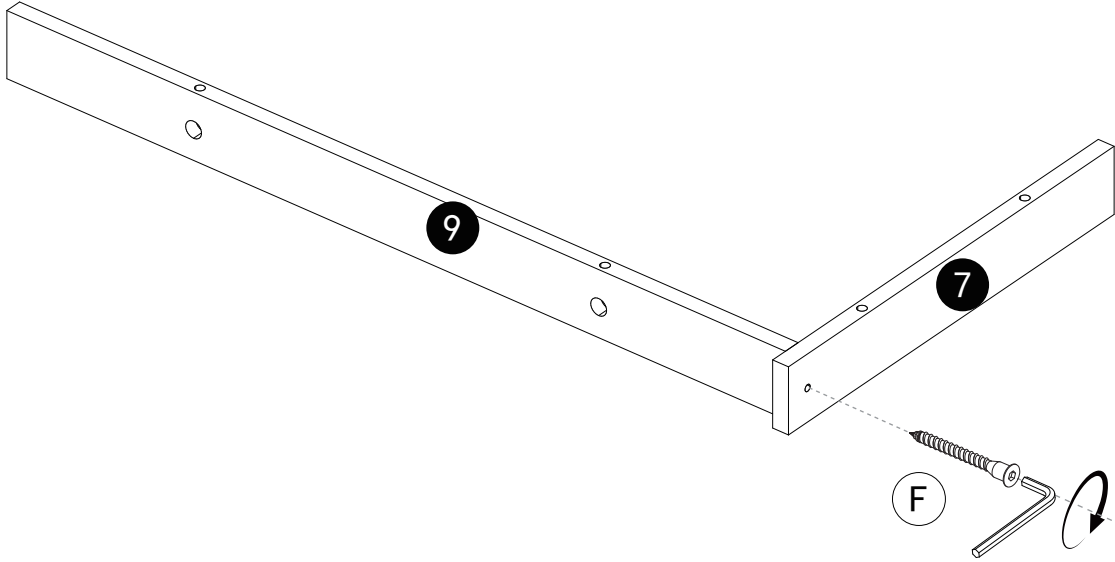
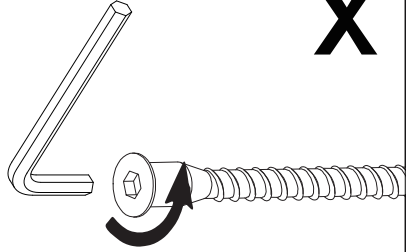
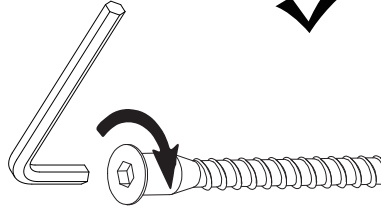
A		x4
B		x4

STEP 5



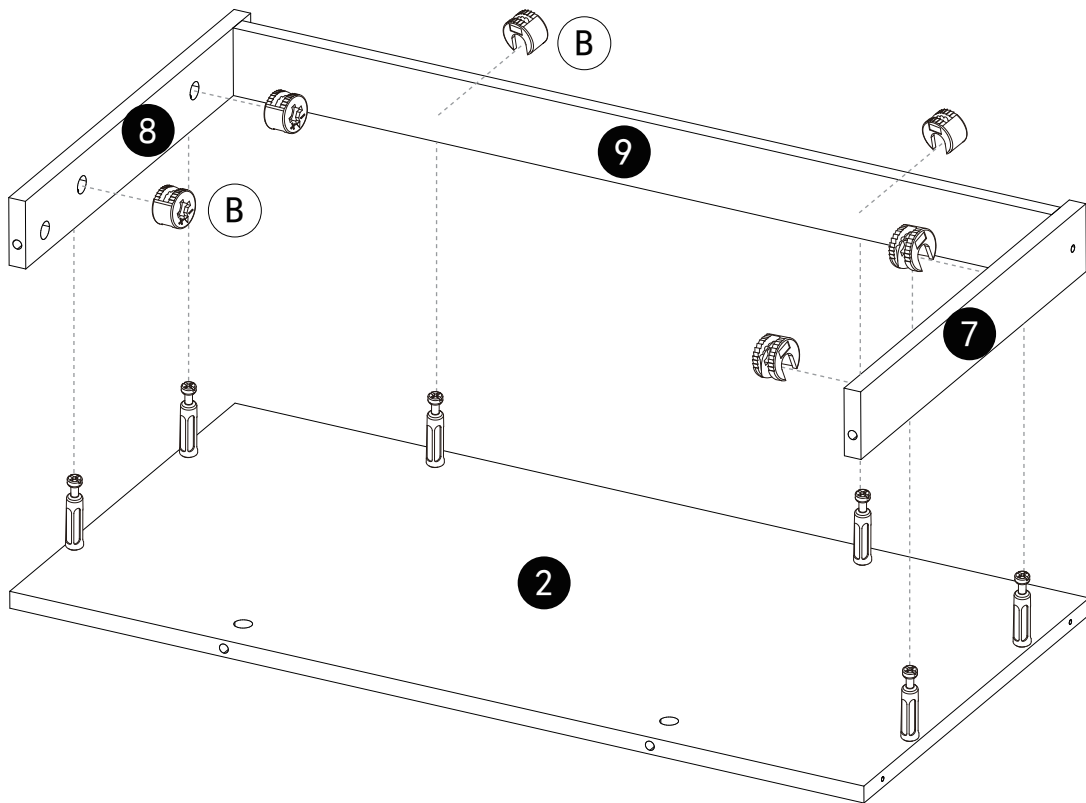
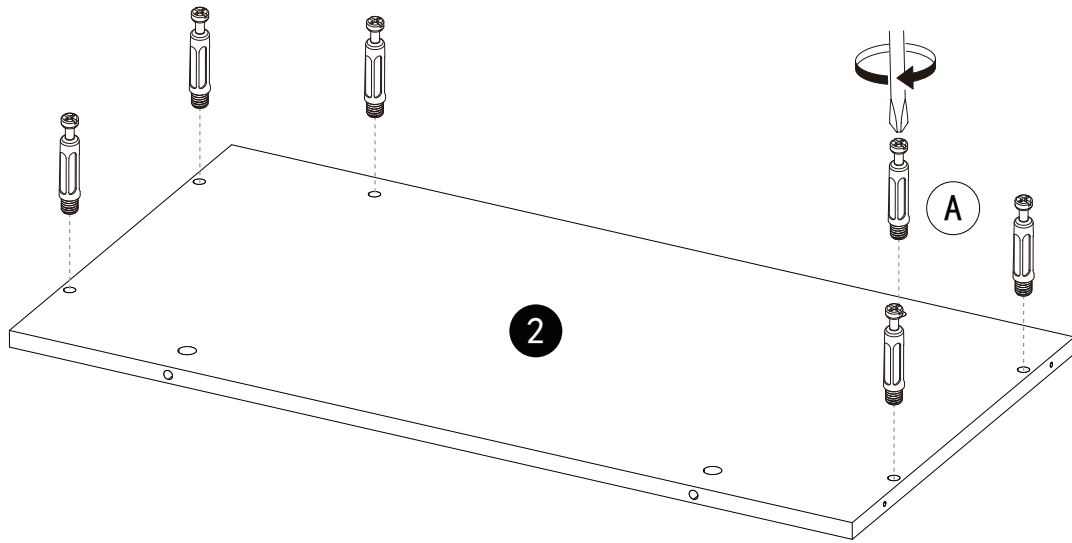
1



2



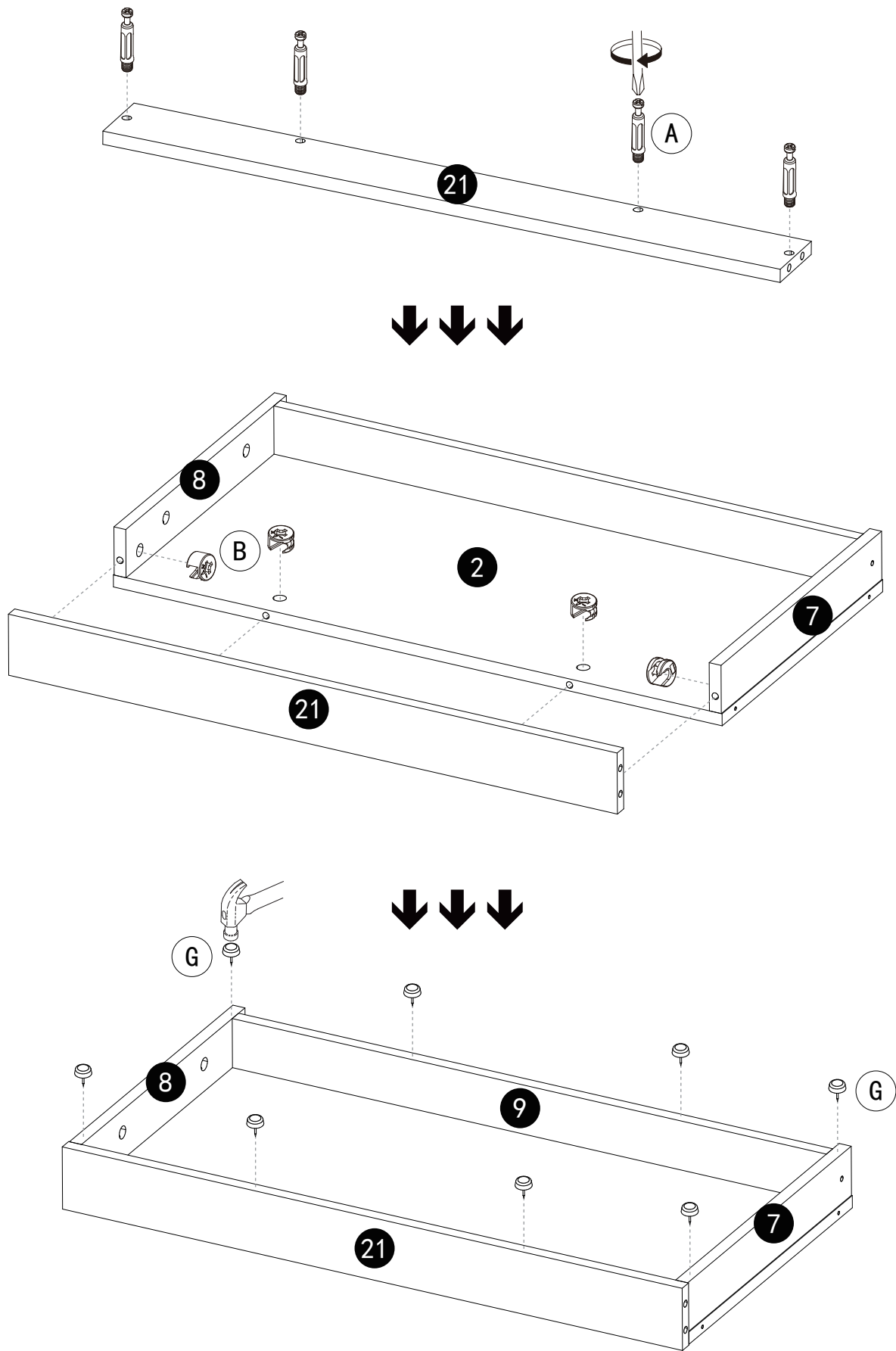
F		x2
---	---	----

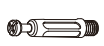

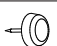
STEP 6



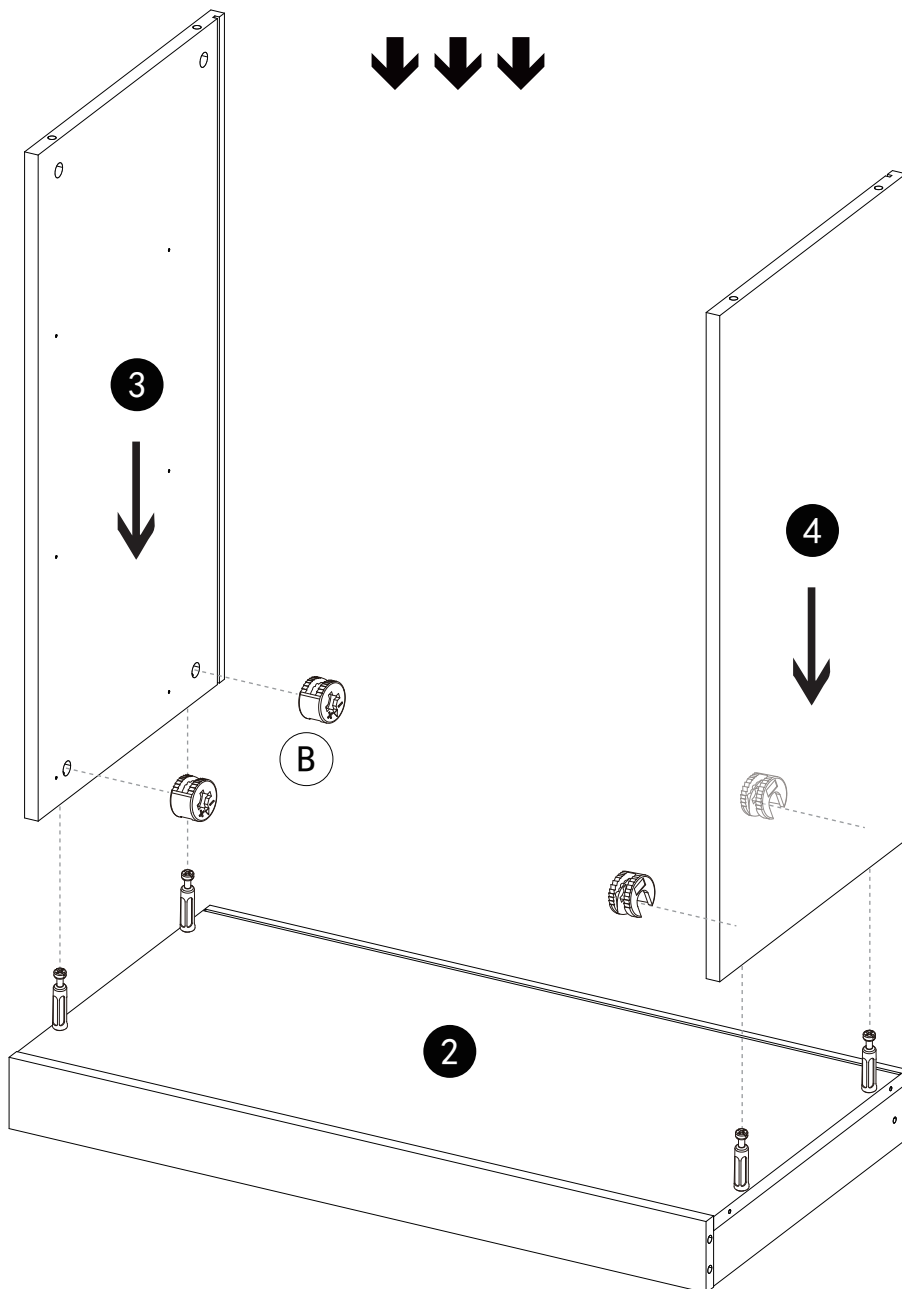
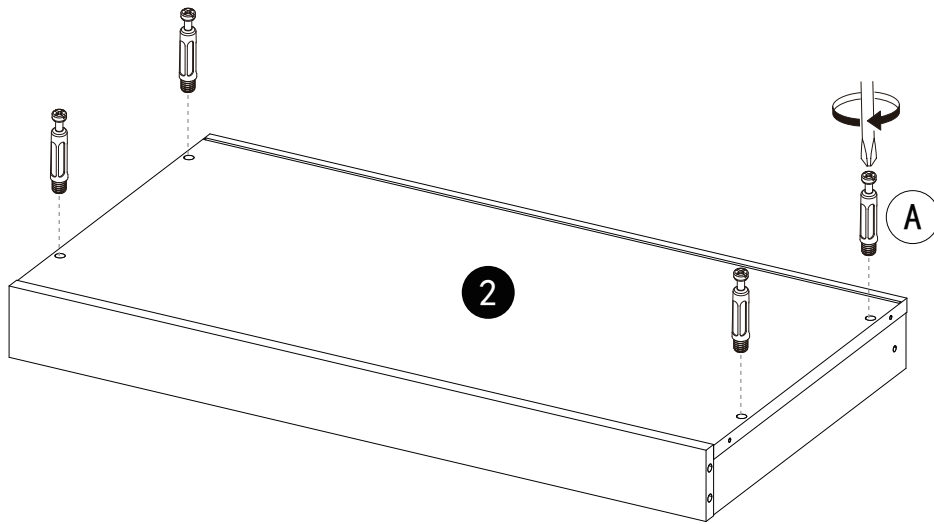
A		x6
B		x6



STEP 7



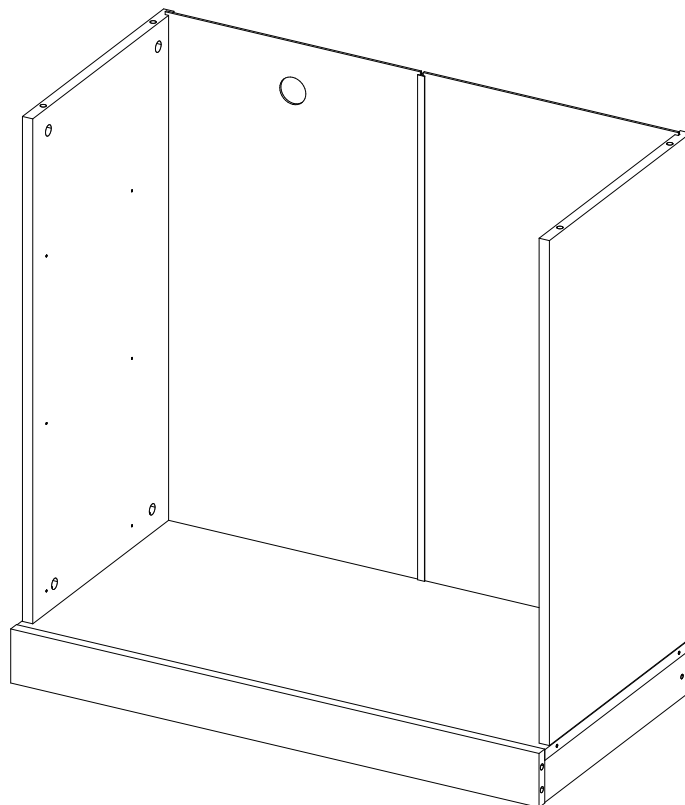
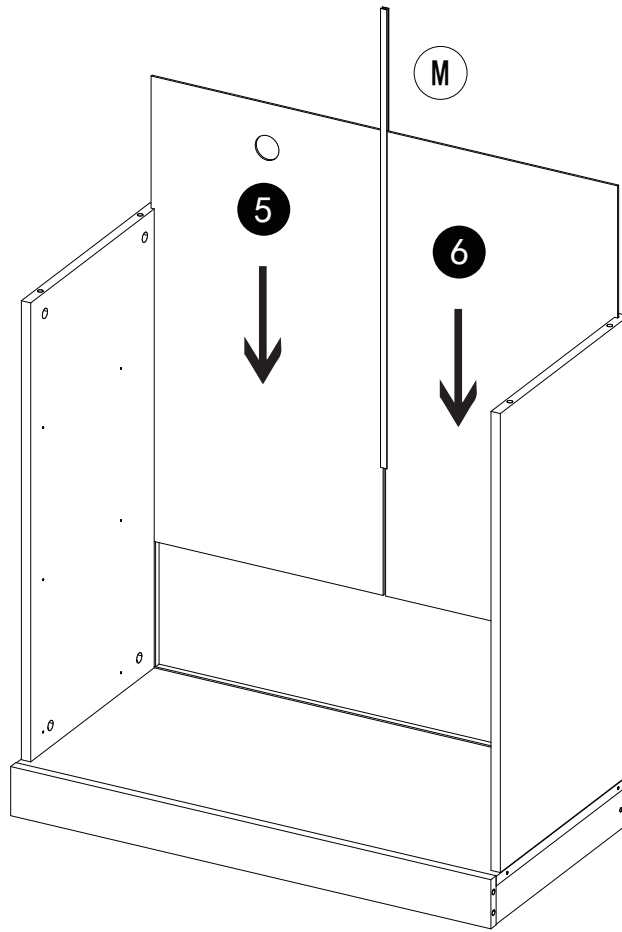
A		x4			
B		x4	G		x8


STEP 8



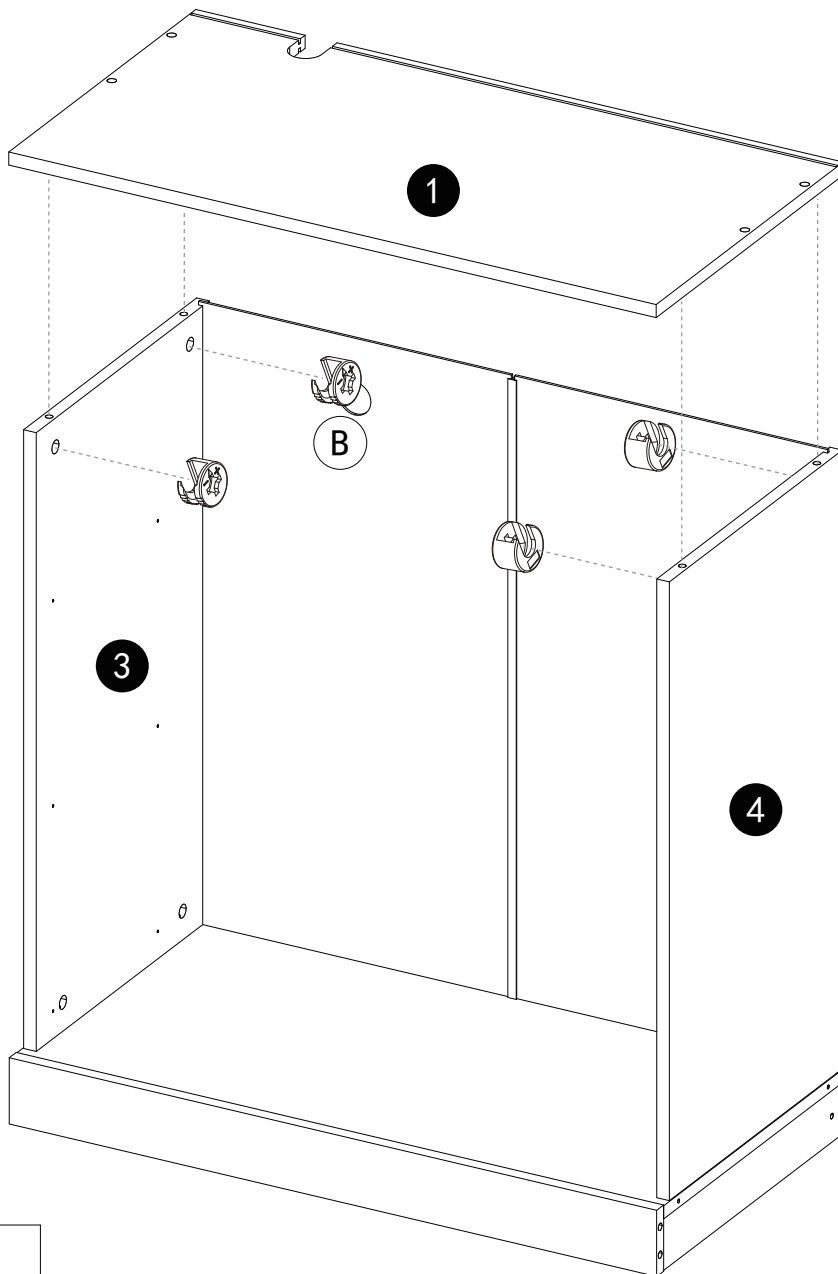
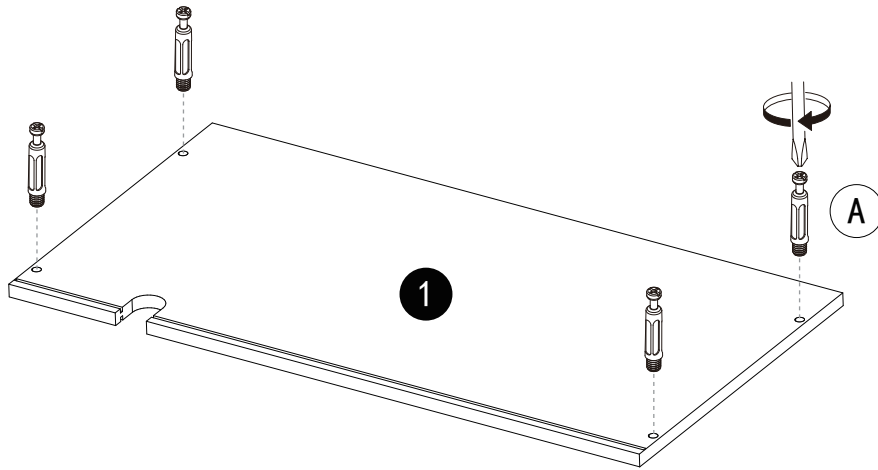
A		x4
B		x4



STEP 9



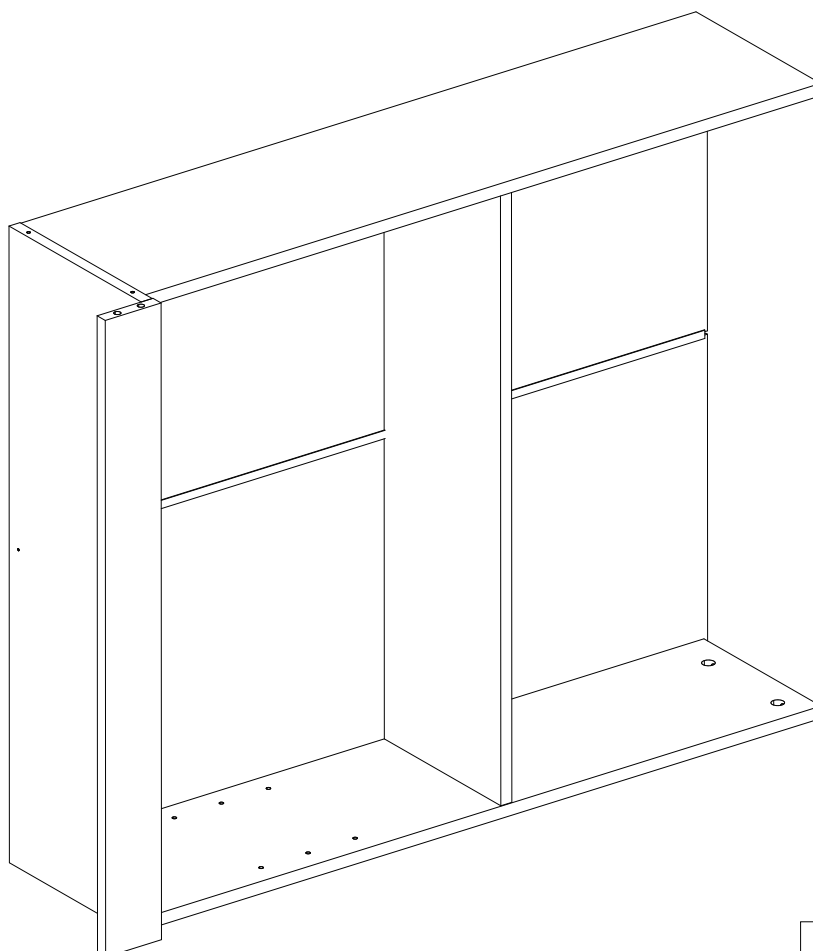
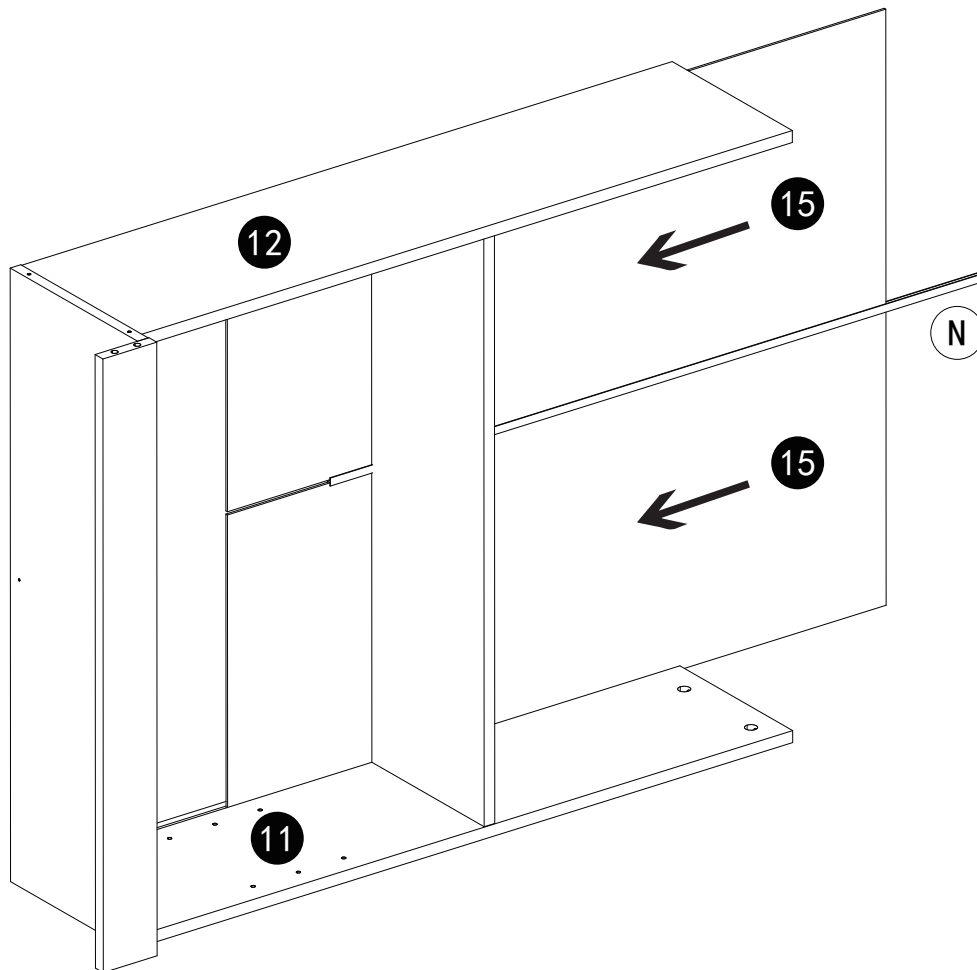
M		x1
---	---	----

STEP 10



A		x4
B		x4

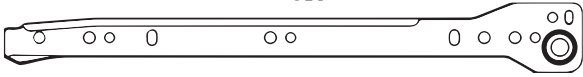
STEP 11



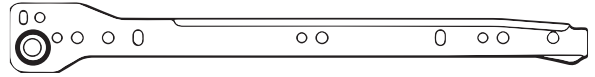
N		x1
---	--	----

STEP 12

CR



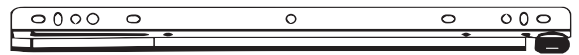
CL



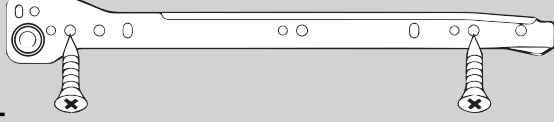
DR



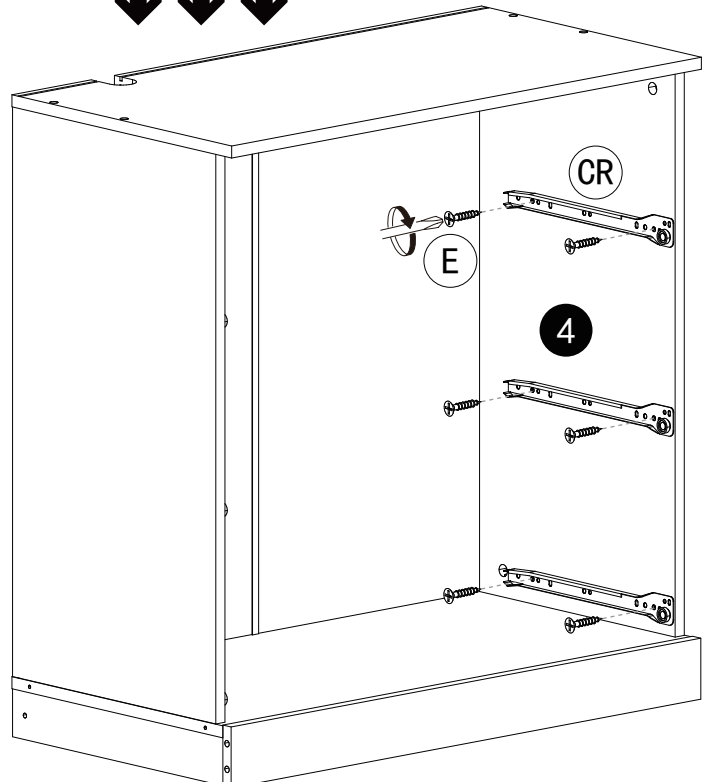
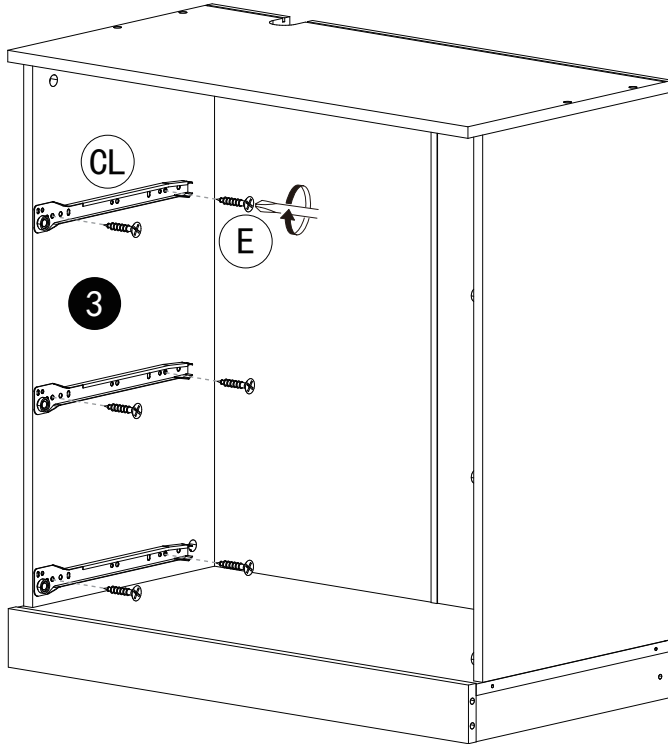
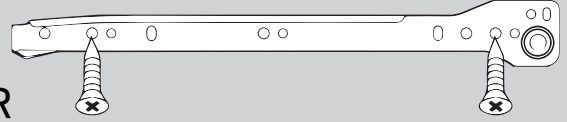
DL



CL

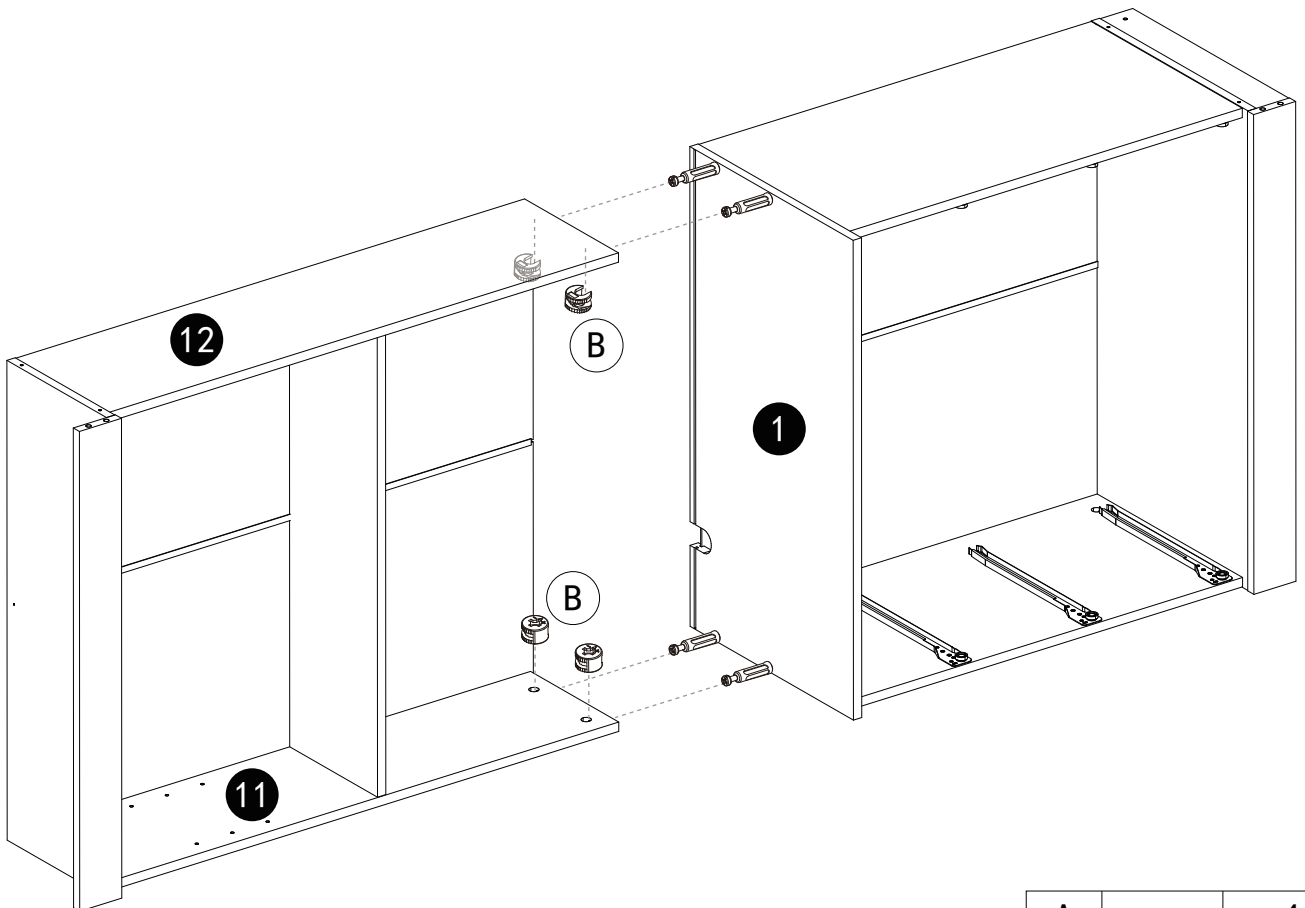
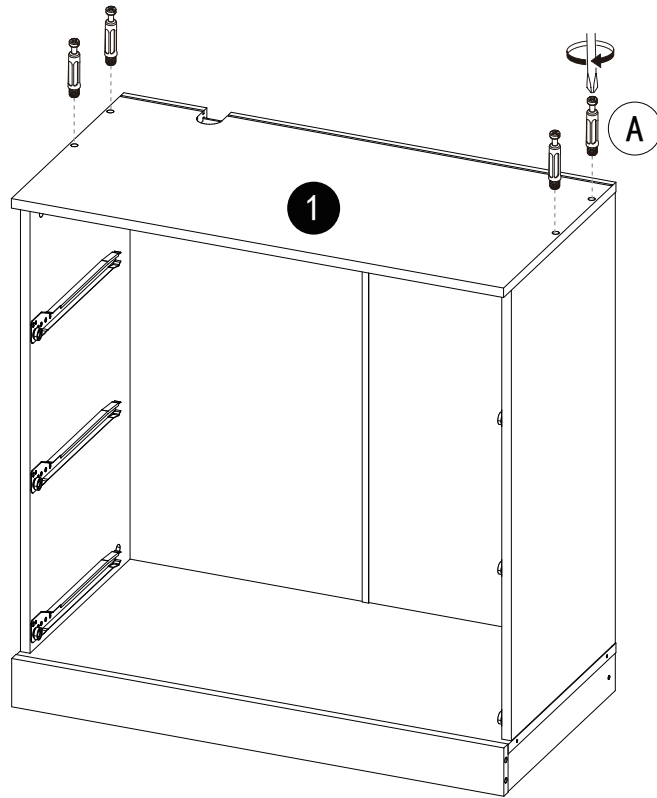




CR



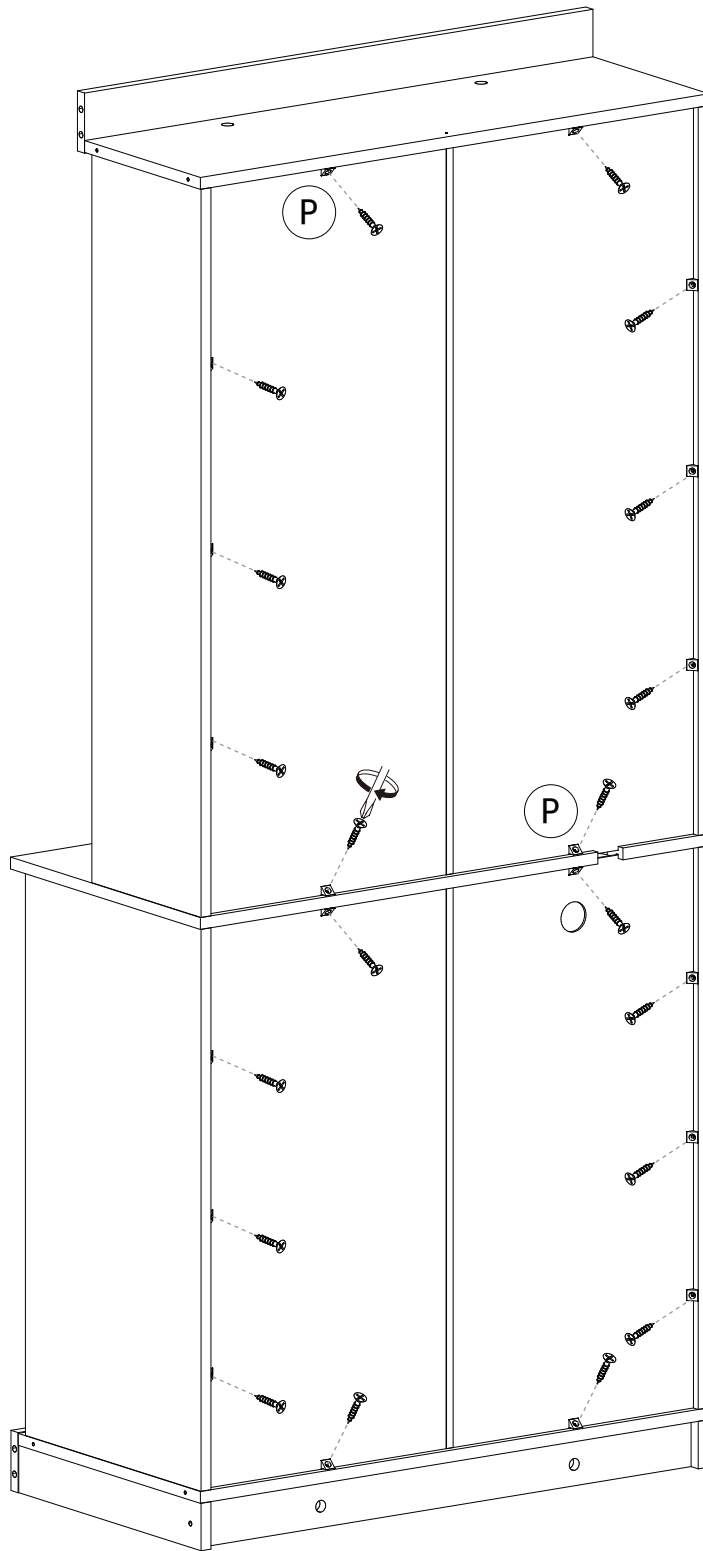
CL		x3
CR		x3
E		x12


STEP 13

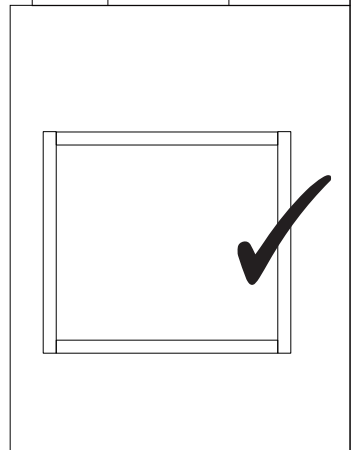
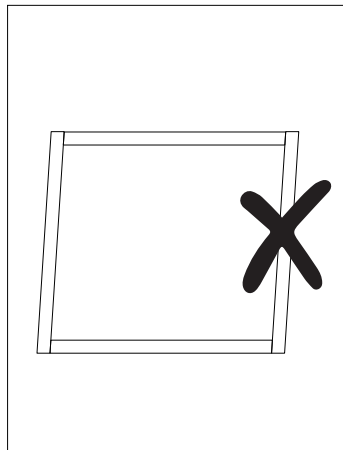
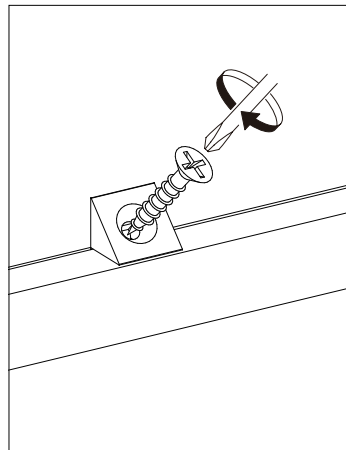
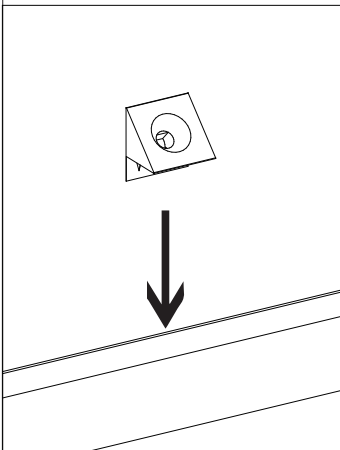


A		x4
B		x4

STEP 14



P  x20



STEP 15

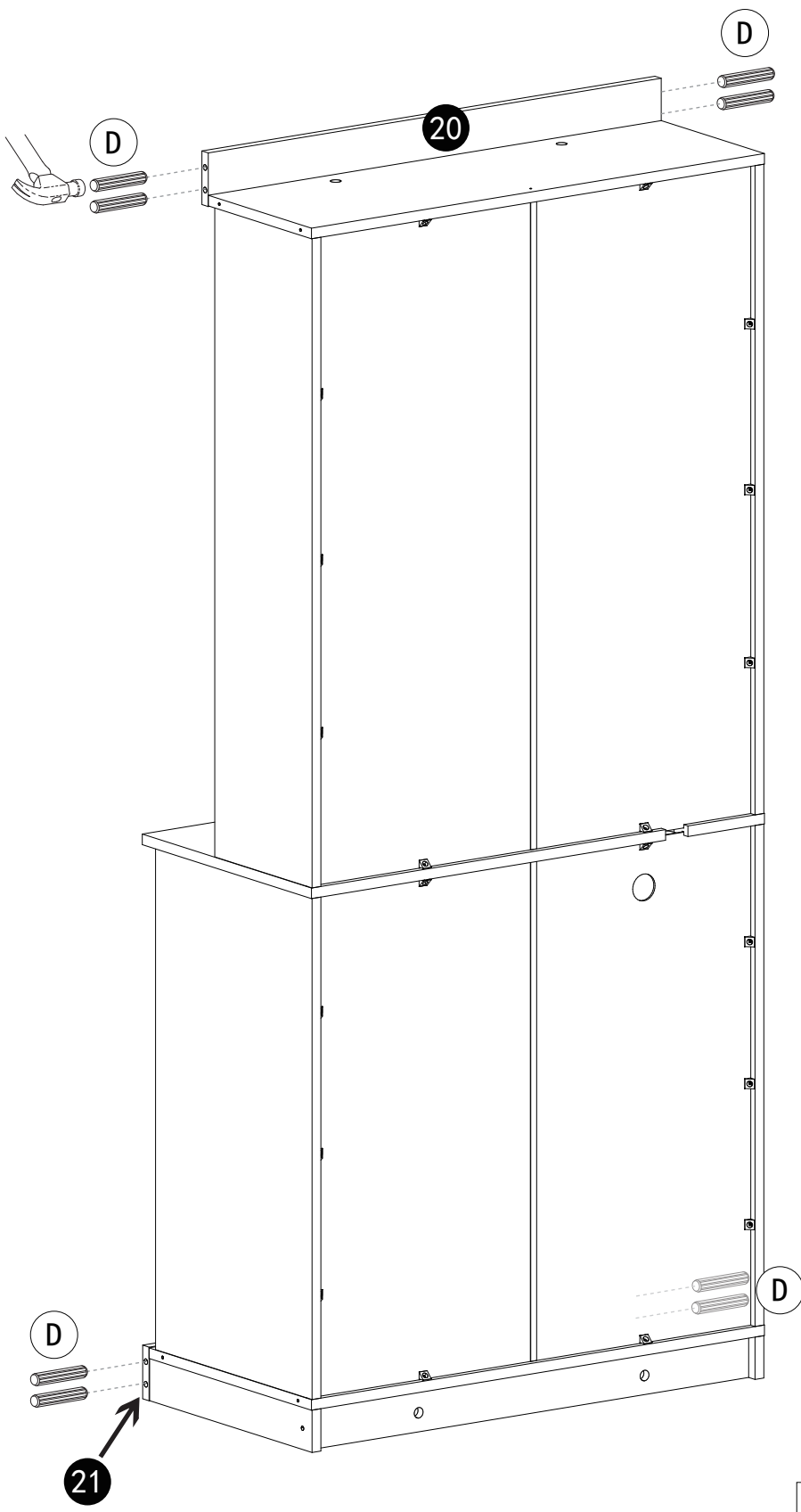
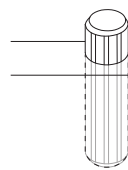
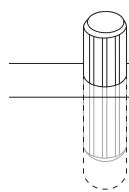
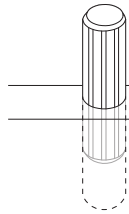
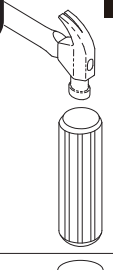
1


2

X

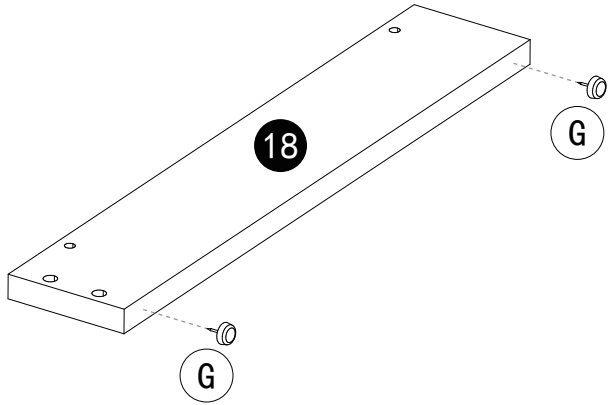
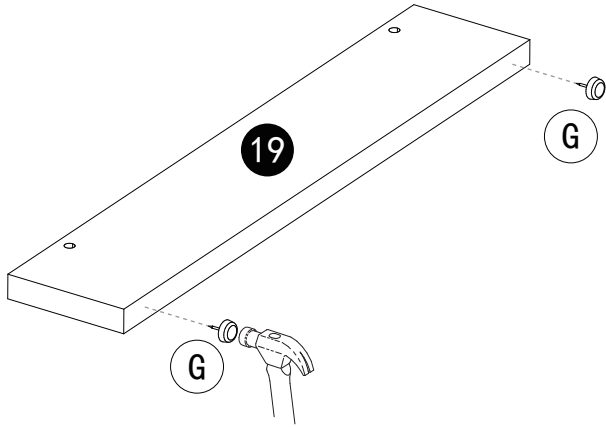
X

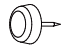
✓

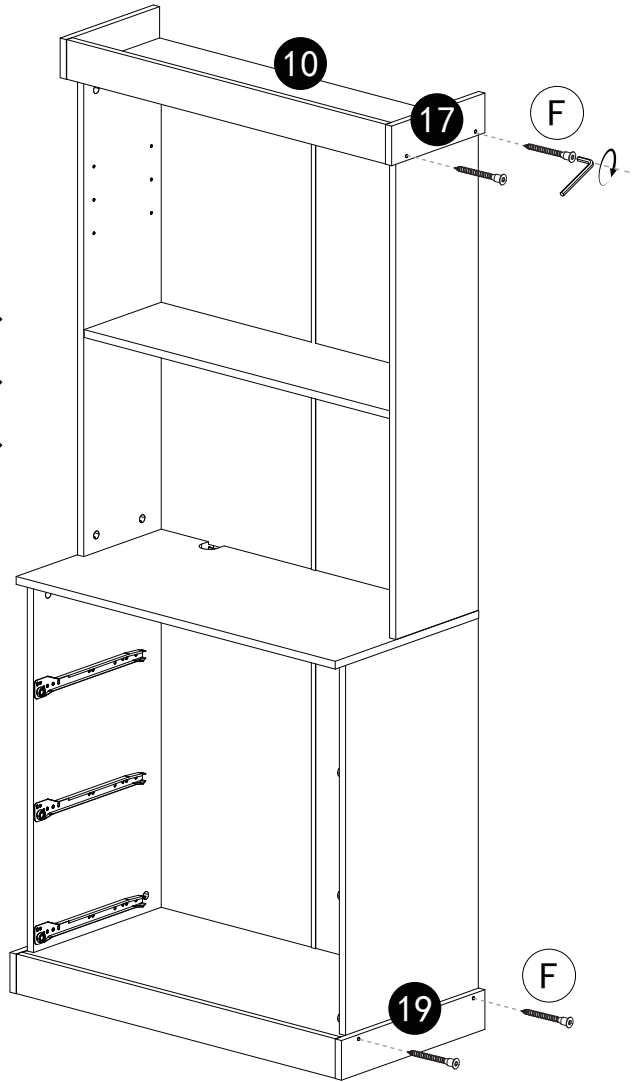
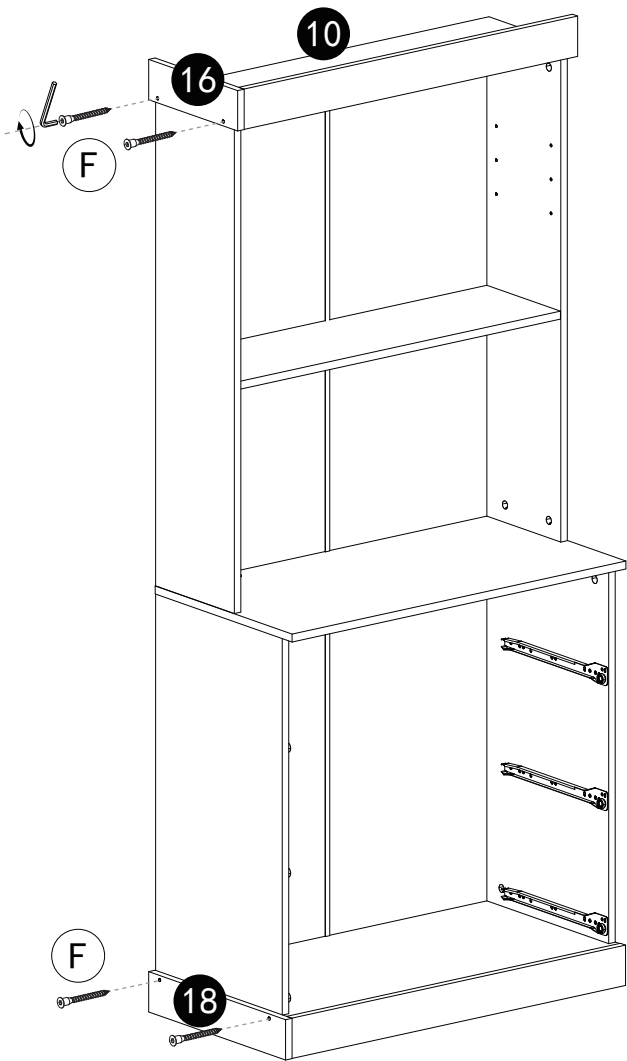


D		x8
---	---	----

STEP 16

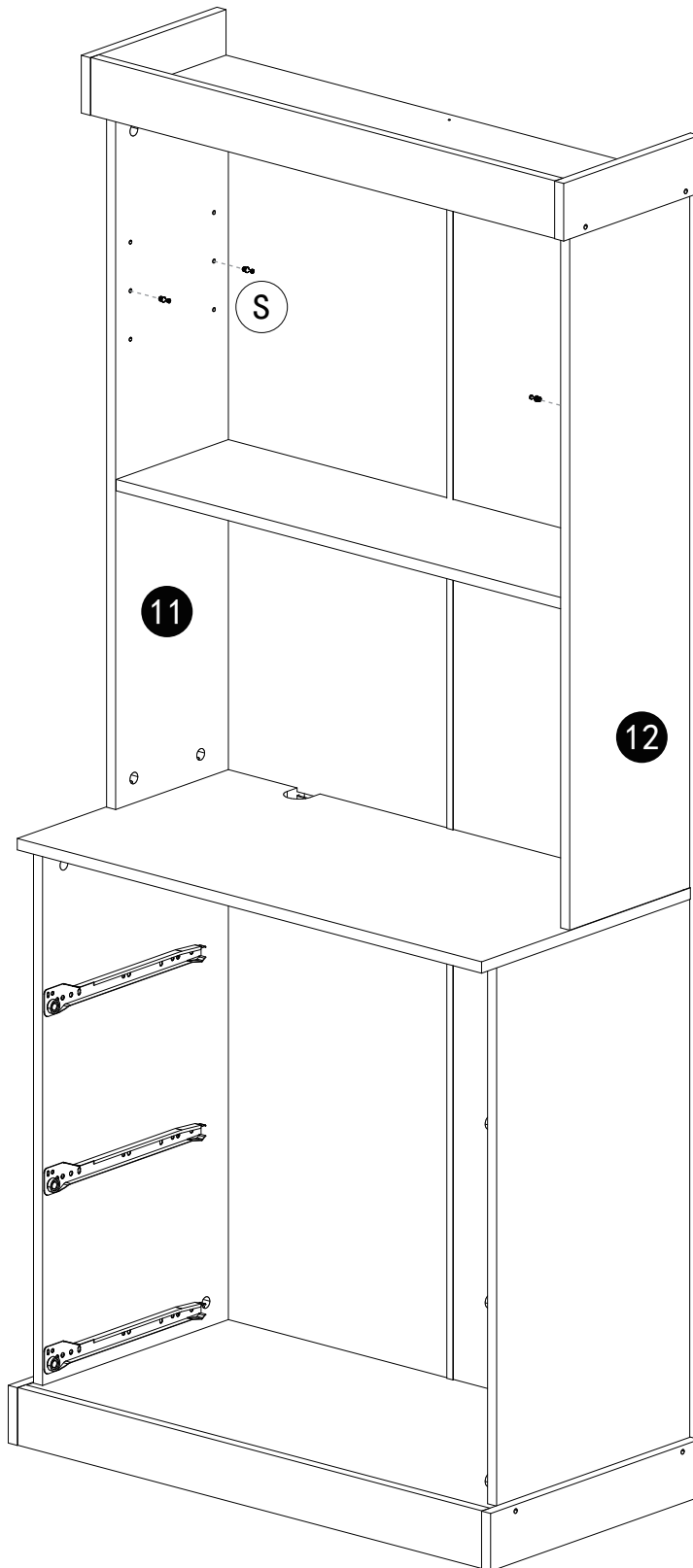
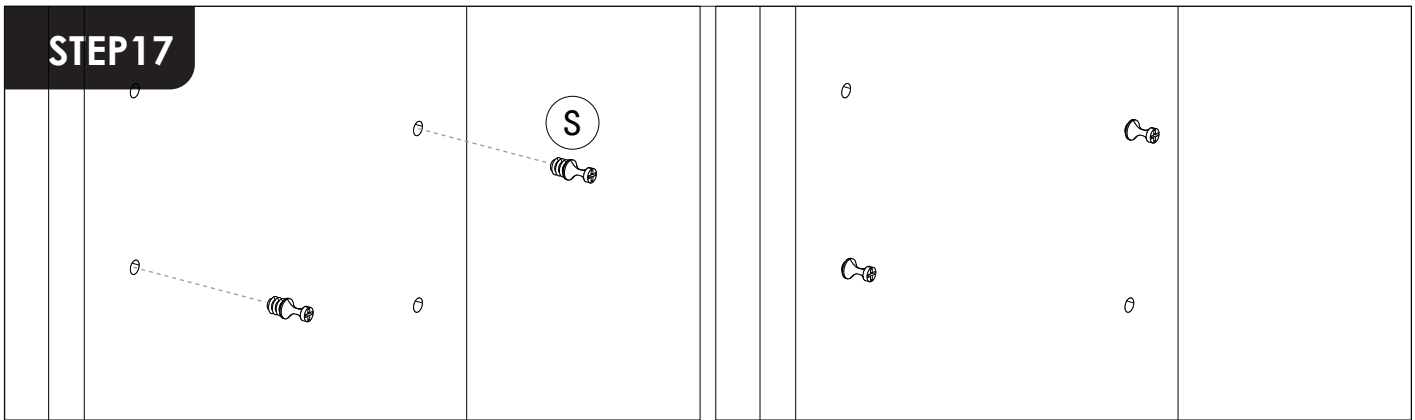



G		x4
---	---	----



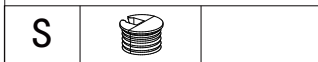
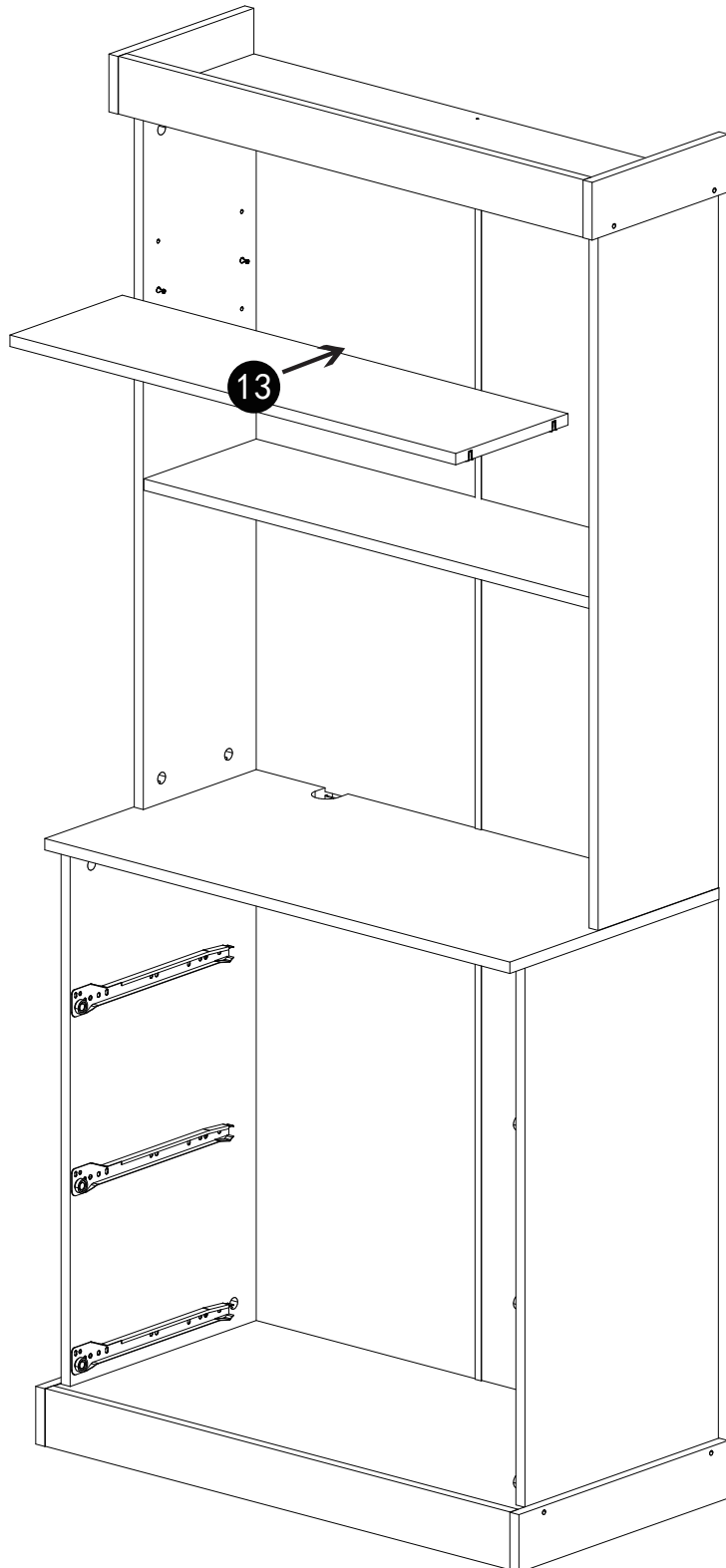
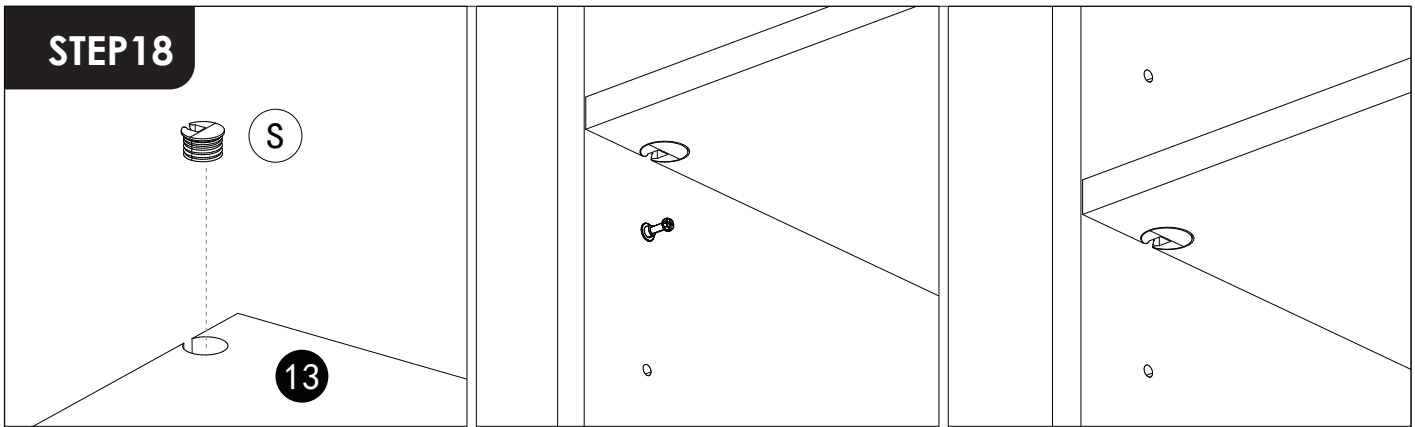
F		x8
---	---	----

STEP 17

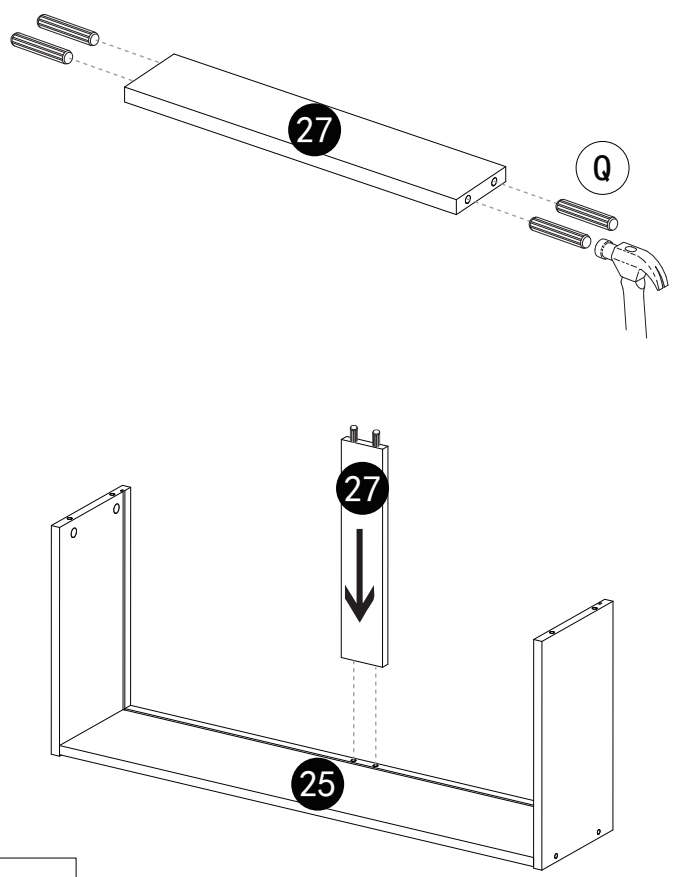
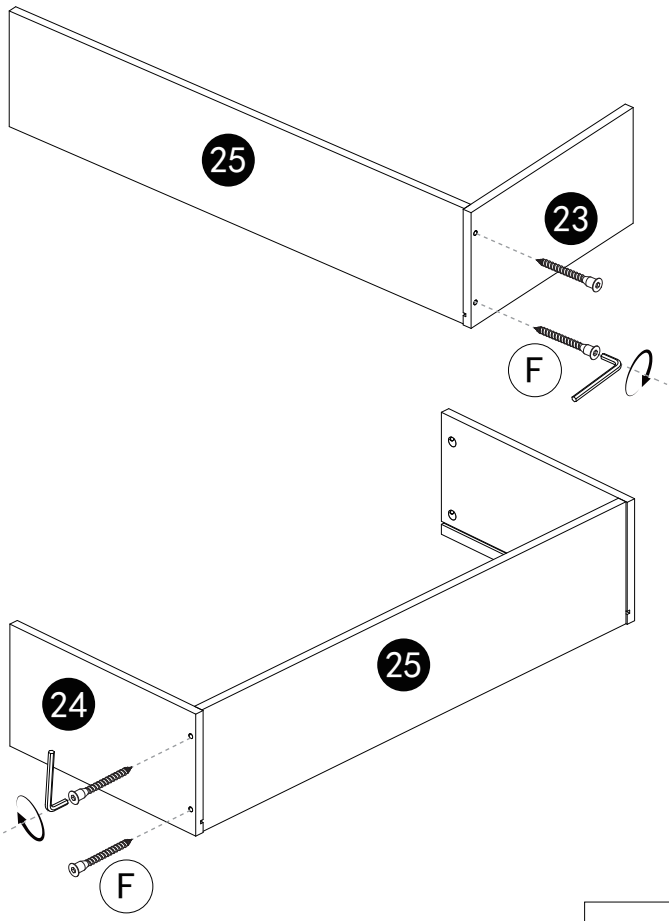


S		x4
---	---	----

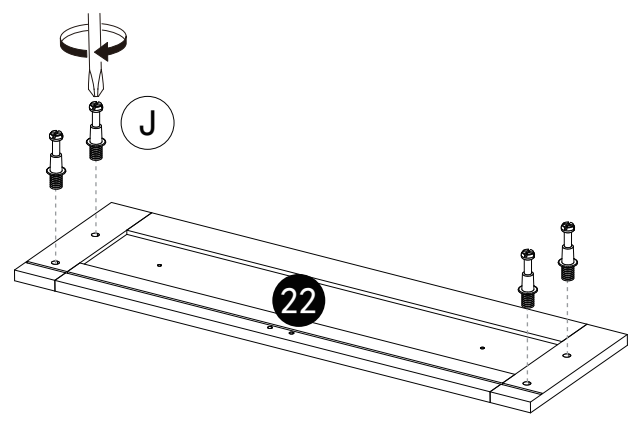
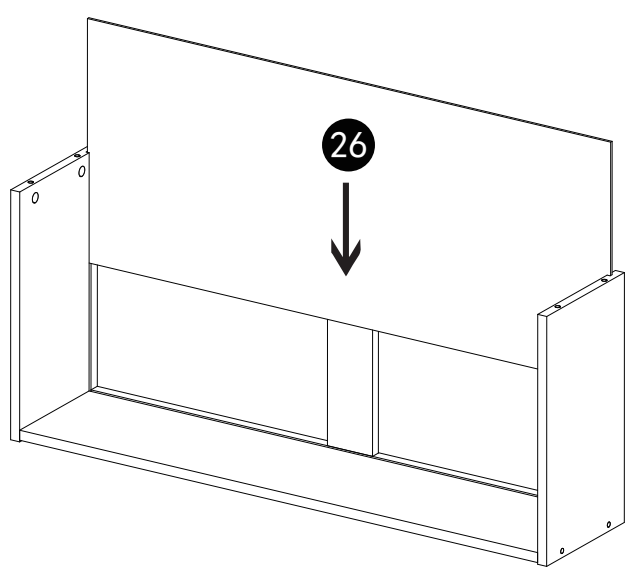
STEP 18

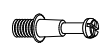




STEP 19



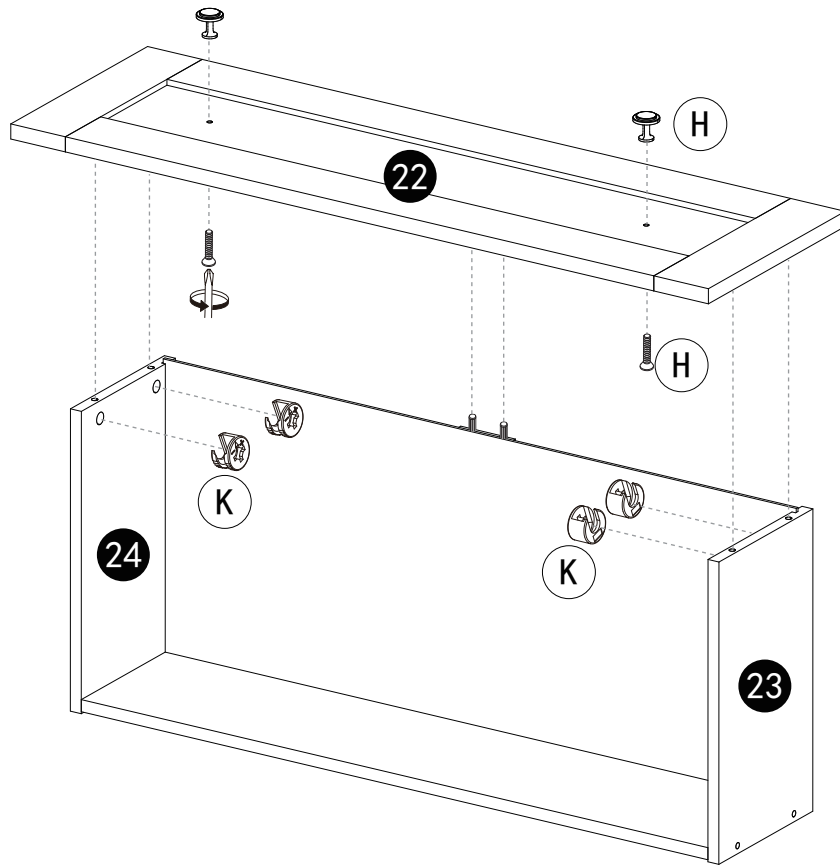
X3



J		x12
Q		x12
F		x12

STEP 20

X3

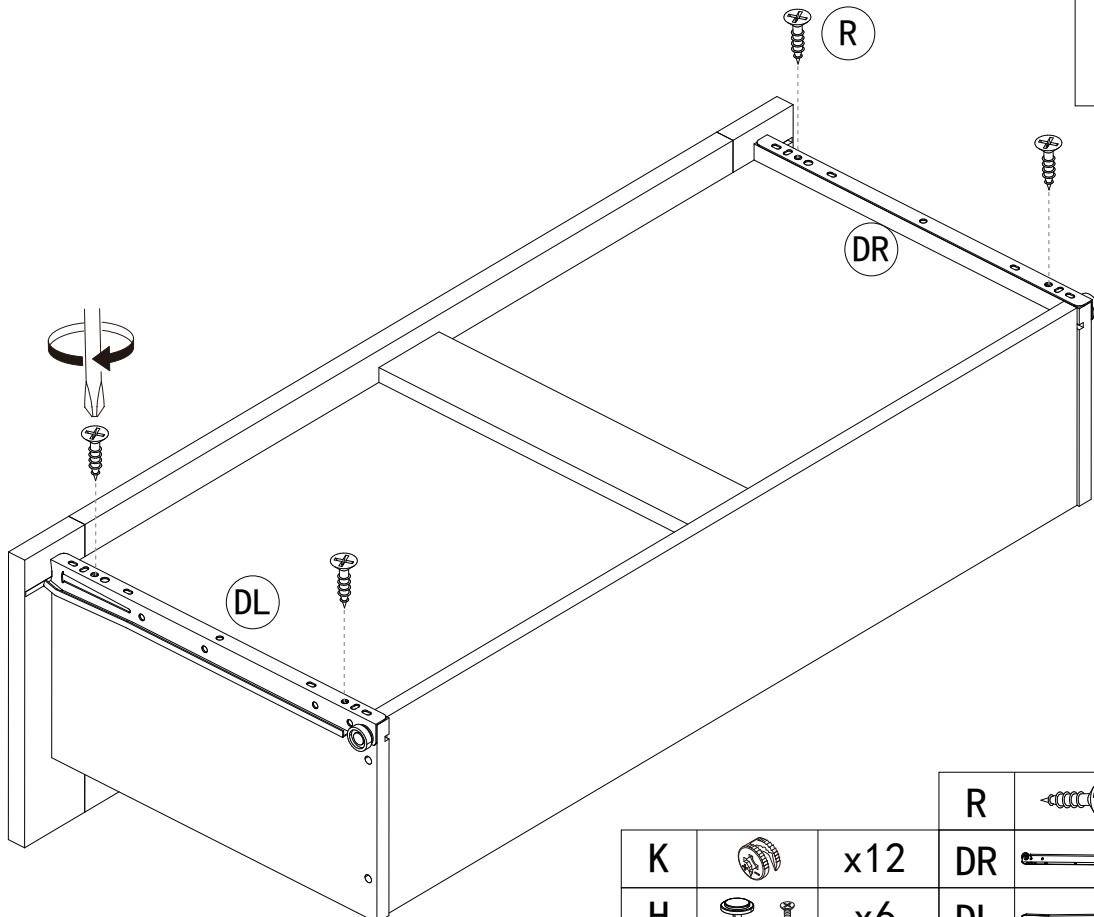


DL



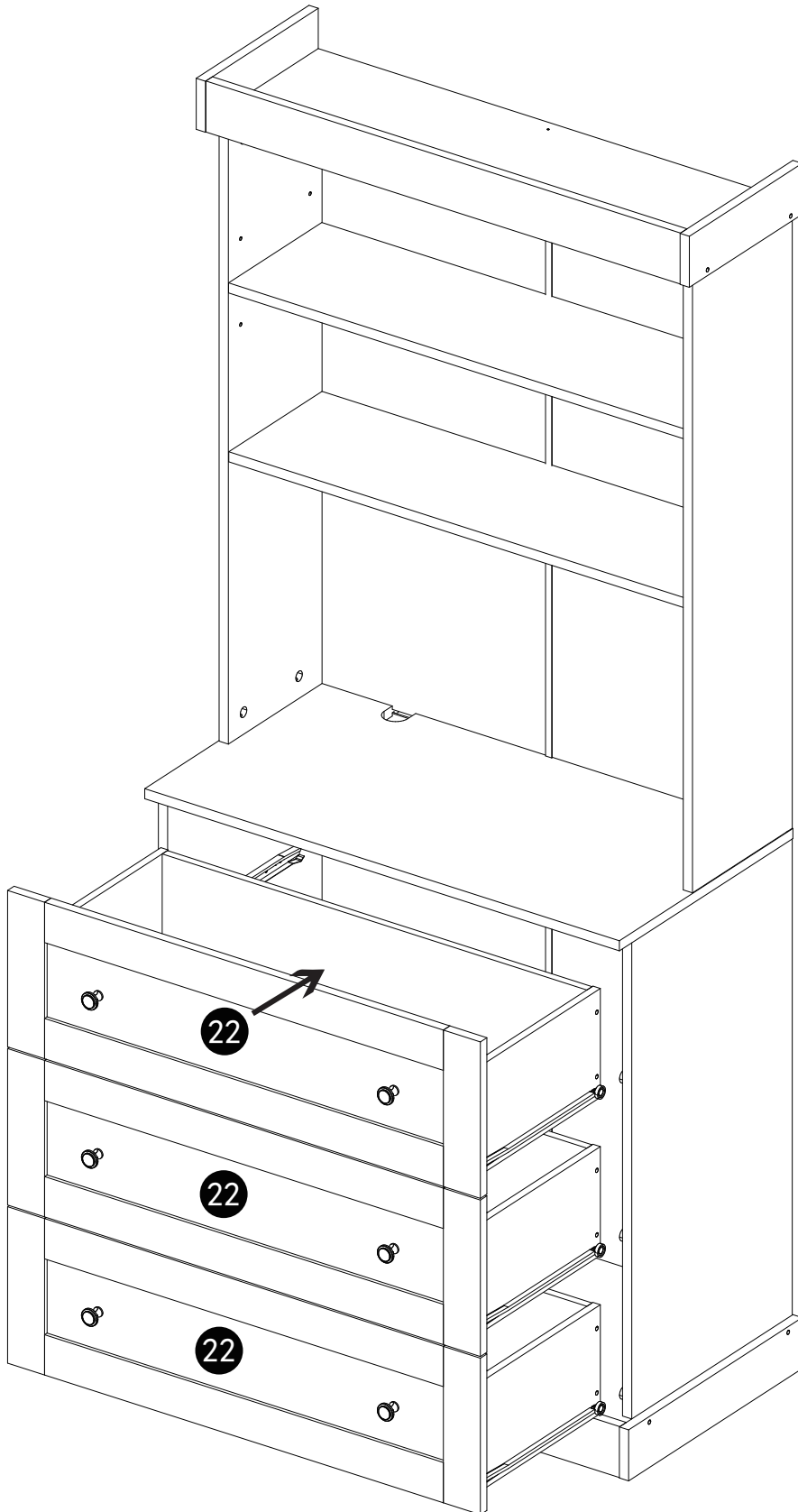
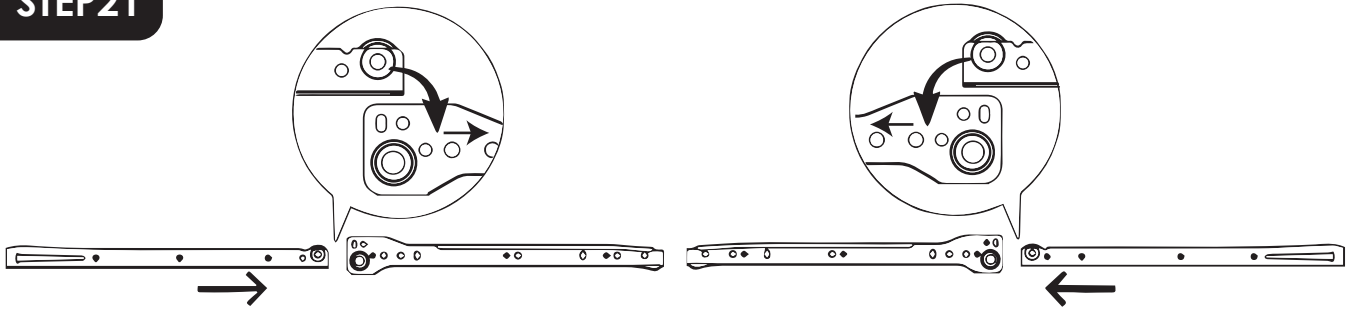
DR

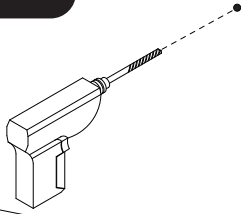
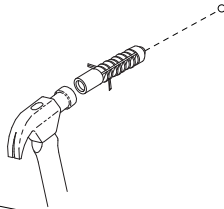
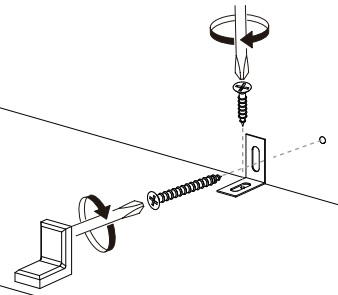
X3



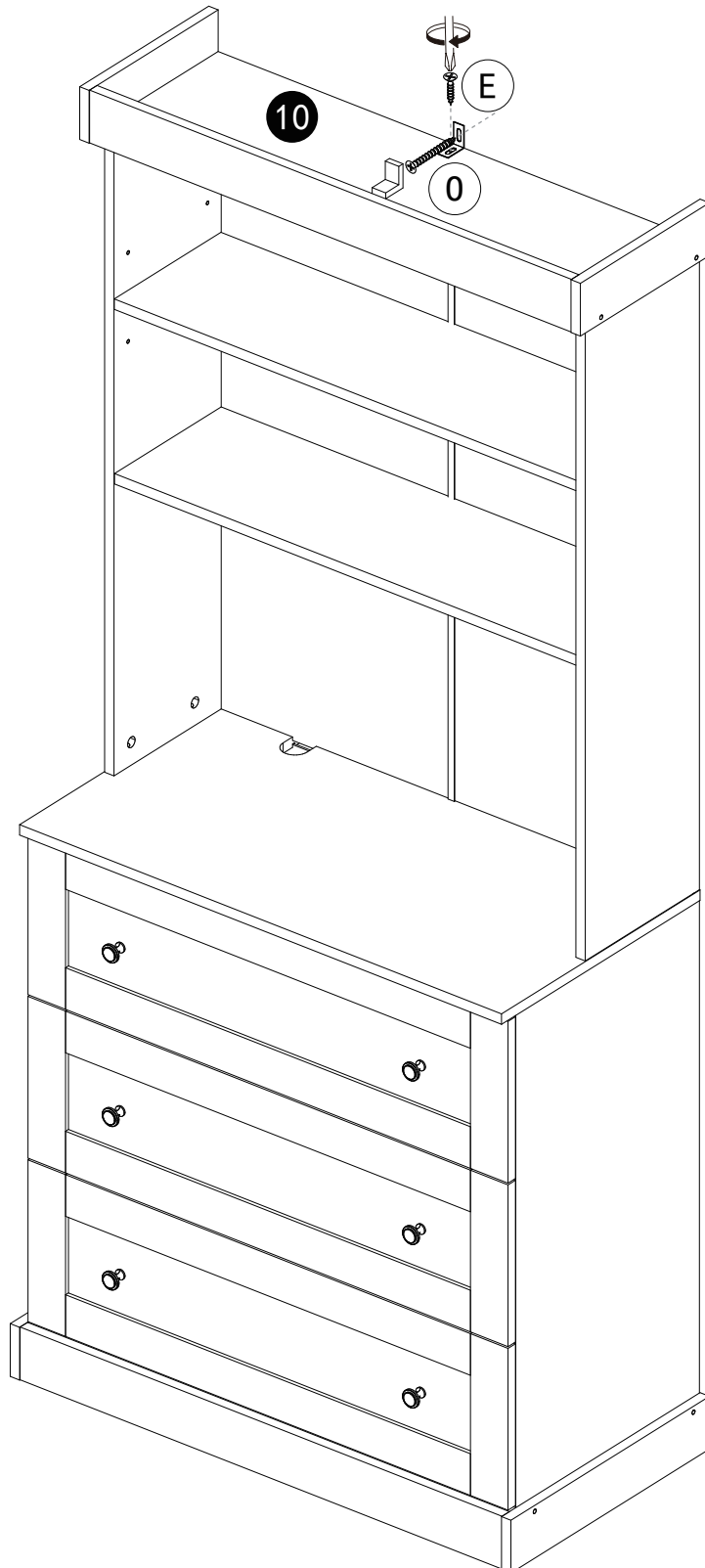
R		x12
K		x12
H		x6
DR		x3
DL		x3



STEP 21



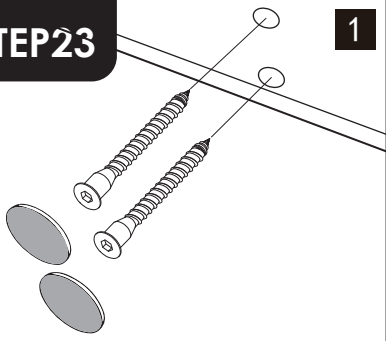
STEP 22**1****2****3**

Note: If you buy two cabinets to be combined together, please do not install this step.



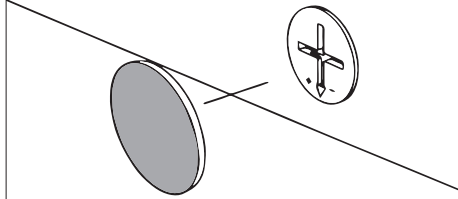
E		x1
0		x1

STEP 23

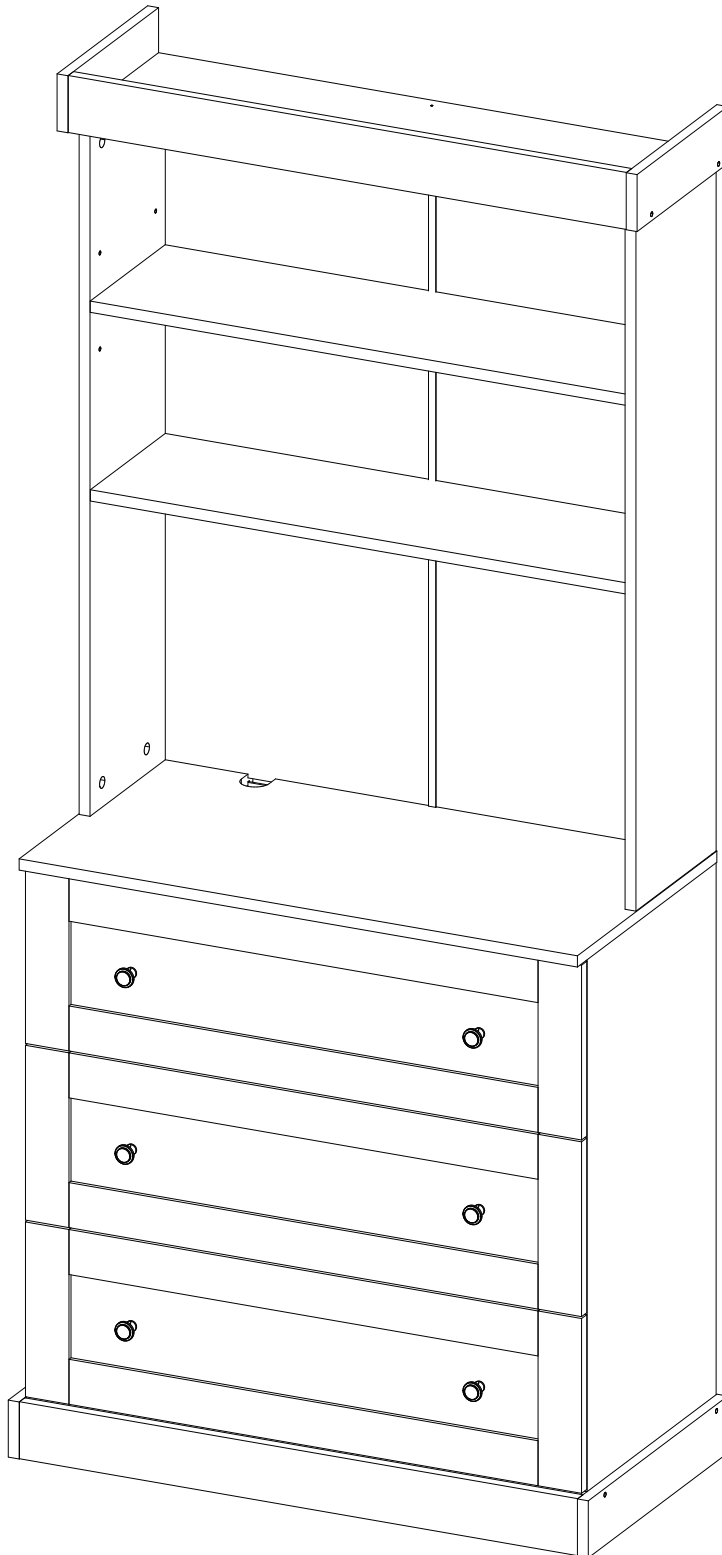


1

2



Add L fittings to all exposed holes on the front of the product



L



x24