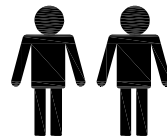









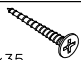






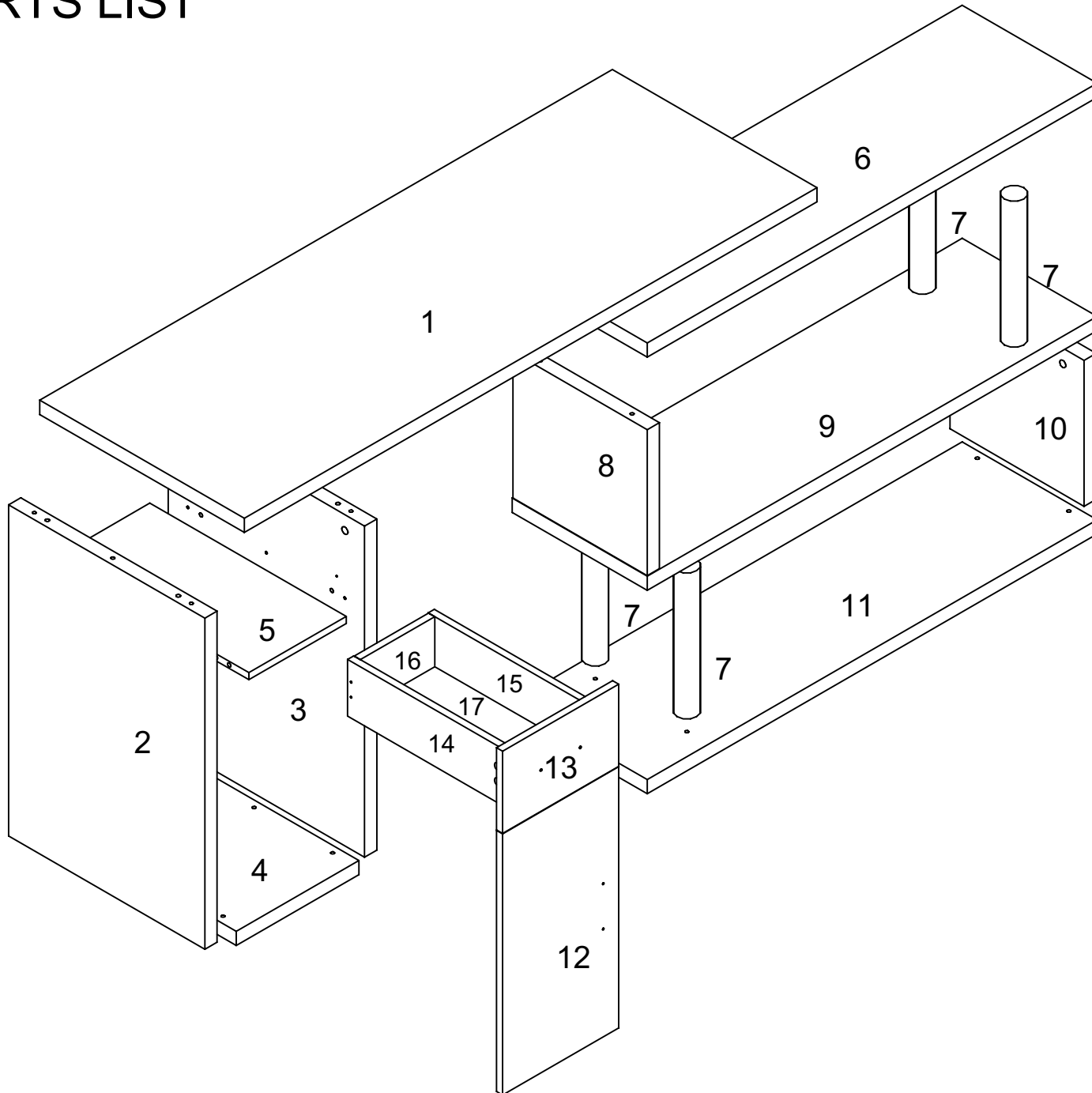


Hammer and Screwdriver  
are not included !!



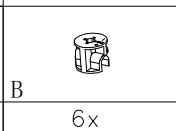
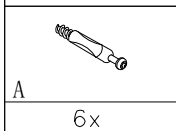
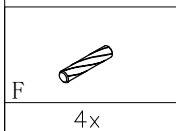
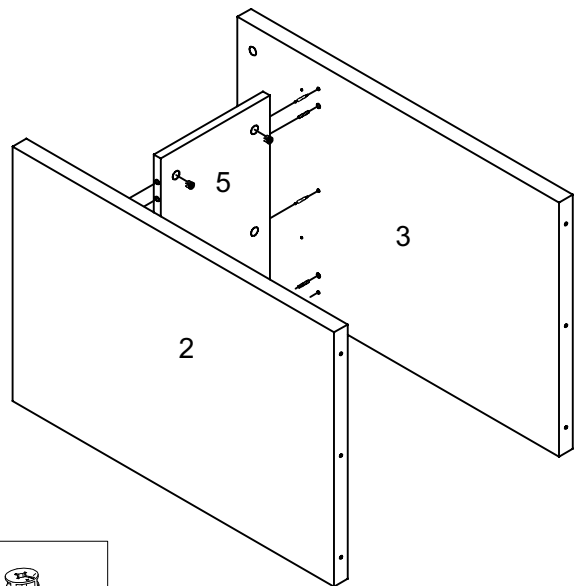
| NO. | QTY. | LINEDRAWING   |
|-----|------|---|
| (A) | 20   |            |
| (B) | 20   |            |
| (C) | 10   | <br>7x50   |
| (D) | 1    |            |
| (E) | 2    |            |
| (F) | 8    |            |
| (G) | 20   | <br>3.5x14 |
| (H) | 1    |            |
| (I) | 10   |            |
| (J) | 4    | <br>3.5x35 |
| (K) | 2    |           |
| (L) | 4    |          |
| (M) | 4    |          |
| (N) | 4    |          |
| (O) | 4    | <br>18mm |
| (P) | 1    |          |

# PARTS LIST

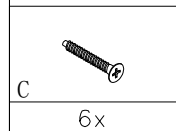
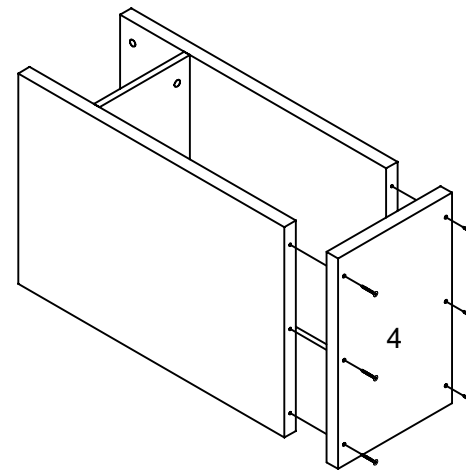


| NO. | QTY. |
|-----|------|
| ①   | 1    |
| ②   | 1    |
| ③   | 1    |
| ④   | 1    |
| ⑤   | 4    |
| ⑥   | 1    |
| ⑦   | 4    |
| ⑧   | 1    |
| ⑨   | 1    |
| ⑩   | 1    |
| ⑪   | 1    |
| ⑫   | 1    |
| ⑬   | 1    |
| ⑭   | 1    |
| ⑮   | 1    |
| ⑯   | 1    |
| ⑰   | 1    |

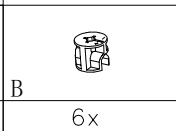
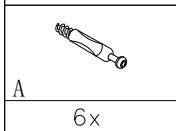
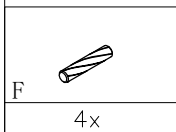
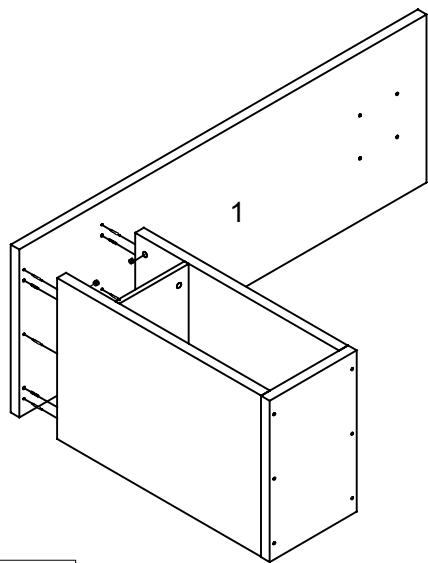
1



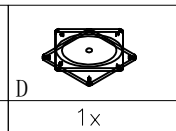
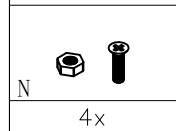
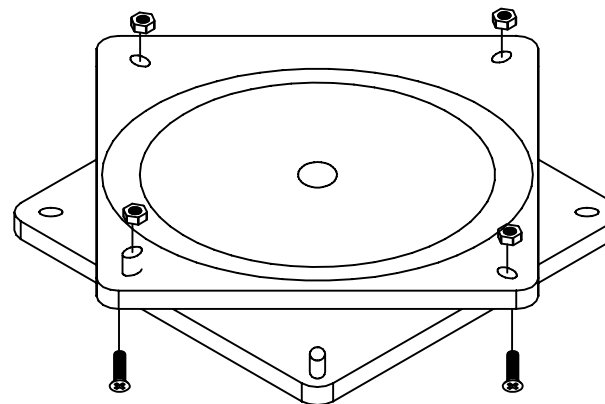
2



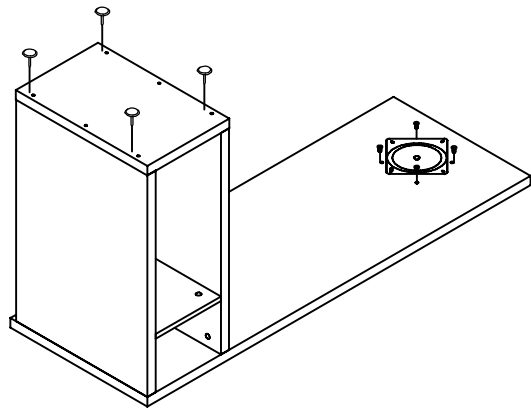
3





4

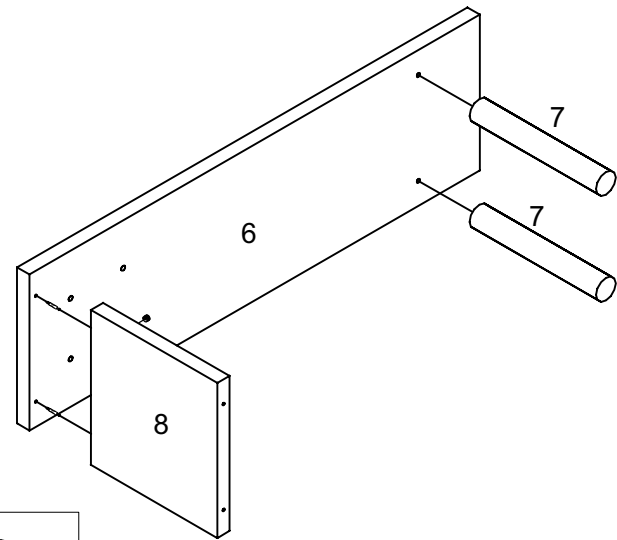




5



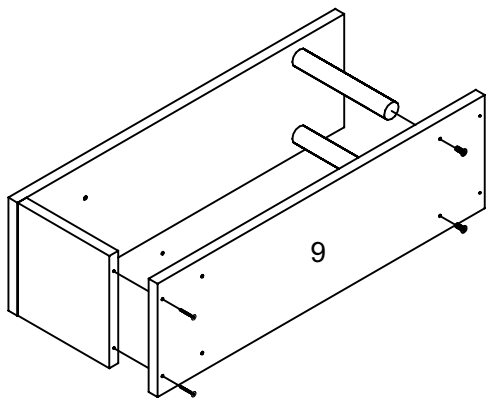
|  |  |
|--|--|
| L<br> | I<br> |
| 4x   | 4x   |



6



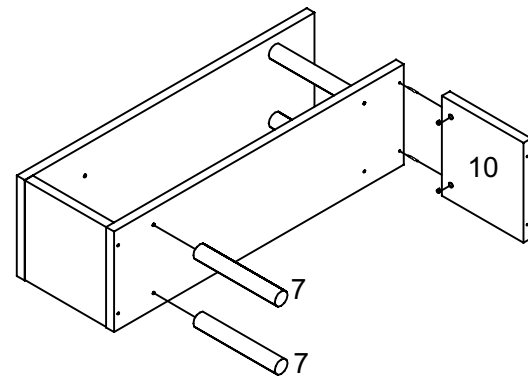
|  |  |
|--|--|
| A<br> | B<br> |
| 2x   | 2x   |



7



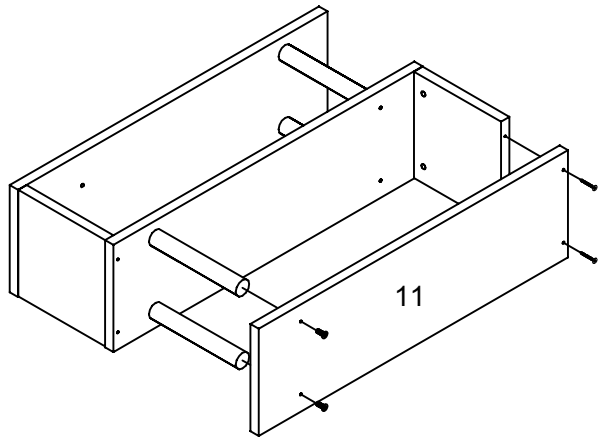
|  |  |
|--|--|
| C<br> | M<br> |
| 2x   | 2x   |



8



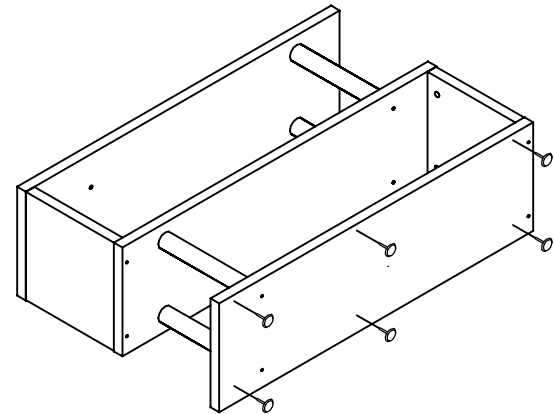
|  |  |
|--|--|
| A<br> | B<br> |
| 2x   | 2x   |


9



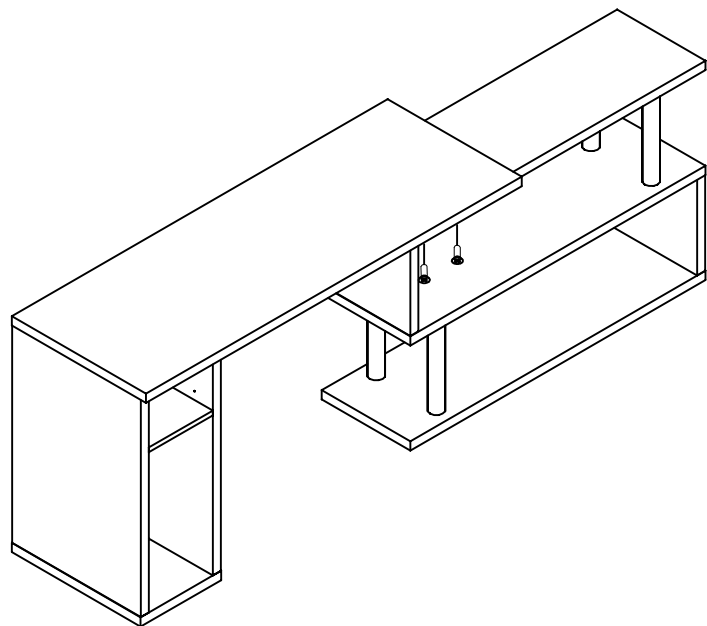
|   |   |   |   |
|---|---|---|---|
| C |  | M |  |
|   | 2x  |   | 2x  |


10



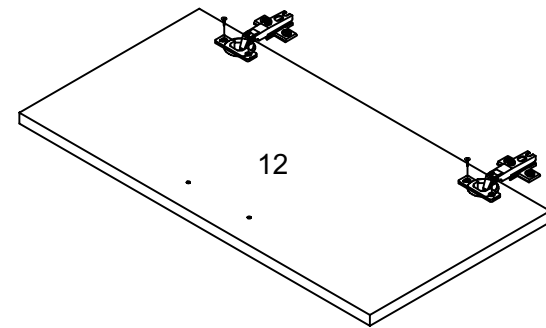
|   |   |
|---|---|
| I |  |
|   | 6x  |



11



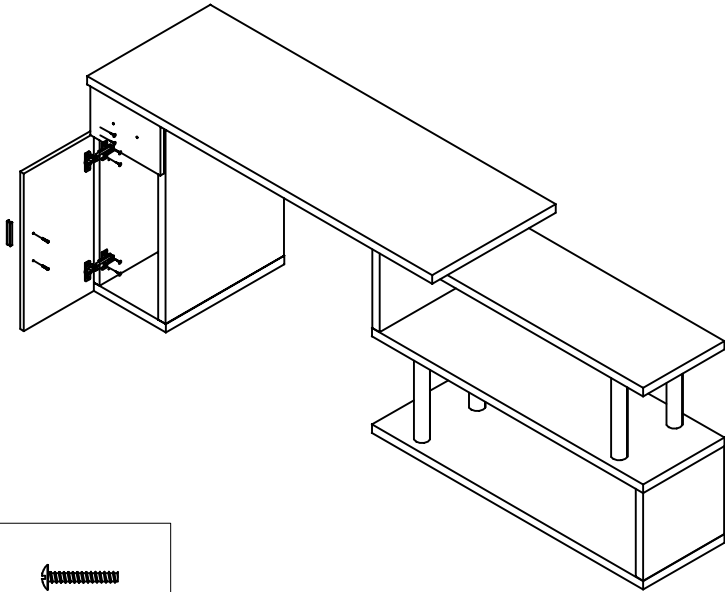
|   |   |
|---|---|
| N |  |
|   | 4x  |

12



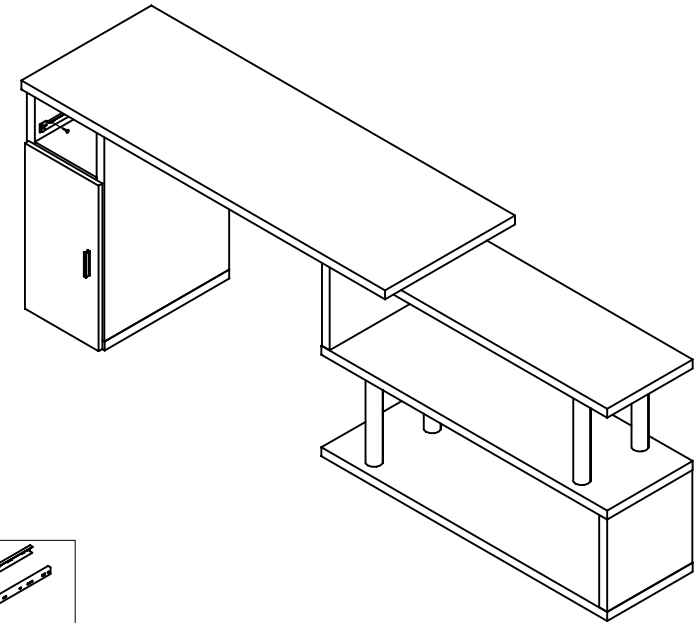
|   |   |   |   |
|---|---|---|---|
| E |  | G |  |
|   | 2x  |   | 4x  |

13



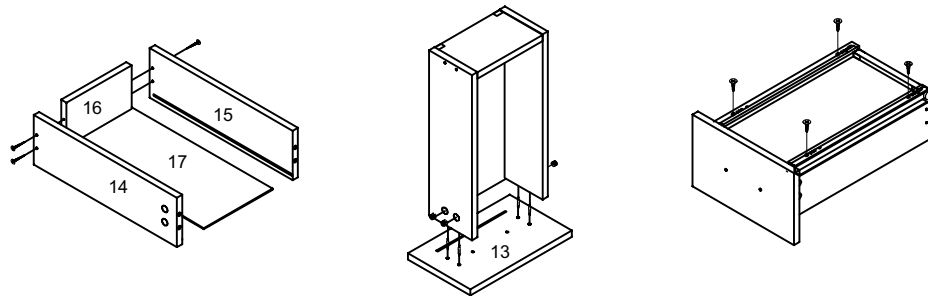
|   |  |    |
|---|--|----|
| G |  | 8x |
| K |  | 1x |
| O |  | 2x |

14



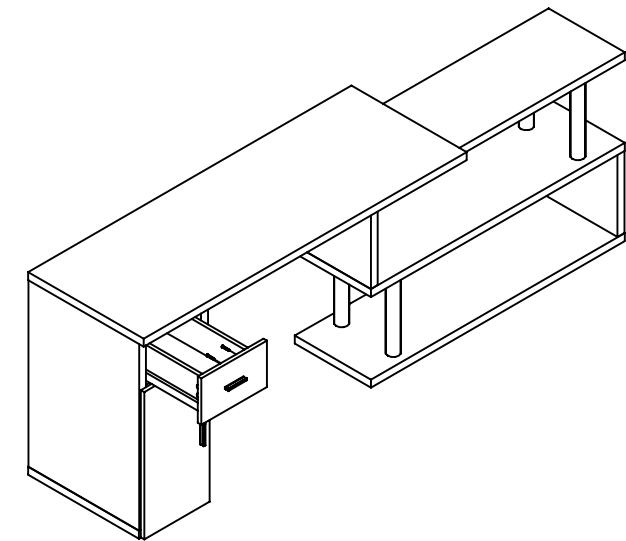
|   |  |    |
|---|--|----|
| G |  | 4x |
| H |  | 1x |

15



|   |  |    |
|---|--|----|
| A |  | 4x |
| B |  | 4x |
| H |  | 1x |
| G |  | 4x |
| J |  | 4x |

16



|   |  |    |
|---|--|----|
| K |  | 1x |
| O |  | 2x |