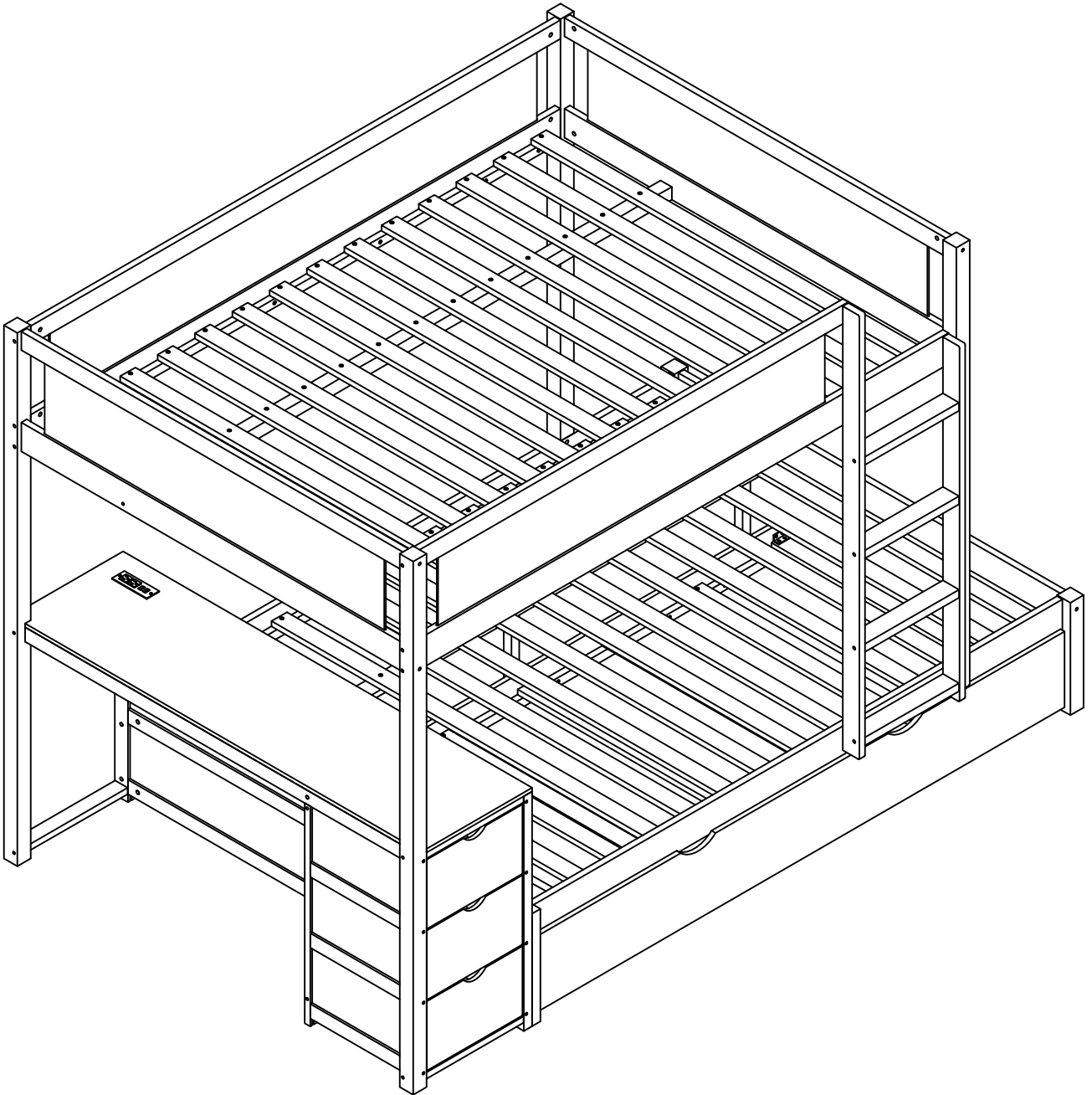


ASSEMBLY INSTRUCTIONS

Full Full Bunk Bed With CABINET



ASSEMBLY INSTRUCTIONS



SAFETY WARNINGS



1. This bed is designed for use only mattress (es) meeting the following specifications on the upper bunk, and lower bunk:

Upper bunk (bunk bed and tribed included)

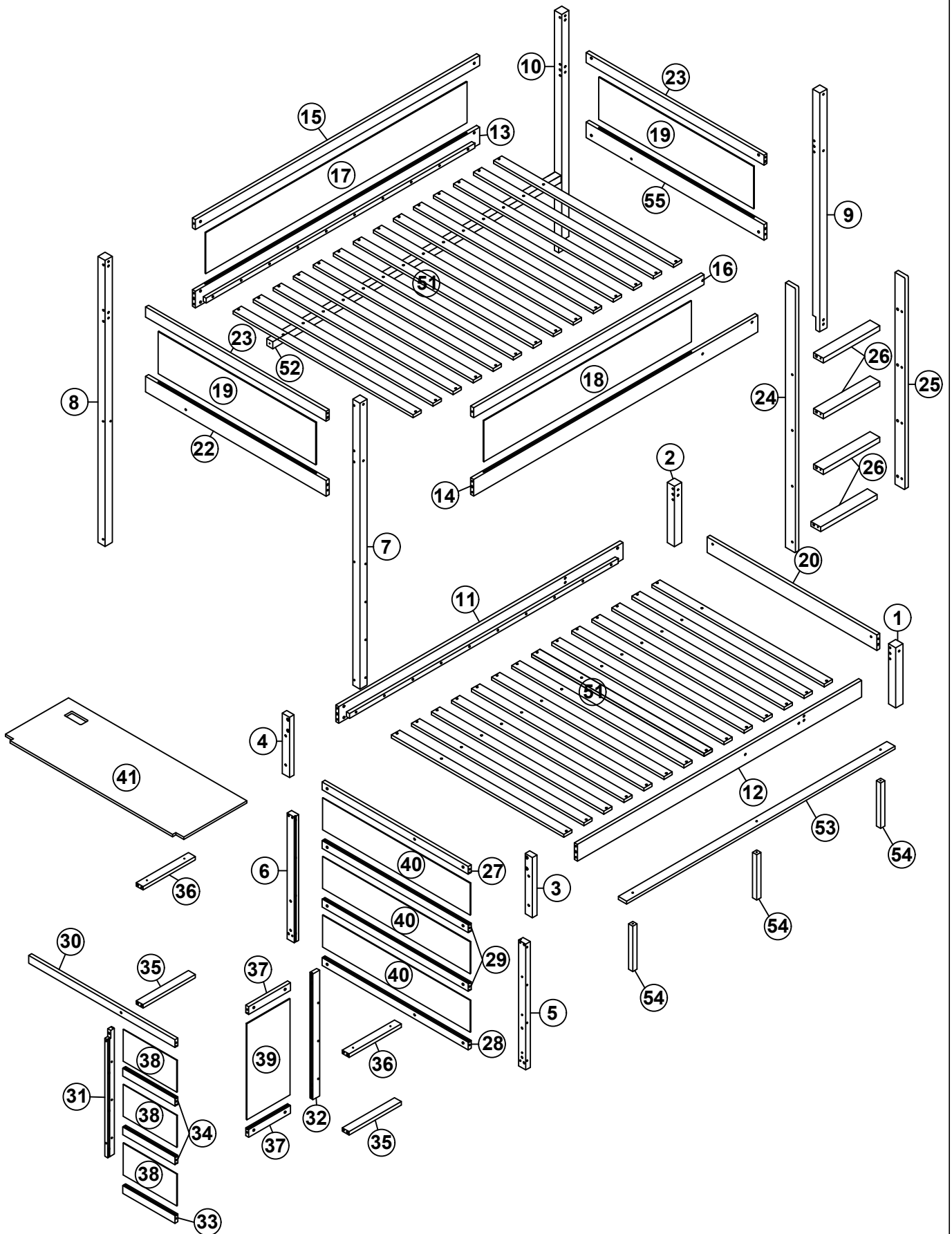
Bed Type	Length	Width	Thickness
Full Standard	74" - 75"	53" - 54"	6" max

Lower bunk

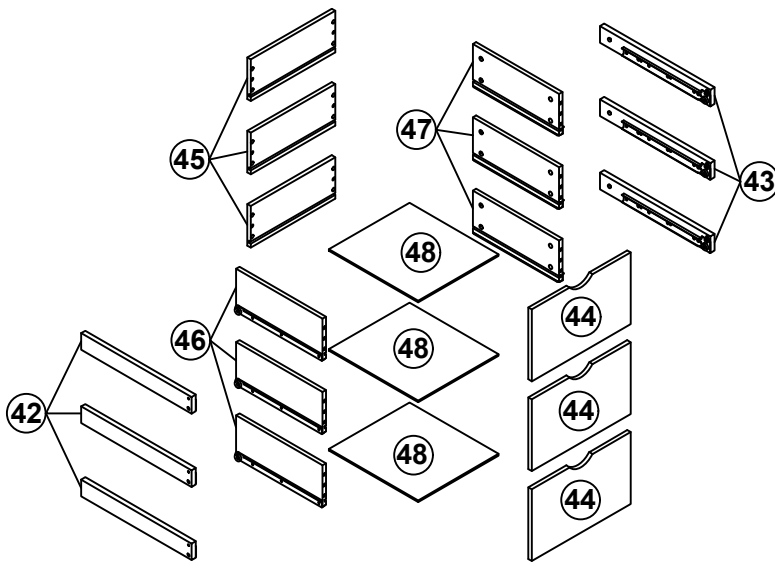
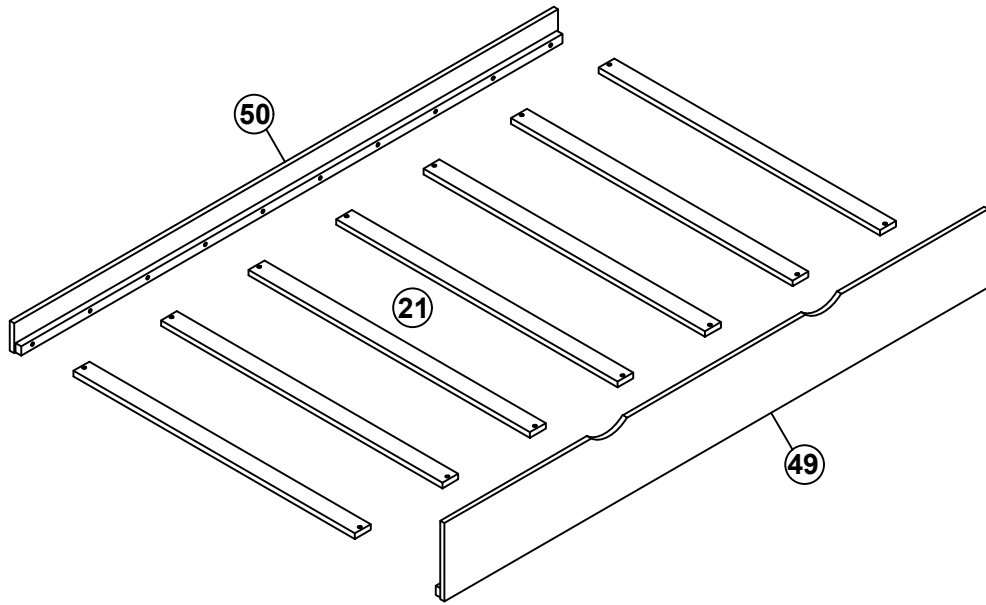
Bed Type	Length	Width	Thickness
Full Standard	74" - 75"	53" - 54"	8" max

2. Replacement parts, including additional guardrails, maybe obtained from any of our dealers.
3. Follow the information on the warnings appearing on the upper bunk bed end structure and on the carton. Do not remove warning label from bed.
4. Always use the recommended size mattresses or mattress supports, or both, to help prevent the likelihood of entrapment or falls.
5. Surface of mattress must be at least 5" (127mm) below the upper edge of guardrails.
6. Do not allow children under 6 years of age to use the upper bunk.
7. Periodically check and ensure that the guardrail, ladder, and other components are in their proper position, free from damage, and that all connectors are tight.
8. Do not allow horseplay on or under the bed and prohibit jumping on the bed.
9. Always use the ladder for entering and leaving the upper bunk.
10. Do not use substitute part. Contact the manufacture or dealer for replacement part.
11. Use of a night light may provide added safety precaution for a child using the upper bunk.
12. Always use guardrails on both long sides of the upper bunk. If the bunk bed will be placed next to the wall, the guardrail that runs the full length of the bed should be placed against the wall to prevent entrapment between the bed and wall.
13. The use of water or sleep flotation mattresses is prohibited.
14. **STRANGULATION HAZARD** - Never attach or hang items to any part of the bunk bed that are not designed for use with the bed; for example, but not limited to, hook, belts and jump ropes.
15. Keep these instruction for future reference.
16. Prohibit more than one person on upper bunk
17. We recommend assembling your bunk bed on the shipping carton to protect your floor or carpet.
18. Be certain all staples are out of the box before beginning assembly on the shipping carton.

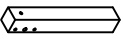

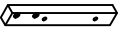
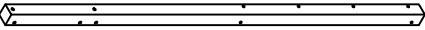
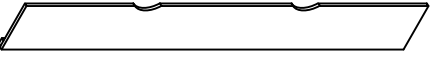

ASSEMBLY INSTRUCTIONS



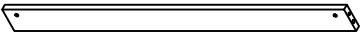
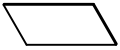

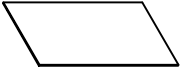

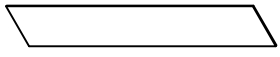
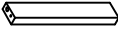
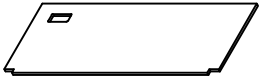

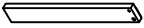




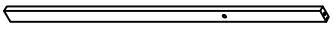


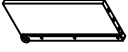





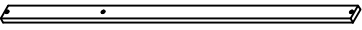
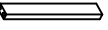
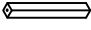
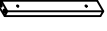
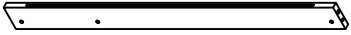

ASSEMBLY INSTRUCTIONS





















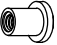
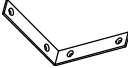









ASSEMBLY INSTRUCTIONS

1	Lower bunk leg		1pc	14	Side rails		1pc
2	Lower bunk leg		1pc	15	Back guard rails		1pc
3	Lower bunk leg		1pc	16	Front guard rails		1pc
4	Lower bunk leg		1pc	17	Back guard rails panel		1pc
5	Table leg		1pc	18	Front guard rails panel		1pc
6	Table leg		1pc	19	Headboard panel		2pcs
7	Upper bunk leg		1pc	21	Slats		7pcs
8	Upper bunk leg		1pc	24	Left stair side		1pc
9	Upper bunk leg		1pc	25	Right stair side		1pc
10	Upper bunk leg		1pc	49	Front trundle panel		1pc
11	Side rails		1pc	50	Back trundle panel		1pc
12	Side rails		1pc	52	Center rails (upper bunk)		1pc
13	Side rails		1pc	53	Center rails (lower bunk)		1pc

ASSEMBLY INSTRUCTIONS

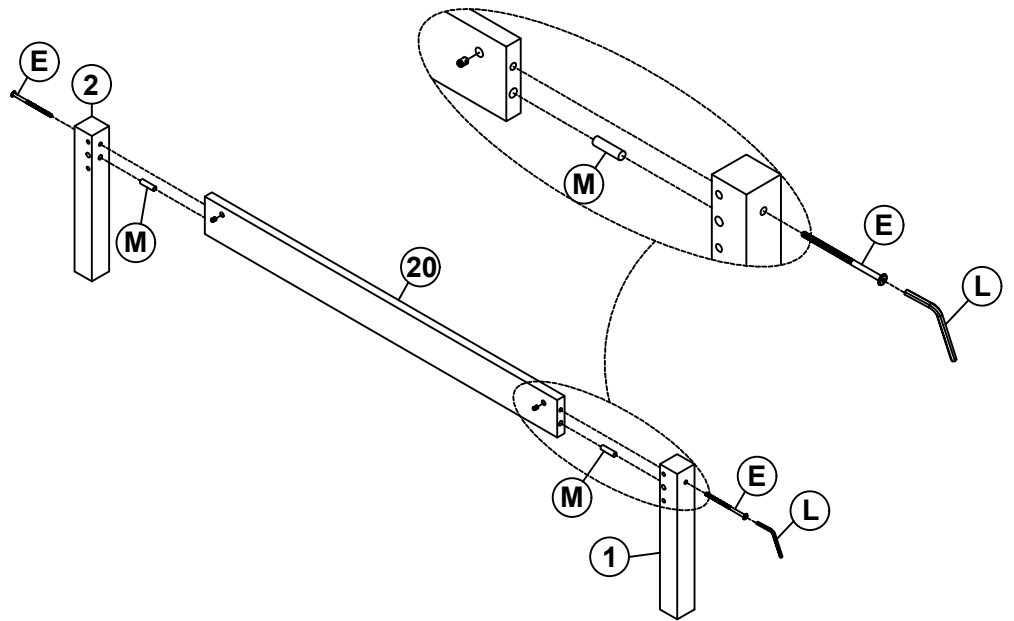
20	 Headboard panel	1pc	38	 Table frame panels	3pcs
22	 Headboard panel	1pc	39	 Table frame panel	1pc
23	 Headboard panel	2pcs	40	 Table frame panel	3pcs
26	 Step stair	4pcs	41	 Table top panel	1pc
27	 Table crossbar	1pc	42	 Drawers support panel	3pcs
28	 Table crossbar	1pc	43	 Drawers support panel	3pcs
29	 Table crossbar	2pcs	44	 Front drawers panel	3pcs
30	 Table crossbar	1pc	45	 Back drawers panel	3pcs
31	 Drawers support	1pc	46	 Left drawers panel	3pcs
32	 Drawers support	1pc	47	 Right drawers panel	3pcs
33	 Table frame	1pc	48	 Bottom drawers panel	3pcs
34	 Table frame	2pcs	51	 Slats	28pcs
35	 Table frame	2pcs	54	 Center rails support legs	3pcs
36	 Table frame	2pcs	55	 Headboard panel	1pc
37	 Table frame	2pcs			

ASSEMBLY INSTRUCTIONS

A	Ø4x30		98PCS	L	4x58		1PC
B	Ø4x25		10PCS	M	Ø10x40		34PCS
C	Ø4x15		32PCS	N	Ø8x30		18PCS
D	Ø3.5x12		10PCS	O	Ø 6.5x35		24PCS
E	1/4x90	 	46PCS	P	Ø12x10		24PCS
F	1/4x75	 	8PCS	Q			1PC
G	1/4x60	 	9PCS	R	Ø38x46x38		4PCS
H	1/4x60	 	2PCS	S	95x95x20		2PCS
I	1/4x55	 	4PCS	T	40x20x20		2PCS
J	1/4x40	 	5PCS	U	1/4x25		3PCS
K	6.5x60		18PCS	V	18x18x2		4PCS
					Phillip head screw Not include		

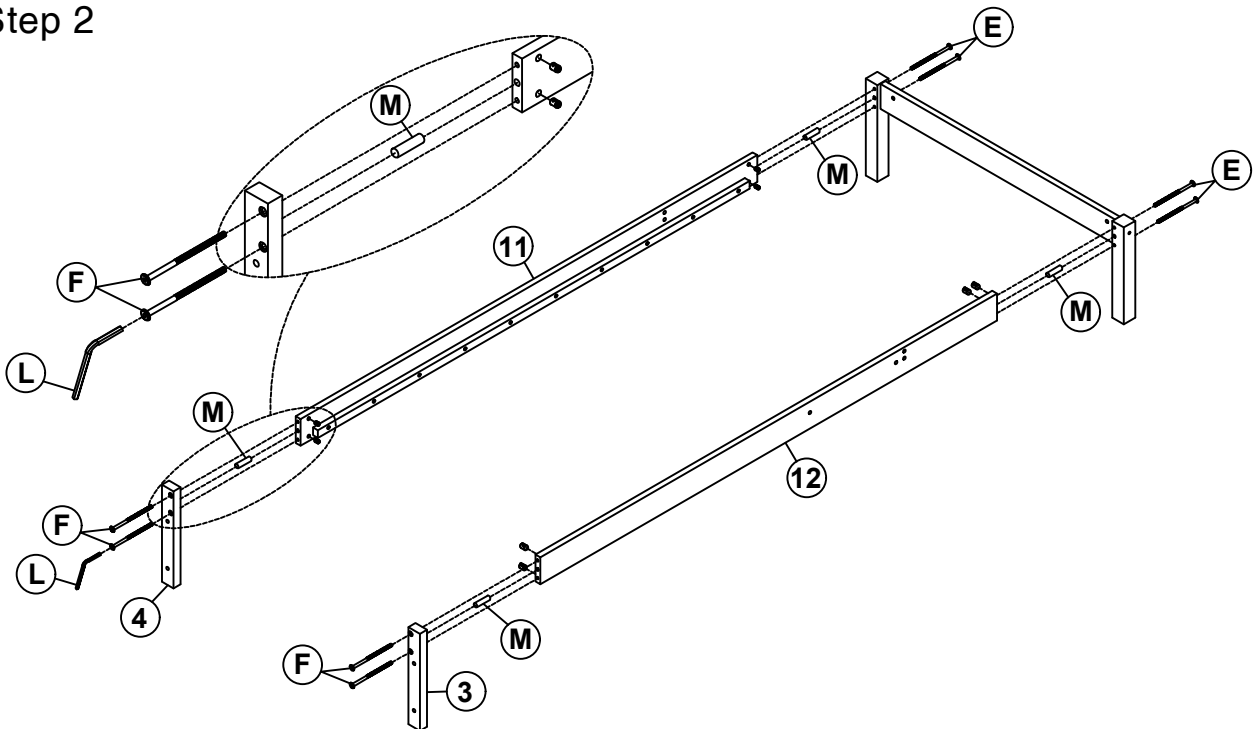
ASSEMBLY INSTRUCTIONS

Step 1



L	4x58		1PC
E	1/4x90		2PCS
M	Ø10x40		2PCS

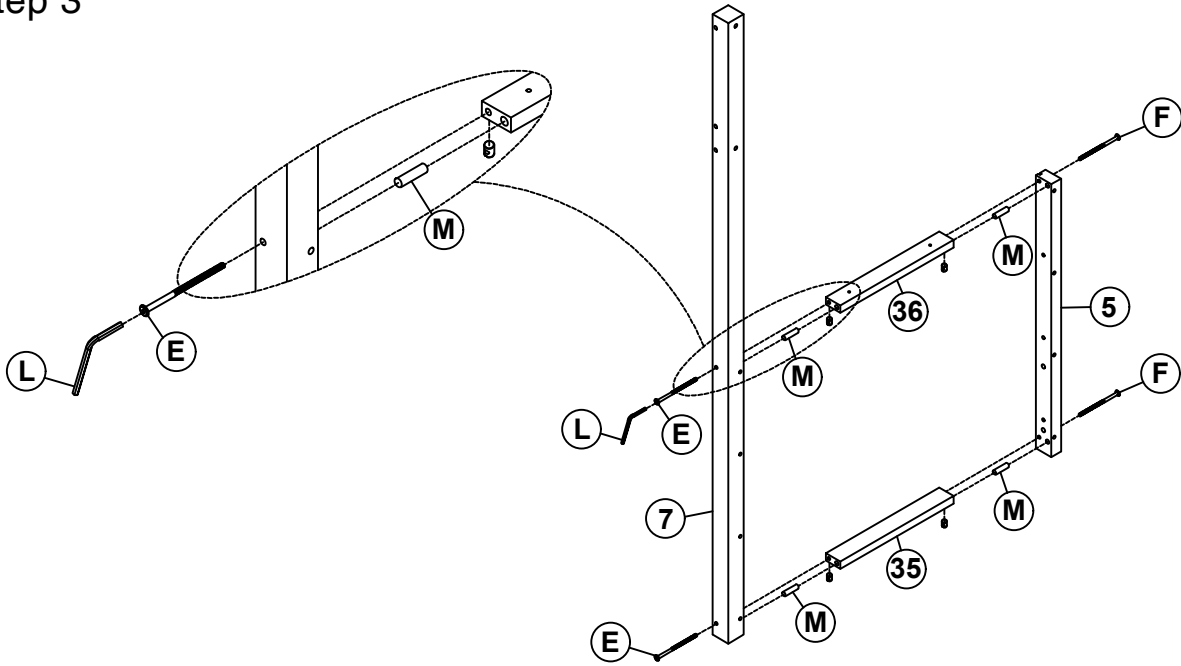
Step 2







F	1/4x75		4PCS	L	4x58		1PC
E	1/4x90		4PCS	M	Ø10x40		4PCS

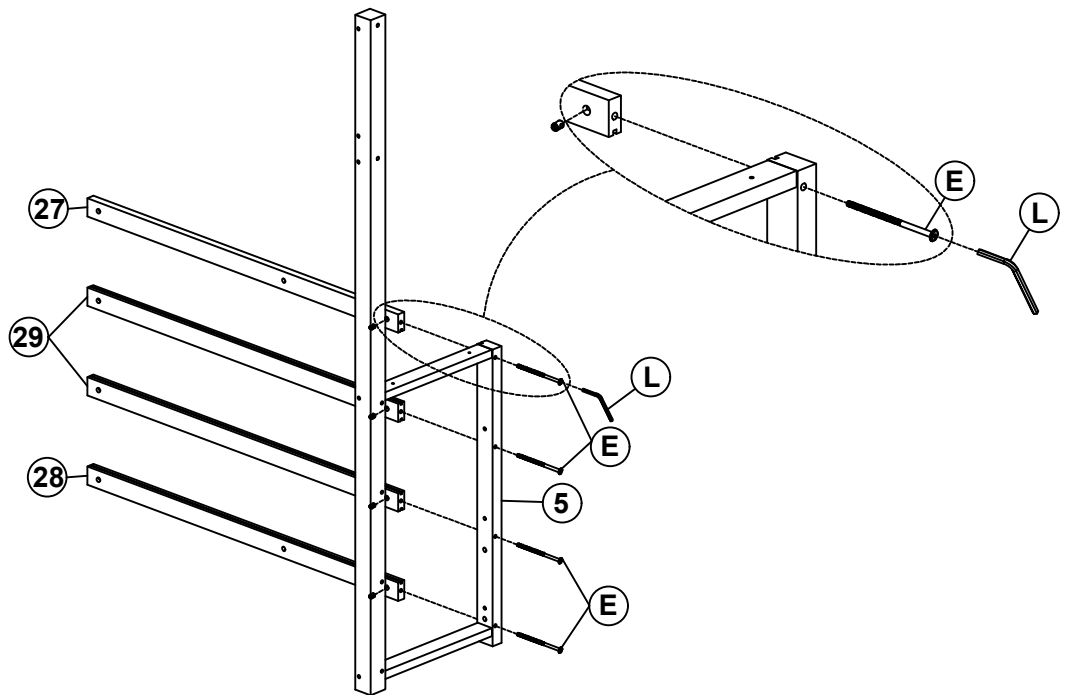
ASSEMBLY INSTRUCTIONS

Step 3



F	1/4x75		2PCS	L	4x58		1PC
E	1/4x90		2PCS	M	Ø10x40		4PCS

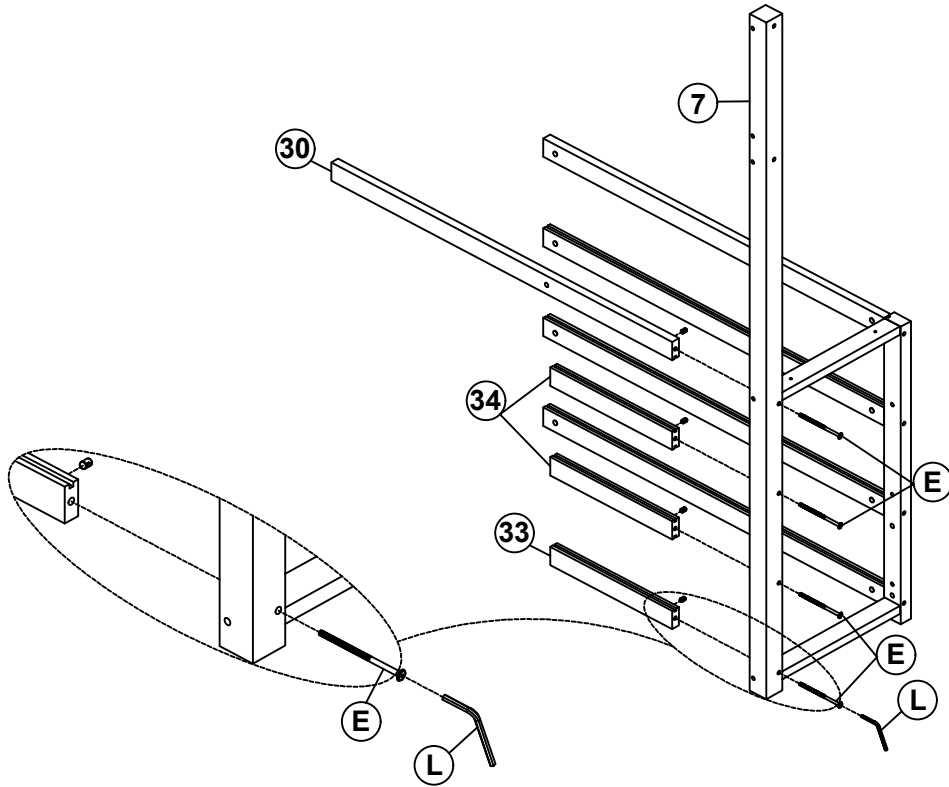
Step 4





E	1/4x90		4PCS	L	4x58		1PC
----------	--------	---	------	----------	------	---	-----

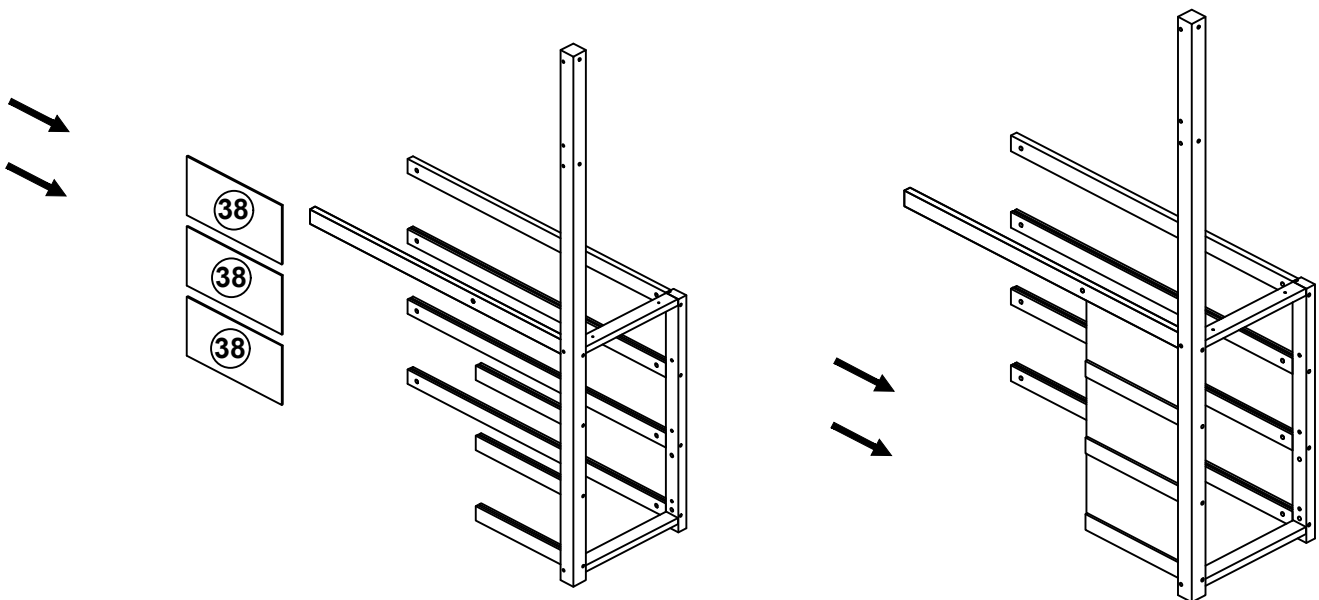
ASSEMBLY INSTRUCTIONS

Step 5



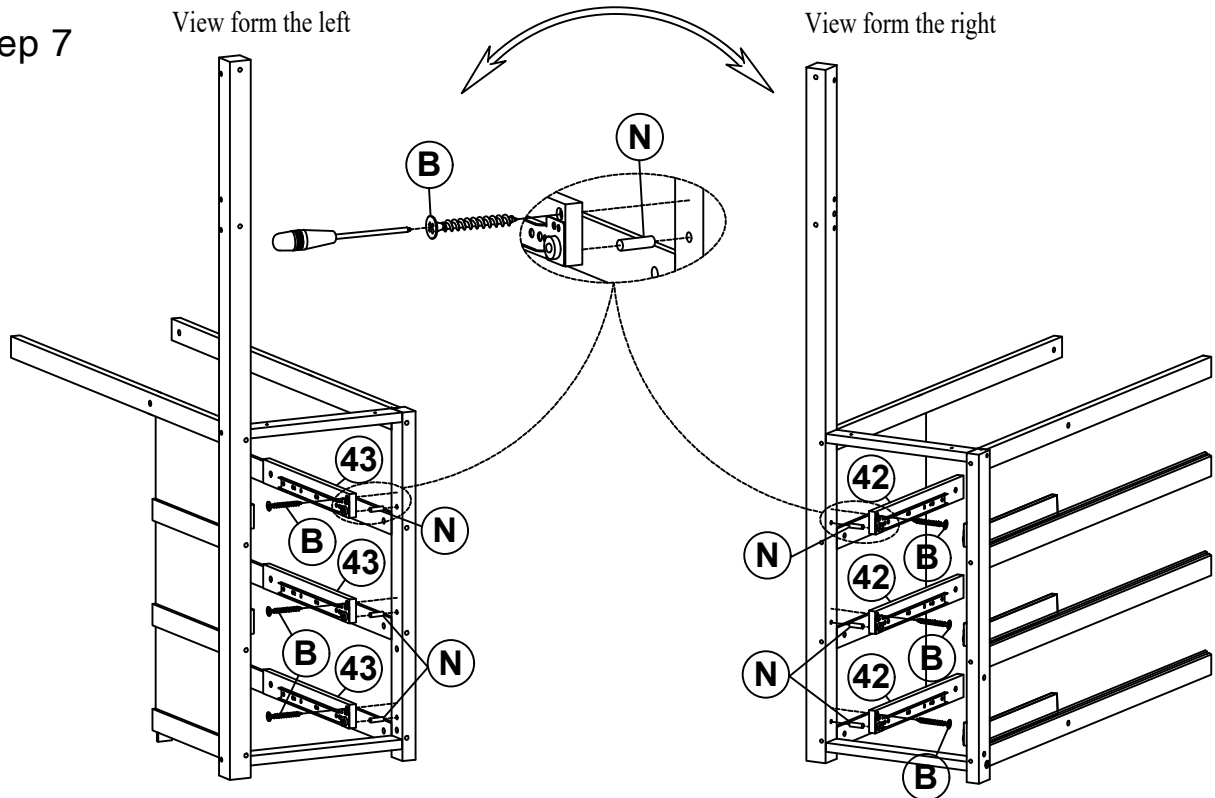
E	1/4x90		4PCS	L	4x58		1PC
----------	--------	---	------	----------	------	---	-----

Step 6



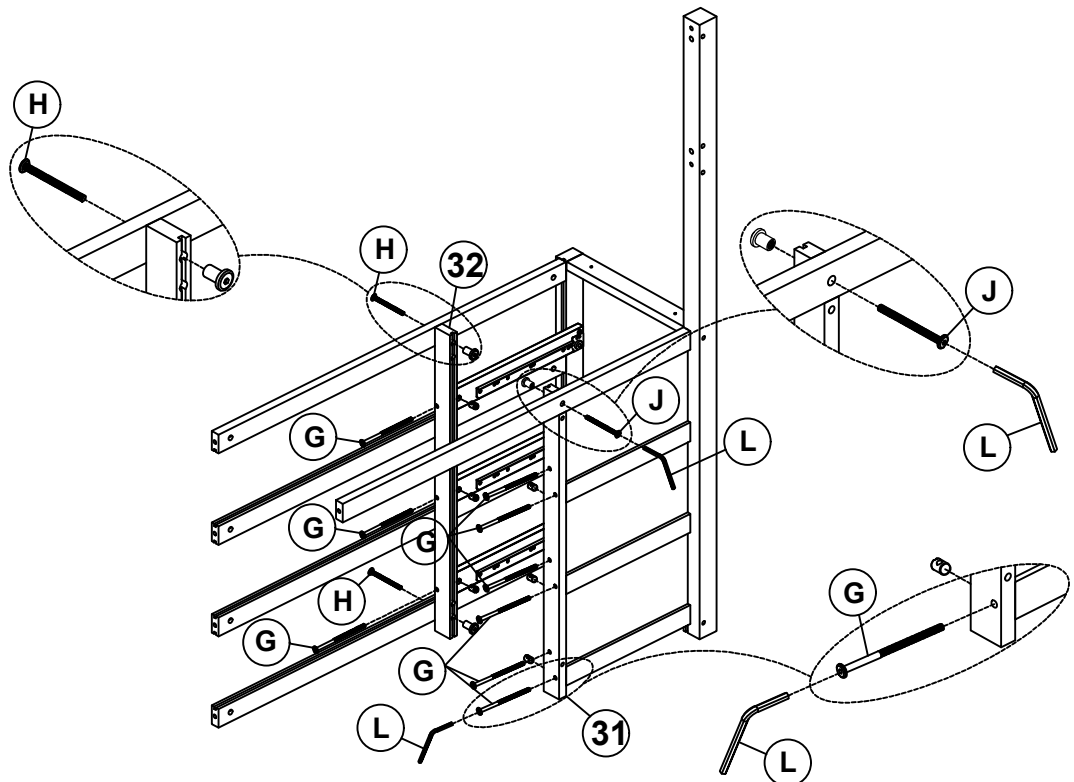
ASSEMBLY INSTRUCTIONS

Step 7



N	Ø8x30		6PCS	B	Ø4x25		6PCS
----------	-------	--	------	----------	-------	--	------

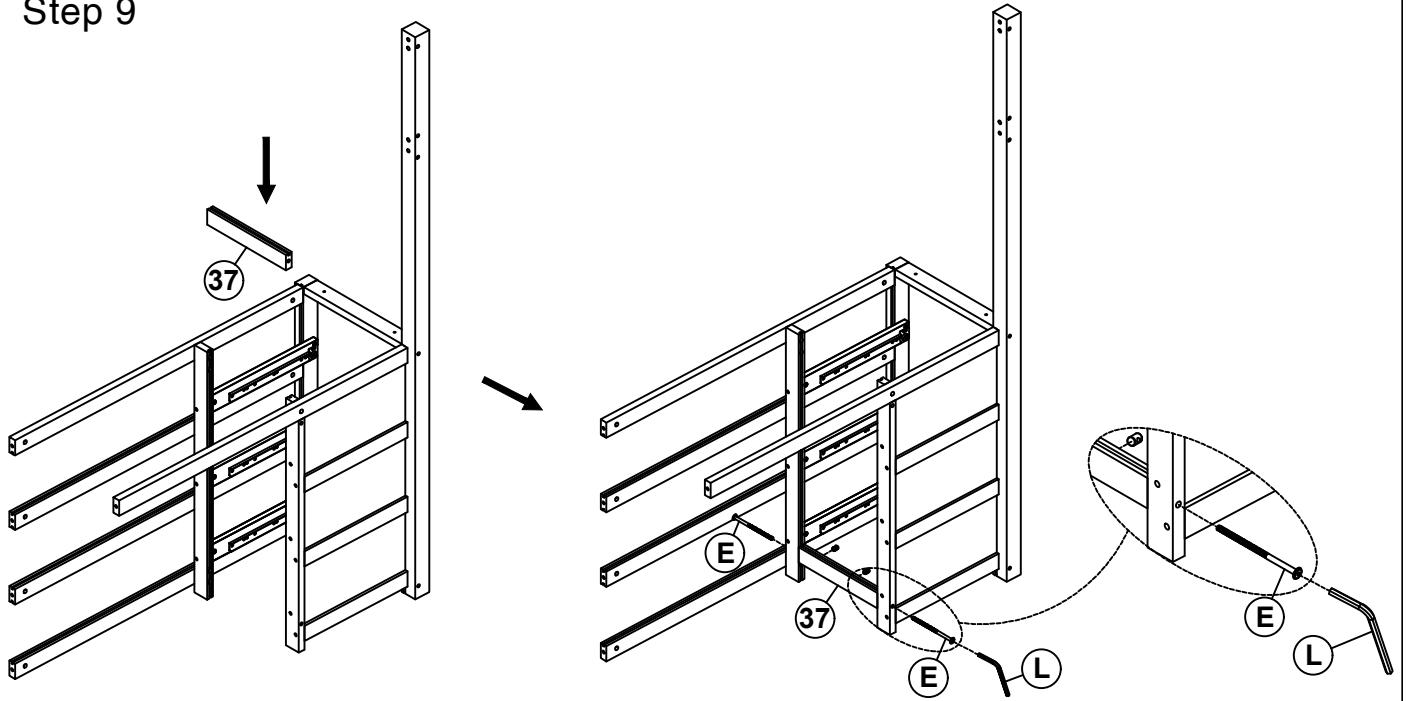
Step 8





J	1/4x40		1PC	L	4x58		1PC
H	1/4x60		2PCS	G	1/4x60		9PCS

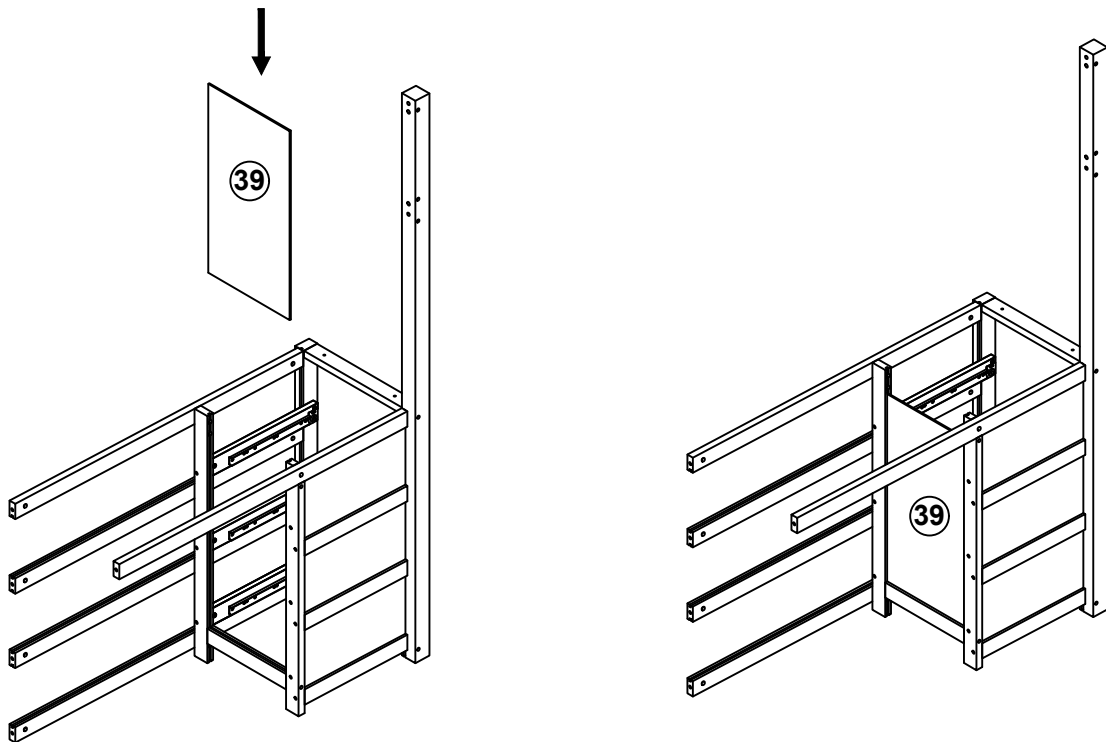
ASSEMBLY INSTRUCTIONS

Step 9



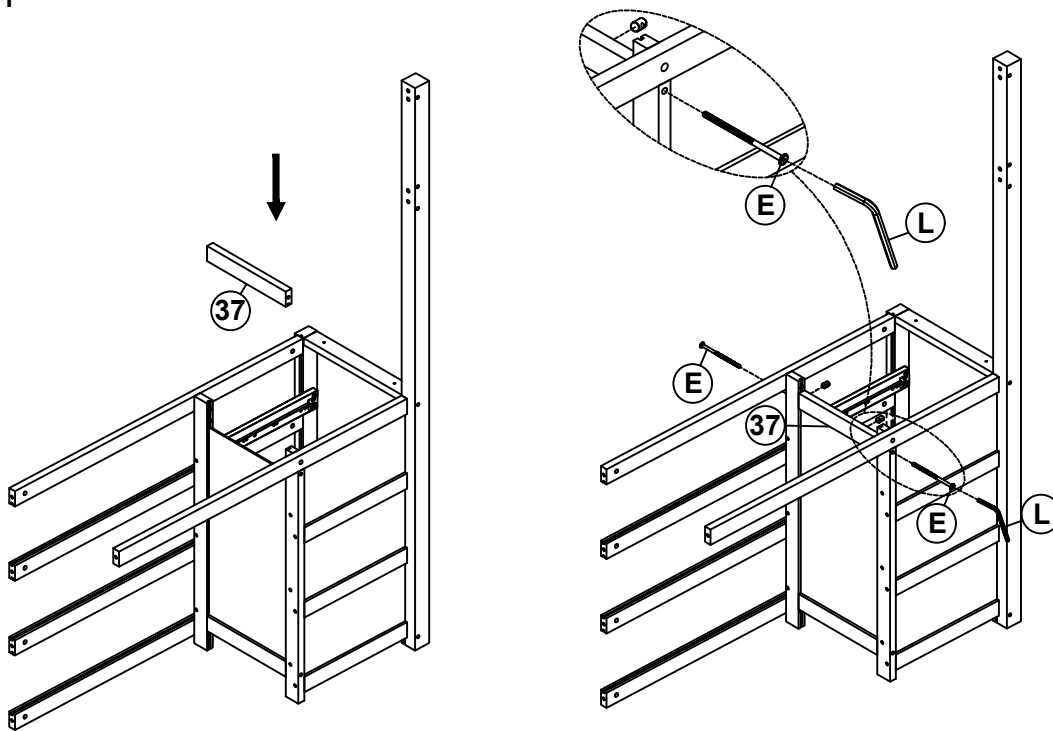
E	1/4x90		2PCS	L	4x58		1PC
----------	--------	---	------	----------	------	---	-----

Step 10



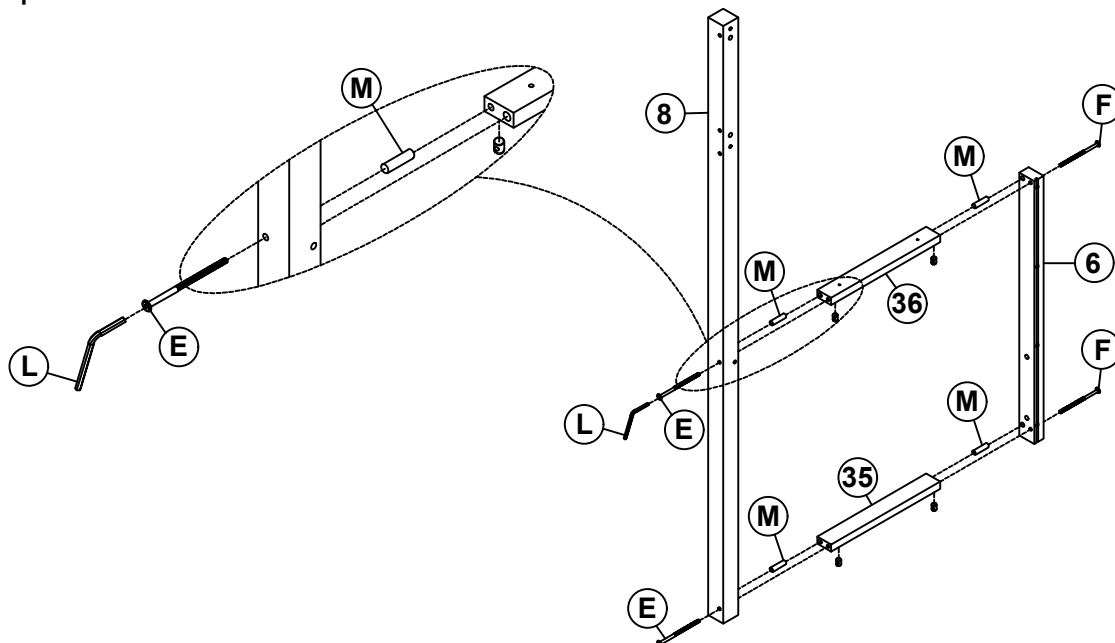
ASSEMBLY INSTRUCTIONS

Step 11



E	1/4x90		2PCS	L	4x58		1PC
----------	--------	--	------	----------	------	--	-----

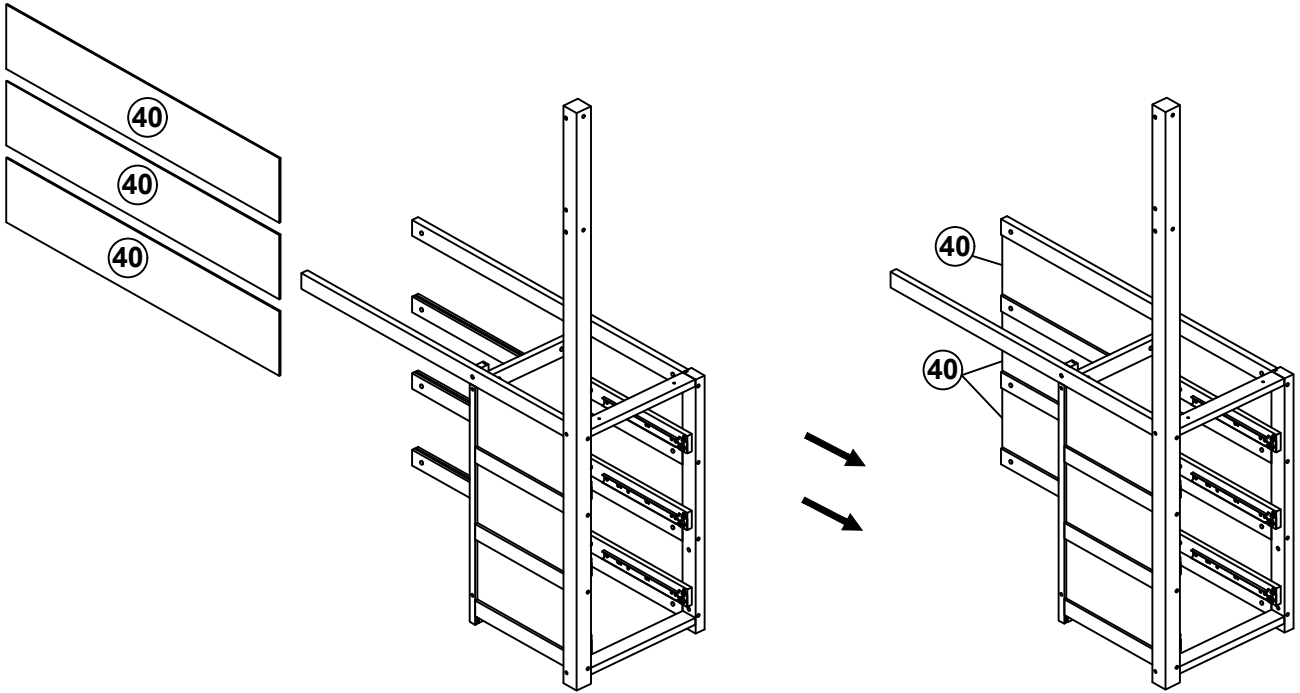
Step 12



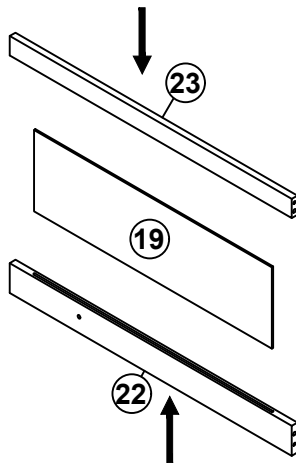
F	1/4x75		2PCS	L	4x58		1PC
E	1/4x90		2PCS	M	Ø10x40		4PCS

ASSEMBLY INSTRUCTIONS

Step 13

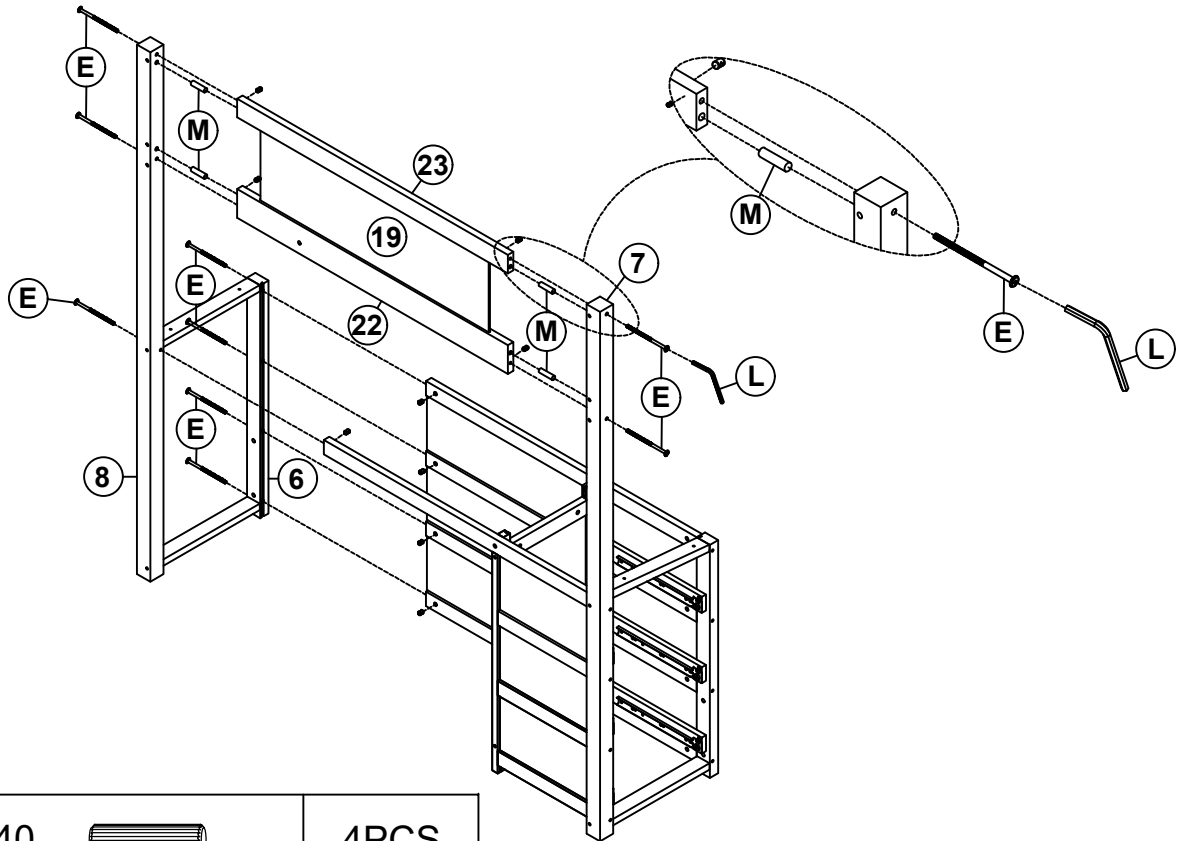





Step 14



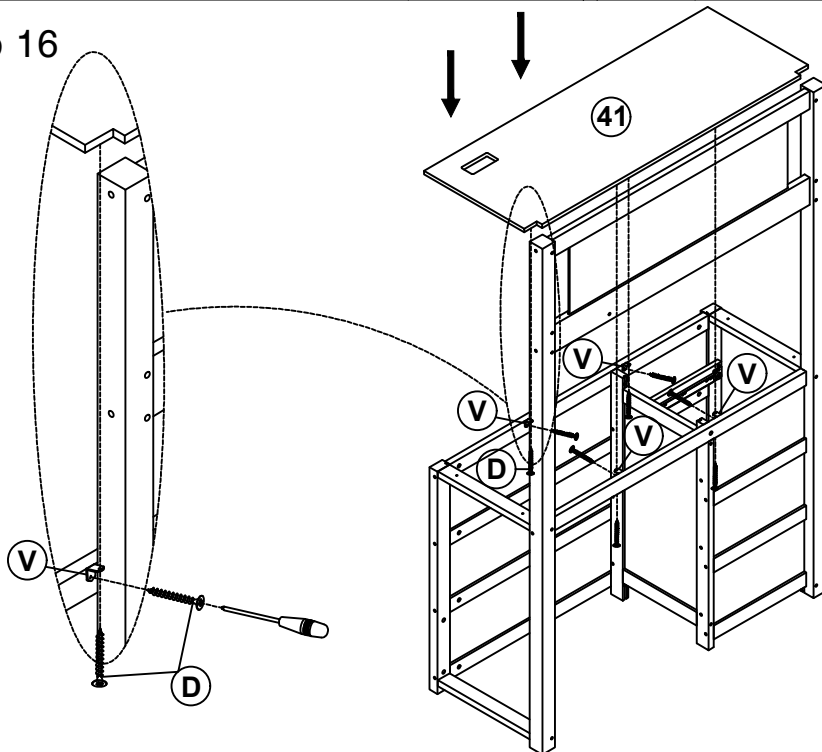
ASSEMBLY INSTRUCTIONS

Step 15



M	Ø10x40		4PCS			
E	1/4x90		9PCS	L	4x58	 1PC

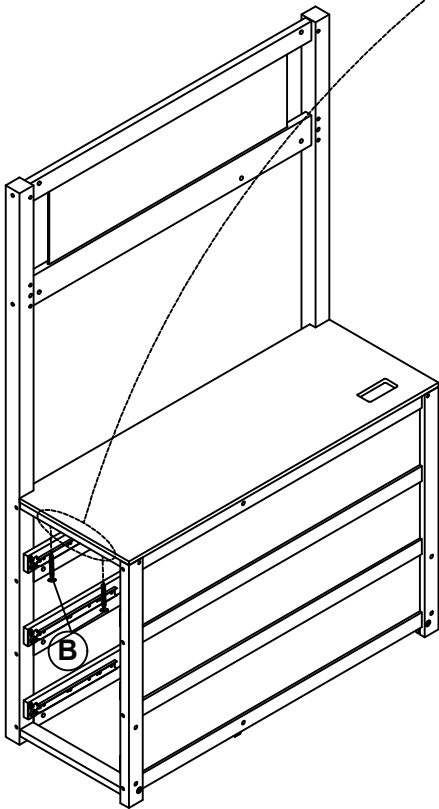
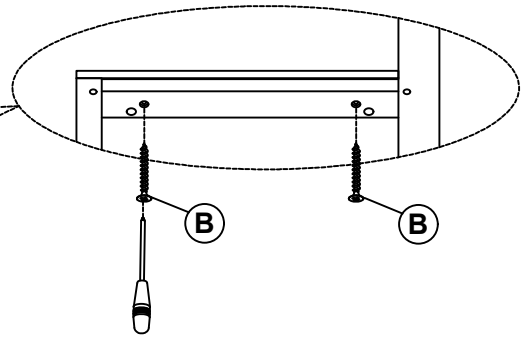
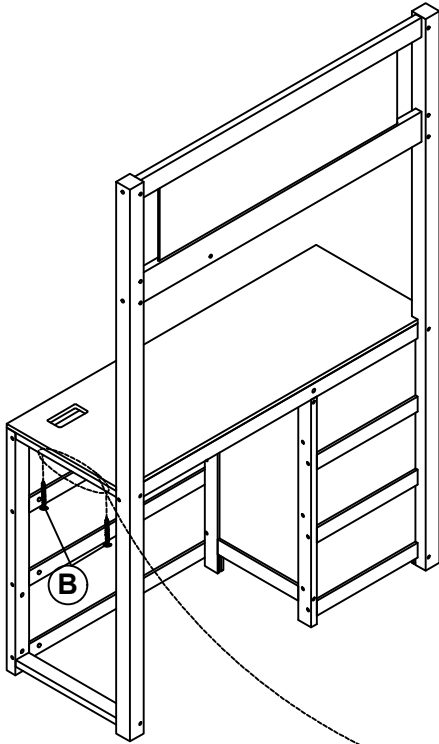
Step 16



V	18x18x2		4PCS	D	Ø3.5x12	 8PCS
----------	---------	---	------	----------	---------	--

ASSEMBLY INSTRUCTIONS

Step 17



B

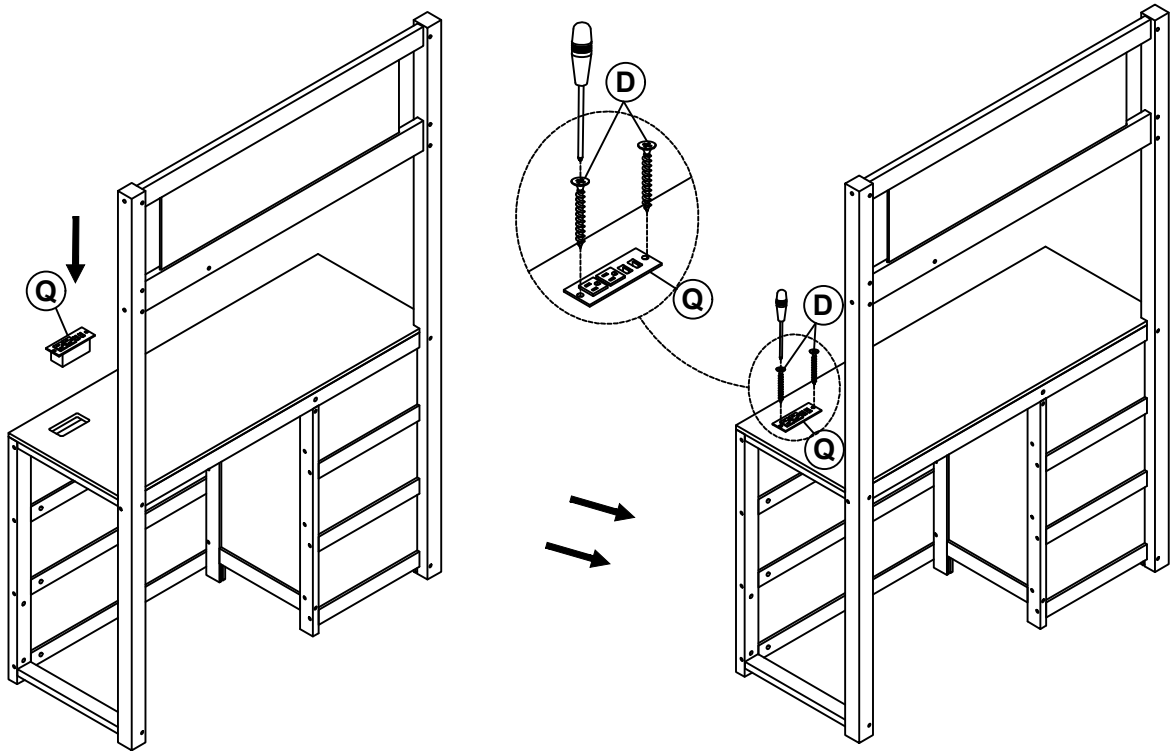
Ø4x25



4PCS

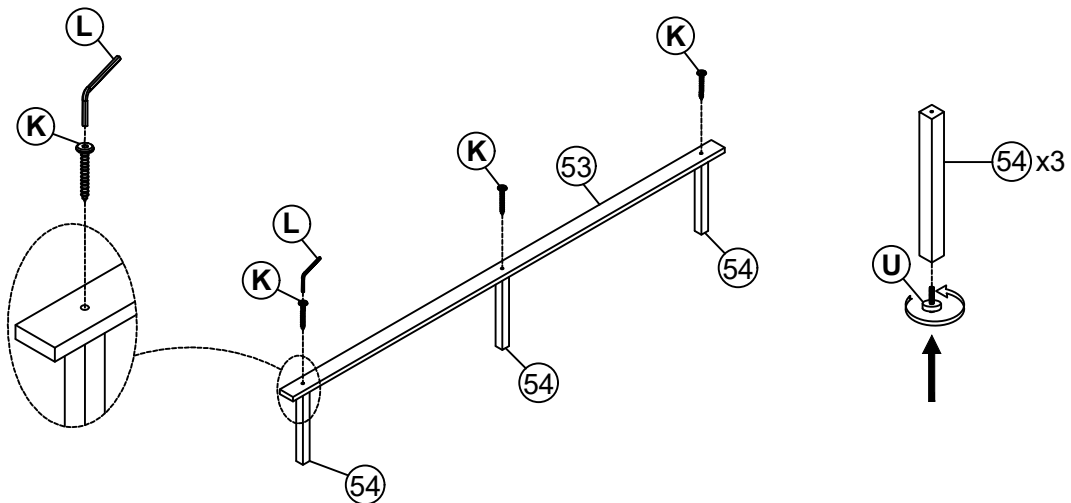
ASSEMBLY INSTRUCTIONS

Step 18



Q		1PC	D	Ø3.5x12		2PCS
----------	--	-----	----------	---------	--	------

Step 19



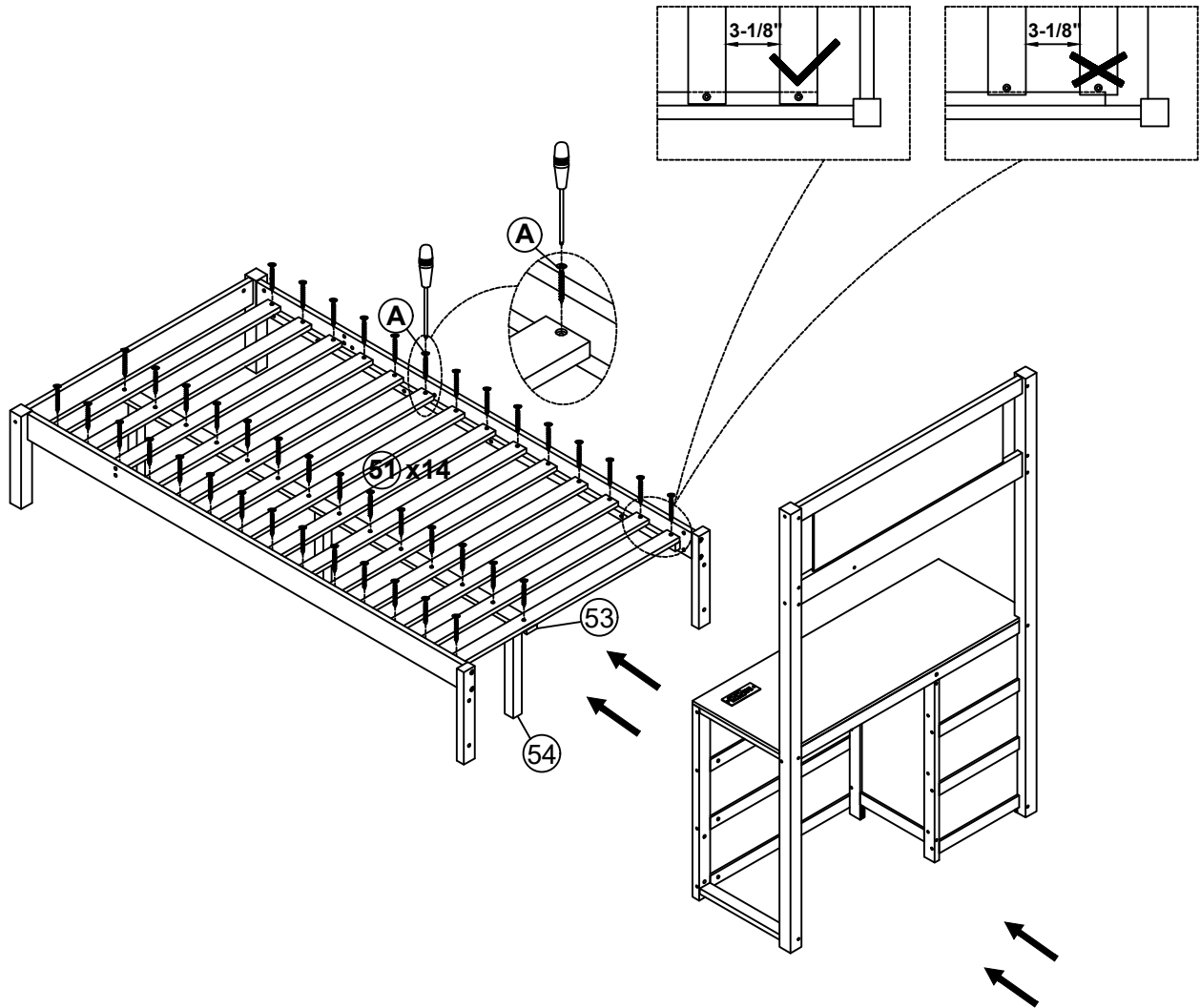
U	1/4x25		3PCS
----------	--------	--	------

K	6.5x60		3PCS	L	4x58		1PC
----------	--------	--	------	----------	------	--	-----

ASSEMBLY INSTRUCTIONS

Step 20

First attach 2pcs part 51 to the front and end of the frame between headboard.
Then attach the remaining part 51 equidistantly between headboard



A

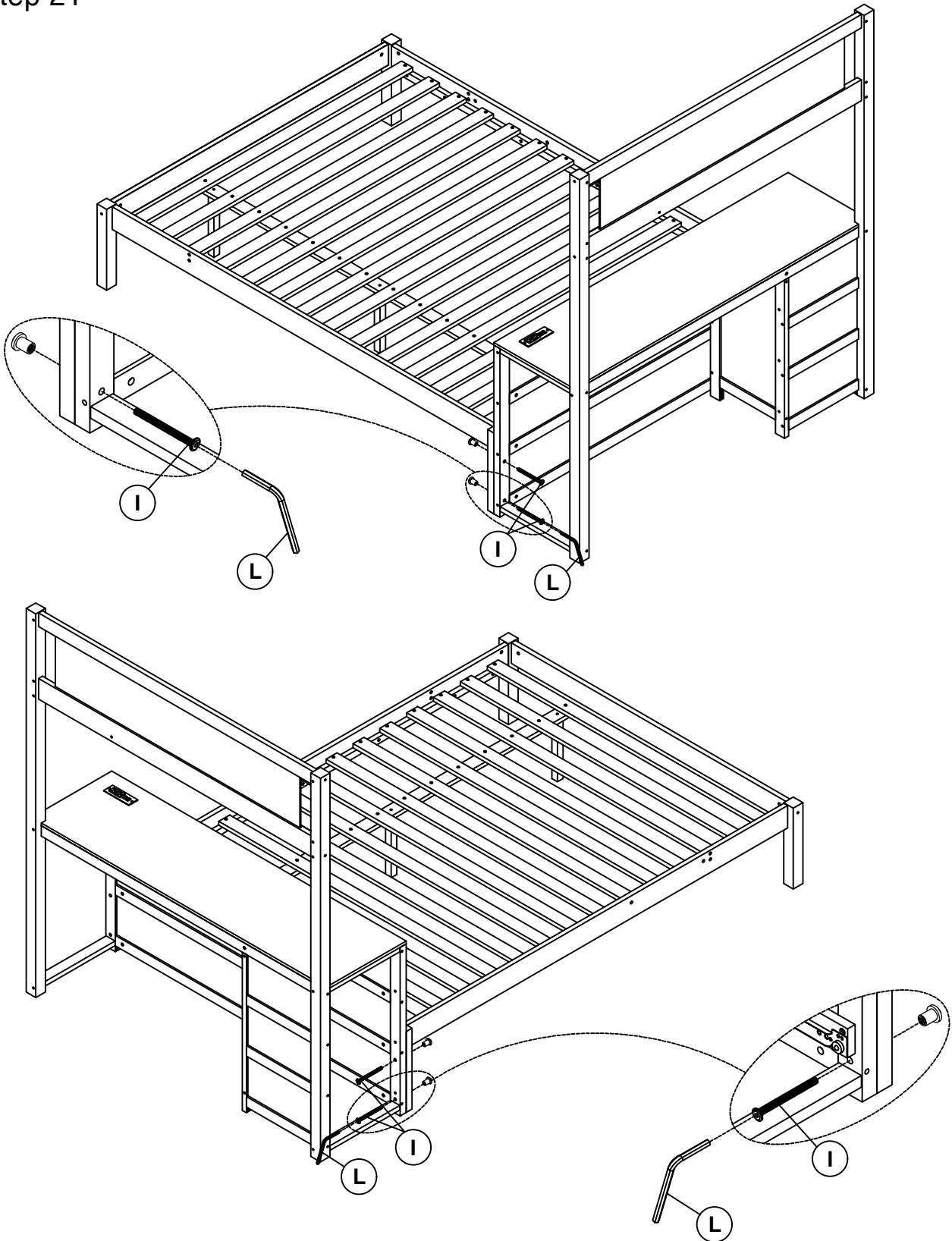
Ø4x30






42PCS

ASSEMBLY INSTRUCTIONS

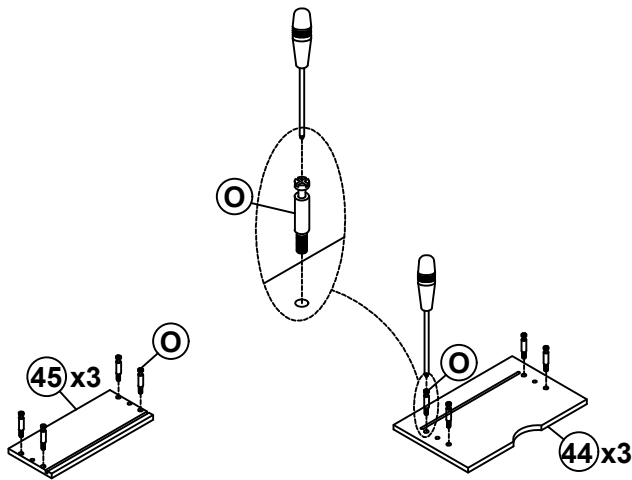
Step 21



I	1/4x55			4PCS	L	4x58		1PC
----------	--------	---	---	------	----------	------	---	-----

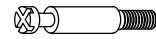
ASSEMBLY INSTRUCTIONS

Step 22



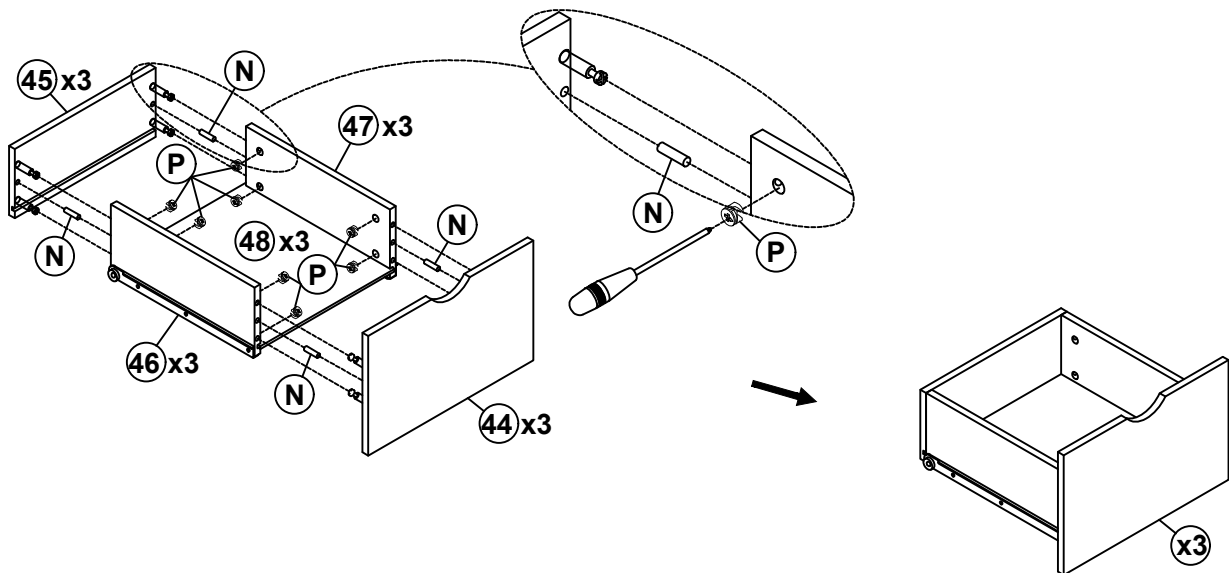
O

Ø 6.5x35



24PCS

Step 23



P

Ø12x10



24PCS

N

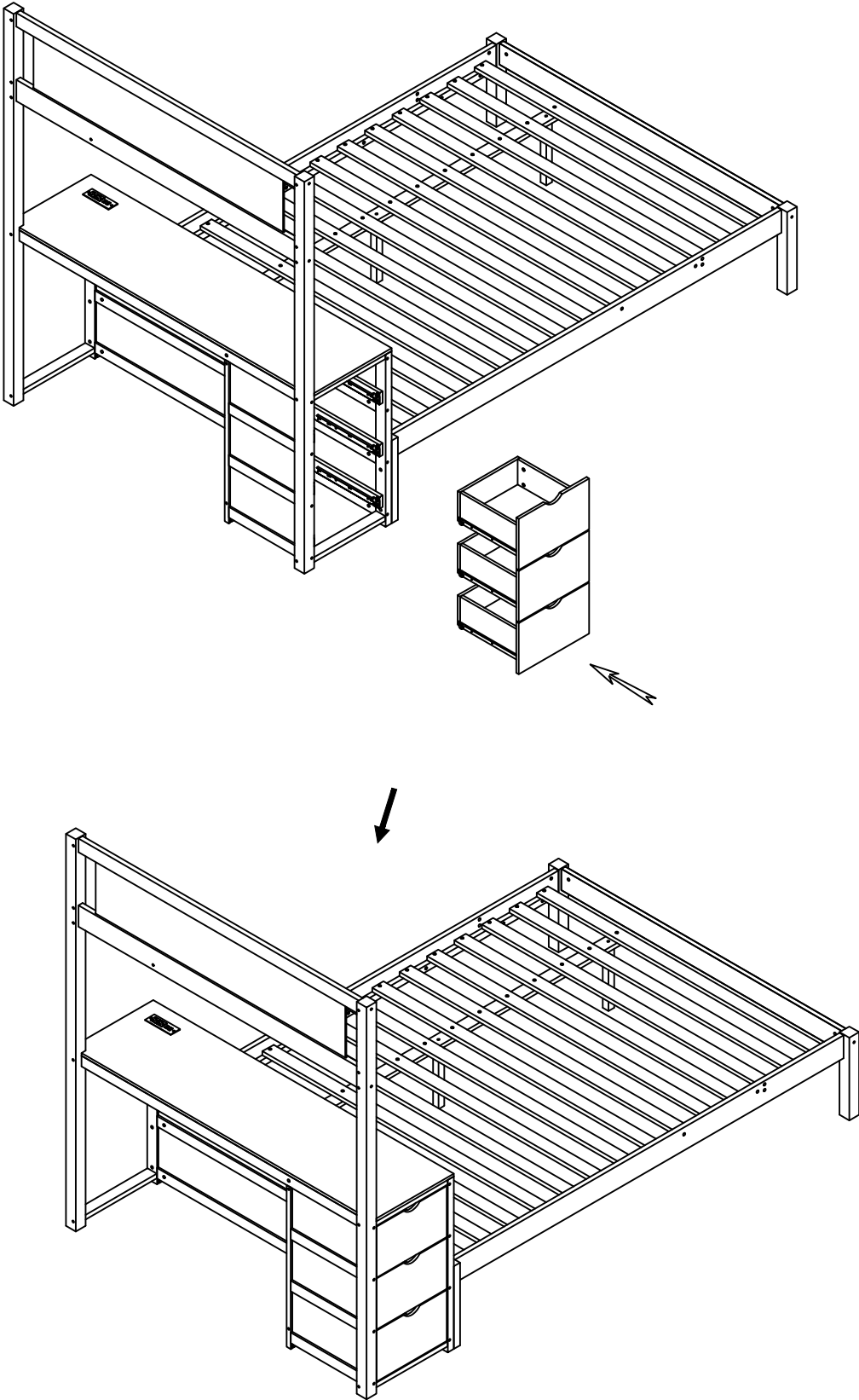
Ø8x30



12PCS

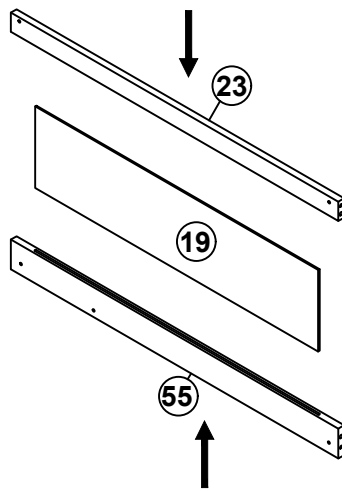
ASSEMBLY INSTRUCTIONS

Step 24

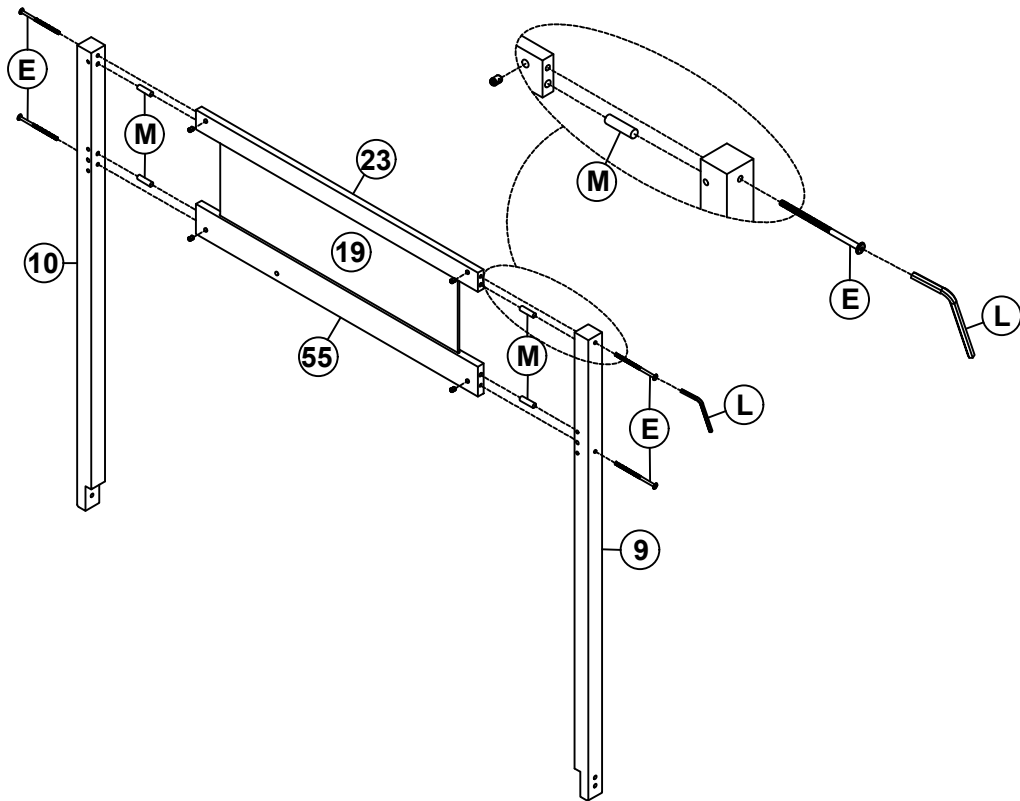




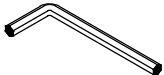
ASSEMBLY INSTRUCTIONS

Step 25



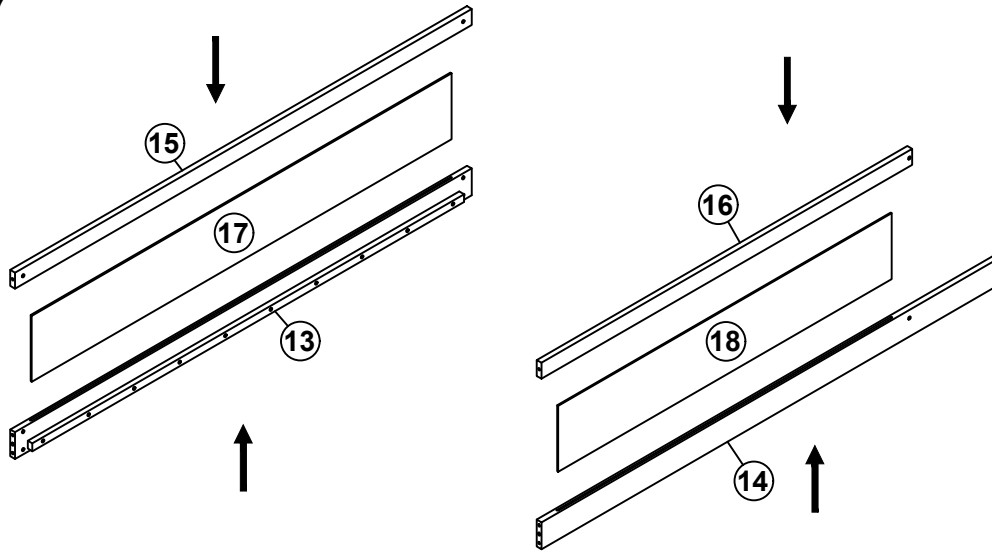
Step 26



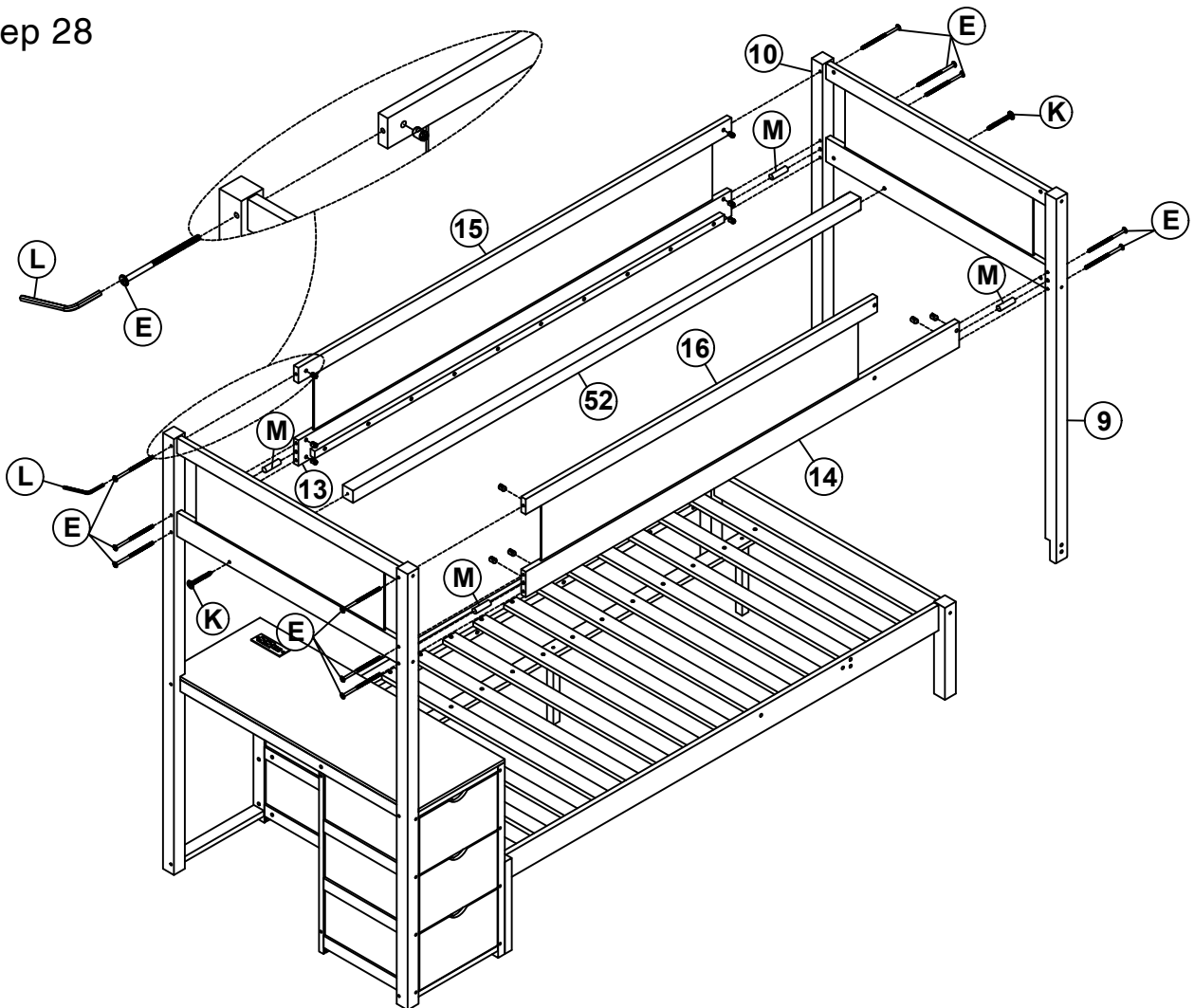
M	Ø10x40		4PCS			
E	1/4x90		4PCS	L	4x58	 1PC





ASSEMBLY INSTRUCTIONS

Step 27



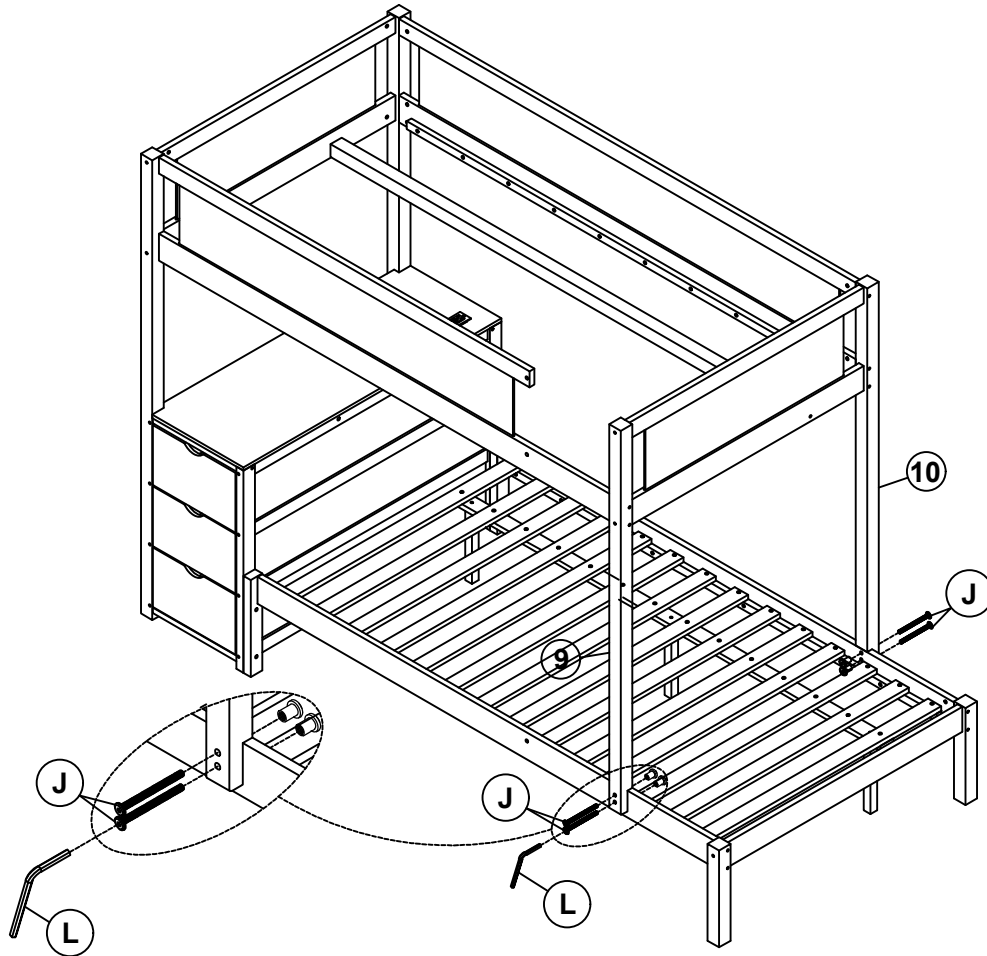
Step 28





K	6.5x60		2PCS	M	Ø10x40		4PCS
E	1/4x90		11PCS	L	4x58		1PC

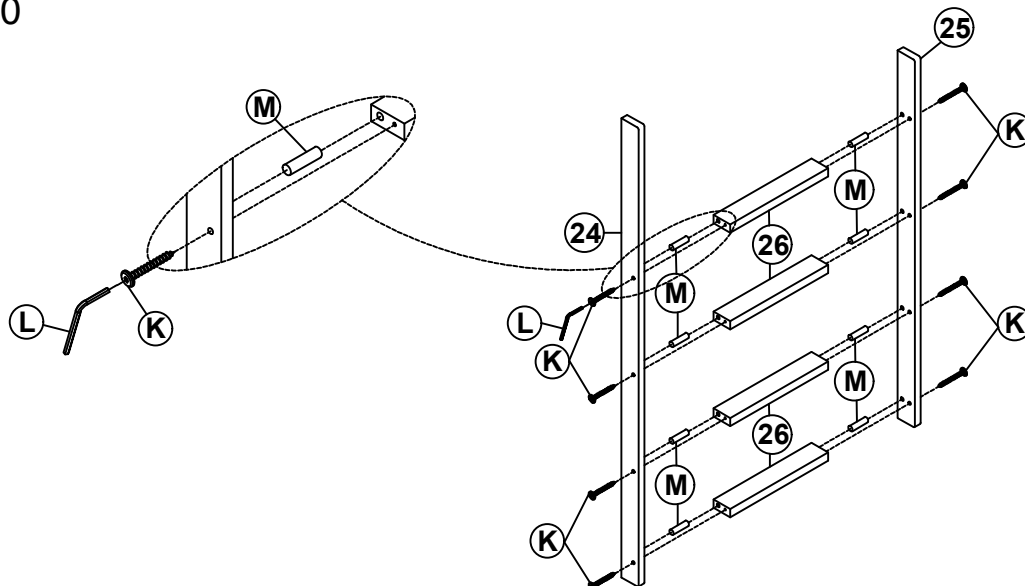
ASSEMBLY INSTRUCTIONS




Step 29



J	1/4x40		4PCS	L	4x58		1PC
----------	--------	---	------	----------	------	---	-----

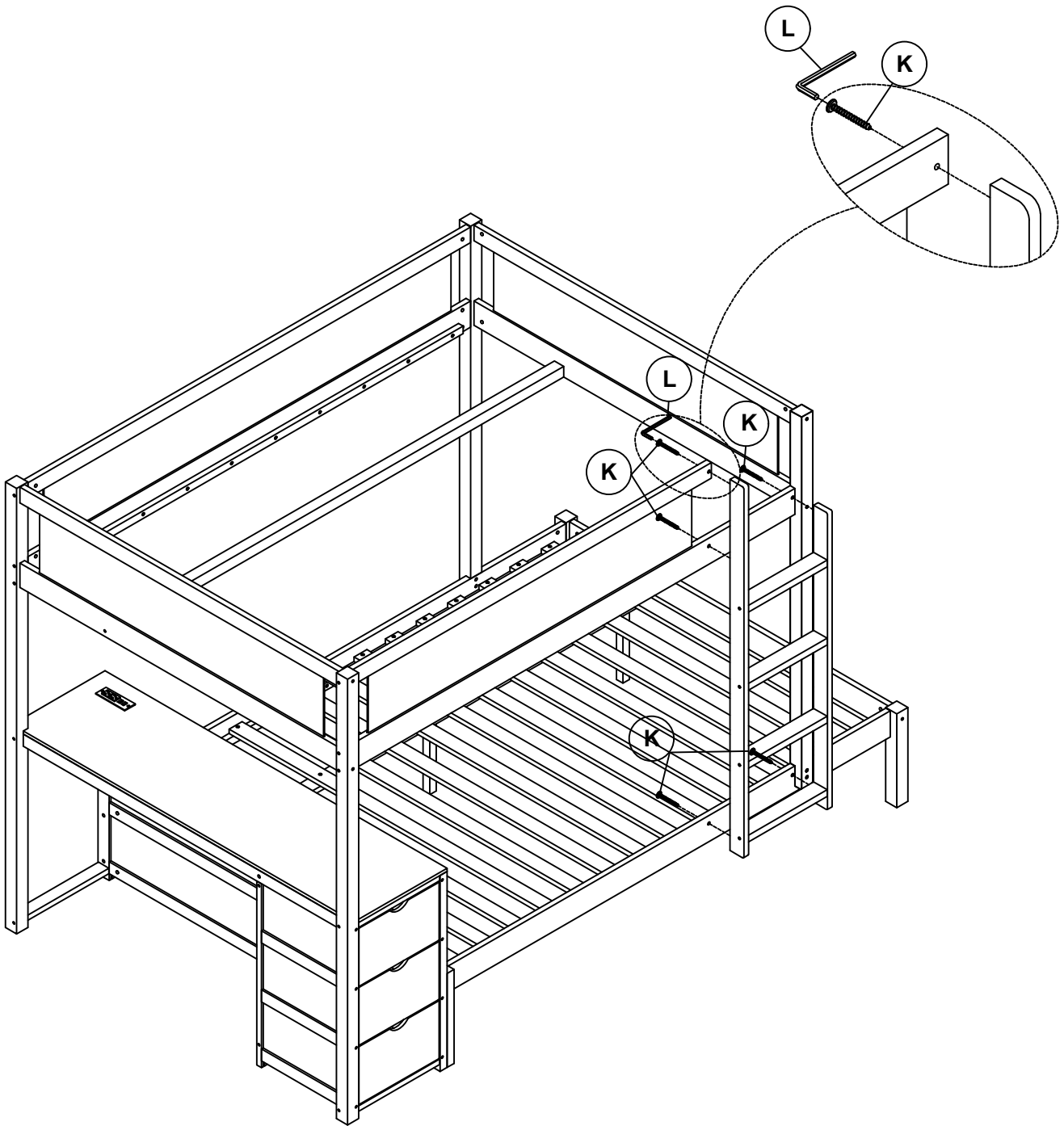
Step 30


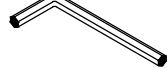


M	Ø10x40		8PCS	K	6.5x60		8PCS	L	4x58		1PC
----------	--------	---	------	----------	--------	---	------	----------	------	---	-----

ASSEMBLY INSTRUCTIONS

Step 31

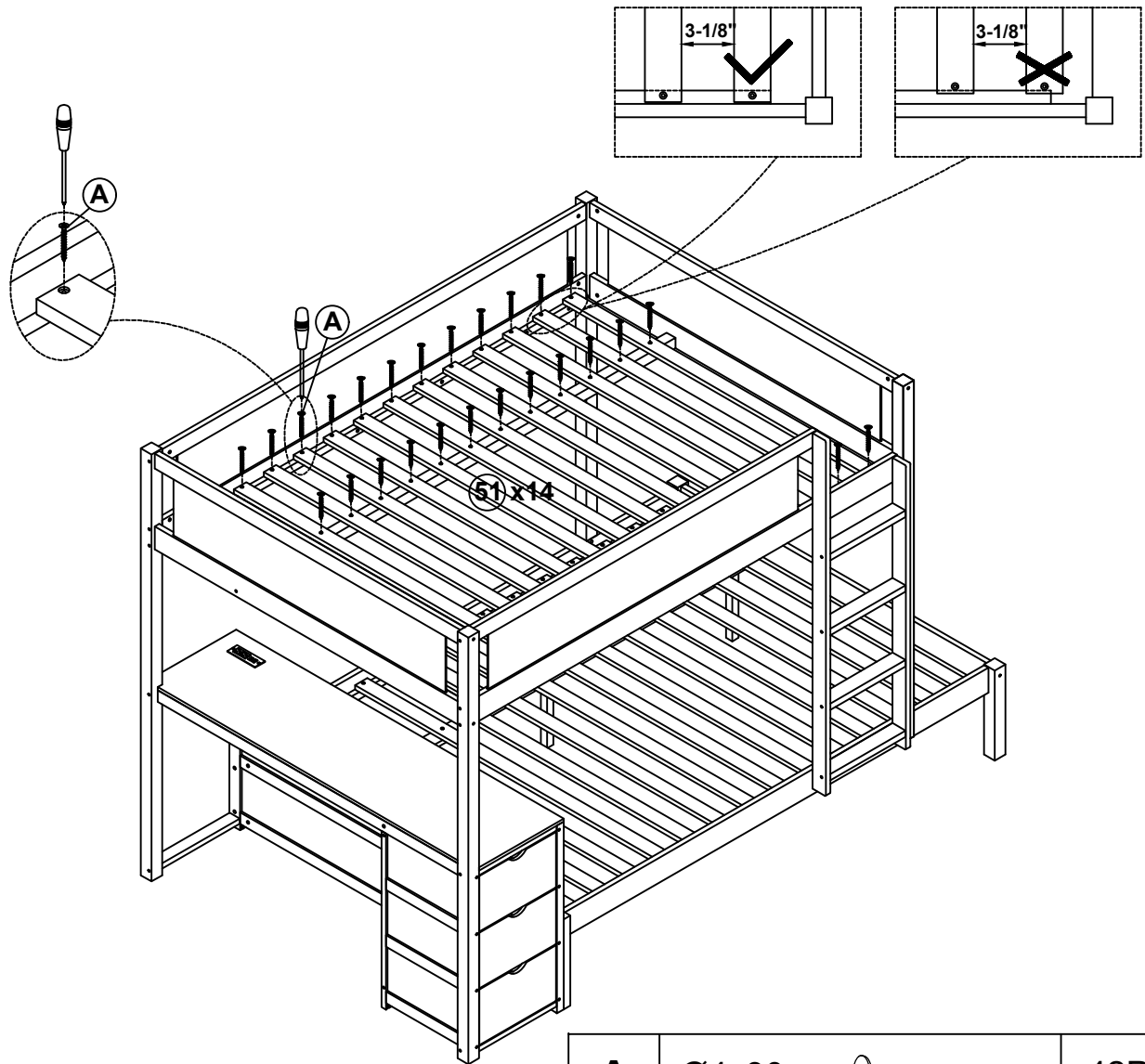



K	6.5x60		5PCS	L	4x58		1PC
----------	--------	---	------	----------	------	---	-----

ASSEMBLY INSTRUCTIONS

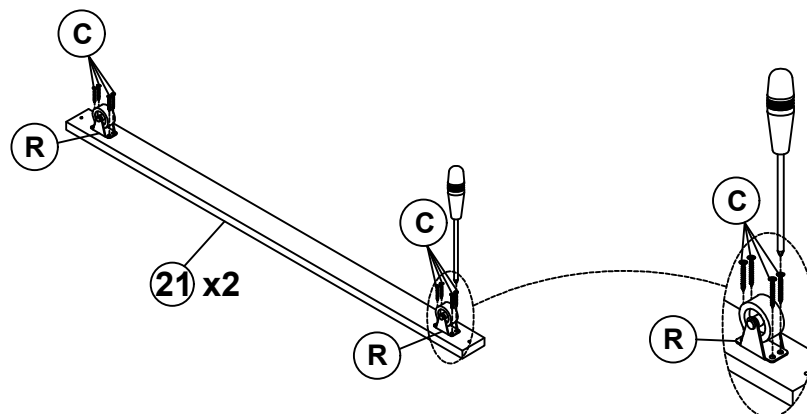
Step 32



First attach 2pcs part 51 to the front and end of the frame between headboard. Then attach the remaining part 51 equidistantly between headboard



A	Ø4x30		42PCS
----------	-------	---	-------

Step 33

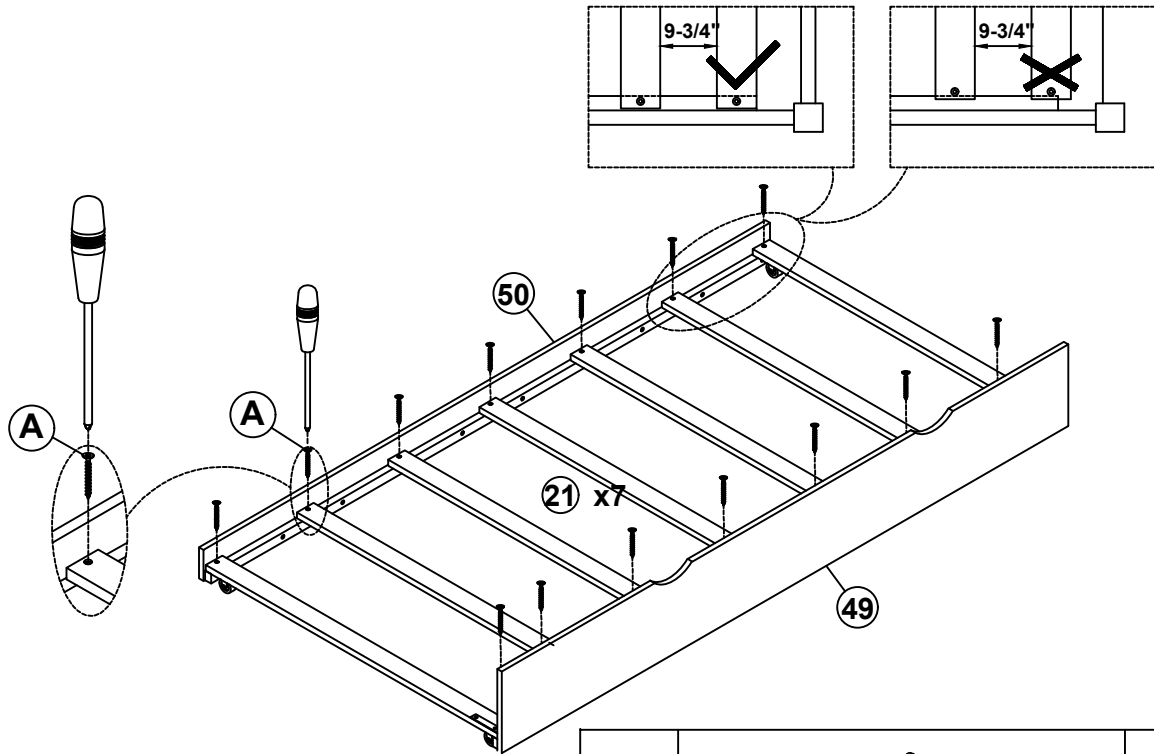


C	Ø4x15		16PCS	R	Ø38x46x38		4PCS
----------	-------	---	-------	----------	-----------	---	------

ASSEMBLY INSTRUCTIONS

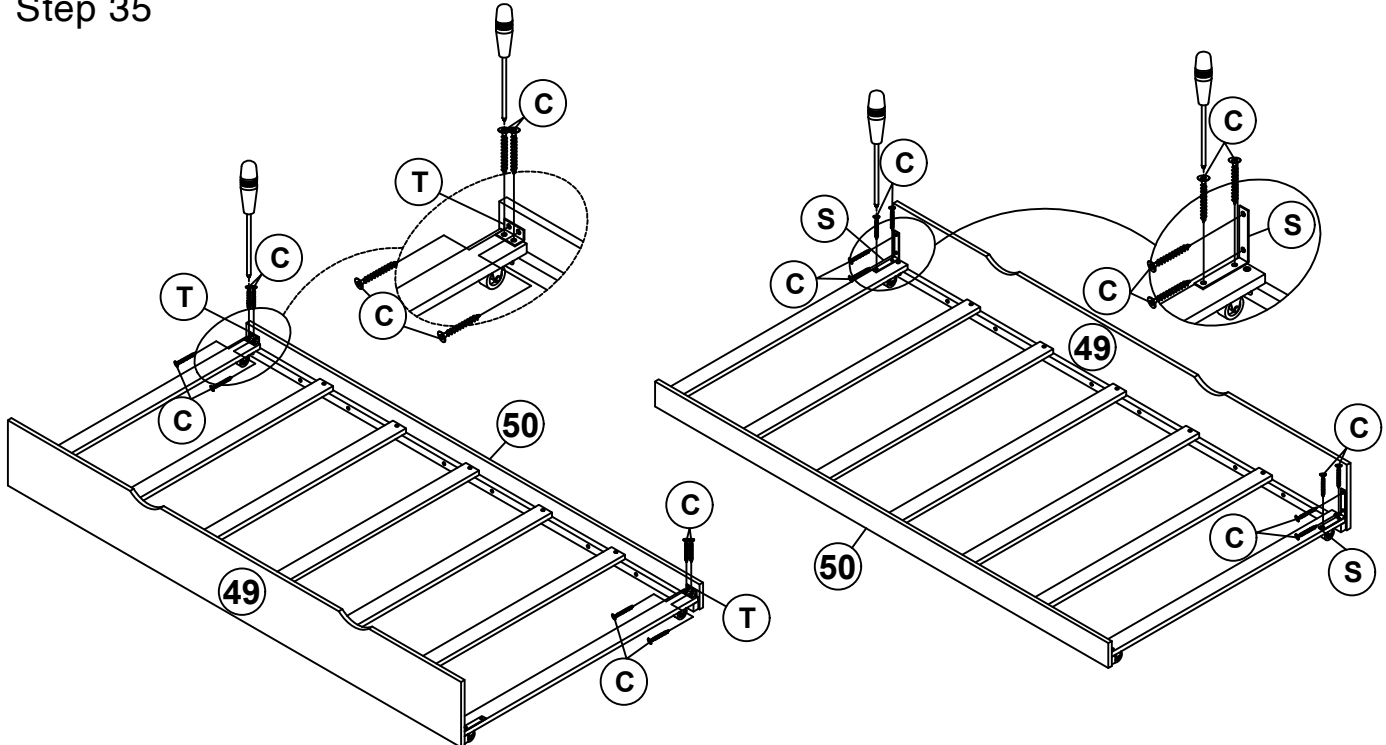
Step 34

First attach 2pcs part 21 to the front and end of the frame, between side rails. Then attach the remaining part 21 equidistantly between side rails.





A	Ø4x30		14PCS
----------	-------	---	-------

Step 35

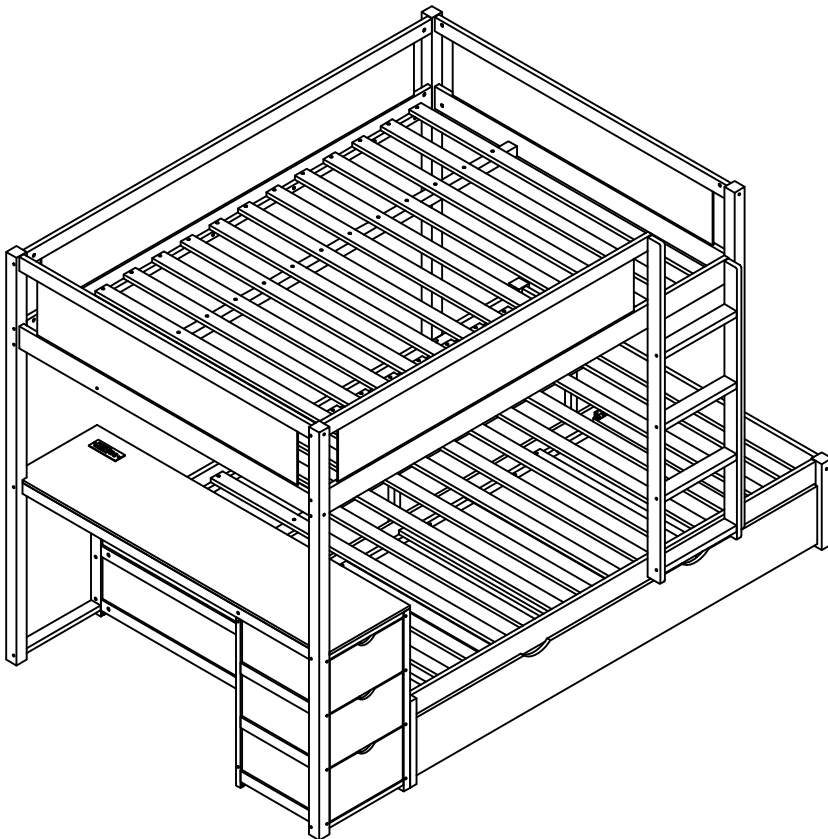
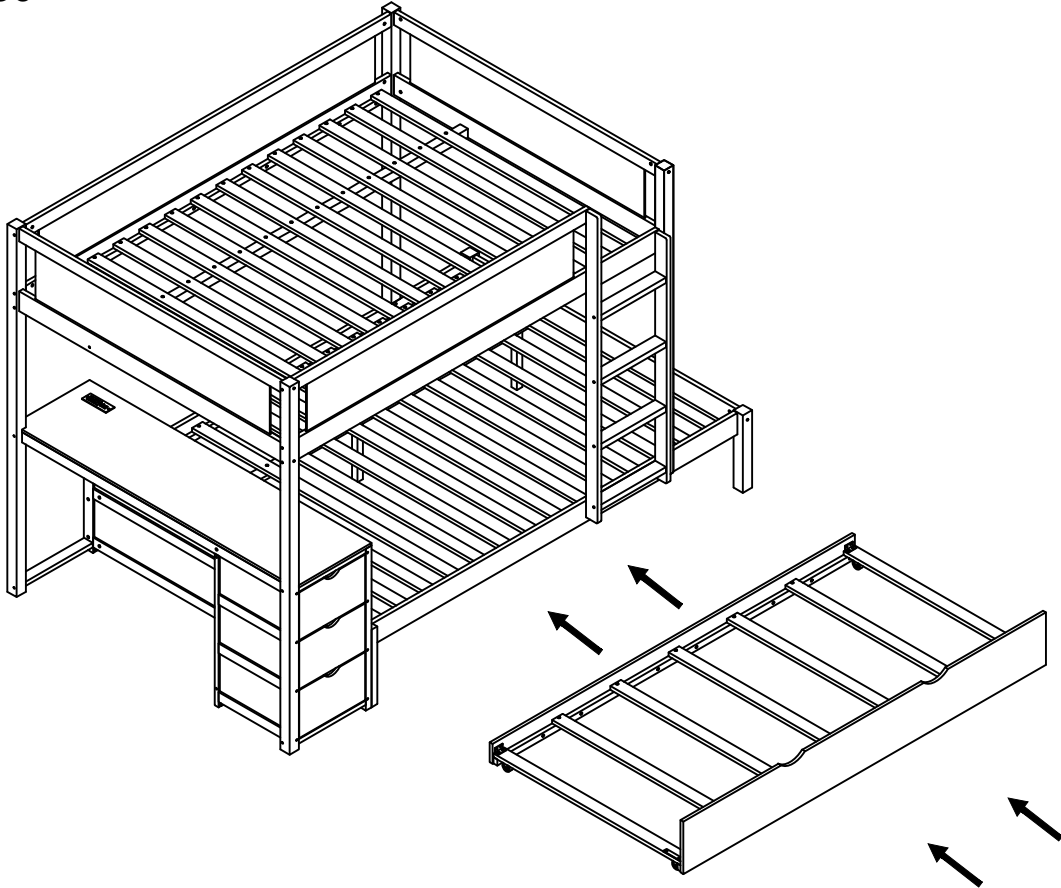


S	95x95x20		2PCS
----------	----------	---	------

C	Ø4x15		16PCS	T	40x20x20		2PCS
----------	-------	---	-------	----------	----------	---	------

ASSEMBLY INSTRUCTIONS

Step 36



Finished