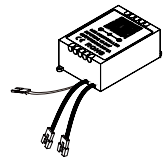
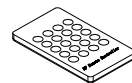
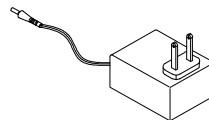
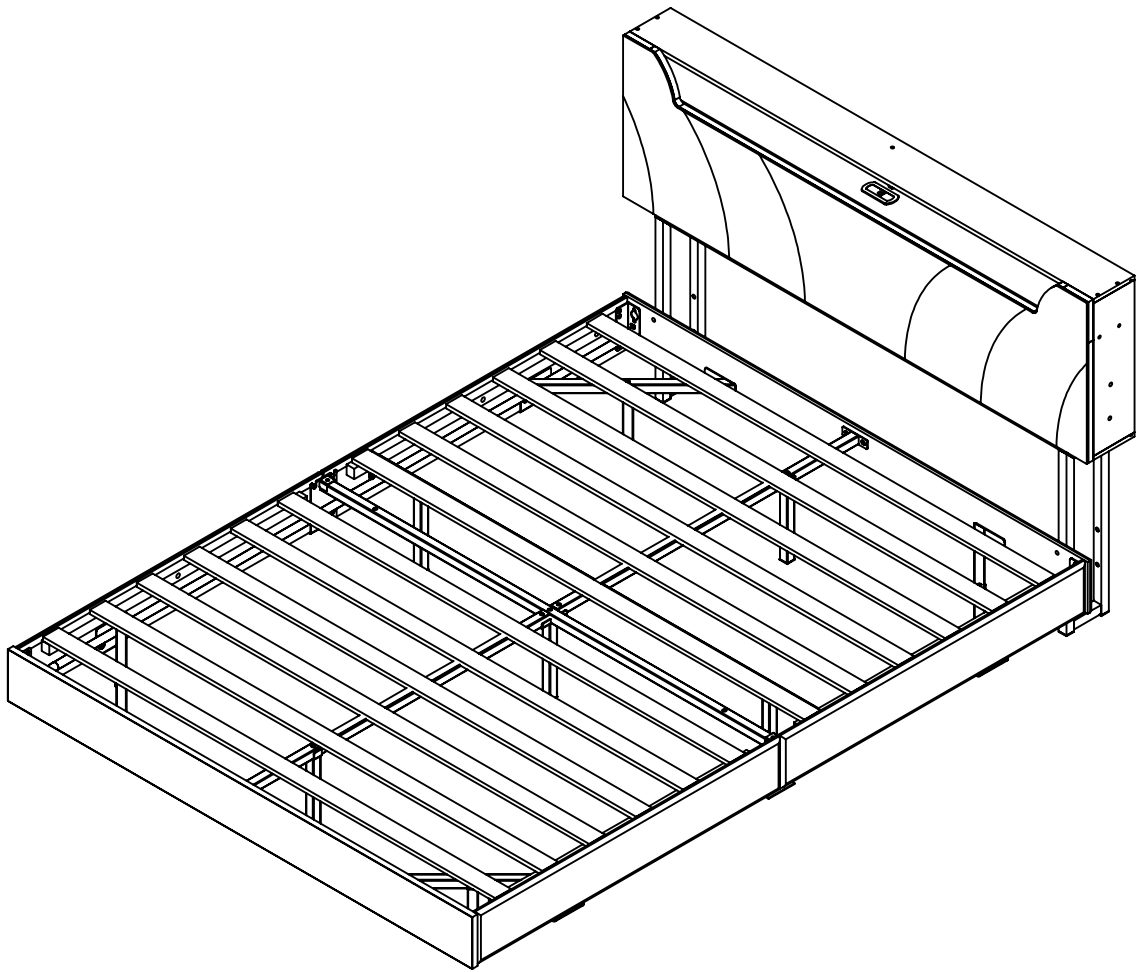


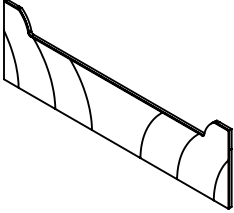
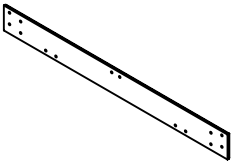
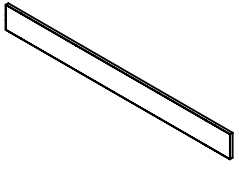
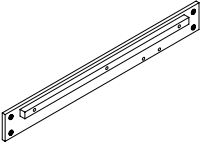
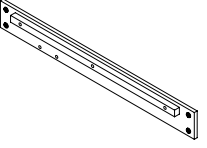
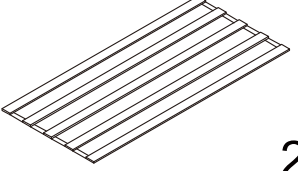

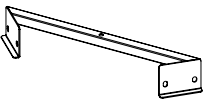
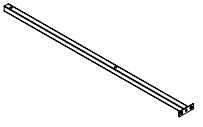
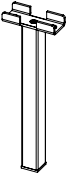
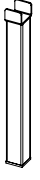

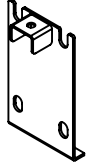
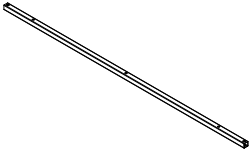
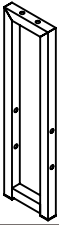
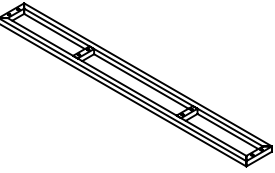
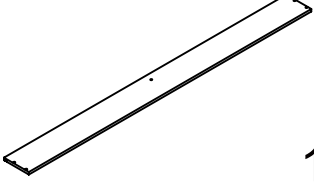
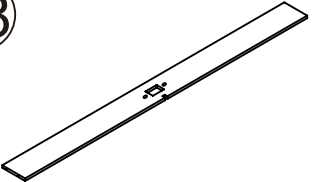
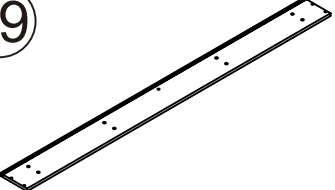
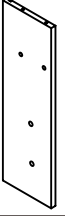

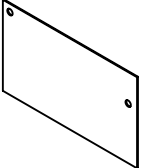

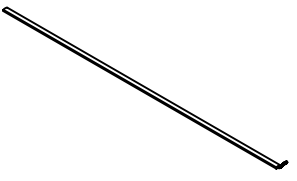
# USER'S MANUAL



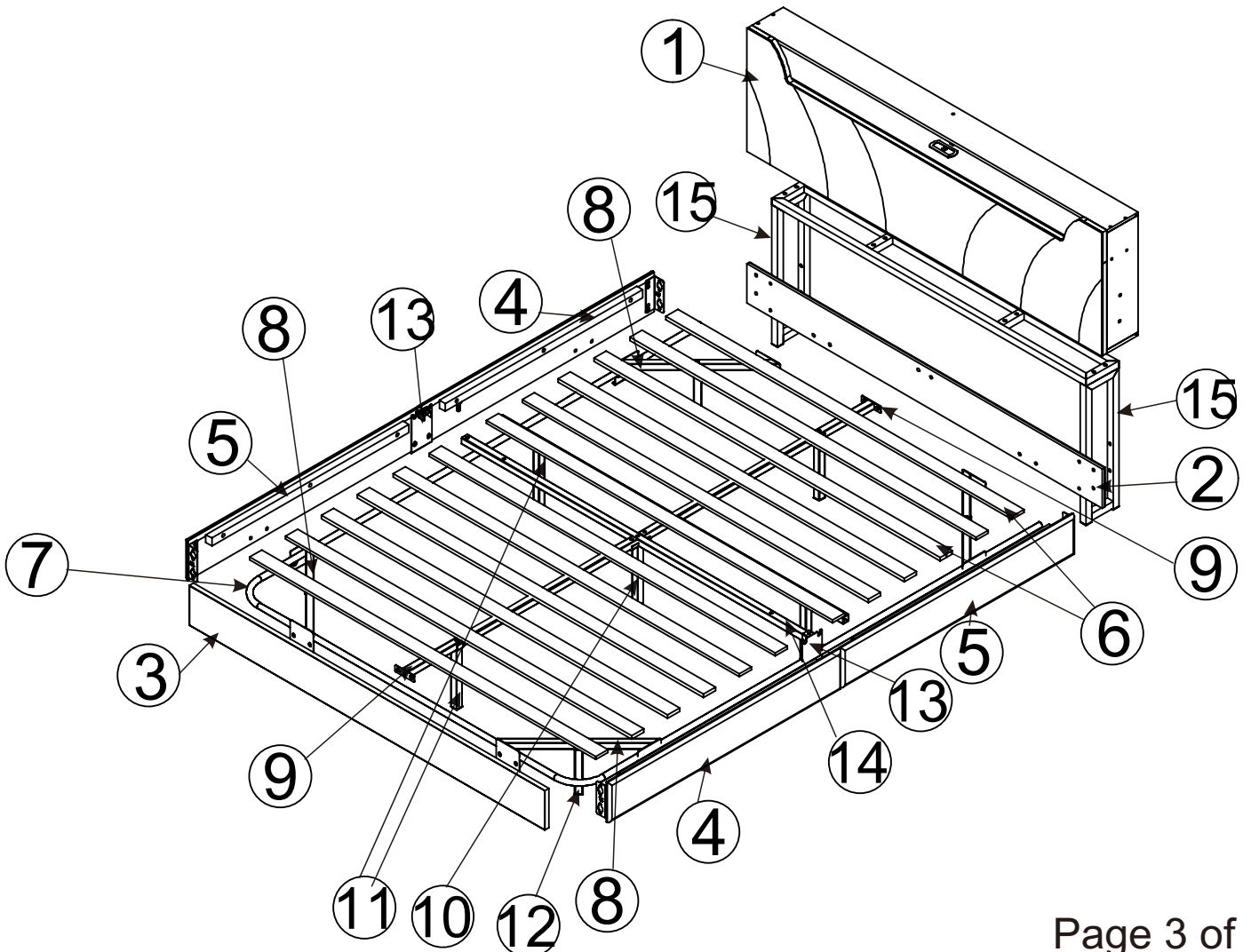
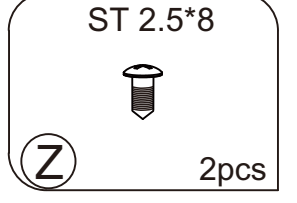
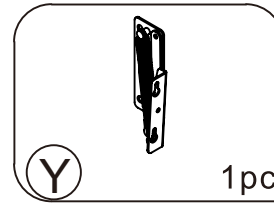
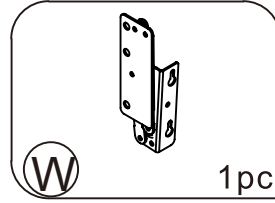
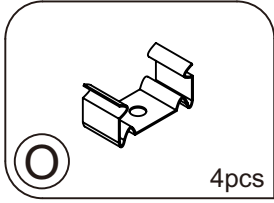
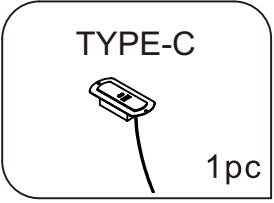
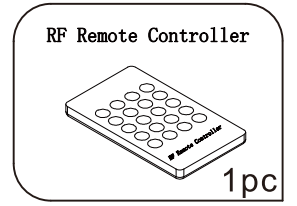
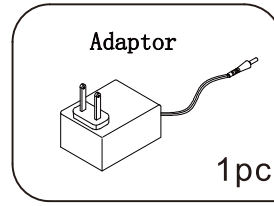
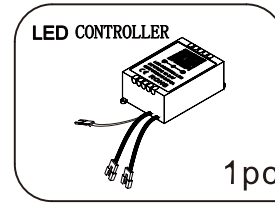
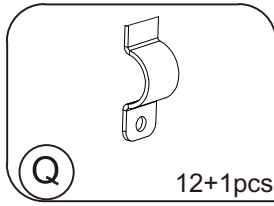
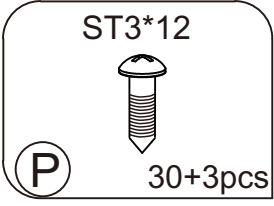
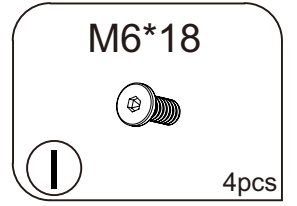
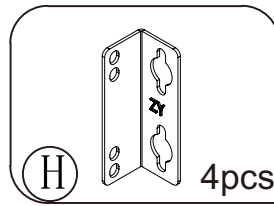
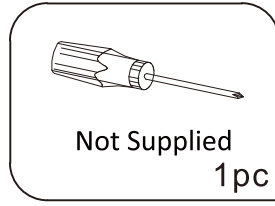
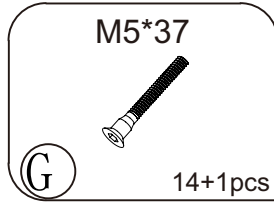
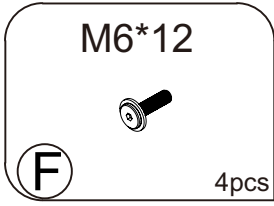
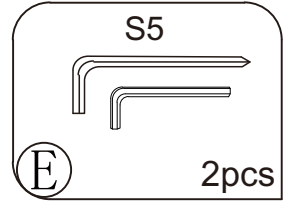
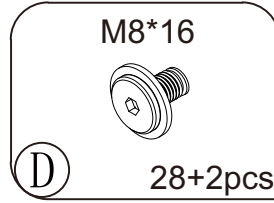
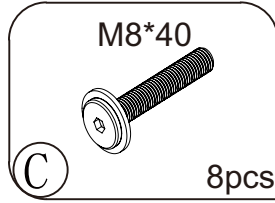
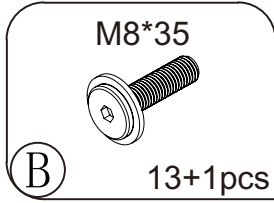
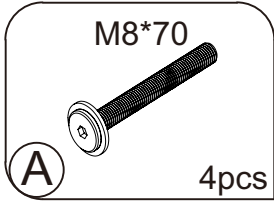
## NOTED:

1. It is recommended that this item should be assembled by two adults.
2. Assemble this item on a soft surface, such as cardboard or carpet, to protect finish.

# PARTS LIST

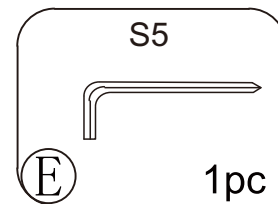
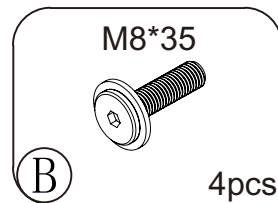
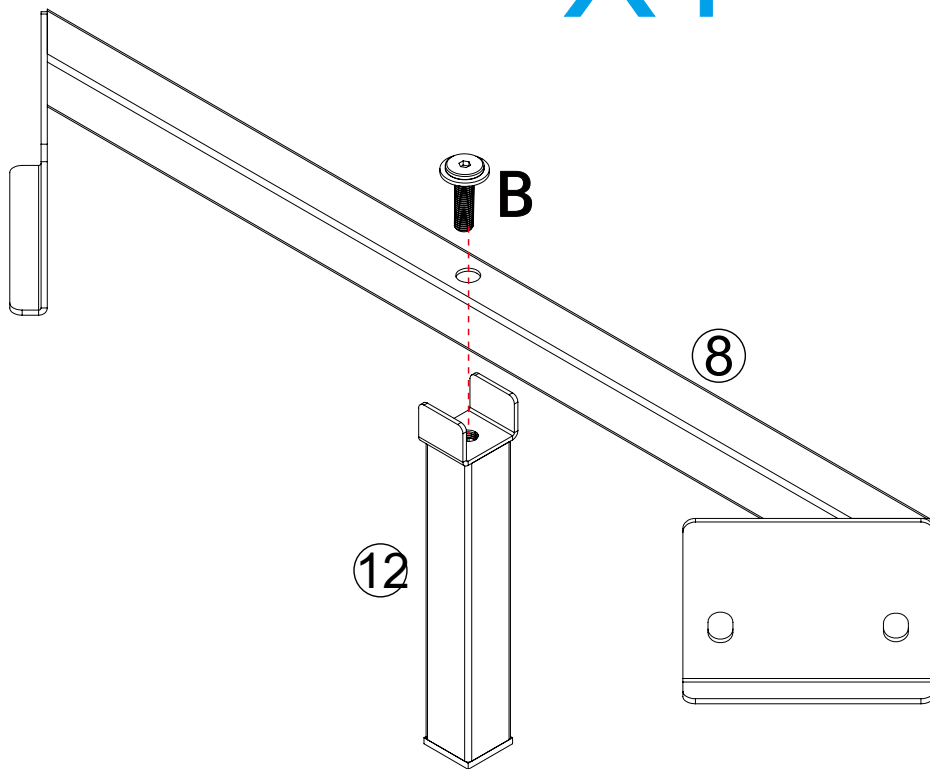
<p>①  1pc</p>	<p>②  1pc</p>	<p>③  1pc</p>
<p>④  2pcs</p>	<p>⑤  2pcs</p>	<p>⑥  2pcs</p>
<p>⑦  1pc</p>	<p>⑧  4pcs</p>	<p>⑨  2pcs</p>
<p>⑩  1pc</p>	<p>⑪  4pcs</p>	<p>⑫  4pcs</p>
<p>⑬  2pcs</p>	<p>⑭  1pc</p>	<p>⑮  2pcs</p>
<p>⑯  1pc</p>	<p>⑰  1pc</p>	<p>⑱  1pc</p>
<p>⑲  1pc</p>	<p>⑳  1pc</p>	<p>㉑  1pc</p>
<p>㉒  2pcs</p>	<p>㉓  1pc</p>	<p>㉔  1pc</p>

# HARDWARE

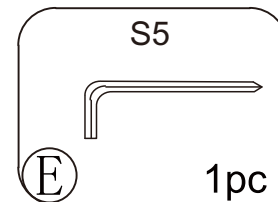
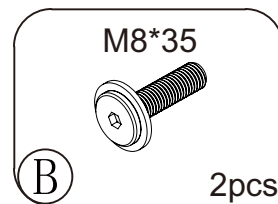
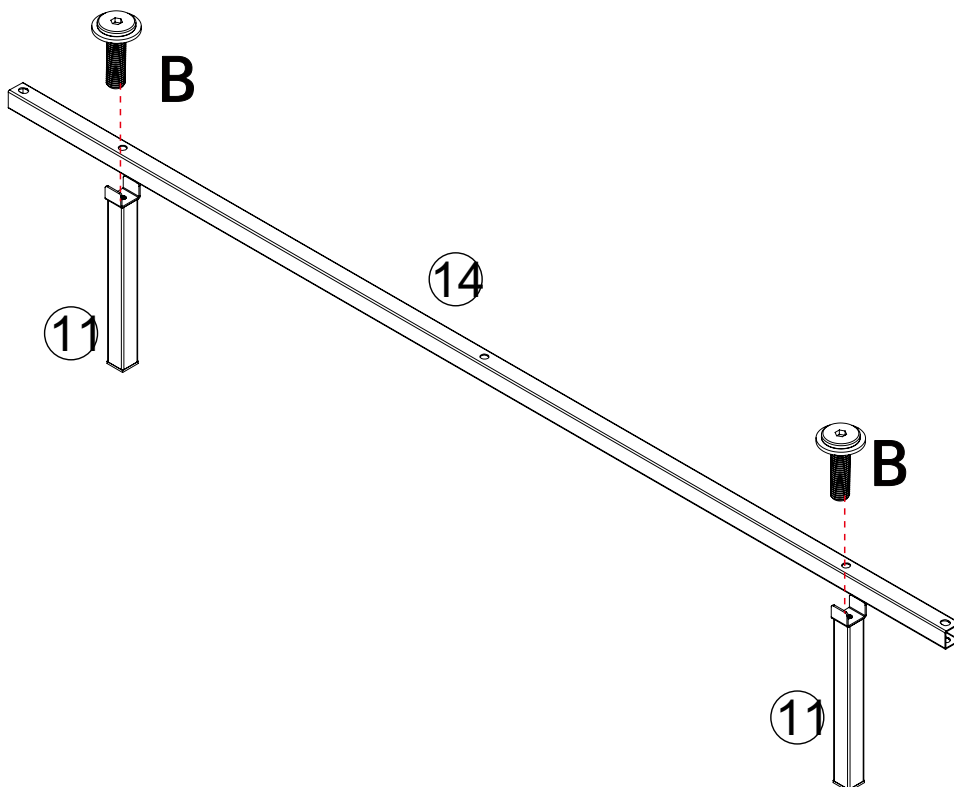


# Steps 1

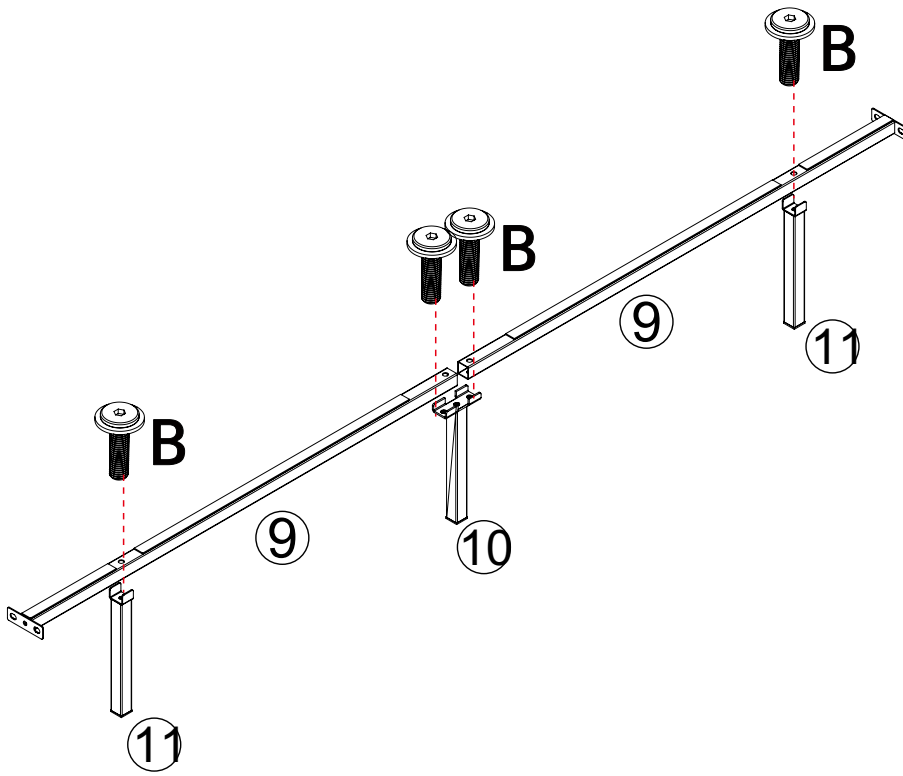
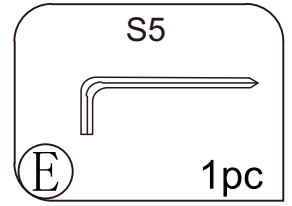
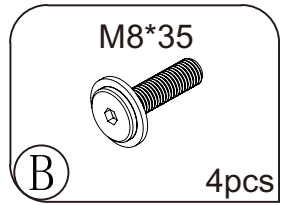
# X4



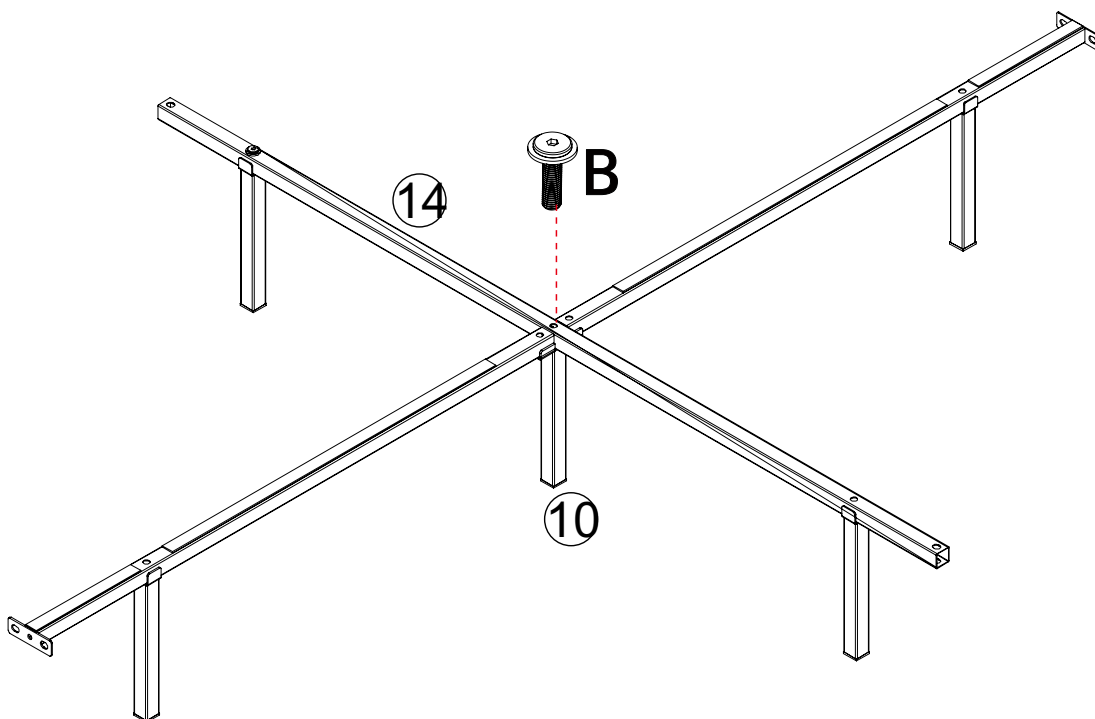
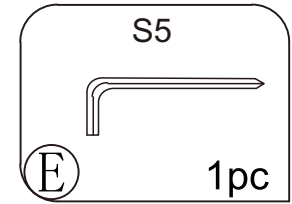
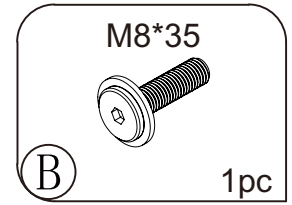
# Steps 2



# Steps 3

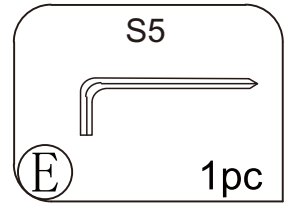
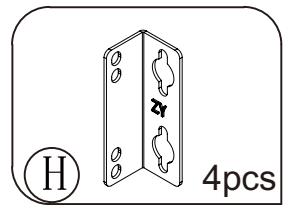
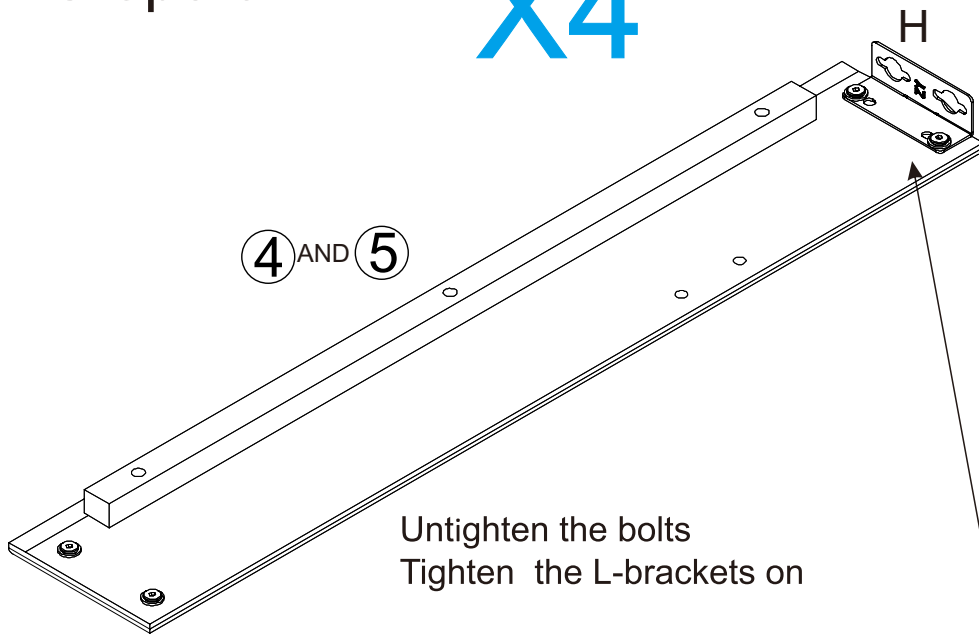


# Steps 4

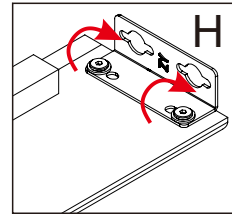
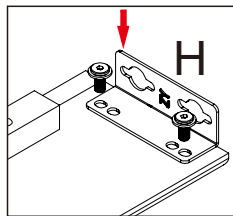
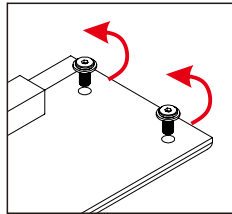


# Steps 5

# X4

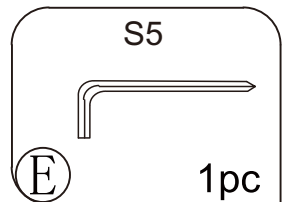
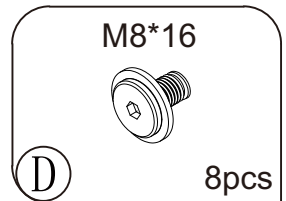
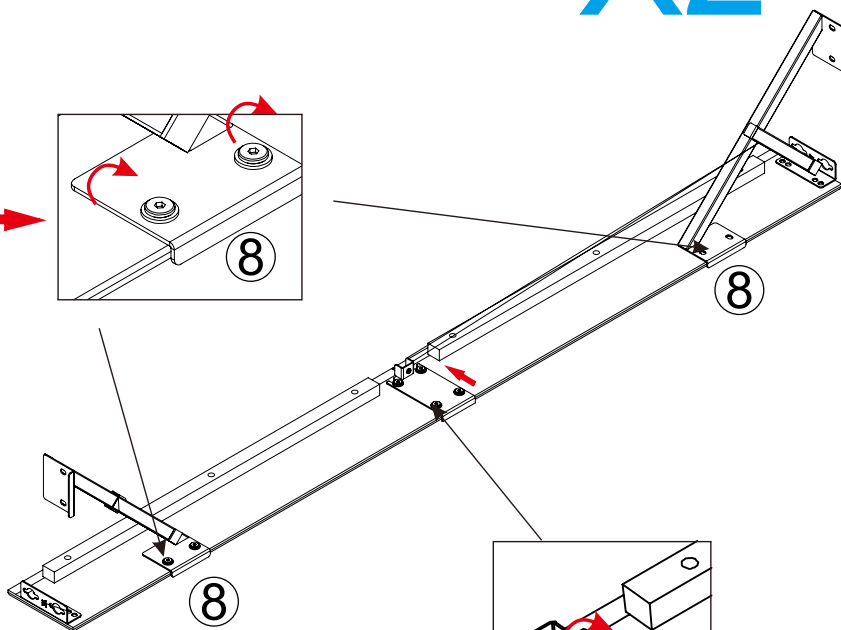
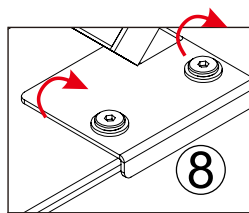
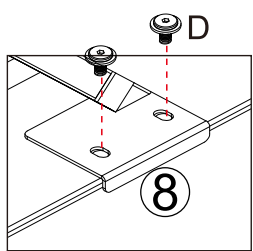


Untighten the bolts  
Tighten the L-brackets on

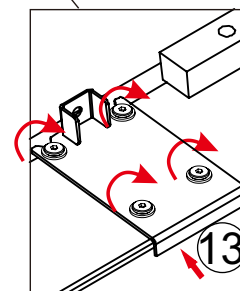
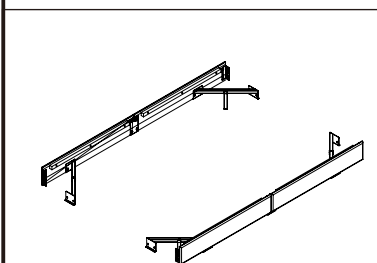


# Steps 6

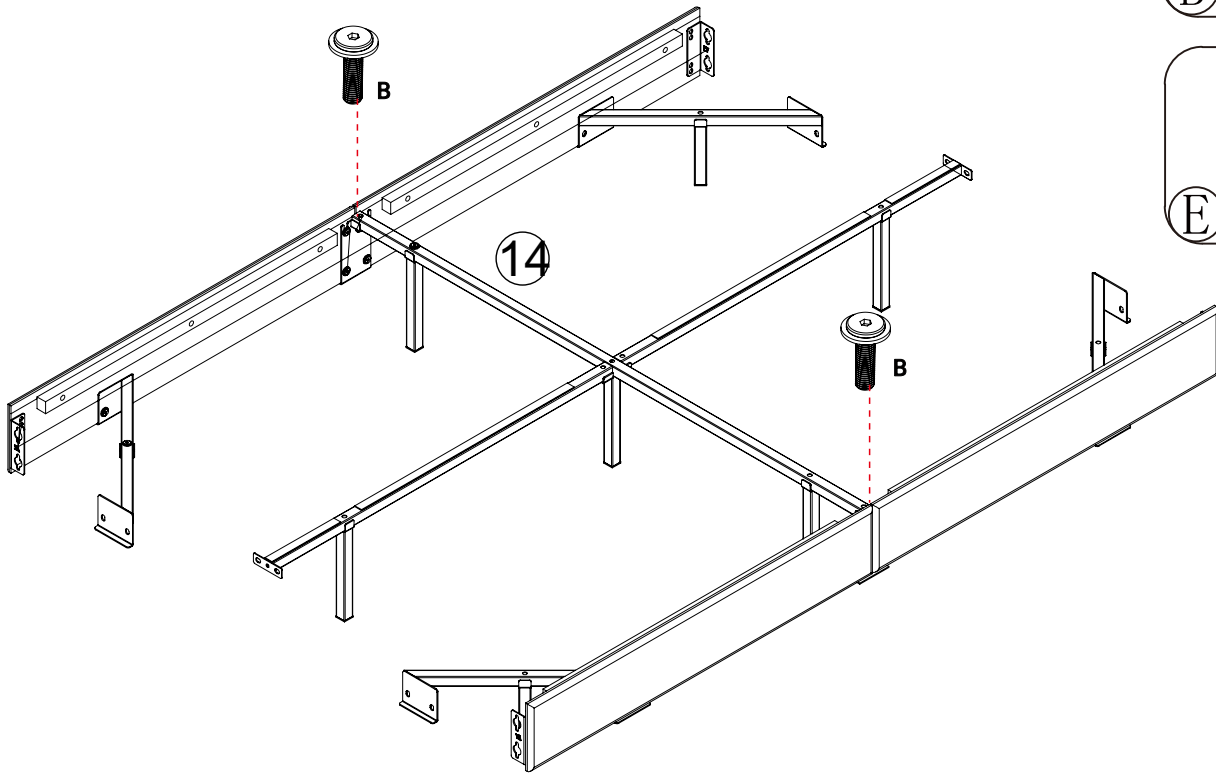
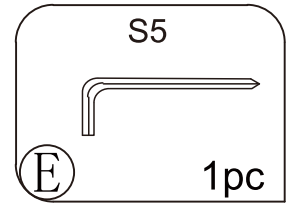
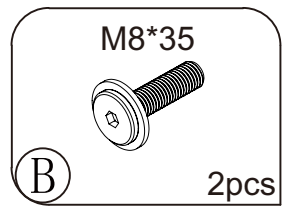
# X2



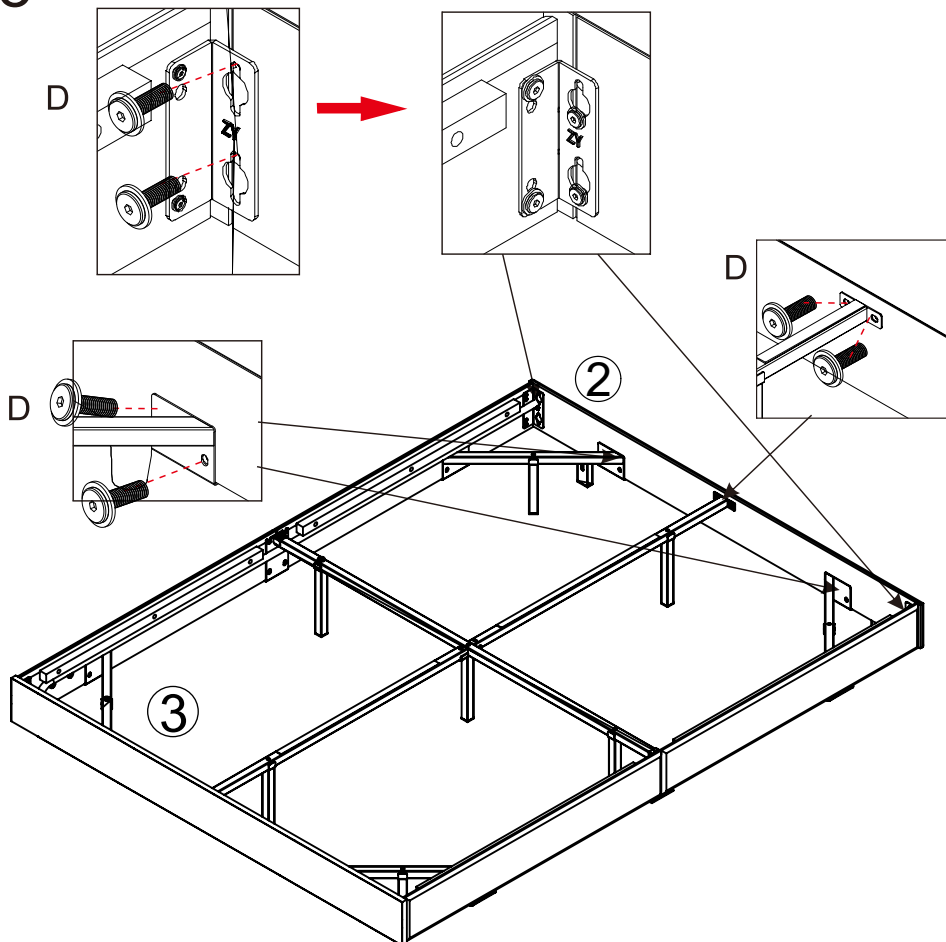
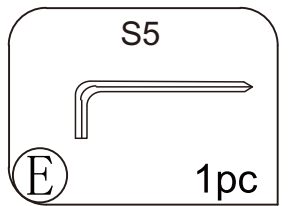
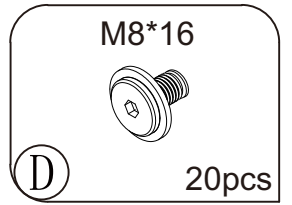
Untighten the bolts  
Tighten the brackets on



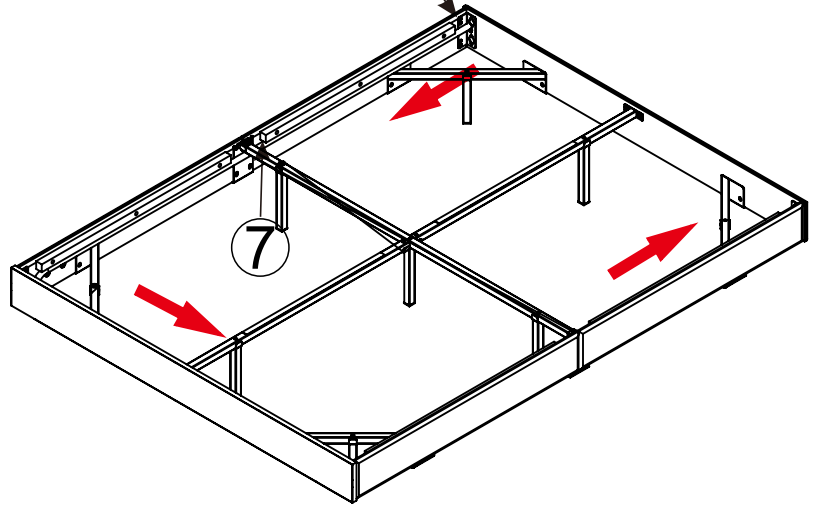
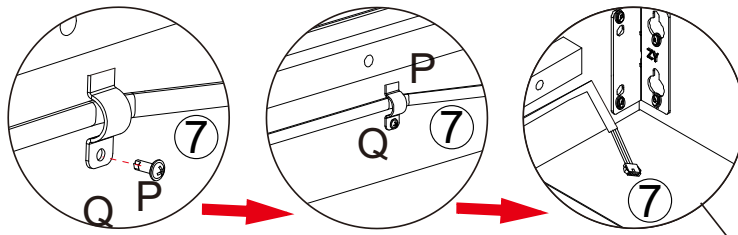
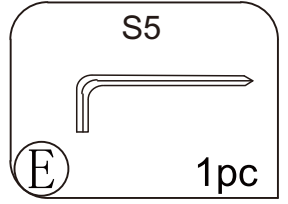
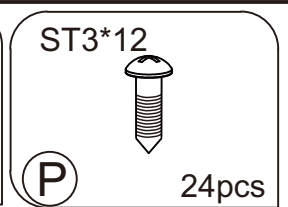
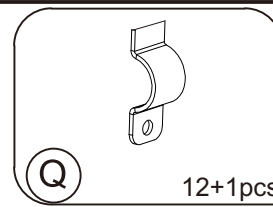
# Steps 7



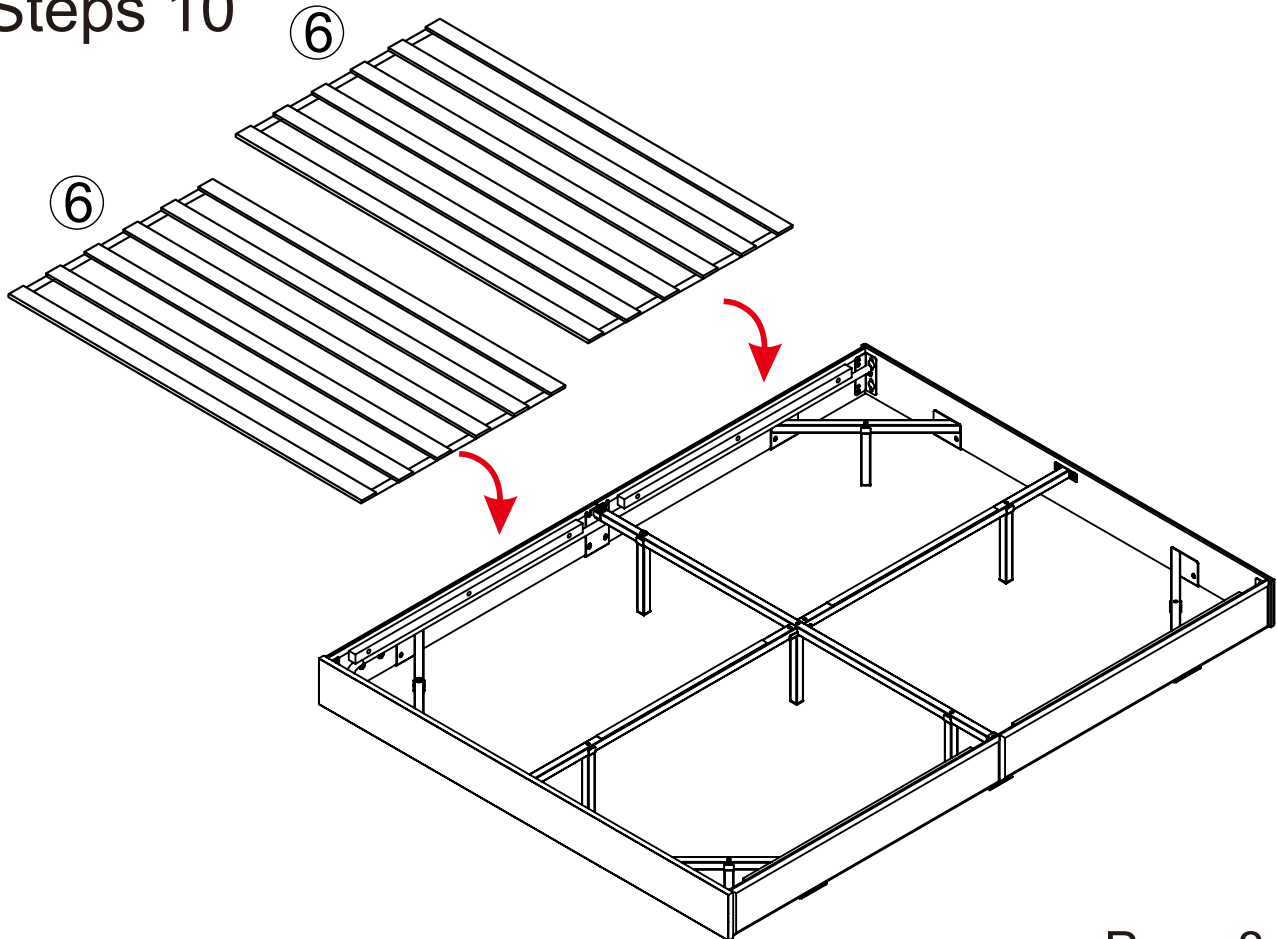
# Steps 8



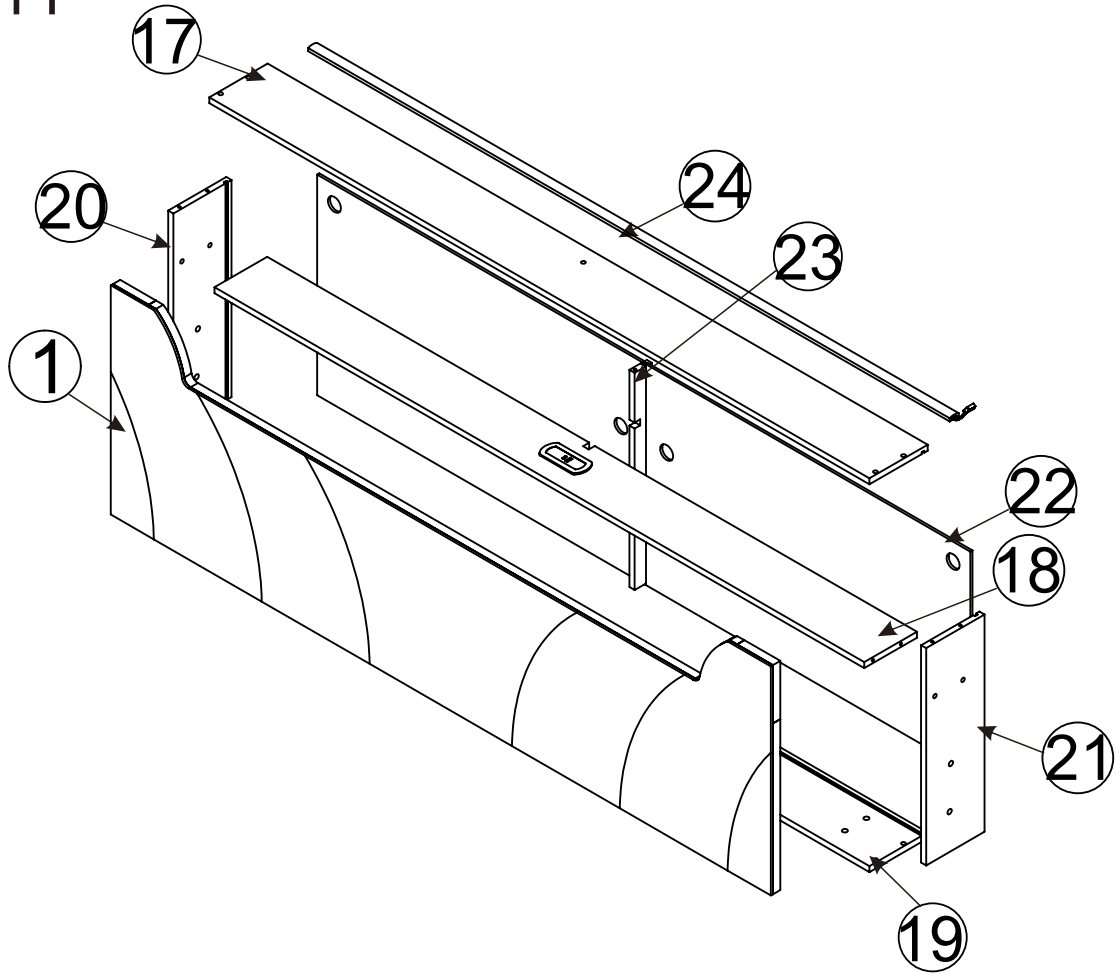
# Steps 9



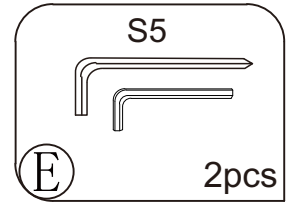
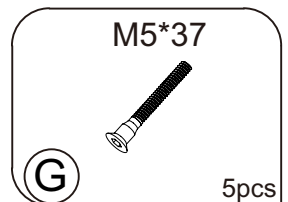
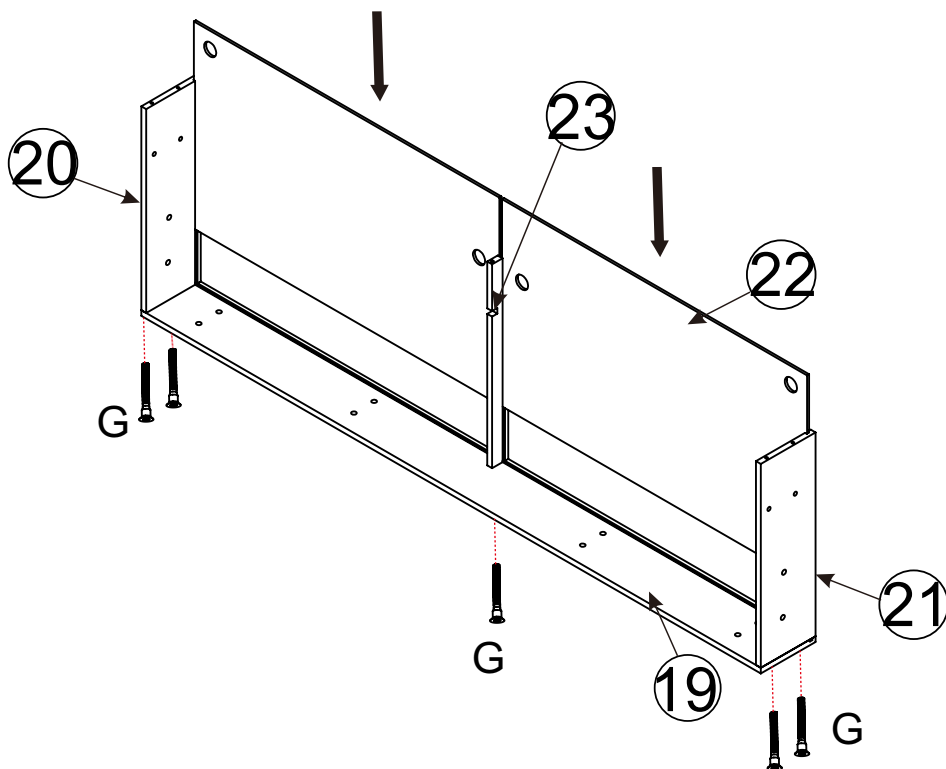
# Steps 10



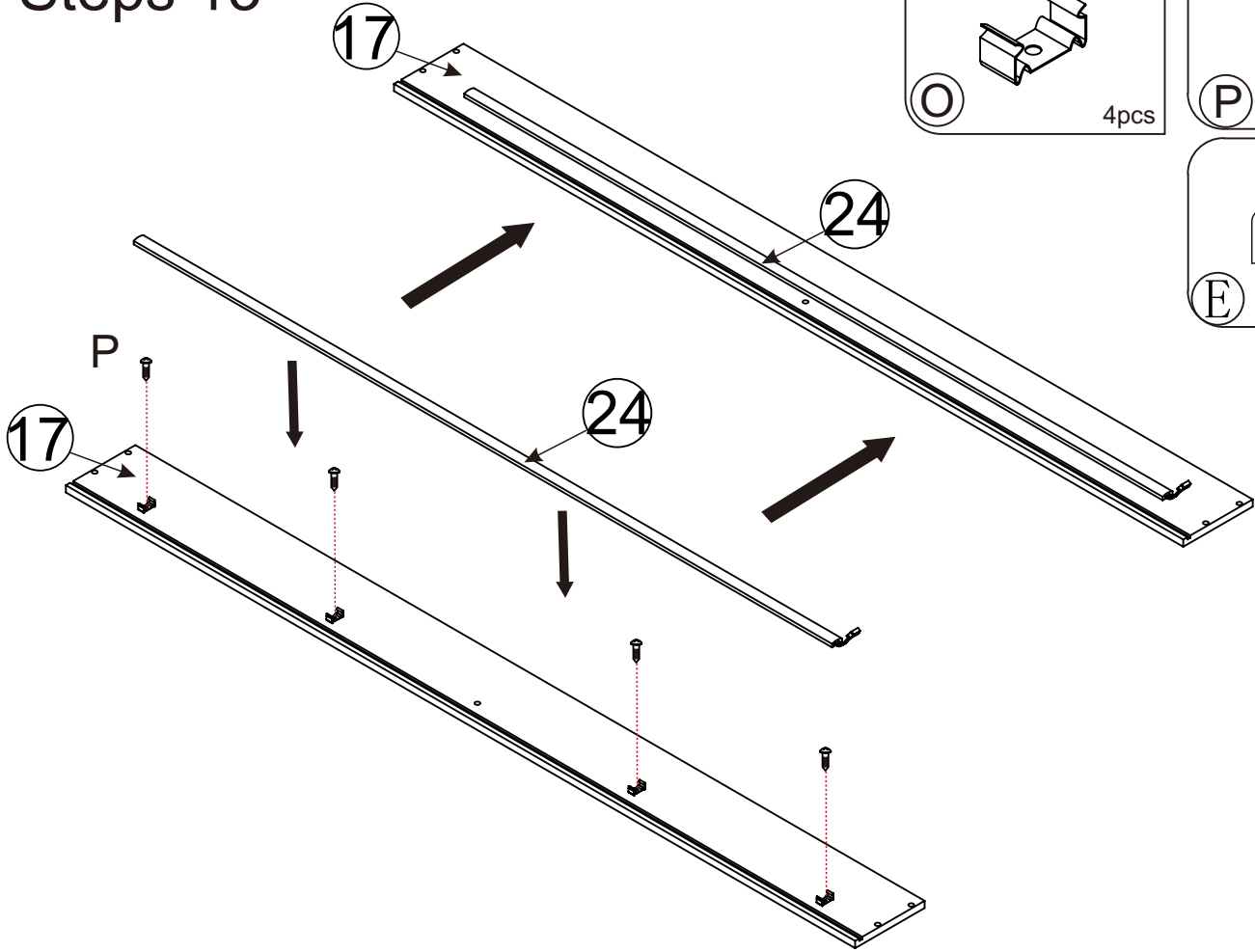
# Steps 11



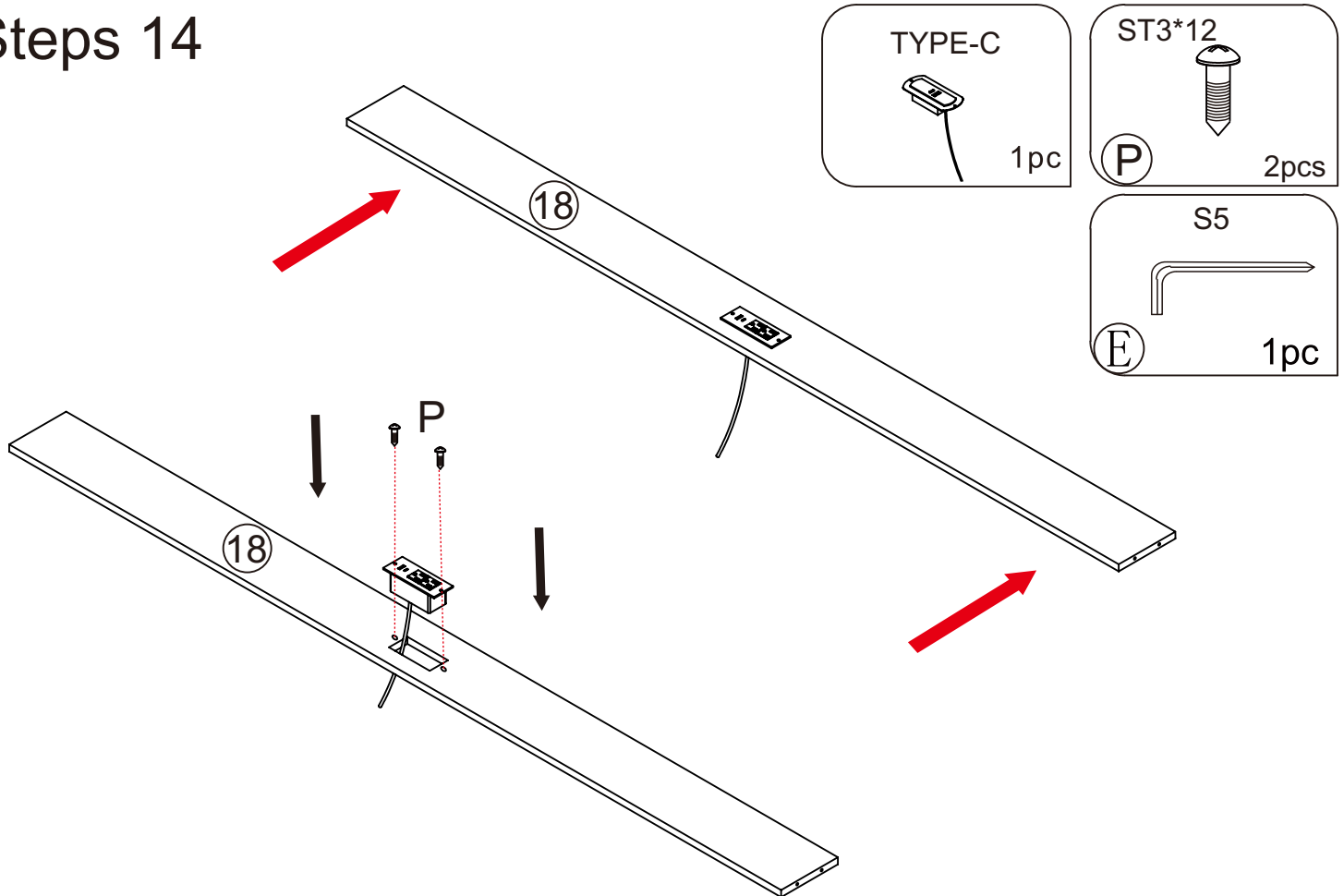
# Steps 12



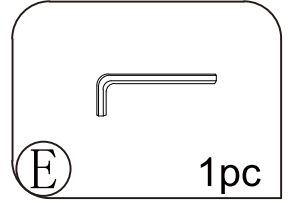
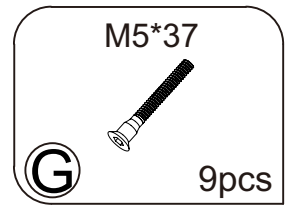
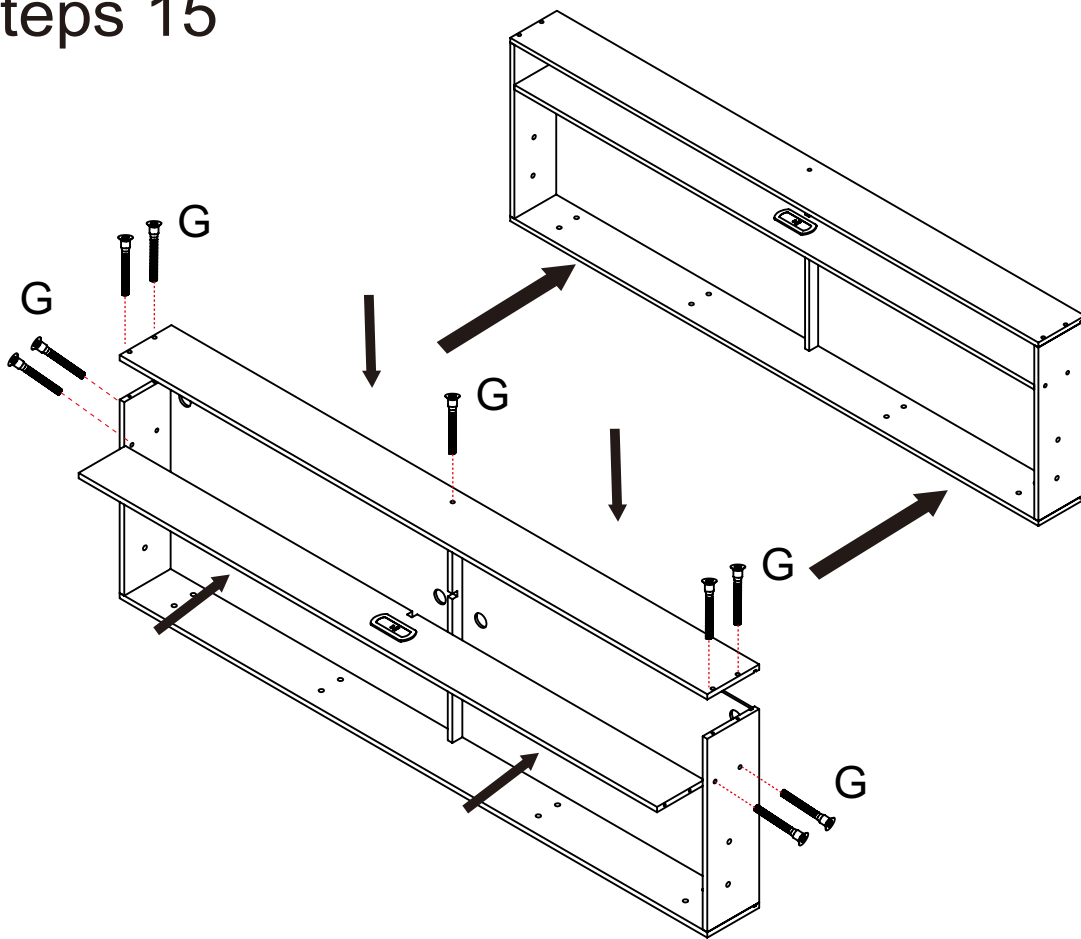
# Steps 13



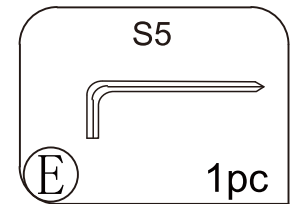
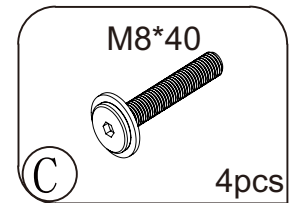
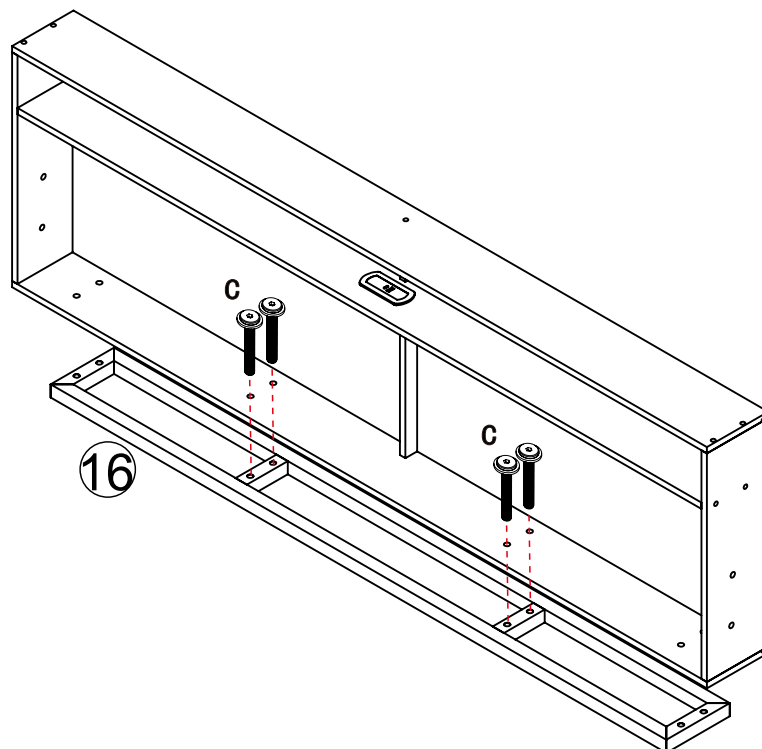
# Steps 14



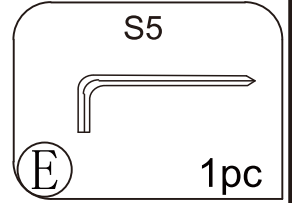
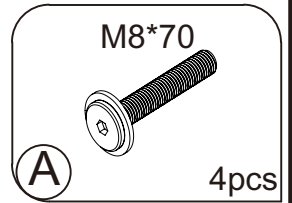
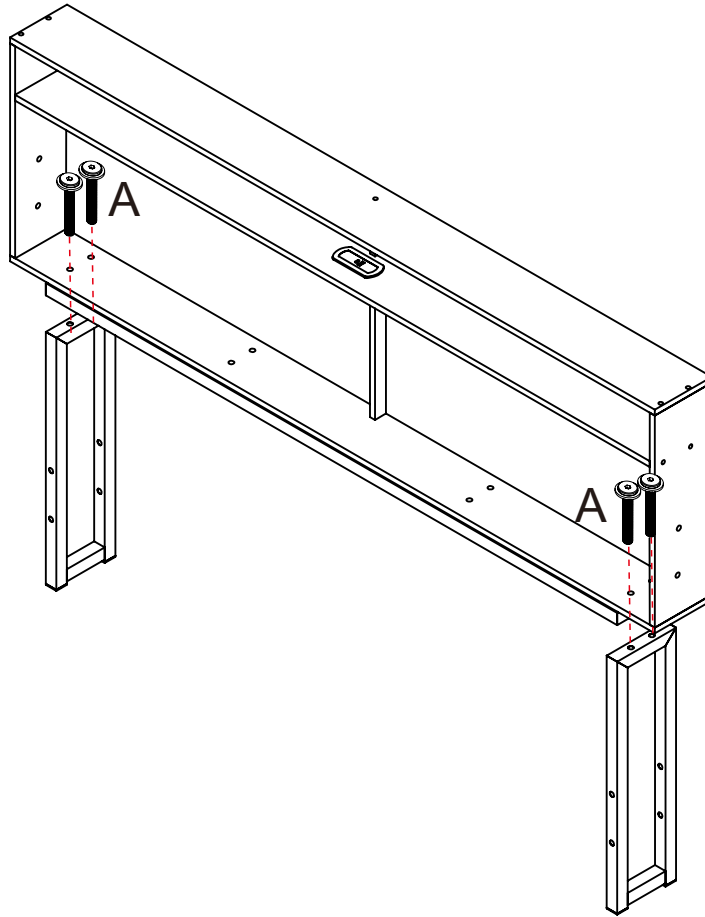
# Steps 15



# Steps 16

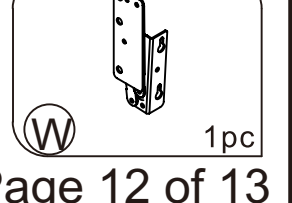
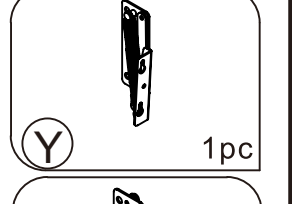
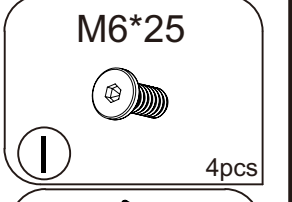
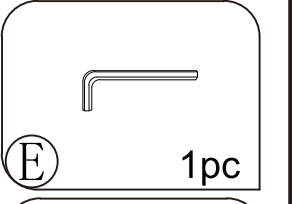
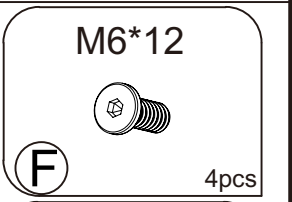
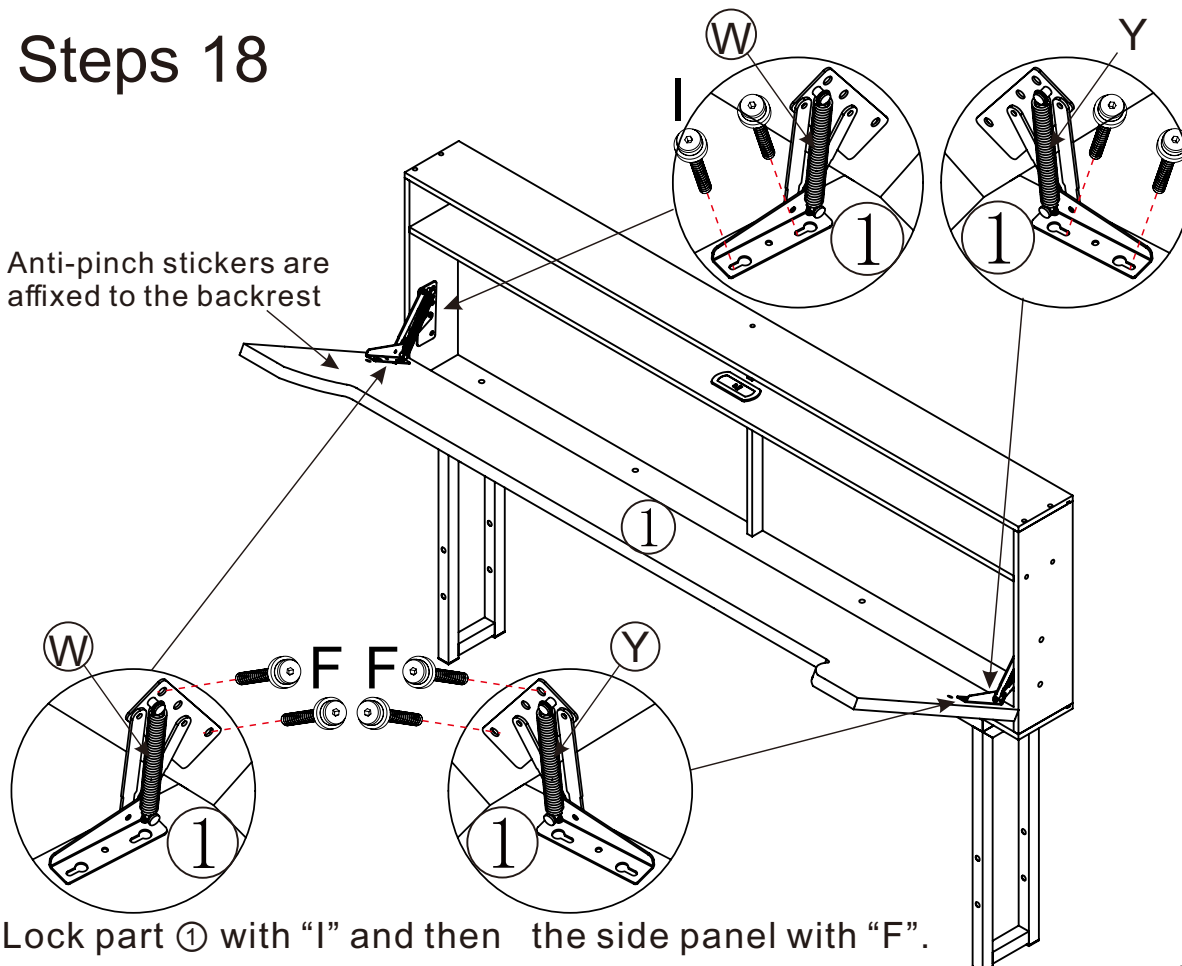


# Steps 17



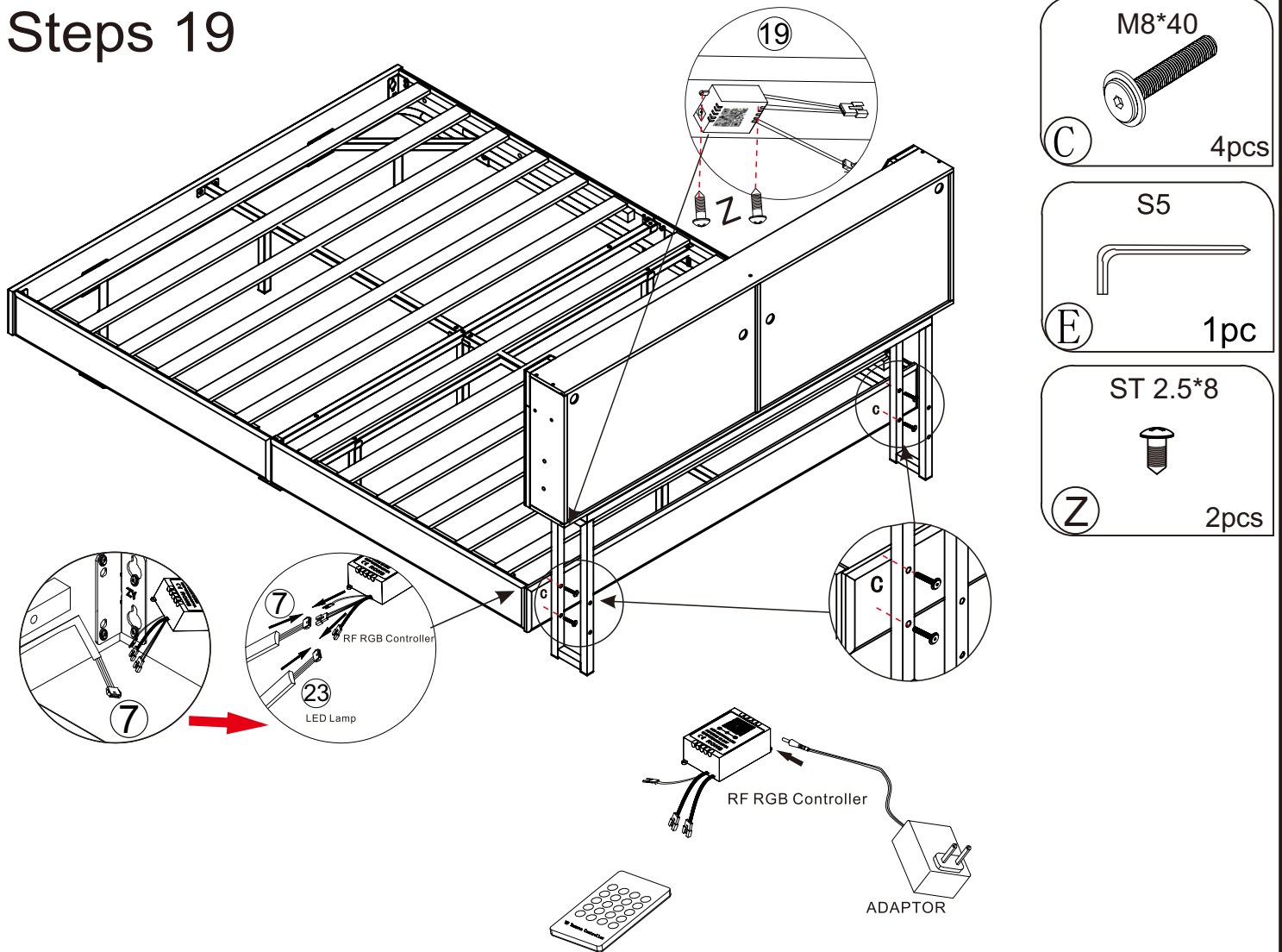
# Steps 18

Anti-pinch stickers are affixed to the backrest



Lock part ① with "I" and then the side panel with "F".  
And please do not lock the "I" too tightly

# Steps 19



You can choose mobile control or RF Remote ControlL

First, pull out the plastic card on the RF Remote Controller and power on the RF Remote Controller.

Mobile phone control steps:

1. Connect LED Lamp and RF RGB Controller.
2. Plug in the Adaptor Power supply.
3. Scan the RF RGB Controller QR code on the controller and download the software HappyLighting.
4. Turn on the Bluetooth function of the mobile phone and search for Bluetooth pairing "Trinoes".
5. Open the "Happy lighting" APP and switch colors change.  
Click the music switch to realize the skip mode of different LED lights.  
Press the timing switch to realize the automatic light off function, etc.

