

ASSEMBLY INSTRUCTIONS



Fine Furniture for every stage of life

DINING TABLE

ASSEMBLY INSTRUCTIONS

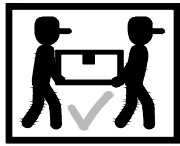
ASSEMBLY TIPS:

1. Remove hardware from box and sort by size.
2. Please check to see that all hardware and parts are present prior to start of assembly.
3. Please follow attached instructions in the same sequence as numbered to assure fast & easy assembly.



WARNING !

1. Don't attempt to repair or modify parts that are broken or defective. Please contact the store immediately.
2. This product is for home use only and not intended for commercial establishment.

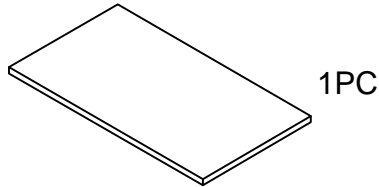


ASSEMBLY TIME 15 MINUTES

PARTS IDENTIFICATION

B1 (BOX 1)

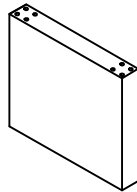
A. TOP



1PC

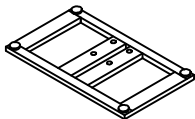
B2 (BOX 2)

B. PILLAR



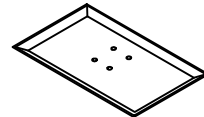
1PC

C. IRON RACK



2PCS

D. IRON PLATE



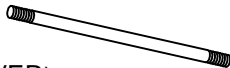
2PCS

HARDWARE PACKAGE

Z-B2 (BOX 2)-HARDWARE PACK IS LOCATED

1. SCREW

(Ø5/16"*732MM-SILVER)



4PCS

2. ALLEN BOLT

(Ø5/16*50MM-SILVER)



4PCS

3. FLAT WASHER

(Ø5/16*18MM-SILVER)



4PCS

4. FLAT WASHER

(Ø5/16*25MM-SILVER)



4PCS

5. SCREW NUT

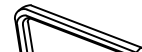
(Ø5/16*20MM-SILVER)



4PCS

6. ALLEN WRENCH

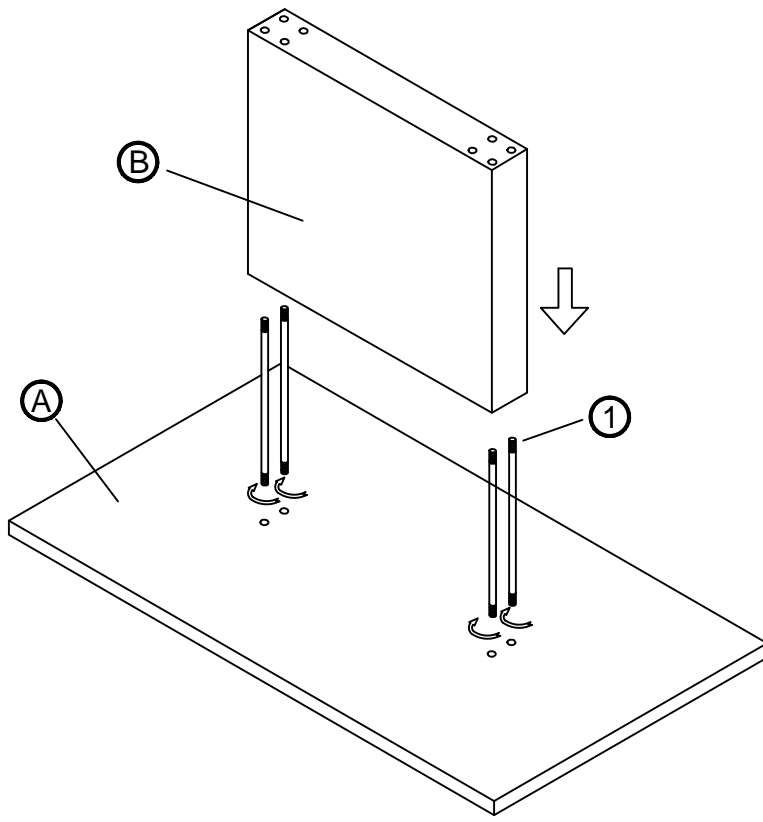
(Ø5/16*66MM-SILVER)



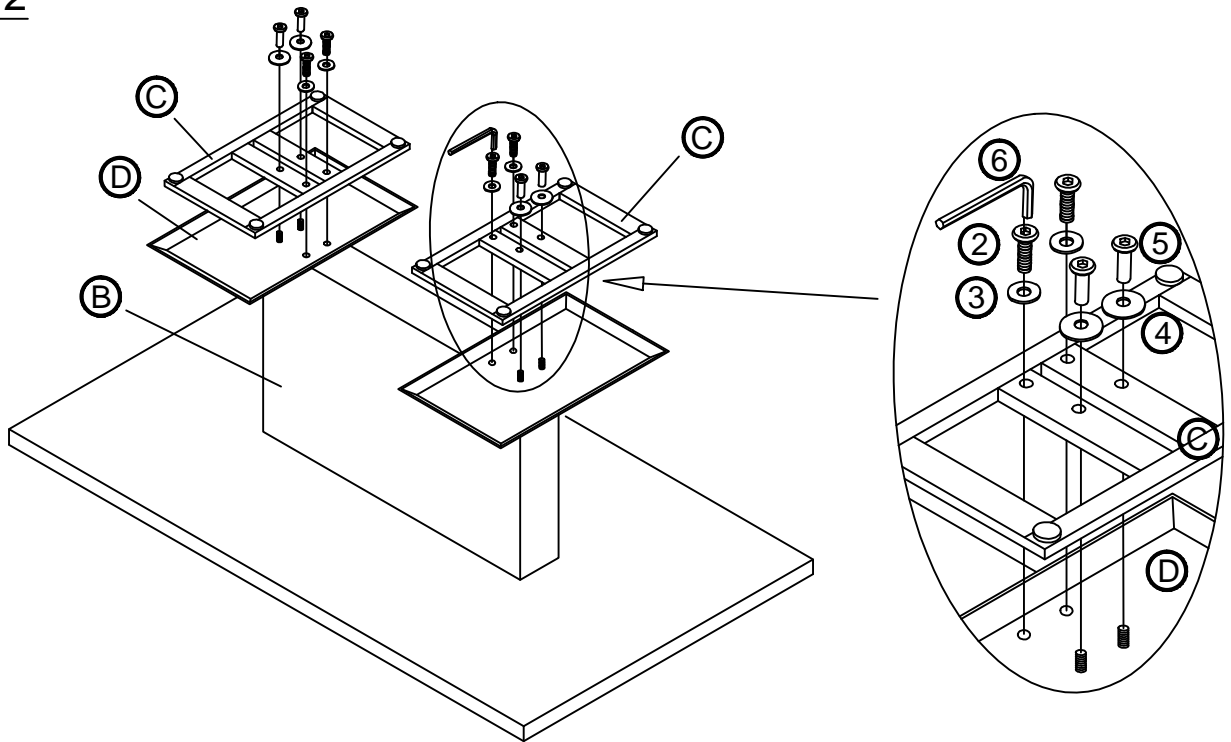
1PC

ASSEMBLY INSTRUCTIONS

STEP 1



STEP 2



ASSEMBLY INSTRUCTIONS

STEP 3 COMPLETE

