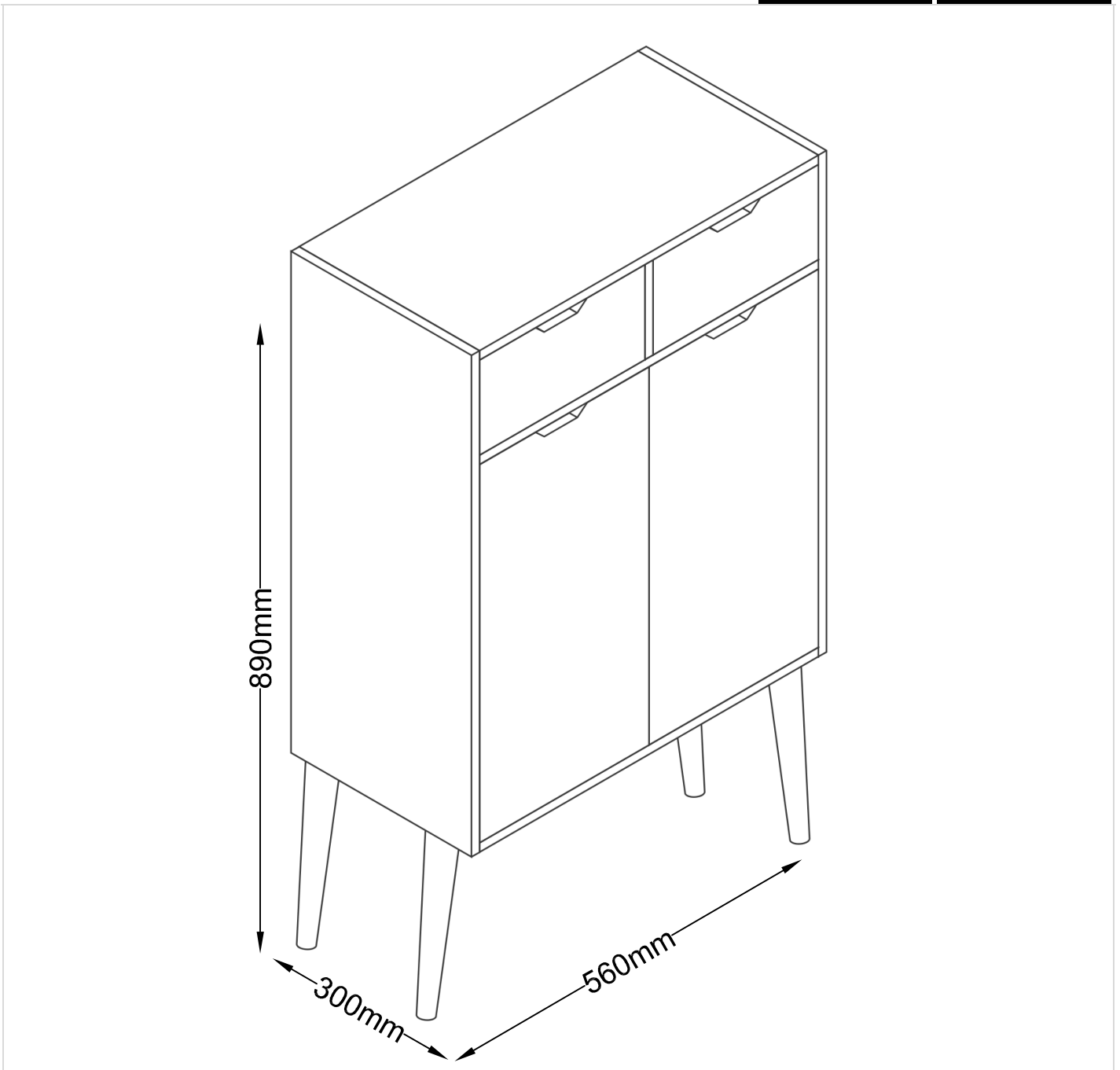



Assembly Instructions – Please keep for future reference



Dimensions	No. people	Assembly Time
Width: 56.0cm Depth: 30.0cm Height: 89.0cm		45 mins (approx.)

**Important** – Please read these instructions fully before starting assembly

# ⚠ Safety and Care Advice

**Important** – Please read these instructions fully before starting assembly

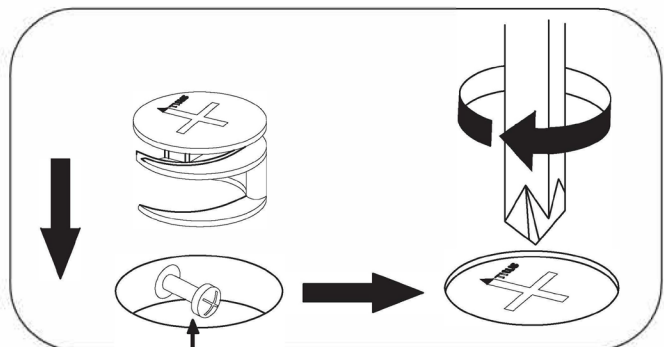
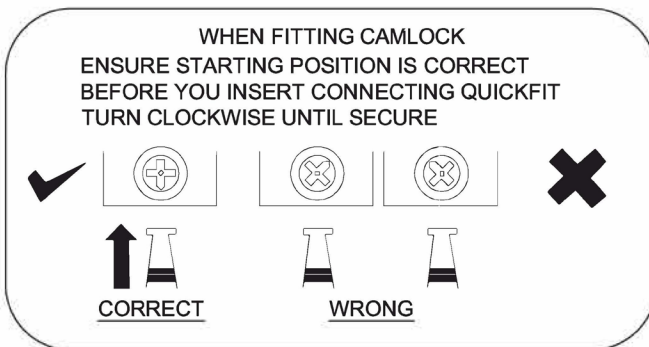
- Check you have all the components and tools listed on pages 4 and 5.
- Remove all fittings from the plastic bags and separate them into their groups.
- Keep children and animals away from the work area, small parts could choke if swallowed.
- Make sure you have enough space to lay out the parts before starting.
- Do not stand or put weight on the product, this could cause damage.
- Assemble the item as close to its final position (in the same room) as possible.
- Assemble on a soft, level surface to avoid damaging the unit or your floor.
- We do not recommend the use of power drill/drivers for inserting screws, as this could damage the unit. Only use hand screwdrivers.
- Dispose of all packaging carefully and responsibly.



## Care and Maintenance

- Only clean using a damp cloth and mild detergent, do not use bleach or abrasive cleaners.
- From time to time check that there are no loose screws on this unit.
- This product should not be discarded with household waste. Take to your local authority waste disposal centre.

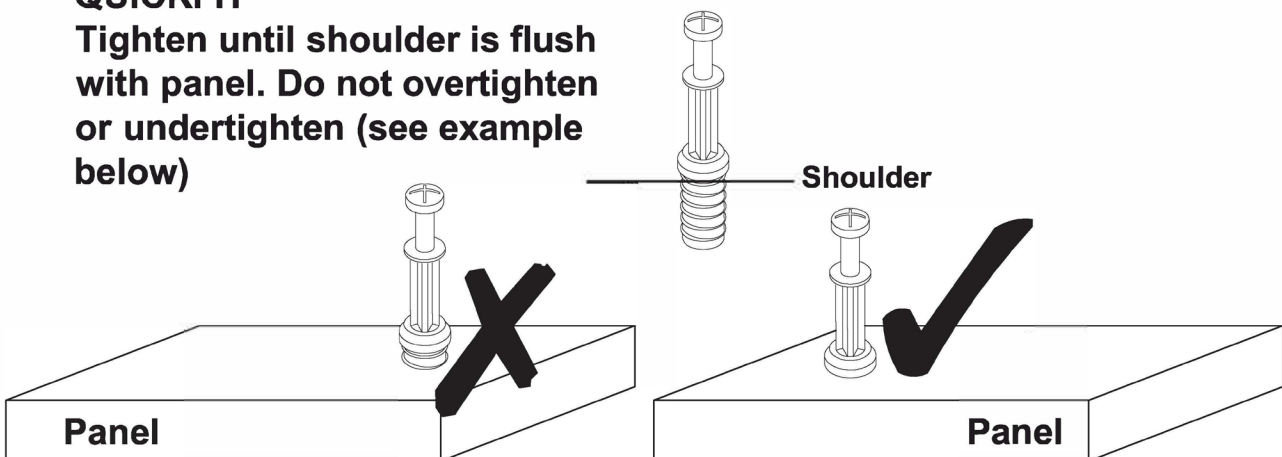
## SPECIAL TIPS FOR FITTING CAM-LOCKS AND QUICKFIT



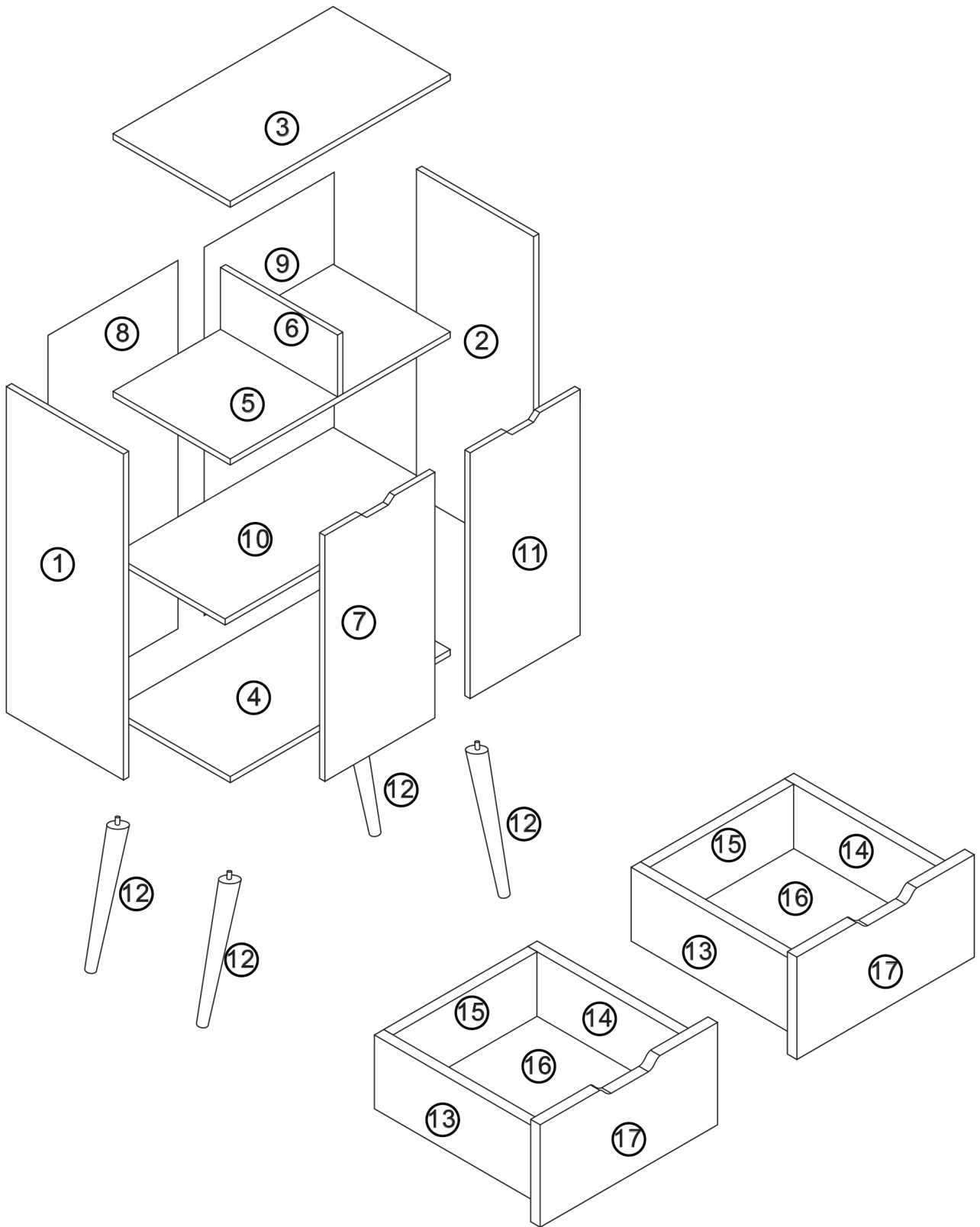
**Quickfit head needs to be in centre**

### QUICKFIT

**Tighten until shoulder is flush with panel. Do not overtighten or undertighten (see example below)**



# Exploded View



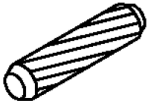
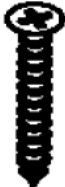


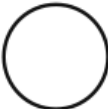
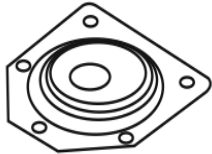

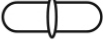
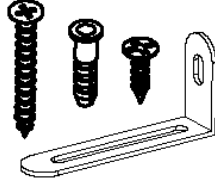
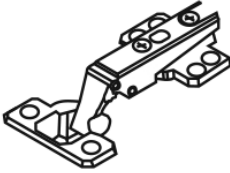





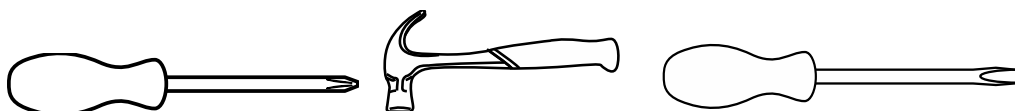
# Components - Fixings

**Please check that you have all the components listed below before constructing your item.**

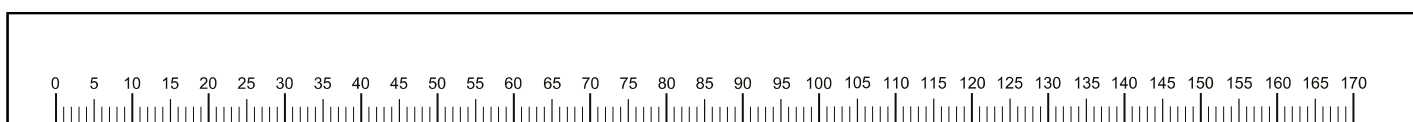
**Note:** The quantities below are the correct amount to complete the assembly. In some cases more fittings may be supplied than are required.

(A) X10	 40mm	(B) X10	 15x9mm	(C) X16	 6x30mm	(D) X22	 3.5x30mm
(E) X60	 3.5x12mm	(F) X25		(G) X12		(H) X4	
(I) X2	 250mm			(J) X4		(K) X1	
(L) X4		(M) X1					

## Tools Required



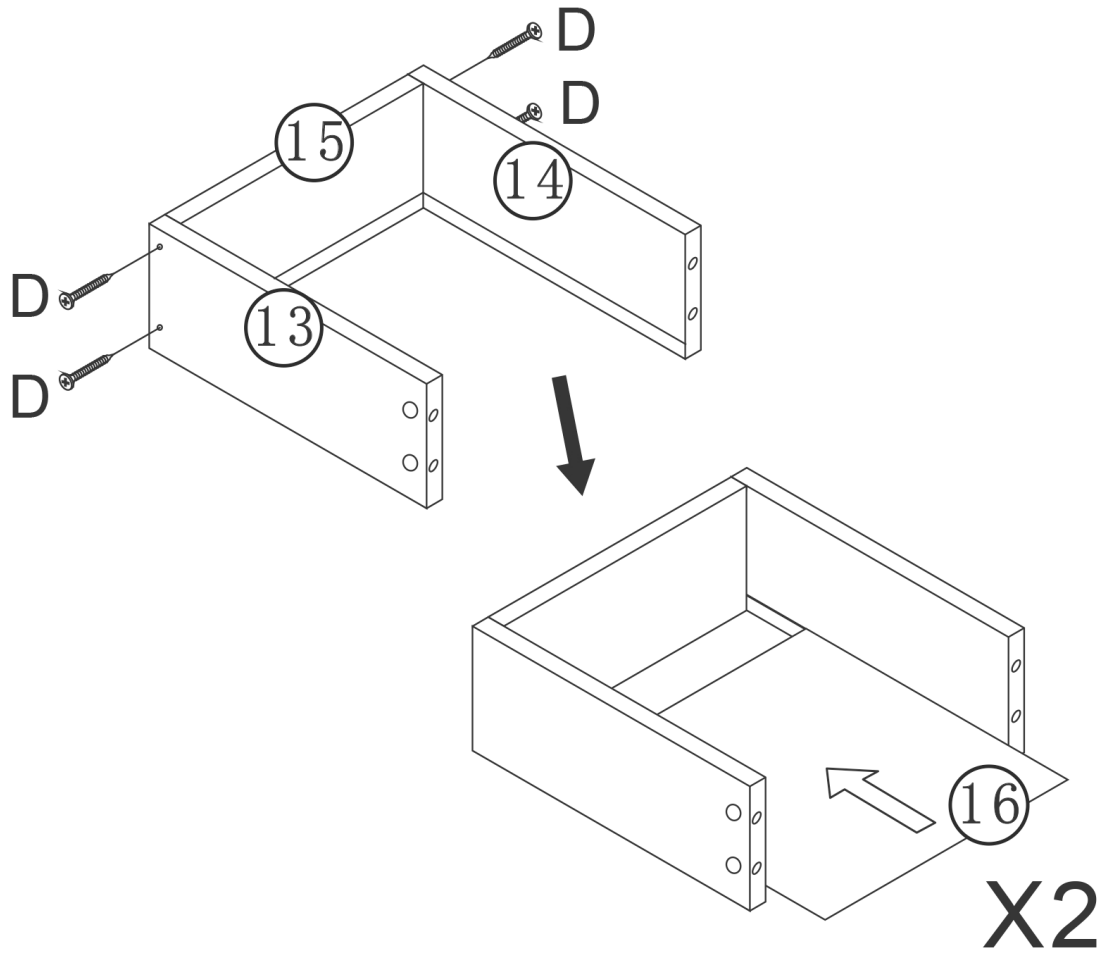
**Ruler** – Use this to measure your screws (mm)



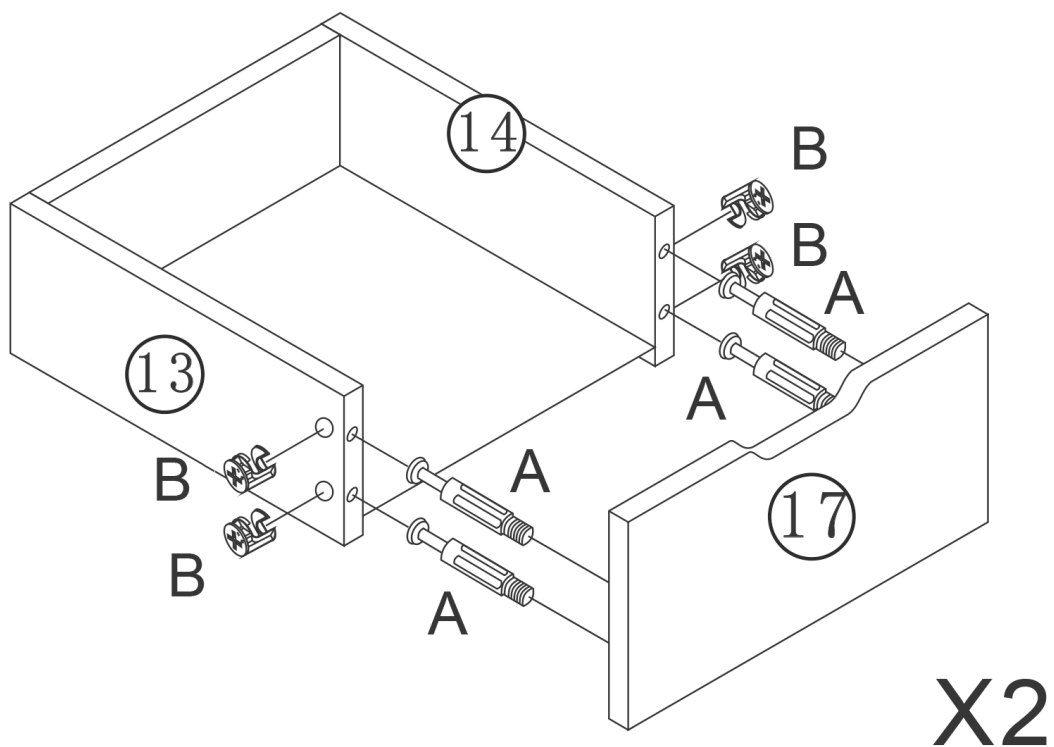
**Important** – Please read these instructions fully before starting assembly

# Assembly Instructions

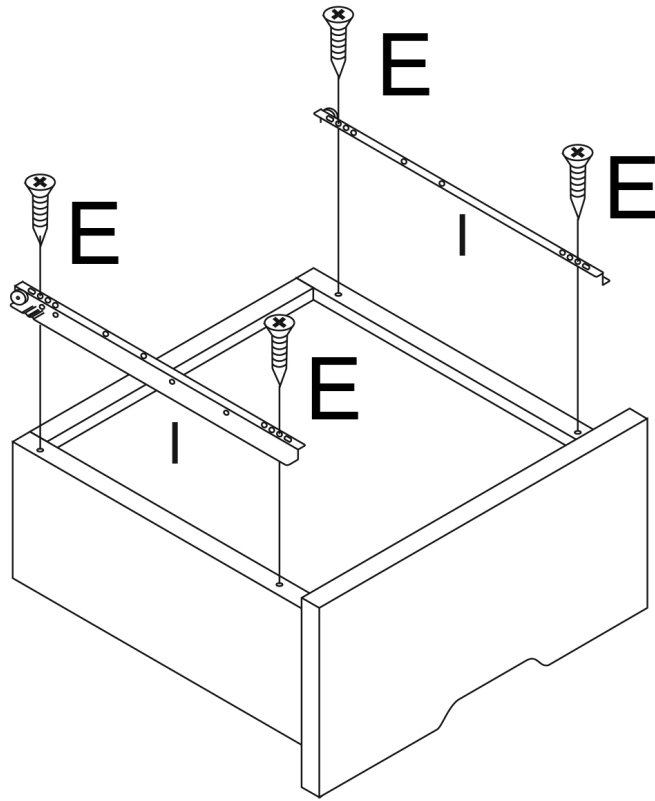
## STEP 1



## STEP 2

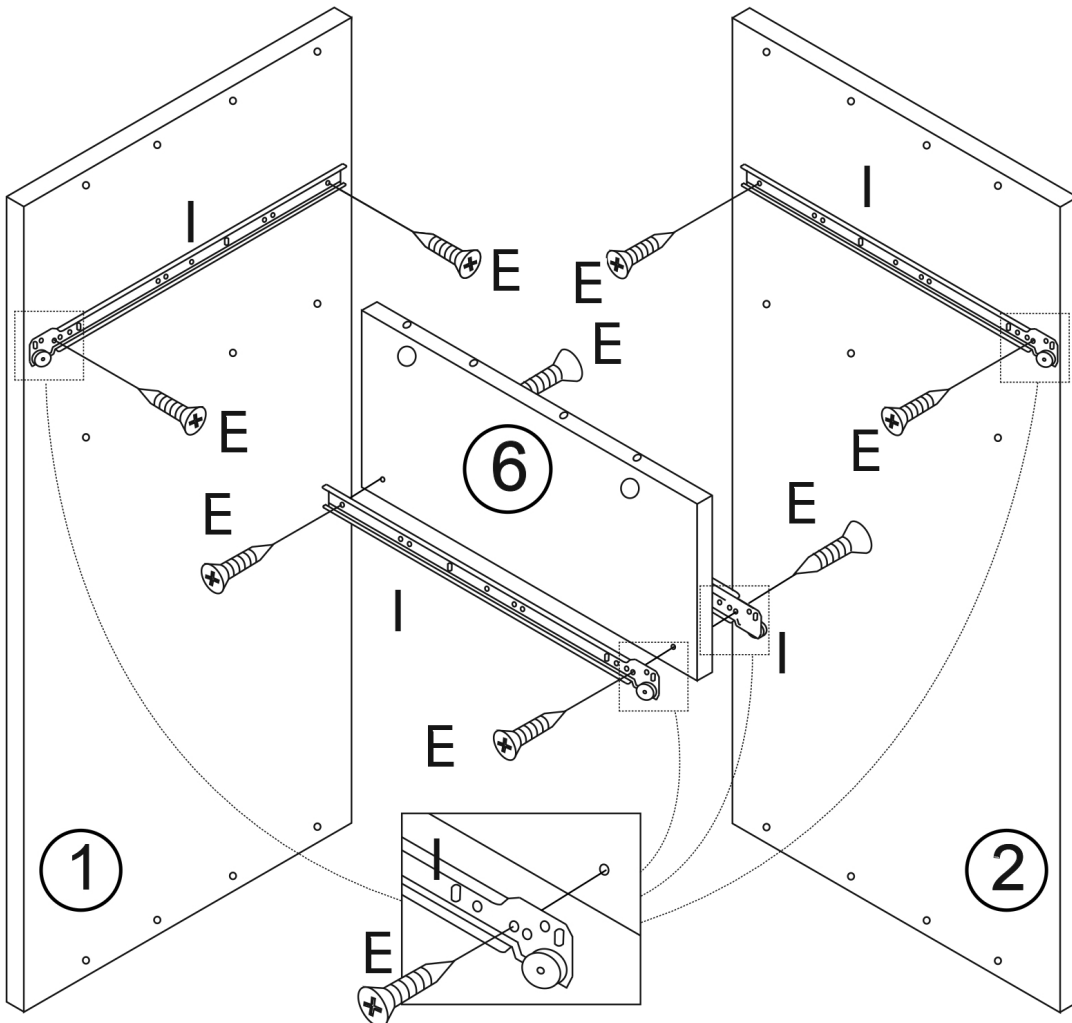


STEP 3

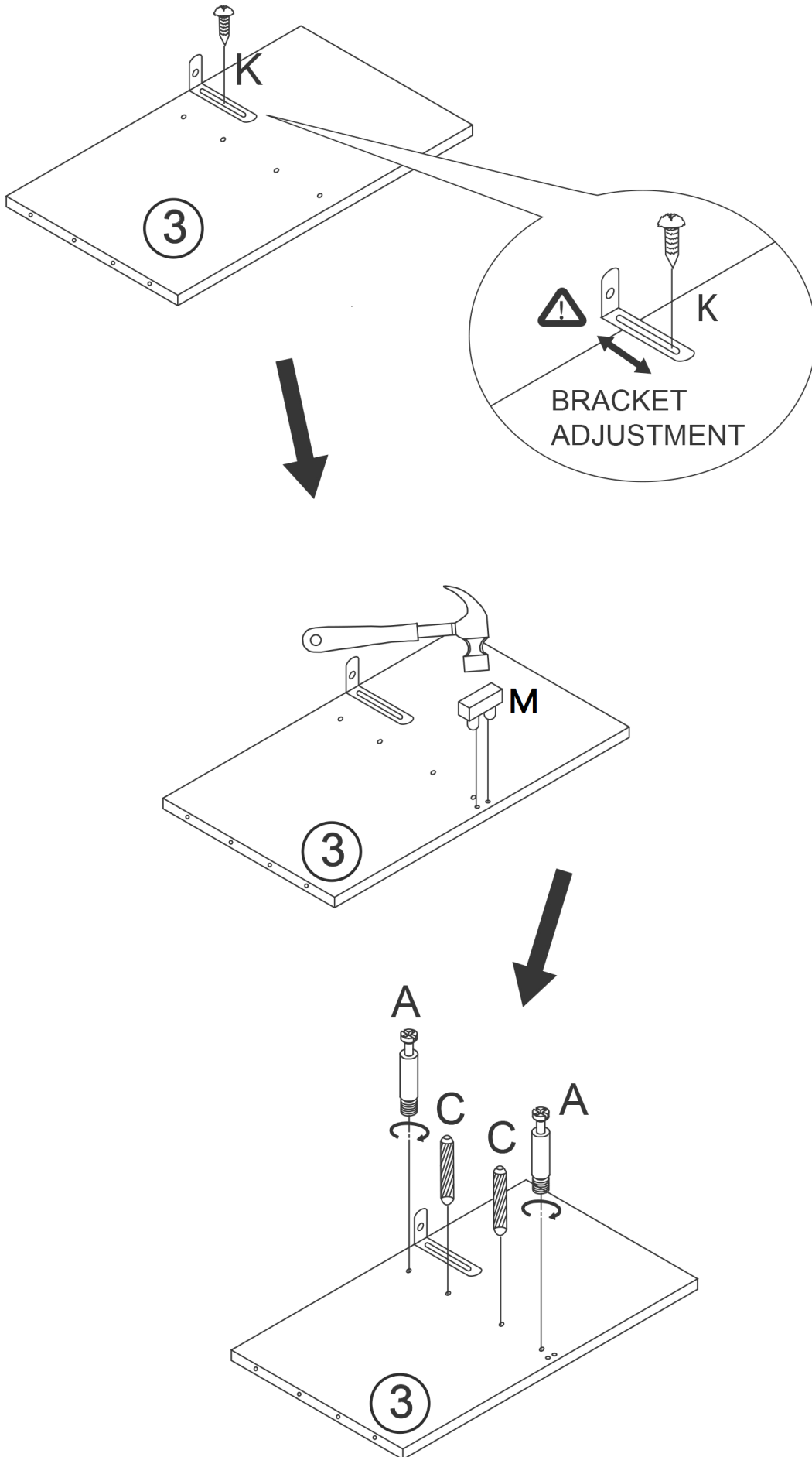


X2

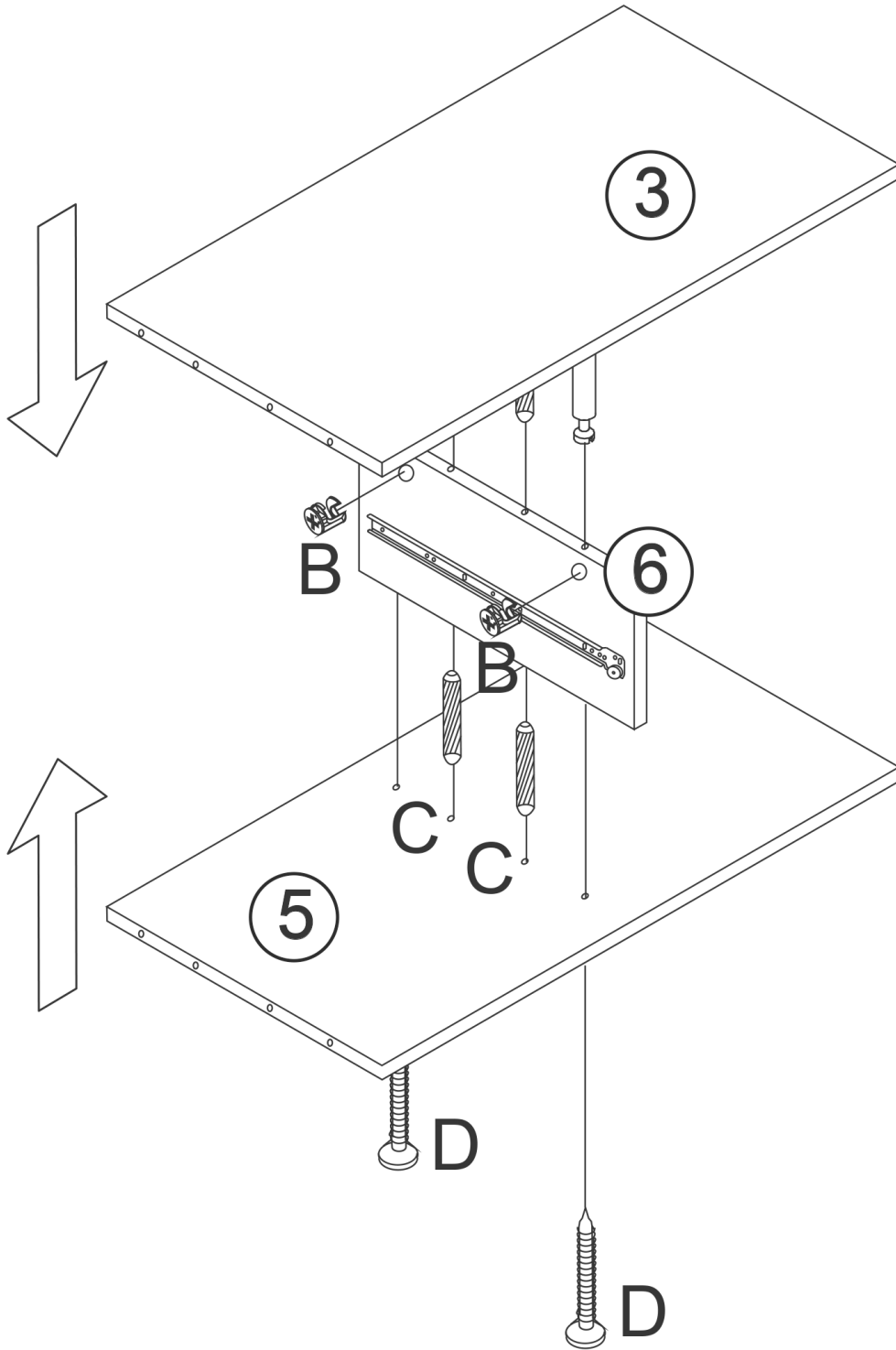
STEP 4



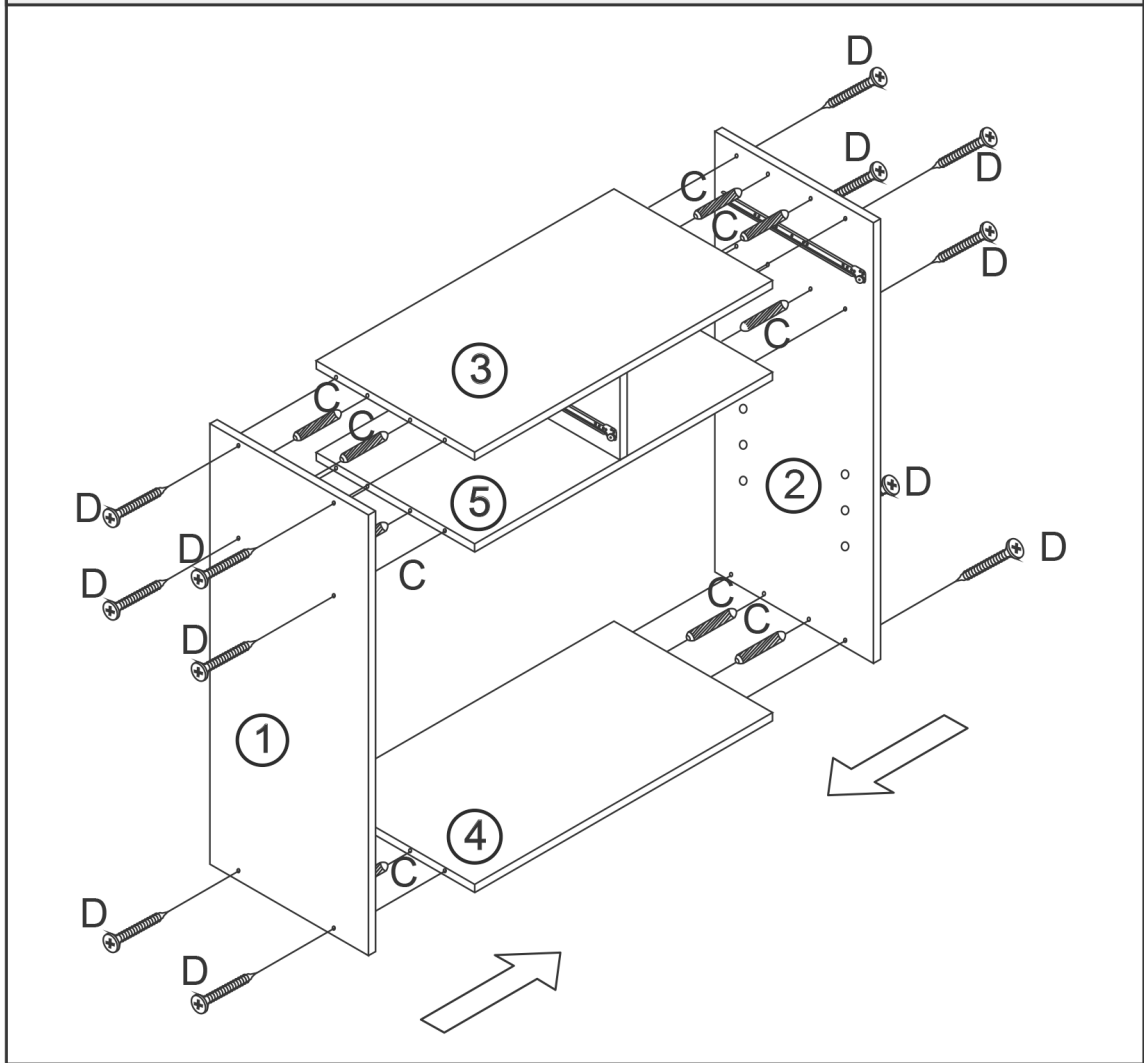
STEP 5



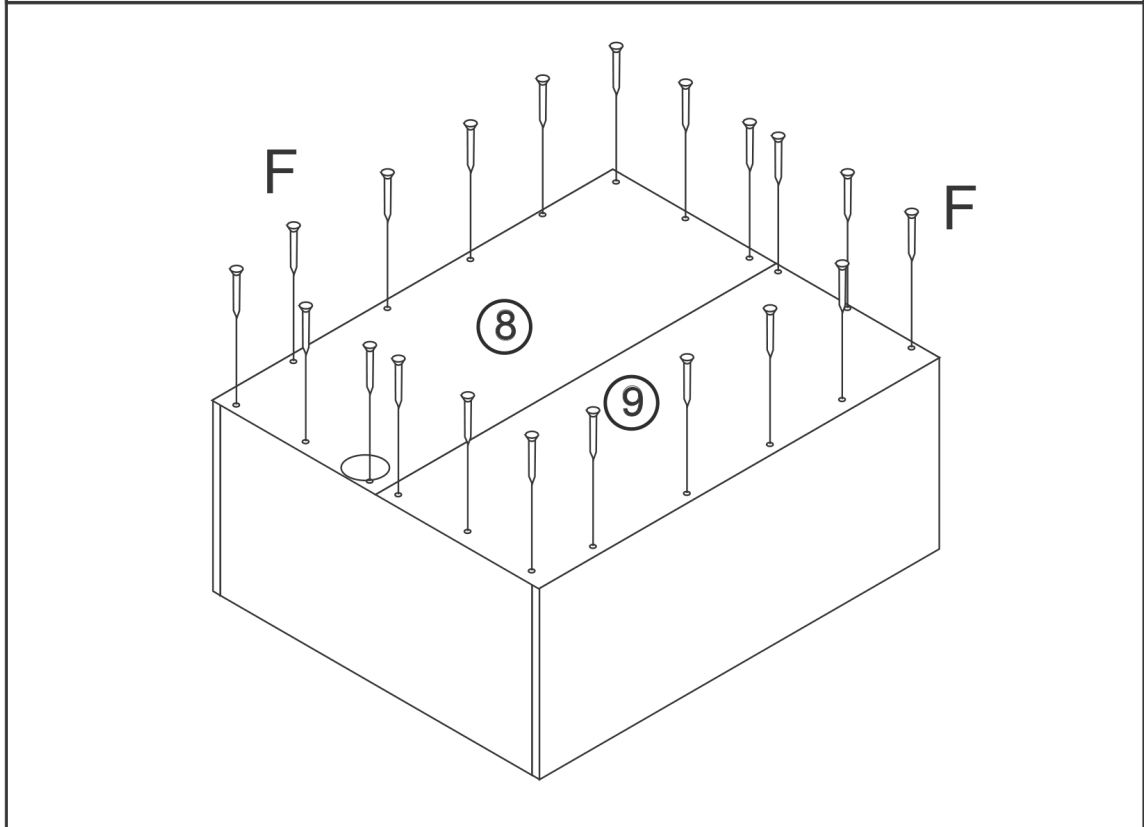
STEP 6



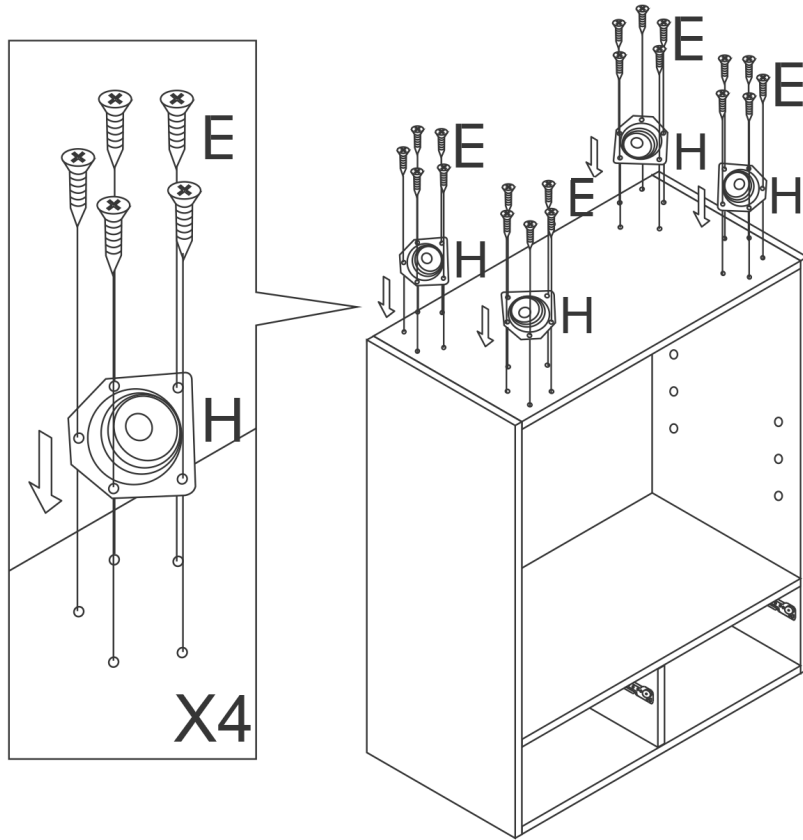
STEP 7



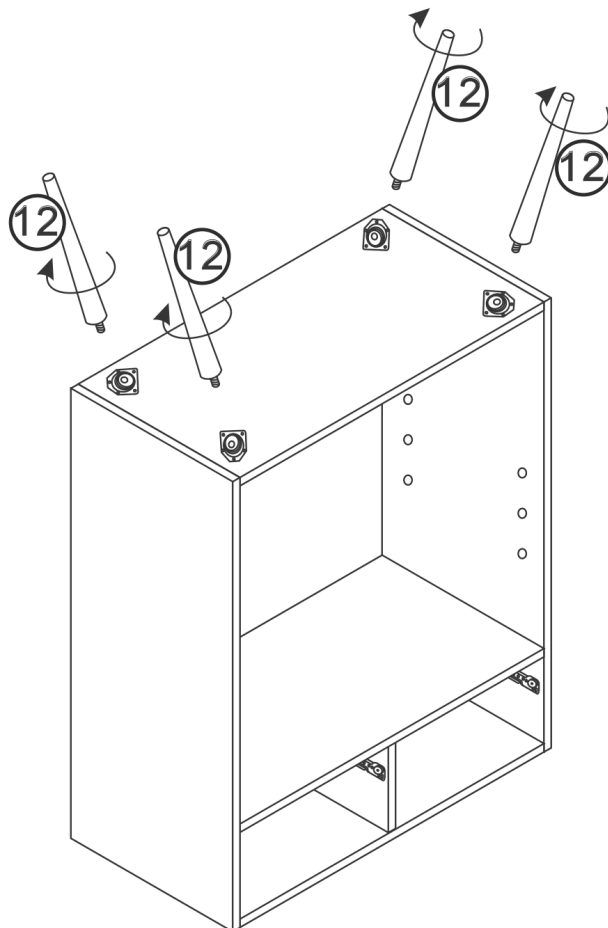
STEP 8



STEP 9

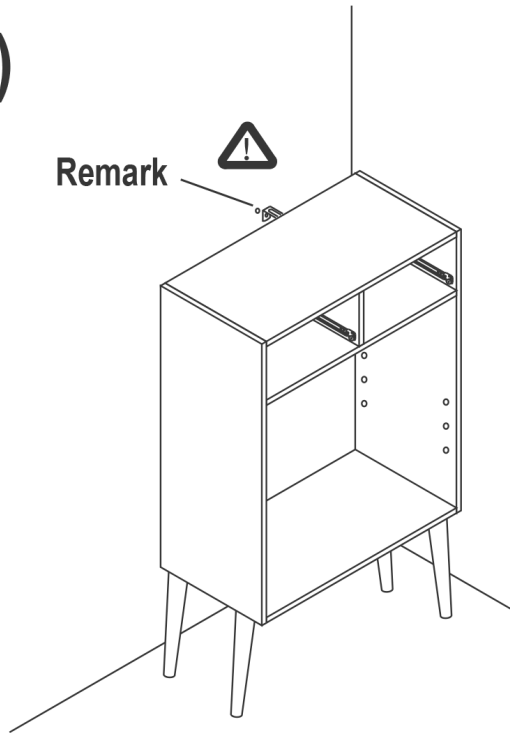


STEP 10

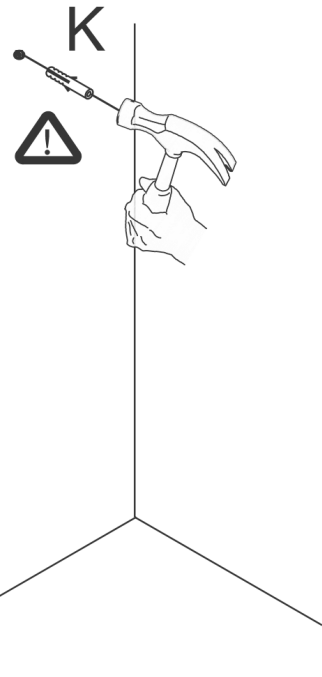


## WALL STRAP

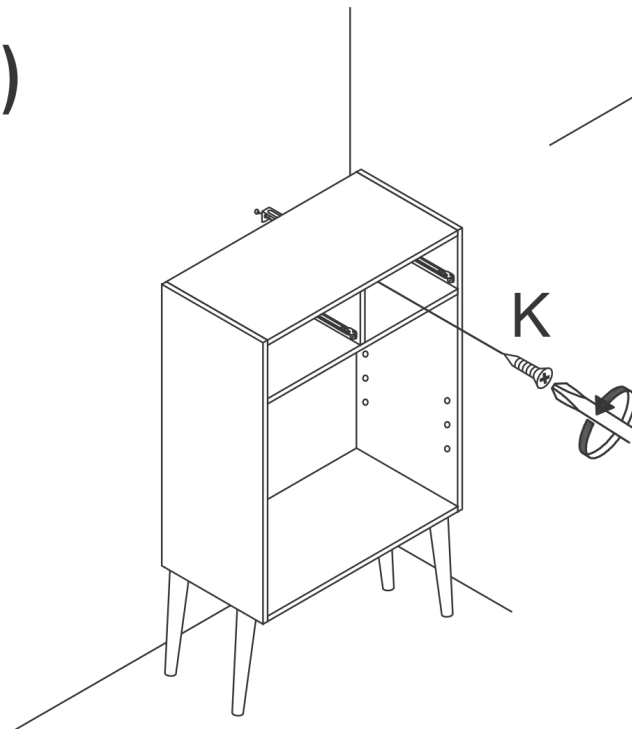
i)



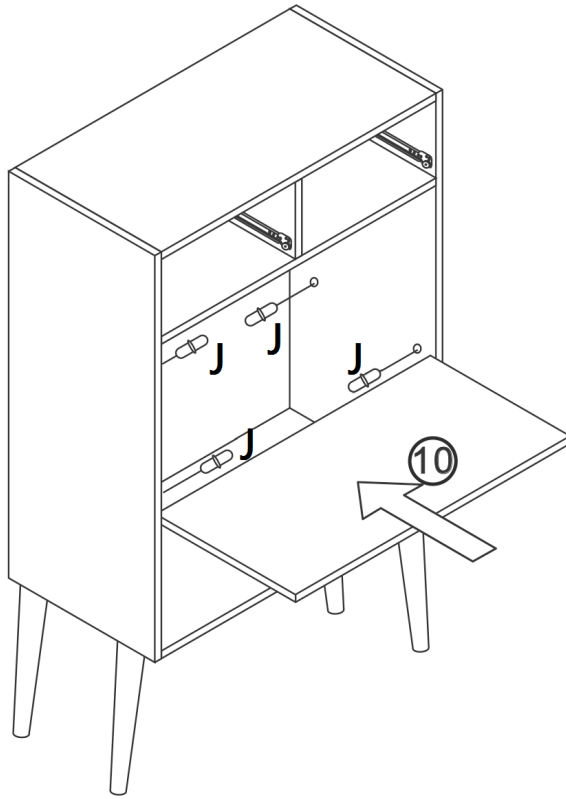
ii)



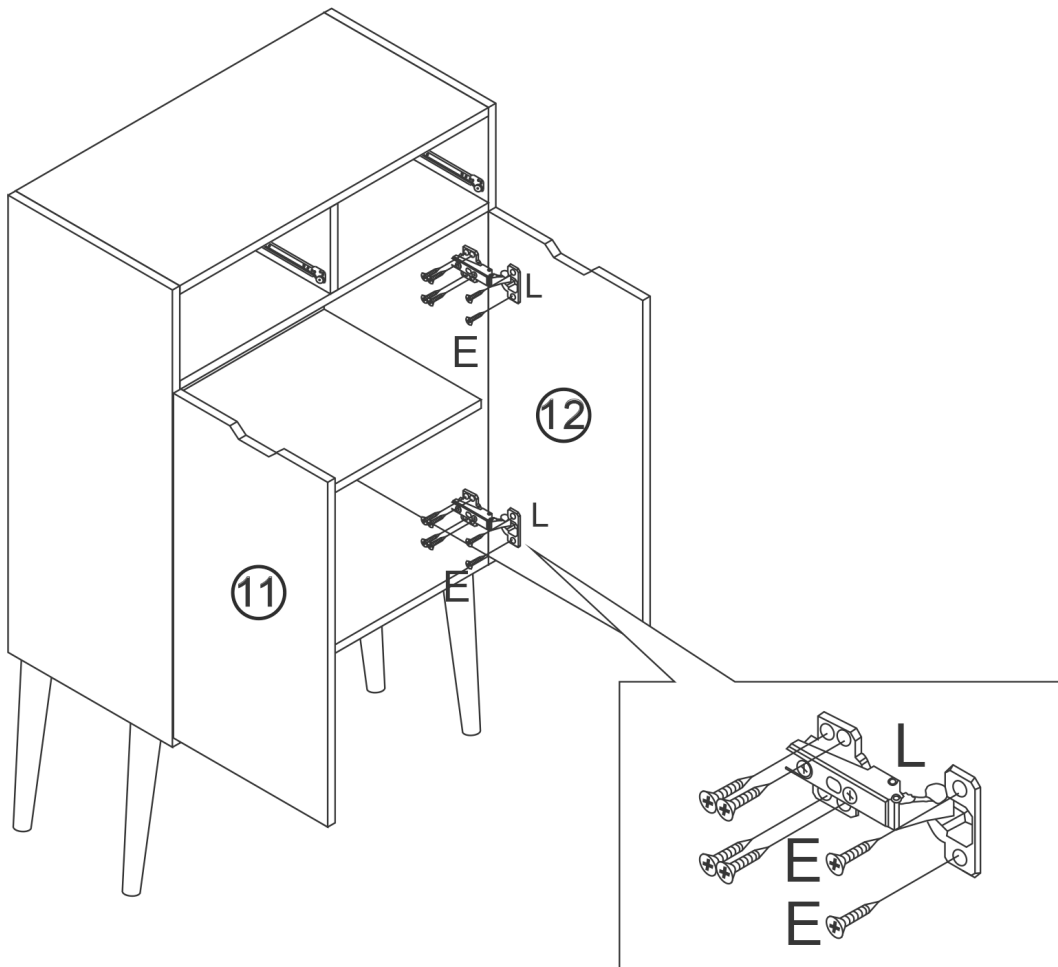
iii)



STEP 11



STEP 12



**STEP 14**

