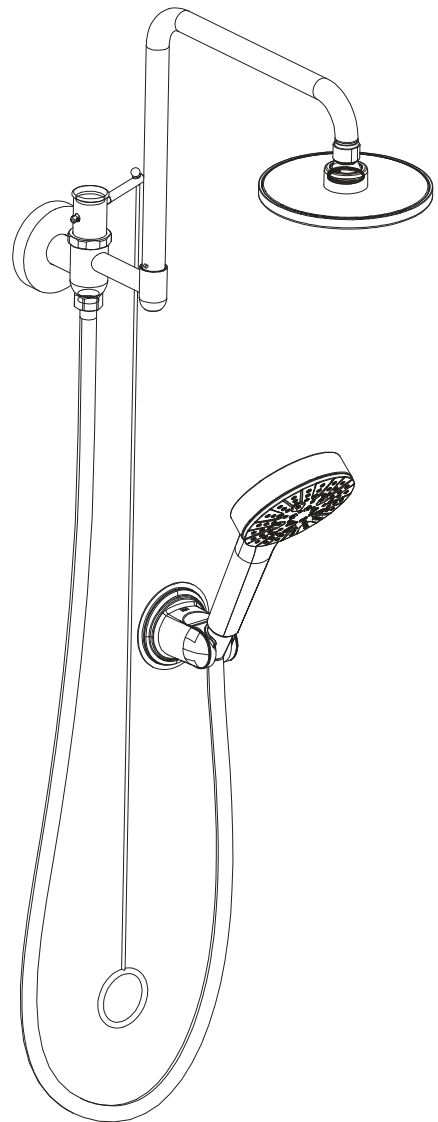
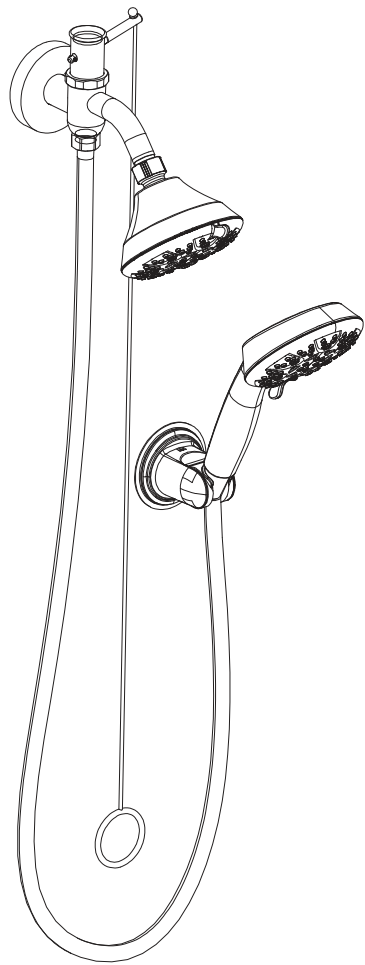
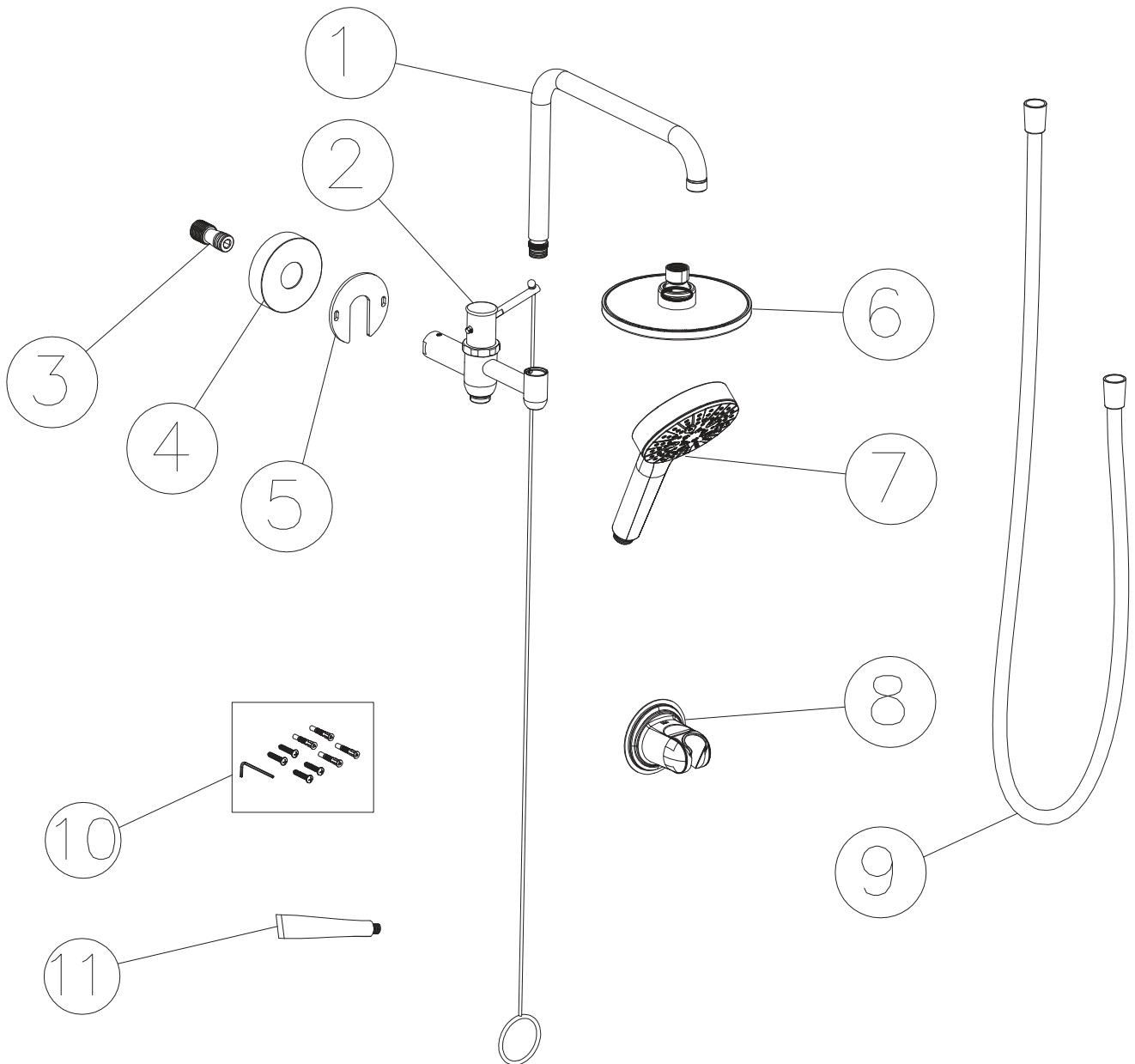


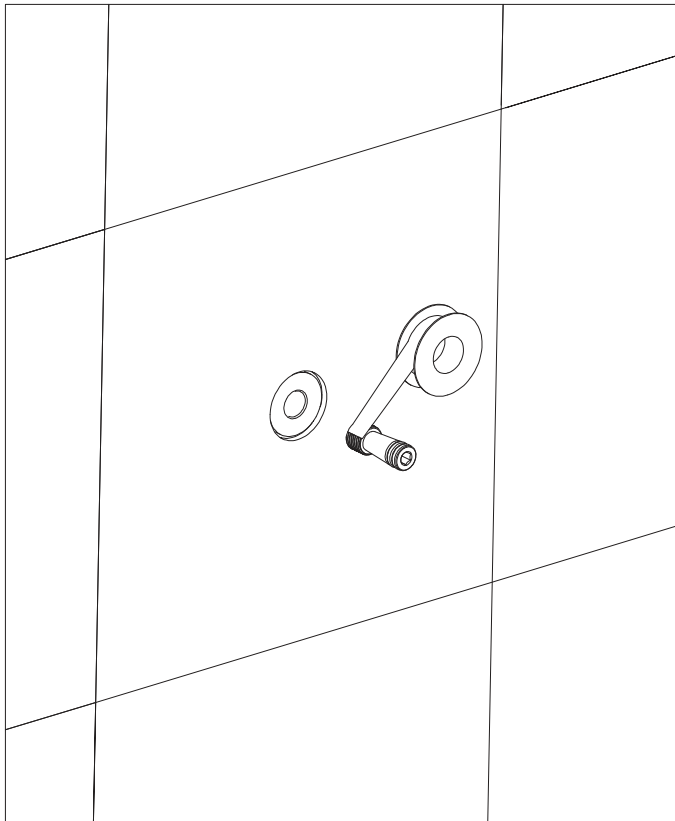
Installation and Operating Instructions



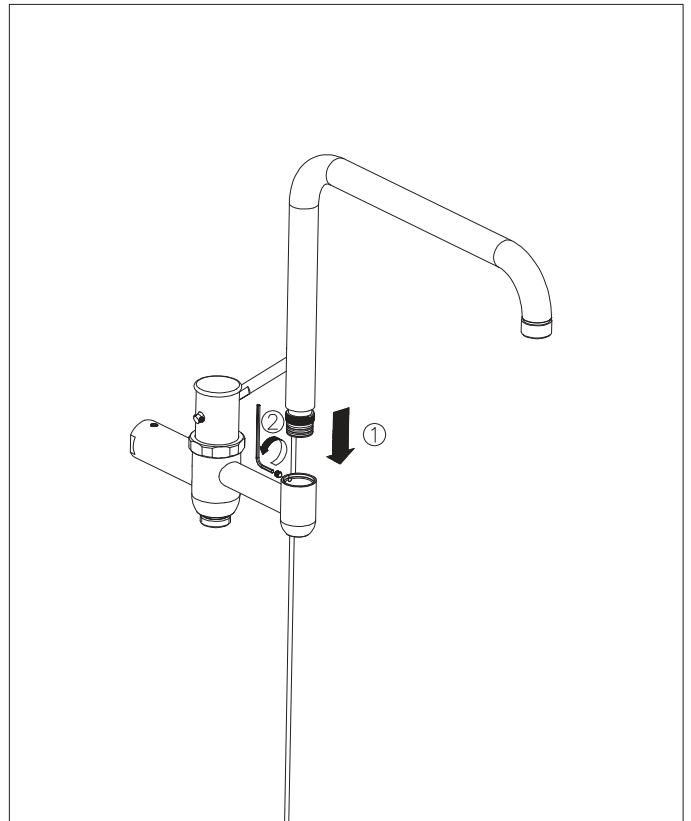
Parts list

Serial number	Name	Quantity	Serial number	Name	Quantity
1	Seven - shaped pipe	1	7	Hand - showerhead	1
2	Main body	1	8	Shower holder	1
3	Water inlet joint	1	9	Shower hose	1
4	Decorative cover	1	10	Screw pack	1
5	Fixed seat	1	11	Sealant fix	1
6	Top - showerhead	1			

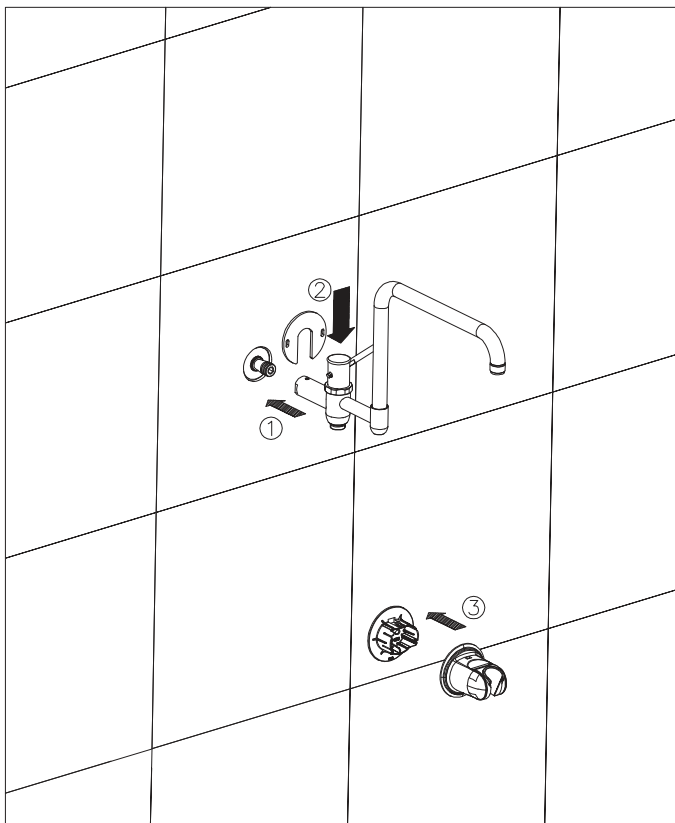




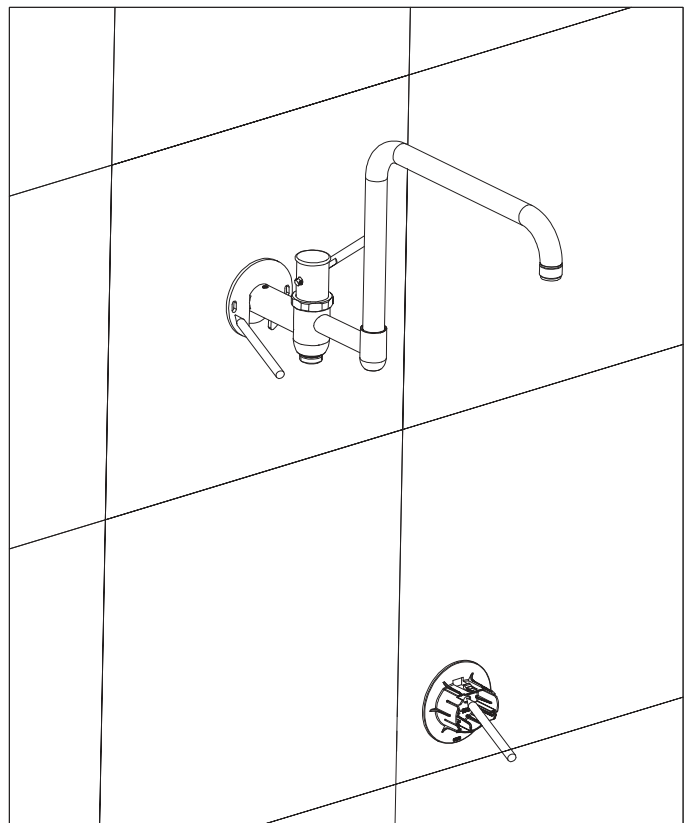
1. Screw the water inlet joint with thread tape onto the water pipe joint on the wall.



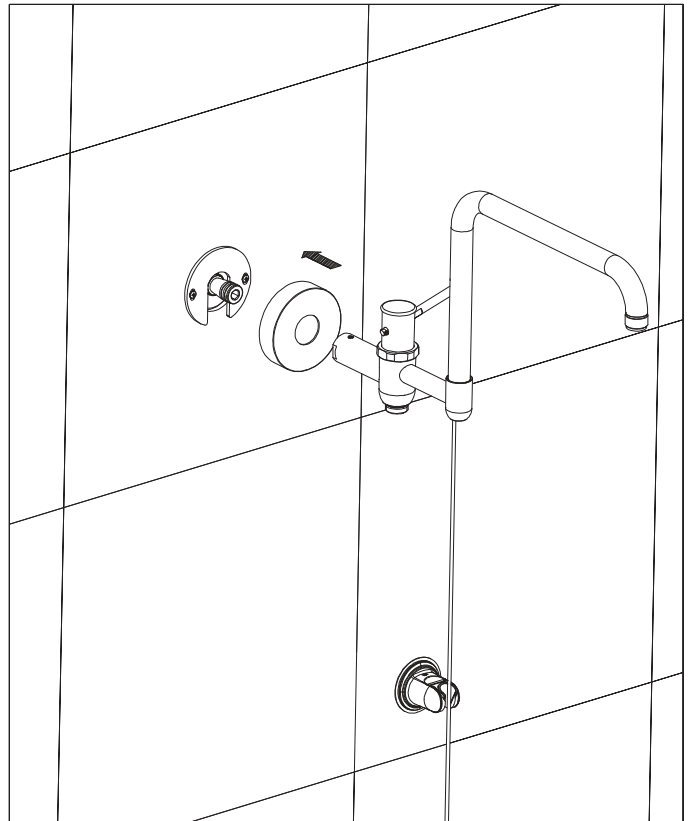
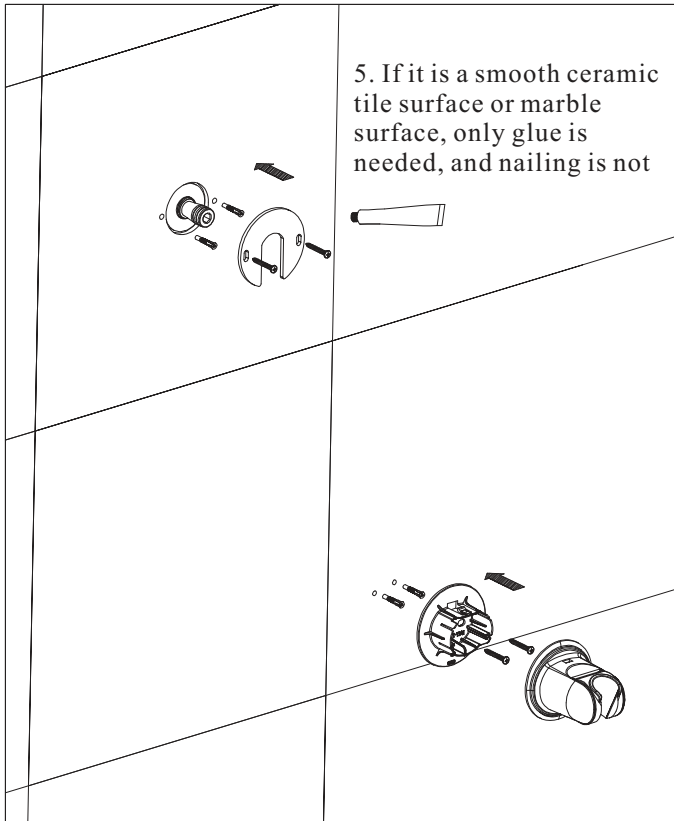
2.1 Insert the seven - shaped pipe into the main body, then turn it clockwise until it reaches the end, and then turn it counter - clockwise by a certain angle to adjust the direction.
2.2 Tighten the screws with a hexagon wrench to fix the seven - shaped pipe.



3.1 Insert the main body into the water inlet joint, make it close to the wall, and check whether the main body is vertical.
3.2 Insert the fixed seat into the main body slot.
3.3 If it is a smooth ceramic tile surface or marble surface, tear off the double - sided adhesive on the back of the shower holder and stick it on the wall. If it is a rough surface, it needs to be fixed with nails.

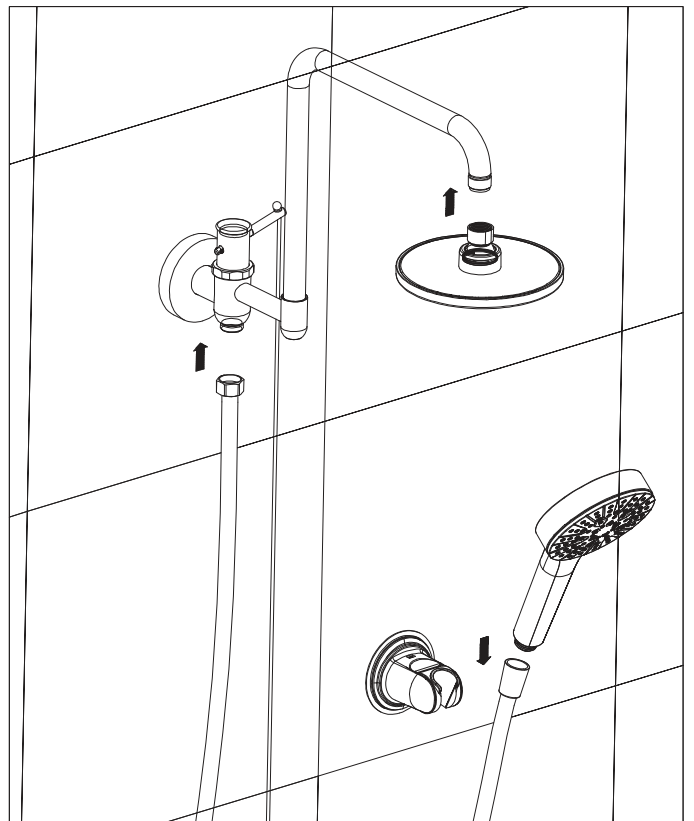
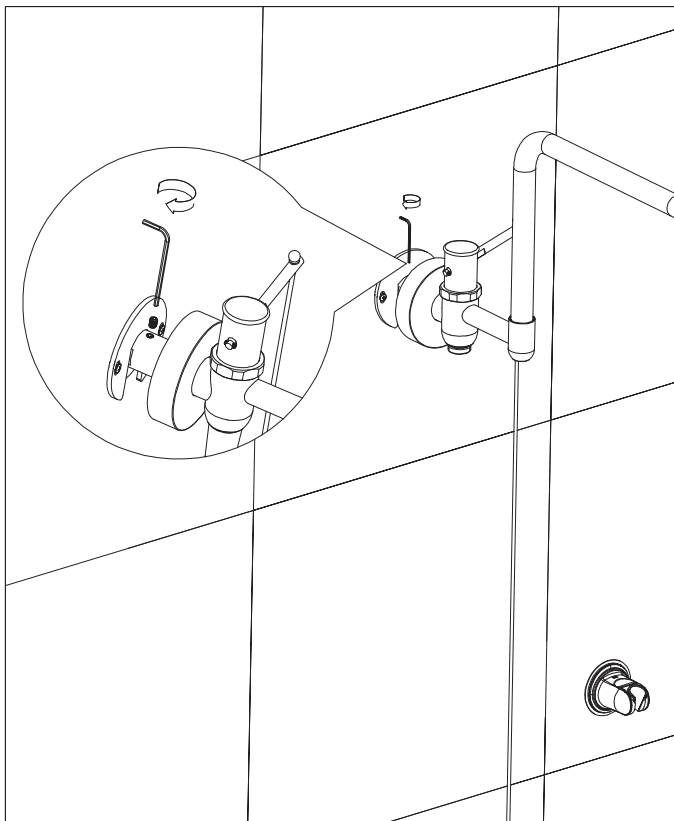


4. Mark the position of the screw hole on the fixed seat after fitting the shower holder in place.



5.1. Drill a 6mm hole at the marked position with a depth of 40mm.
 5.2. Drive the plastic nail into the hole, and install the fixing seat and the shower holder on the wall with self-tapping screws.

6. Put the decorative covers on the main body, and then install the main body onto the water inlet joint.



7. Tighten the screws with a hexagon wrench.

8. Install the hand - showerhead and the top - showerhead onto the main body respectively.