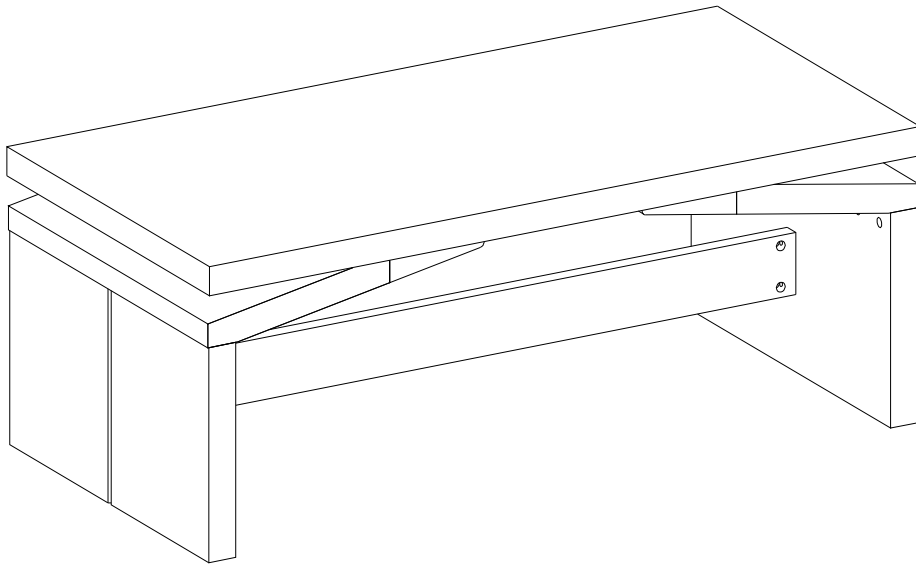


**WALKER EDISON**  
TM

## Coffee Table

SKU# WEBKR25474



**For Residential Use Only**

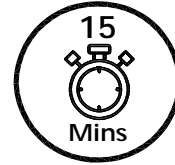
Please visit our website for the most current instructions, assembly tips, report damage, or request parts. [www.walkeredison.com](http://www.walkeredison.com)



# Time to get started

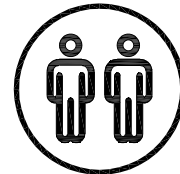
Set up a clean and soft workplace to get started and avoid damage during the assembly. It also helps to double-check that you've got all the pieces and parts before diving in to assembly.

Estimated time for assembly



People recommended for assembly

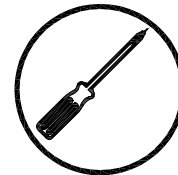
Make it a team effort! Grab a friend for quicker, easier assembly.



2 People Build

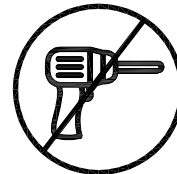
Tools Needed

Grab a Phillips head screwdriver to conquer this assembly



Use power tools with caution

You can cause cracking or damage to the material and easily strip the hardware. If you choose to use a power tool, your product will no longer be covered under Walker Edison's warranty.



Glue is provided to secure wood dowels in place

When inserting dowels, locate the appropriate hole, place a small amount of glue in the hole, and then insert the dowel. Wipe away excess glue immediately.

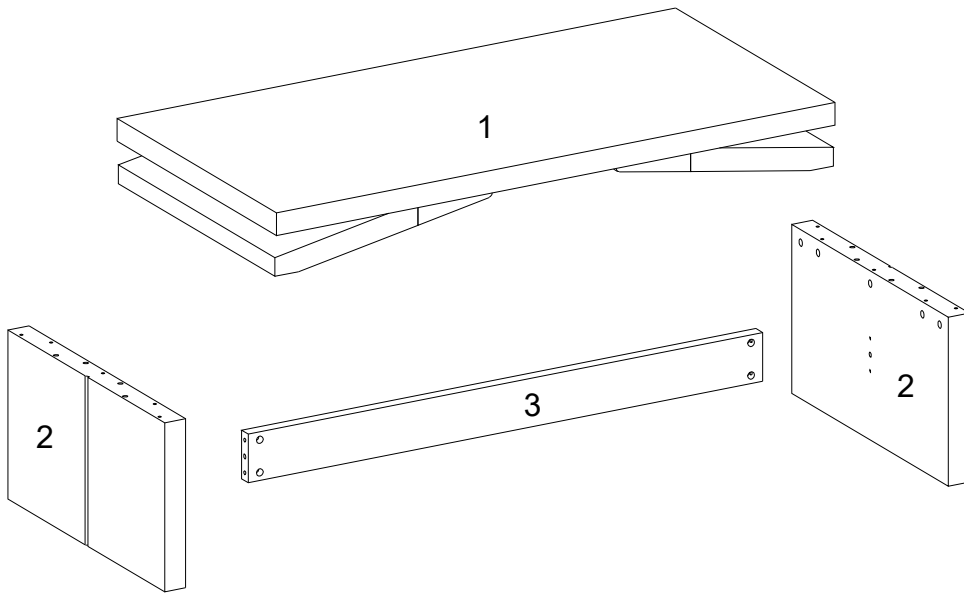


Scan to get assembly tips and help!




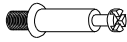




# Parts List

Part Number	Description	Quantity
1	Top Panel	1
2	Support Foot	2
3	Support Panel	1





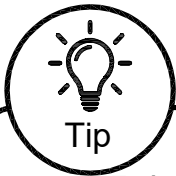
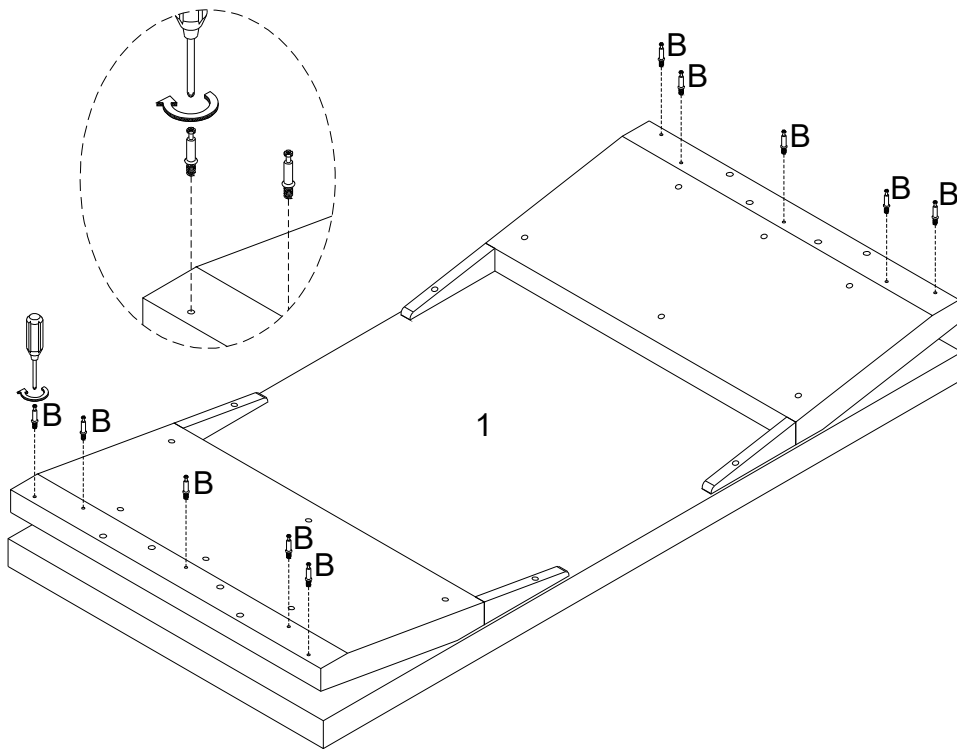
# Hardware List

Part	Size	Name	Quantity
A	 10x40mm	Wooden dowel	10
B	 6x35mm	Cam bolt	14
C	 15x11mm	Cam lock	14
D	 30mm	Sticker	14
E	 15mm	Sticker	16
F		Glue tube	1

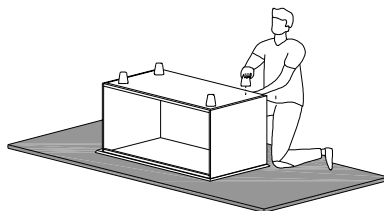
*The hardware quantities listed above are required for proper assembly.  
Extra hardware pieces may be included.*

# Step 1

Let's get started! Using a Phillips head screwdriver, screw the cam bolts (B) into the Top Panel (1).

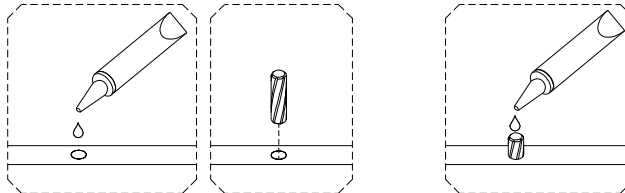
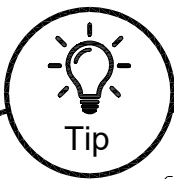
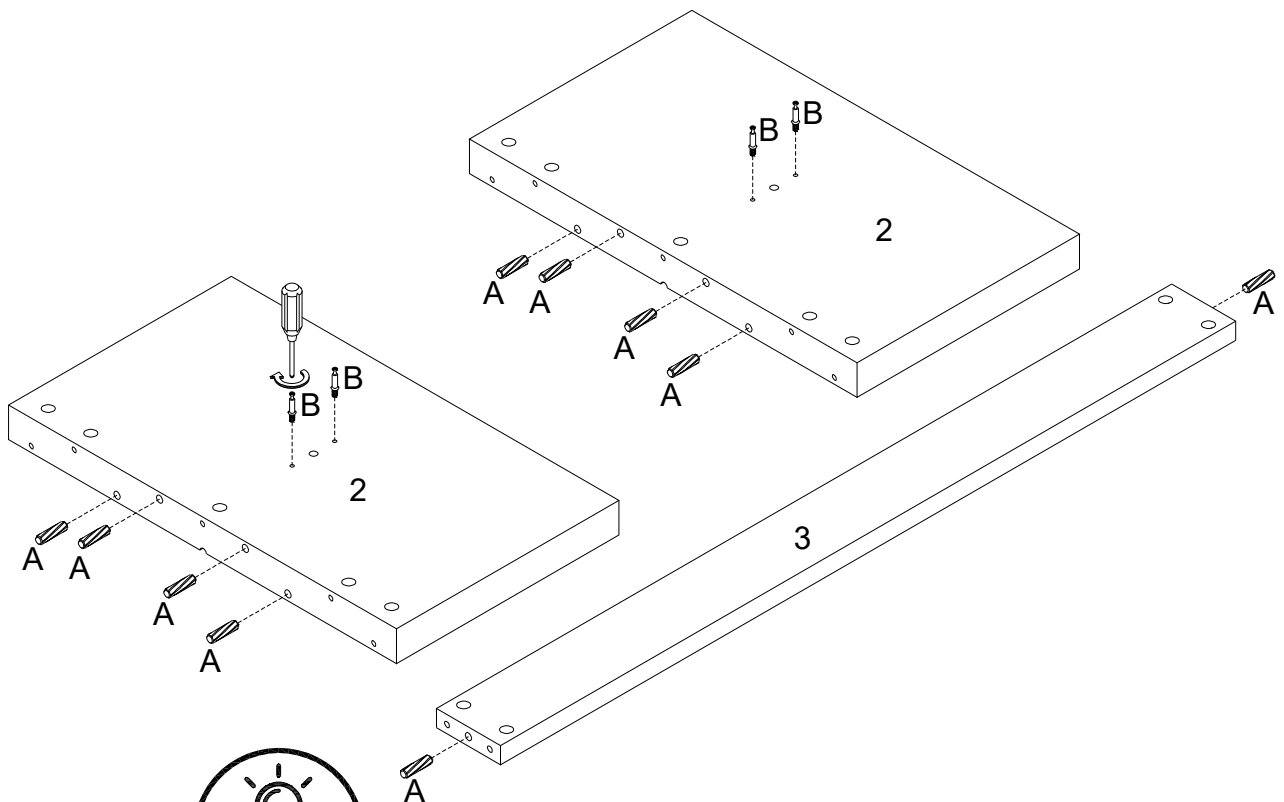


To keep your product looking its best and scratch-free, try assembling it on a soft surface like carpet or a blanket. This helps prevent any accidental scratches and keeps your furniture in top shape!



# Step 2

Screw cam bolts (B) into both the Support Feet (2), then insert wooden dowels (A) into the Support Feet (2) and the Support Panel (3).

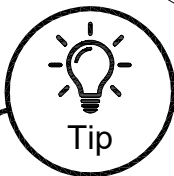
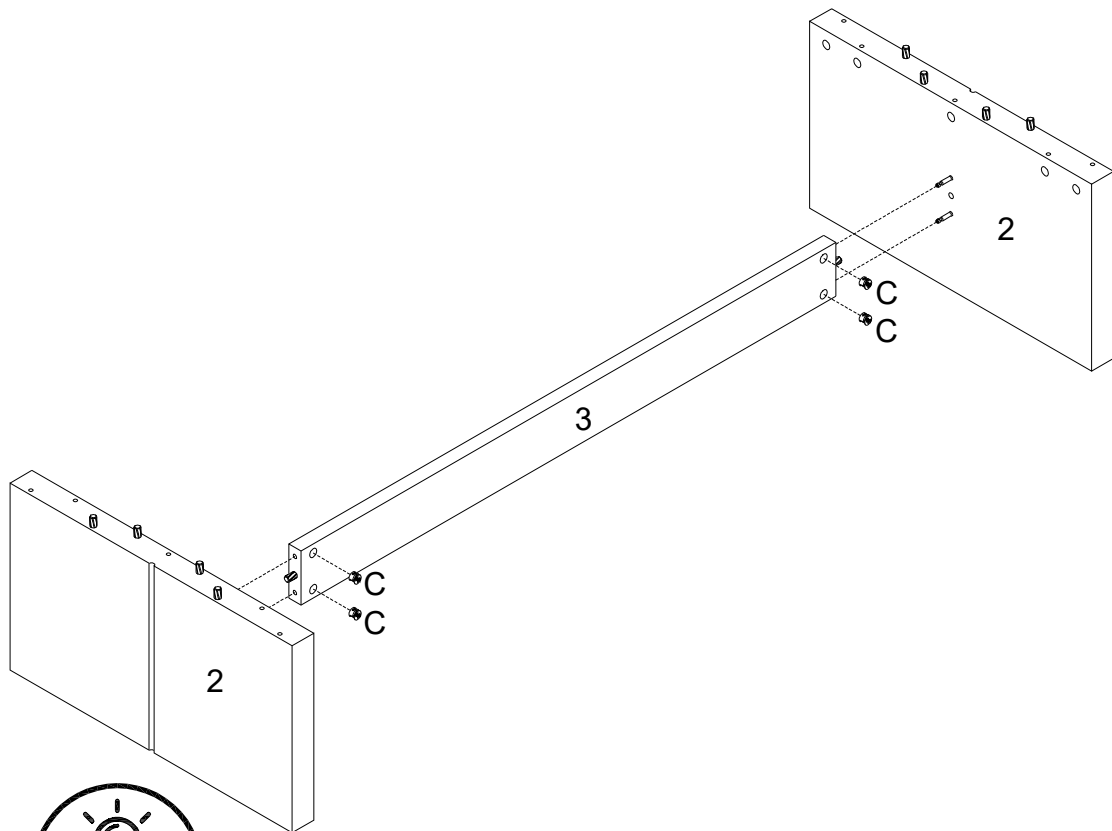


1: The provided glue is to secure wood dowels in place. When first inserting dowels, locate the appropriate hole for the dowel, place a small amount of glue in the hole and insert the dowel. Wipe away excess glue immediately.

2: In future assembly steps when dowels are necessary to attach assembly parts together, place a small amount of glue on the end of the dowel before attaching parts together. Wipe away excess glue immediately.

# Step 3

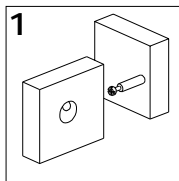
Now, secure the Support Panel (3) to the Support Feet (2) via the cam bolts (B). Insert cam locks (C) and tighten with a screwdriver.



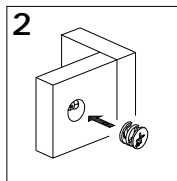
Tip

## Cam Locks

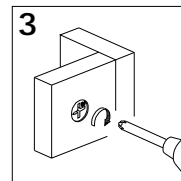
Cam Locks help securely join two pieces together.  
Follow these easy steps.



1: Insert Cam Bolt into bolt holes on the flat side. Don't over tighten!



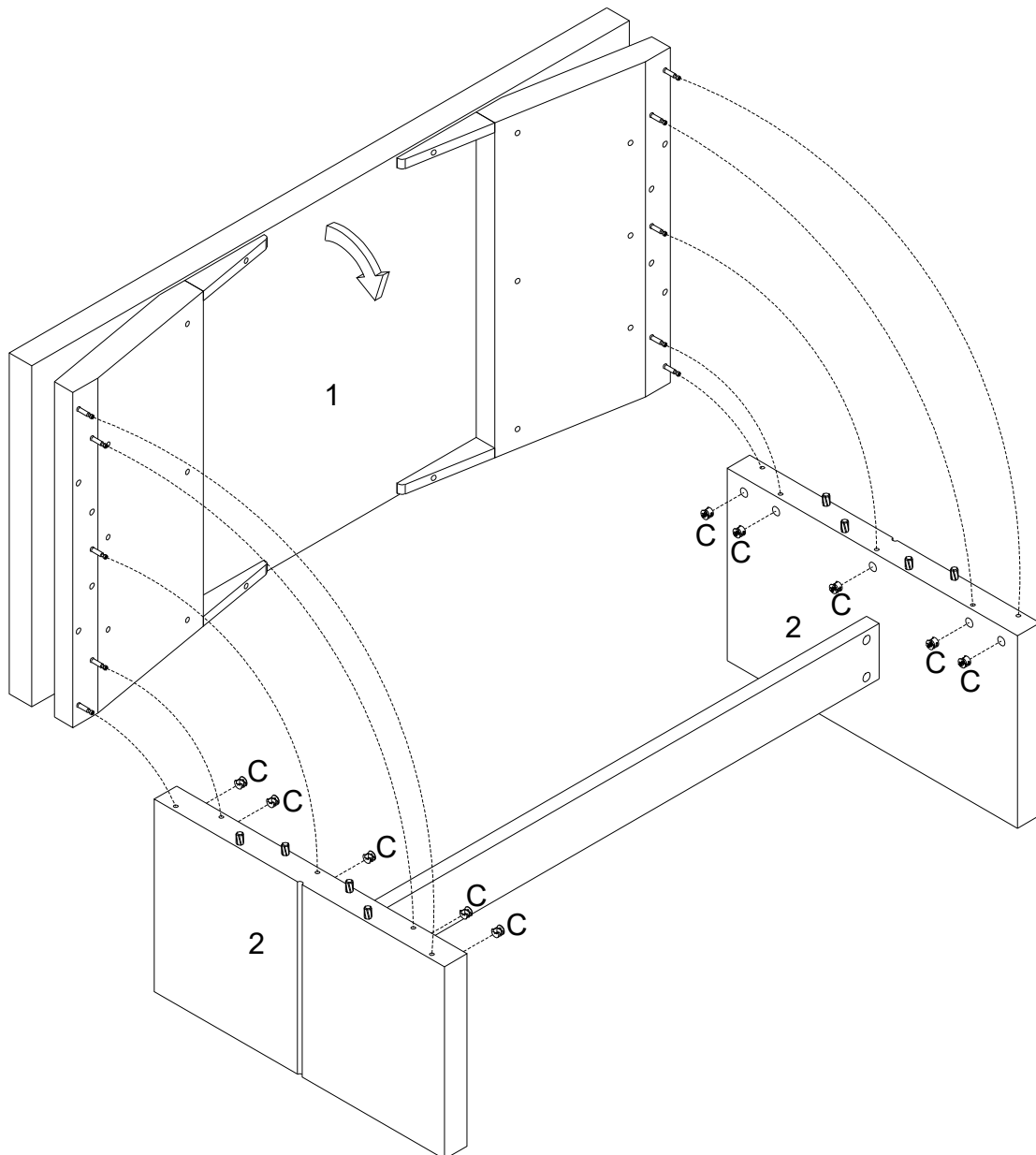
2: Fit the proper holes on the edge of the other part over the Cam Bolts. You should be able to see the cam bolts through the larger hole on the side.



3: On the back of the Cam Lock will be a "C" shape. Insert the Cam Lock so the opening of the "C" fits over the Cam Bolt. Tighten with the screwdriver.

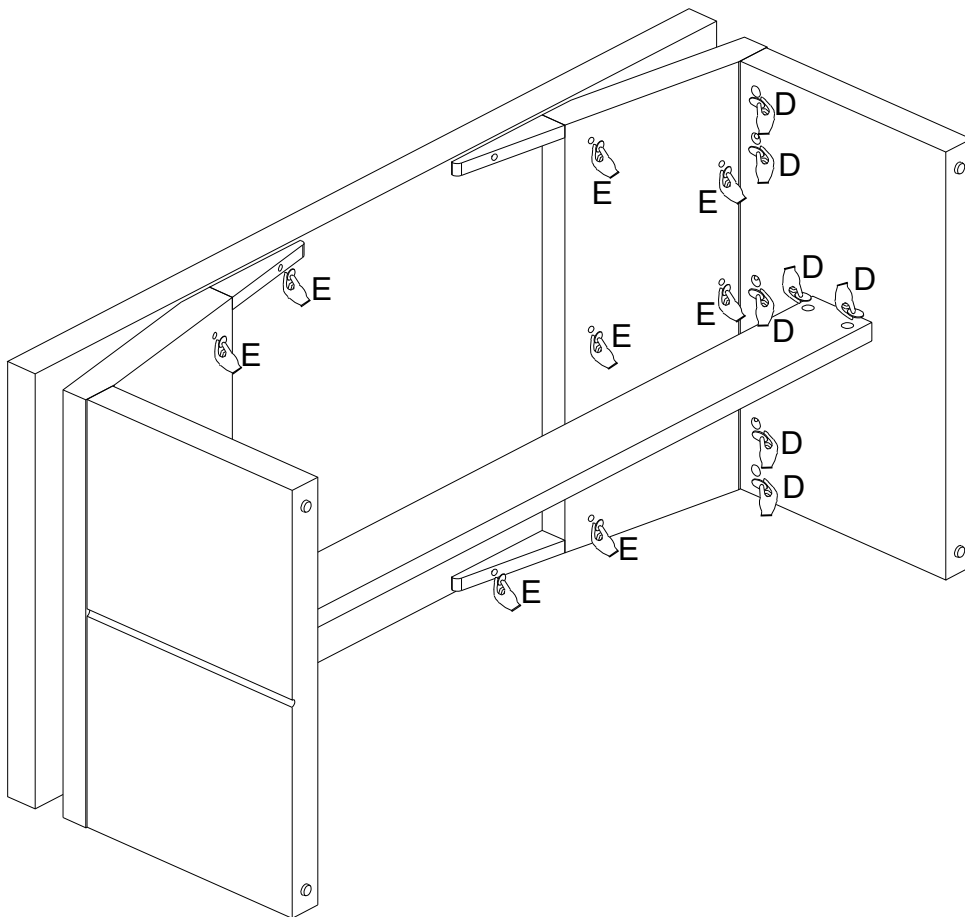
# Step 4

Attach the Top Panel (1) to both Support Feet (2) via the cam bolts (B). Insert cam locks (C) and tighten with a screwdriver.

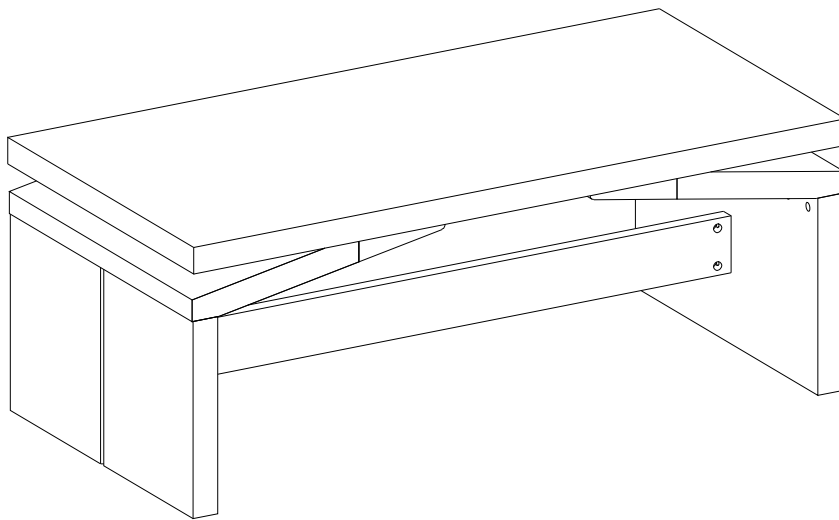


# Step 5

Use the provided stickers (D) and (E) to ensure a clean finish.



# Final Assembly



**Congratulations on your new piece of furniture!**

We would love to hear about it and see it.  
Please leave us a review or post a picture with  
**#mywalkerredisonhome**

# Assembling furniture can be tricky sometimes.

Our customer service team, located in Utah, is here for product information, help assembling a product, or for any other customer support issue

Call us at **801-433-3008**

Email us at [service@walkeredison.com](mailto:service@walkeredison.com)

Visit our Customer Service website at  
[walkeredison.com/pages/customer-service](http://walkeredison.com/pages/customer-service)

We are available to help Monday -Thursday 8am-5pm, Friday  
8am-3pm MST

For details on Assembly Videos, Assembly Instructions,  
Replacement Parts, and Customer service,  
**SCAN HERE**

