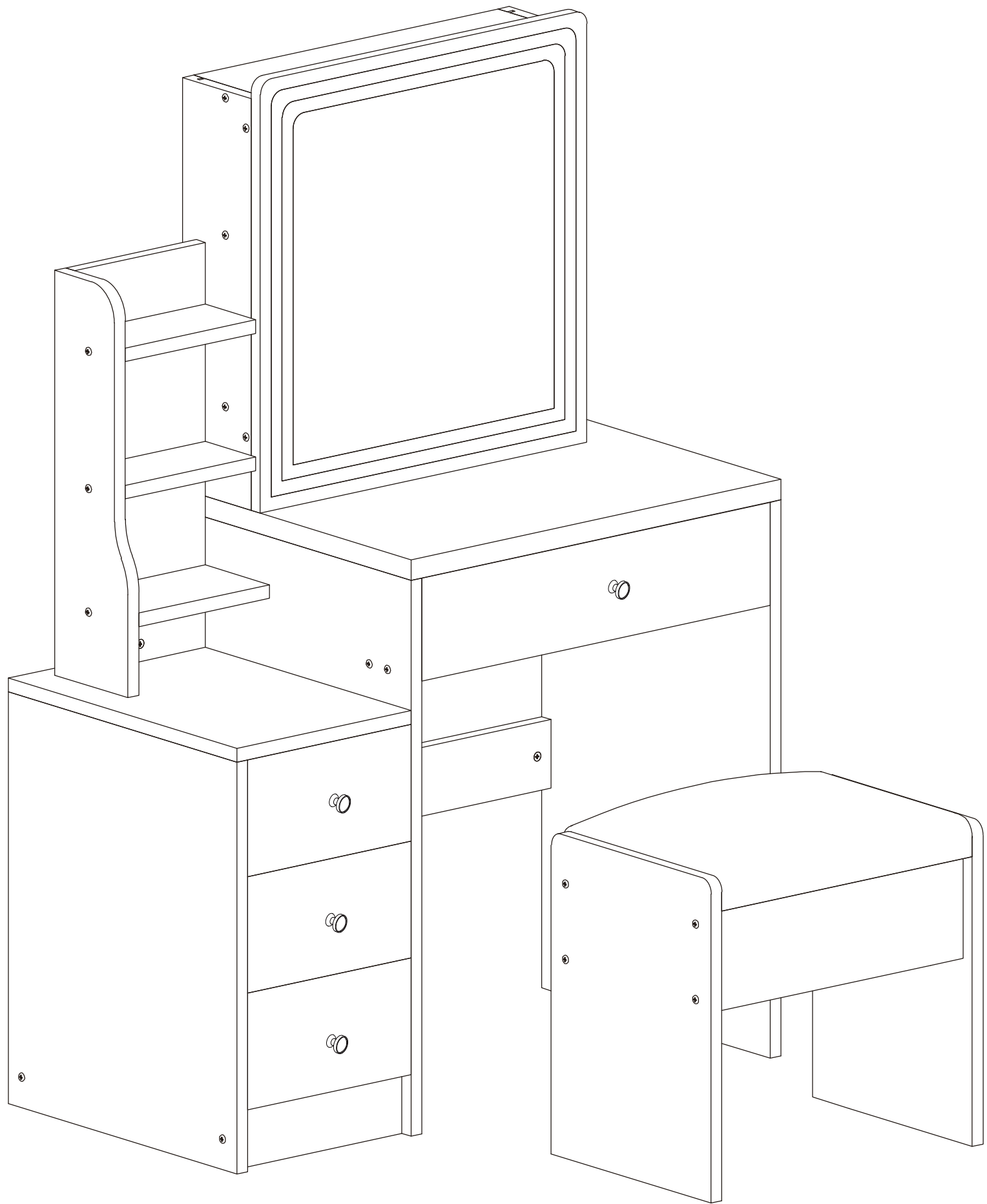


VANITY TABLE

INSTALLATION



(Small-sized) vanity tables have three version: simple, basic, and luxury.

Simple version: without mirror light, built-in socket, and hair dryer bracket, therefore there is no mirror light power plug, built-in socket, and hair dryer bracket in the accessories.

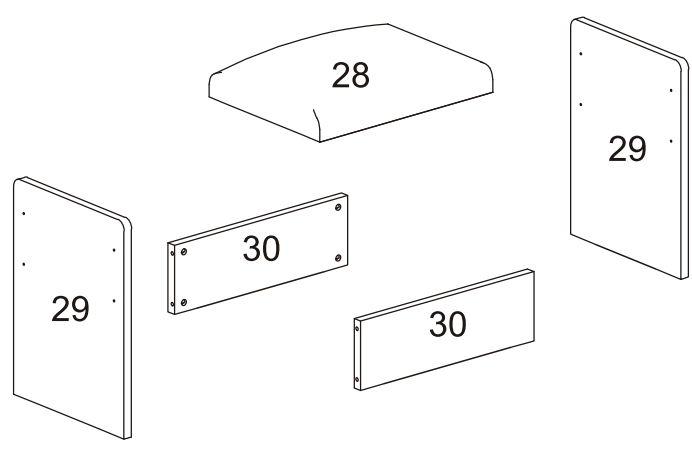
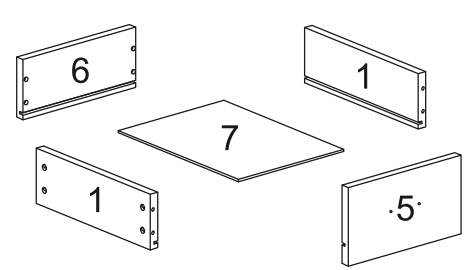
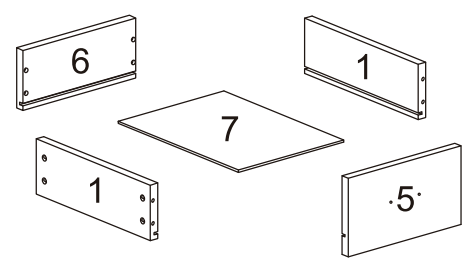
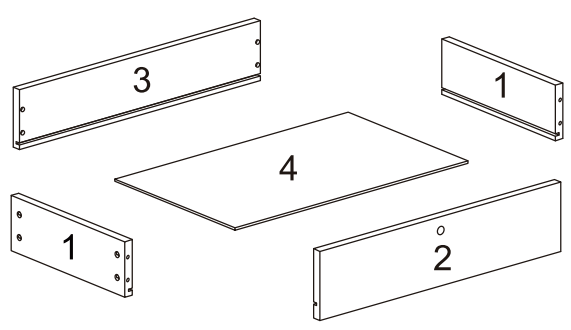
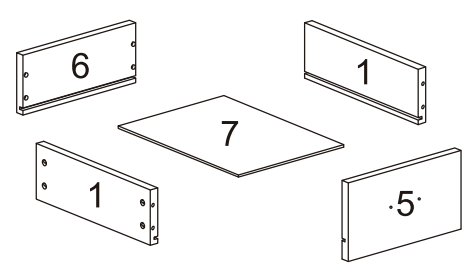
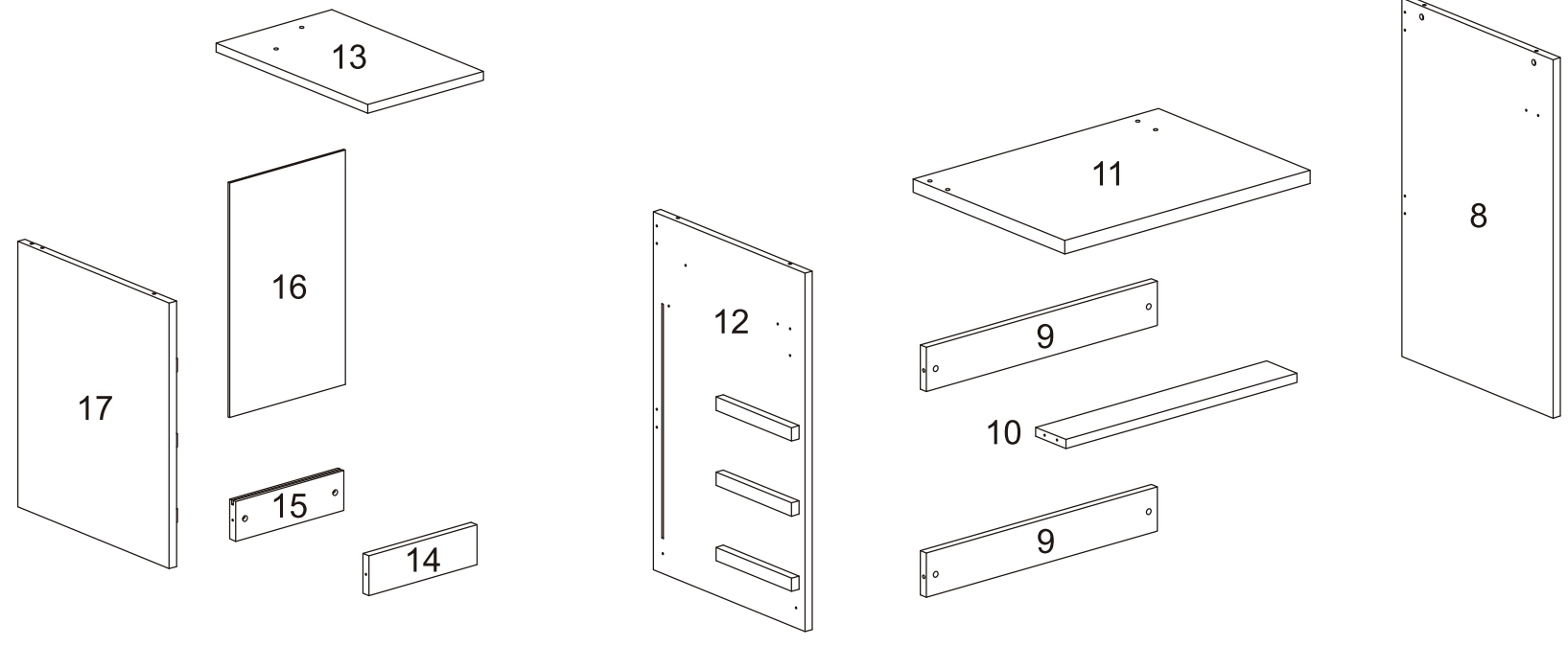
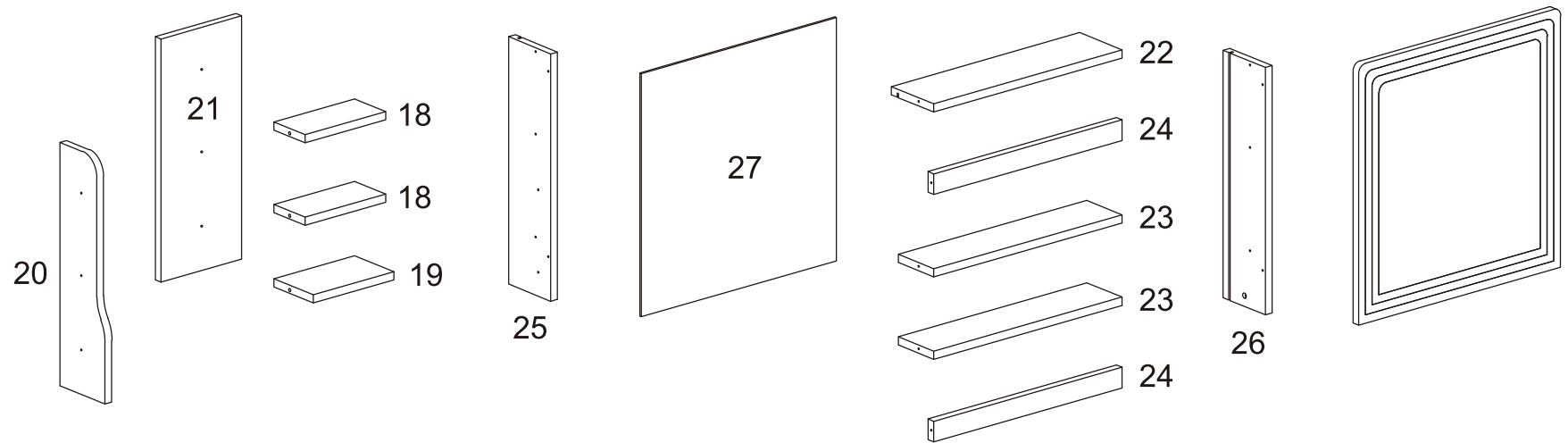
Basic version: with mirror light, without built-in socket, hair dryer stand. Therefore, there is no built-in socket and hair dryer stand in the accessories.

Luxury version: with mirror light, built-in socket, hair dryer stand, therefore, there are power plug, built-in socket, and hair dryer bracket in the accessories.

Please notice:

Screw C is a drawer positioning pin that prevents the drawer from falling off when opened. After installation, please confirm that all positioning screws C have been installed.





1 - x8	16 - x1
2 - x1	17 - x1
3 - x1	18 - x2
4 - x1	19 - x1
5 - x3	20 - x1
6 - x3	21 - x1
7 - x3	22 - x1
8 - x1	23 - x2
9 - x2	24 - x2
10 - x1	25 - x1
11 - x1	26 - x1
12 - x1	27 - x1
13 - x1	28 - x1
14 - x1	29 - x2
15 - x1	30 - x2



1 -x8



2 -x1



3 -x1



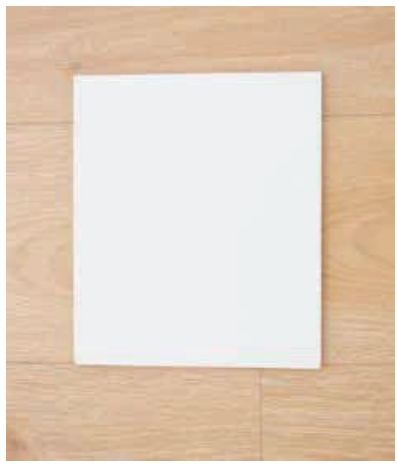
4 -x1



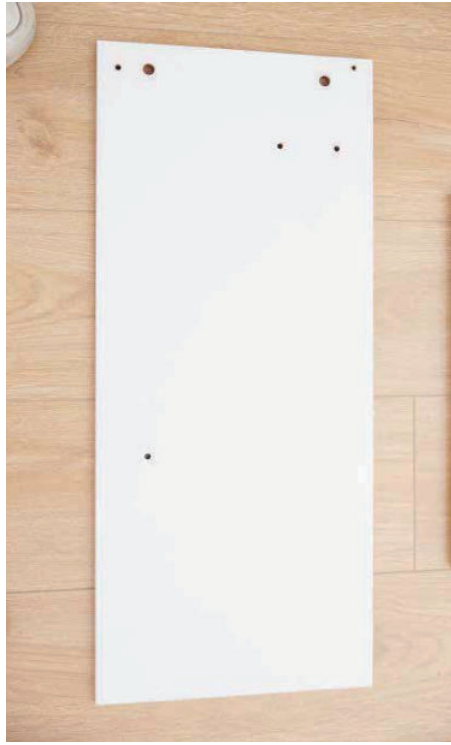
5 -x3



6 -x3



7 -x3



8 -x1



9 -x2



10 -x1



11 -x1



12 -x1



13 -x1



14 -x1



15 -x1



16 -x1



17 -x1



18 -x2



19 -x1



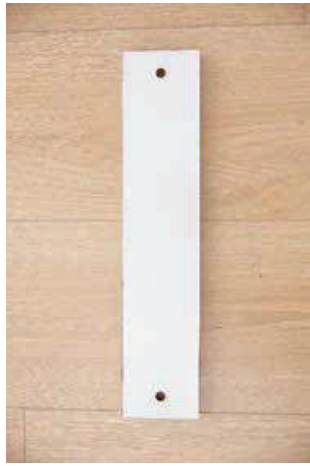
20 -x1



21 -x1



22 -x1



23 -x2



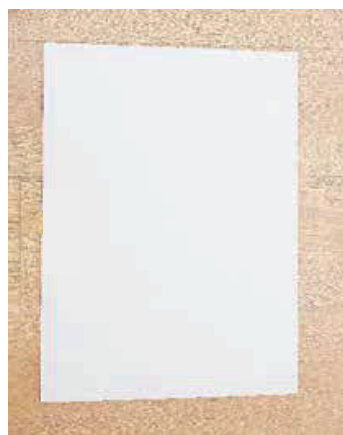
24 -x2



25 -x1



26 -x1



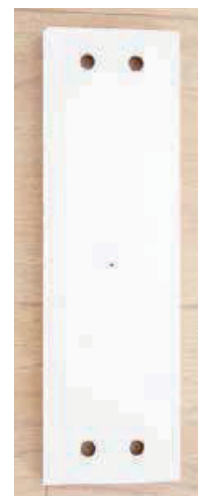
27 -x1



28 -x1



29 -x2



30 -x2



31 -x1

HARDWARE



A	SCREW & PLASTIC LOCK	X 46
---	----------------------	------



B	SCREW & METAL LOCK	X 46
---	--------------------	------



C	SCREW	X 8
---	-------	-----



D	SCREW	X 16
---	-------	------



E	HANDLE	X 4
---	--------	-----



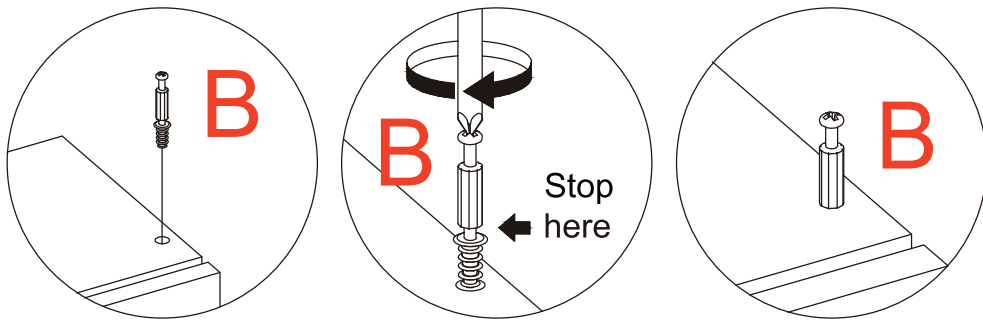
G	L PLATE	X 2
---	---------	-----



J	RAIL	X 2
---	------	-----

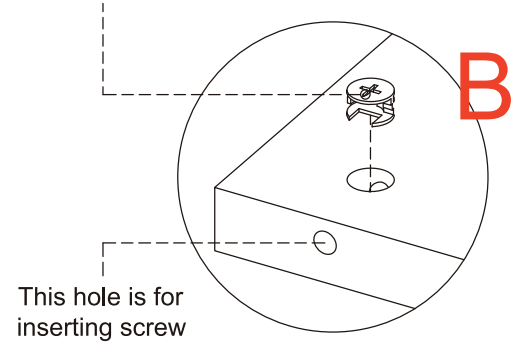
1. Screw installation method

When the screw is installed, please keep it in line with the board, and do not tighten it too tightly

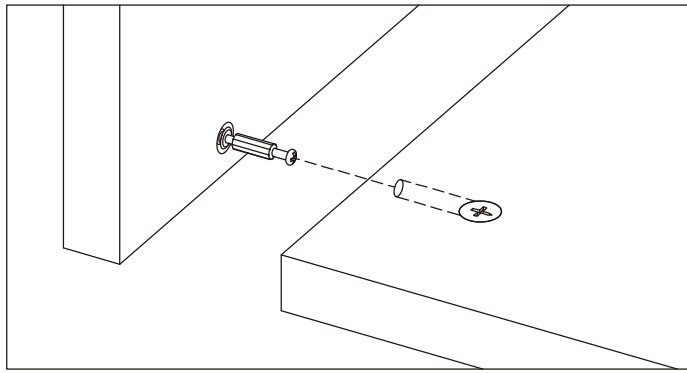


2. Check the Nut direction

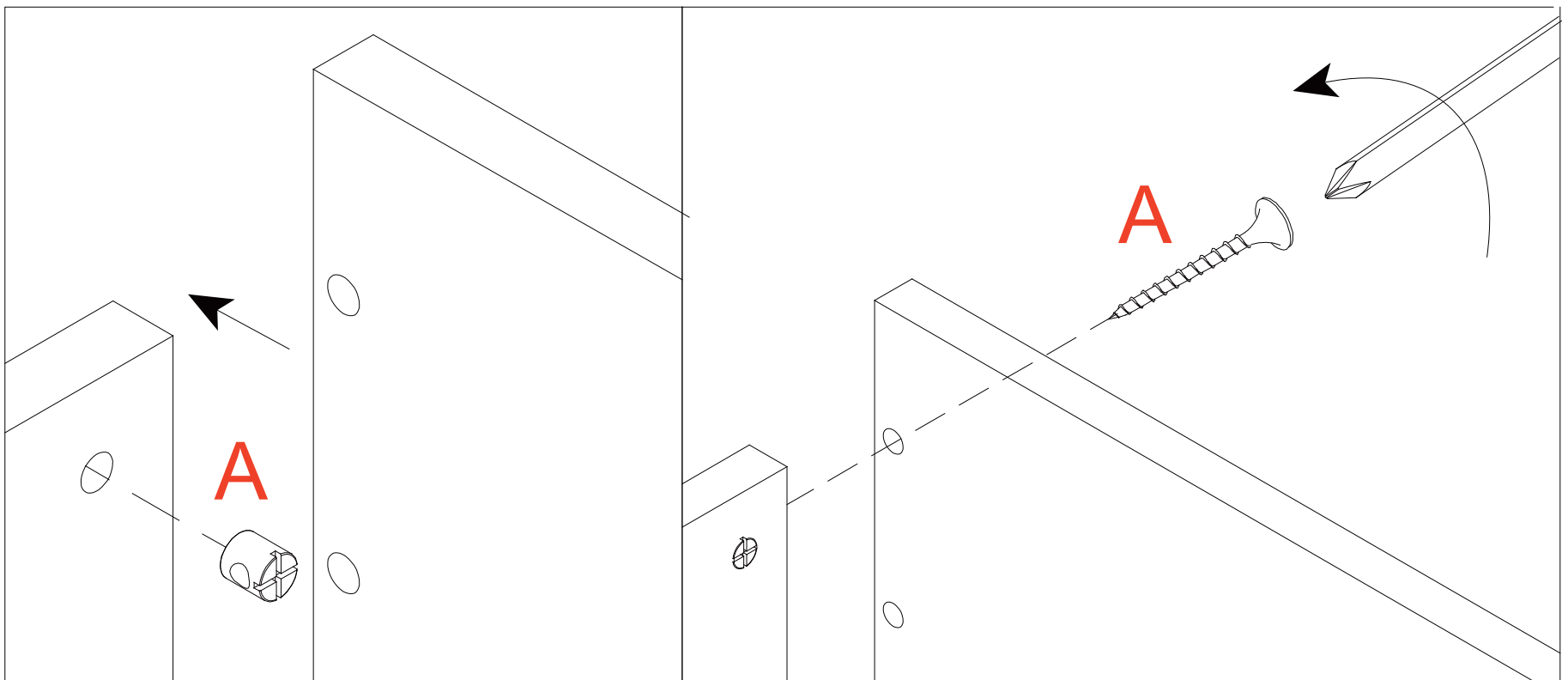
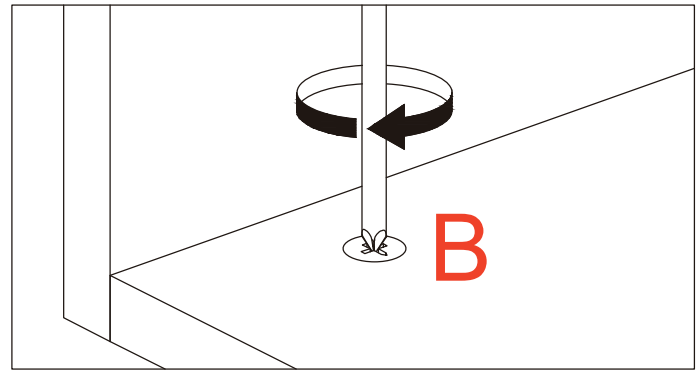
This direction of the marked nut is consistent with the direction in which the screw is inserted



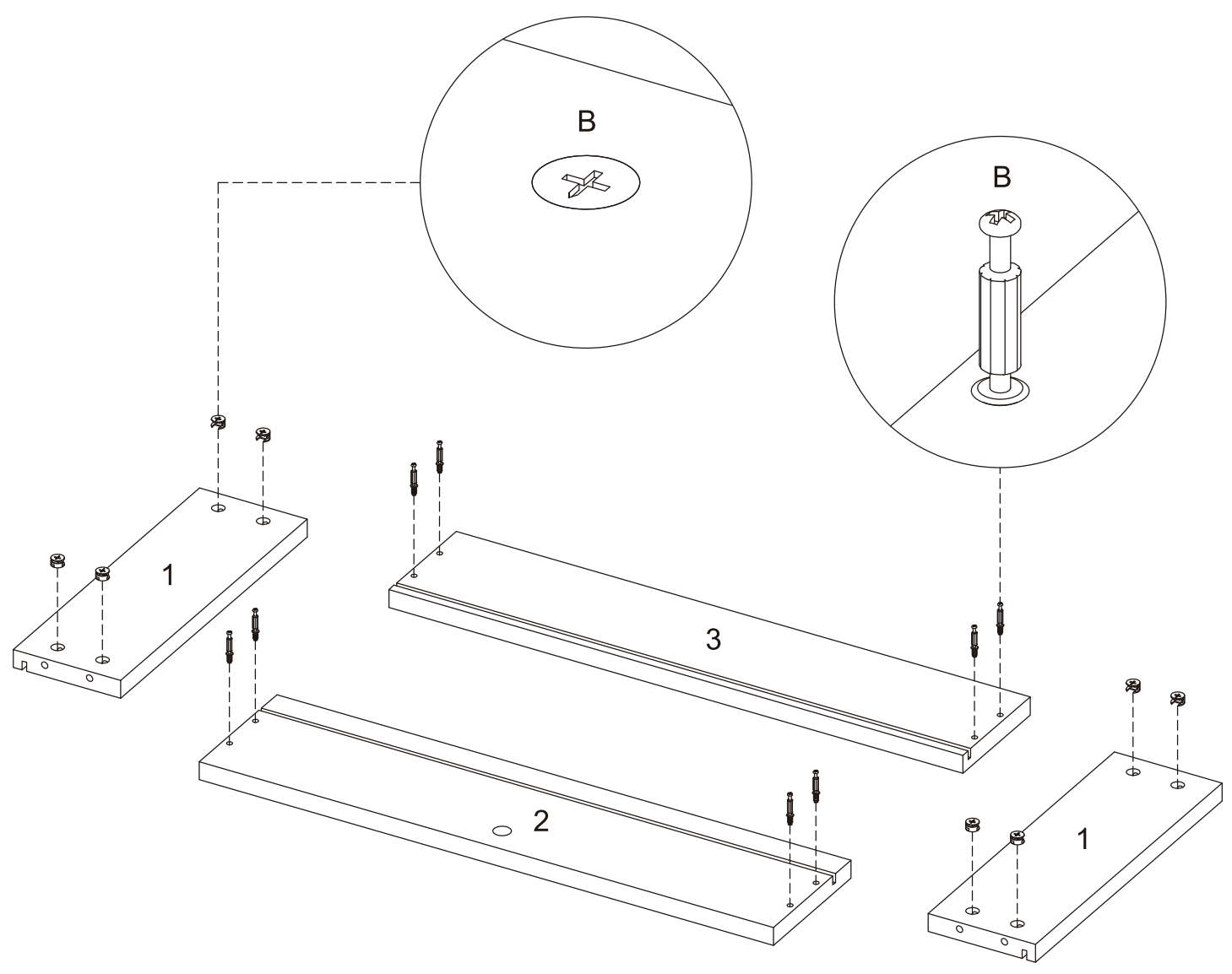
3. Installation on the board with fixing screws



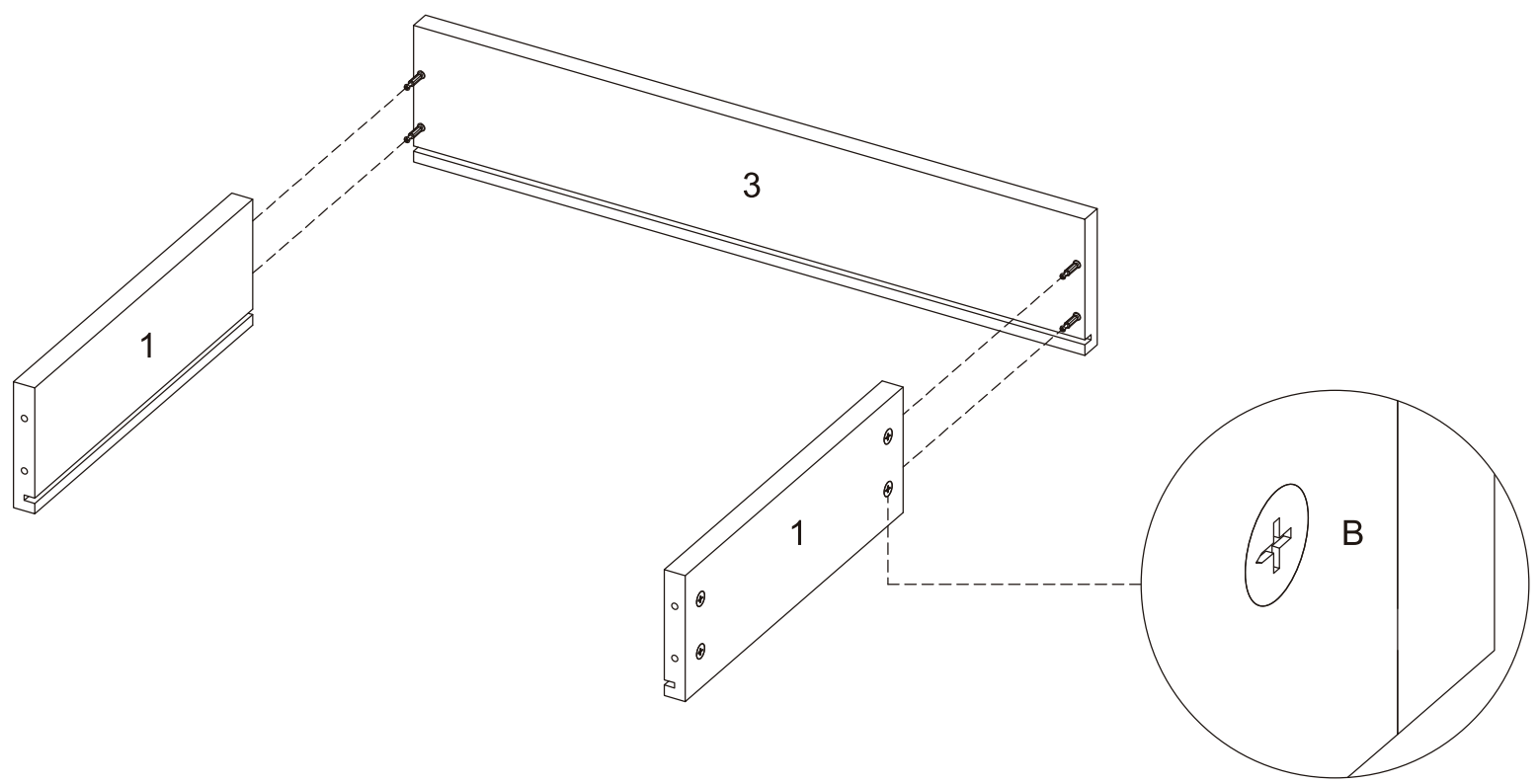
3. Rotate slowly until it stops



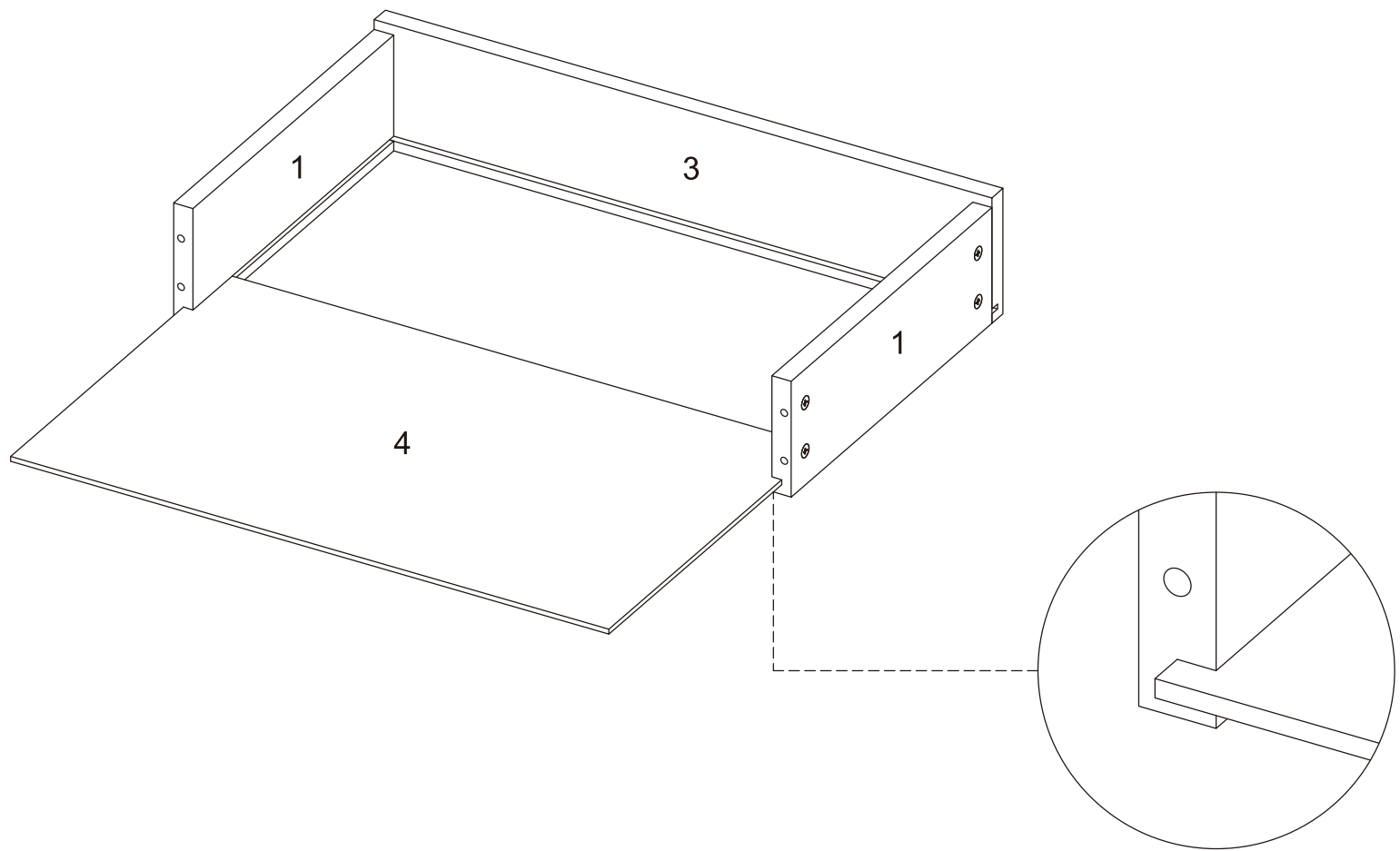
Step 01 pick up ①x2, ②x1, ③x1, ④x1



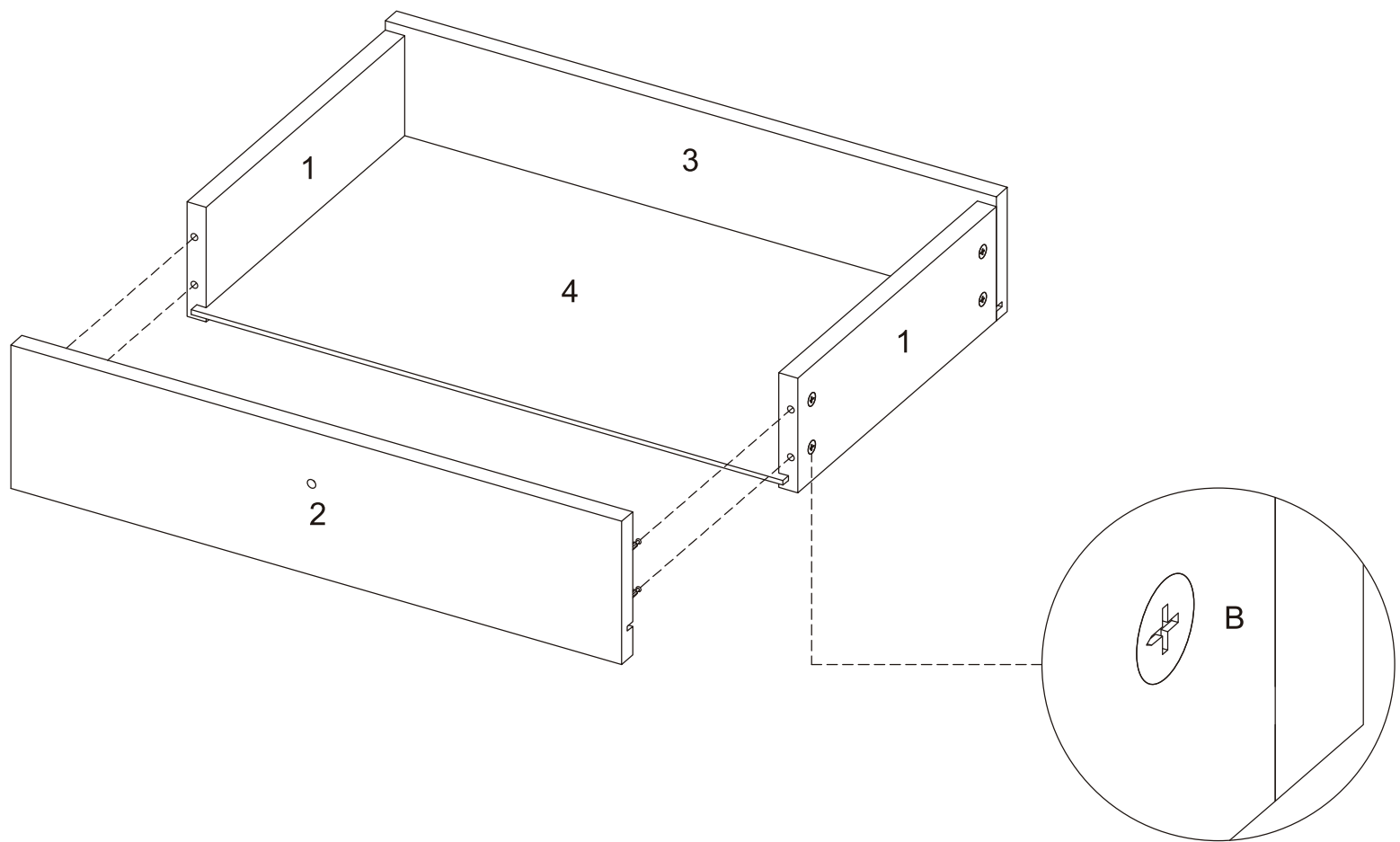
Step 02



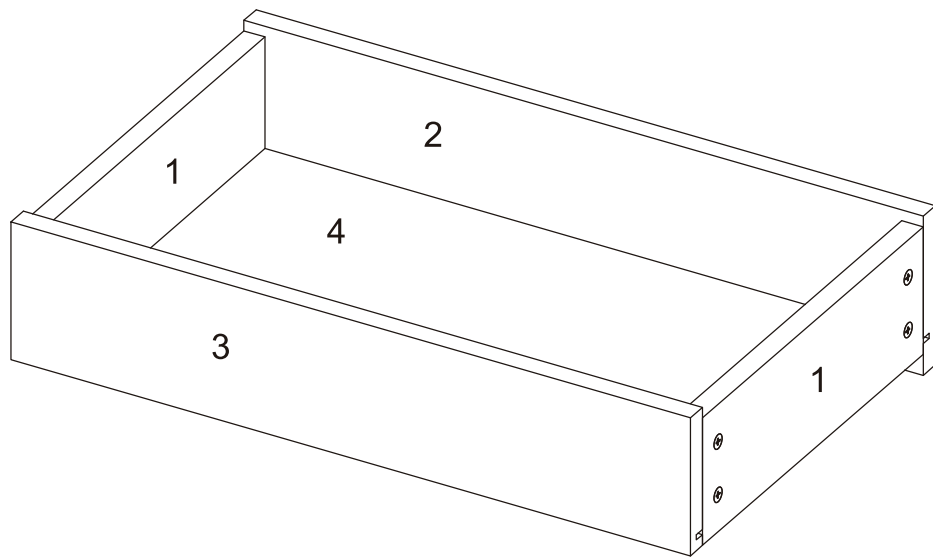
Step 03



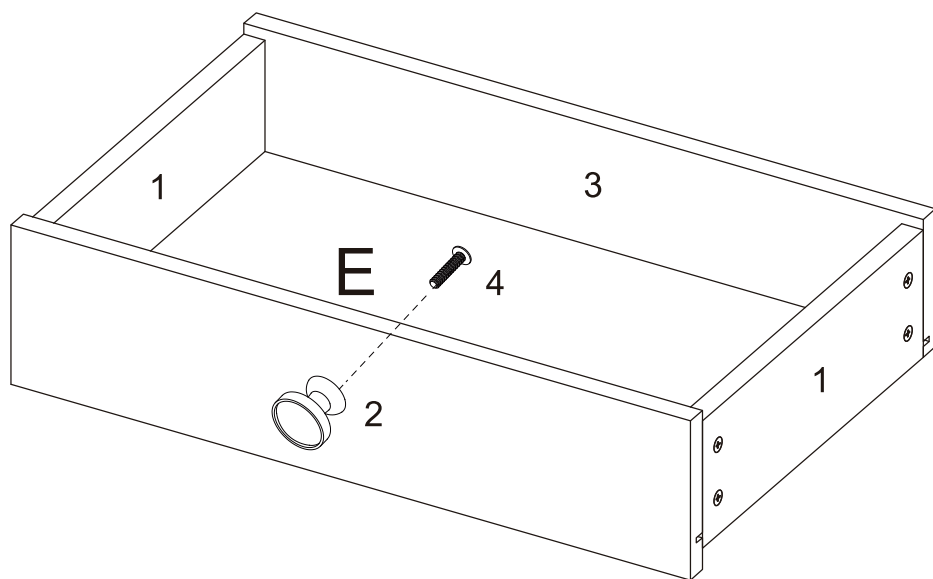
Step 04



Step 05

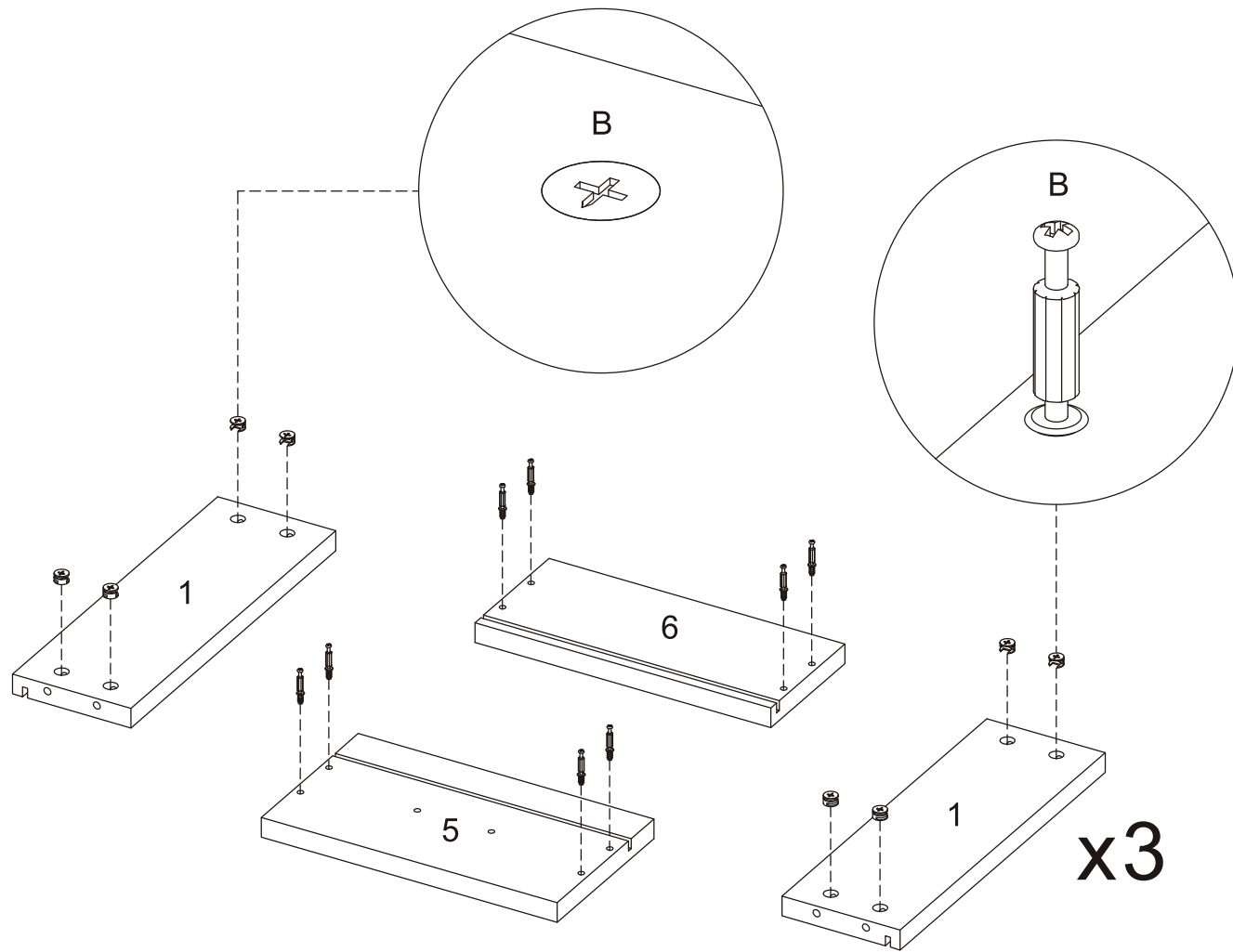


Step 06

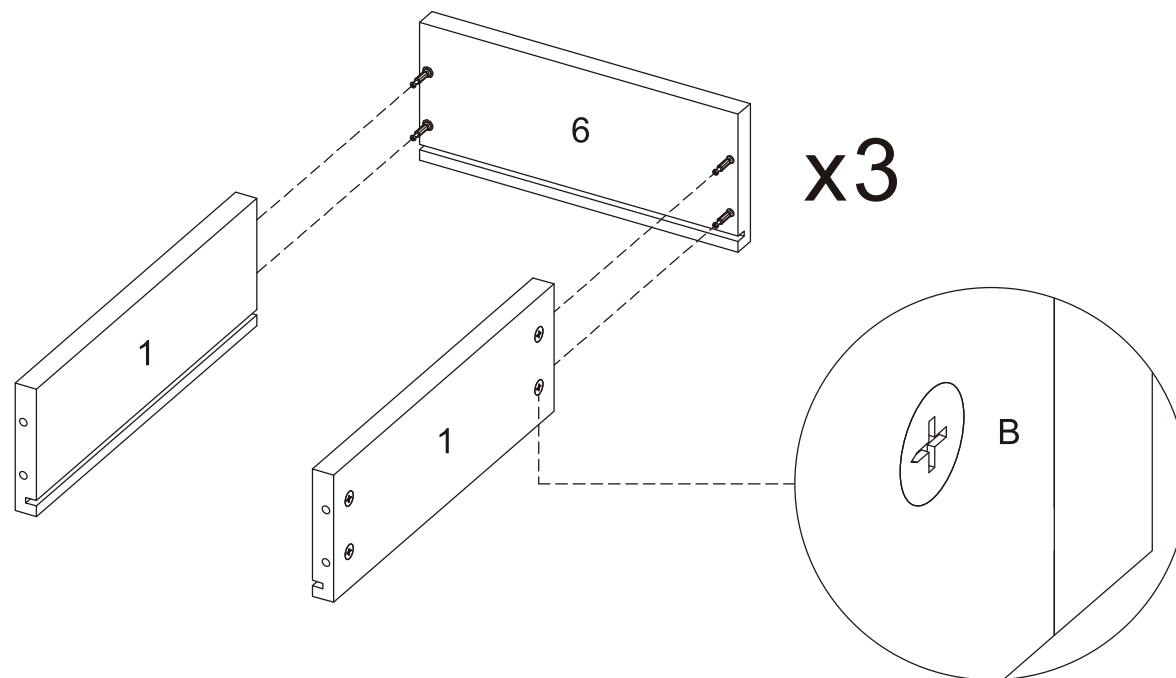


Step 07

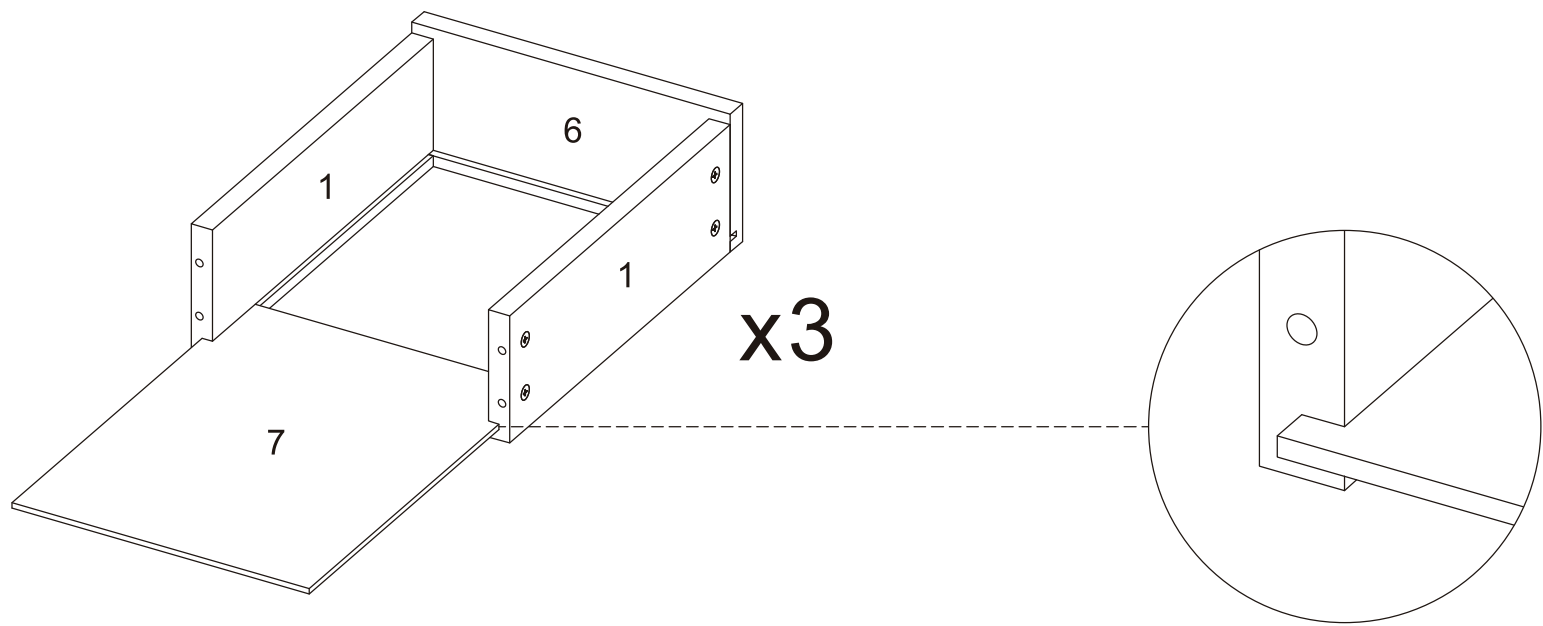
pick up ①x6, ⑤x3, ⑥x3, ⑦x3



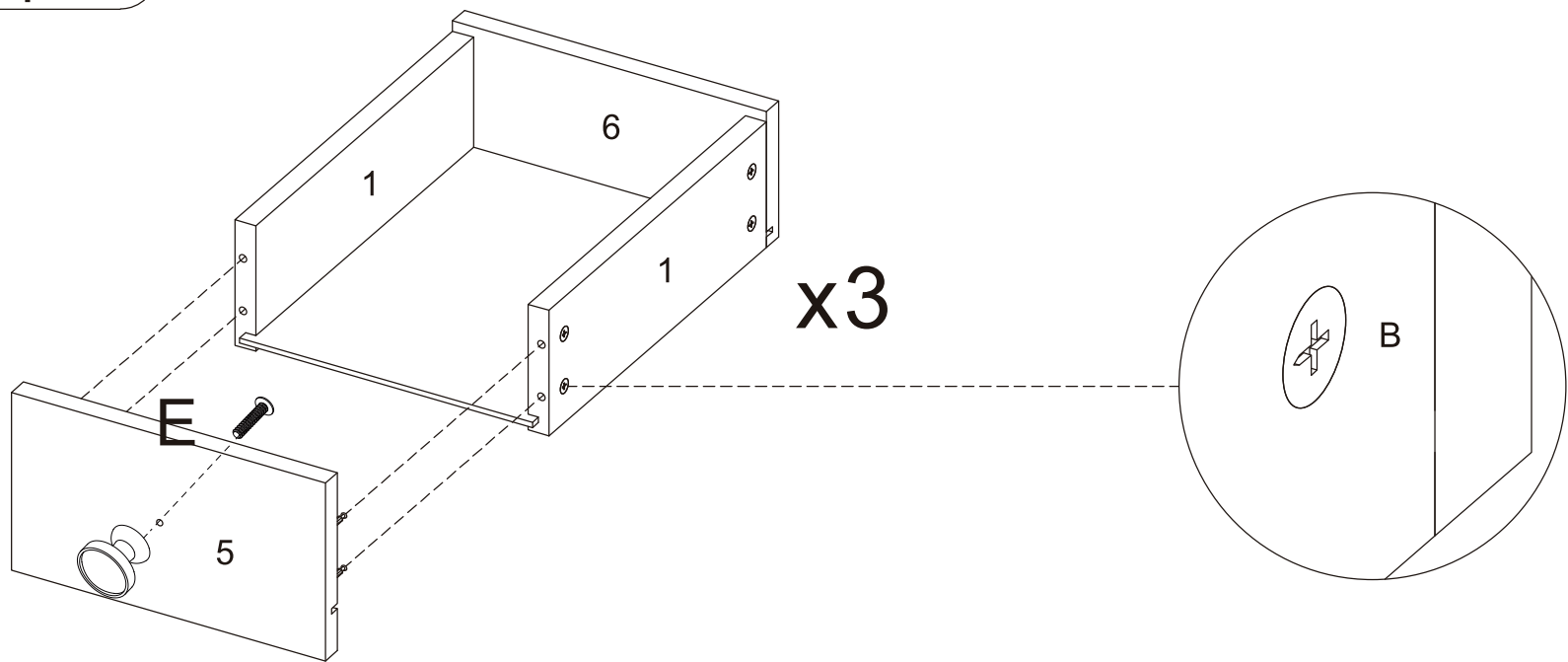
Step 08



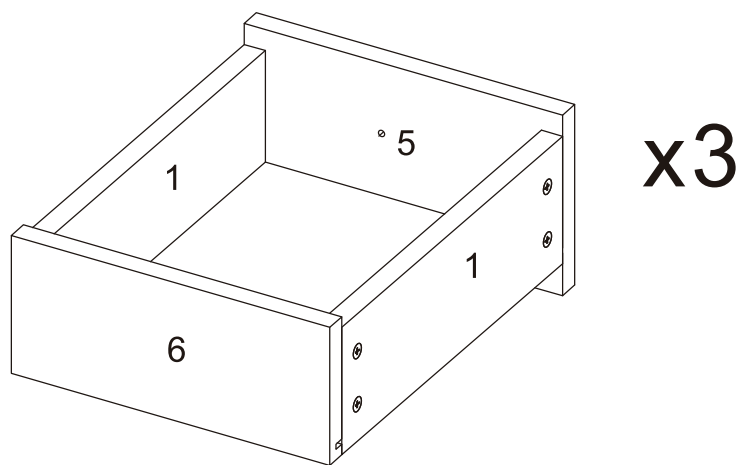
Step 09



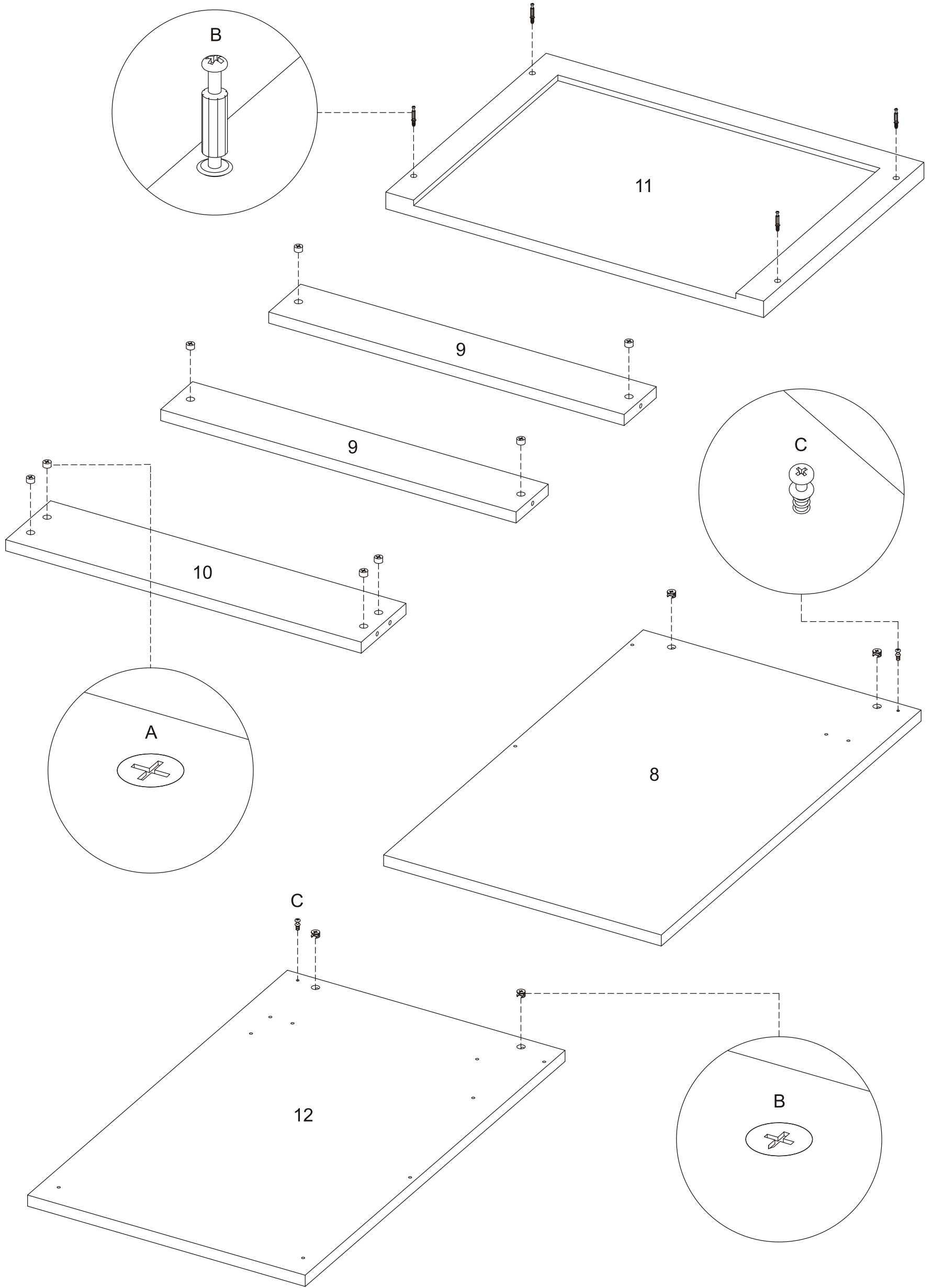
Step 10



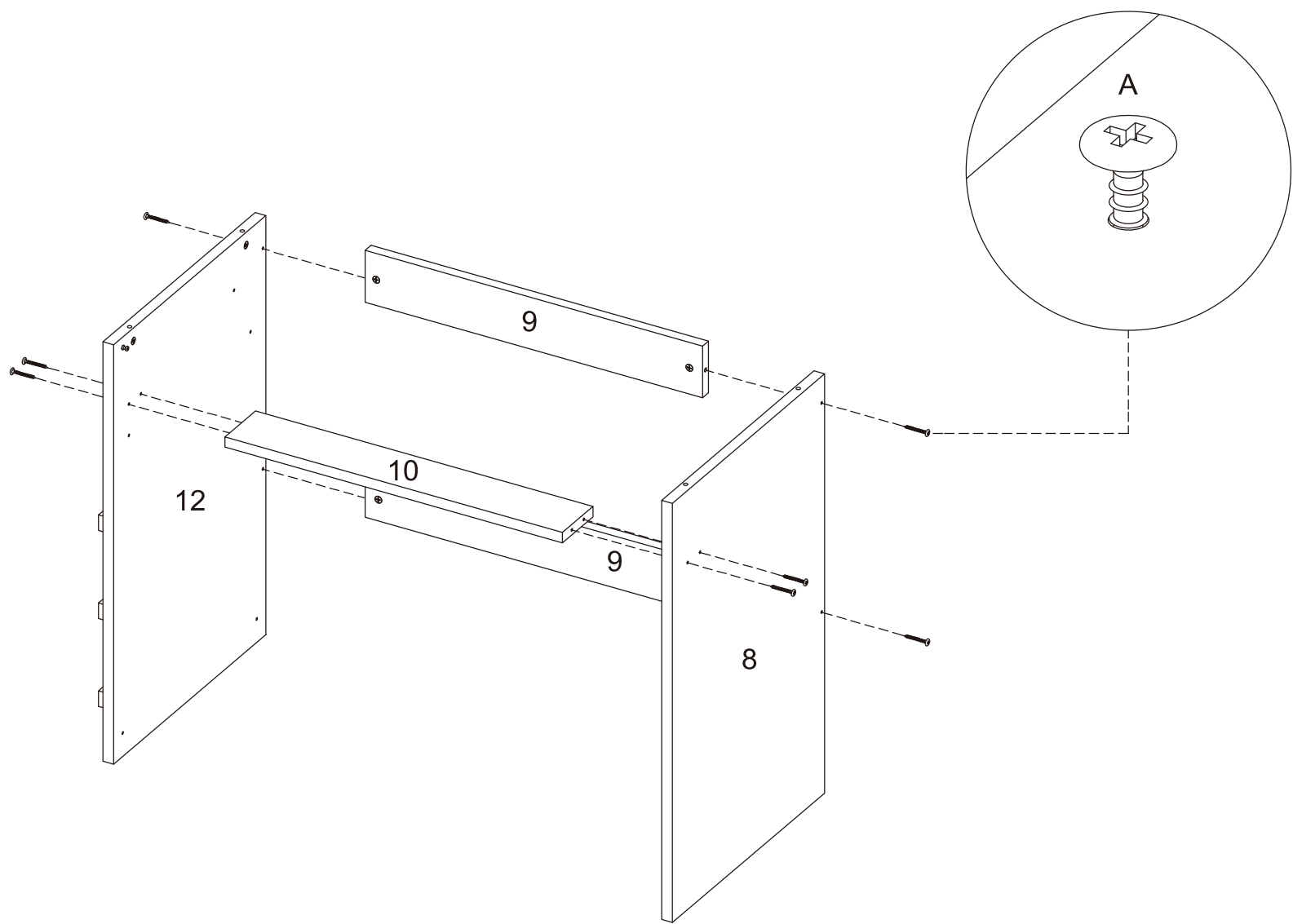
Step 11



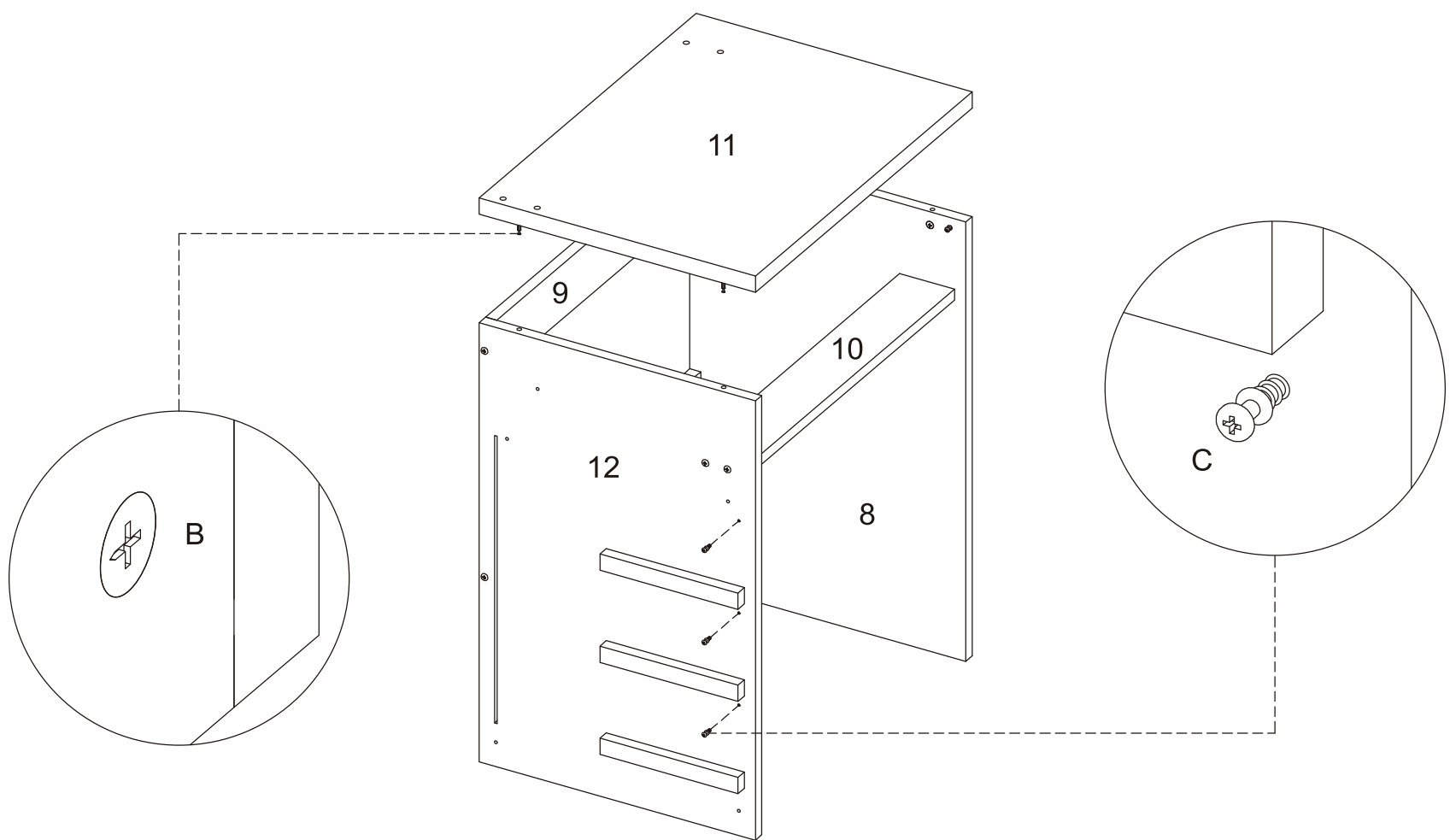
Step 12 pick up ⑧ x1, ⑨ x2, ⑩ x1, ⑫ x1, ⑪ x1



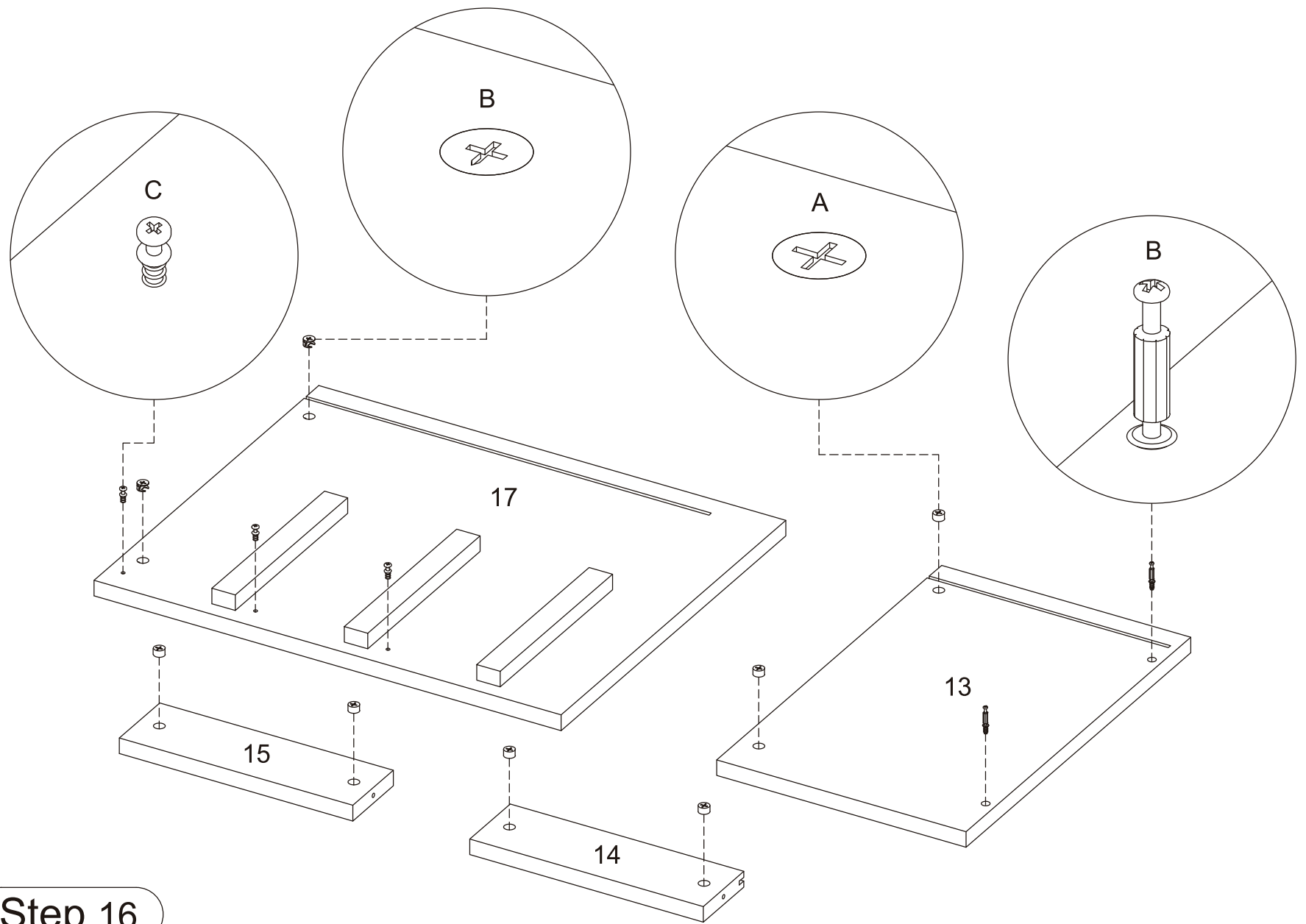
Step 13



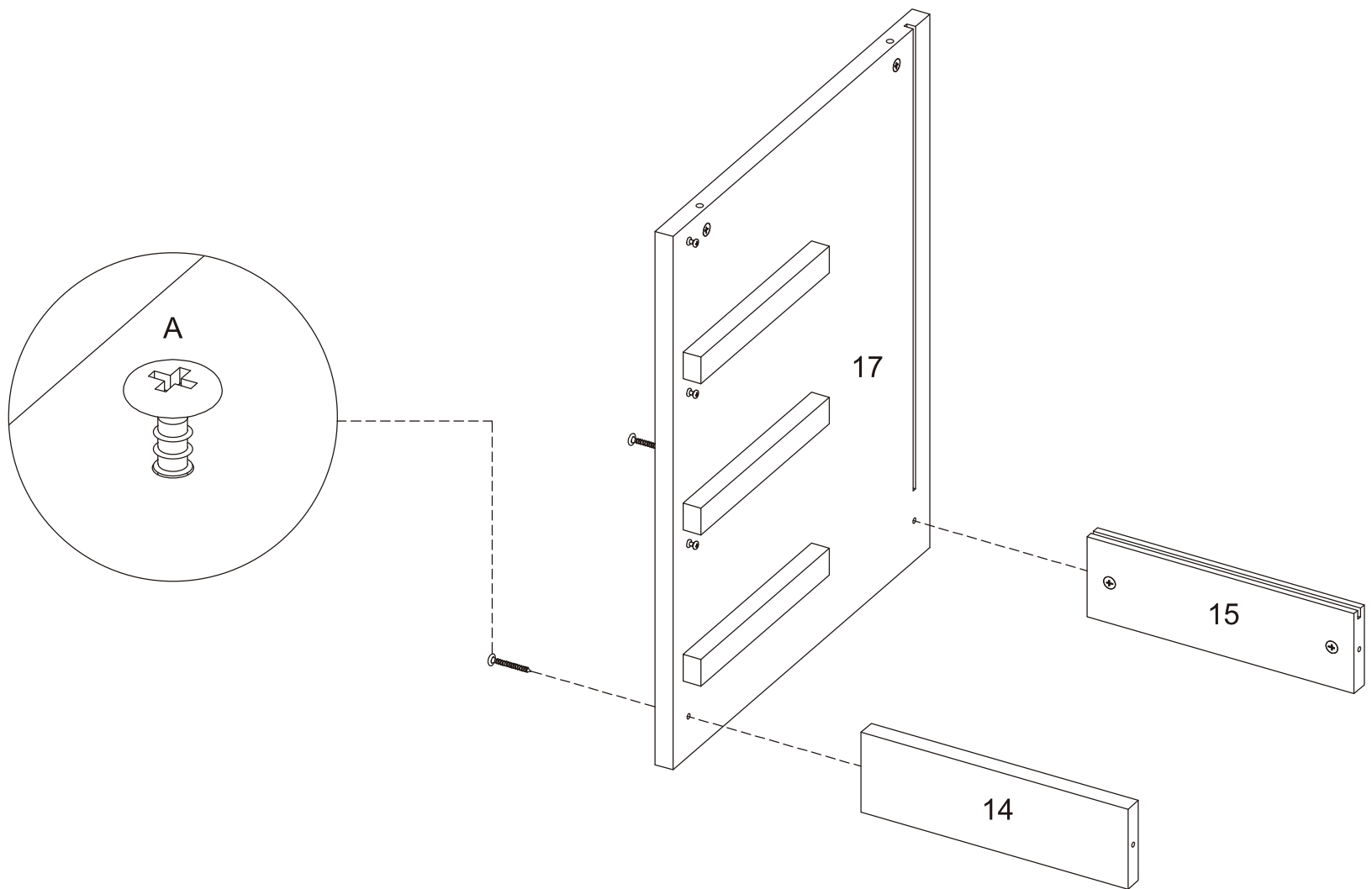
Step 14



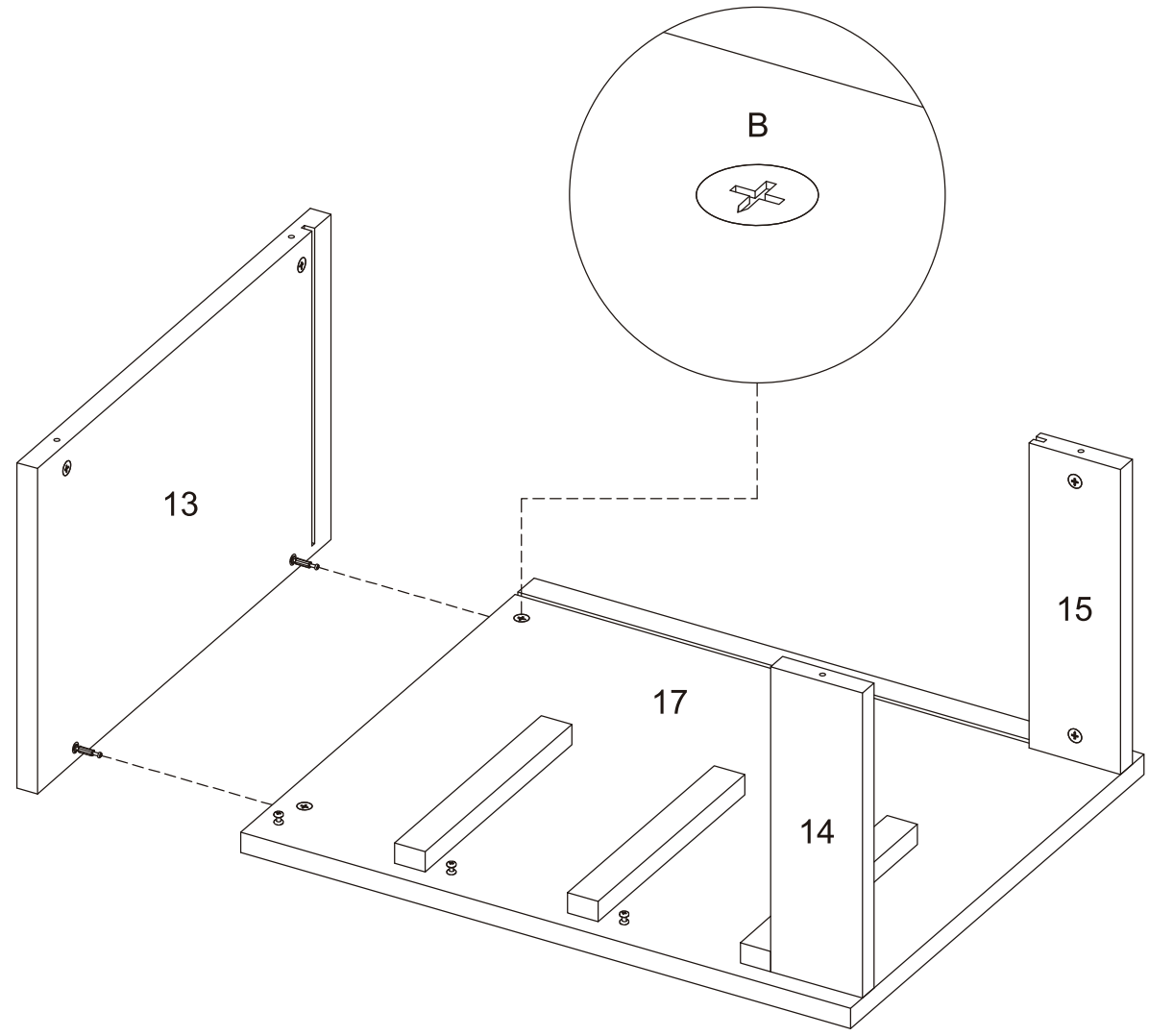
Step 15 pick up (13) x1, (14) x1, (15) x1, (16) x1, (17) x1



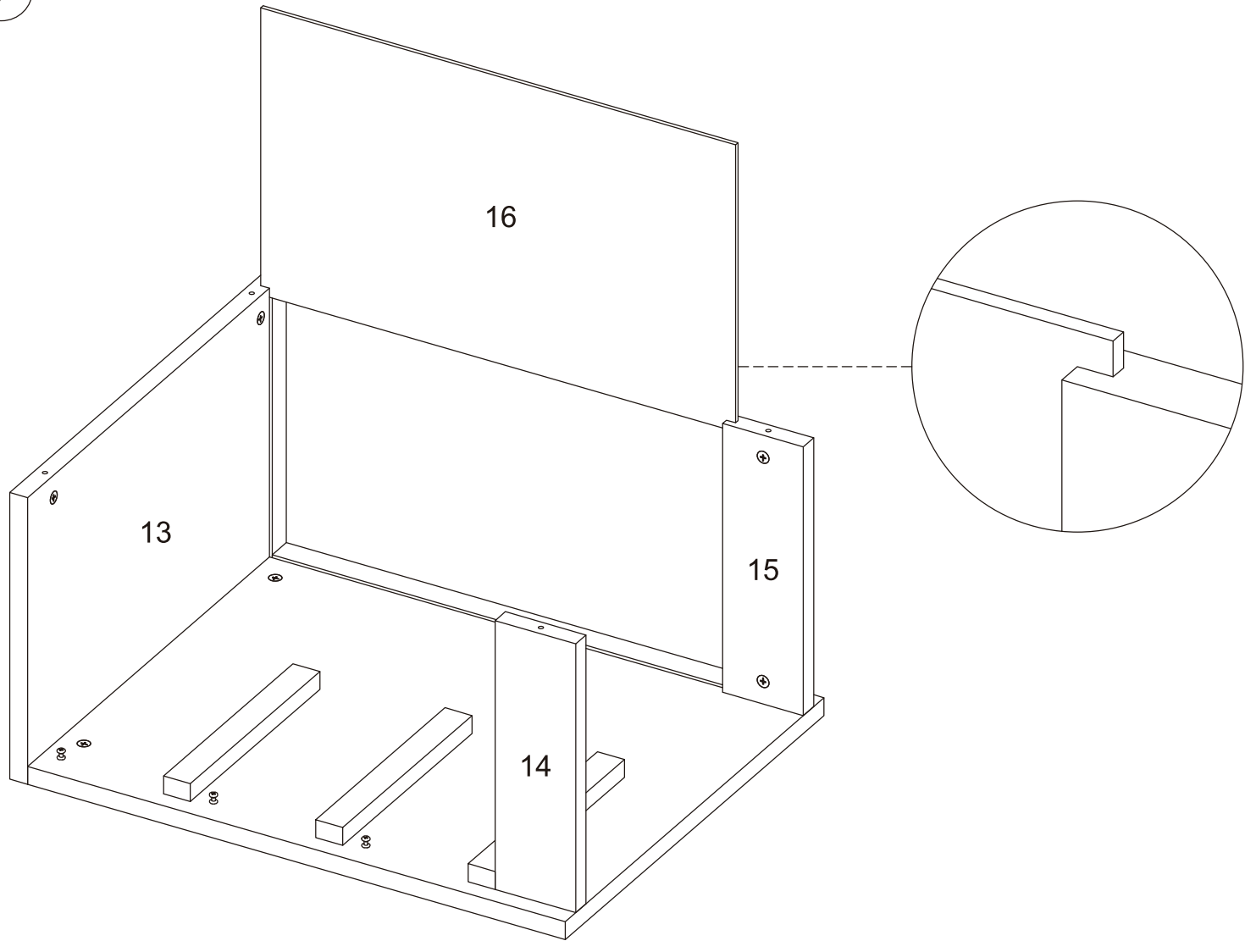
Step 16



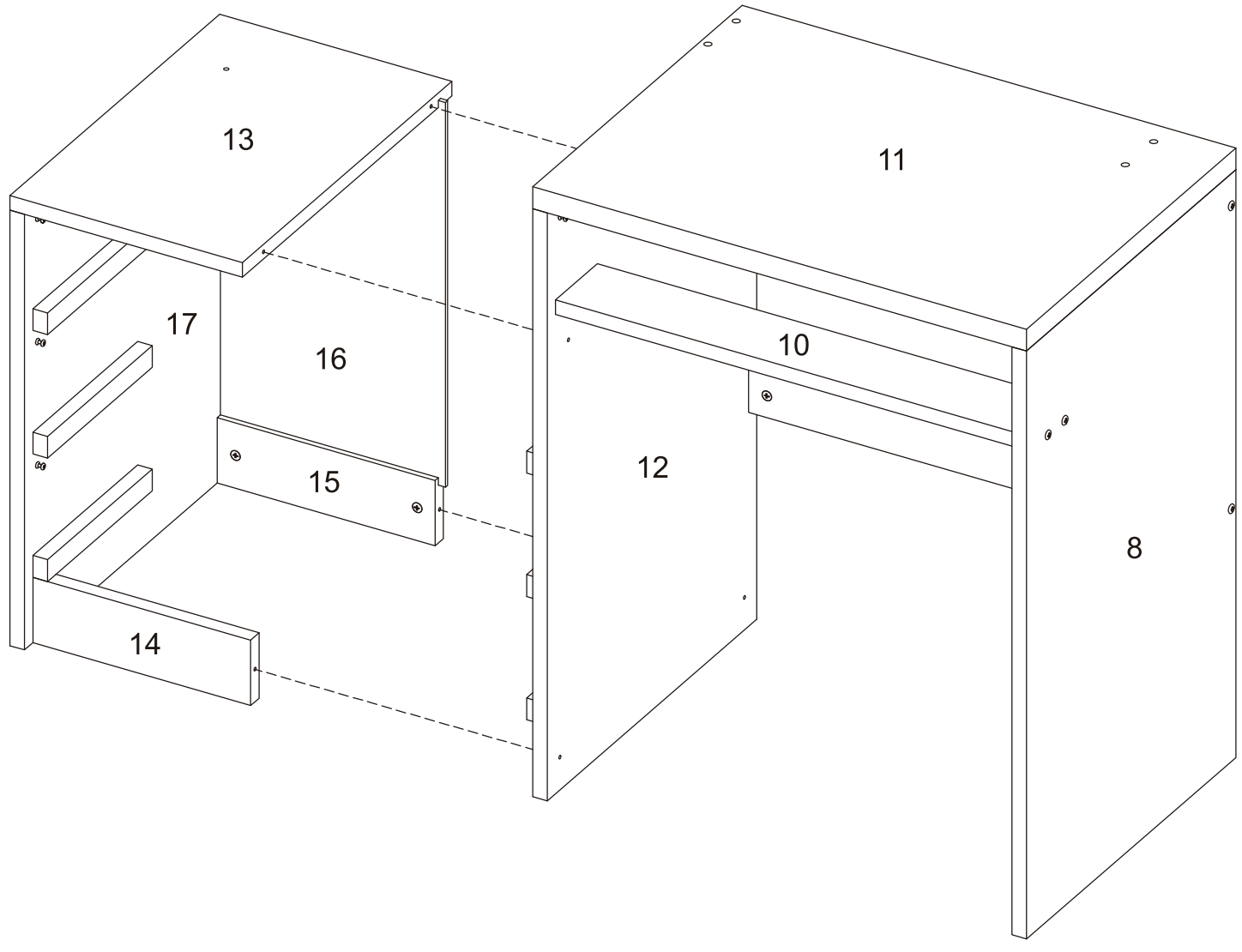
Step 17



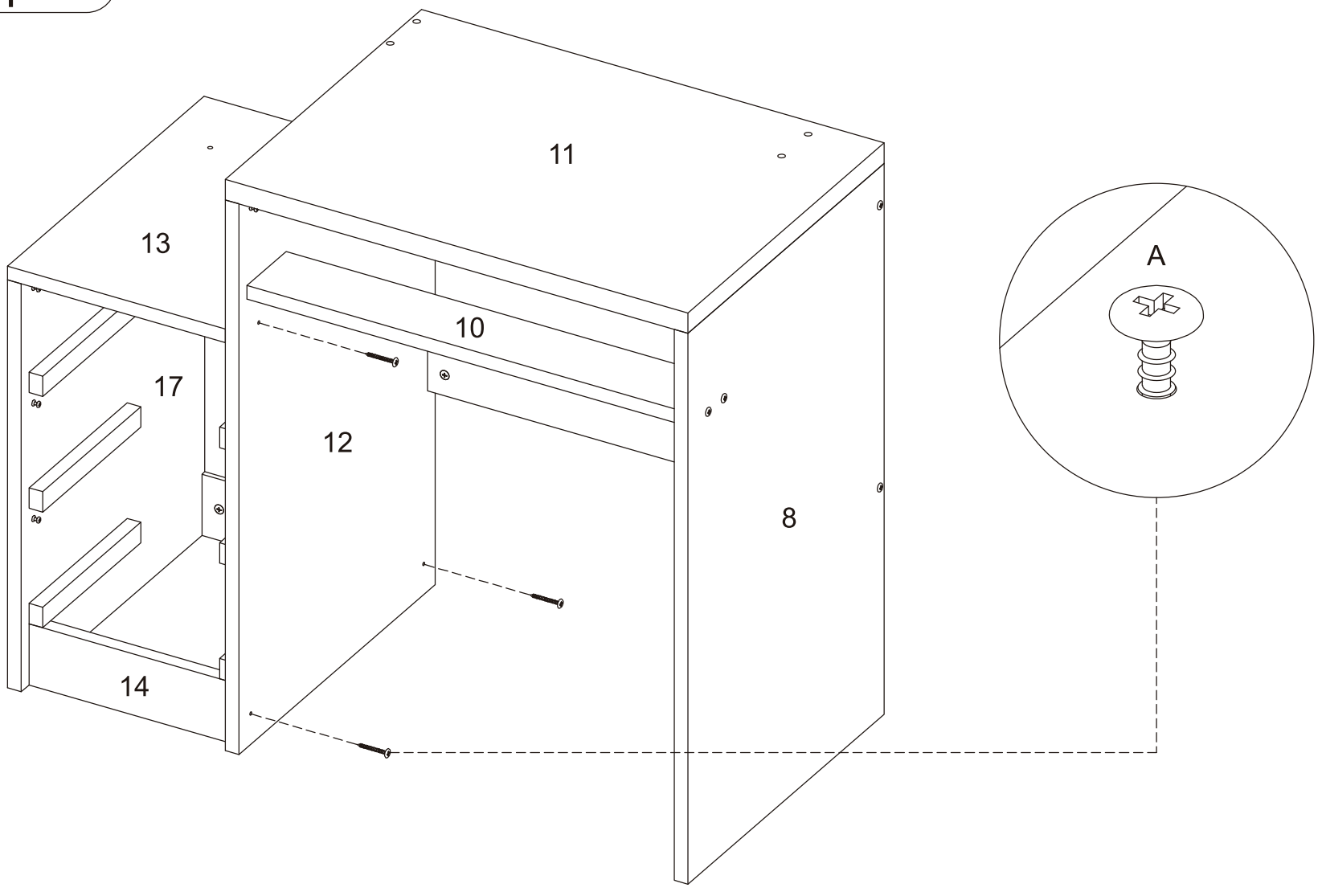
Step 18



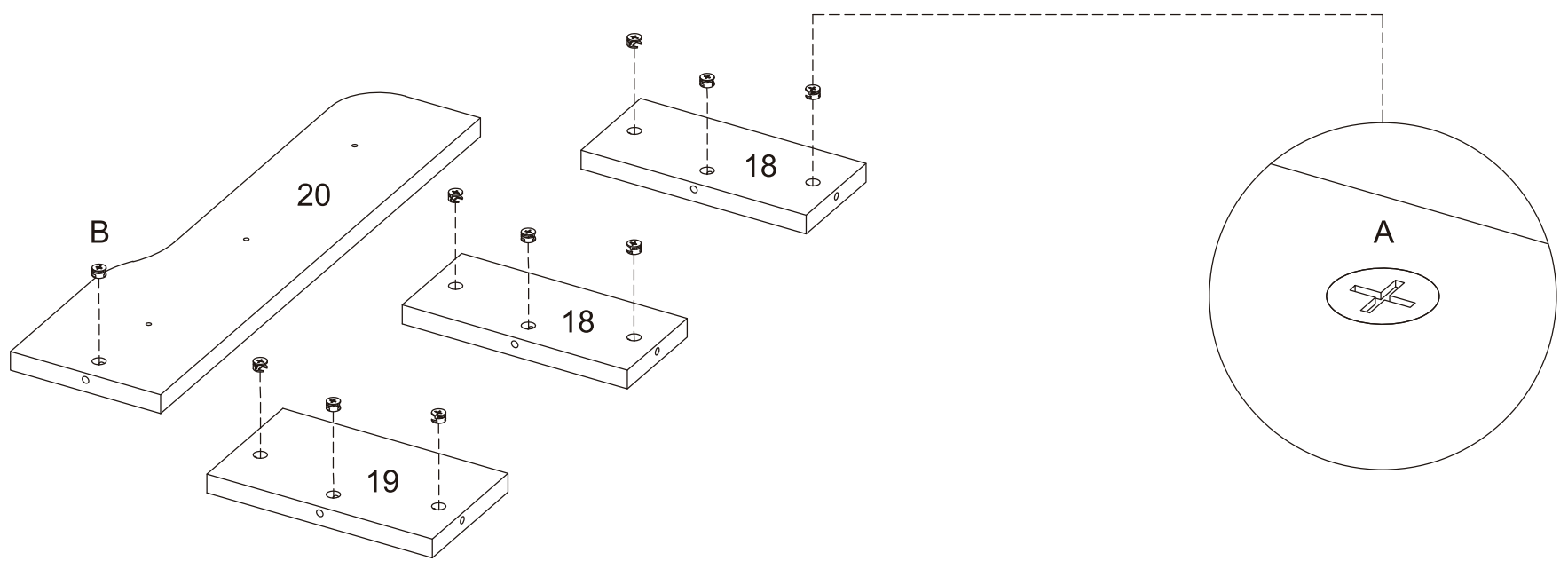
Step 19



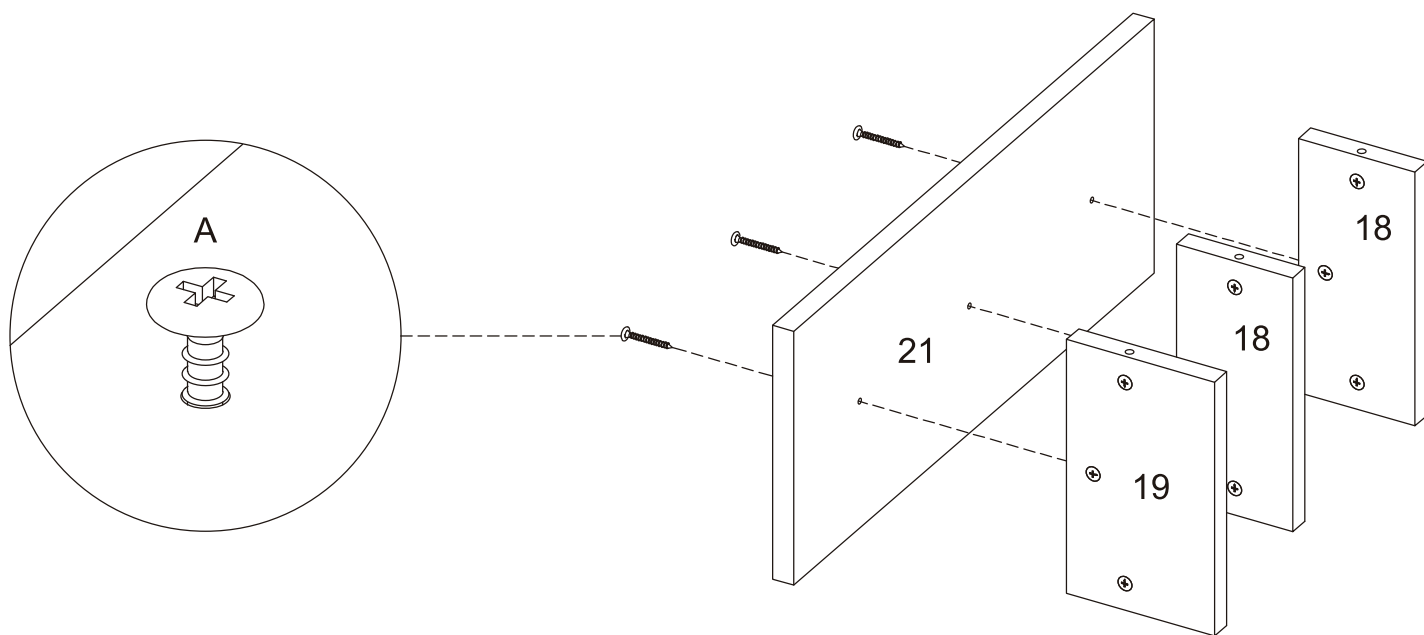
Step 20



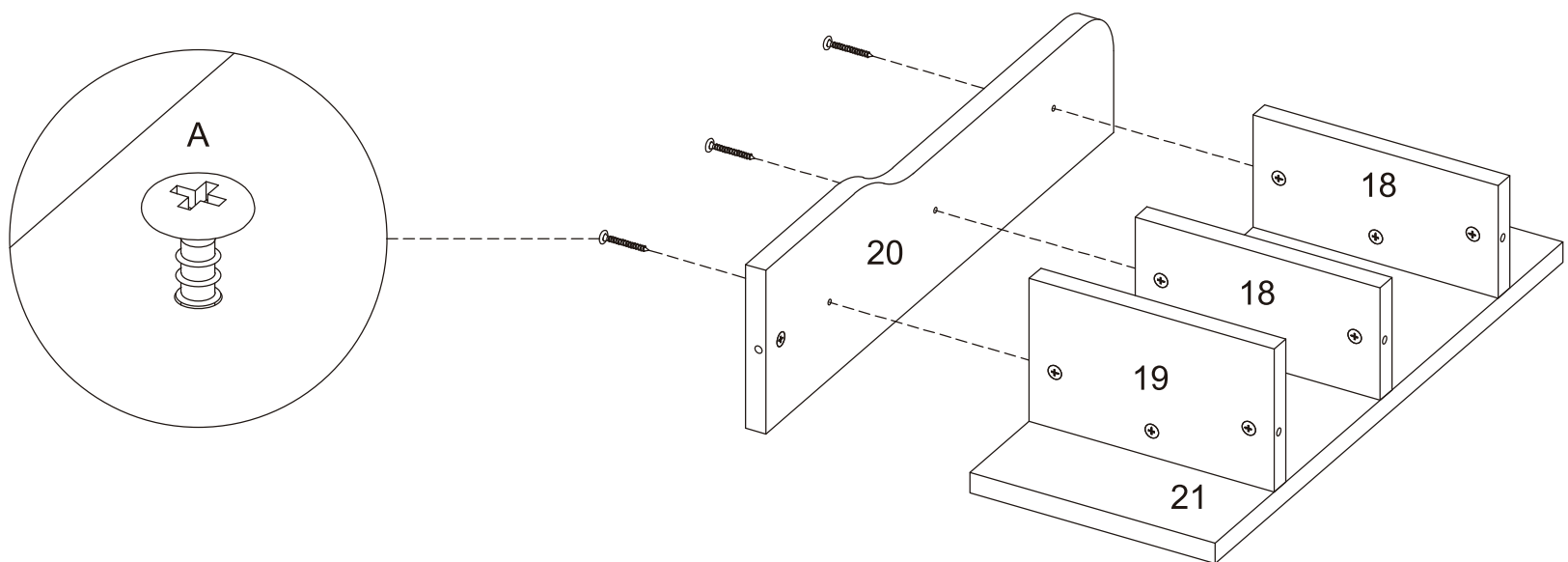
Step 21 pick up (18) x2, (19) x1, (20) x1, (21) x1



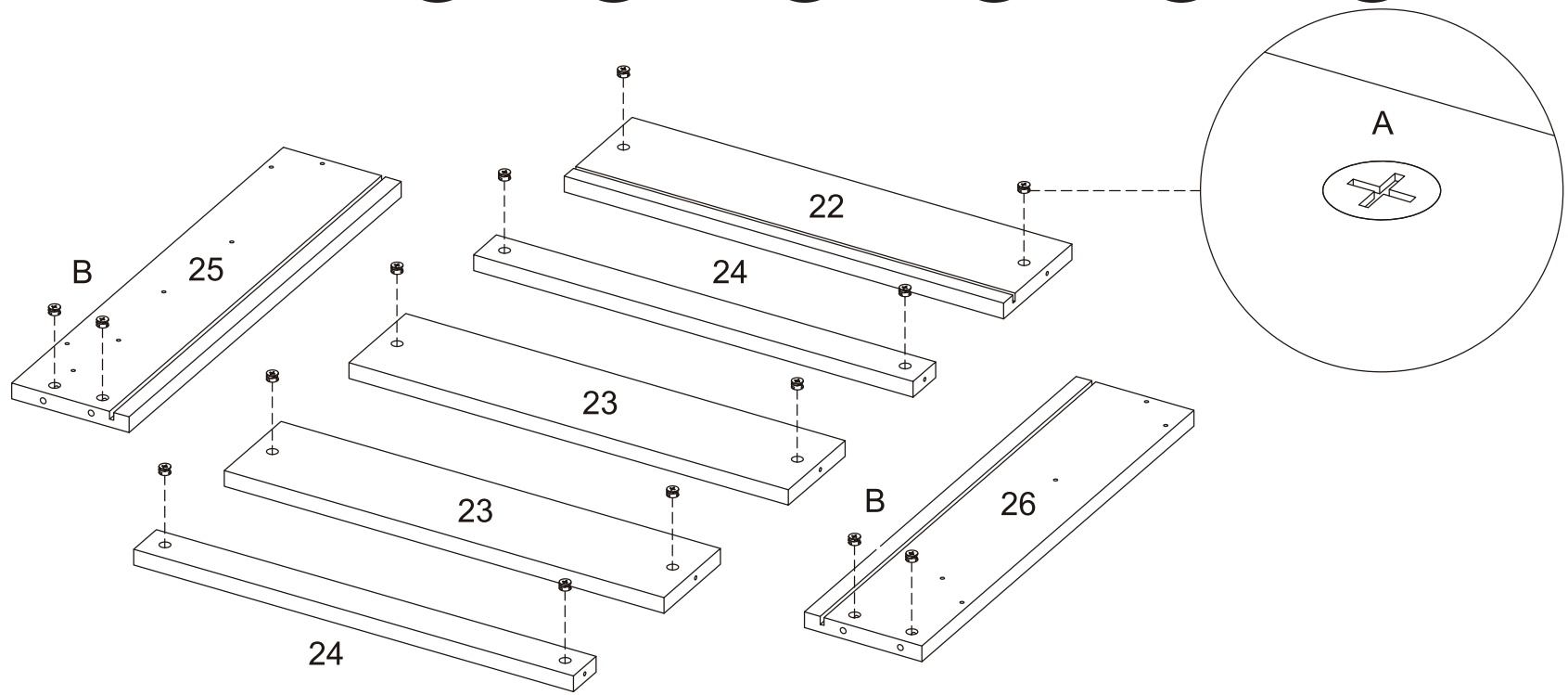
Step 22



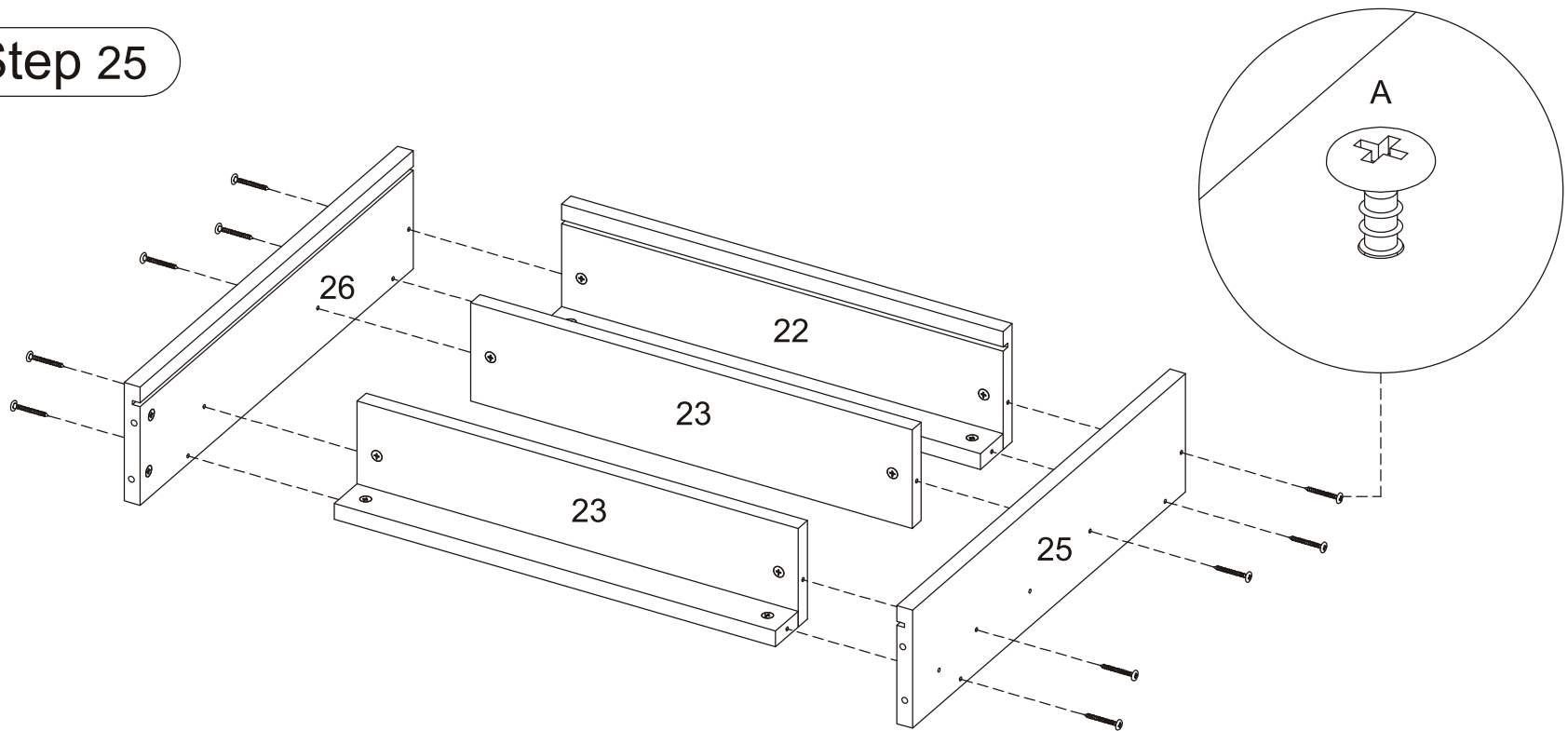
Step 23



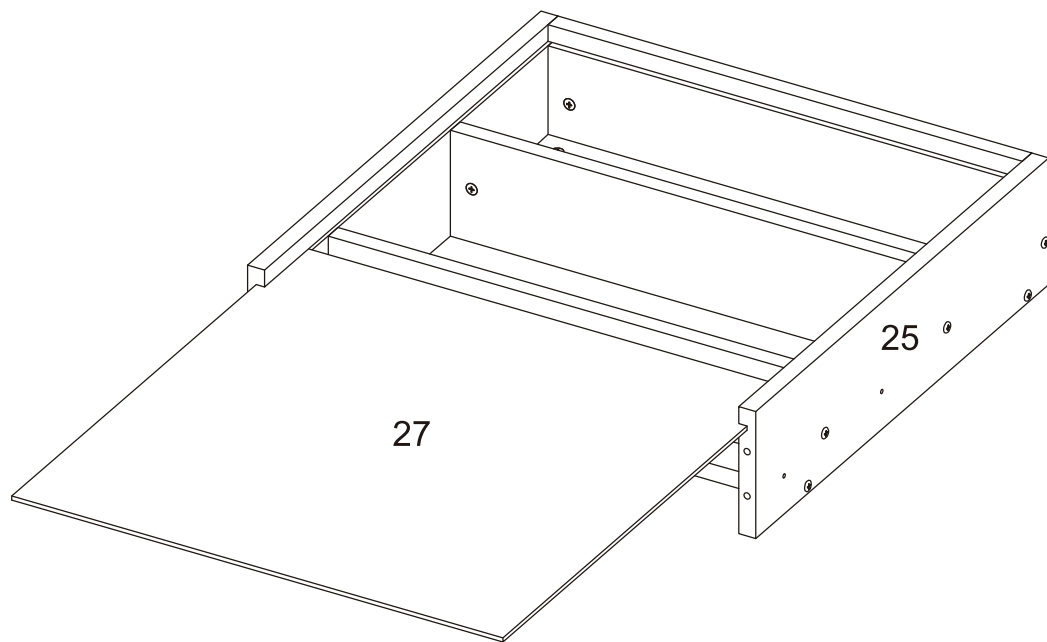
Step 24 pick up (22) x1, (23) x2, (24) x2, (25) x1, (26) x1, (27) x1



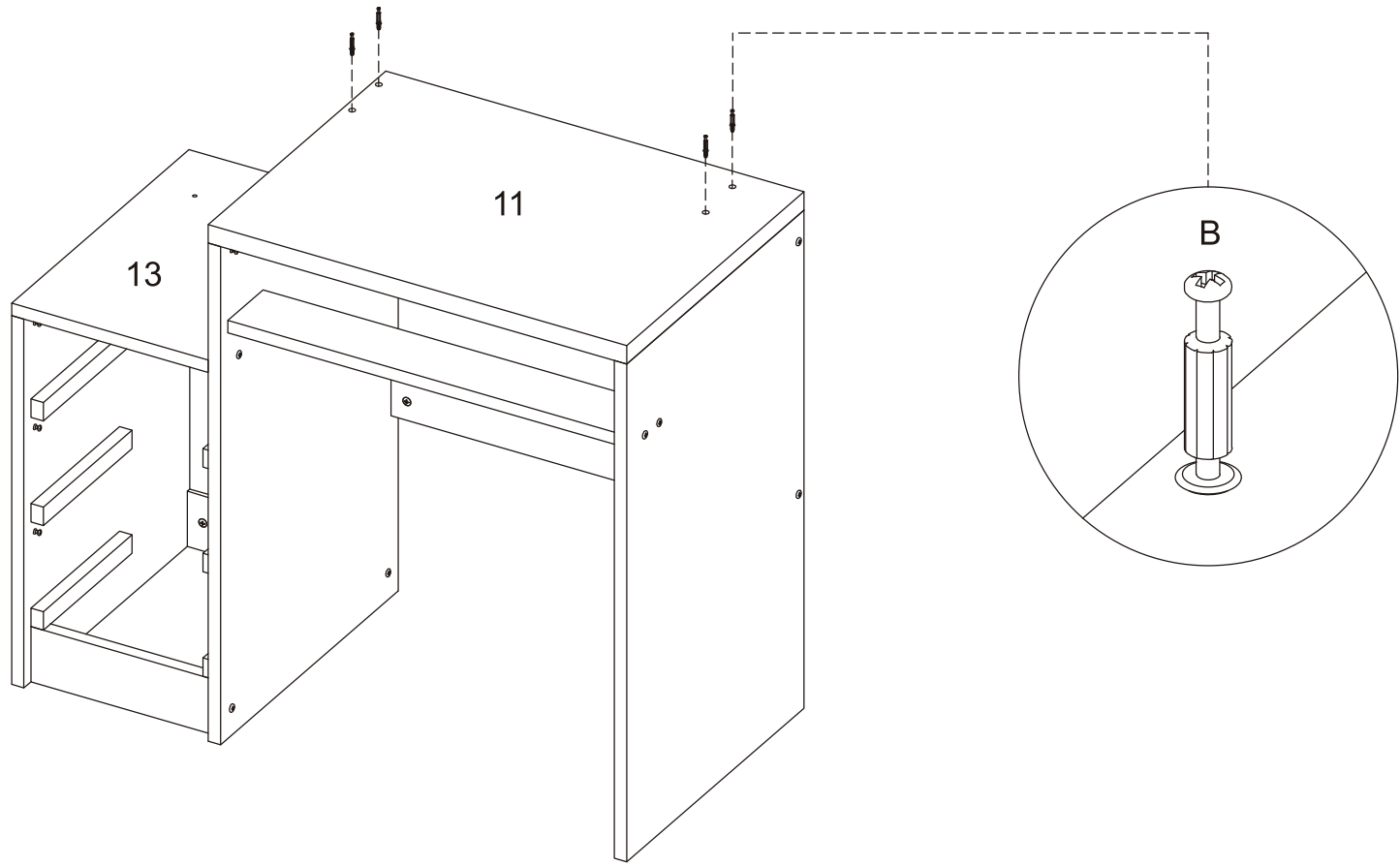
Step 25



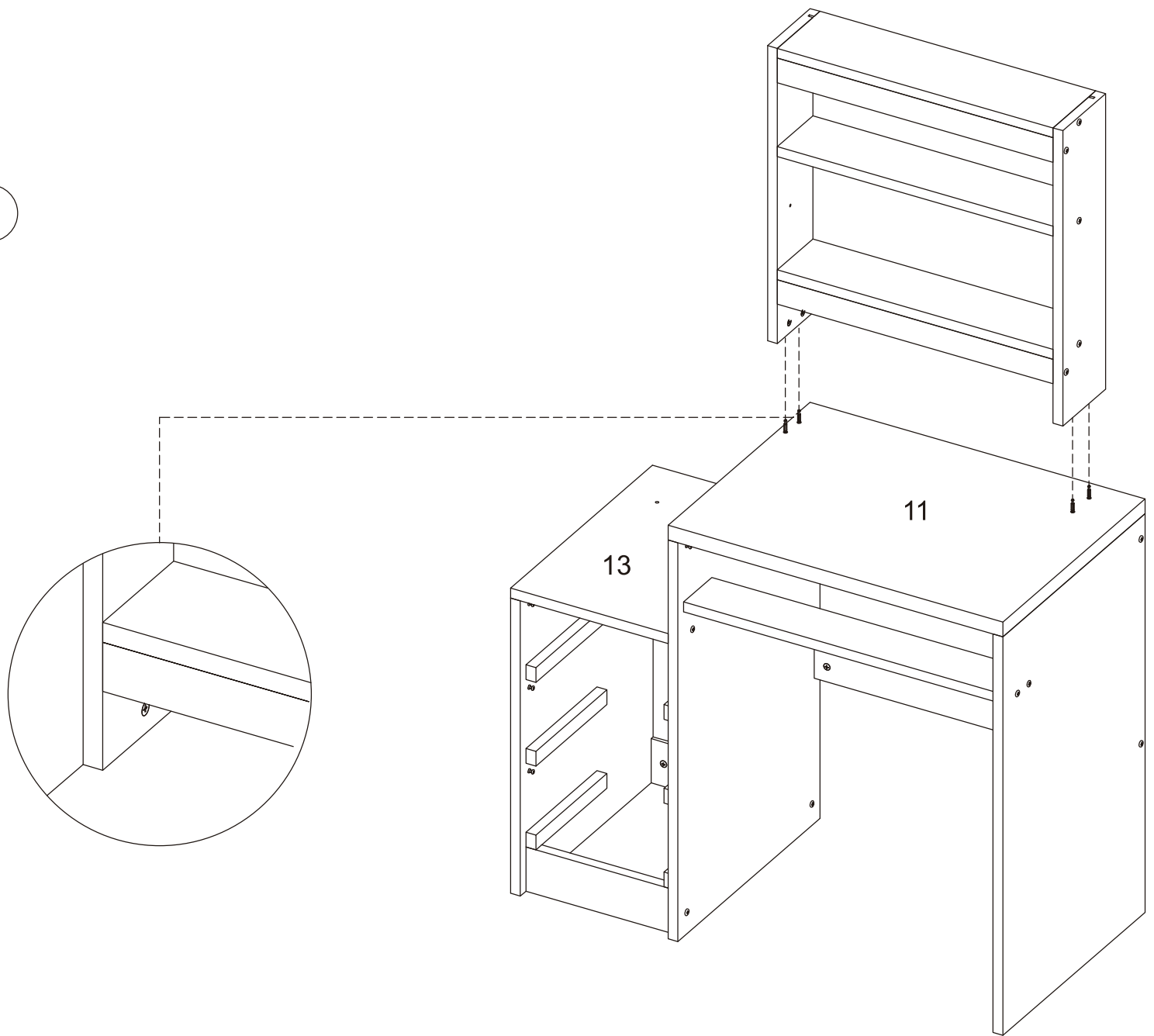
Step 26



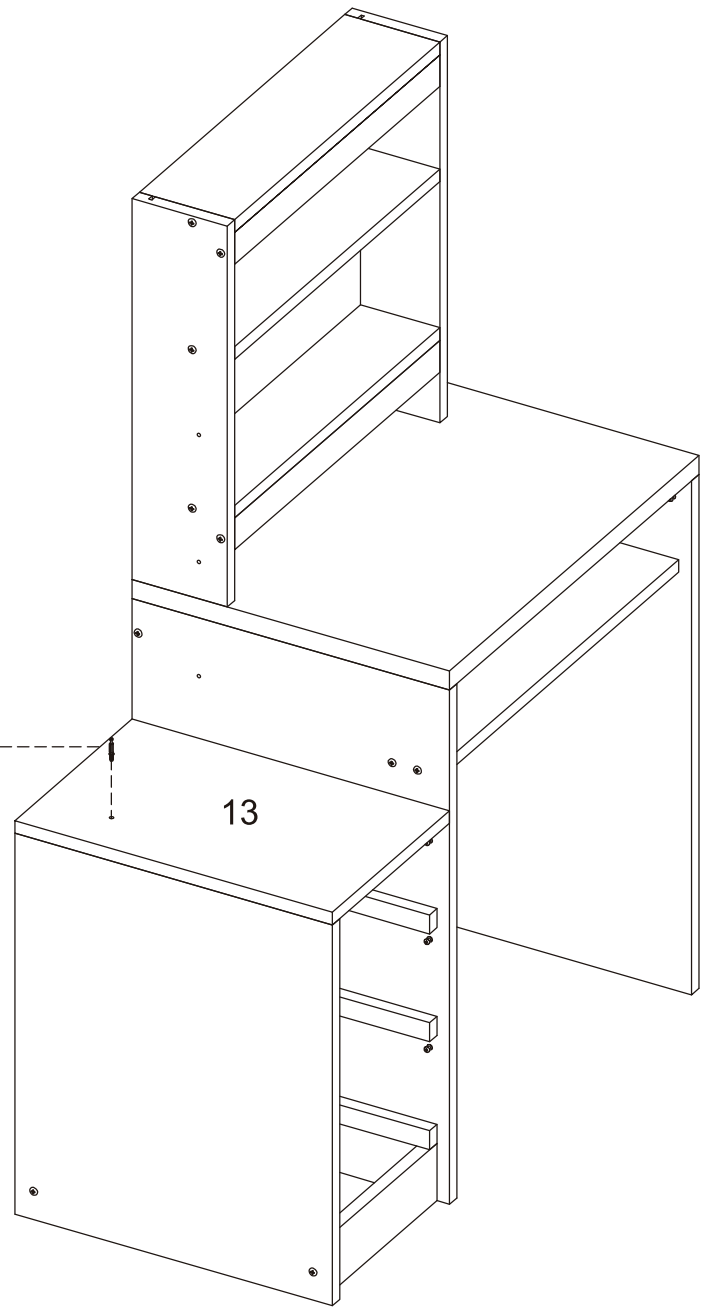
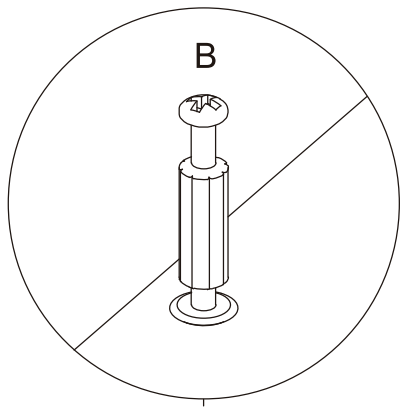
Step 27



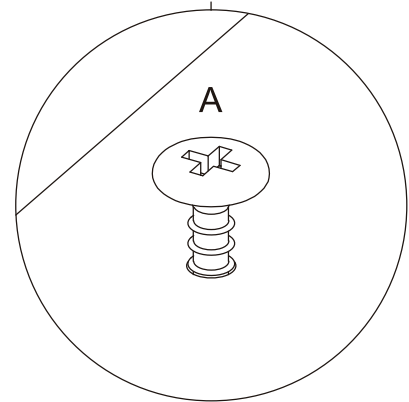
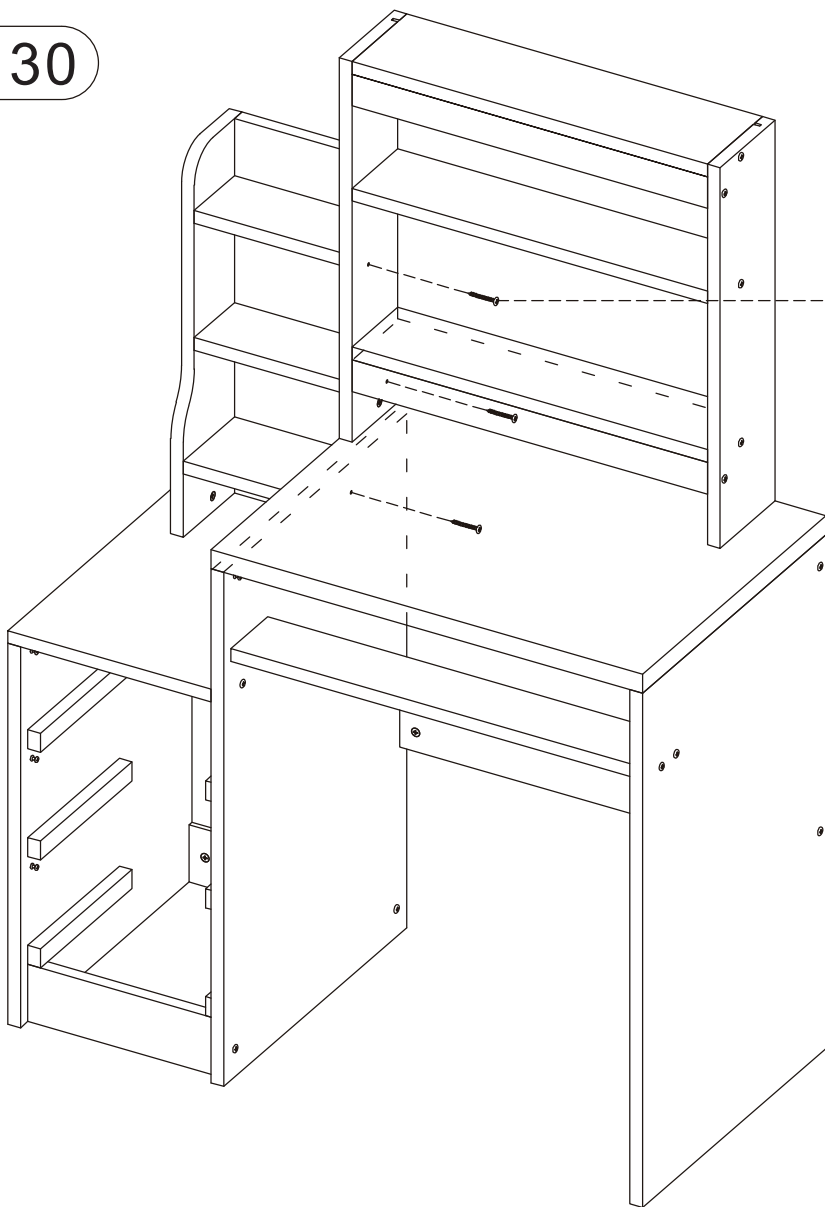
Step 28



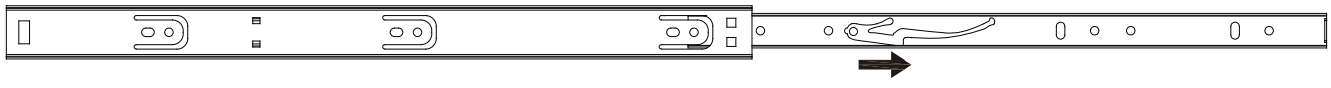
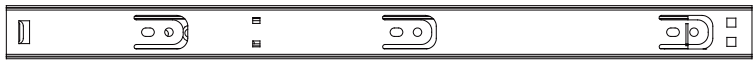
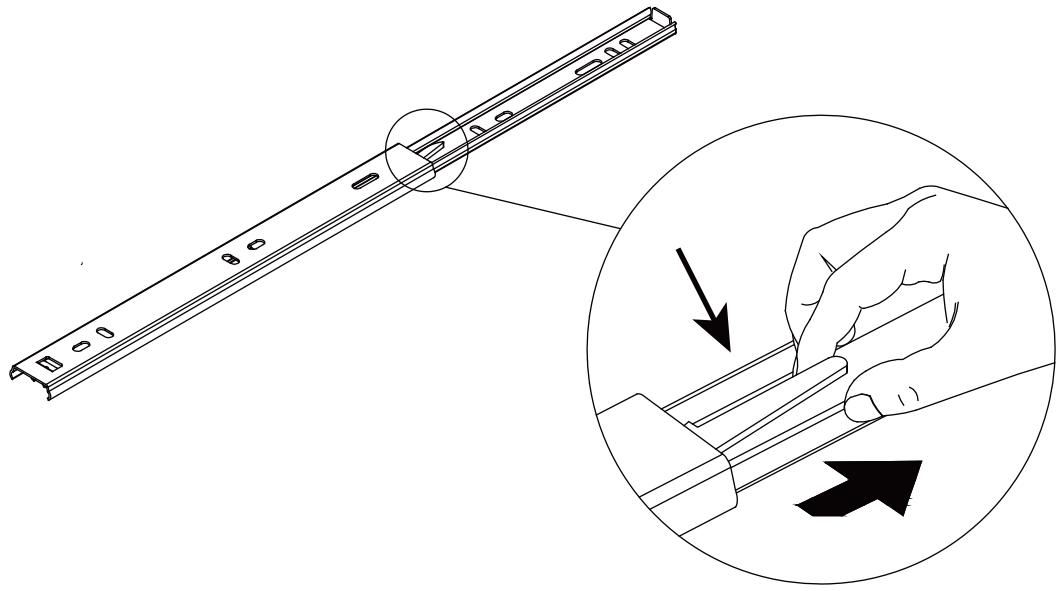
Step 29



Step 30



Step 32

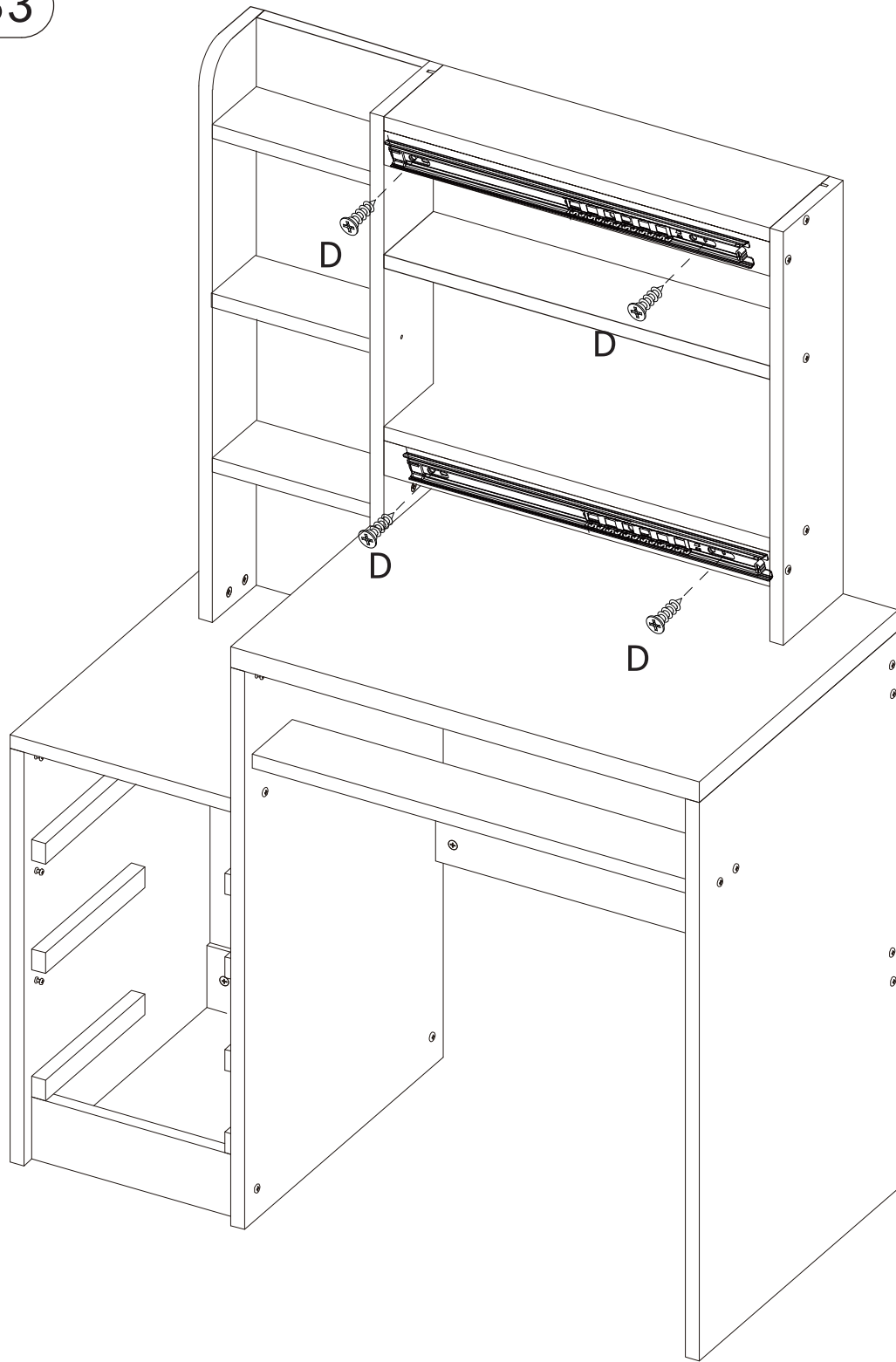


J-1

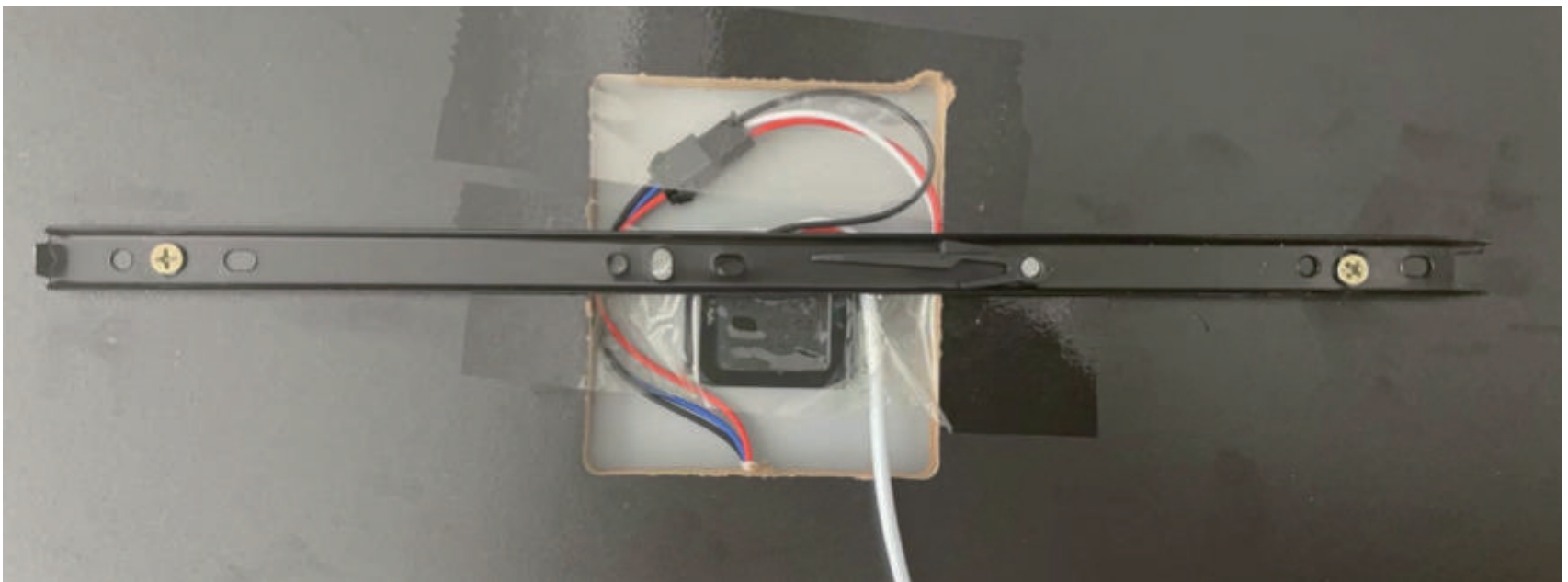
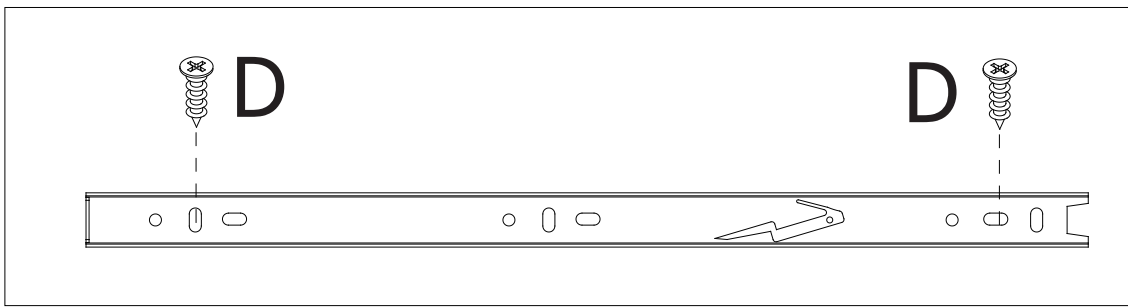
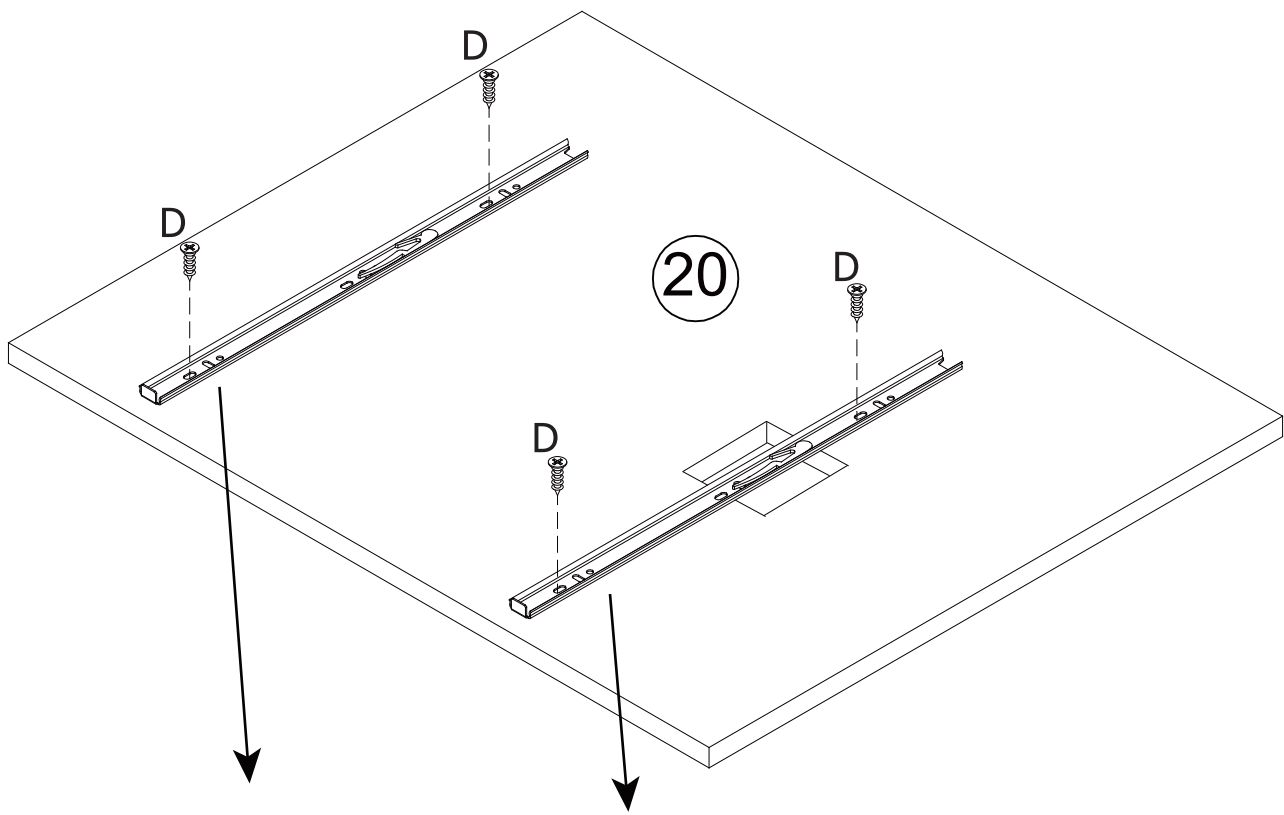
J-2



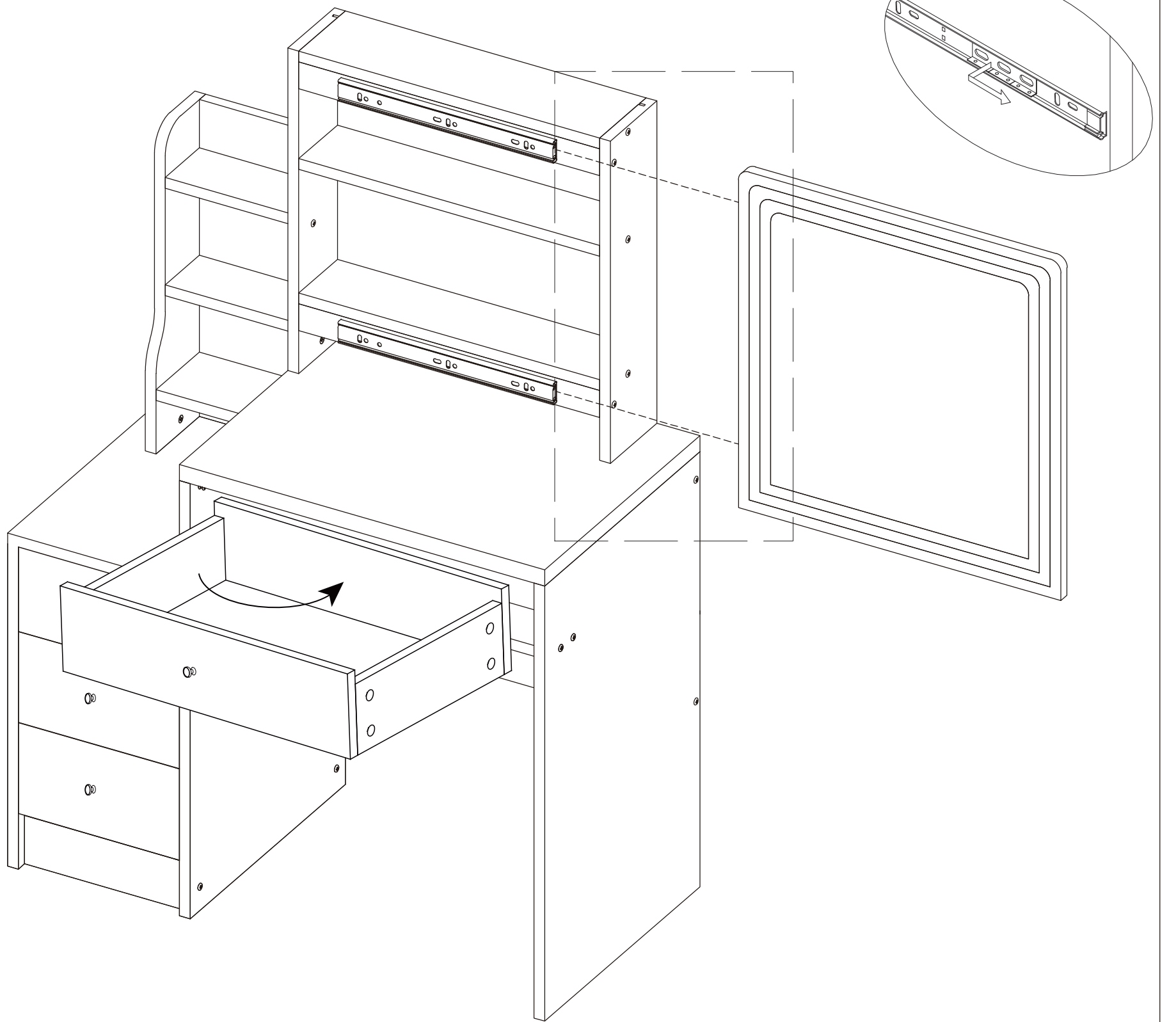
Step 33



Step 34



Step 35

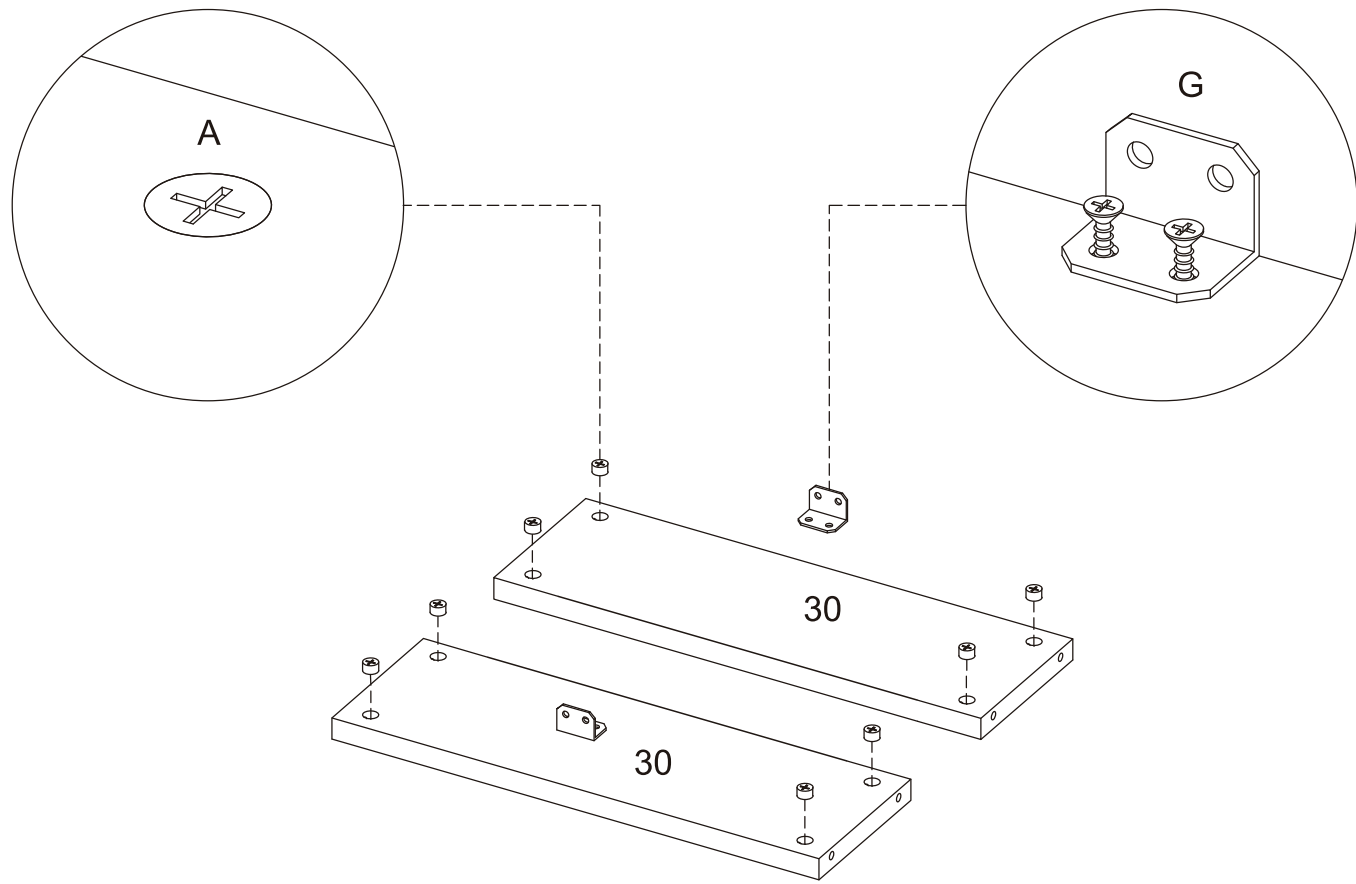


Please note that when placing the drawer in, the drawer positioning pin will block the drawer. Therefore, please follow the diagram to first insert the inner edge of the drawer using a concave method, and then push the drawer flat.

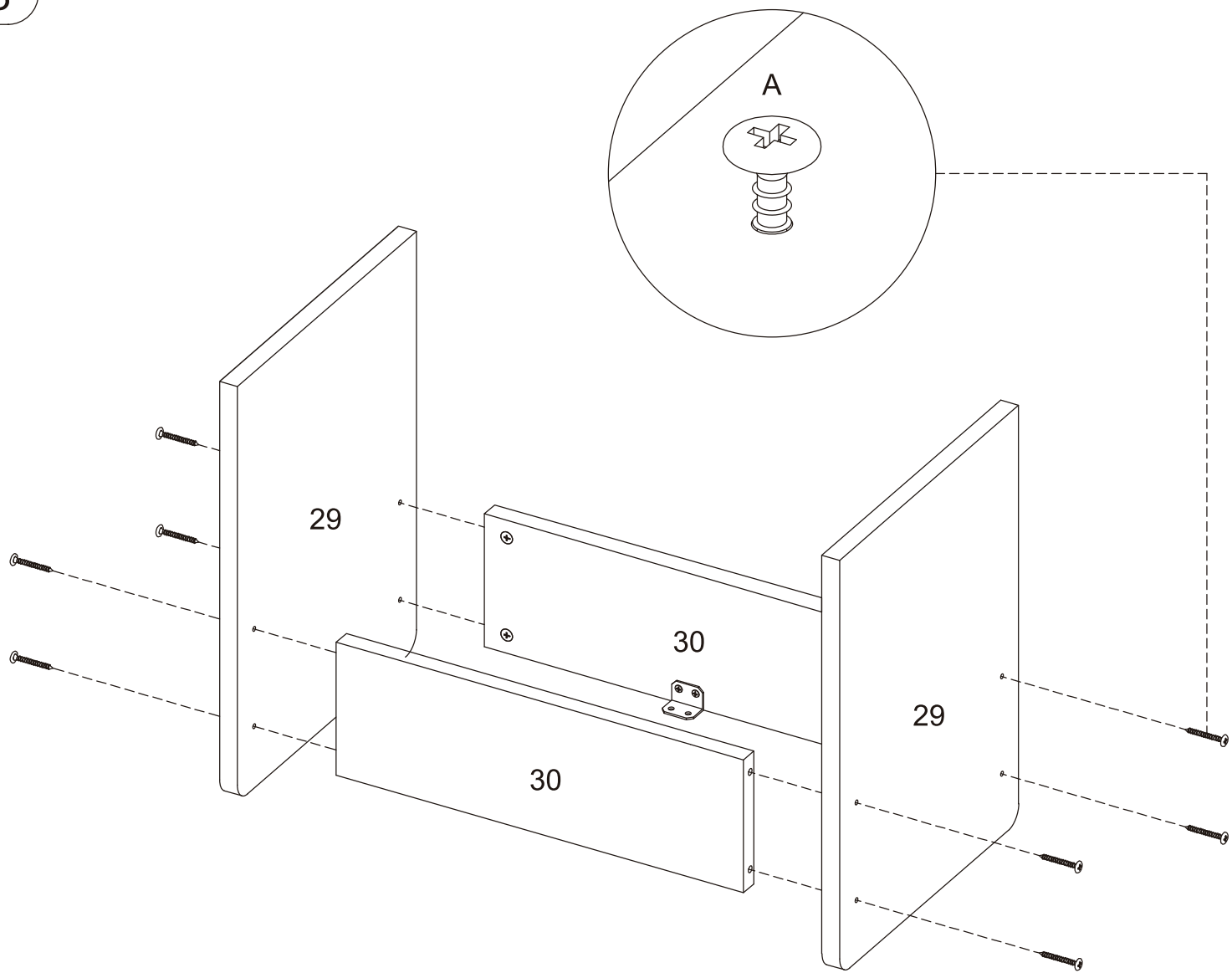
Step 36



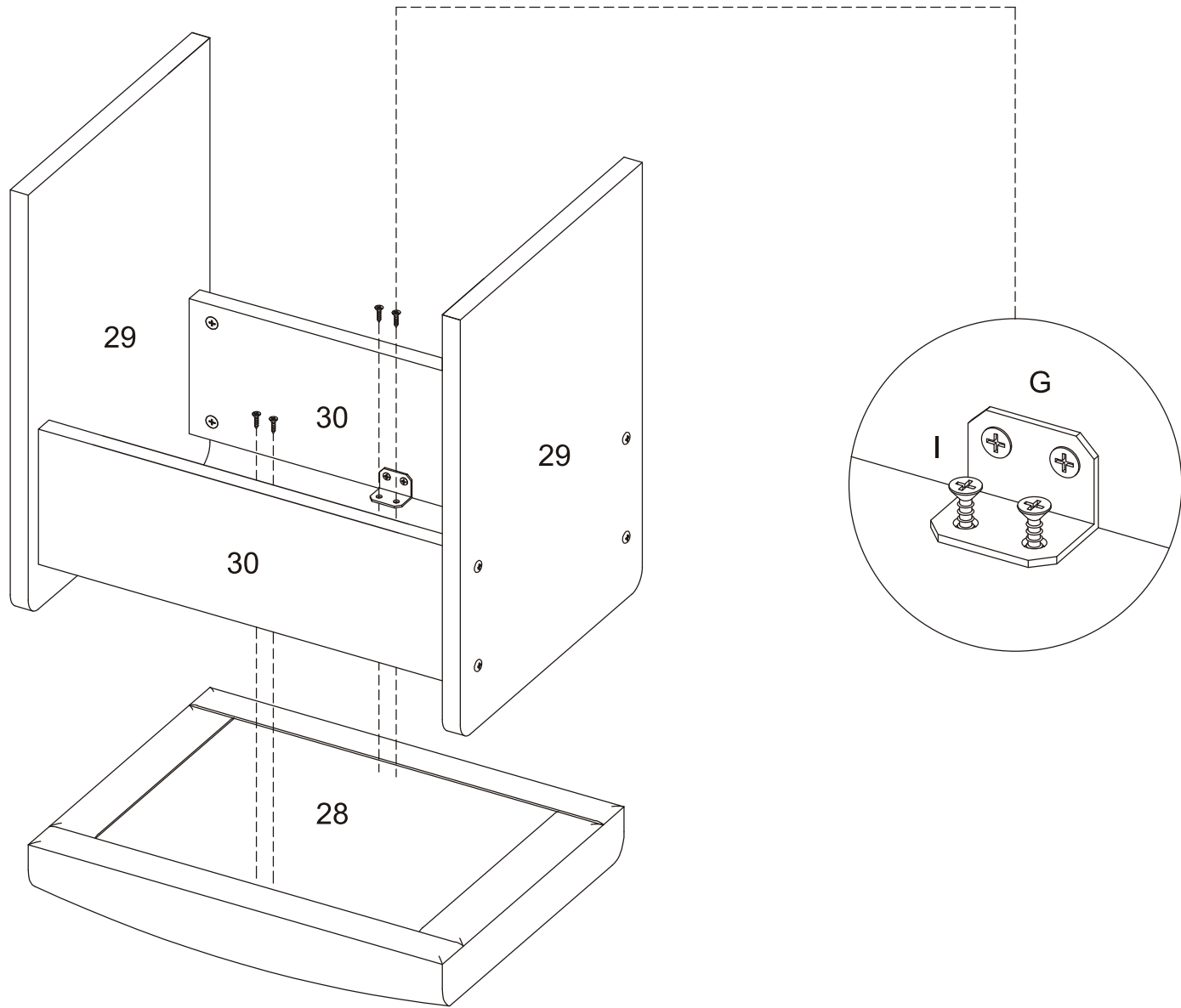
Step 37



Step 38



Step 39



Step 40

