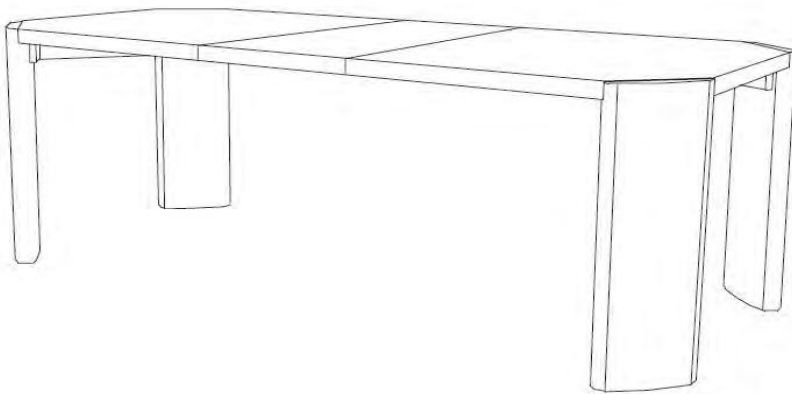


# ASSEMBLY INSTRUCTIONS

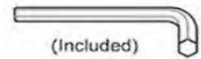
---



## TOOLS REQUIRED



Screwdriver  
( Not included)



(Included)  
Allen Wrench



2 - People

## ASSEMBLY RATING



EASY —————> DIFFICULT

The Assembly Rating is a 5-point system showing the level of effort needed to assemble a specific product.



## **CHECK BEFORE STARTING**

### **Are you missing anything?**

Double-check all parts, hardware and accessories listed are all accounted for.

### **Check out our Quick Tips!**

We recommend reviewing the pre-assembly handouts. Even experts need a refresher now and then!

### **Should we send any replacements?**

Are there any irregularities or flaws in the parts? We can send replacements!

### **Prep Time!**

Please review the assembly instructions and all diagrams prior to assembling.

---

# PRE ASSEMBLY INTRODUCTION

We understand building ready-to-assemble furniture can be a challenging experience for some. To help avoid confusion, we have provided some helpful tips that may speed up the process.



## Teamwork

ALWAYS have at least two people to help with transporting and assembling the product to avoid potential injury and/or damage.



## Suitable Location

Assembling near the area of the intended location is highly recommended.



## Sufficient Space

Make sure you have enough space to move around during the assembly.



## Avoid Scratches

Use cardboard, blankets or a carpeted area while assembling furniture to prevent to prevent scratches and damages.



## Flat Surface

Make sure the furniture rests on a flat and level surface with each leg evenly touching the floor.

# ASSEMBLY AND CARE ADVICE



**FAILURE TO FOLLOW THE GUIDELINES BELOW MAY RESULT IN INJURY AND/OR PROPERTY DAMAGE.**



Position each part correctly and insert screws or bolts into their respective holes.



Turn clockwise to tighten and only tighten when step is completed or when instructed to do so.



Use the appropriate hand tools or power tools for assembly. Select steps, such as tightening screws and/or bolts, may require hand tools to avoid causing damage during assembly.



Save the instructions and store any supplied tools for later maintenance.



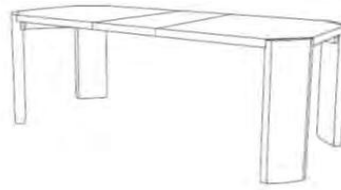
After two weeks, check and tighten any loose hardware and repeat again every six months thereafter.

**IT IS THE USER'S RESPONSIBILITY TO MAINTAIN THE FURNITURE. THE HARDWARE MAY LOOSEN OVER TIME AND MAY CAUSE THE FURNITURE TO BE WOBBLY AND UNABLE TO SUPPORT ITS INTENDED WEIGHT CAPACITY. THIS MAY LEAD TO COLLAPSE AND MAY CAUSE SERIOUS INJURY.**

RECT EXT TABLE



- Please keep instructions for future reference.
- Check the quantity and irregularity of parts and hardware before you start.



**PARTS**

(P1) - 1PC

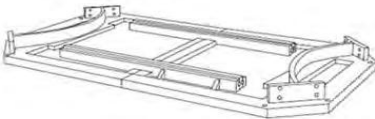


TABLE TOP

(P2) - 4 PCS

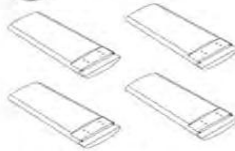


TABLE LEG

(P3) - 1 PC



EXTENSION LEAVE

**HARDWARE**

(H1) - 16 PCS



M6x40 JCBC SCREW

(H2) - 16 PCS



SPRING WASHER

(H3) - 16 PCS



FLAT WASHER

(H4) - 8 PCS



WOOD DOWEL

(H5) - 8 PCS

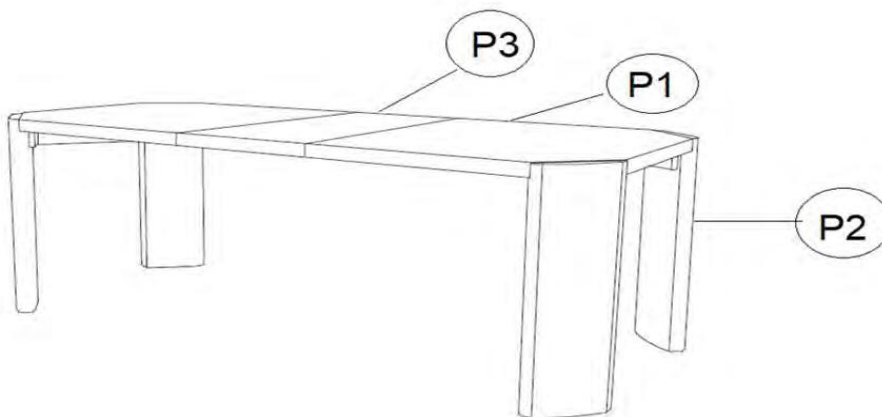


LEG GLIDE

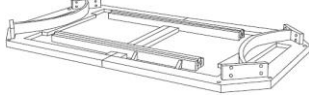
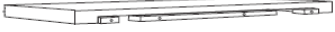







(H6) - 1 PC

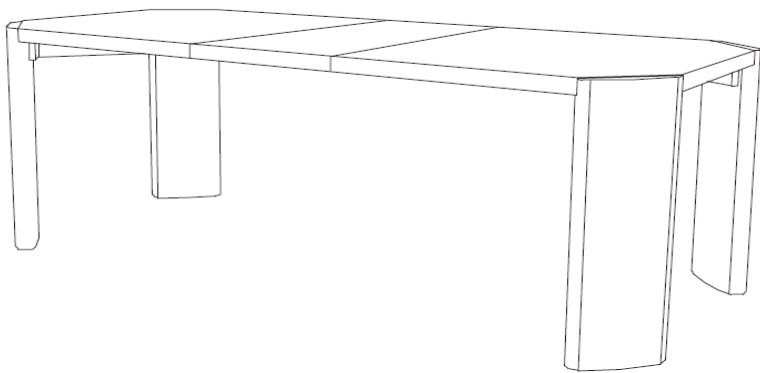


ALLEN KEY



**packed in 2 carton**

Carton	Designation	Part List		Hardware List
	Table Top	P1 x 1pc		
	EXTENSION LEAVE	P3 x 1pc		
	TABLE LEG	P2 x 4pcs		 H1 x 16pc
				M6x40 JCBC SCREW
				 H2 x 16pc Spring Washer
				 H3 x 16pc Flat Washer
				 H4 x 8pc Wood Dowel M8x30mm
				 H5 x 8pc LEG GLIDE
				 H6 x 1pc Allen Key









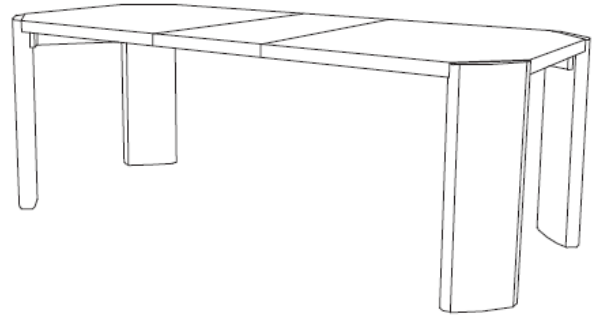
# ASSEMBLY INSTRUCTIONS

## PARTS LIST

NO.	COMPONENT	QTY.
P1	TABLE TOP	1
P2	TABLE LEG	4
P3	EXTENSION LEAVE	1

## HARDWARE LIST

NO.	DESCRIPTION	QTY.
H1	M6X40MM JCBC SCREW 	16
H2	SPRING WASHER 	16
H3	FLAT WASHER 	16
H4	WOOD DOWEL M8 x 30mm 	8
H5	LEGS ADJUSTABLE GLIDE 	8
H6	ALLEN KEY 	1




COMPLETE ASSEMBLY

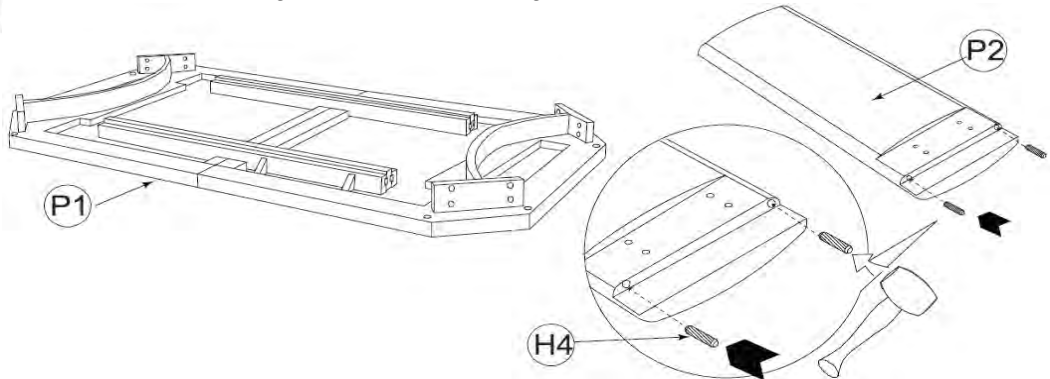
\* MALLET ( NOT PROVIDED)

## STEP 1

While preparing the Table Top (P1) by placing it upside-down on a flat soft & clean surface .




Get all the Table leg (P2) to insert the Wooden dowel (H4) into the designated holes at the Legs, until the dowels snug in each hole.

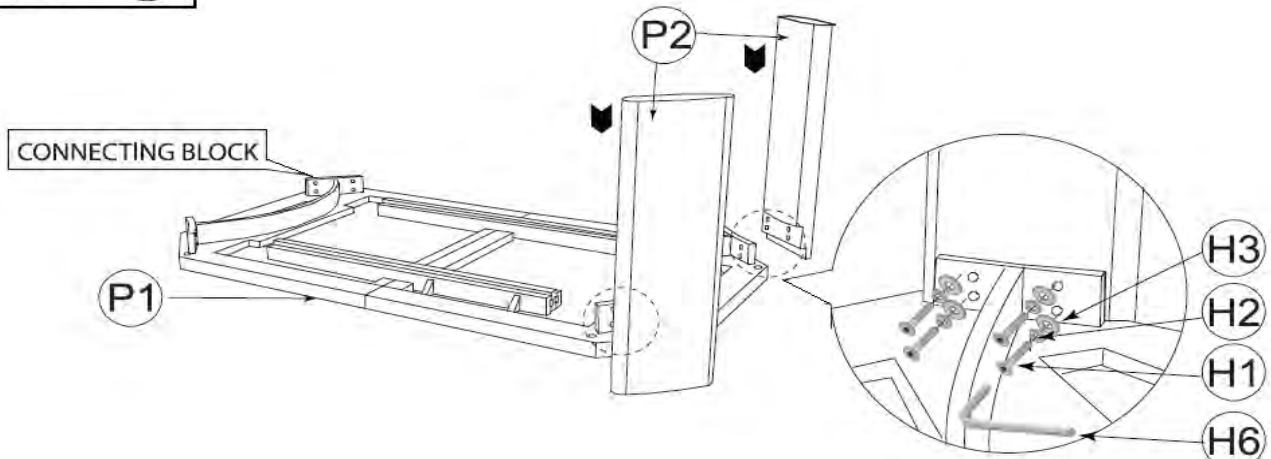
H4 x 8   
M8 x 30mm



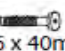


## STEP 2

Assemble the Table legs (P2) one by one by attaching them to the connecting blocks in the Table Top, and make sure the locating wooden dowels in the legs are snug into the hole in the table top. Then, Align Bolt (H1) fitted with a Spring Washer (H2) & a Flat Washer (H3) through the holes in the connecting blocks, respectively. Tighten the bolts using the Allen Key (H6).

H1 x 8   
M6 x 40mm  
H2 x 8   
H3 x 8 



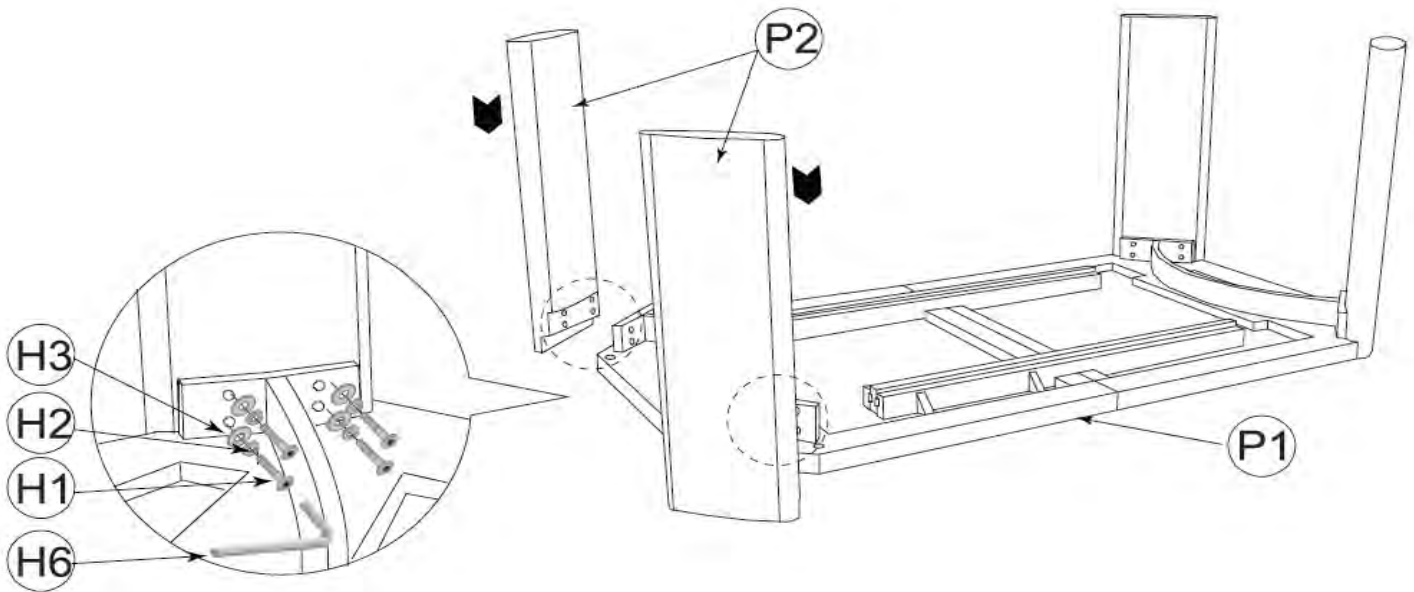
### STEP 3

H1 x 8	
M6 x 40mm	
H2 x 8	
H3 x 8	


Assemble the to ther two set of Table legs (P2) by attaching it to the connecting blocks in the Table Top, and make sure the locating wooden dowels in the table leg are snug in the holes at the table top.

Then, Align Bolt (H1) fitted with a Spring Washer (H2) & a Flat Washer (H3) through the holes in the connecting blocks, respectively.

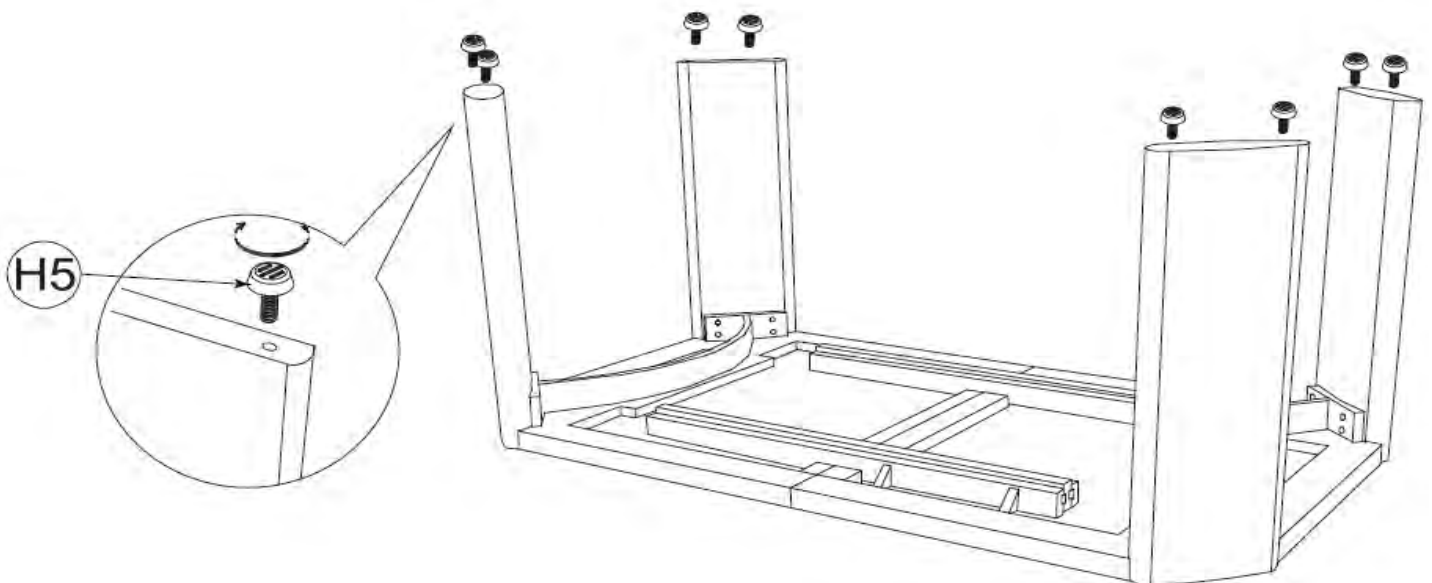
Tighten the bolts using the Allen Key (H6).



### STEP 4

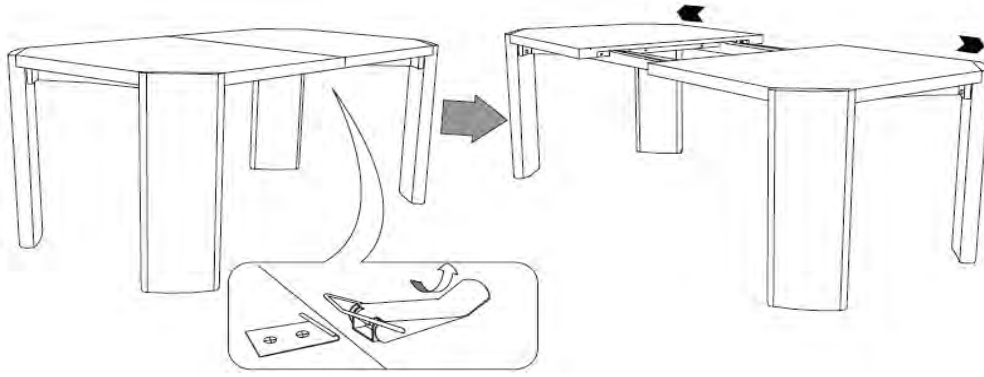
H5 x 8	
--------	---

Align the Legs Adjustable Glide (H5) into nuts in the Table Leg Base .



**STEP 5**

Carefully Put the table upright with the help of two or more adults people.



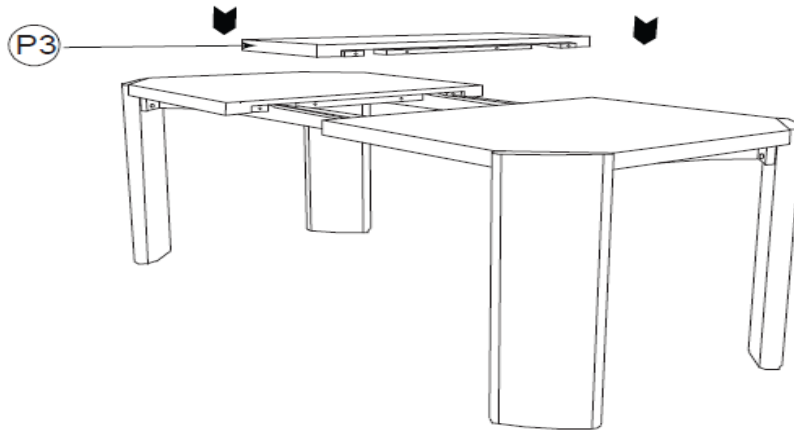
unlock all 2 latches.

Reach Two latches underside the Table Top and Unlock them.

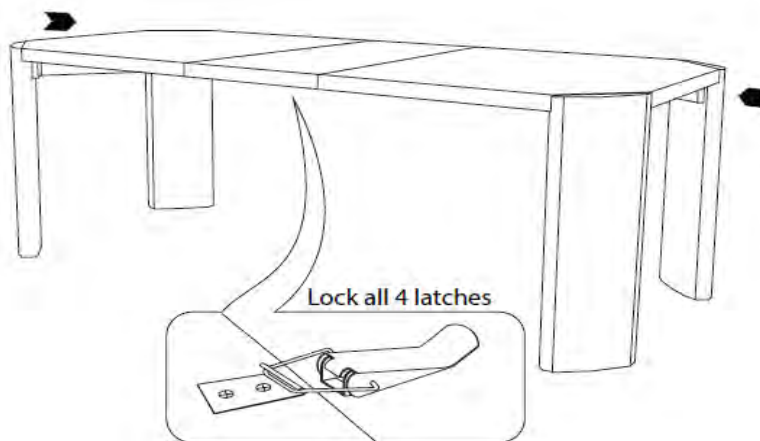
Then, pull the Table at both ends simultaneously to reveal a space for placing the Extension leave (P3).

**STEP 6**

Carefully Place the Extension Leave(P3) into the space between the table top. Match the locating pins in the Table top leaves. Then, push the Table at both ends simultaneously until the table top & Extension leave snug & fit.

**STEP 7**

Then , push the table at both ends simultaneously until the table top & Extension leave snug & fit .



Lock all 4 latches

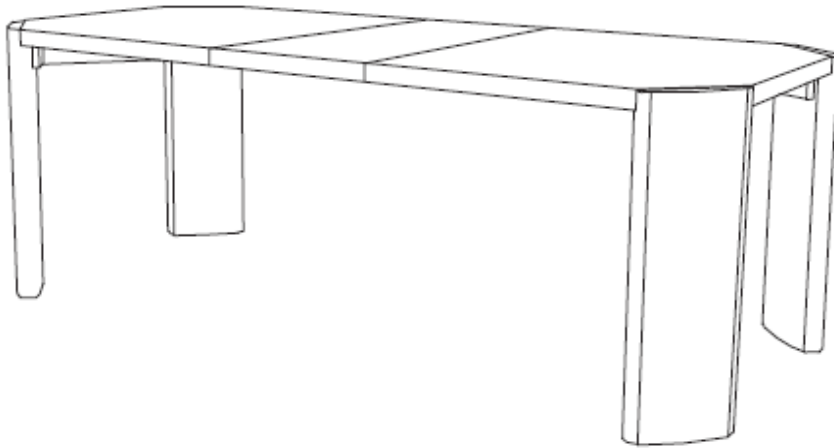
Reach all four latches underside the Table Top and lock them all.

**CARE AND MAINTENANCE**

**SAFETY** - To avoid any risk of suffocation to children or animals, dispose off the plastic bags immediately.

**CLEANING** - Clean with damp cloth and mild detergent. Do not use bleach or abrasive products.

**FITTINGS** - Tighten bolts and nuts from time to time to ensure all parts of product are securely fitted.



## ASSEMBLY COMPLETED



Please ensure the furniture rests on an even and flat surface. If the product wobbles or feels loose, double-check all bolts and/or screws are properly tightened and secured.



### Keep this handy!

Please retain this instruction manual and any order-related information for future reference.



### Lift, don't drag!

To avoid damage to product please always LIFT the product when transporting or adjusting the placement.

**This product is intended for RESIDENTIAL USE ONLY and not for commercial use .**

### CARE AND MAINTENANCE

**SAFETY** - To avoid any risk of suffocation to children or animals, dispose off the plastic bags immediately.

**CLEANING** - Clean with damp cloth and mild detergent. Do not use bleach or abrasive products.

**FITTINGS** - Tighten bolts and nuts from time to time to ensure all parts of product are securely fitted.