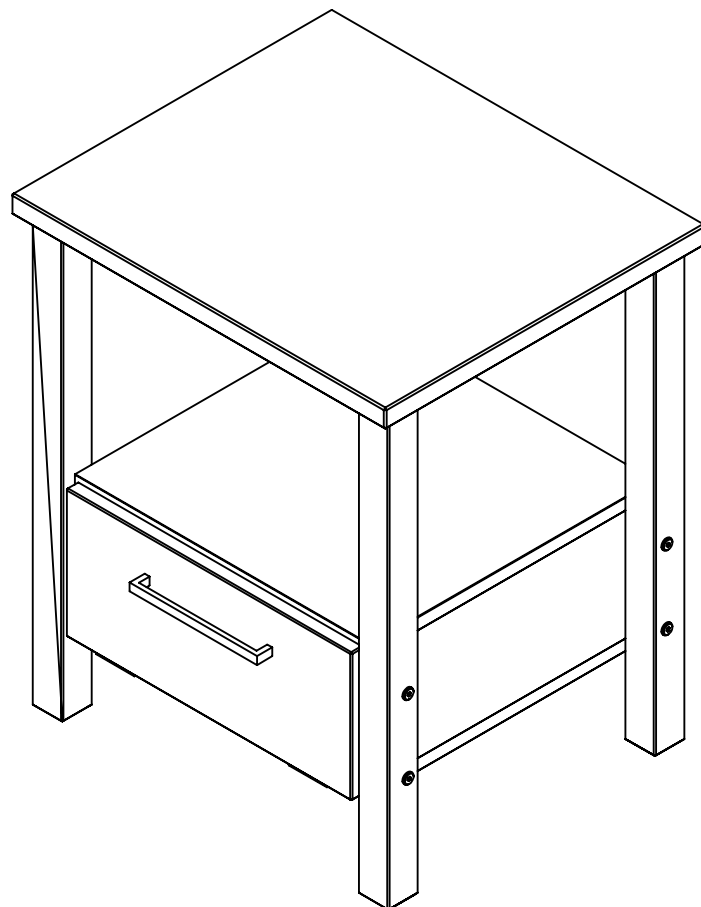
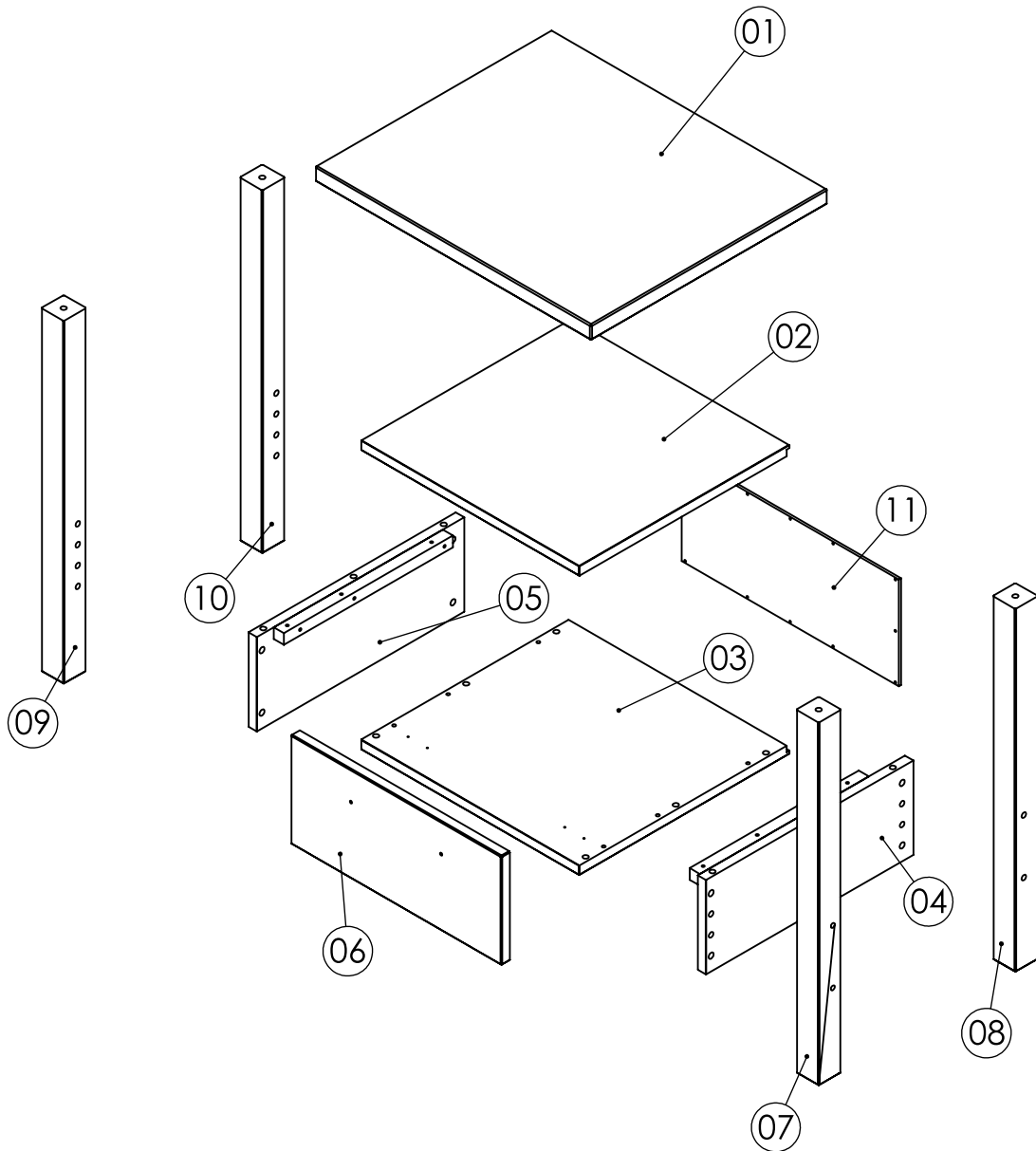


Thank you for purchasing We hope you get years of enjoyment from your new bed. The unique brushing process highlights the woods natural grain. All our wood is plantation grown. No two pieces of wood are the same, enjoy the natural beauty of wood, every piece of wood has unique grain and color and knots, these differences in texture and color create the look only solid wood provides.

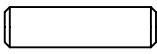
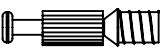

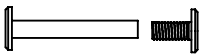


NIGHTSTAND



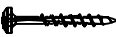
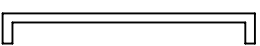



COMPONENTS



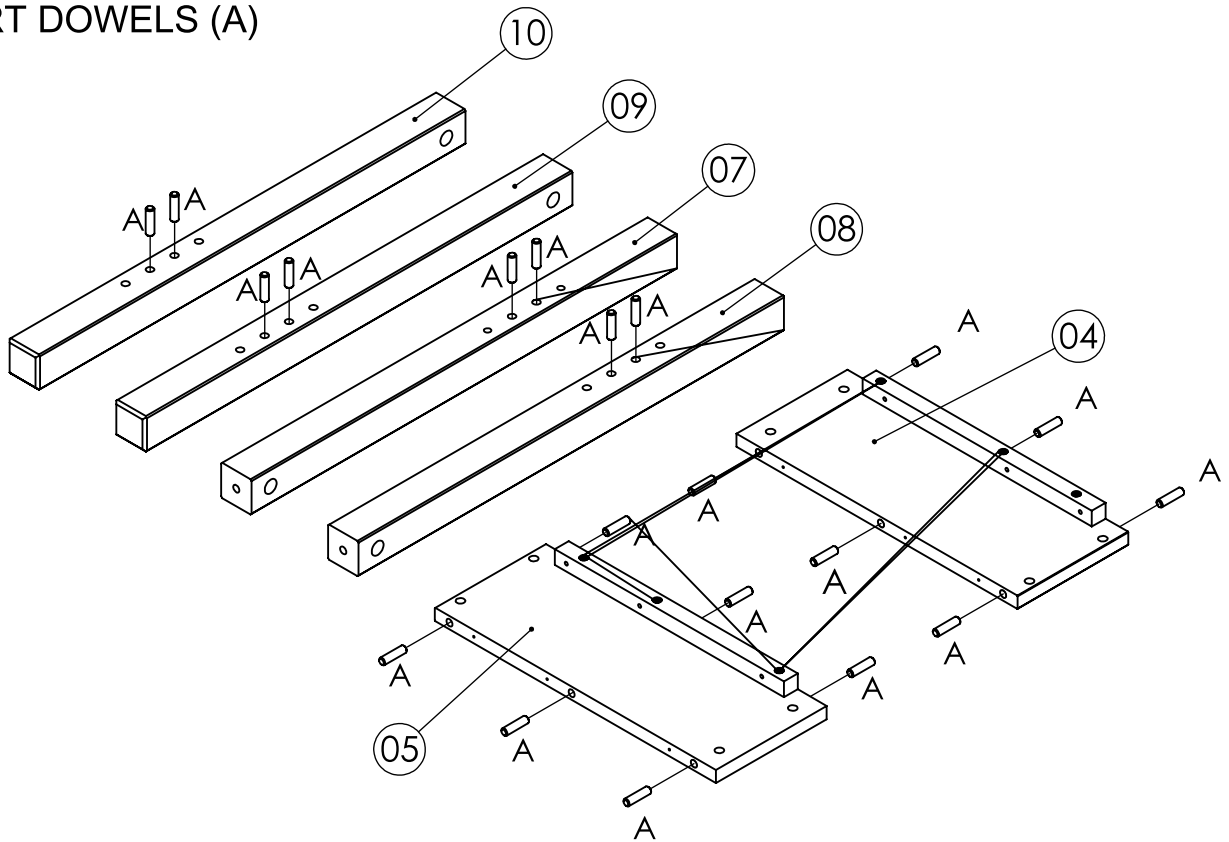
HARDWARE

A		8X30	20
B			04
C			04
D		(13*) 3/16 X50	08
E		CF 3,5X16*	12
F		CC 3,5X14*	12

G			02
H		15X40X4	02
I		CP 4X30	12
J		PZ 126*	01
K		M4X22*	02

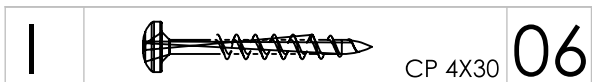
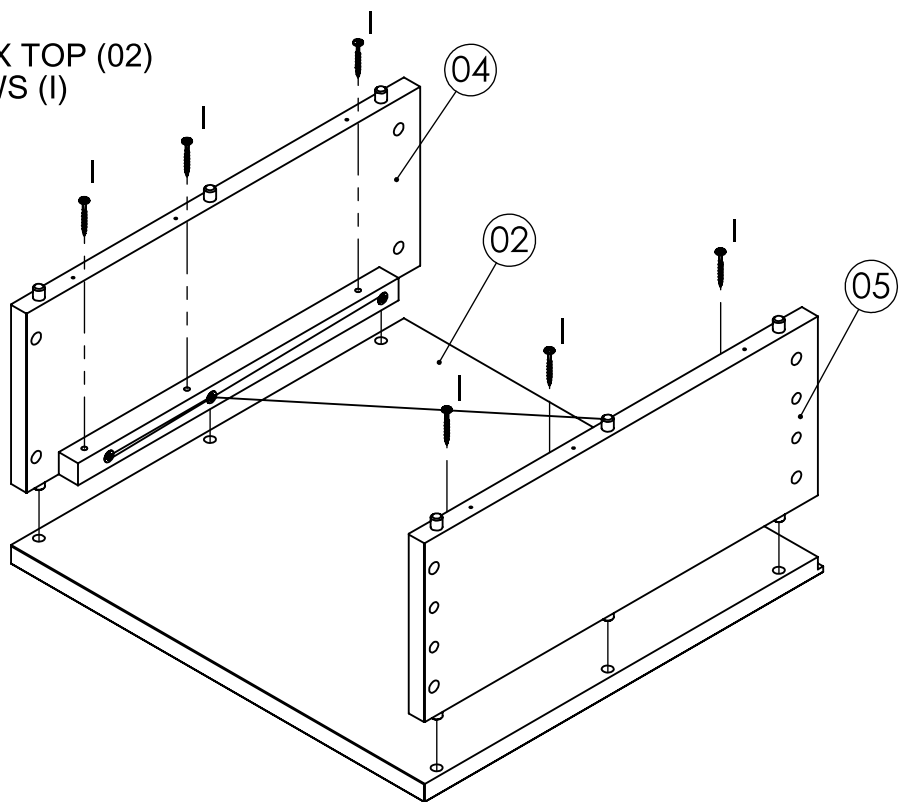
STEP 1

INSERT DOWELS (A)



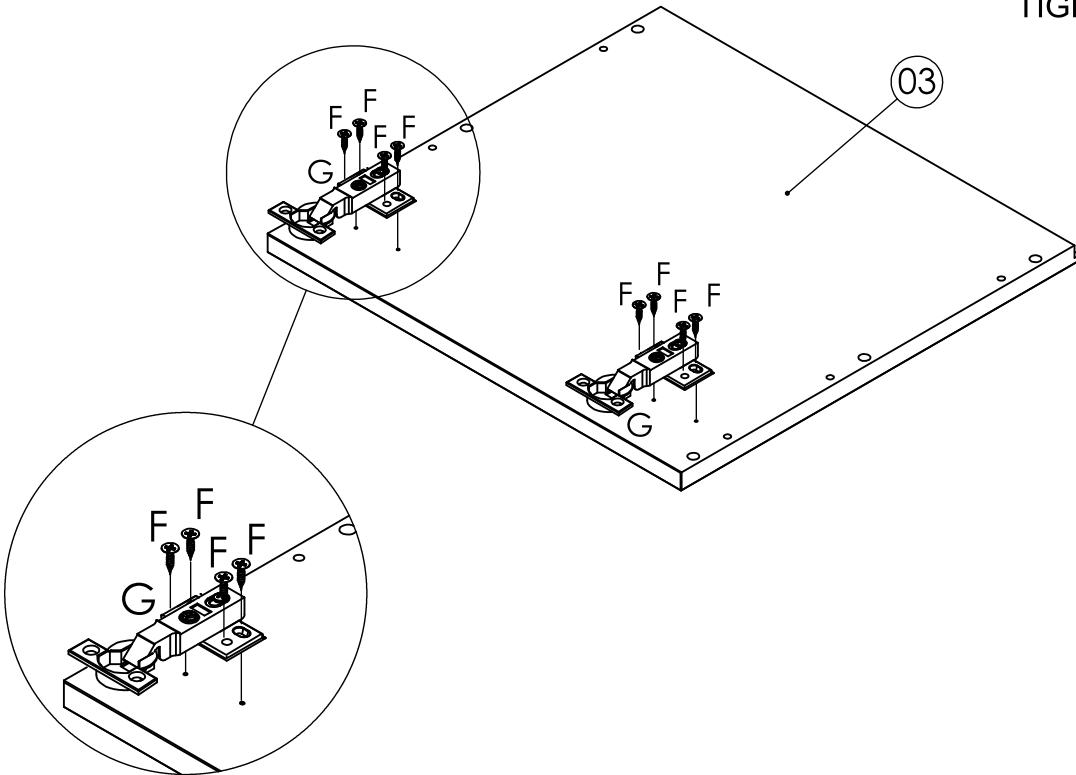
STEP 2

ATTACH SIDES (04,05) TO BOX TOP (02)
TIGHTEN USING SCREWS (I)



STEP 3

ATTACH HINGES (G) TO BOX
BOTTOM (03)
TIGHTEN USING SCREWS (F)



F



CC 3,5X14*

08

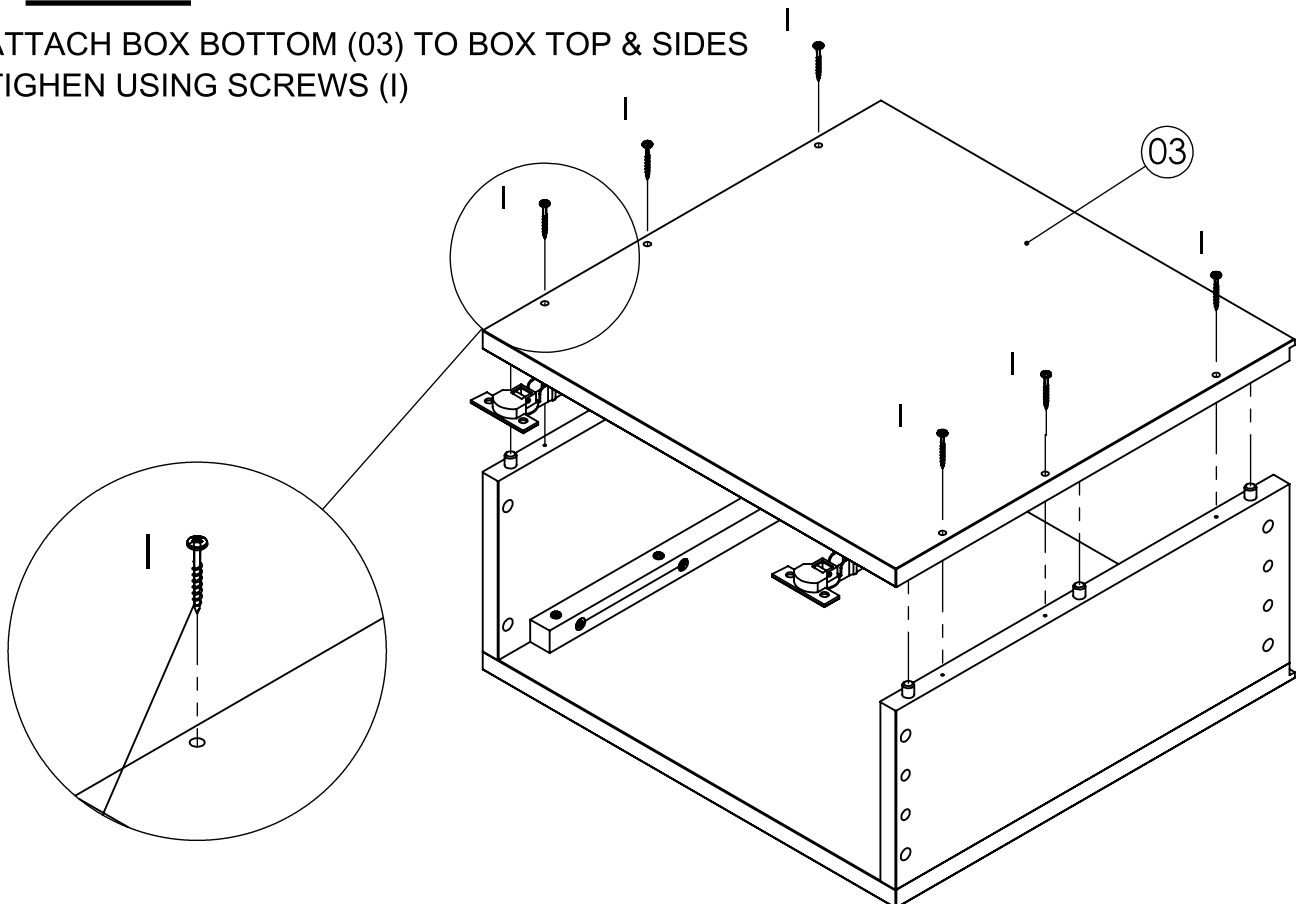
G



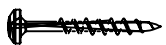
02

STEP 4

ATTACH BOX BOTTOM (03) TO BOX TOP & SIDES
TIGHTEN USING SCREWS (I)



I



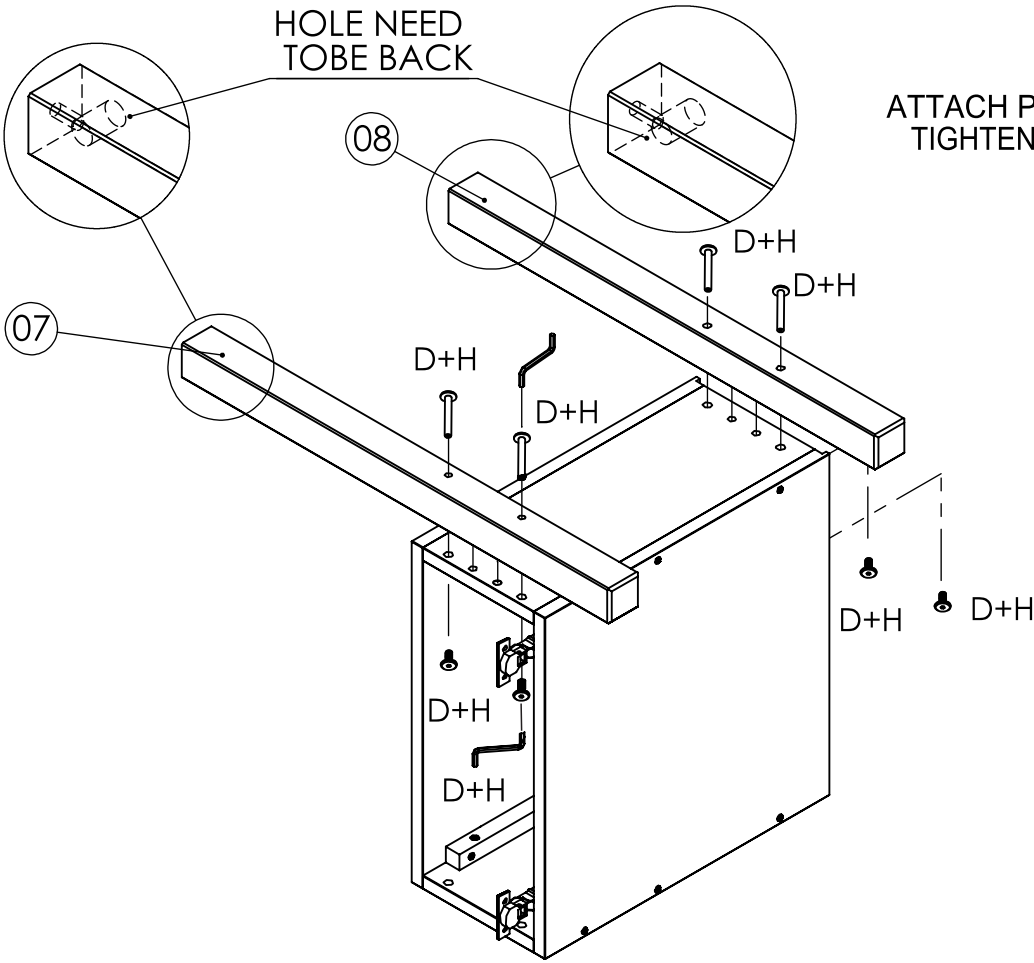
CP 4X30

06

HOLE NEED
TO BE BACK

STEP5

ATTACH POSTS (07,08) TO BOX SIDES
TIGHTEN USING SLEEVE BOLTS (D)

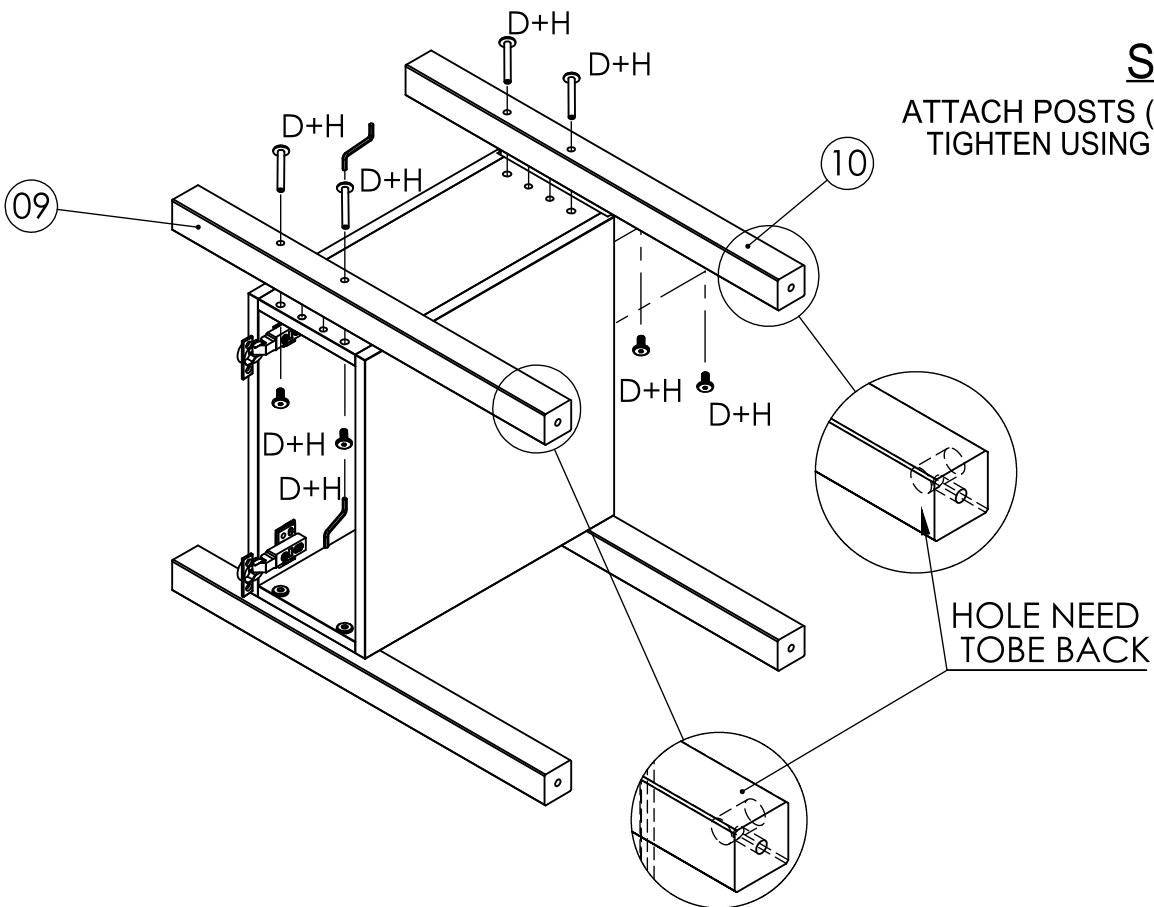


D  (13*) 3/16X50 04

H  15X40X4 02

STEP6

ATTACH POSTS (09,10) TO BOX SIDES
TIGHTEN USING SLEEVE BOLTS (D)

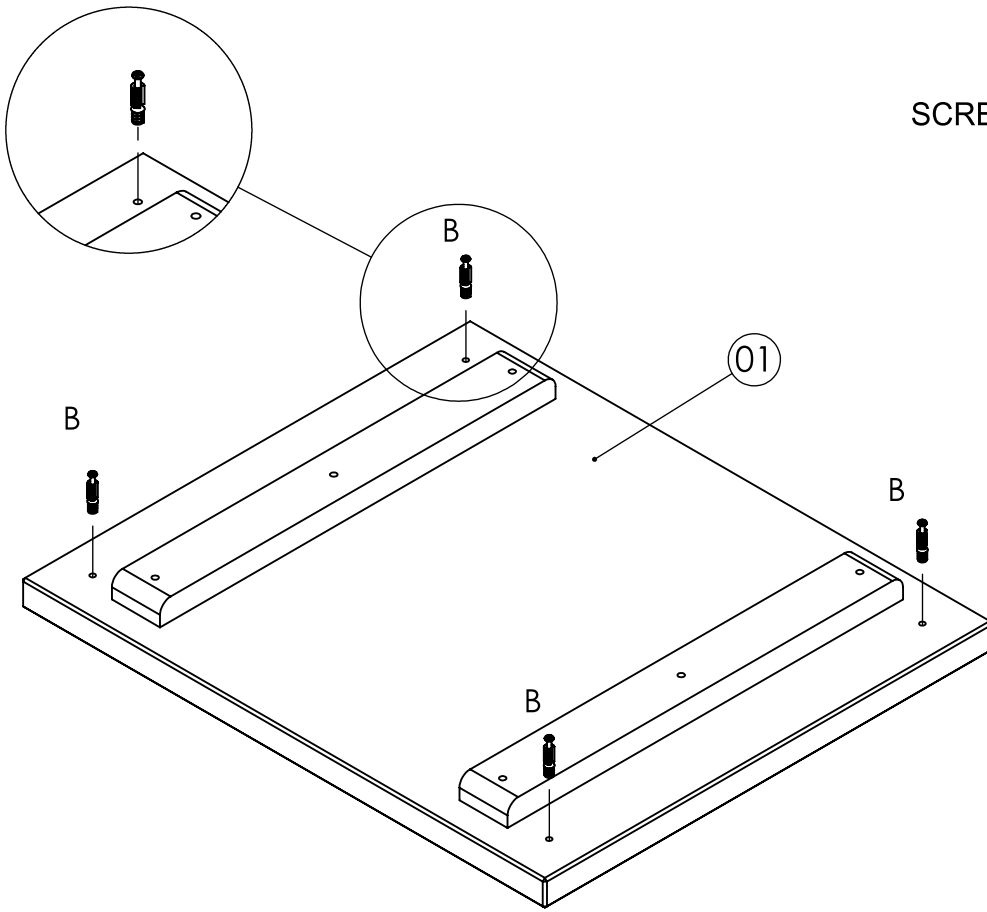


D  (13*) 3/16X50 04

H  15X40X4 02

STEP 7

SCREW CAM-BOLTS (B) INTO TOP (01)



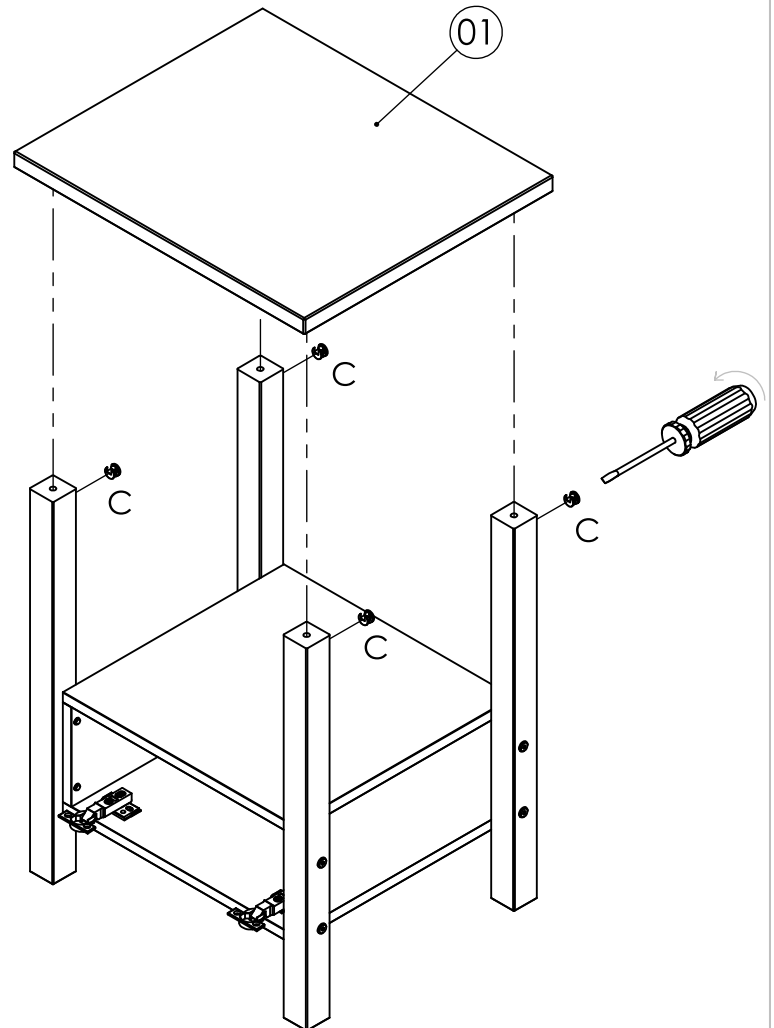
B



04

STEP 8

INSERT CAM-LOCKS (C) TO POSTS
ATTACH TOP (01) TO POSTS
TIGHTEN CAM-LOCKS (C)



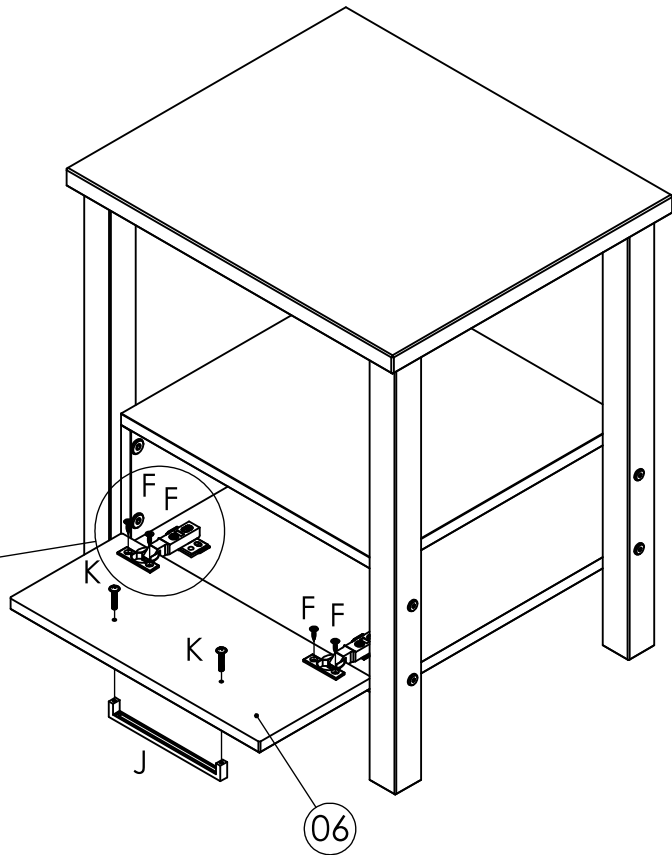
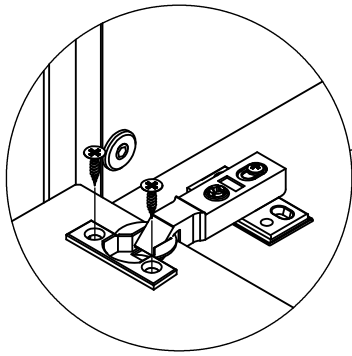
C


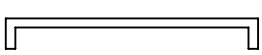


04

STEP 9

ATTACH HANDLE (J) TO DOOR (06)
 TIGHTEN USING SCREWS (K)
 ATTACH DOOR (06) TO HINGES
 TIGHTEN USING SCREWS (F)

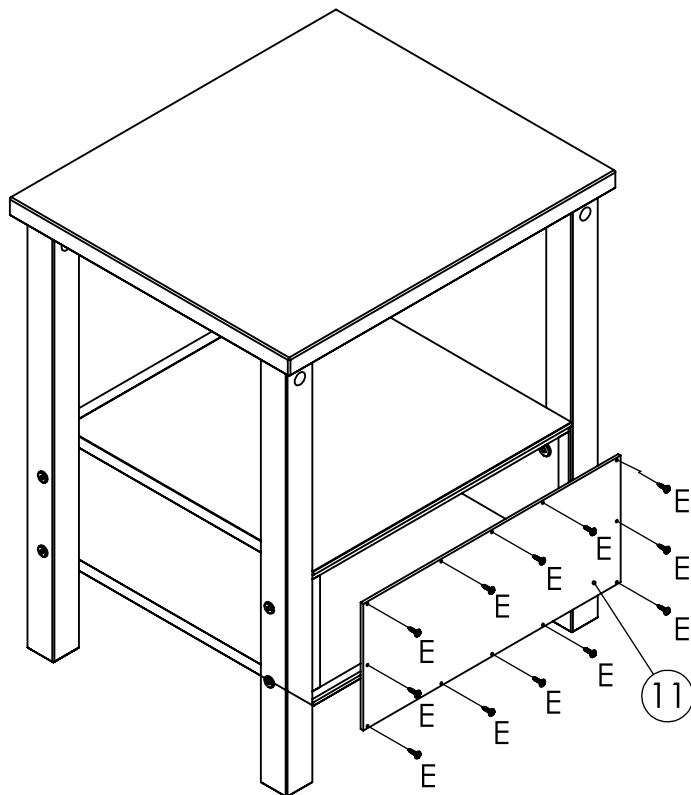


F		CC 3,5X14*	04
J		PZ 126*	01

K		M4X22*	02
---	---	--------	----

STEP 10

ATTACH BACK PANEL (11) TO
 BACK OF NIGHTSTAND
 TIGHTEN USING SCREWS (E)



E		CF 3,5X16*	12
---	---	------------	----