

ASSEMBLY INSTRUCTIONS

925 - DINING TABLE

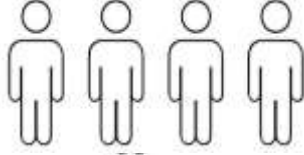
meridian.
furniture



**+ Do Not Use
Power Tools**



**+ Suggested
Adults**



NOTE: For questions about parts or assembly please email support@meridianfurnitureusa.com or call us at 718-758-4455.

- 1 Read instructions cover to cover.
- 2 Save all packaging until assembly is completed.

1 **IMPORTANT SAFETY INFORMATION**

Do Not assemble the product if any of the following parts arrived damaged:
Part # 1 - Table Top
Part # 2 - Base

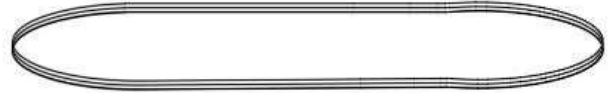
2 **IMPORTANT ASSEMBLY INFORMATION**

Assembly Step Use Bolt **A** , to connect Part # 1 to Part # 2.

***Warning:** Do not over tighten screws, or it could damage the Table Top.

+ Parts Included

- ① Table Top
(#1 of pcs)



- ② Base
(#2 of pcs)



+ Parts Included

- A Allen Bolt
(#8 of pcs)



- C Washer
(#8 of pcs)



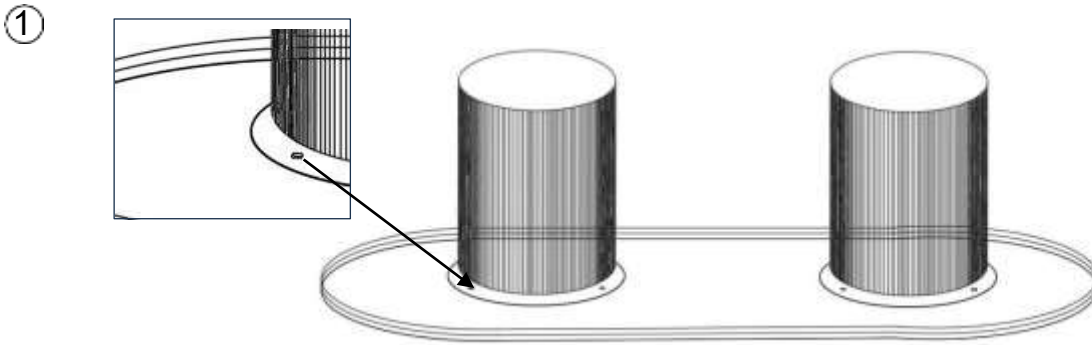
- B Allen Key
(#1 of pcs)



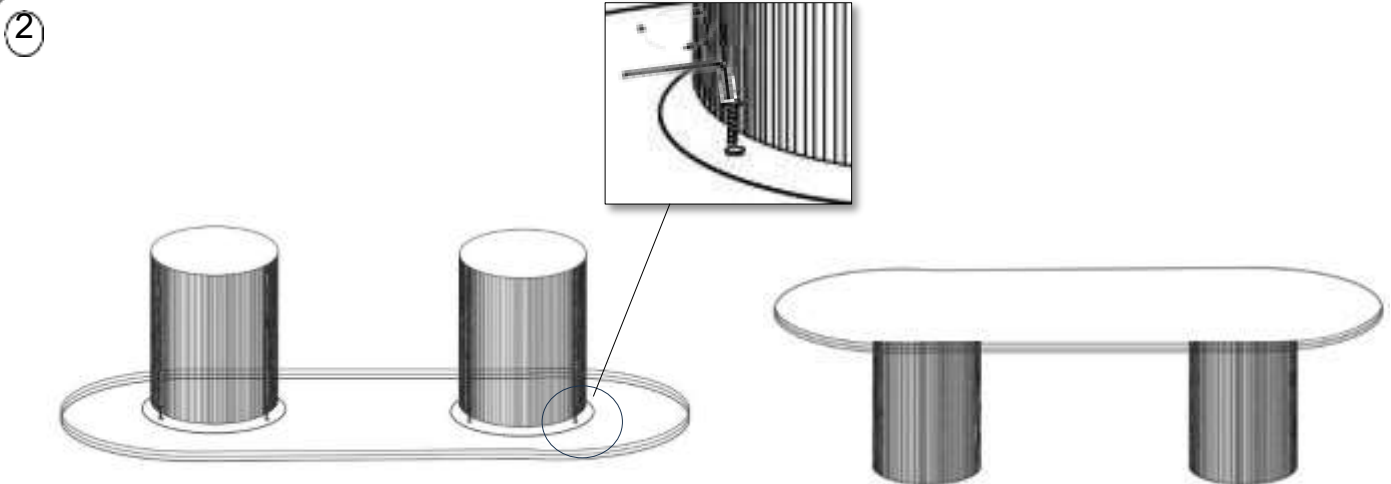
ASSEMBLY INSTRUCTIONS

925 - DINING TABLE

meridian.
furniture



Note: Place Marble top upside down on smooth surface, align pedestal and dining holes as showing in image.



Note: After holes aligned use Allen bolts followed with washer for assembly. Finger tighten and then fully tight with Allen key provided. Repeat same step for all bolts. Turn Table upright carefully. Your table is ready to be used now. Bolts then start tightening the Bolts. Do not over tighten Bolts .

Note: For questions about parts or assembly please email support@meridianfurnitureusa.com or call us at 718-7584455
www.MeridianFurnitureUSA.com | support@meridianfurnitureusa.com