

INSTALLATION

Product Manual



IMPORTANT INFORMATION!

please read the entire manual before starting to assemble and/or using this product. follow the manual thoroughly and keep it for further reference.



AVOID SCRATCHES!

In order to avoid scratching this furniture should be assembled on a soft layer- could be a rug.



IMPROVE EFFICIENCY !

Try to find a partner to install with you, which can speed up the installation efficiency and shorten the time.



ANTI-TOPPLE WARNING !

Overturnd furniture can cause serious or fatal crush injuries. To prevent tipping over, be sure to use the wall attachment, if not included with this product. Please purchase the wall attachment that fit your wall. If unsure, seek professional advice. Please read and follow each step of the instructions carefully.

IMPORTANT !

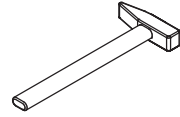
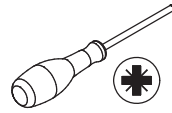
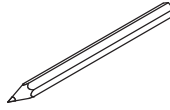
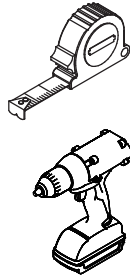
It is important that any product which is assembled using any kind of screw is re-tightened 2 weeks after assembly, and once every 3 months - in order to assure stability through-out the lifespan of the product.

For regular maintenance and cleaning of the product, for the frame, please use a rag dipped in neutral detergent to fully wipe it, and then dry it with a clean rag. For glass materials, wipe with a rag dampened with water glass cleaner, and then dry with a dry rag.

Do not use an electric screwdriver, and do not use too much force when installing, because the board is easy to break.

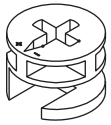


Please prepare the following tools



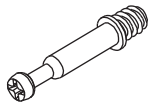
When installing, please carefully confirm whether each screw corresponds to the manual, accessories with similar shapes can be distinguished by size

A x 198



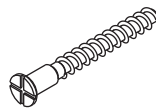
Ø 15 x 10 mm

B x 198



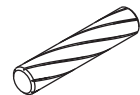
Ø 6 x 35 mm

C x 21



Ø 5 x 40 mm

D x 102



Ø 6 x 30 mm

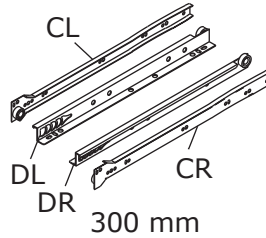
E x 4



F x 4



G x 4



H x 32



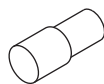
Ø 3.5 x 12 mm

I x 84

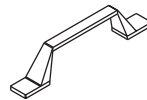


Ø 3.5 x 14 mm

J x 8



K x 8

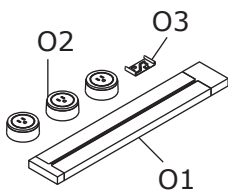


L x 16

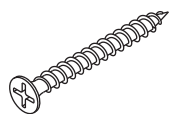


Ø 4 x 20 mm

O x 1

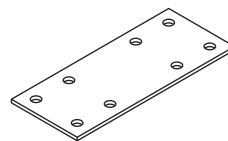


P x 40

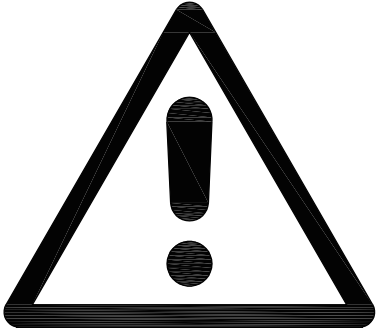


Ø 4 x 25 mm

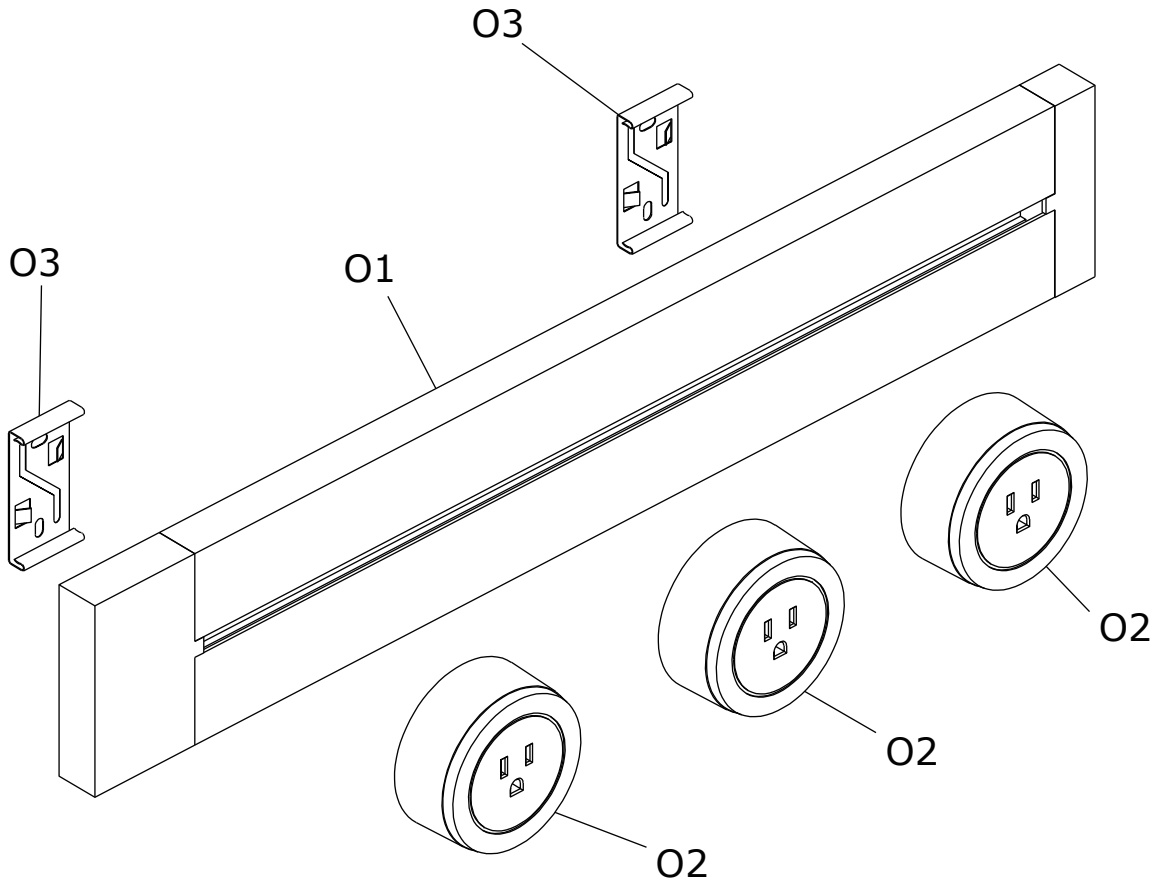
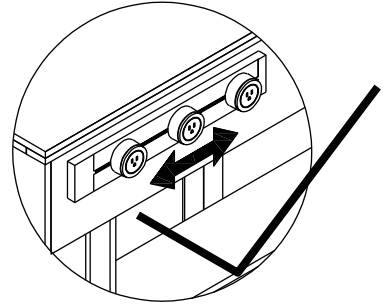
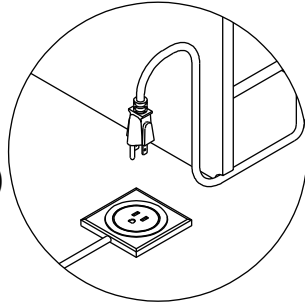
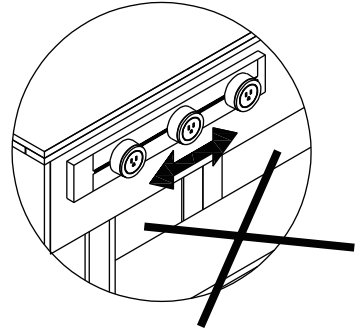
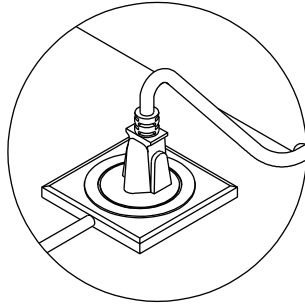
Q x 4

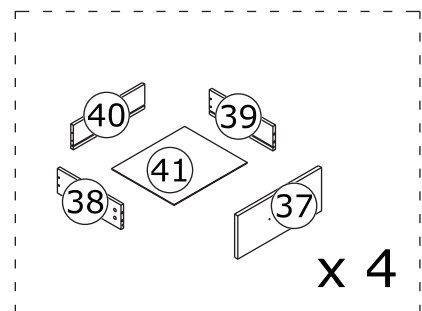
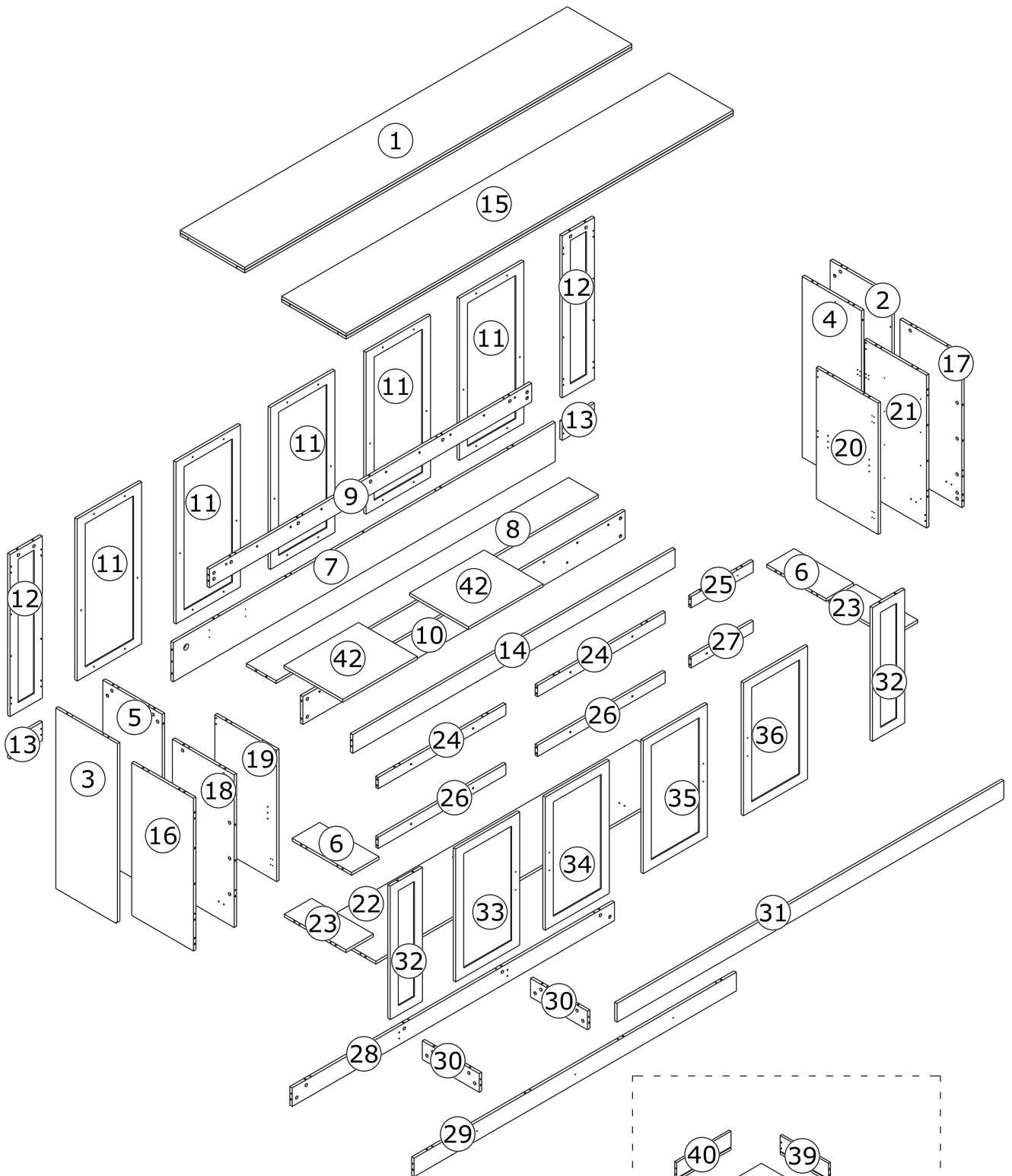


INSTRUCTION FOR USE



DO NOT MOVE SOCKET
WHEN POWERED ON (O2)



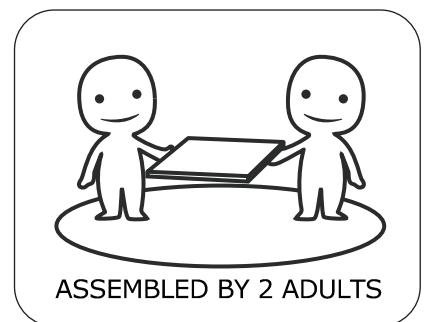


⚠ WARNING

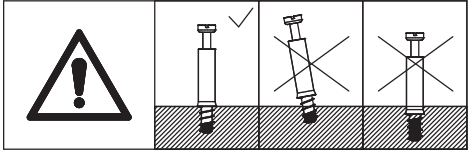
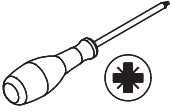
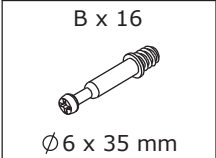
Children have died from furniture tipover. To reduce the risk of furniture tipover:

- ALWAYS install Anti-tip device provided.
- NEVER put a TV on this product.
- NEVER allow children to stand, climb or hang on drawers, doors, or shelves.
- NEVER open more than one drawer at a time.
- Place heaviest items in the lowest drawers.

This is a permanent label. Do not remove!

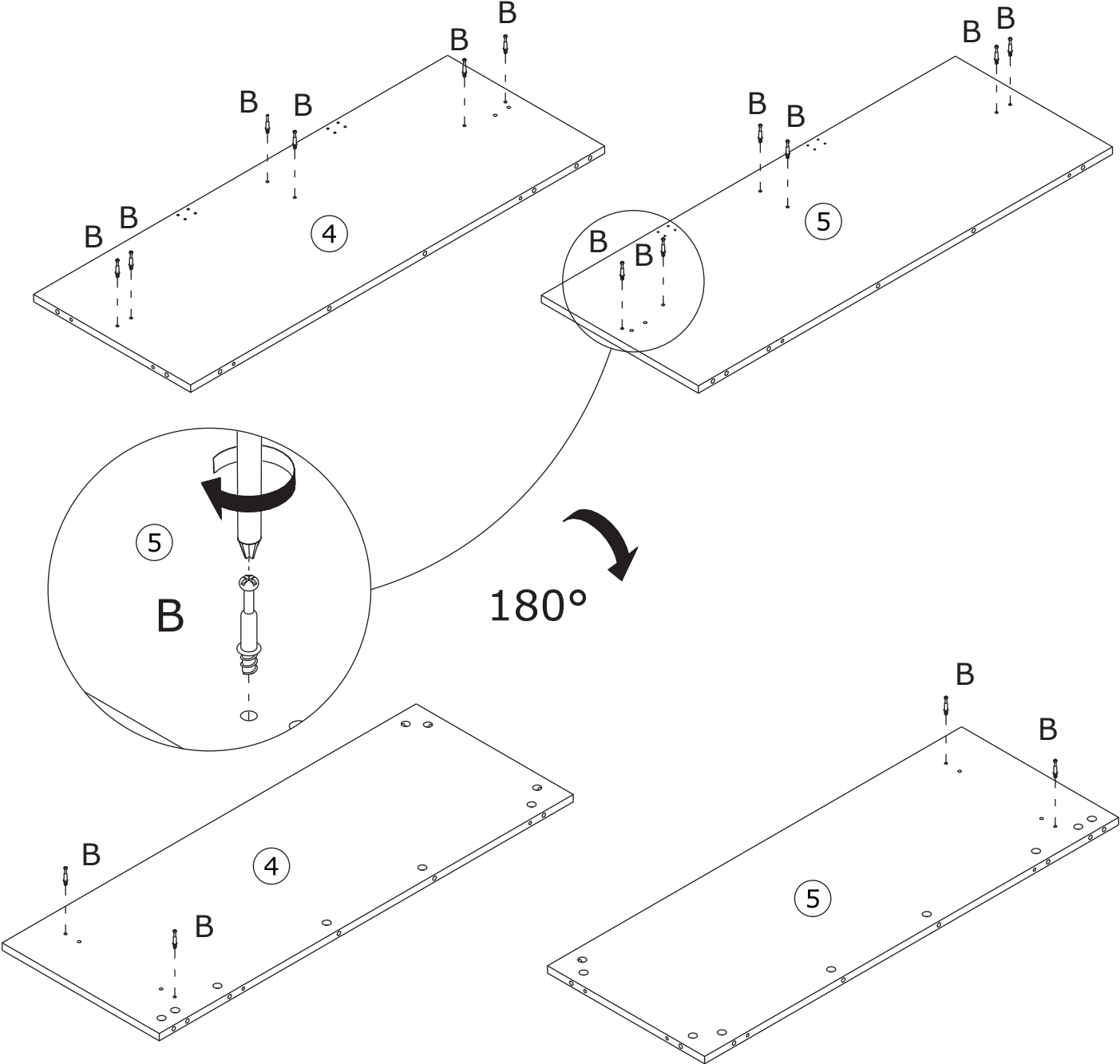


1

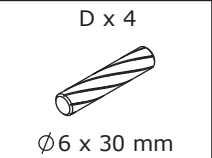
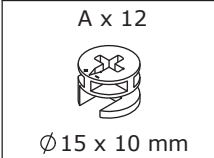


Screw eccentric rod(B) into board 4 and 5 at first.

Flip the two to back, screw eccentric rod(B) into as well.

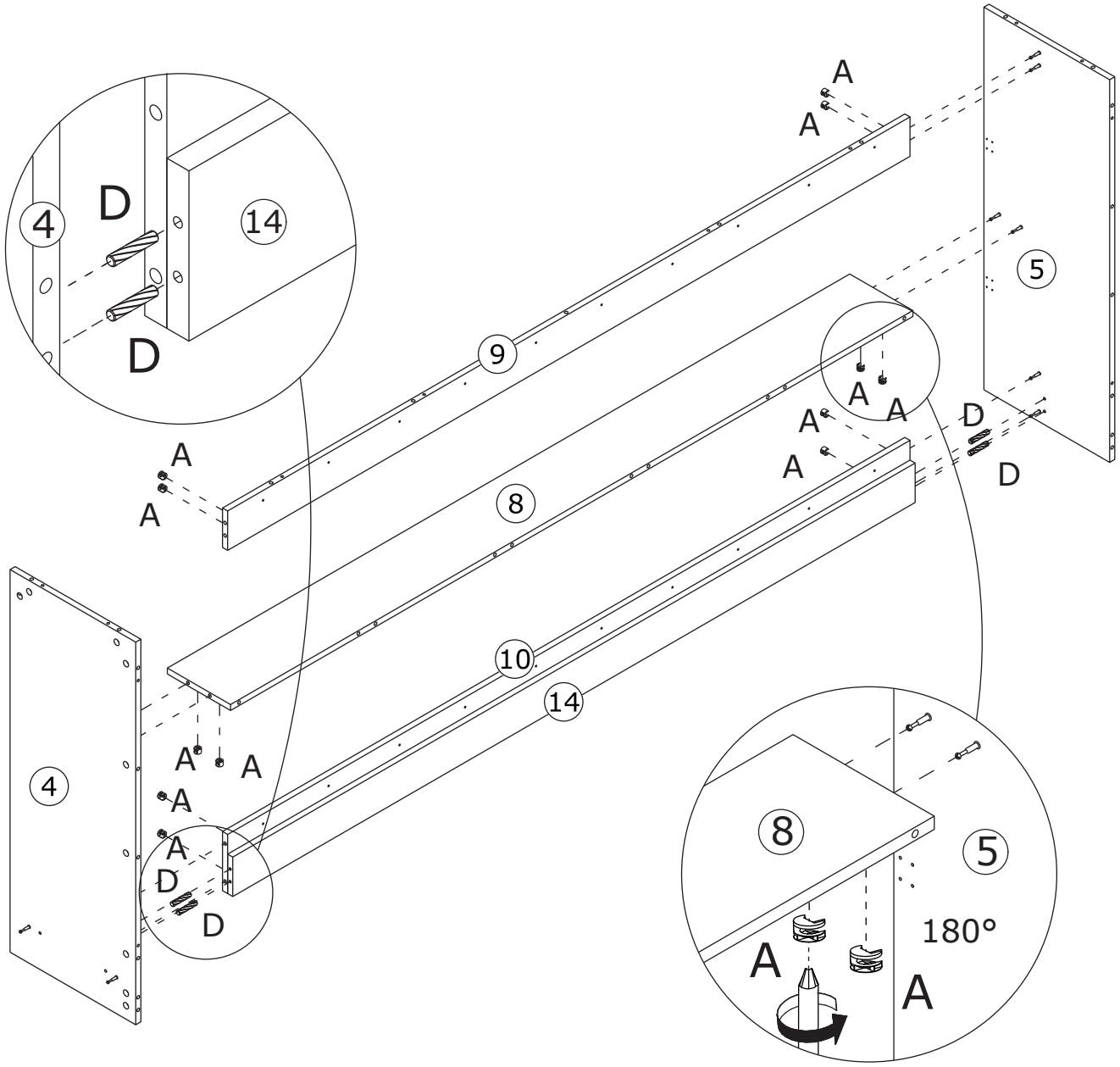
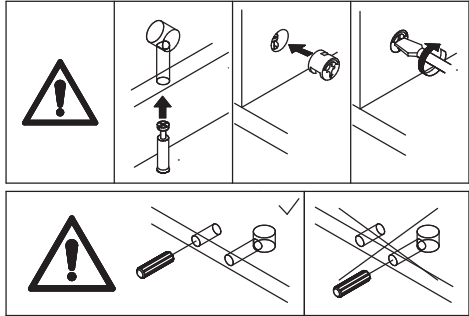


2




Insert wooden dowel(D) into board 14 at first.

Connect board 4 and 5 to board 9, 8, 10 and 14, add cam lock(A) into board 9,8,10 and turn clockwise to tighten as shown.

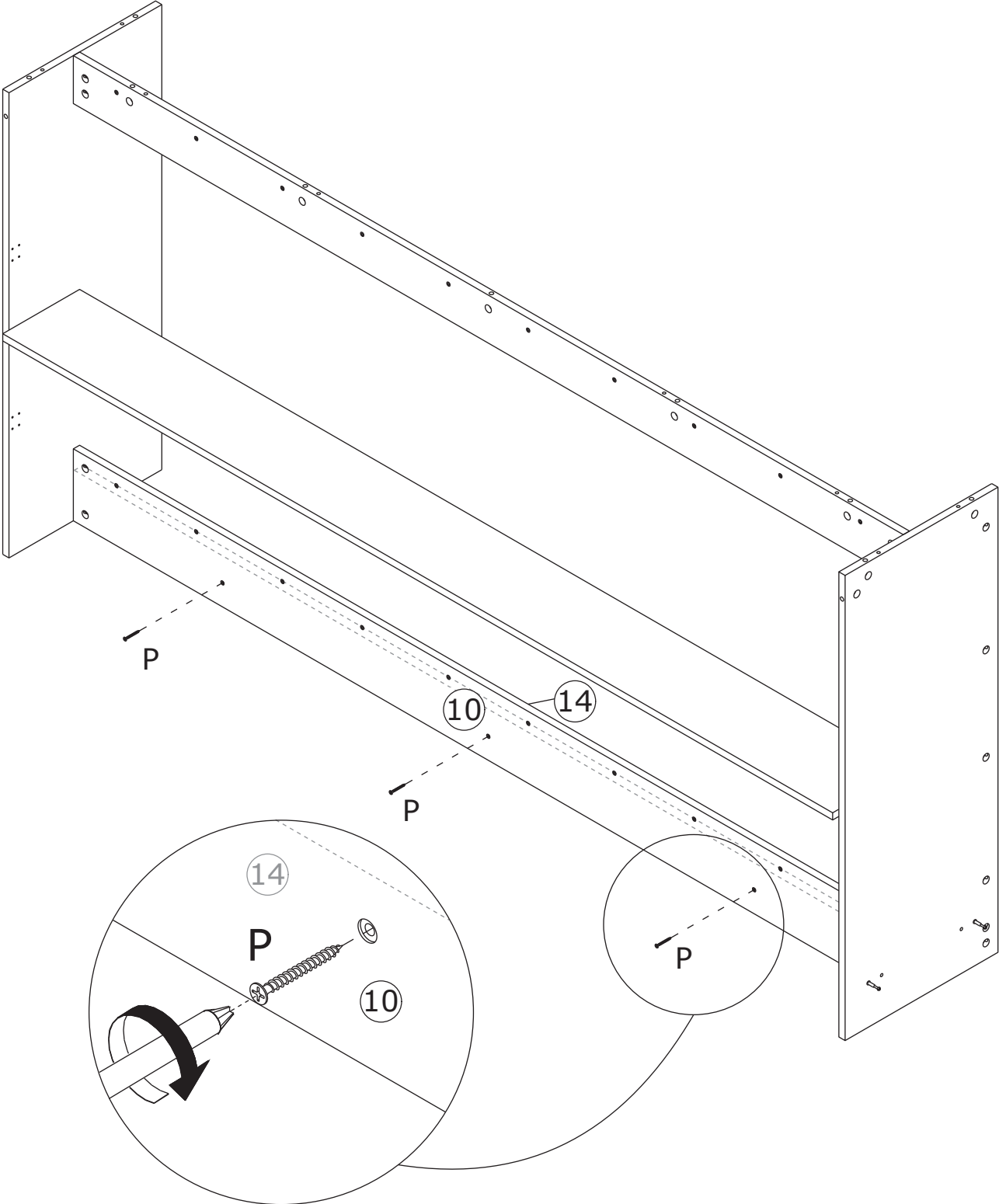


3

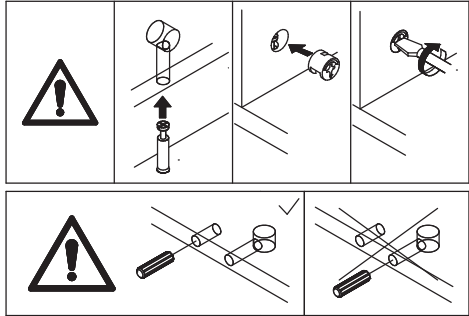
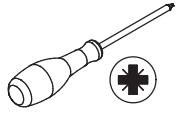
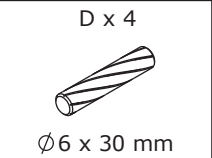
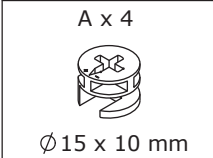
P x 3

Ø4 x 25 mm



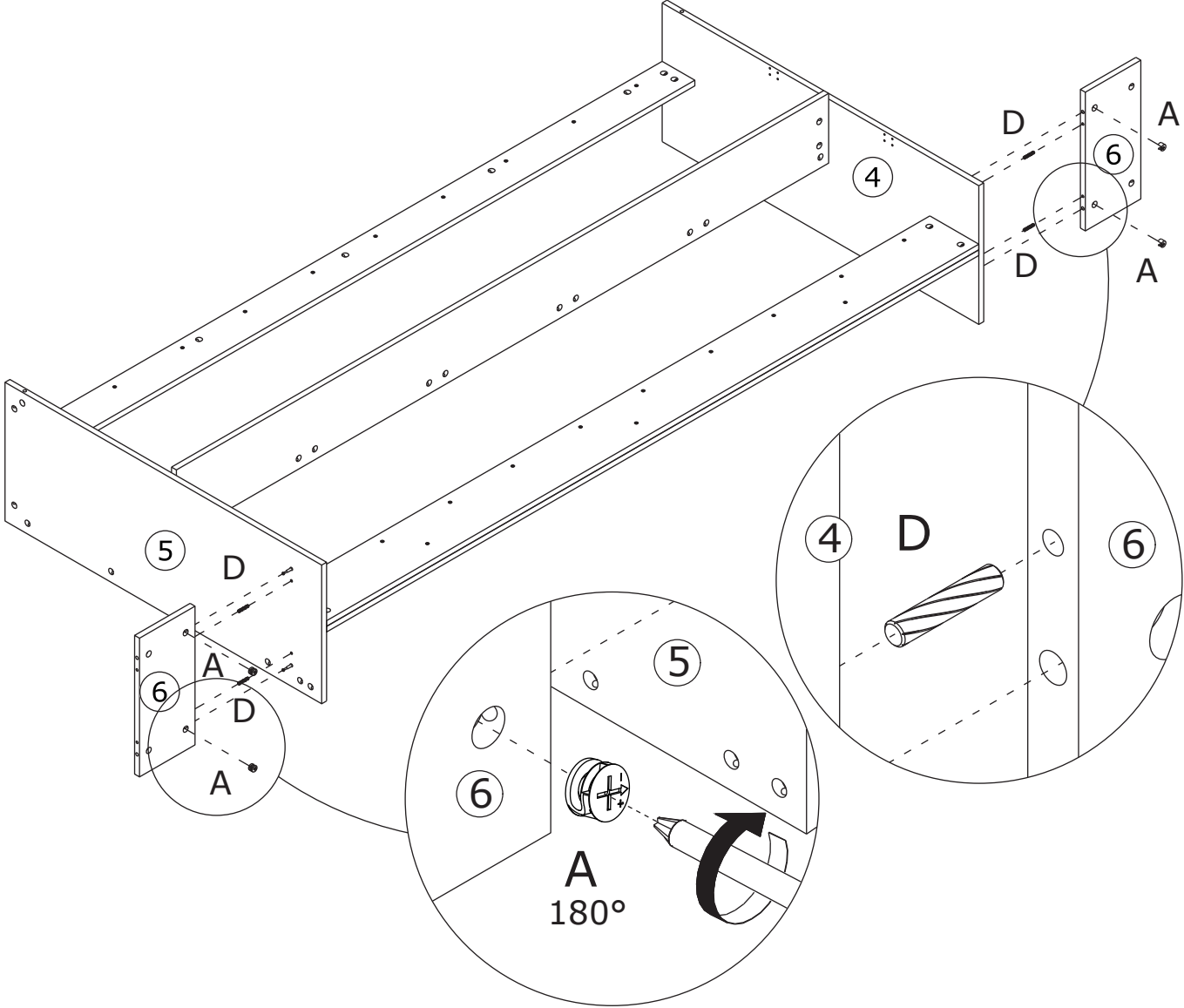
Fix board 10 to board 14 using screw(P) as shown.



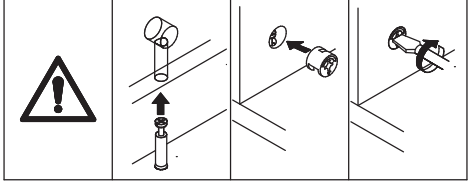
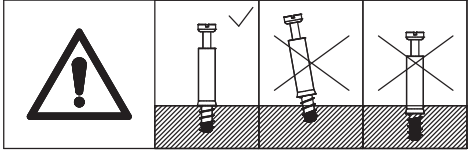
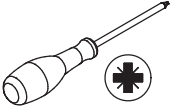
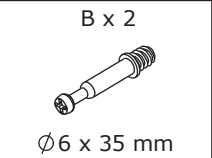
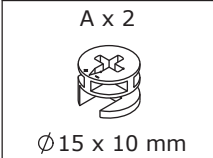
4



Attach board 6 to board 4 and 5 using wooden dowel(D), add cam lock(A) into board 6 and turn clockwise to tighten as shown.

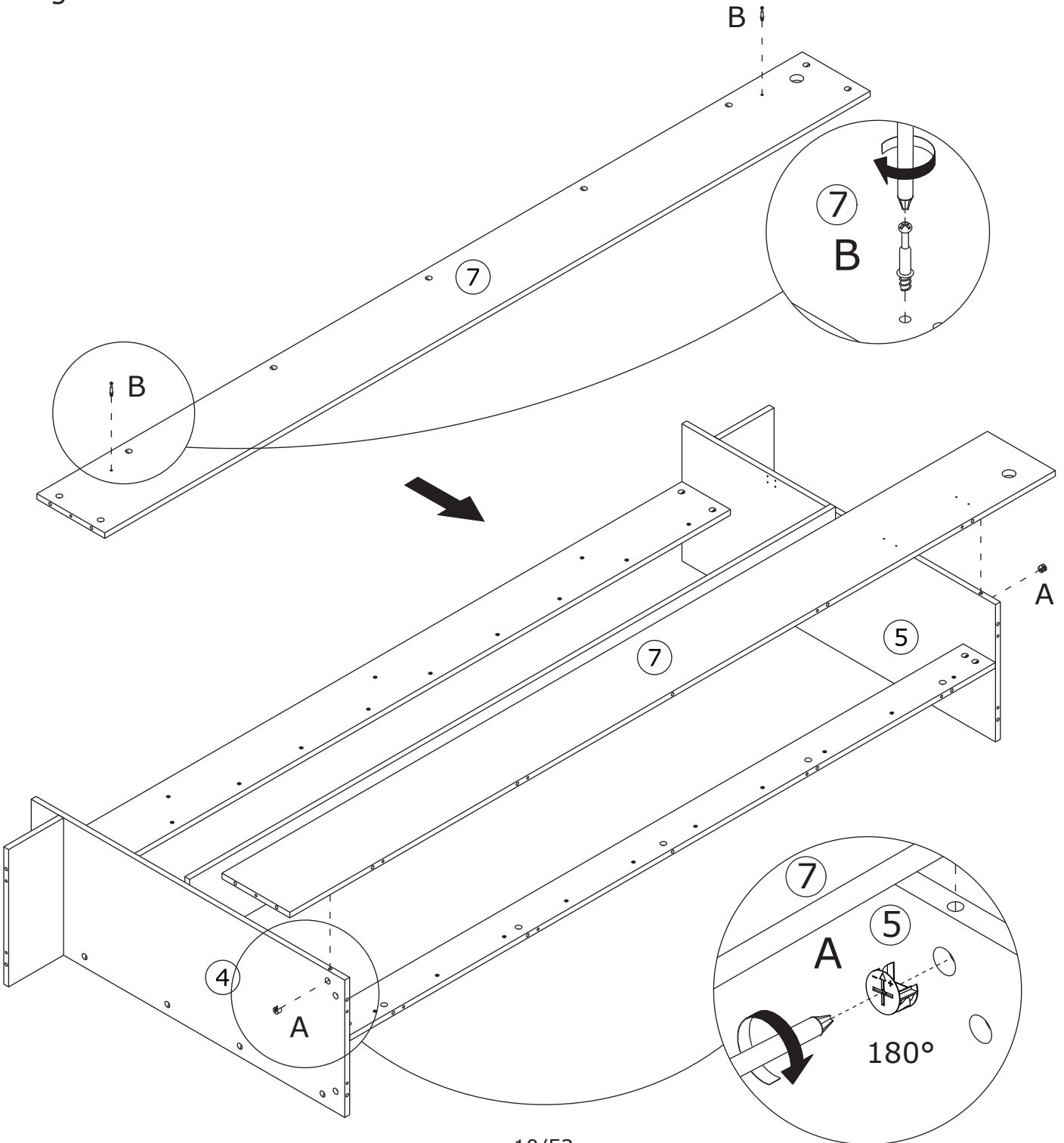


5

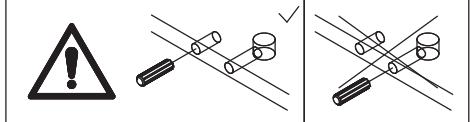
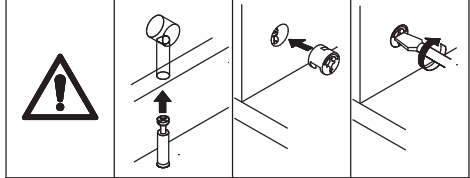
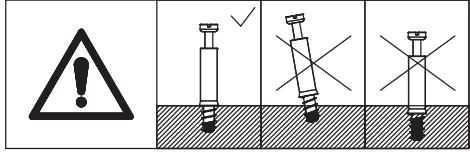
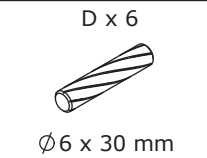
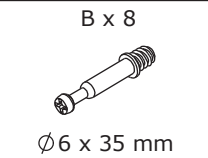
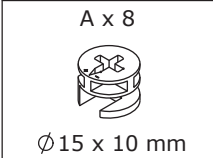


Screw eccentric rod(B) into board 7 at first.

Attach board 7 to board 4 and 5, add cam lock(A) into board 4,5 and turn clockwise to tighten as shown.

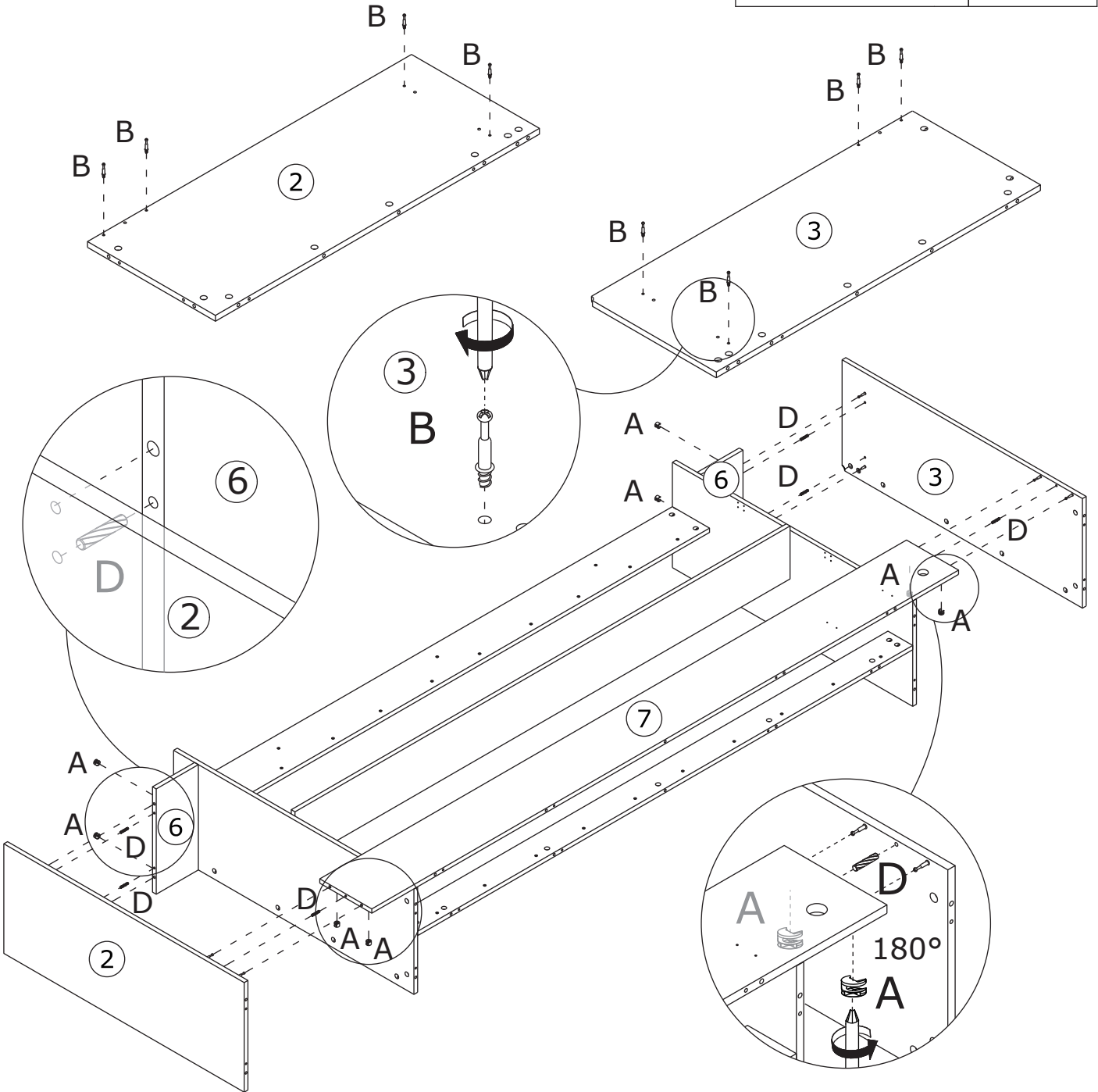


6

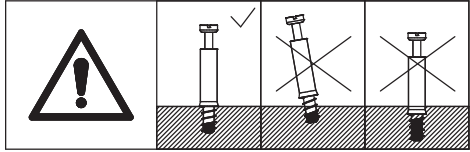
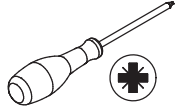
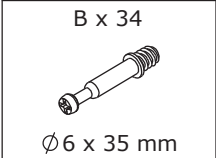


Screw eccentric rod(B) into board 2 and 3 at first.

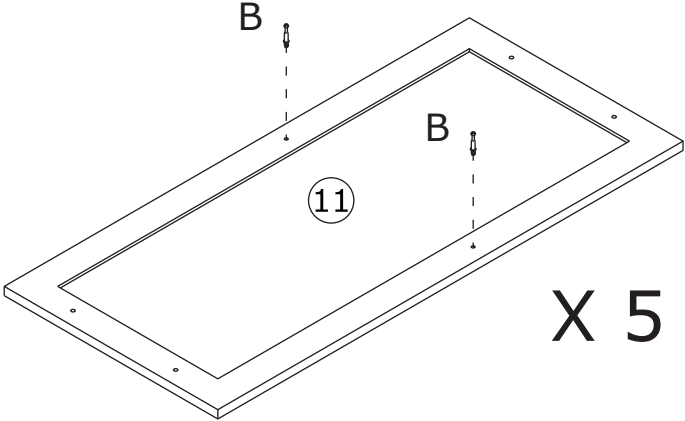
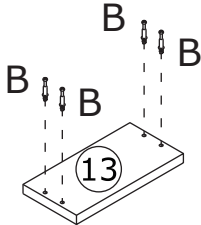
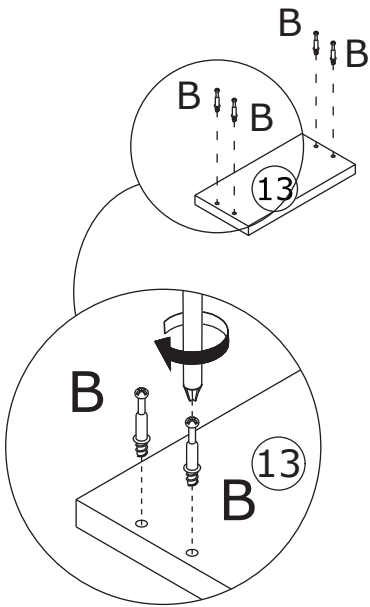
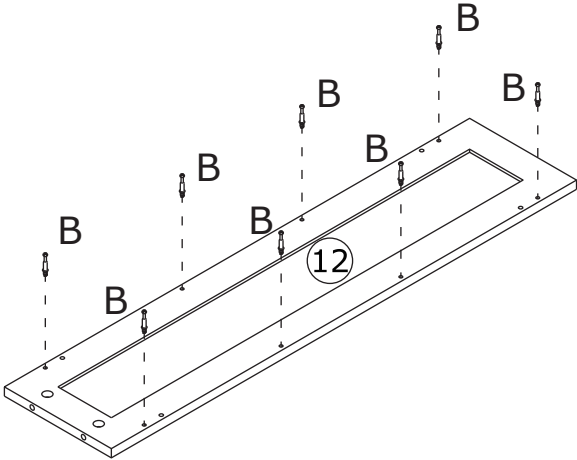
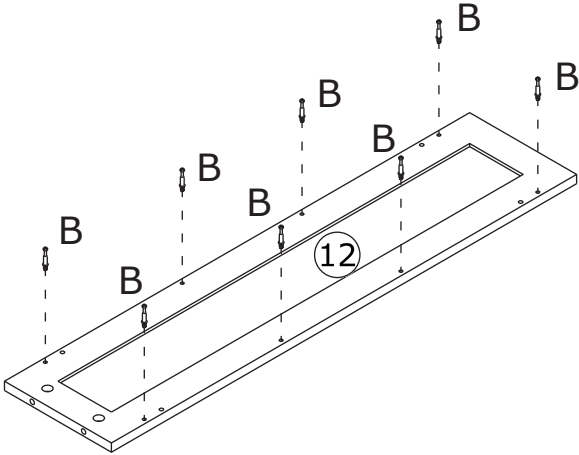
Attach board 2 and 3 to board 6 and 7 using wooden dowel(D), add cam lock(A) into board 6,7 and turn clockwise to tighten as shown.



7

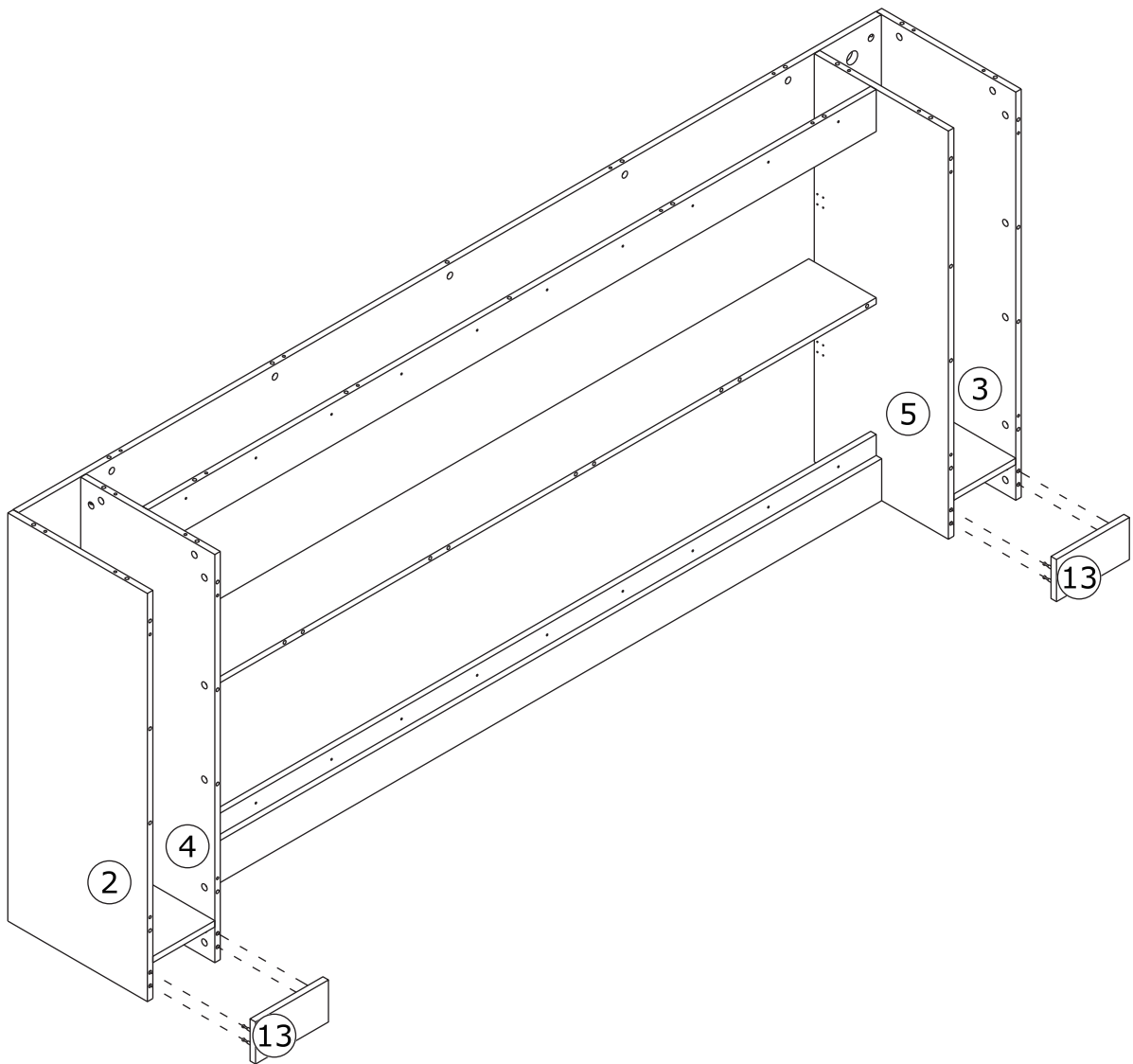


Screw eccentric rod(B) into board 12, 13 and 11 at first.

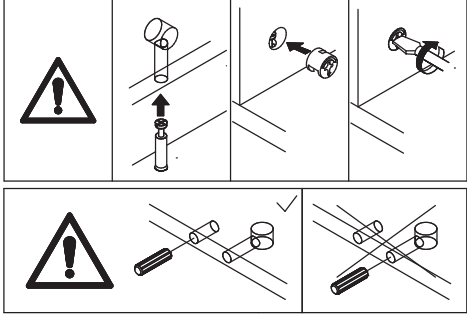
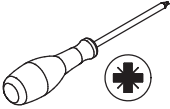
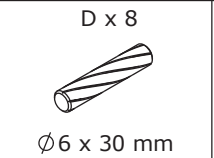
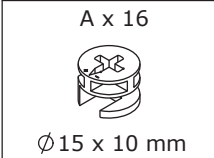


8

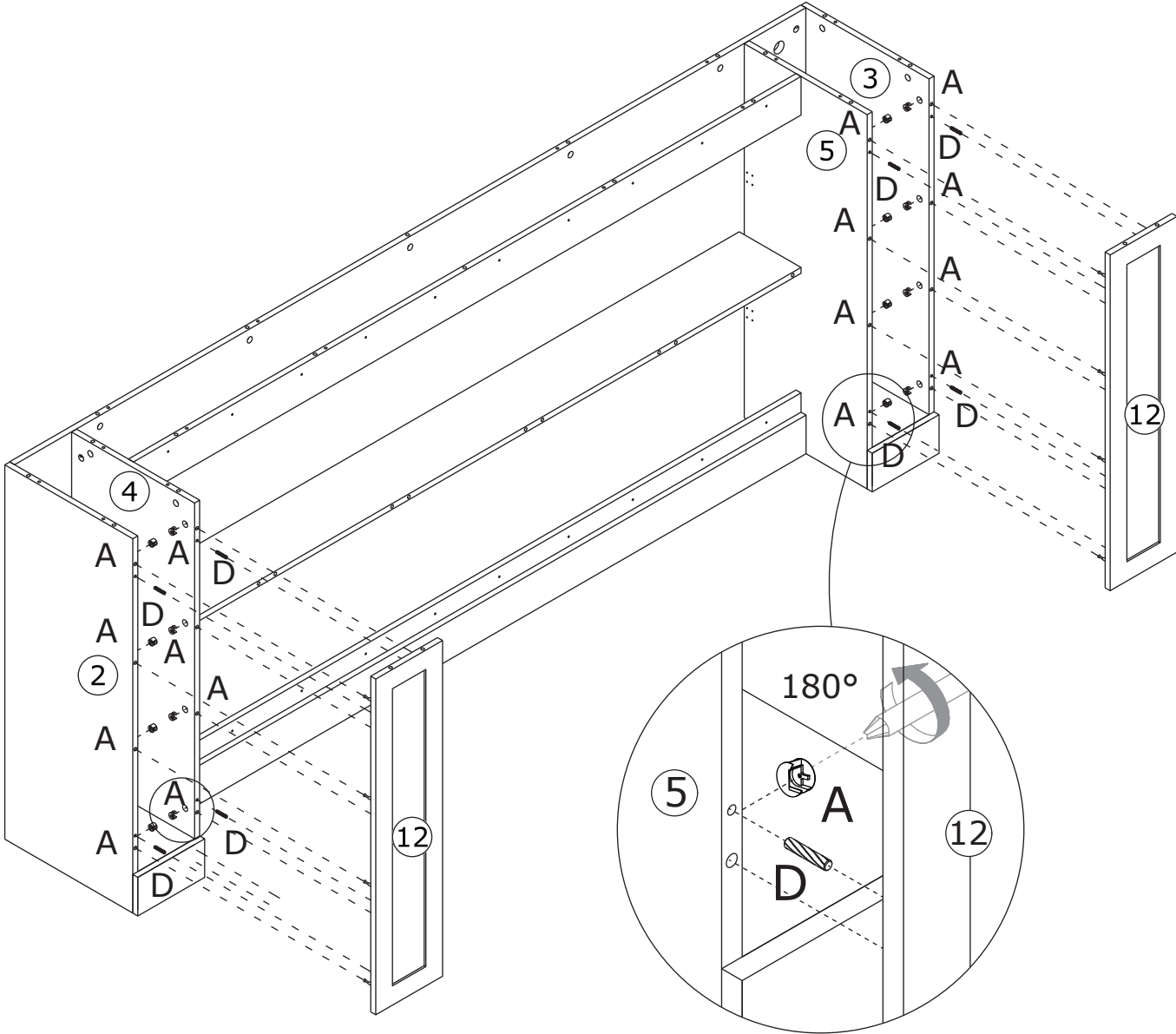
Attach board 13 to board 2, 4 and 5, 3 as shown.



9

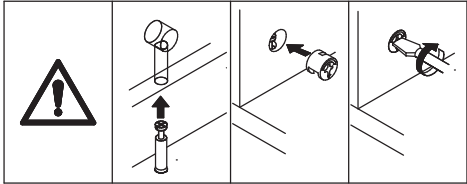


Attach board 12 to board 2, 4 and 5, 3 using wooden dowel(D),add cam lock(A) into board 2,4, 5,3 and turn clockwise to tighten as shown.

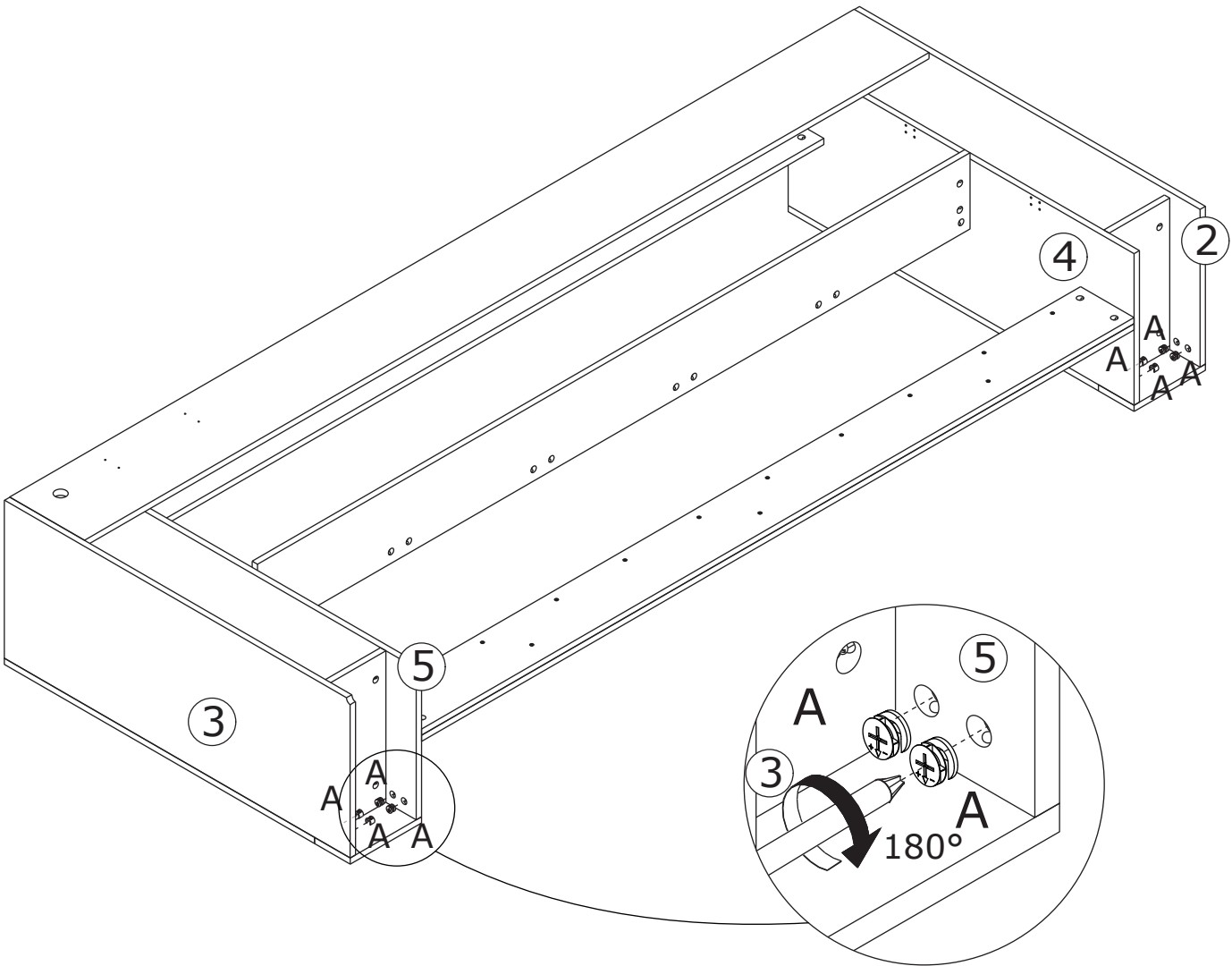


10

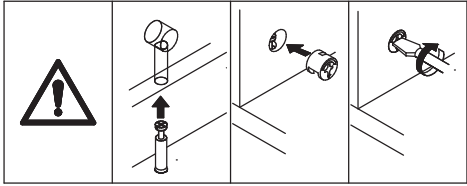
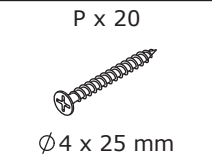
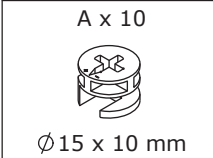
A x 8
Ø15 x 10 mm



Add cam lock(A) into board 2,4,5,3 and turn clockwise to tighten as shown.

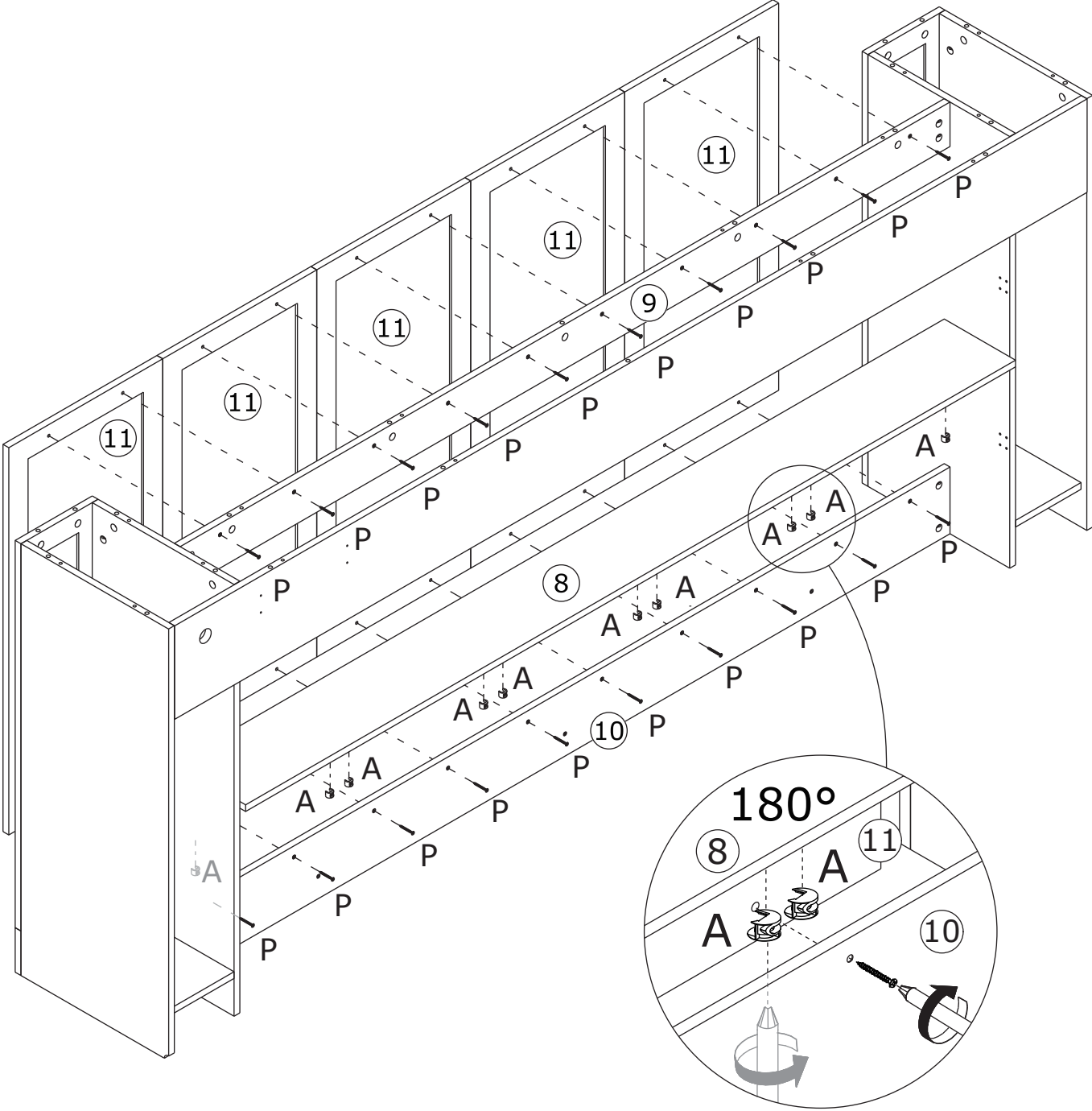


11

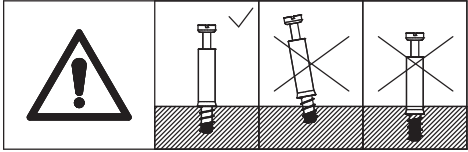
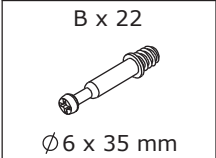


Attach board 11 to board 8, add cam lock(A) into board 8 and turn clockwise to tighten at first.

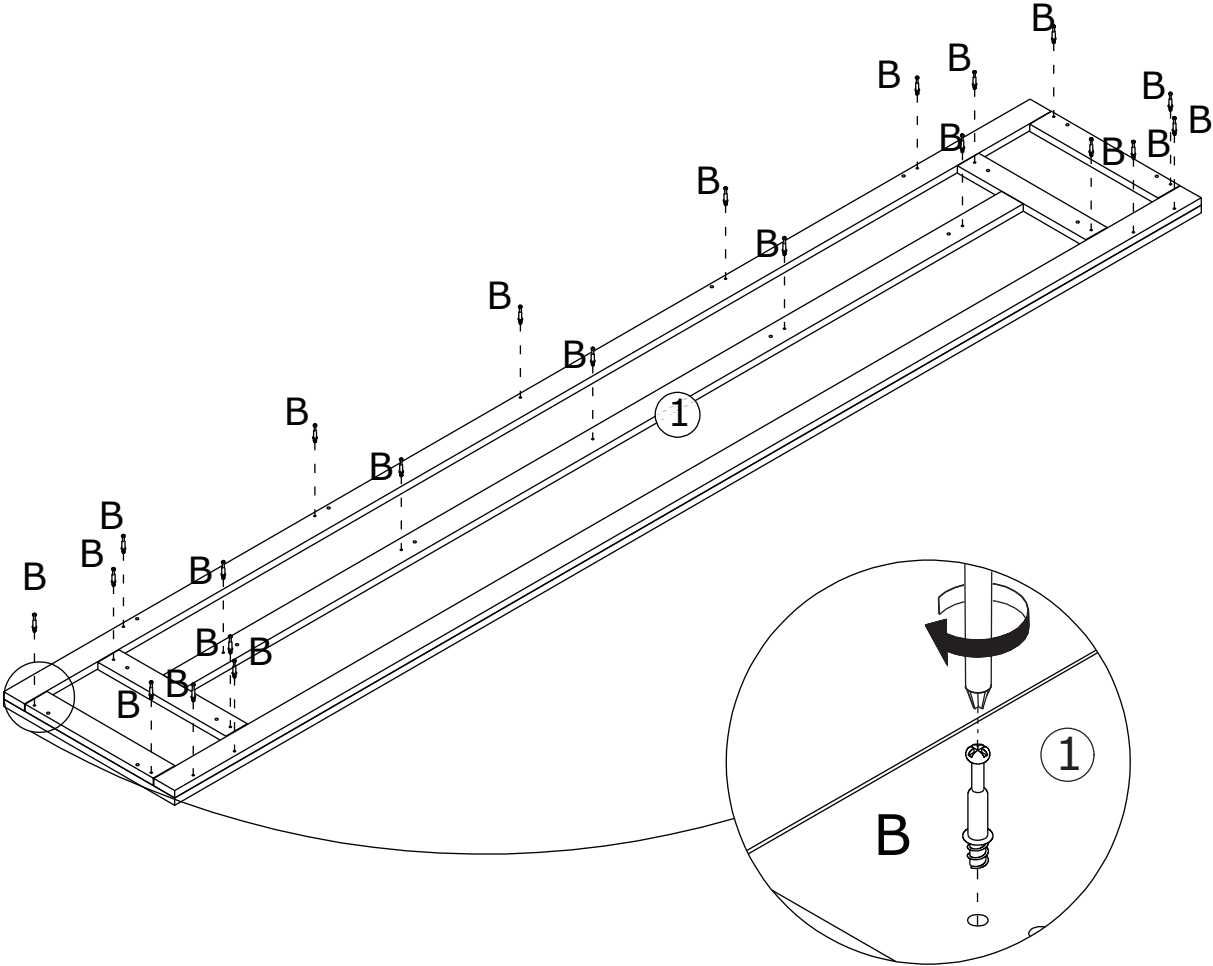
Fix board 11 to board 9 and 10 using screw(P) as shown.



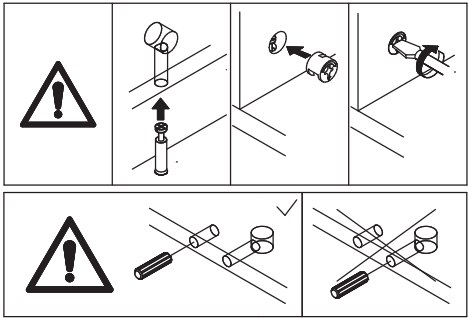
12



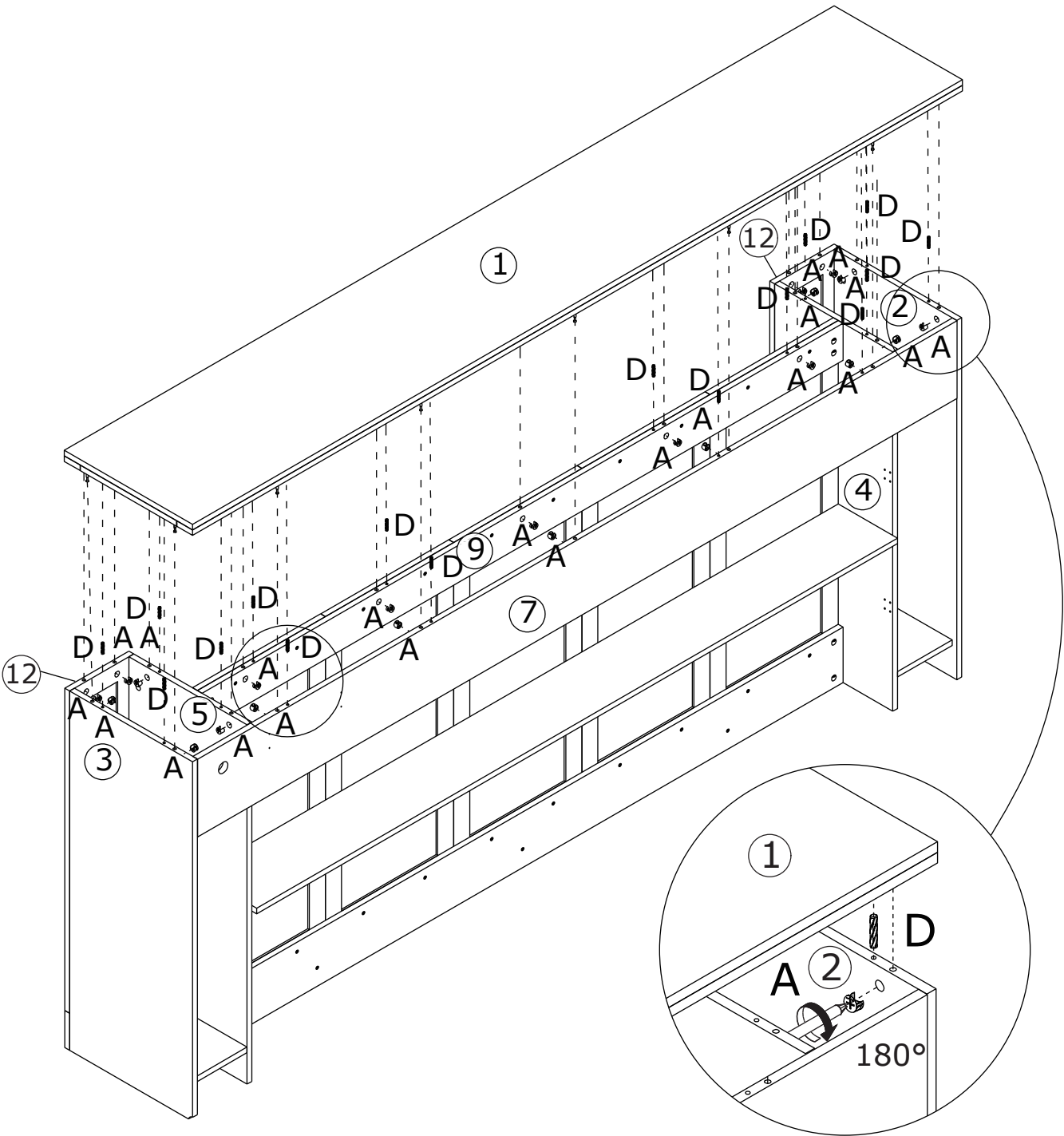
Screw eccentric rod(B) into board 1 at first.



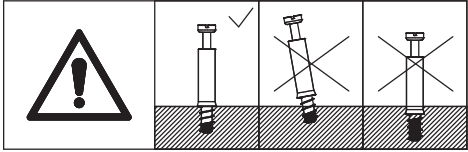
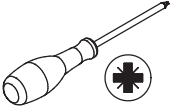
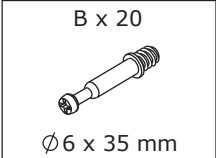
13



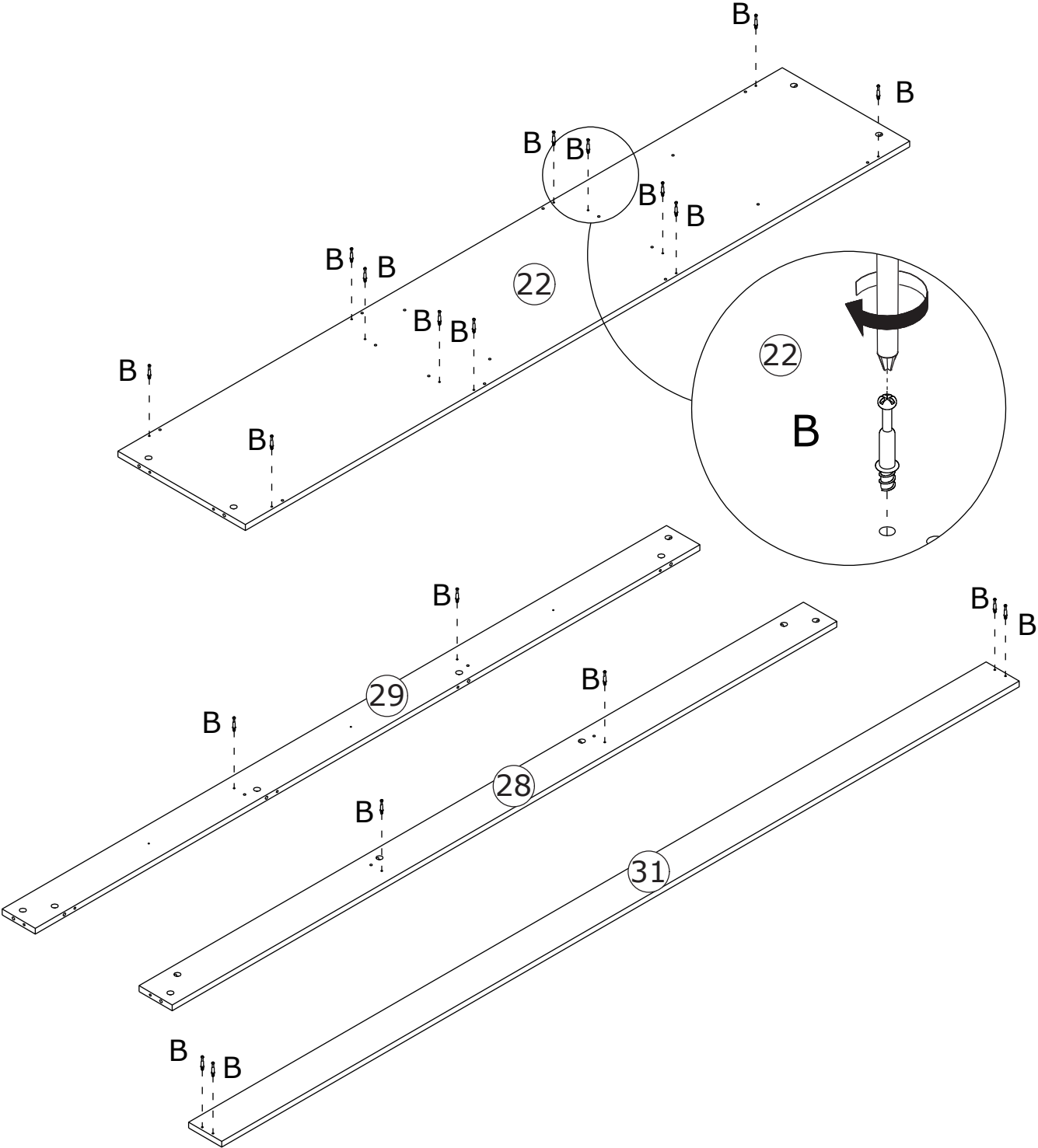
Attach board 1 to top using wooden dowel(D), add cam lock(A) into and turn clockwise to tighten as shown.



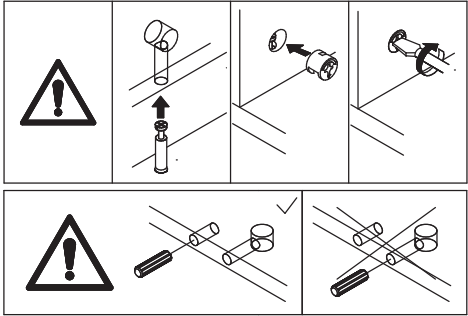
14



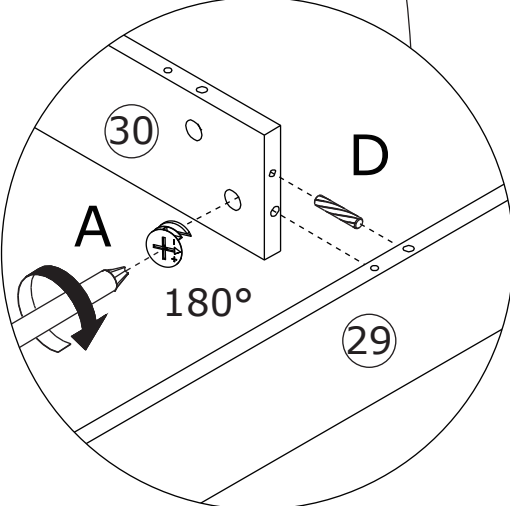
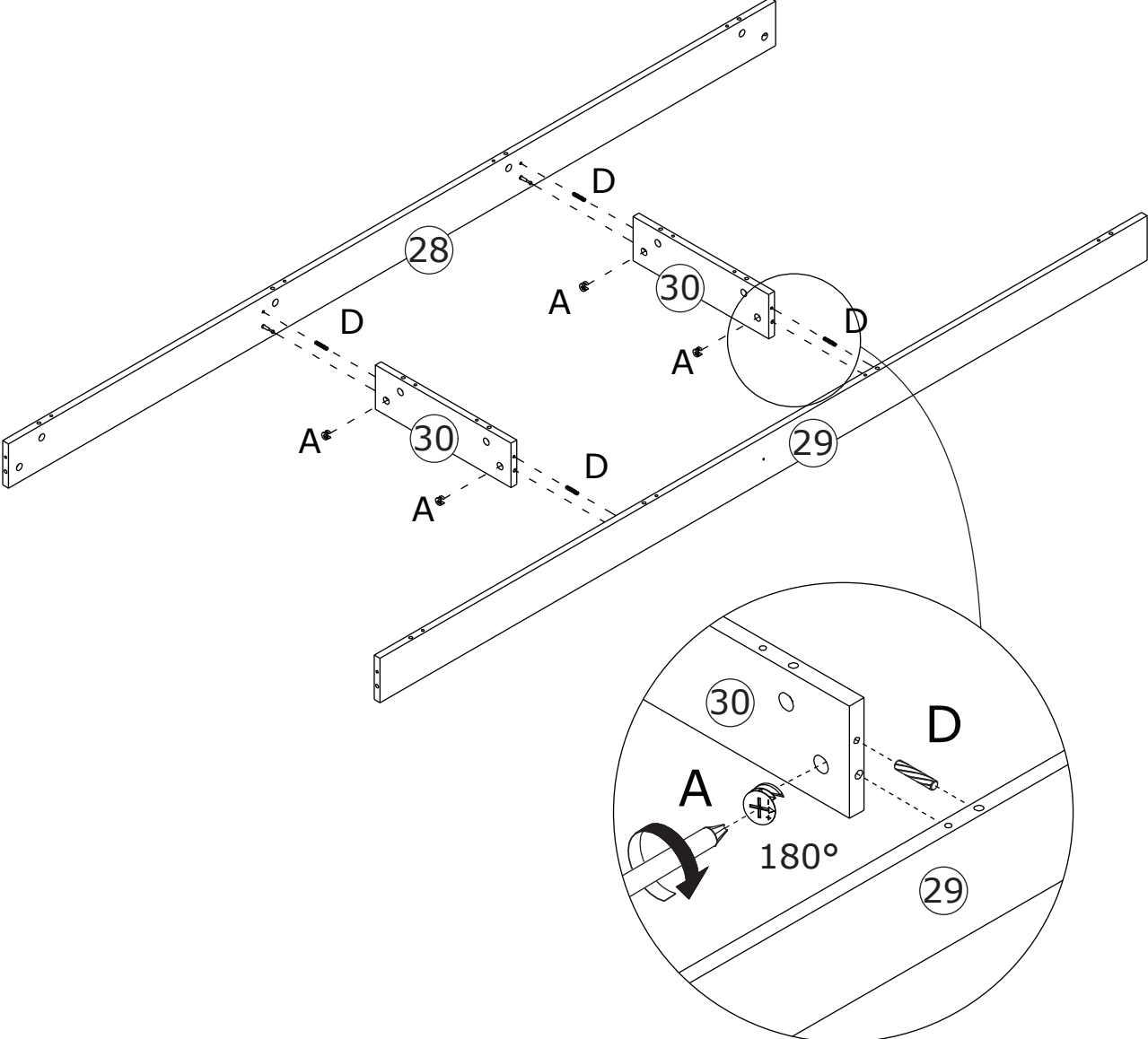
Screw eccentric rod(B) into board 22, 28, 29 and 31 at first.



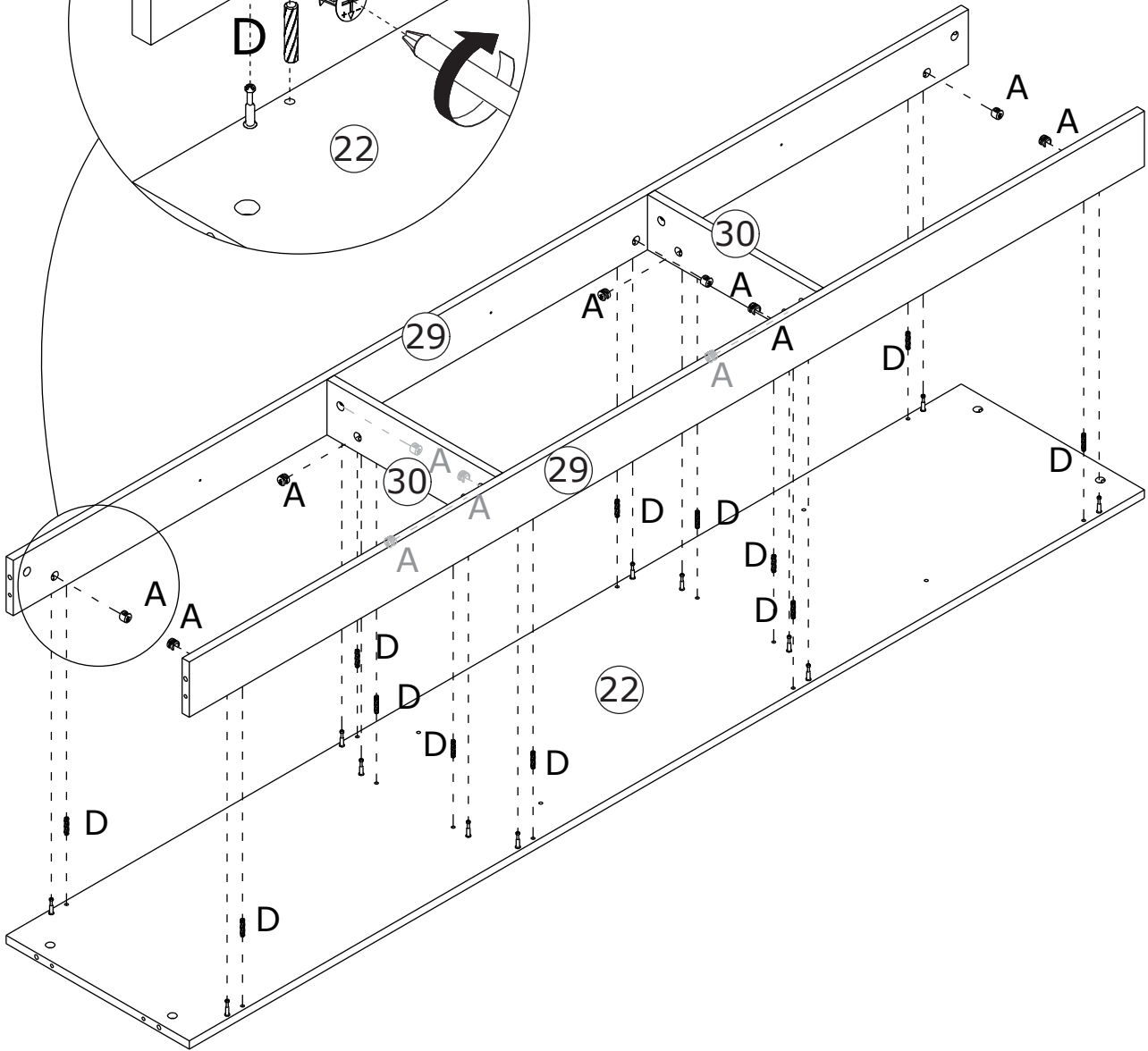
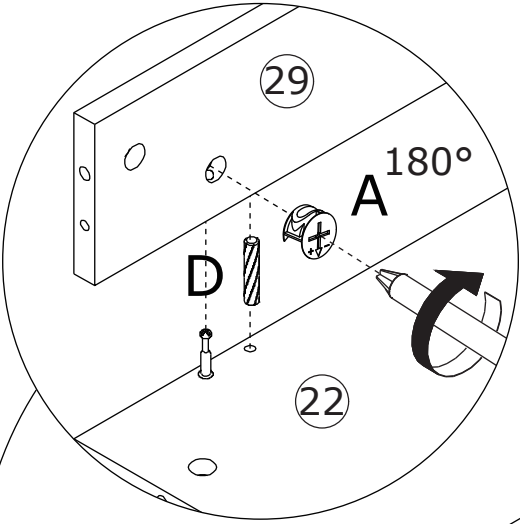
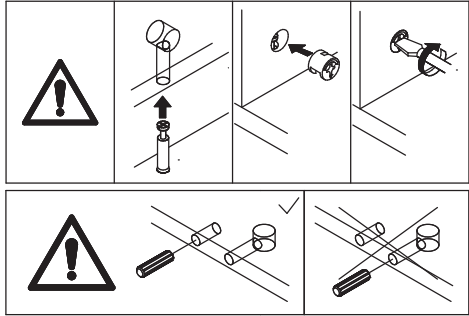
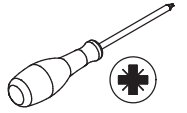
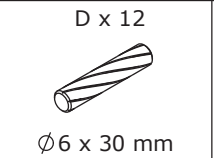
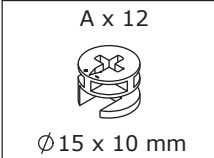
15



Connect board 30 to board 28 and 29 using wooden dowel(D), add cam lock(A) into board 30 and turn clockwise to tighten as shown.

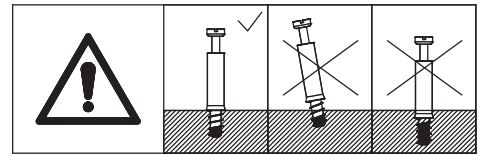
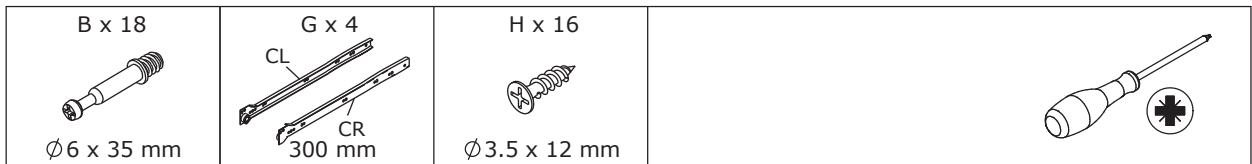


16



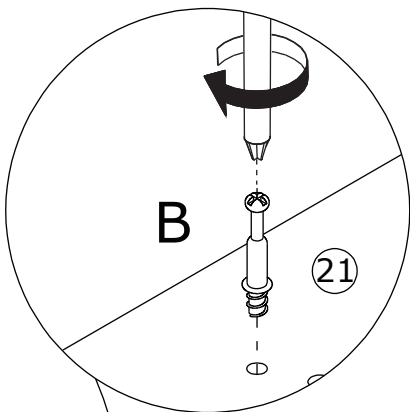
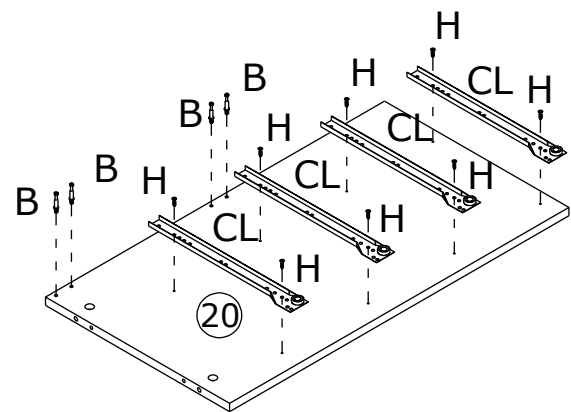
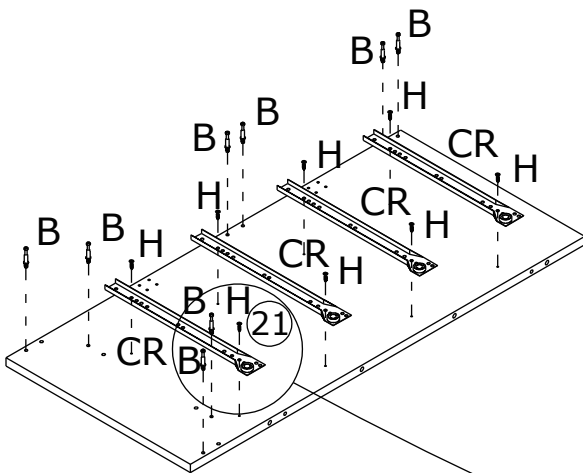
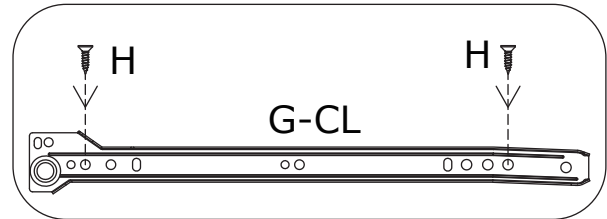
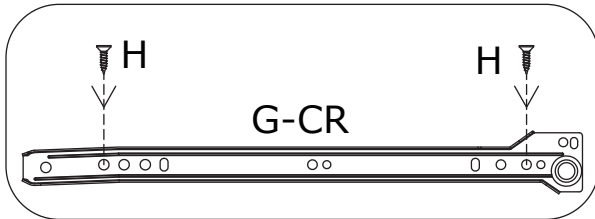
Attach board 28, 30 and 29 to board 22 using wooden dowel(D), add cam lock(A) into and turn clockwise to tighten as shown.

17

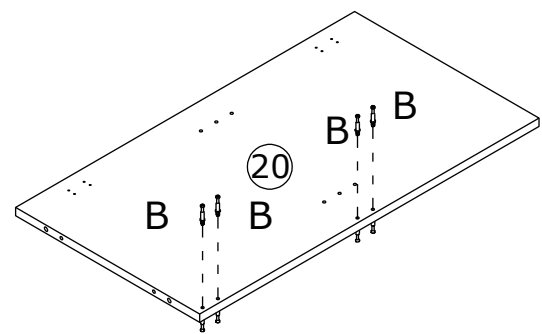
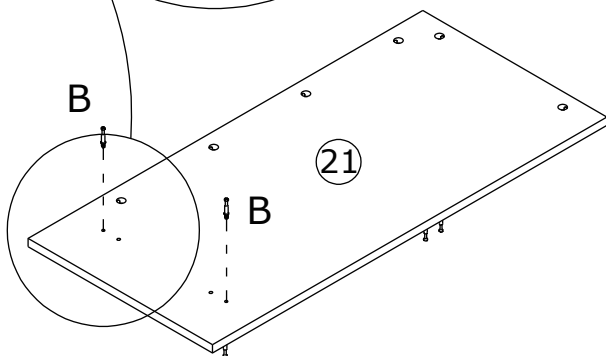
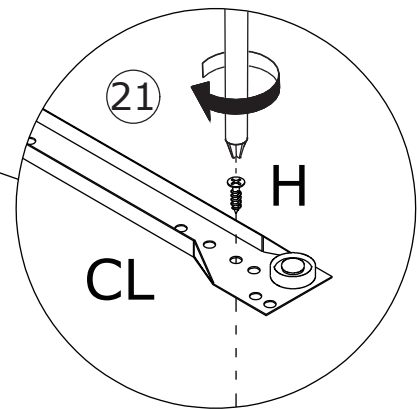


Screw eccentric rod(B) into board 20 and 21, fix rail(CL) and (CR) with screw(H) at first.

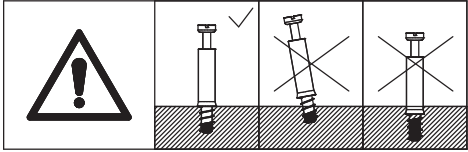
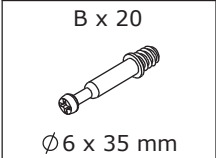
Flip the two to back, screw eccentric rod(B) into as well.



180°

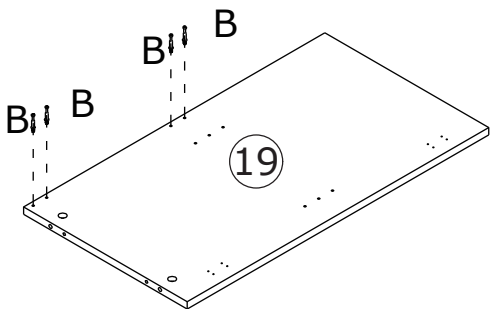
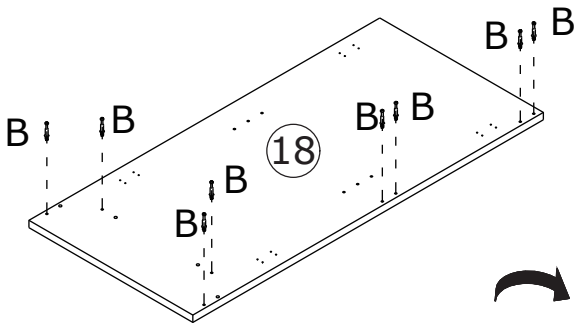
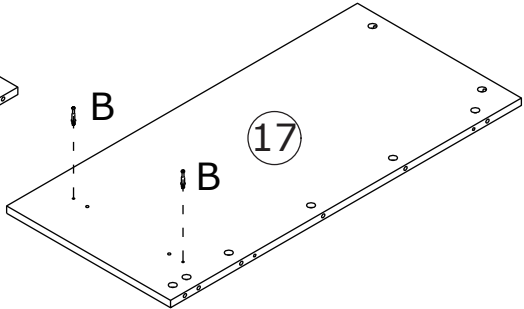
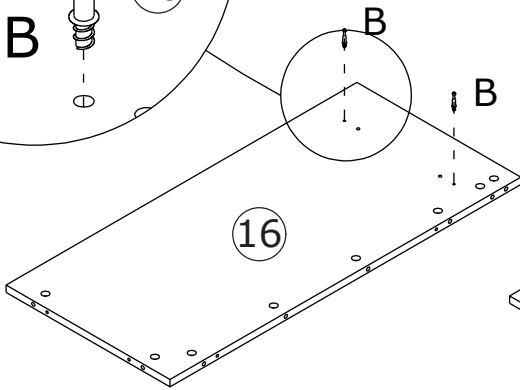
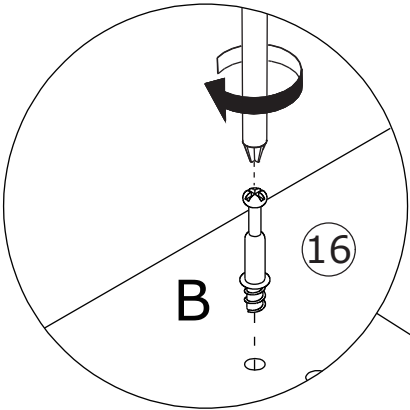


18

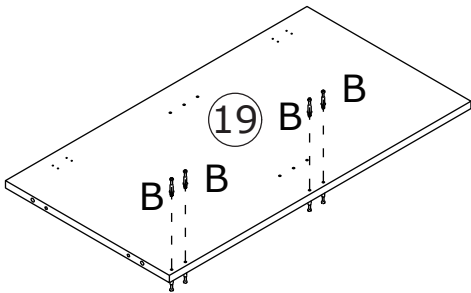
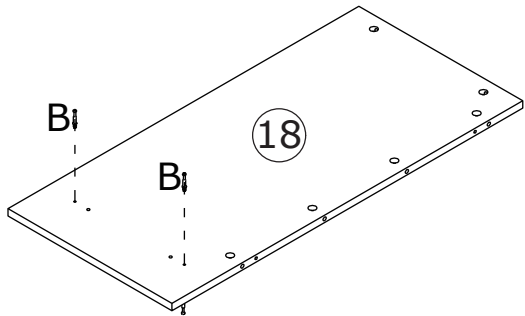


Screw eccentric rod(B) into board 16, 17, 18 and 19 at first.

Flip board 18 and 19 to back, screw eccentric rod(B) into as well.



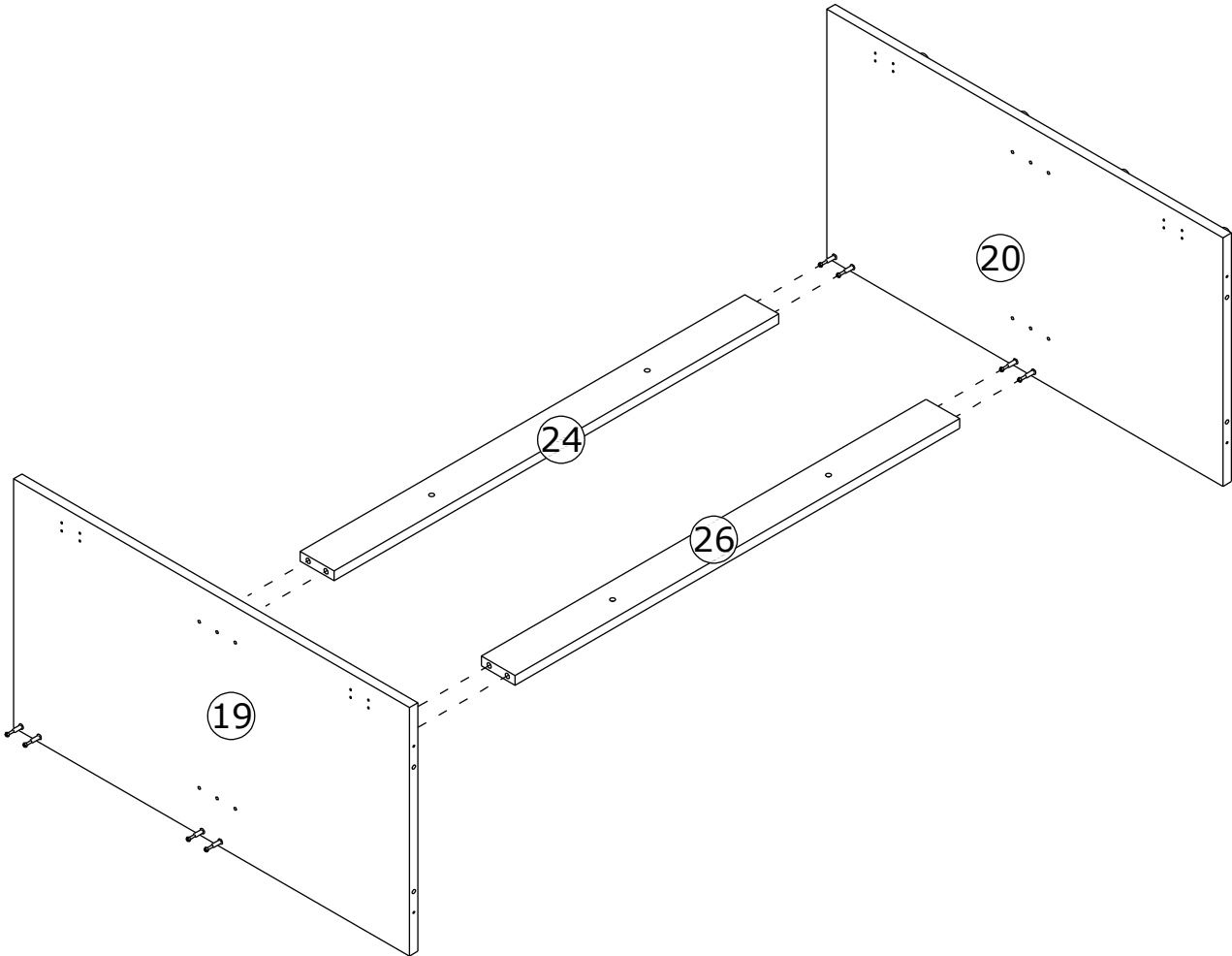
180°



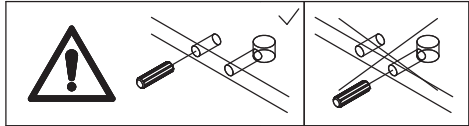
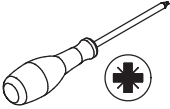
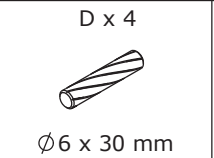
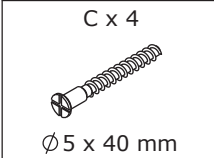
19



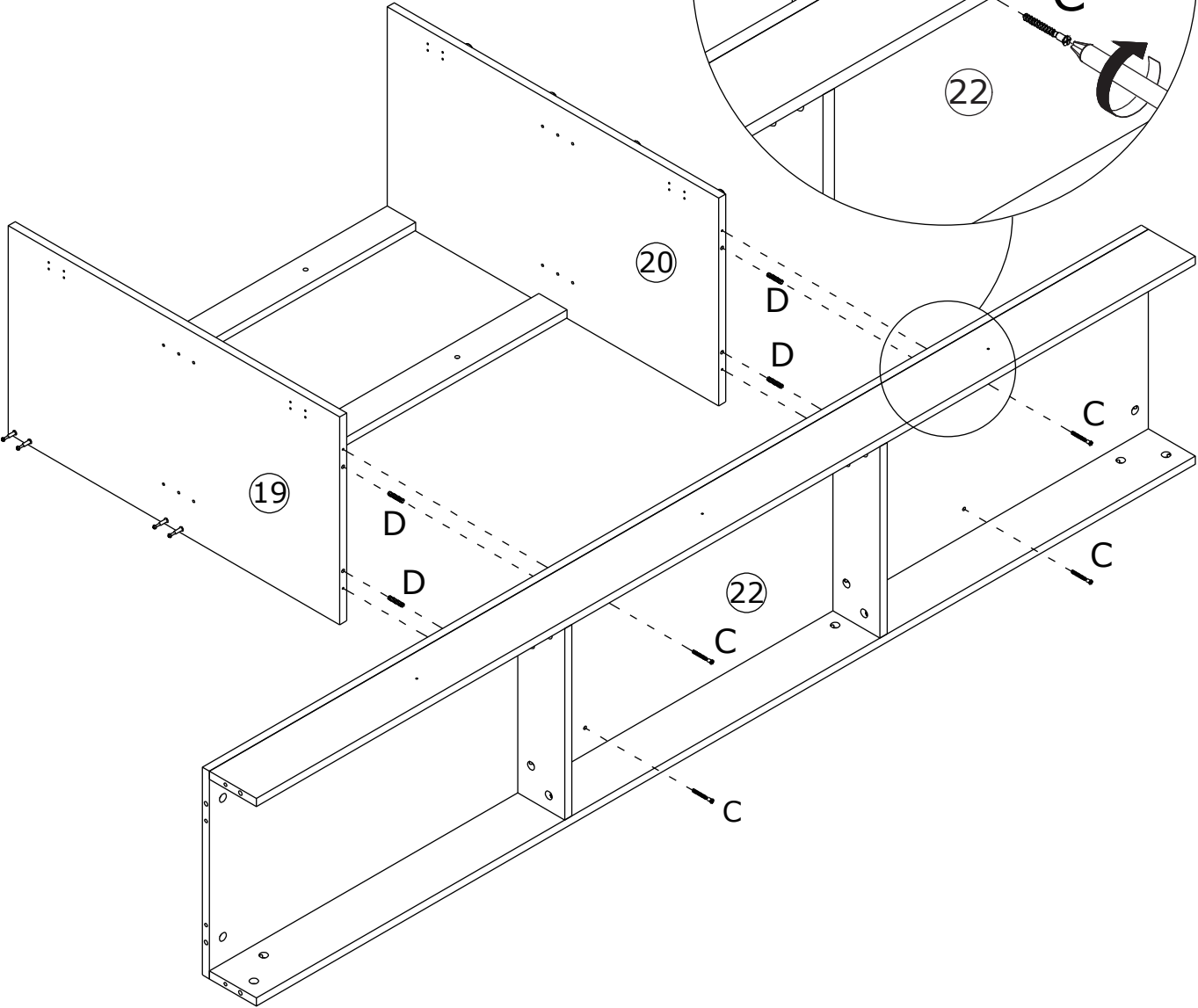
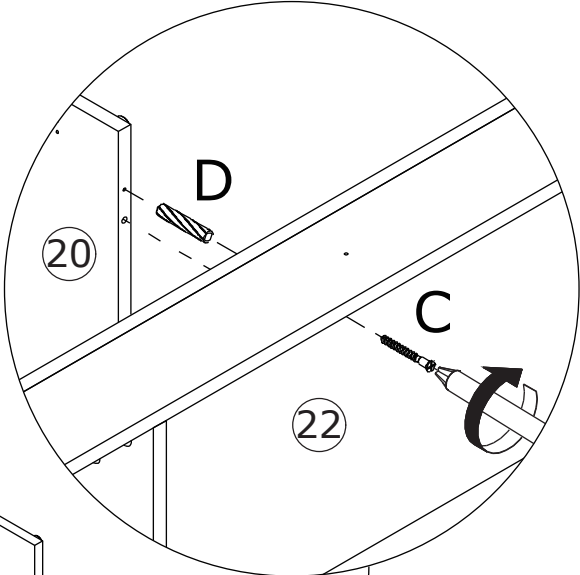
Connect board 20 and 19 to board 24 and 26 at first.



20

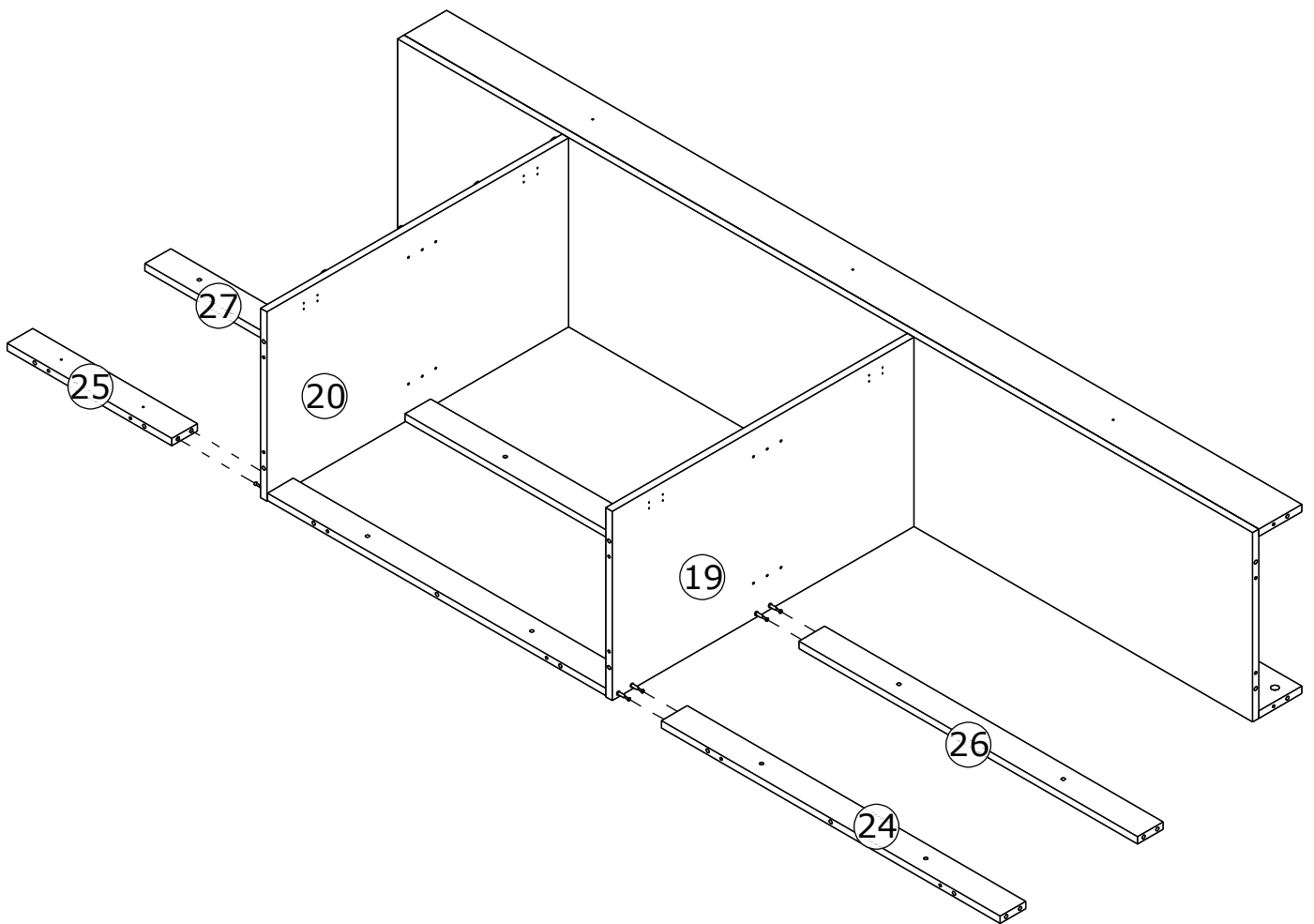


Attach board 19 and 20 to board 22 using wooden dowel(D), and fix with screw(C) as shown.

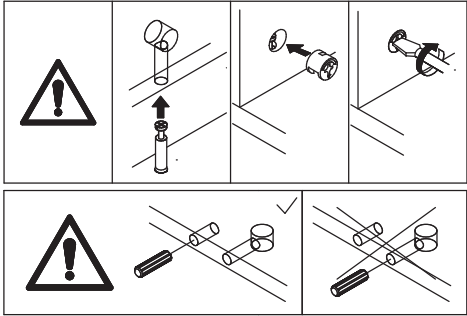
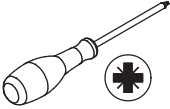
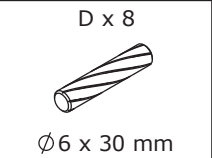
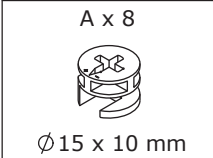


21

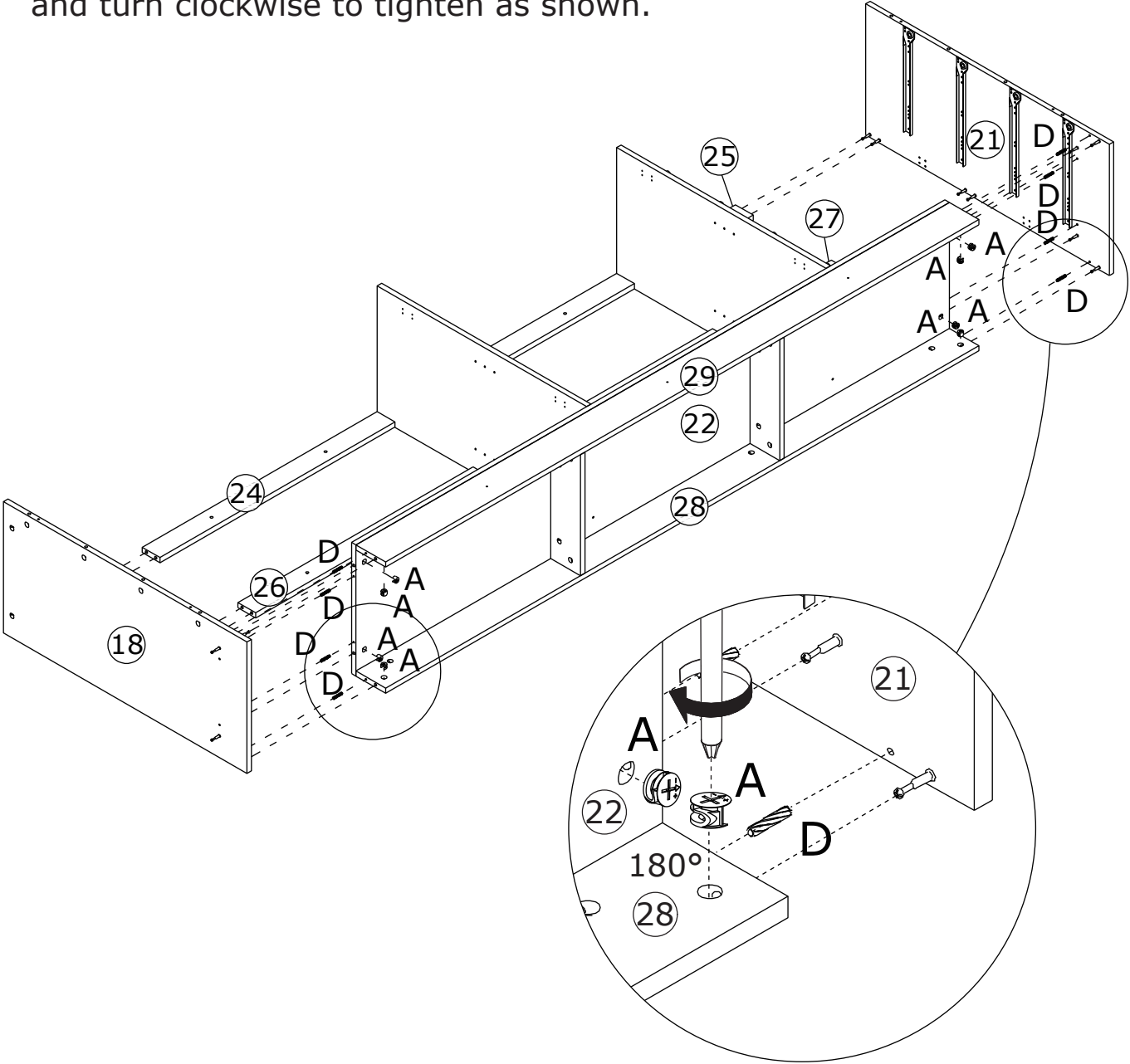
Connect board 24 and 26 to board 19,
board 25 and 27 to board 20 at first.



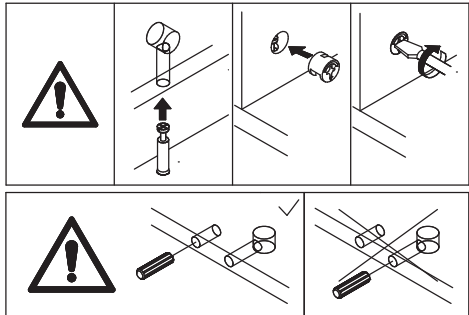
22



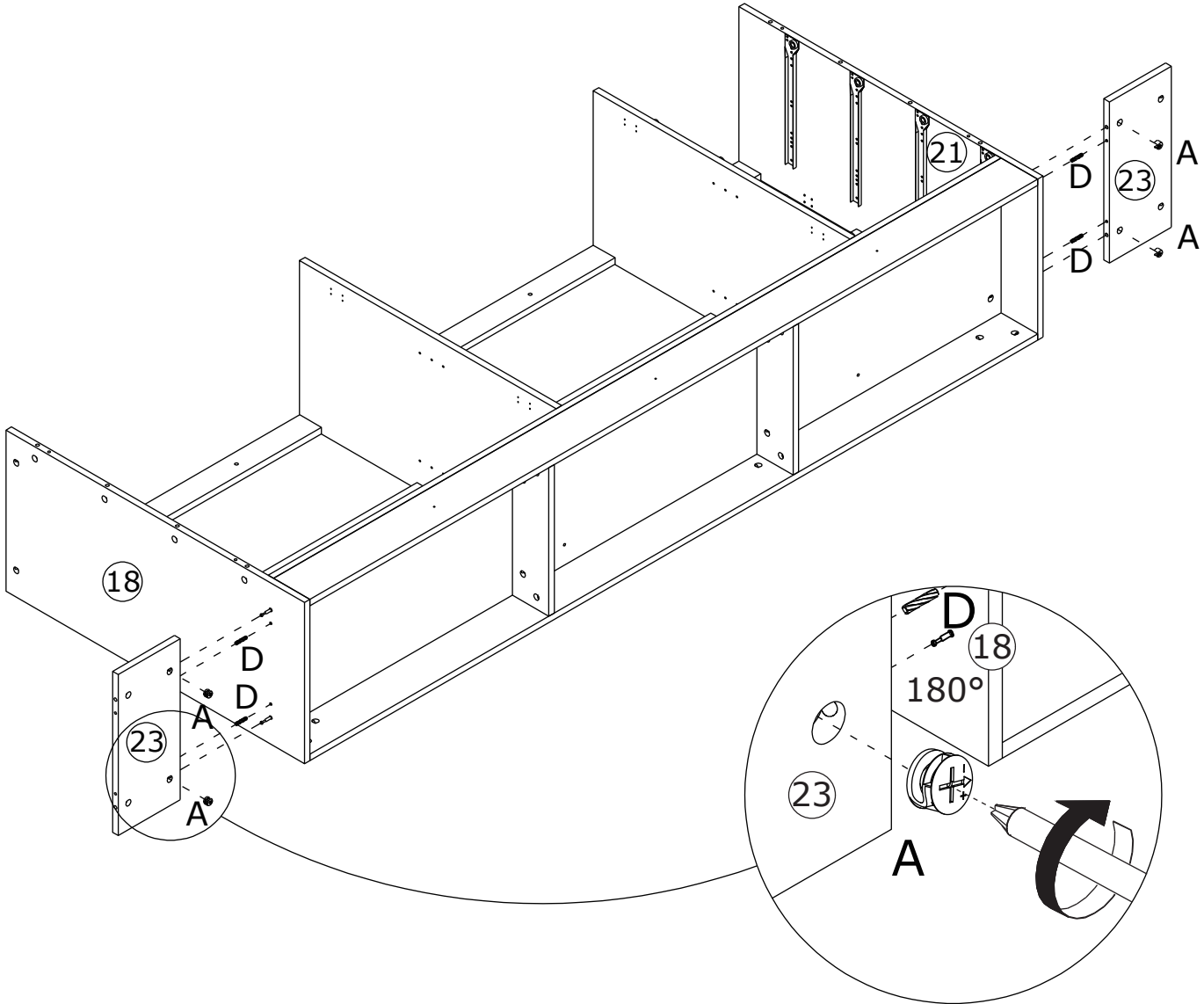
Connect board 18 and 21 to board 24, 26, 28, 22, 29, 25 and 27 using wooden dowel(D), add cam lock(A) into board 28,22,29 and turn clockwise to tighten as shown.



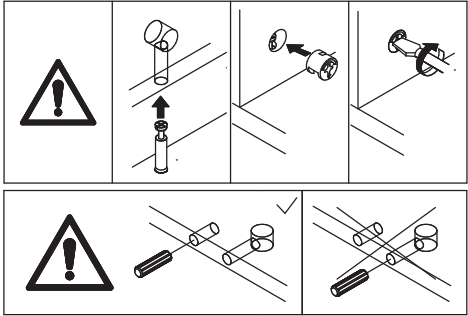
23



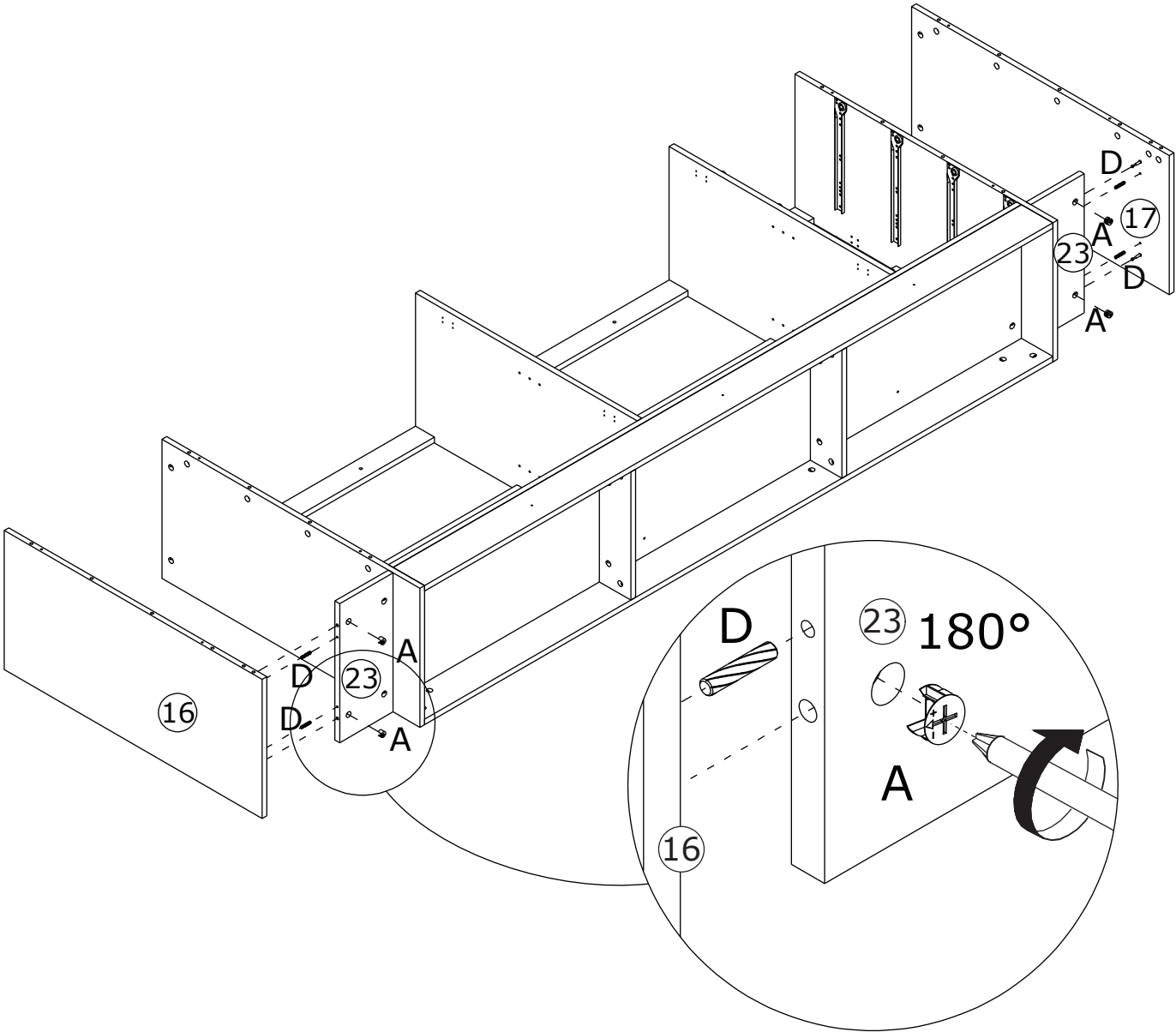
Attach board 23 to board 18 and 21 using wooden dowel(D), add cam lock(A) into board 23 and turn clockwise to tighten as shown.



24



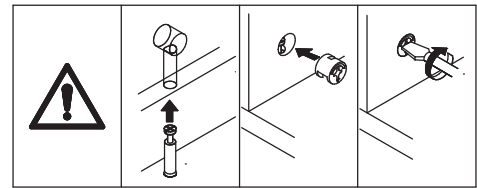
Attach board 16 and 17 to board 23 using wooden dowel(D), add cam lock(A) into board 23 and turn clockwise to tighten as shown.



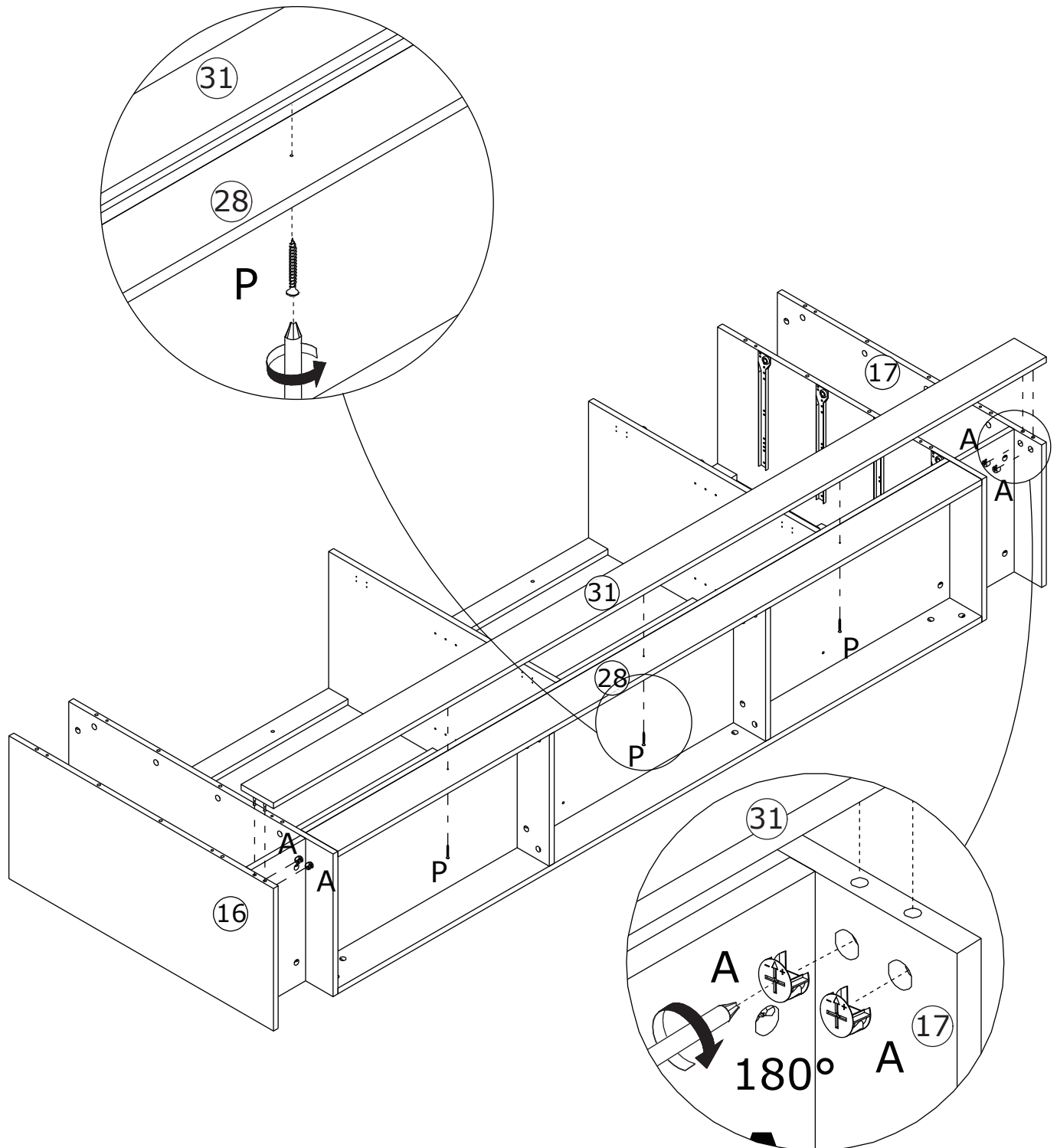
25




Attach board 31 to board 16 and 17, add cam lock(A) into board 16,17 and turn clockwise to tighten as shown.

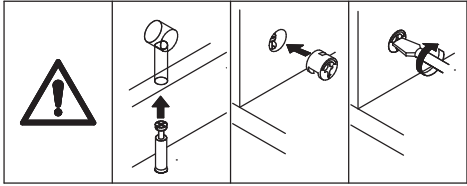
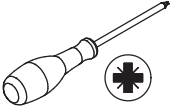


Fix board 31 to board 28 using screw(P) as shown.

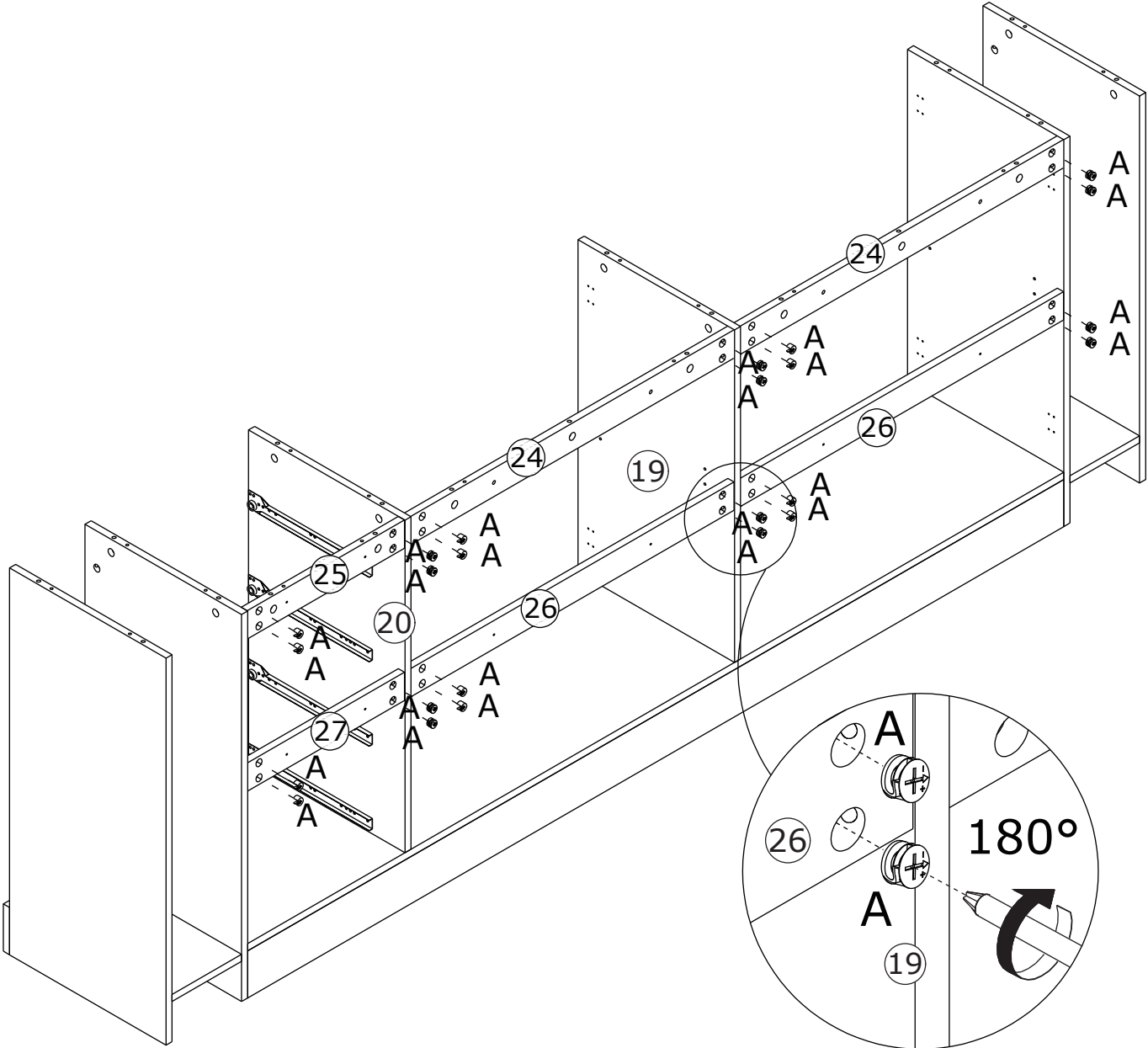


26

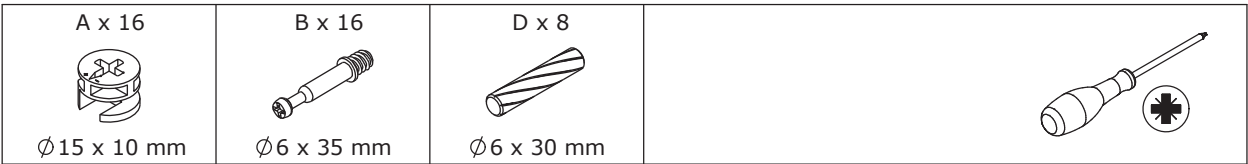
A x 24

Ø15 x 10 mm



Add cam lock(A) into board 25, 24, 27, 26 and turn clockwise to tighten as shown.

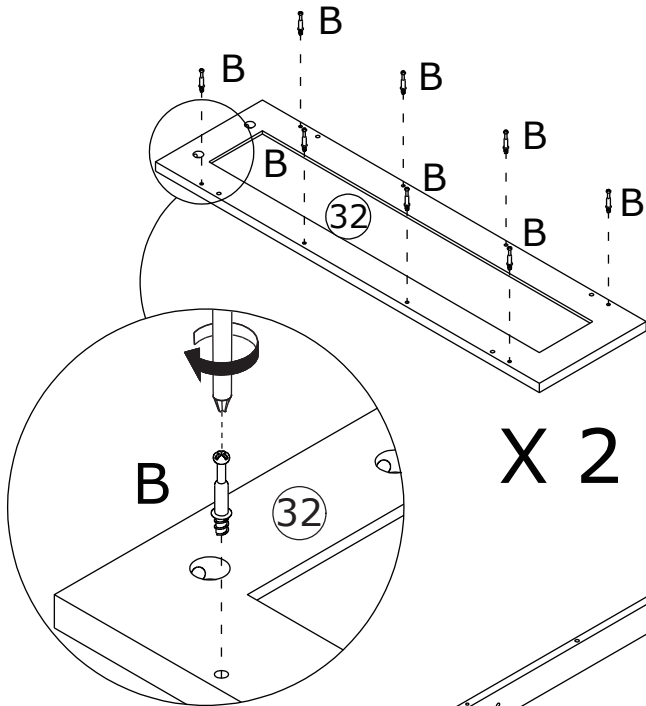
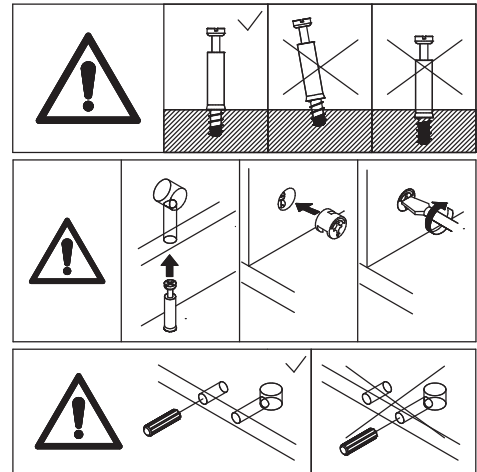


27

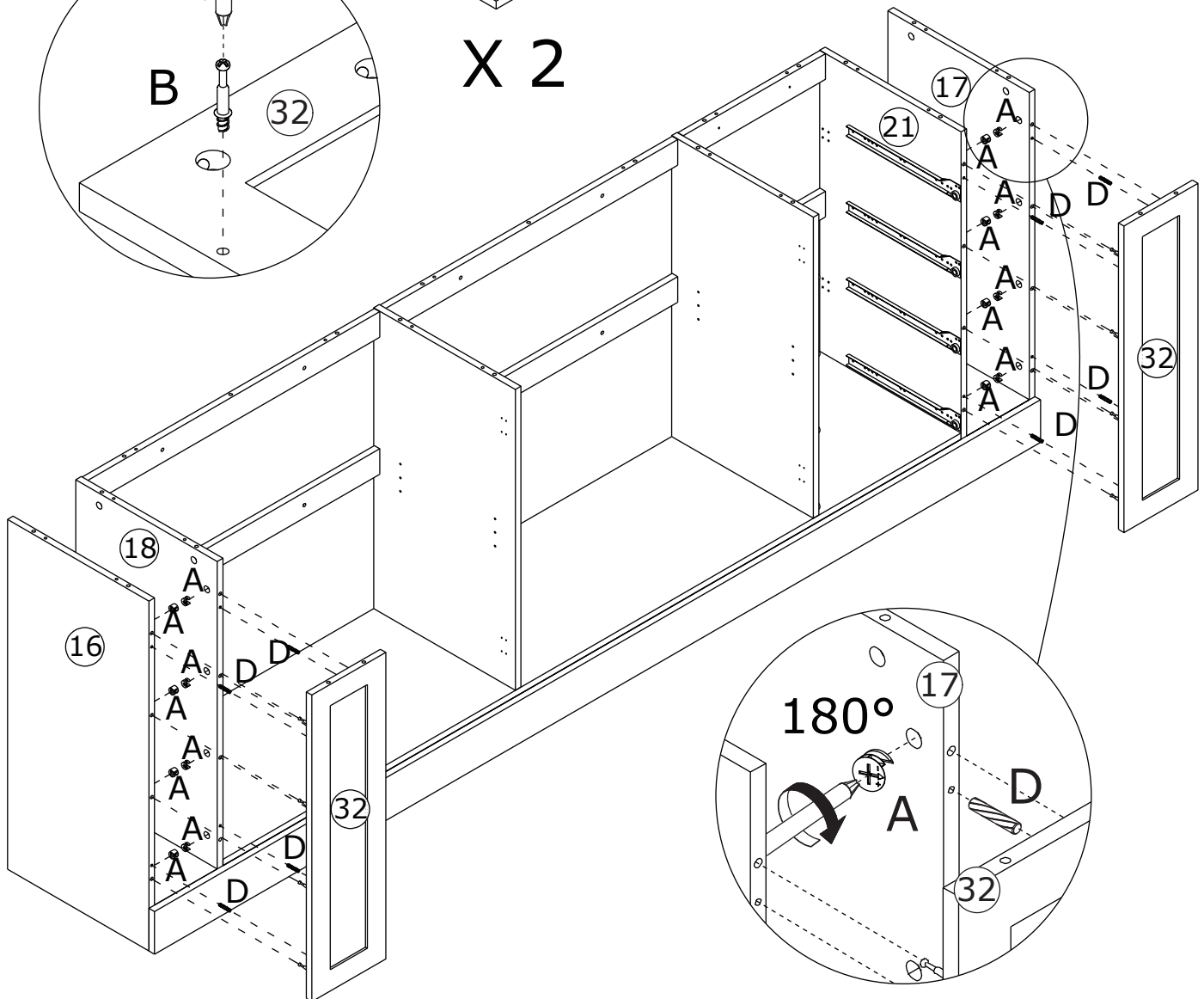


Screw eccentric rod(B) into board 32 at first.

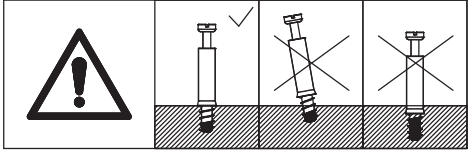
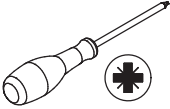
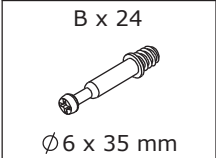
Attach board 32 to board 16, 18 and 21, 17 using wooden dowel(D), add cam lock(A) into and turn clockwise to tighten as shown.



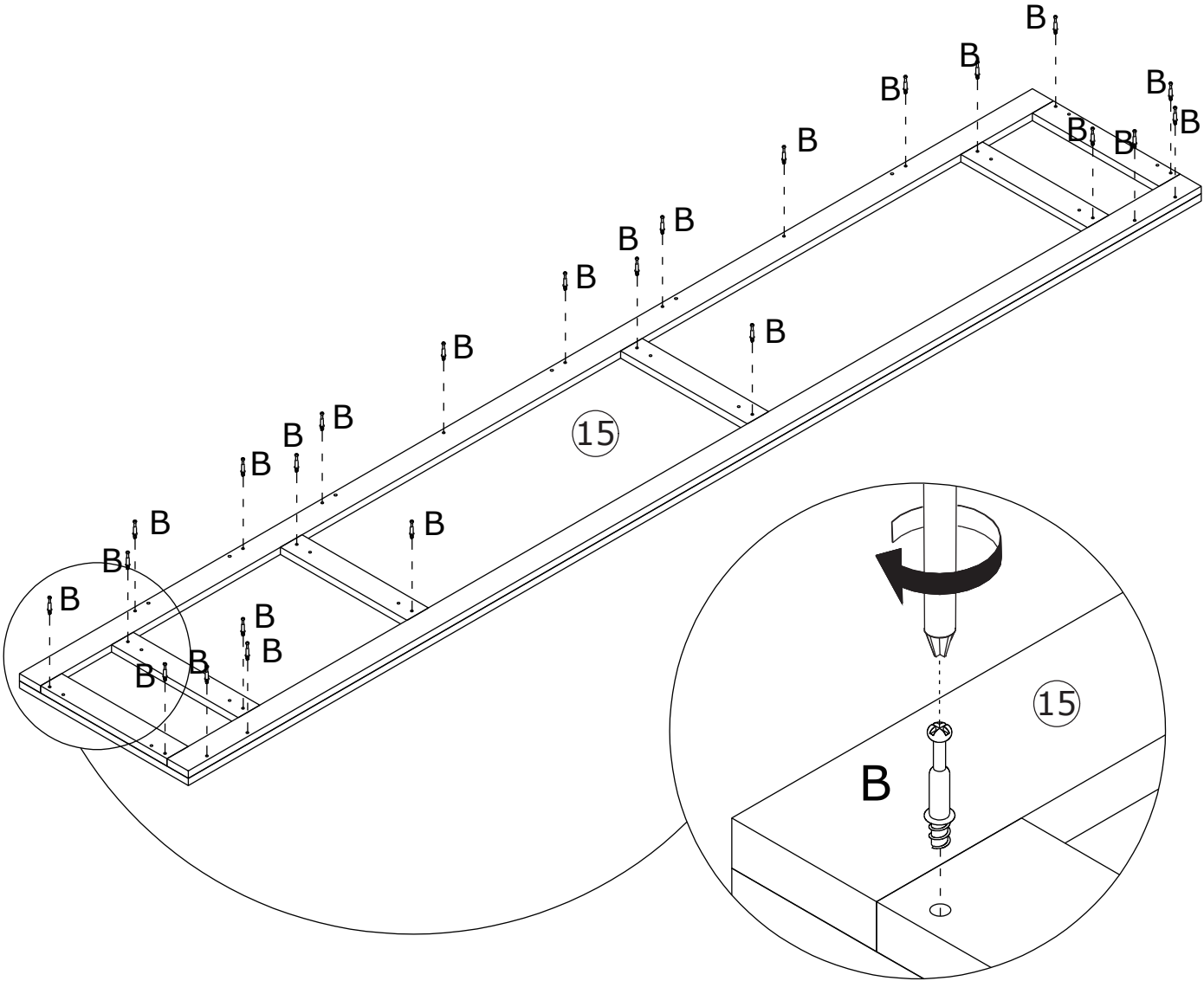
X 2



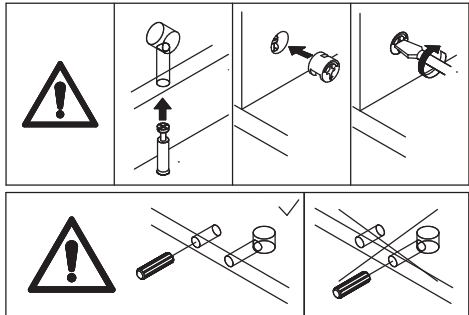
28



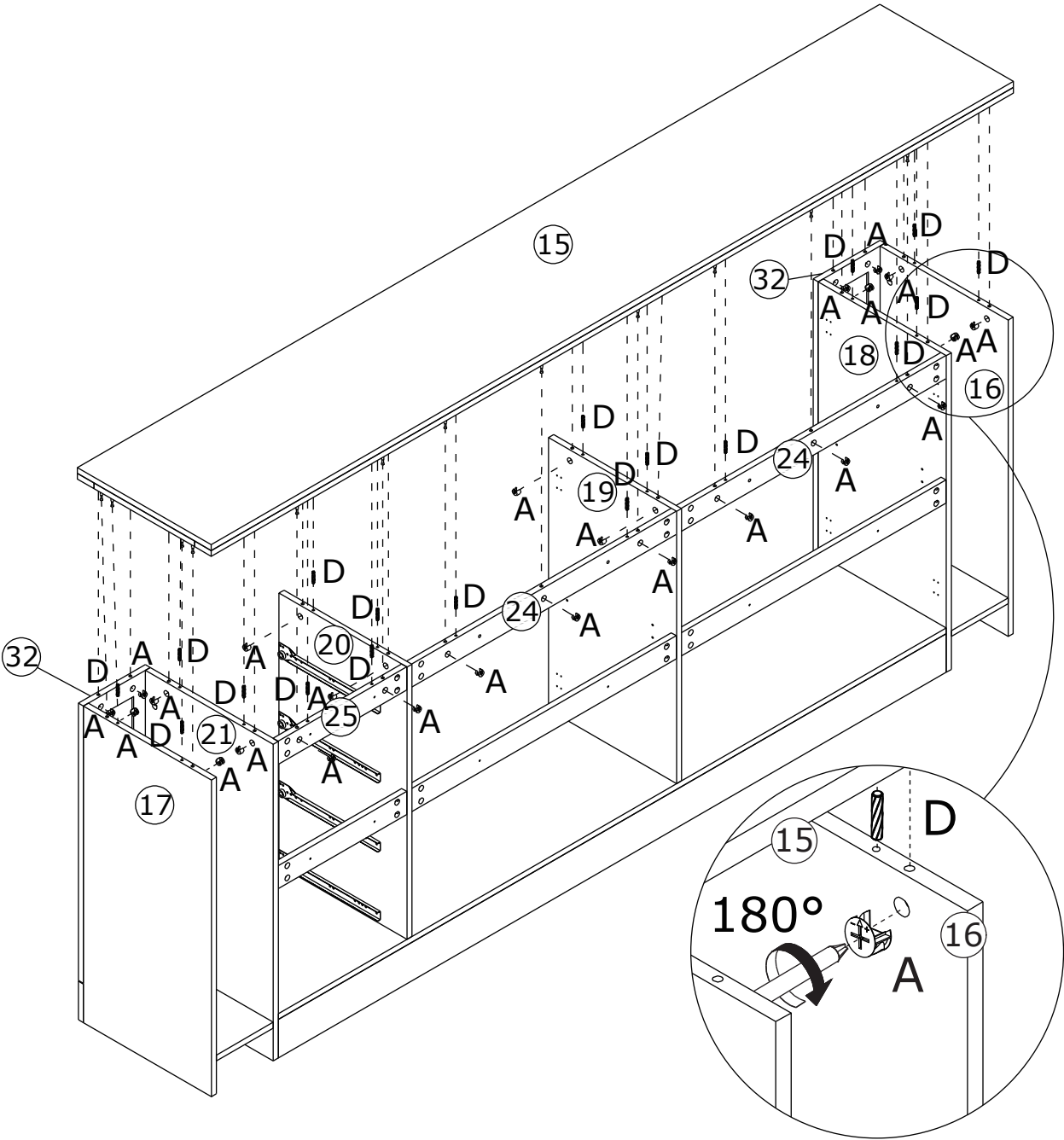
Screw eccentric rod(B) into board 15 at first.



29



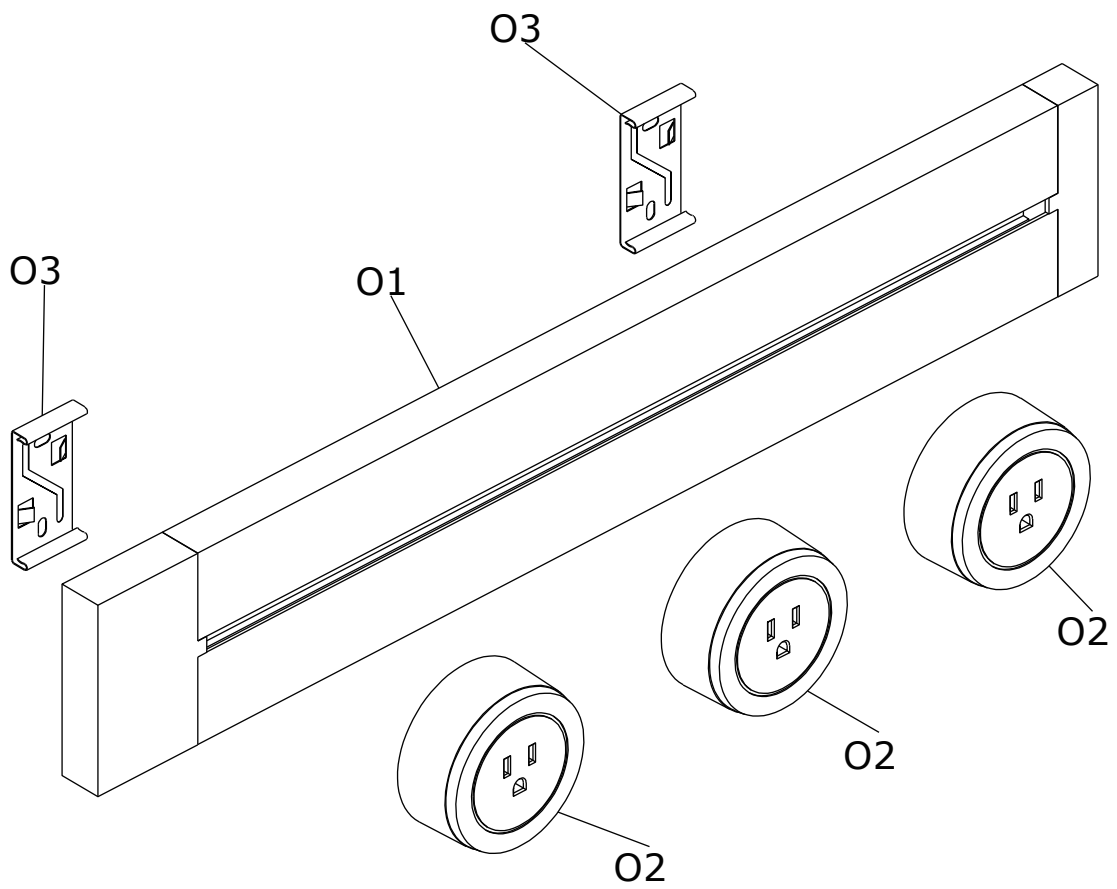
Attach board 15 to top using wooden dowel(D), add cam lock(A) into and turn clockwise to tighten as shown.







30



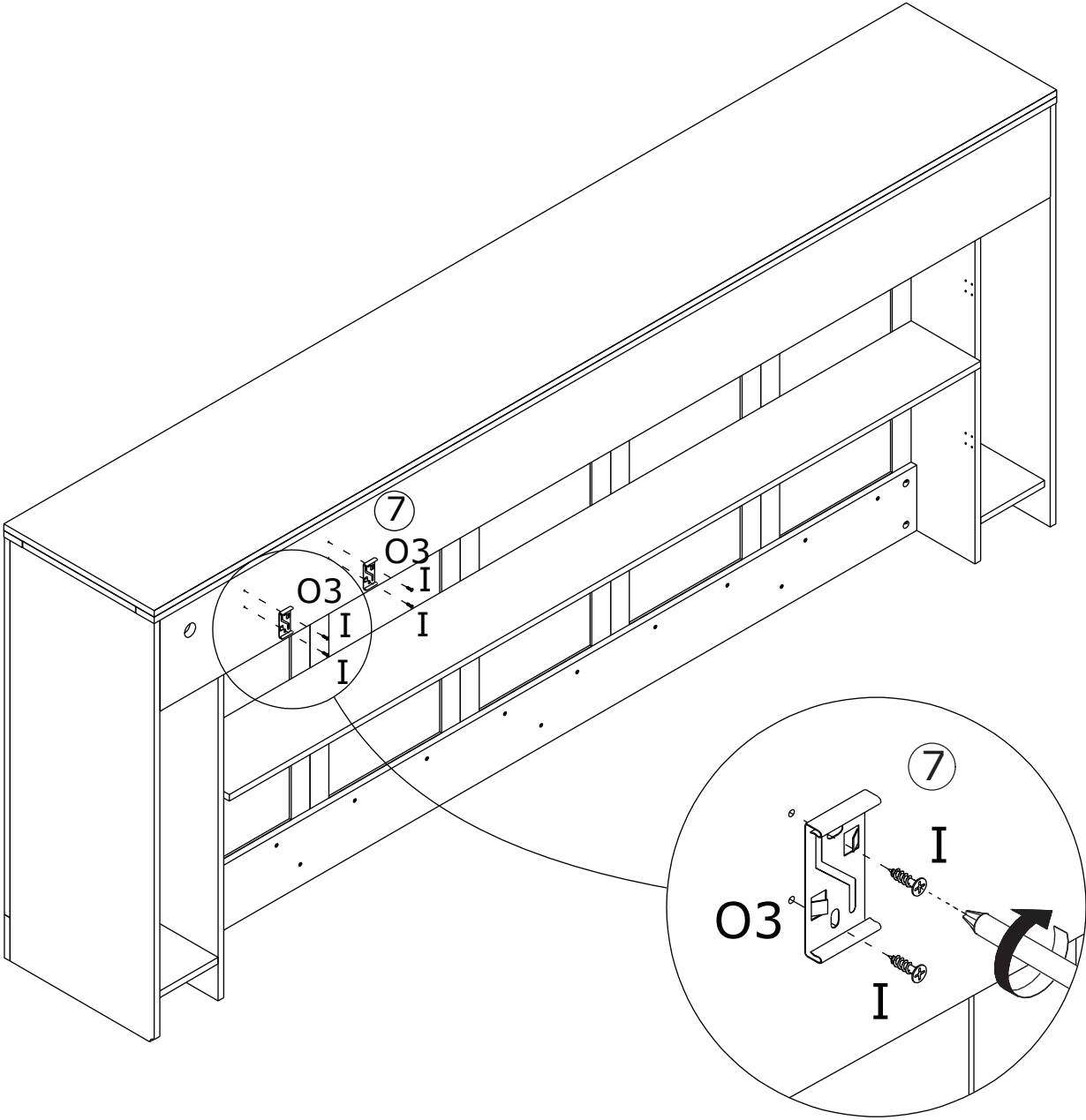
As shown in drawing.



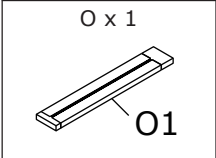
31

<p>I x 4</p>  <p>Ø3.5 x 14 mm</p>	<p>O x 1</p>  <p>O3</p> 	 
--	--	---

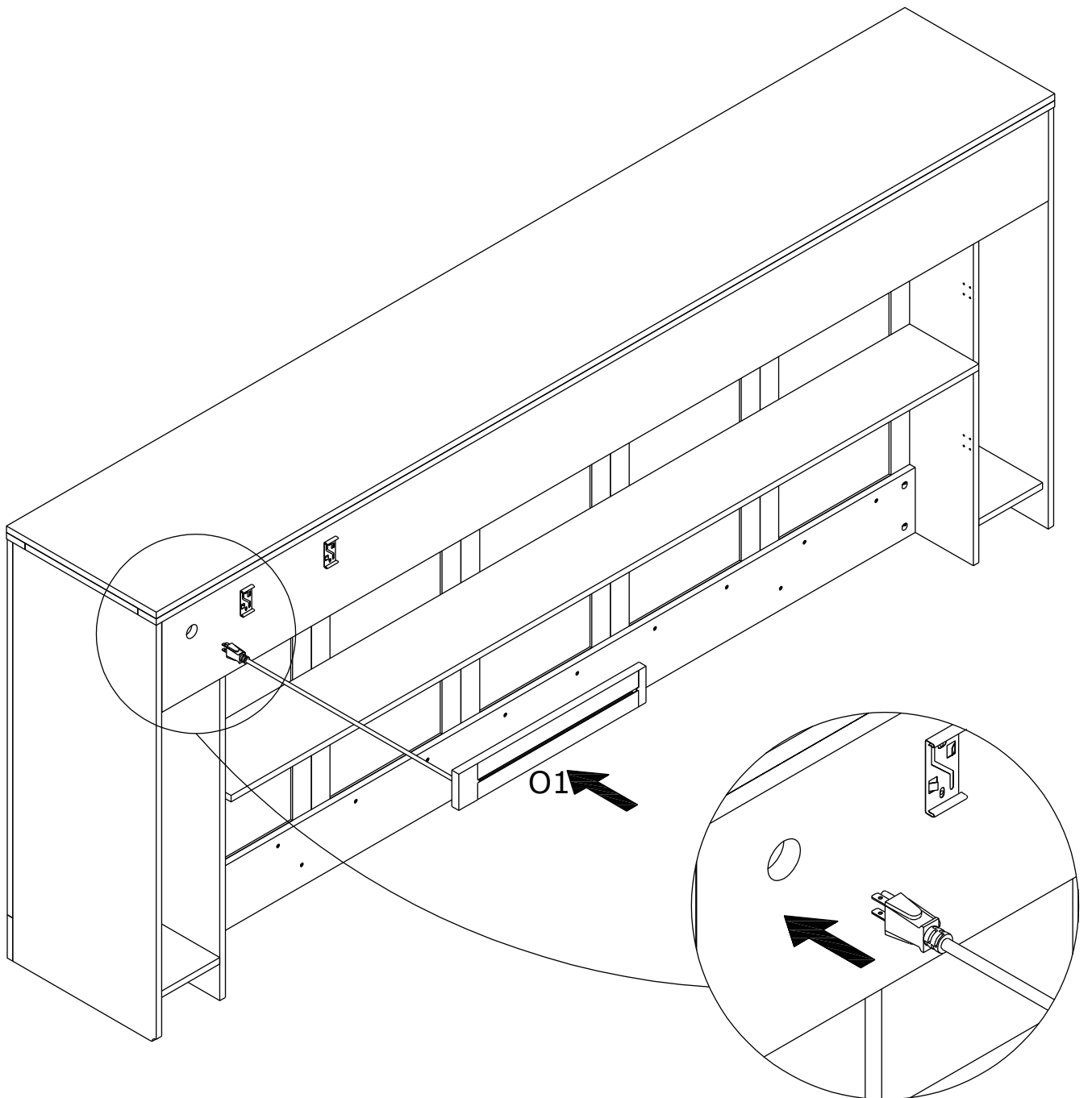
Fix part(O3) to board 7 with screw(I) as shown.



32



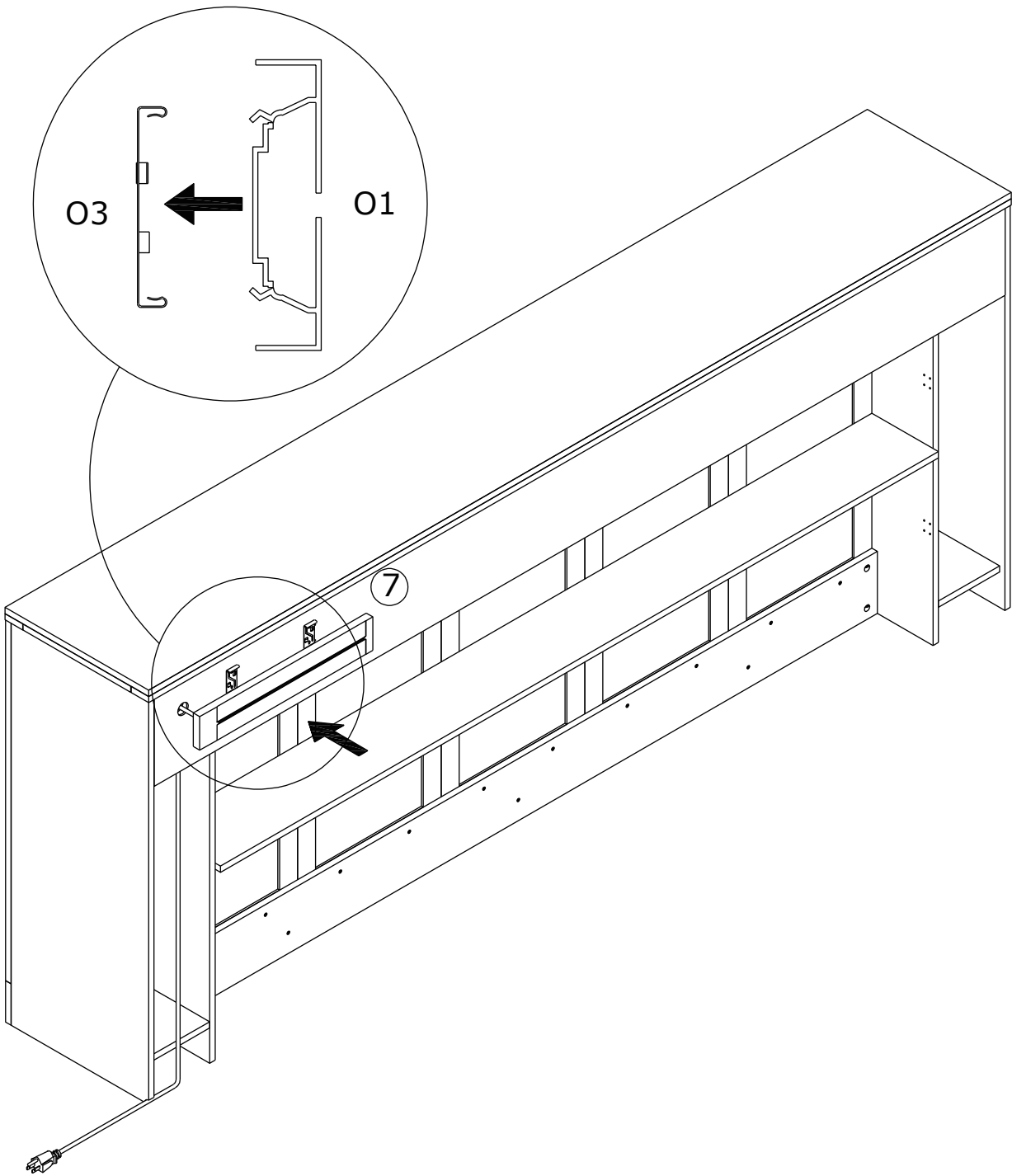
As shown in drawing.



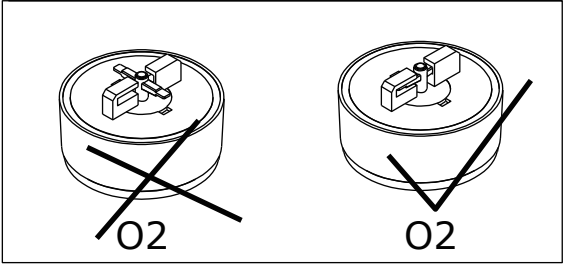
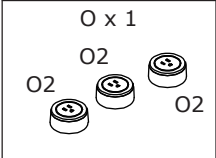
33



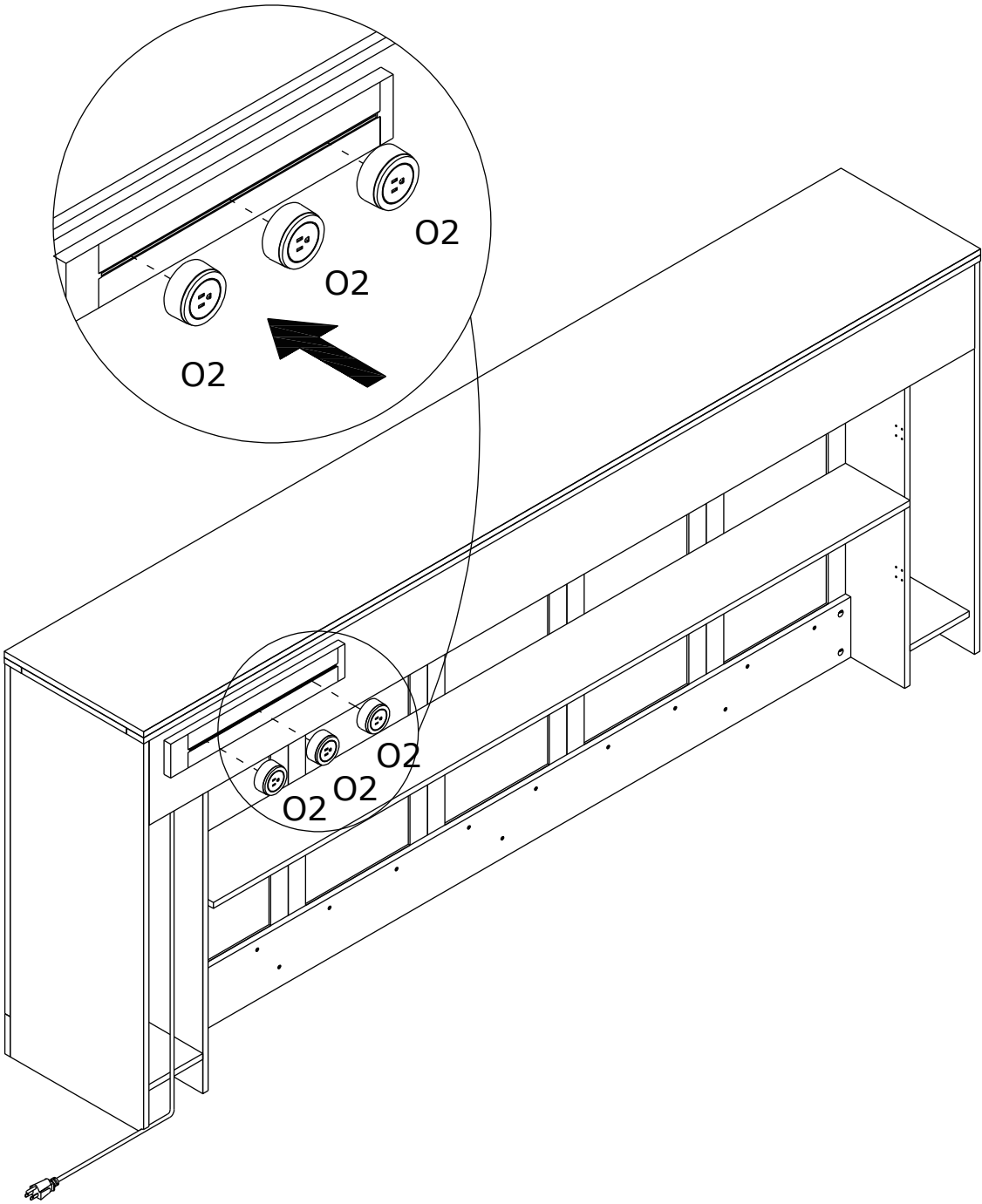
As shown in drawing.



34



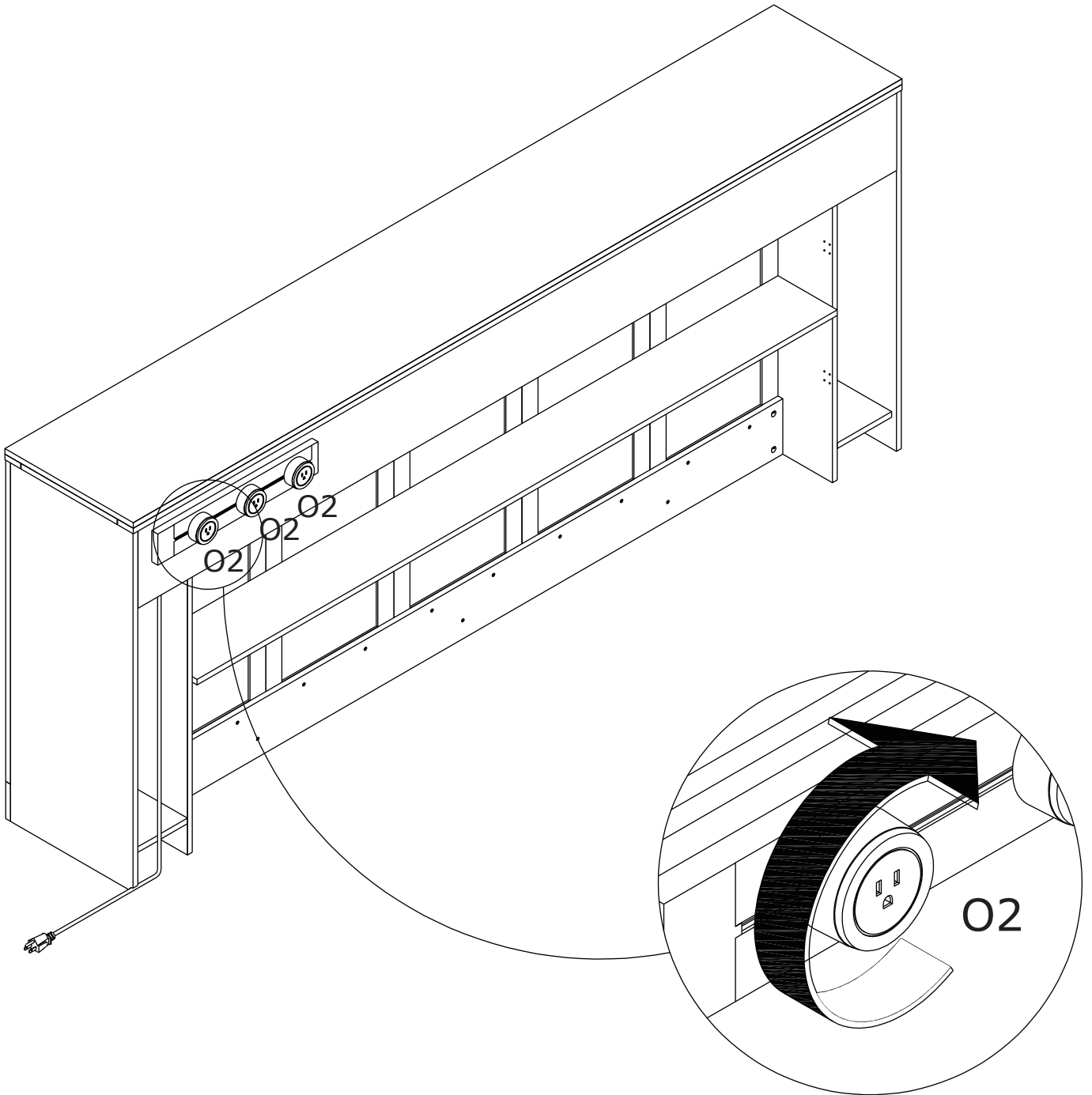
As shown in drawing.



35



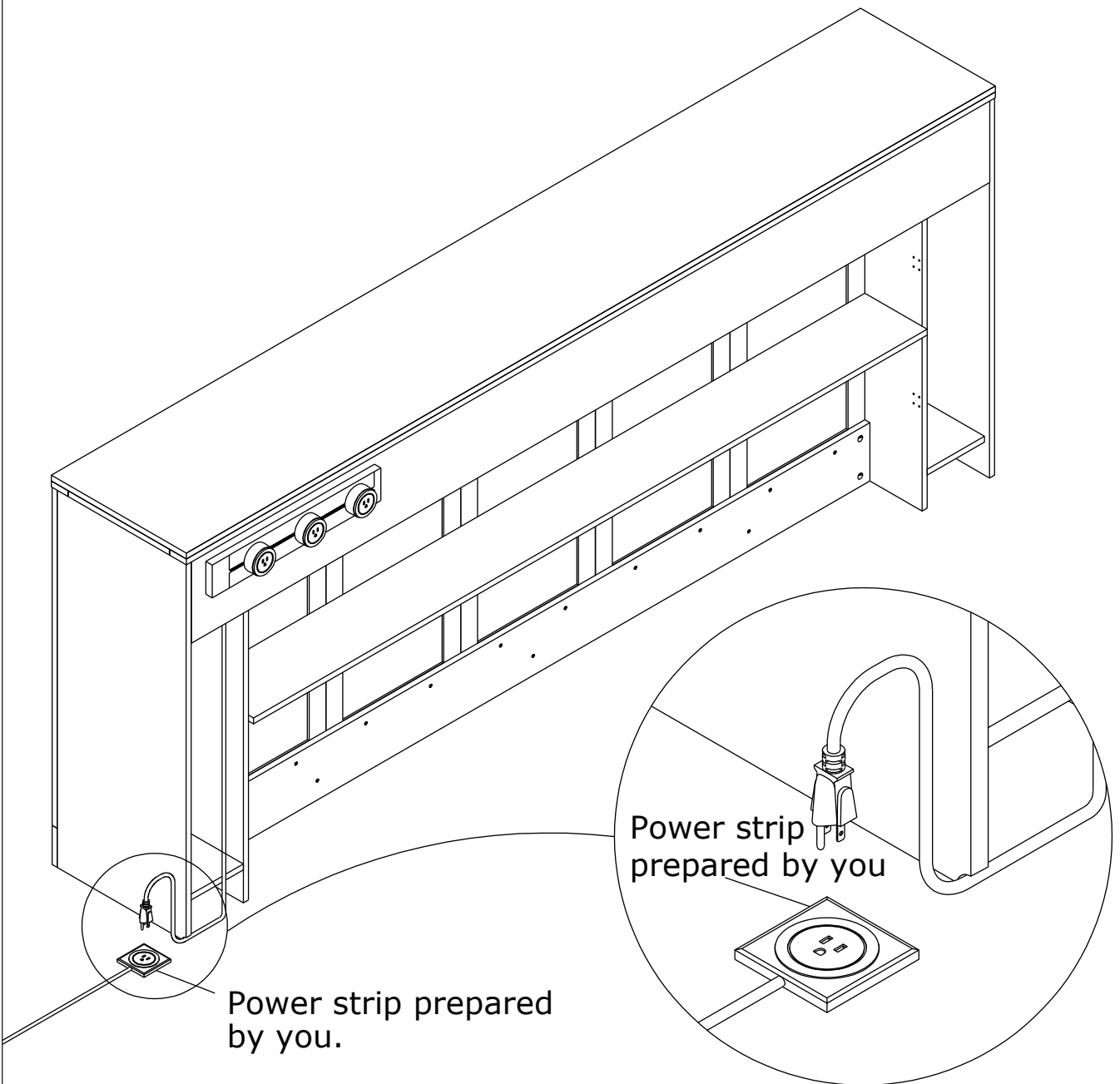
As shown in drawing.



36

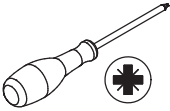


As shown in drawing.

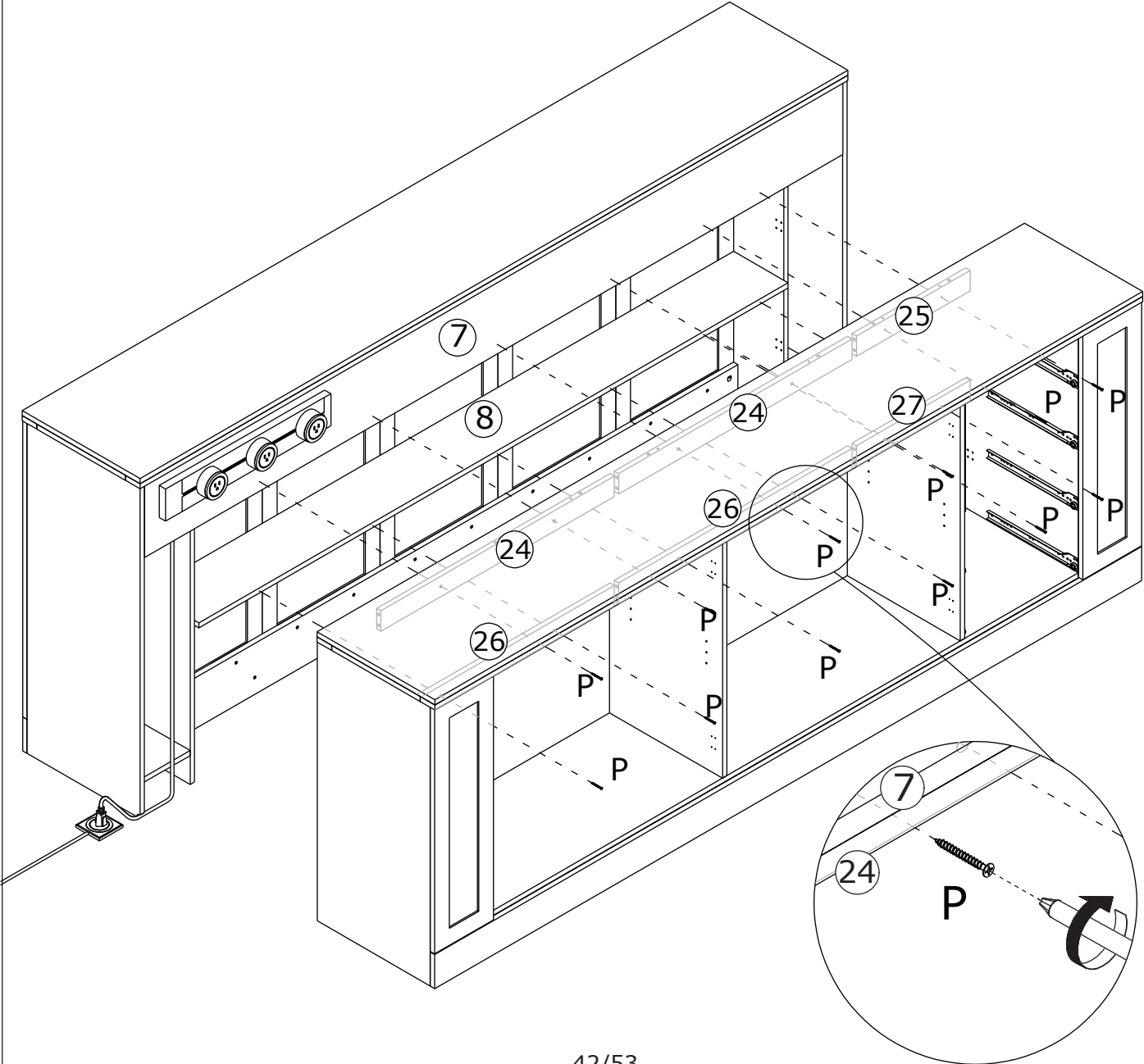


37

P x 12
Ø4 x 25 mm



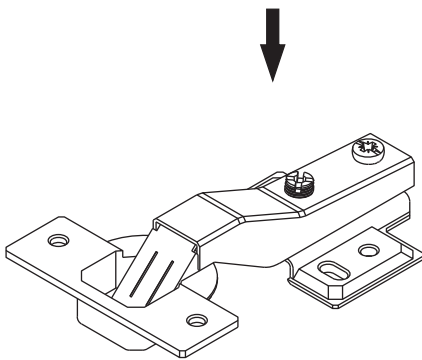
Fix the two components using screw(P) as shown.



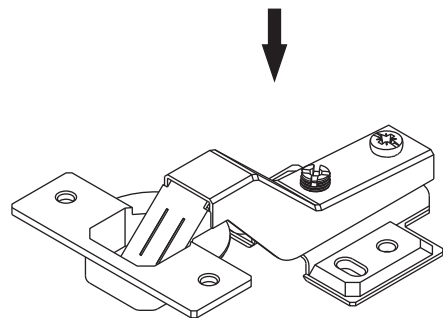


Pay attention to the difference between the middle parts of the two types of door hinges.

- The curved door hinges(F) are used on the outermost door plates.
- The curved door hinges(E) are used on the door panel in the middle of the cabinet.





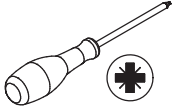


E

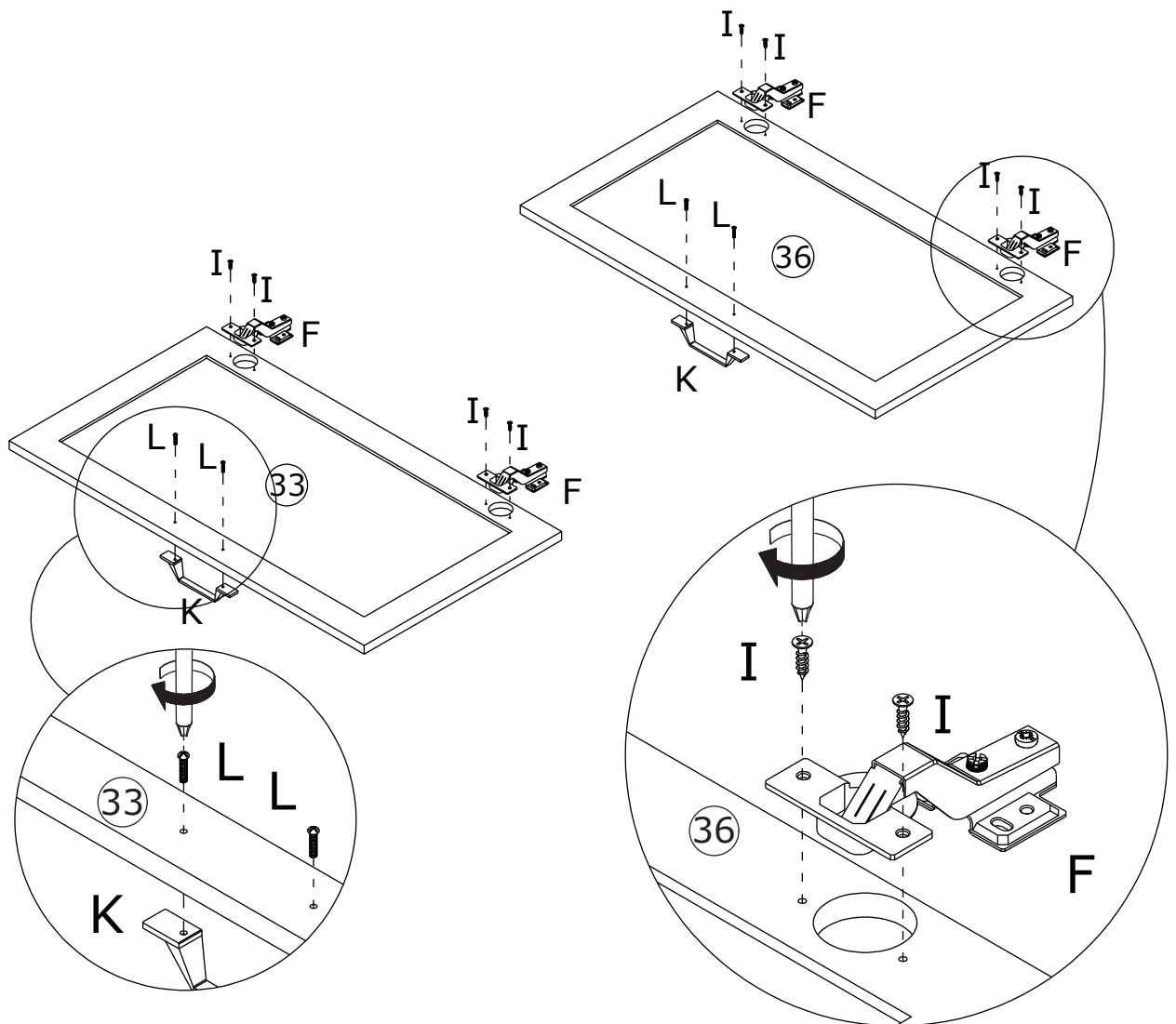


F

40

<p>F x 4</p> 	<p>I x 8</p>  <p>Ø3.5 x 14 mm</p>	<p>K x 2</p> 	<p>L x 4</p>  <p>Ø4 x 20 mm</p>	
--	--	--	---	---

Fix hinge(F) to board 33 and 36 with screw(I) as shown.
Fix handle(K) with screw(L) as shown.

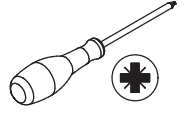


41

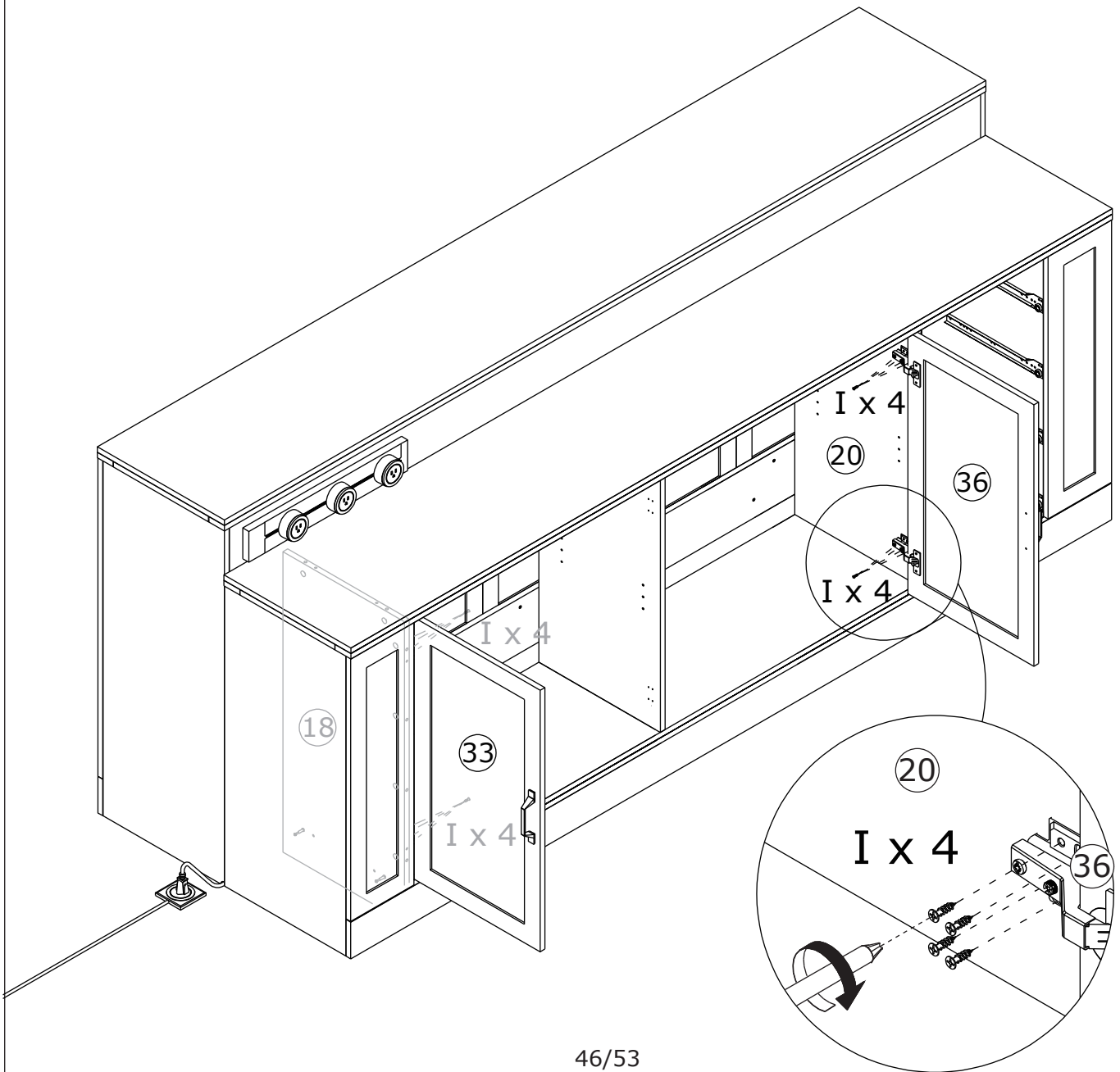
I x 16







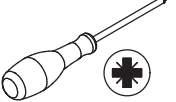
Ø3.5 x 14 mm



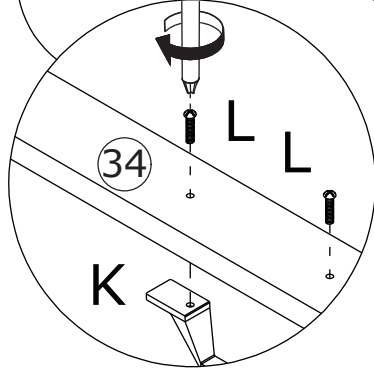
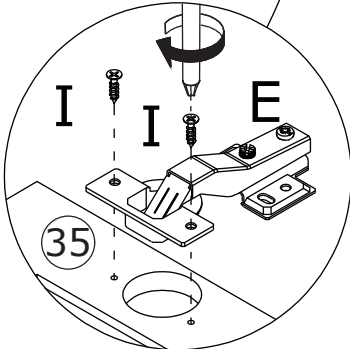
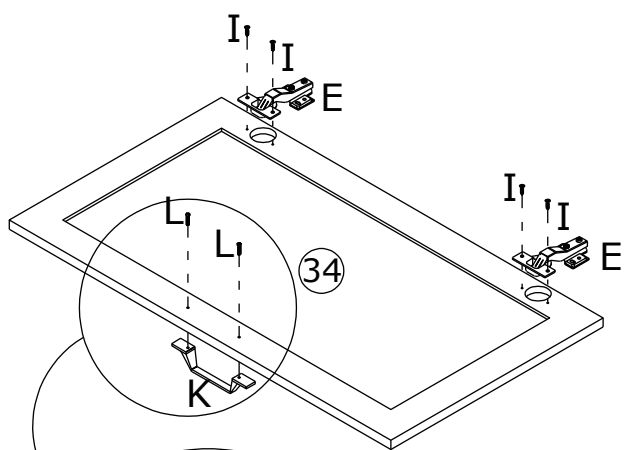
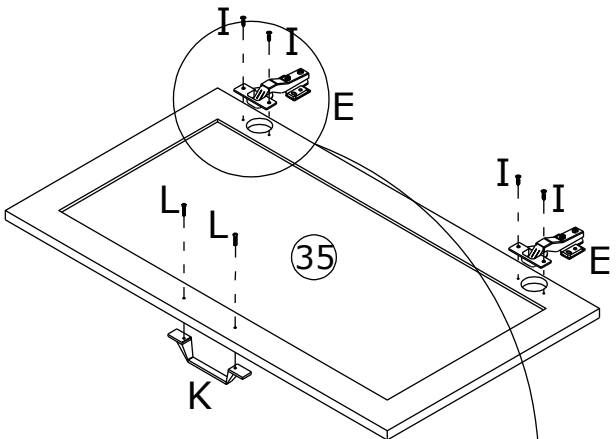
Assemble door 33 and 36 to board 18 and 20 by fixing hinge with screw(I) as shown.



42

E x 4 	I x 8  Ø3.5 x 14 mm	K x 2 	L x 4  Ø4 x 20 mm	
--	--	--	---	---

Fix hinge(E) to board 34 and 35 with screw(I) as shown.
Fix handle(K) with screw(L) as shown.

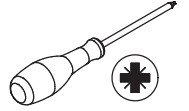


43

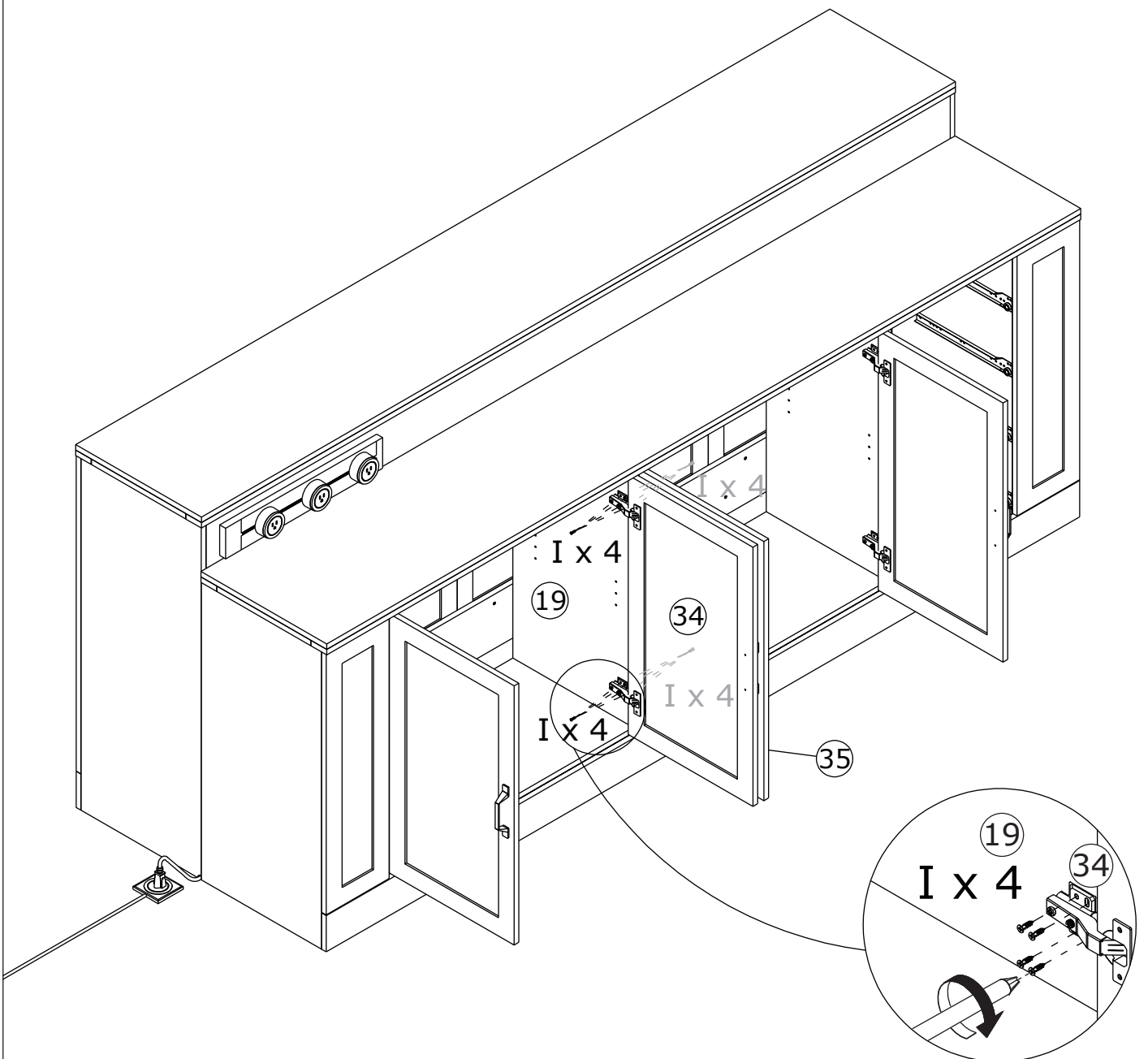
I x 16



Ø3.5 x 14 mm



Assemble door 34 and 35 to board 19 by fixing hinge with screw(I) as shown.

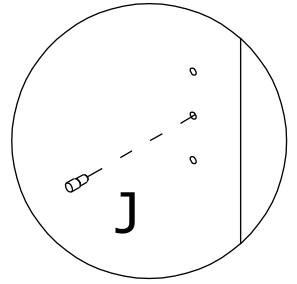


44

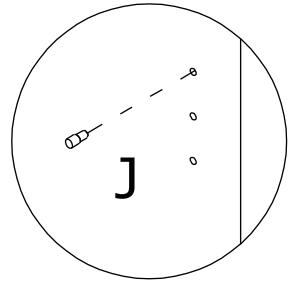
J x 8



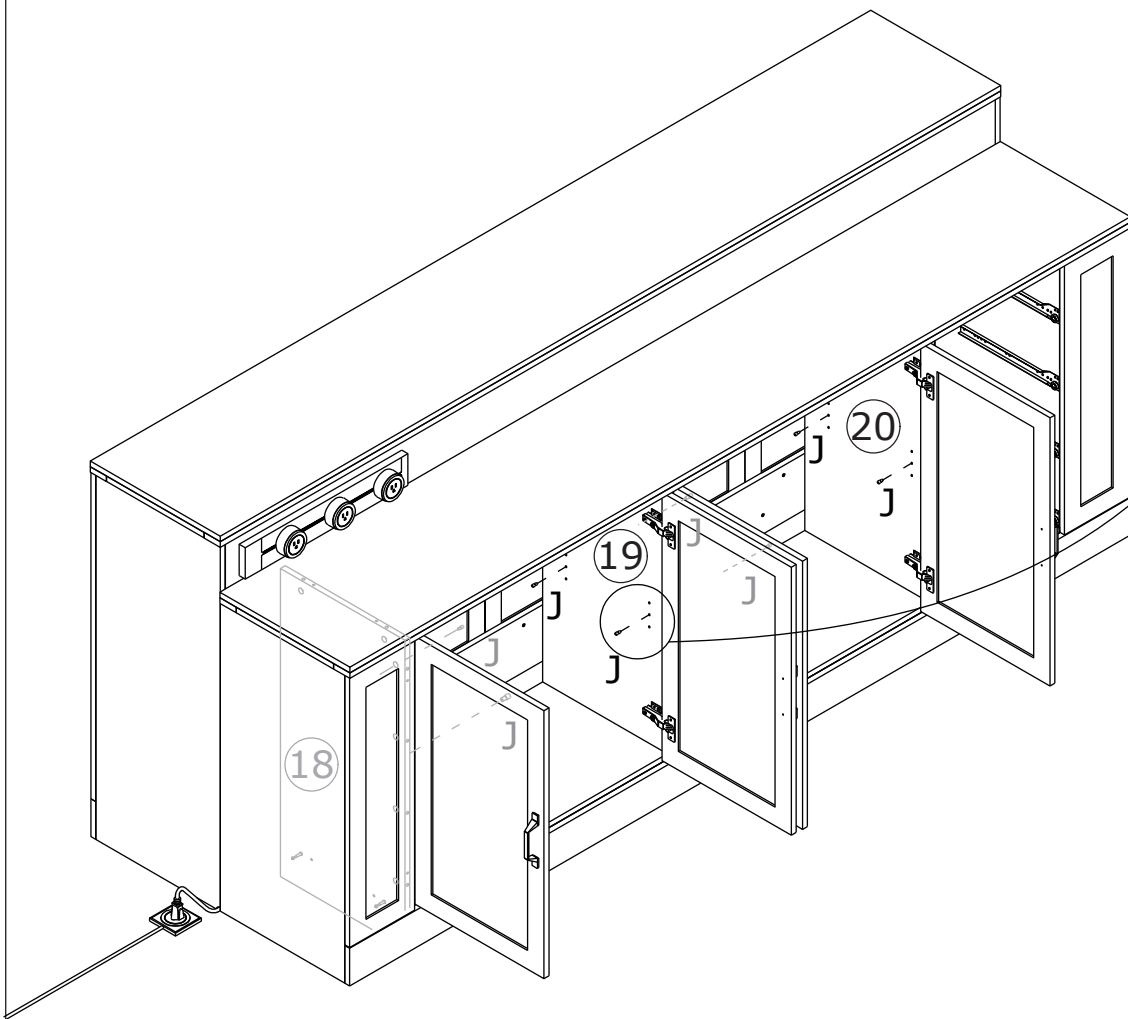
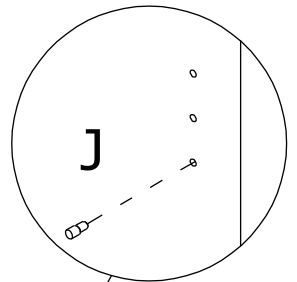
Insert layer pin(J) into board 18, 19 and 20 at first.



OR

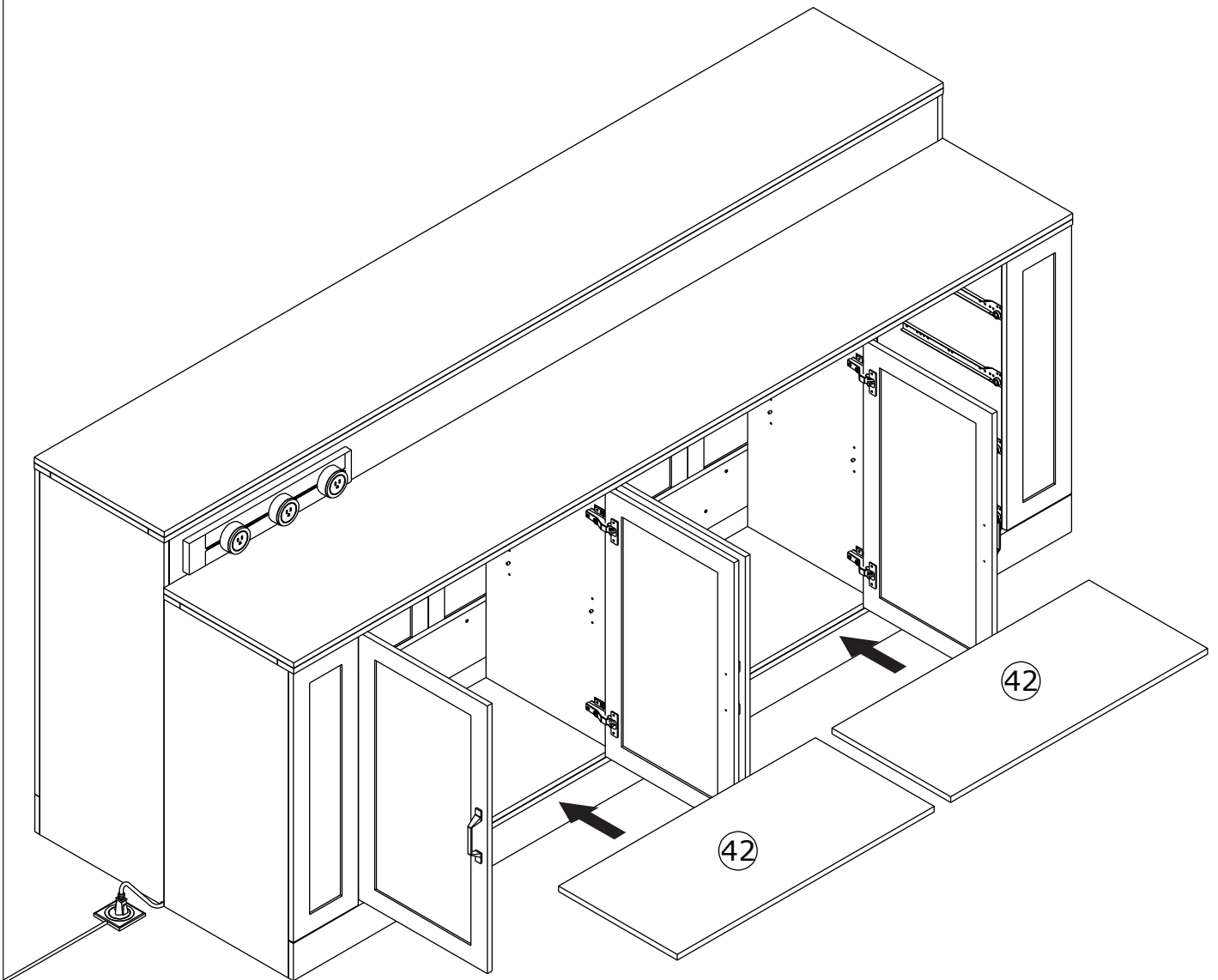


OR





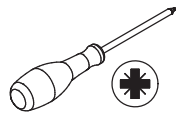


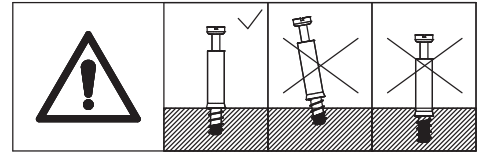
45

Place shelf board 42 on.

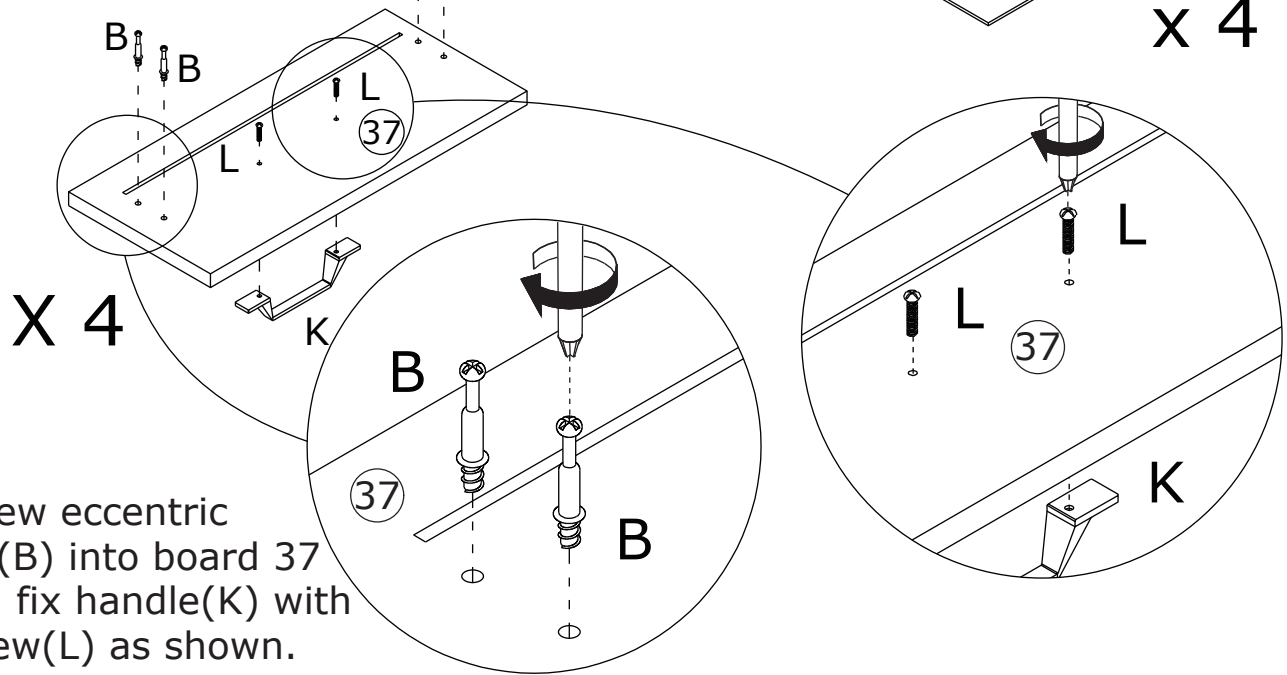
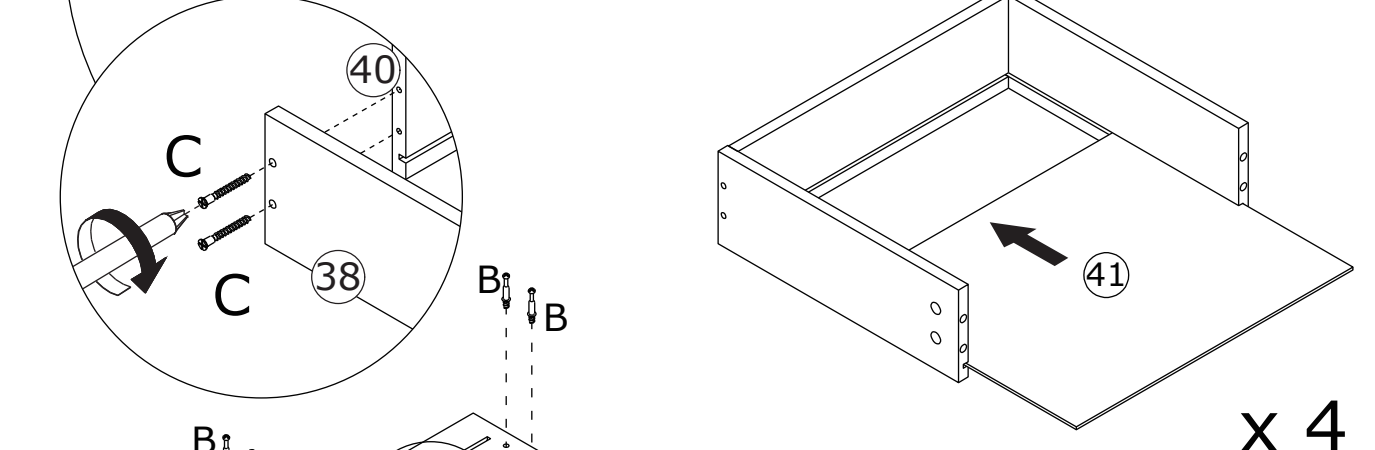
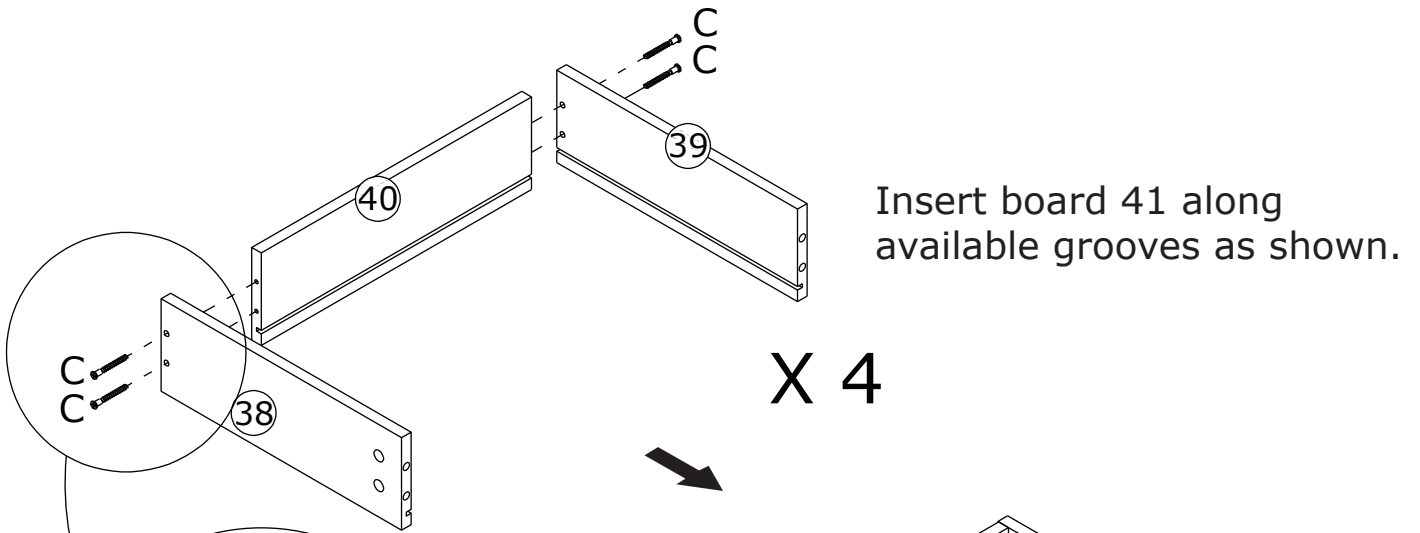


46

<p>B x 16</p>  <p>Ø6 x 35 mm</p>	<p>C x 16</p>  <p>Ø5 x 40 mm</p>	<p>K x 4</p> 	<p>L x 8</p>  <p>Ø4 x 20 mm</p>	
---	---	--	---	---


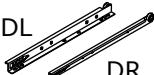

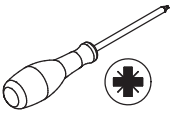


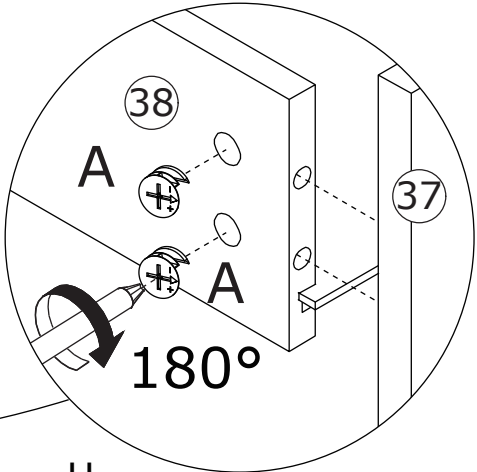
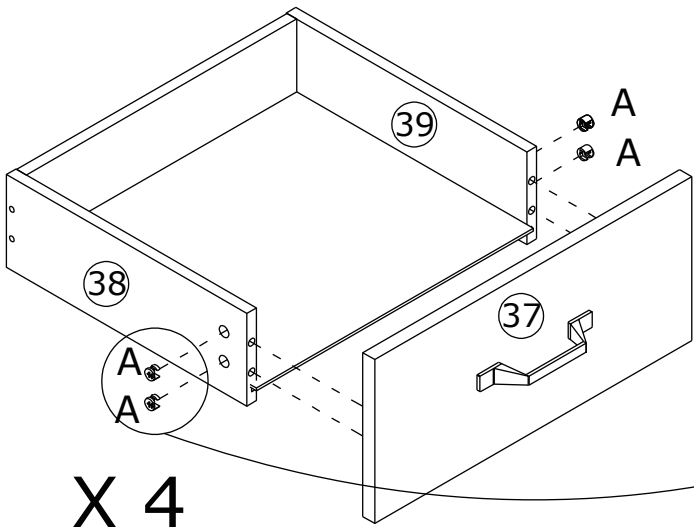
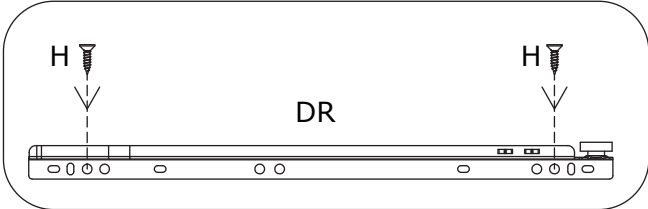
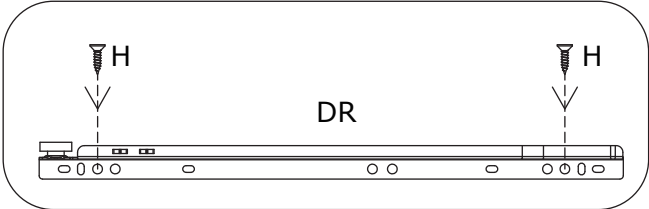
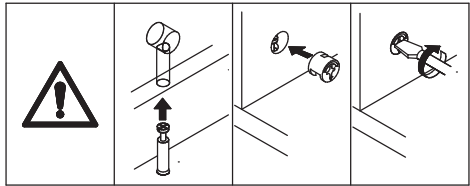
Fix board 40 to board 38 and 39 using screw(C) as shown.



Screw eccentric rod(B) into board 37 and fix handle(K) with screw(L) as shown.

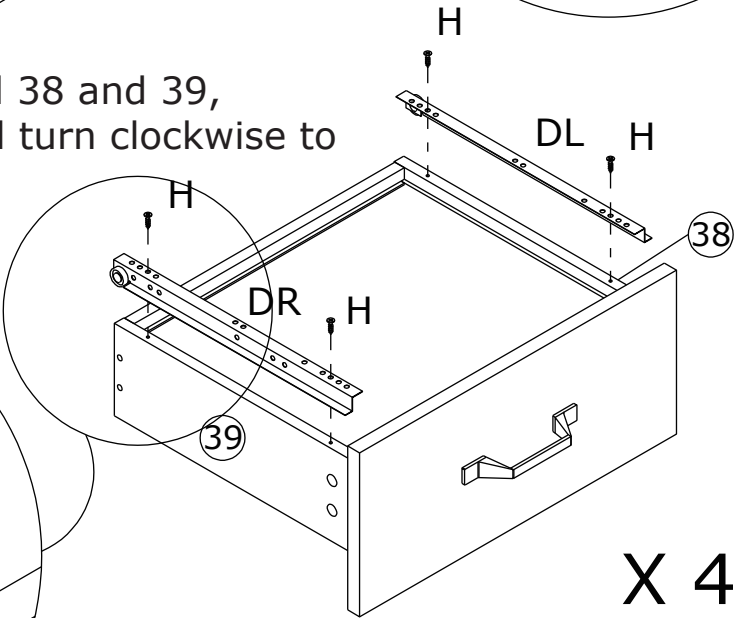
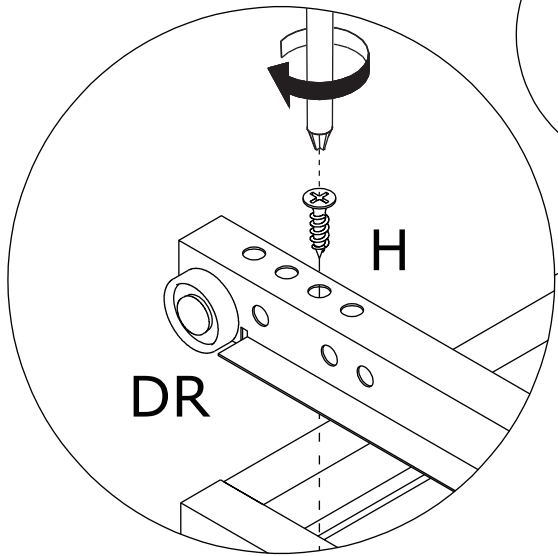
47

<p>A x 16</p>  <p>Ø15 x 10 mm</p>	<p>G x 4</p>  <p>DR</p> <p>300 mm</p>	<p>H x 16</p>  <p>Ø3.5 x 12 mm</p>	
--	--	---	---



X 4

Attach board 37 to board 38 and 39, add cam lock(A) into and turn clockwise to tighten as shown.

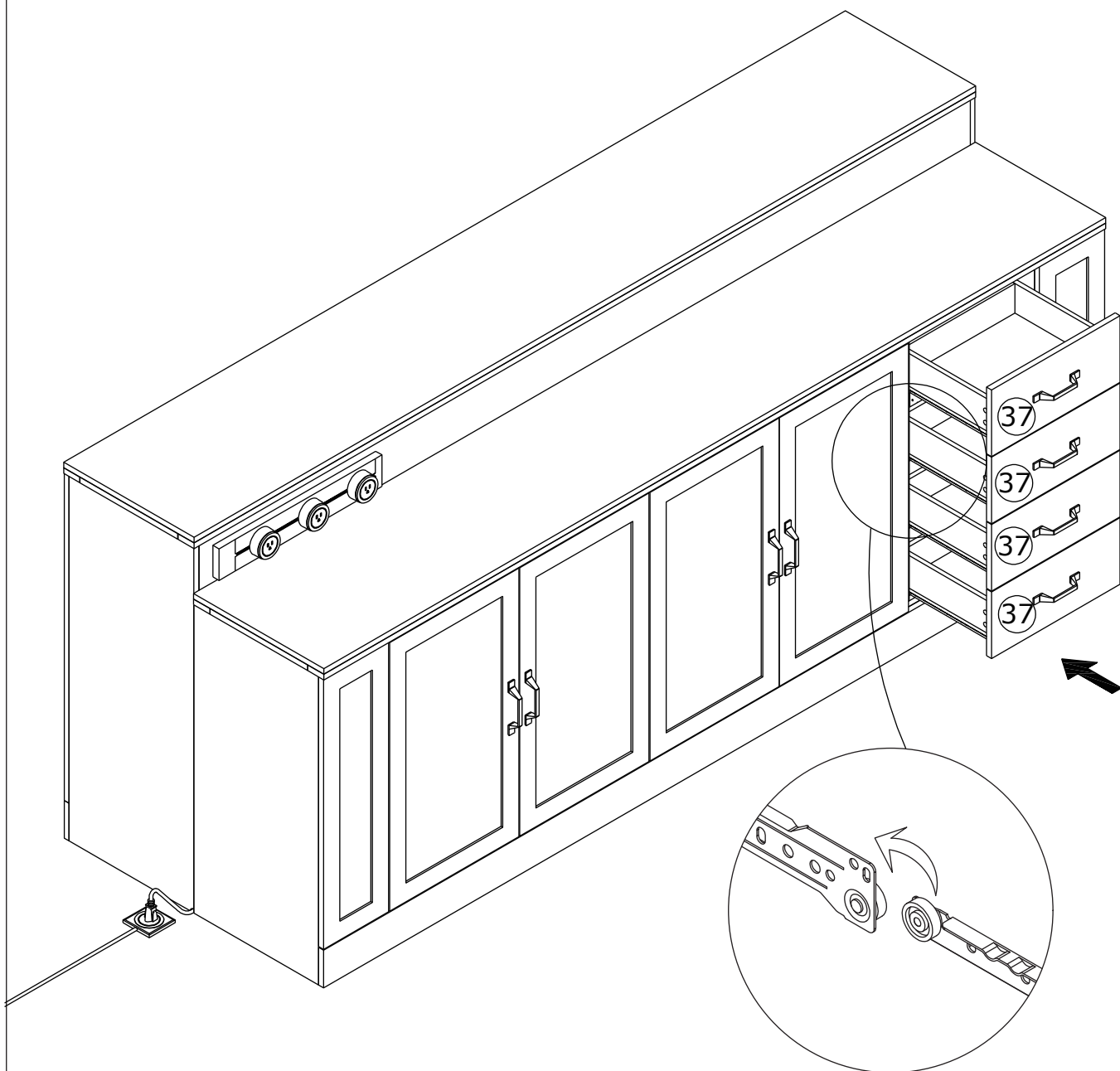


X 4

Fix track(DL) and (DR) to board 38 and 39 with screw(H) as shown.

48

Align rails, slide all drawers in.



WARRANTY

WARRANTY CLAIMS

- There is a 30-day warranty for broken furniture or any other problems that do not work properly. The warranty will start from the date of purchase which must be verified by proof of purchase.
- Before making a claim, we may be able to answer your query, simply call us. Please leave your purchase order number, along with some details of the problem, if you want a replacement part. We will arrange within 48 hours. If there is out of stock, we will reply with a shipping date.
- The product must be used in accordance with the instructions provided. For health reasons.
- For other reasons, if the furniture needs to be returned, it must be cleaned and dried and operated within 30 days of receipt.

Type of Warranty Claim

- Failure to follow the furniture instructions will invalidate the warranty. Attention please.
- Does not include damage during installation, but includes damage during transportation.

Scope of responsibility

- Shall not bear any responsibility for misuse or user damage and / or loss of parts during the installation of furniture.
- After using, the damage and scratches of the furniture are not covered by the warranty.

The Warranty Relates to All Bought in The Us and Covers The Following Areas

- Sheet parts: 1 month from the date of purchase.
- Electrical parts: 1 month from the date of purchase.