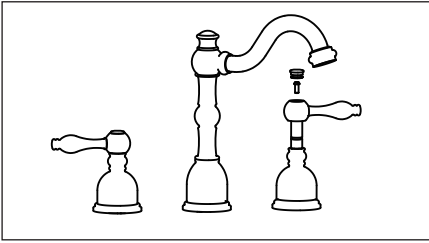
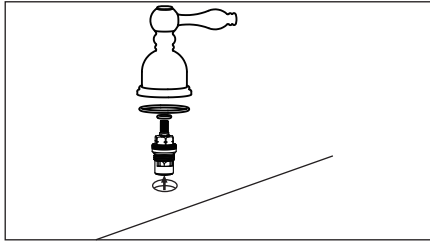


7. Handle Removal



Turn off water and relieve pressure! Detach handle button using a small flathead screwdriver, unscrew set screw using Allen Wrench and take off handle.

8. Valve Removal



Remove handles. Unscrew Dome Cap counter clockwise by hand. Unscrew Retaining Nut using adjustable wrench, take out cartridge assembly and inspect. Replace parts as necessary. Reassemble parts by reversing steps.

CAUTION: Maintenance

1. Replacement parts may be available at the store where you purchased your faucet.
2. Always turn off water and relieve pressure before working on your faucet.

NOTES: Cleaning Instructions

1. To keep the faucet clean, you should clean the faucet frequently and regularly.
2. Clean the faucet with clear water or mild liquid, rinse the faucet with clear water and then dry the faucet with soft cotton cloths.
3. Do not use any abrasive cleansers, cloths, or paper towel.
4. Do not use any acid or abrasive detergent.

TROUBLE-SHOOTING

If you've followed the instruction carefully and your faucet still does not work properly, take these corrective steps.

Problem	Cause	Action
Leaks underneath handle.	Cartridge has come loose.	Tighten the cartridge.
Aerator leaks or has an inconsistent water flow pattern.	Aerator is dirty or worn out or misfitted.	Unscrew the aerator to clean or replace washer, or replace the aerator.
Water will not shut off completely.	Dirty or worn out washer in cartridge.	Remove handle and cartridge to check if the washer is damaged permanently or dirty. Re-install cartridge.

AKICON[®]

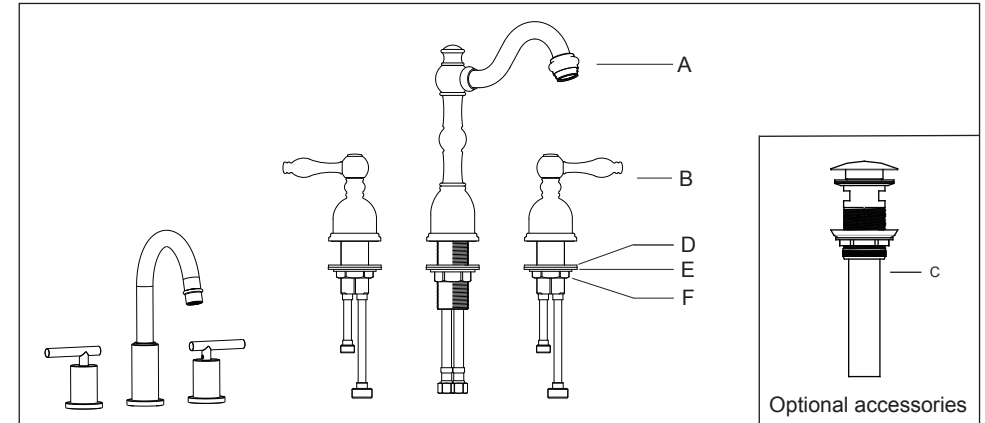
Two-Handle Basin Faucet

Model: 41518
41566

PACKING LIST

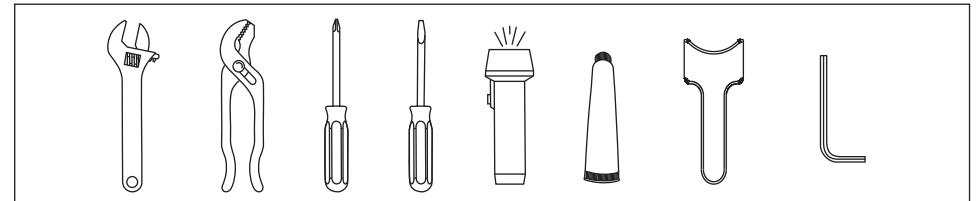
After you open this package, please check to ensure that all of the following items are included.

- A- Spout Assembly B- Handle Assembly (2) C- Pop-up assembly(Optional)
D- Rubber Washer (3) E- Metal Washer (3) F- Mounting Nut(3)



IMPORTANT NOTICES: For easy installation, please read all the instruction completely before beginning. Before installing this product, make sure that water line trash is cleared to avoid blockage.

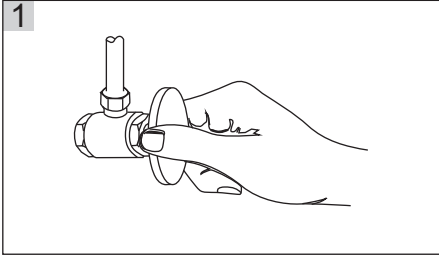
YOU MAY NEED



Questions, problems, missing parts?
call Akicon Customer Service 8 a.m.-6p.m. EST, Monday-Friday
Phone: +1(302)213 4406, Email: service@akiconshop.com
AKICONSHOP.COM

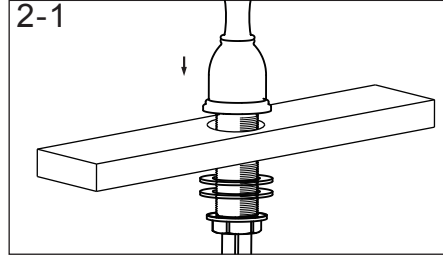
INSTALLATION PROCEDURES

1. Turn Off Water Supply

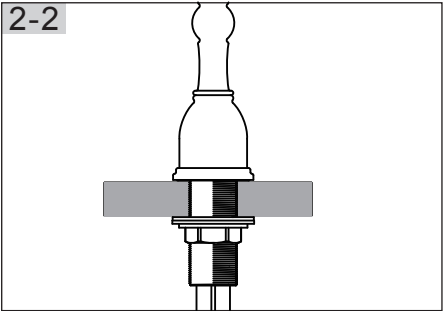


You should clean all the dirt from valve outlets. Turning off the water supply valves. This is usually found near the water meter. If you are replacing an existing faucet, remove the faucet from the sink and clean the sink surface thoroughly.

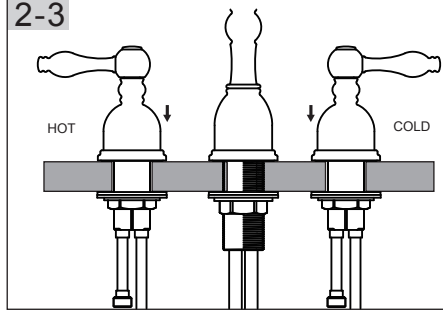
2. Install Faucet



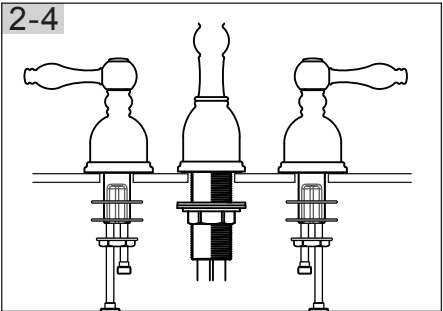
Be sure that O-Ring is placed to the bottom of the spout body. Insert Spout Shank through the center hole of sink. From underneath sink, place Plastic Washer and Metal Washer onto spout shank and tighten with Mounting Nut by hand. Before final tightening, be sure Pop-up Hole facing back.



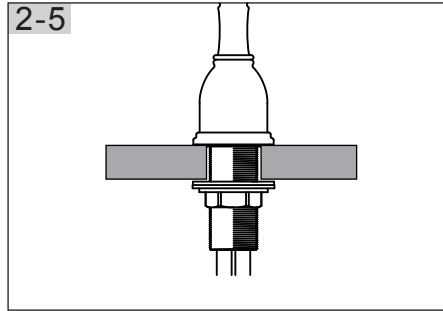
If necessary, tighten screws using a crosshead screwdriver until the faucet is firmly connected to the sink.



Place Mounting Nut, Metal Washer and Rubber Washer over Valve Shank. From underside sink, insert valve body through mounting holes. The hot valve, labeled with red tag should be positioned to the left side of the spout.

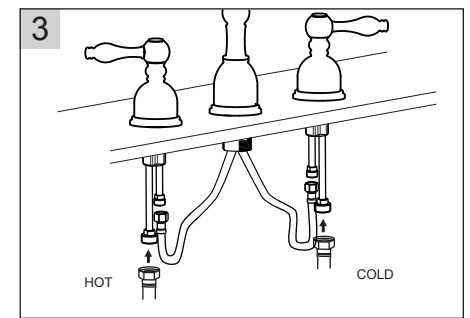


From underneath sink, tighten Mounting Nut by Tool. Before final tightening, make sure Valve Body Side Connector facing Spout Body.

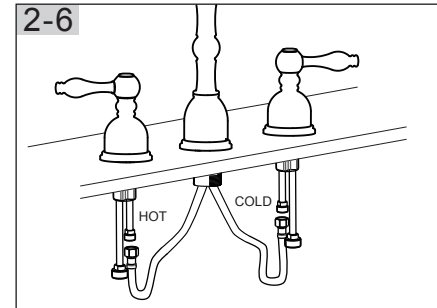


From underneath sink, tighten Mounting Nut by Hand. Before final tightening, make sure Valve Body Side Connector facing Spout Body.

3. Water Supply Line Connections

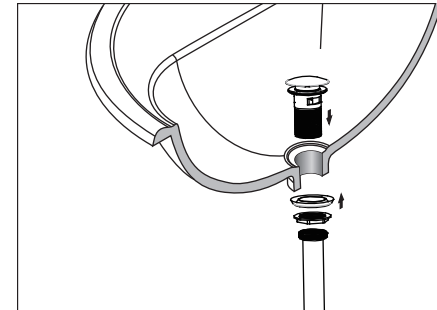


Connect hot and cold water flexible hoses to faucets inlets.



Connect Spout hot water flexible hoses to the Left Valve Side Connector. Tighten flexible hoses Nut. Connect Spout cold water supply line to the right Valve Side Connector.

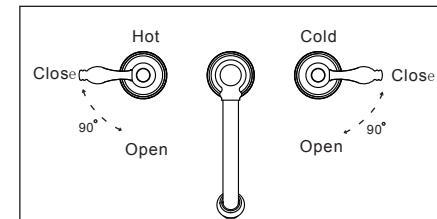
4. POP-UP Assembly Installation



As shown. Insert Flange with Washer through Sink drain Hole. From underside, thread Drain Body into Flange. Holding the drain body in position with Ball Rod Opening facing back, tighten Metal Locknut securely. Thread Drain Tailpiece into Drain body.

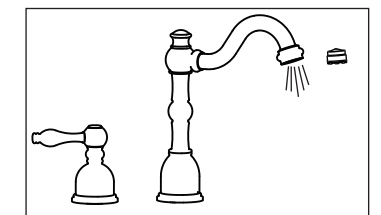
MAINTENANCE AND CARE

5. Valve Function



By rotating the handle closed to the spout, the Valve will be activated allowing water to flow. The water flow will increase by continuing to rotate handle. By rotating the right handle to the left, the water temperature will decrease to cold flow only. By rotating handle left to the right, the water temperature will increase to hot only.

6. Faucet Start Up



After installation is complete, remove aerator and rotate handle to the close position. Turn on the Water Supply Valves, and check all connections for leak. Turn on your faucet and allow both hot and cold water to run at least one minute each. Replace Aerator.