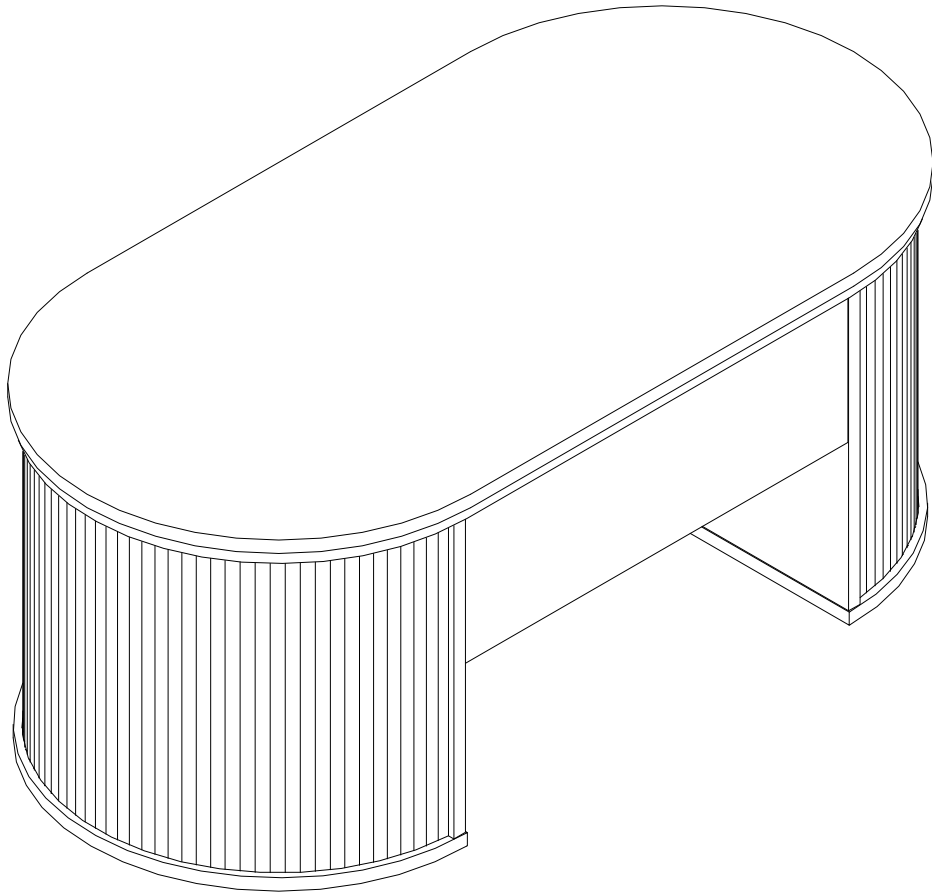


# Assembly Instructions

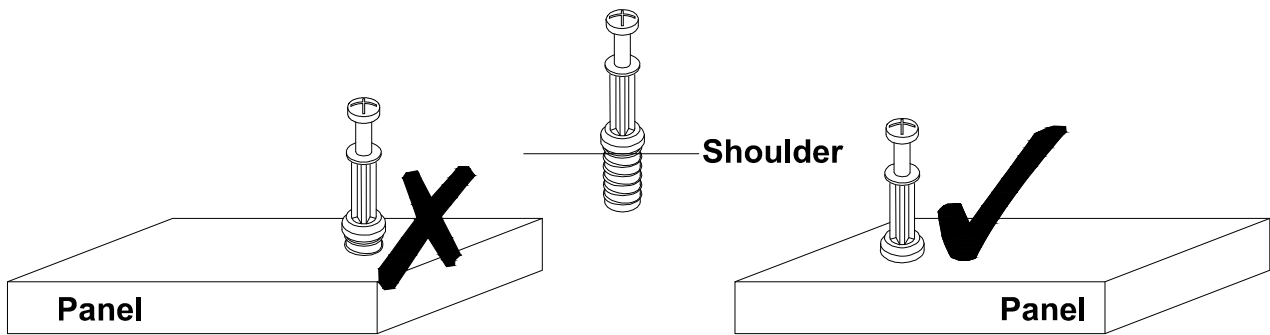


# Before Assembly

## Tips Before Your Start:

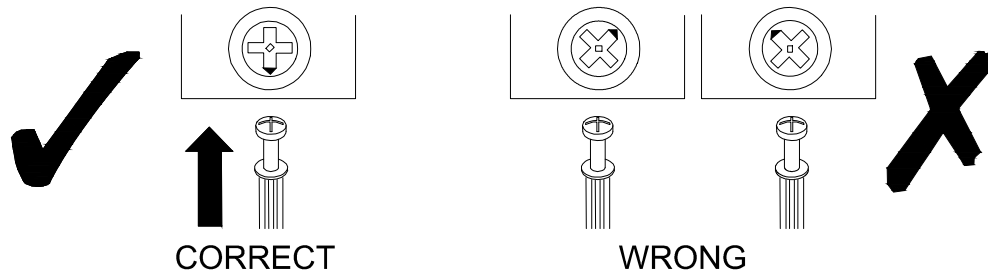
- Remove all wrapping material, including staples & packing straps before you start to assemble.
- DO NOT tighten all screws and bolts until the assembly is completely assembled.
- Keep all hardware parts out of reach of children.

## QUICKFIT



Tighten quickfit until shoulder is flush with panel. Do not overtighten or undertighten.

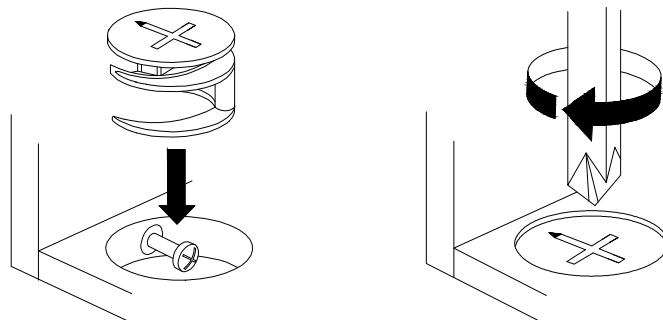
## CAM LOCK



When fitting a cam lock, ensure the starting position is correct before inserting the connecting QUI CKFIT


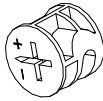

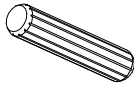
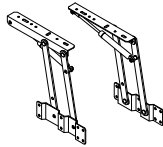
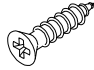

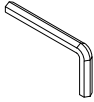

Quickfit head should be in the centre of the cam lock when the two panels are joined.

Cam lock should be inserted before quickfit.

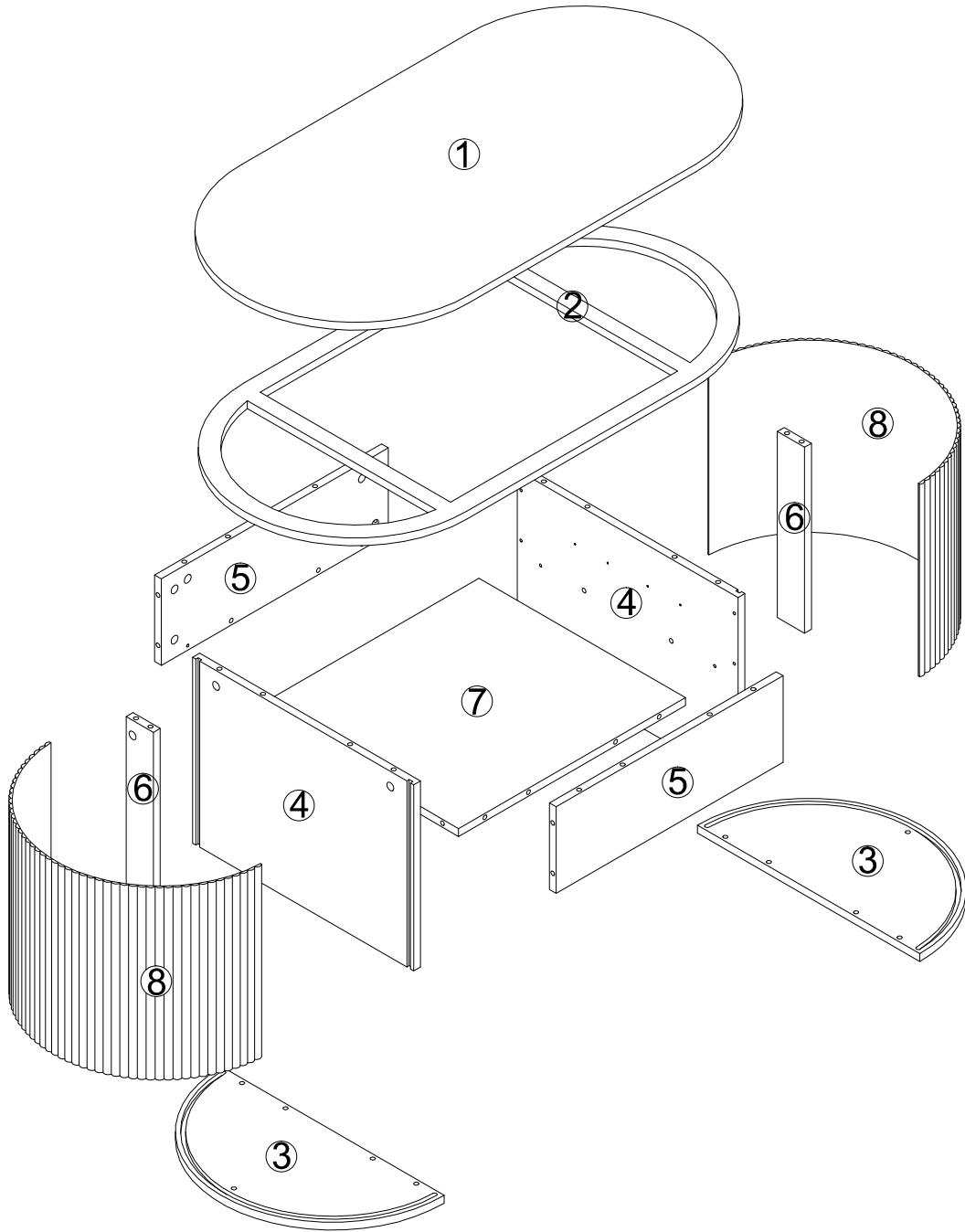


Turn cam lock clockwise to tighten.

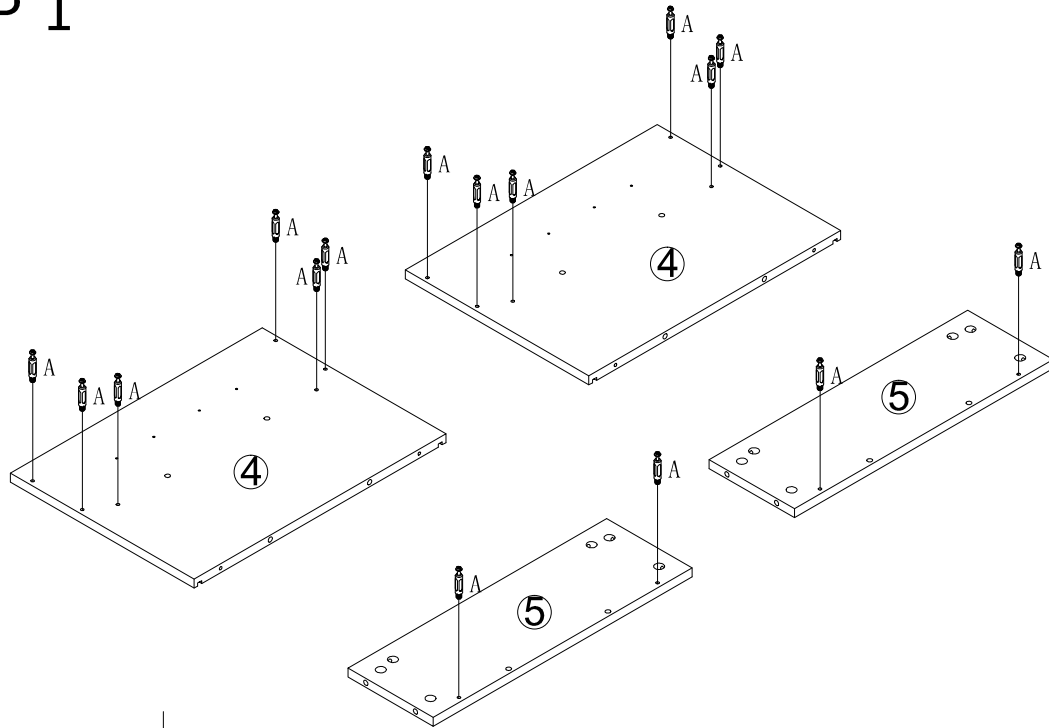
# Part List

<p><b>No. A</b> Quantity:26 Pcs Cam Lock Dowel 8*28mm</p> 	<p><b>No. B</b> Quantity:26 Pcs Cam Ø15</p> 	<p><b>No. C</b> Quantity:26 Pcs Sticker Ø20</p> 	<p><b>No. D</b> Quantity:22 Pcs Dowel 8*30mm</p> 
<p><b>No. E</b> Quantity:1 Sets Lifting rod</p> 	<p><b>No. F</b> Quantity:24 Pcs Screw M4*16mm</p> 	<p><b>No. G</b> Quantity:6 Pcs Screw M6*40mm</p> 	<p><b>No. H</b> Quantity:1 Pcs Allen Key 4#</p> 
<p><b>No. I</b> Quantity:6 Pcs Foot Pad Ø20</p> 			

# Product structure



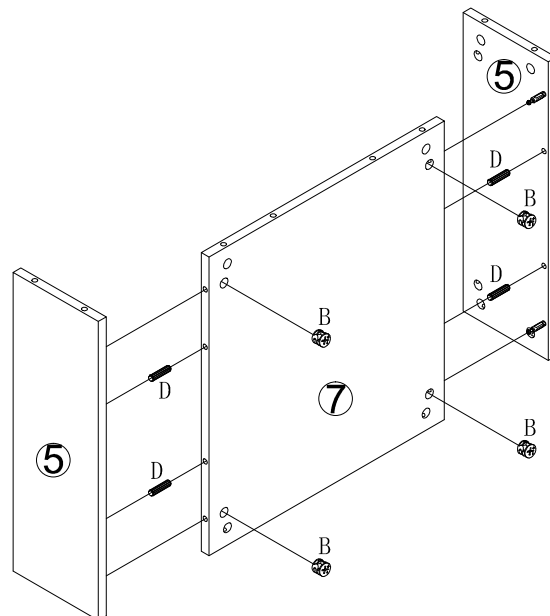
# STEP 1



No. A  
Quantity: 16 Pcs  
8\*28mm



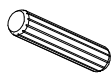
# STEP 2



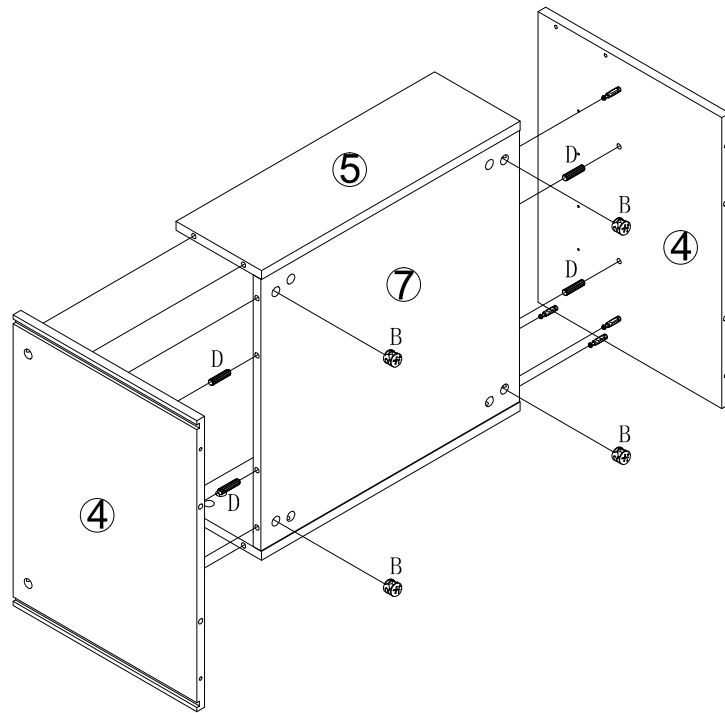
No. B  
Quantity: 4 Pcs  
Ø15



No. D  
Quantity: 4 Pcs  
8\*30mm



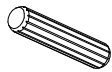
## STEP 3



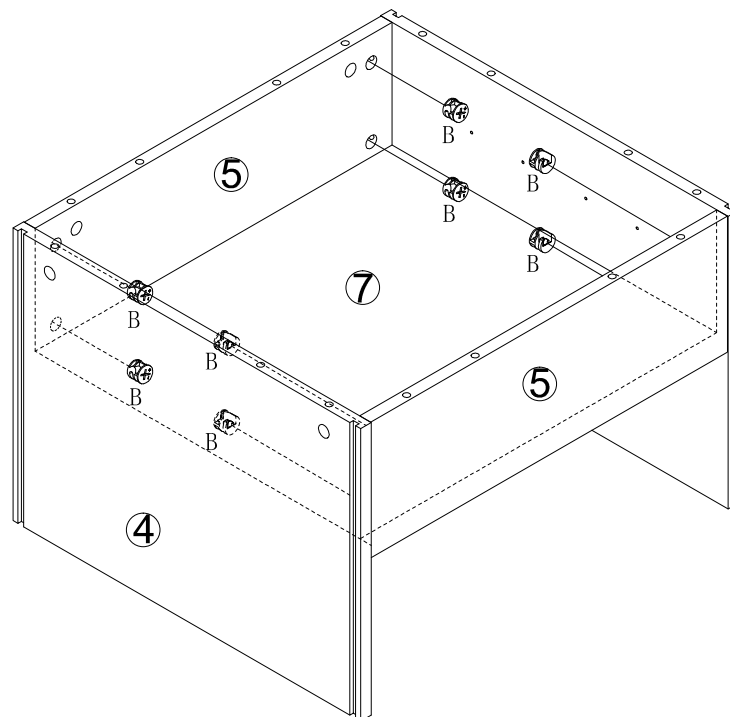
No. B  
Quantity: 4 Pcs  
Ø15



No. D  
Quantity: 4 Pcs  
8\*30mm



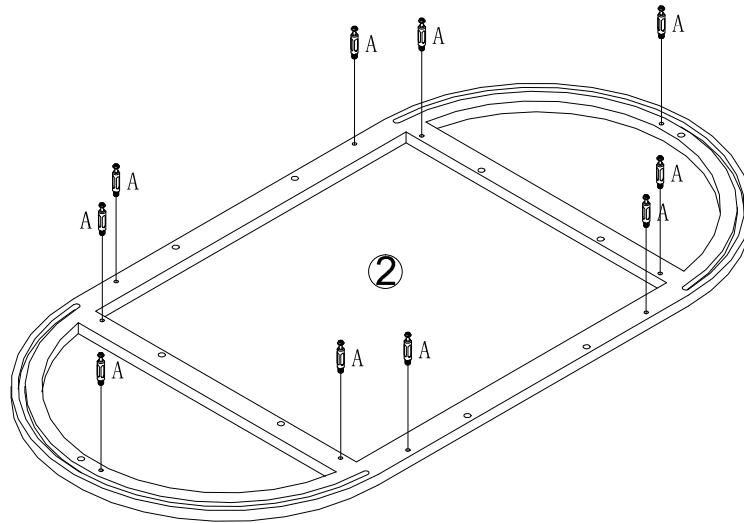
## STEP 4



No. B  
Quantity: 8 Pcs  
Ø15



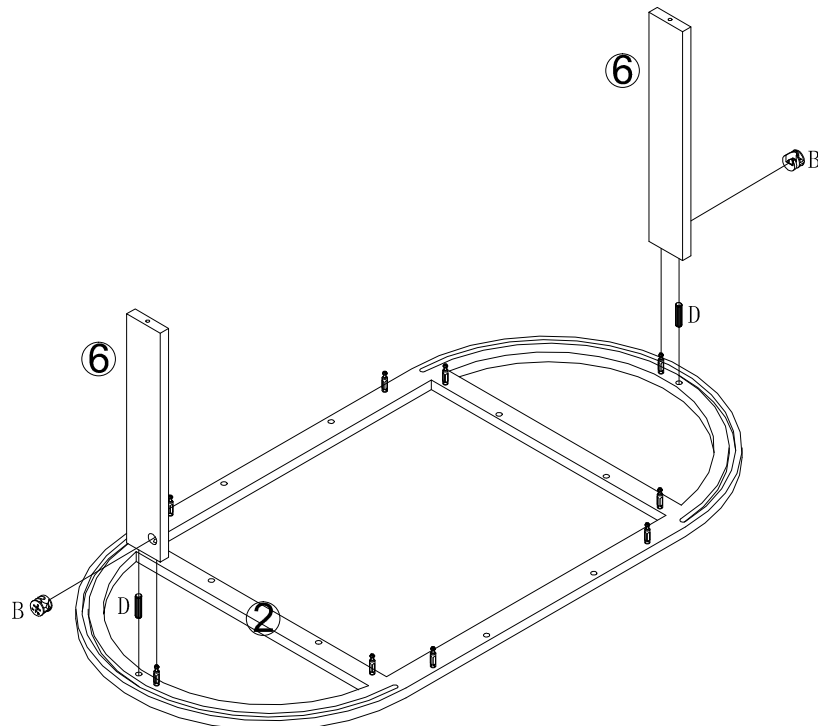
# STEP 5



No. A  
Quantity: 10 Pcs  
8\*28mm



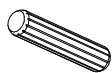
# STEP 6



No. B  
Quantity: 2 Pcs  
Ø15



No. D  
Quantity: 2 Pcs  
8\*30mm

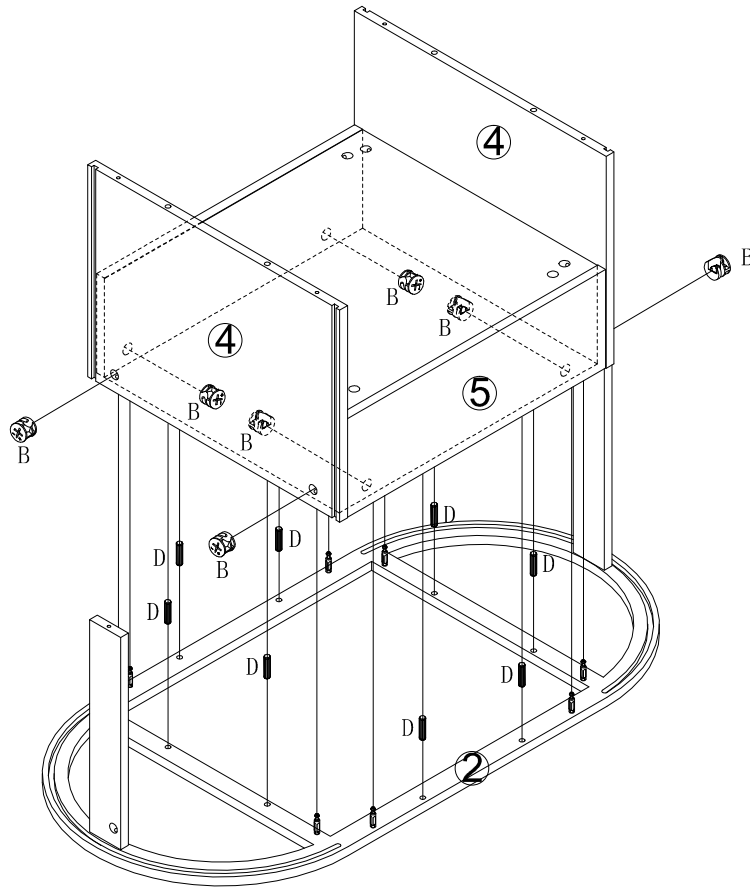
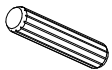


# STEP 7

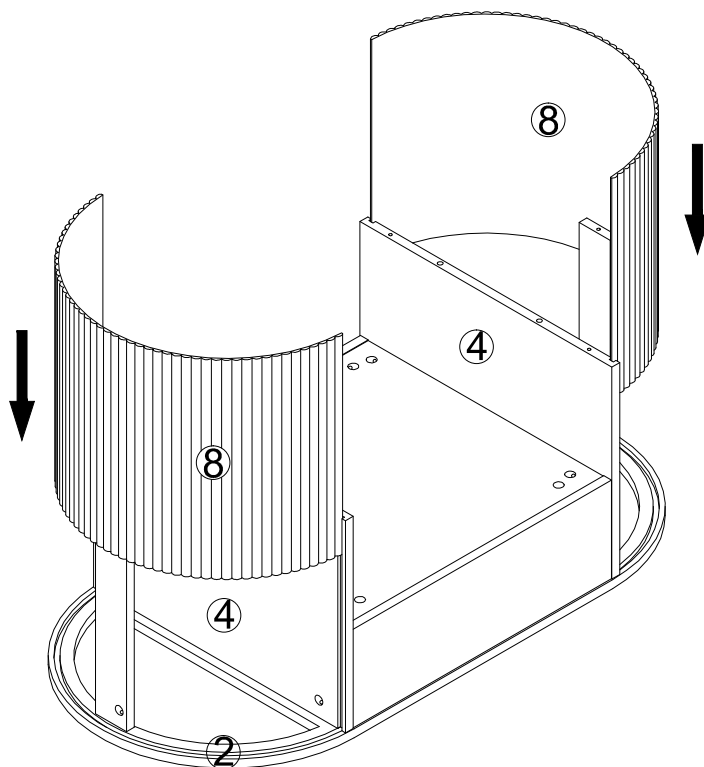
No. B  
Quantity: 8 Pcs  
Ø15



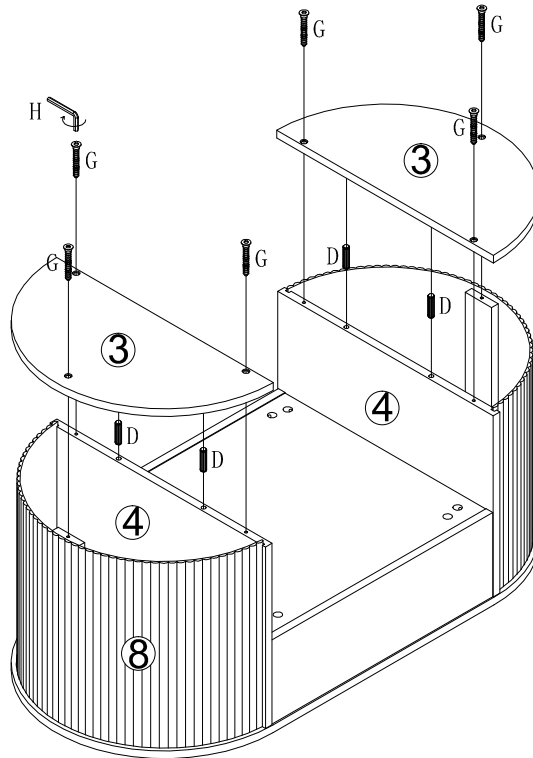
No. D  
Quantity: 8 Pcs  
8\*30mm



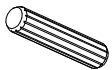
# STEP 8



## STEP 9



No. D  
Quantity: 4 Pcs  
8\*30mm



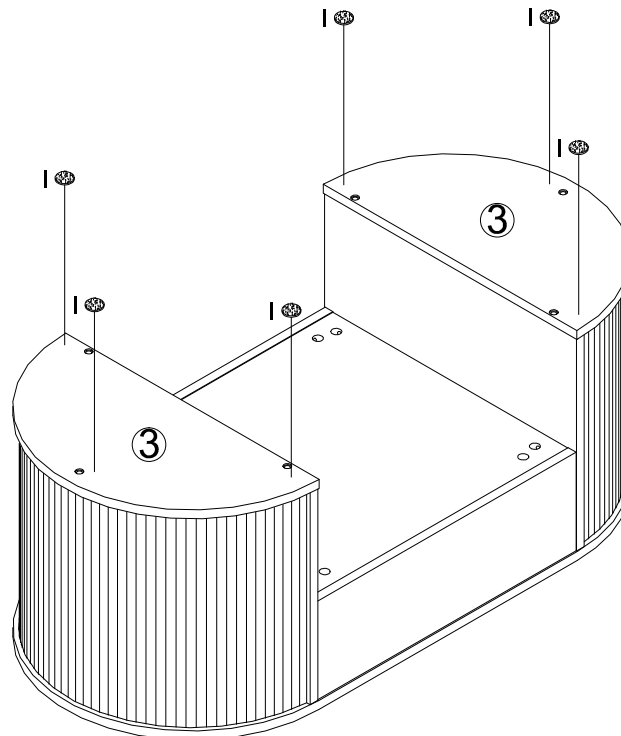
No. G  
Quantity: 6 Pcs  
M6\*40mm



No. H  
Quantity: 1 Pcs  
4#



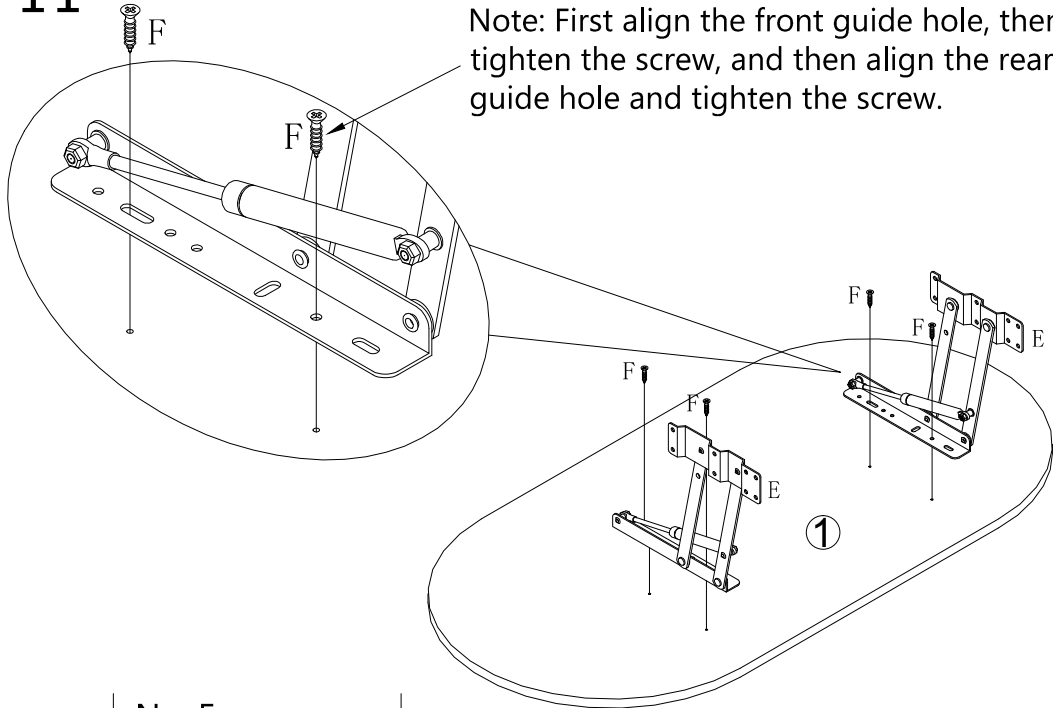
## STEP 10



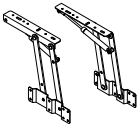
No. I  
Quantity: 6 Pcs  
Ø20



## STEP 11



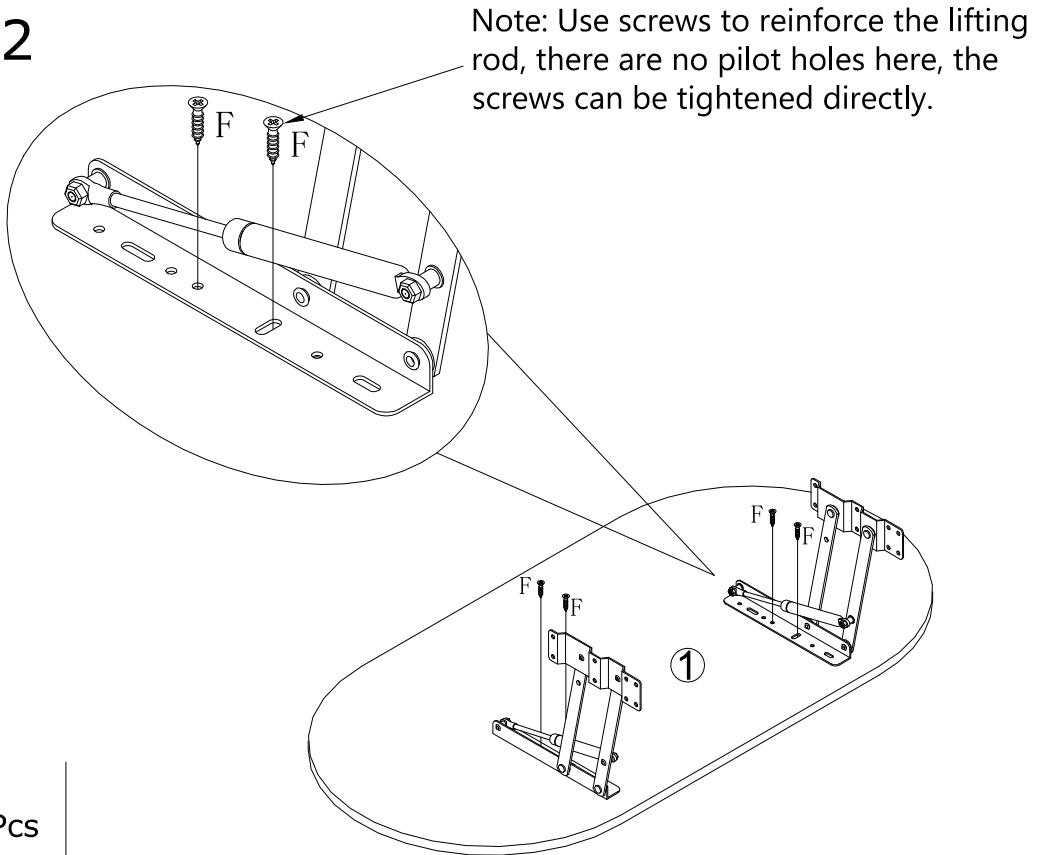
No. E  
Quantity: 1 Sets



No. F  
Quantity: 4 Pcs  
M4\*16mm



## STEP 12

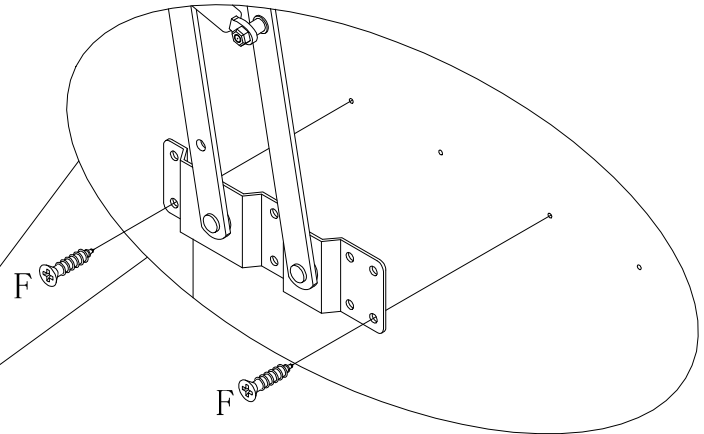
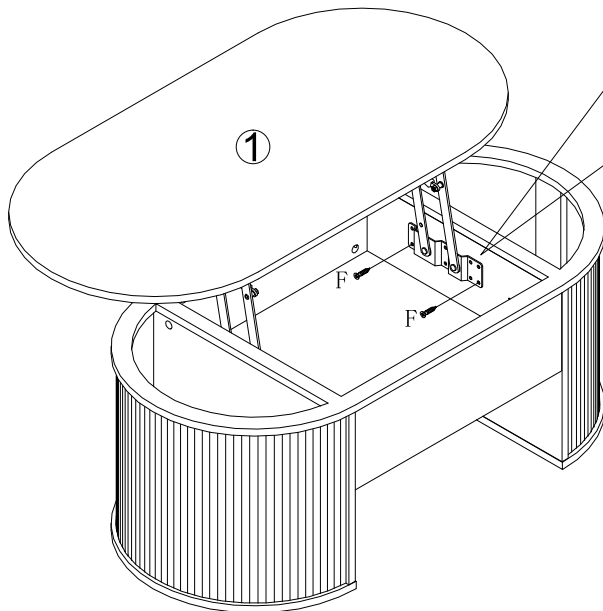


No. F  
Quantity: 4 Pcs  
M4\*16mm

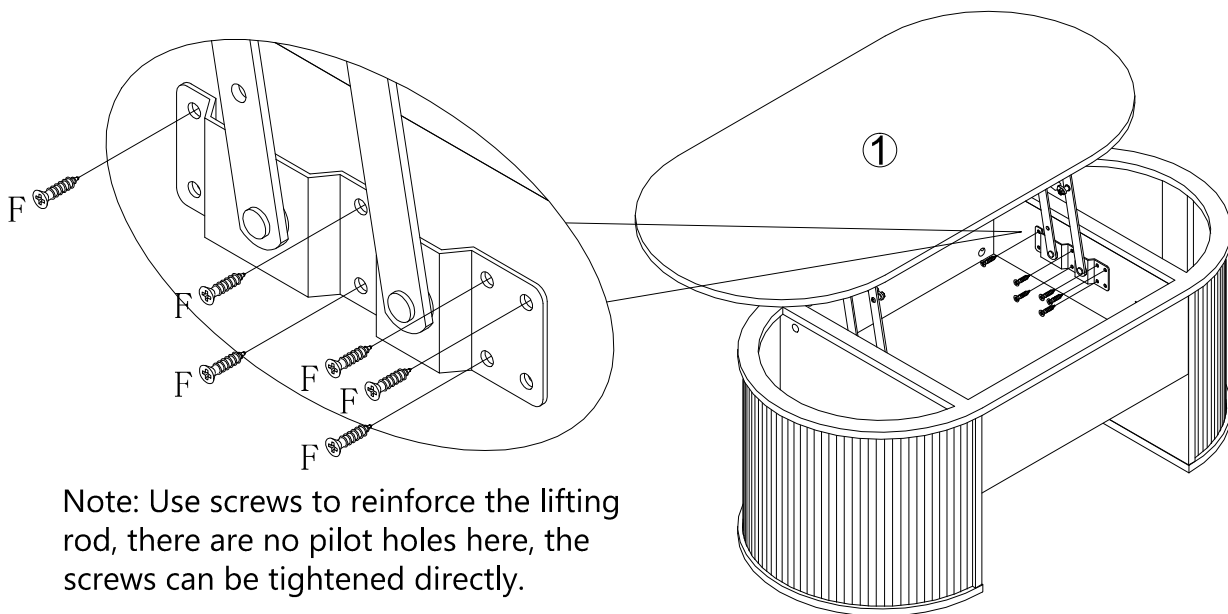
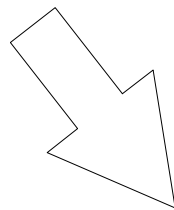


# STEP 13

Note: Two people are required to install the panel.



Note: First, align the two holes of the lifting rod with these two guide holes and tighten them with screws.



Note: Use screws to reinforce the lifting rod, there are no pilot holes here, the screws can be tightened directly.

No. F  
Quantity: 16 Pcs  
M4\*16mm

