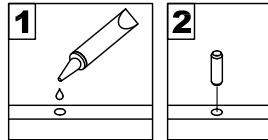
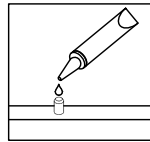


General Assembly Guidelines

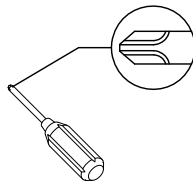
- I. Ensure that all parts and hardware are available before beginning assembly.
- II. Follow each step carefully to ensure the proper assembly of this product.
- III. Two people are recommended for ease in the assembly of this product.
- IV. The three main types of hardware used to assemble this product are: wood dowels, screws and bolts.
- V. The provided glue is to secure wood dowels in place. When first inserting dowels, locate the appropriate hole for the dowel, place a small amount of glue in the hole and insert the dowel. Wipe away excess glue immediately.



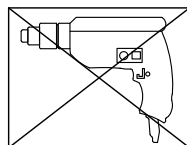
In future assembly steps when dowels are necessary to attach assembly parts together, place a small amount of glue on the end of the dowel before attaching parts together. Wipe away excess glue immediately.



- VI. A Phillips head screwdriver is required for the assembly of this product.

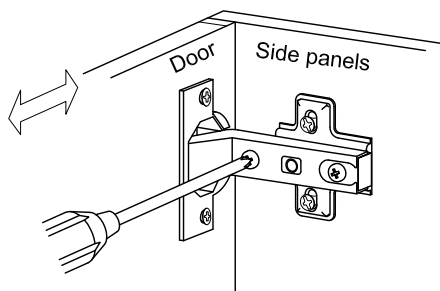


- VII. Power tools should not be used to assemble this product.

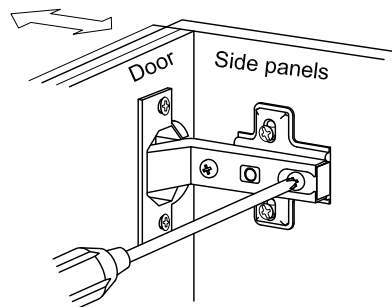


- VIII. Drill may be needed for securing product to wall.

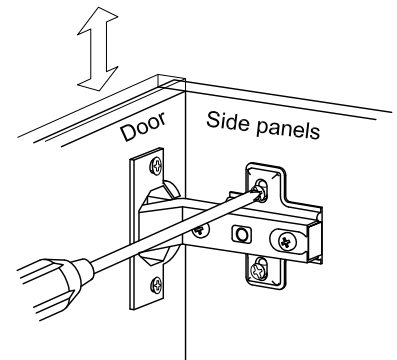
- IX. Concealed hinges are three-way adjustable.



Horizontal
by screw adjustment

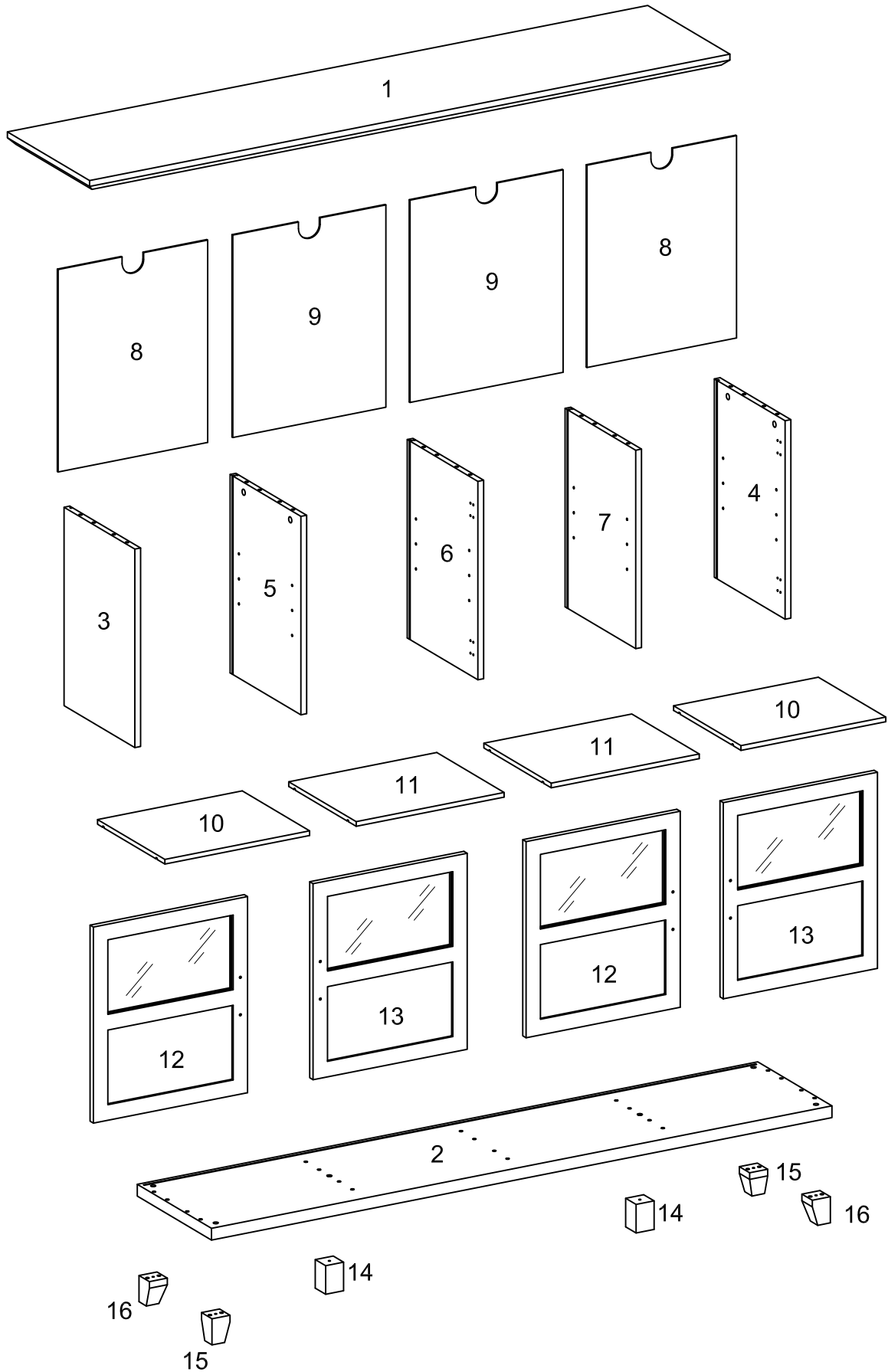


In-and-Out
by loosening the hinge-arm
mounting screw or via cam
adjustment


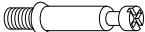




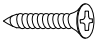

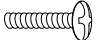

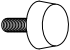
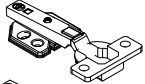
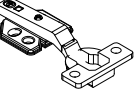
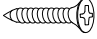




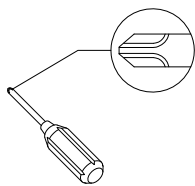
Vertical
Via slots in the mounting
plate or via cam adjustment

Parts List



Hardware List

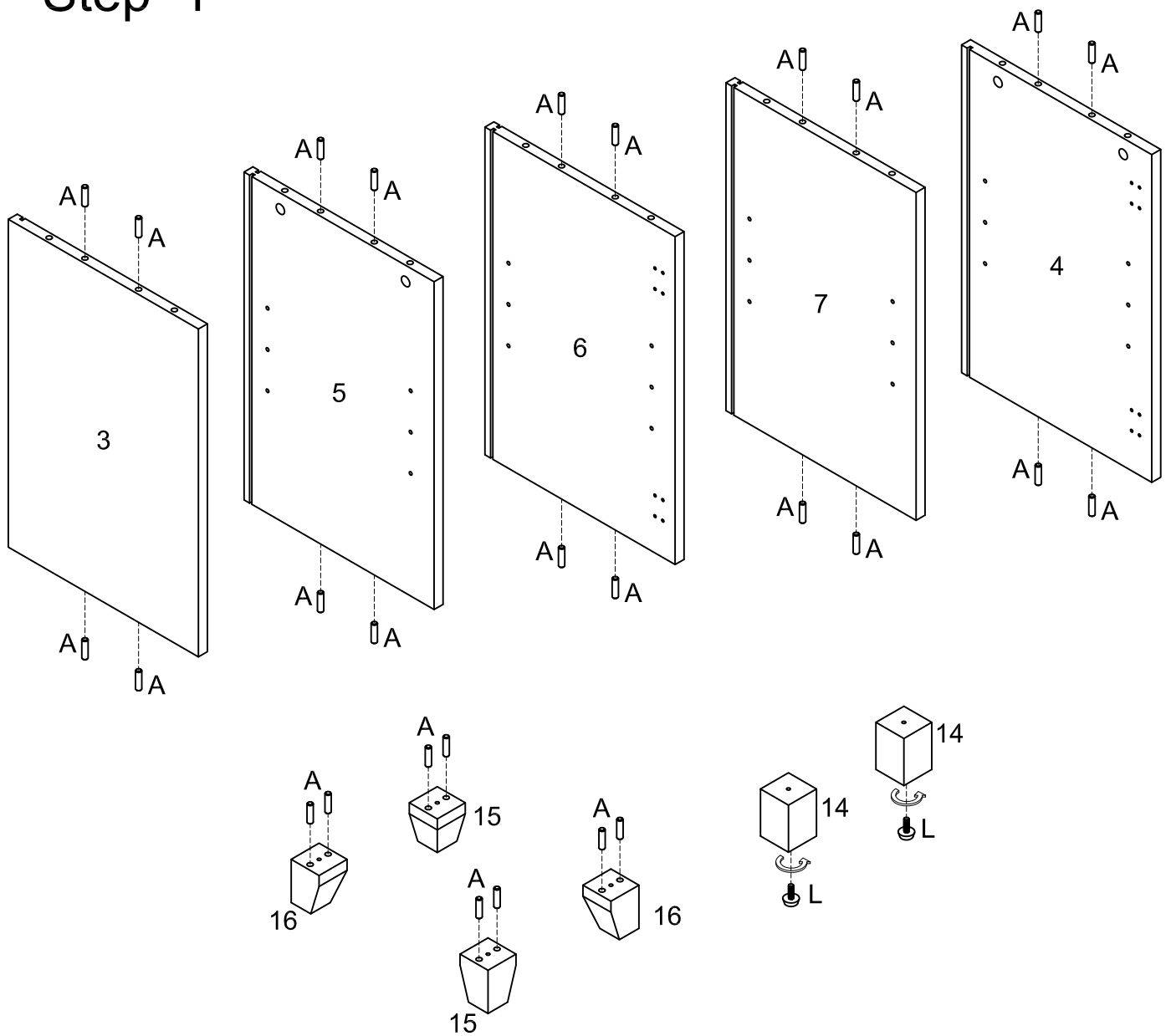
| | | | | |
|---|---|-----------|-------------------|--------|
| A |  | Ø8x30mm | Wooden dowel | 28 pcs |
| B |  | Ø8x35mm | Cam bolt | 10 pcs |
| C |  | Ø15x11mm | Cam lock | 10 pcs |
| D |  | Ø30mm | Sticker | 14 pcs |
| E |  | Ø6x50mm | Bolt | 16 pcs |
| F |  | | Plastic wedge | 16 pcs |
| G |  | Ø3x17mm | Screw | 16 pcs |
| H |  | | Handle | 4 pcs |
| J |  | Ø4x22mm | Bolt | 8 pcs |
| K |  | | Shelf support pin | 16 pcs |
| L |  | | Adjustable foot | 2 pcs |
| M |  | | Hinge | 4 pcs |
| N |  | | Hinge | 4 pcs |
| P |  | Ø3.5x14mm | Screw | 48 pcs |
| Q |  | 4mm | Hex Key | 1 pc |
| R |  | | Glue tube | 1 pc |



Philips head screwdriver required for assembly
(not included)

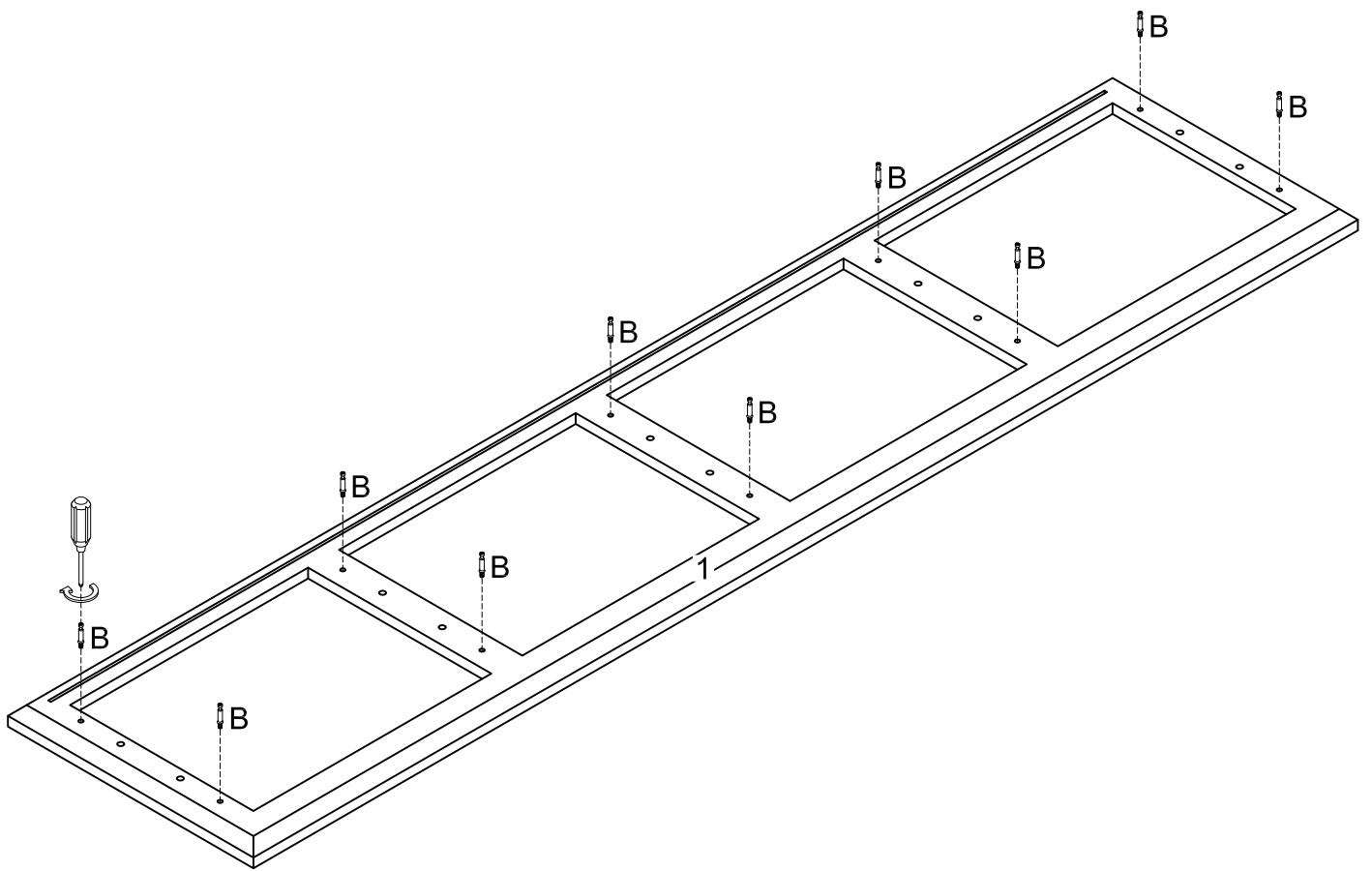
*The hardware quantities listed above are required for proper assembly.
Some extra hardware may also have been included.*

Step 1



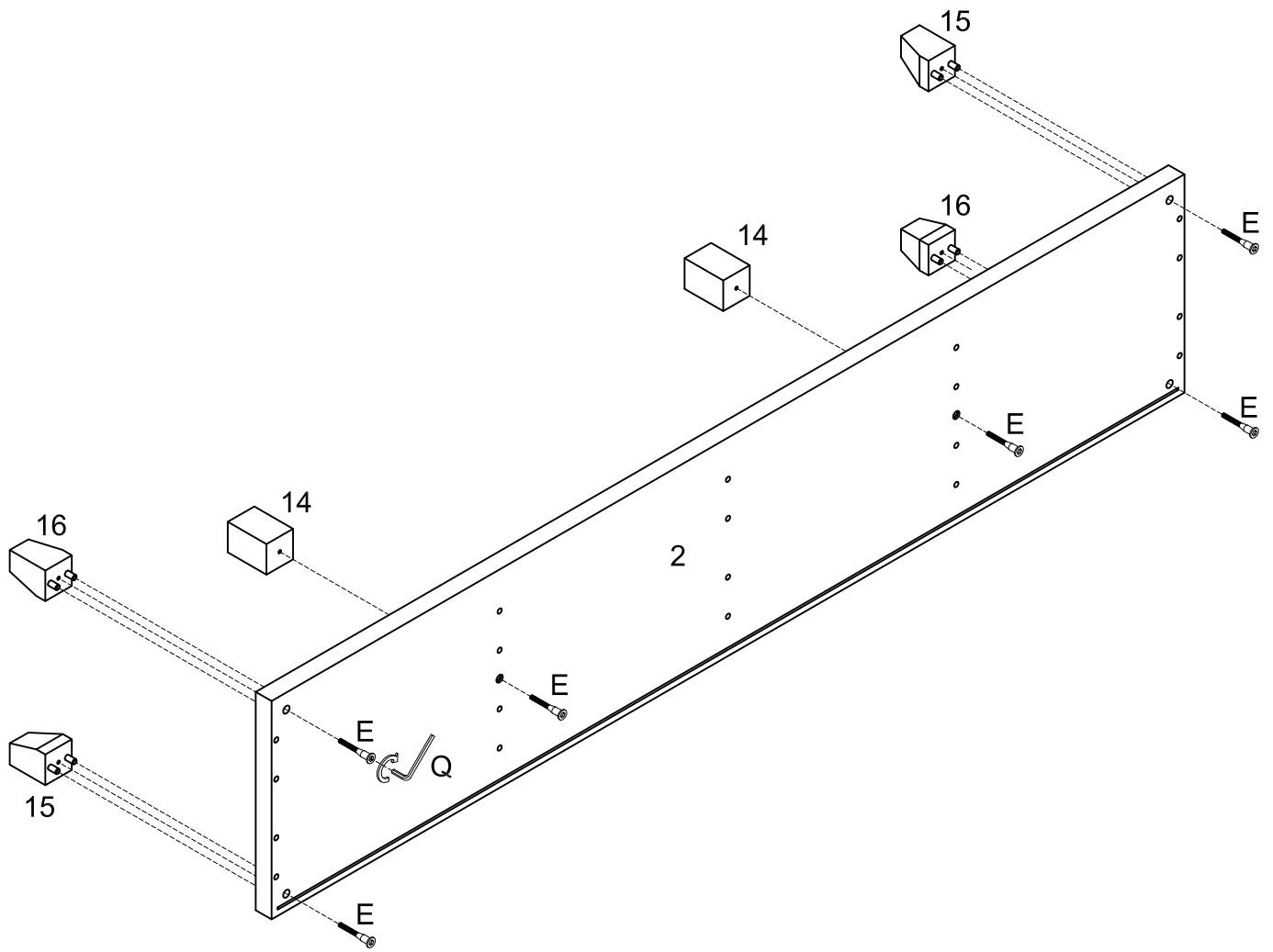
Put wooden dowel (A) to parts (3,4,5,6,7,15,16), secure adjustable foot (L) to part (14) as per diagram.

Step 2



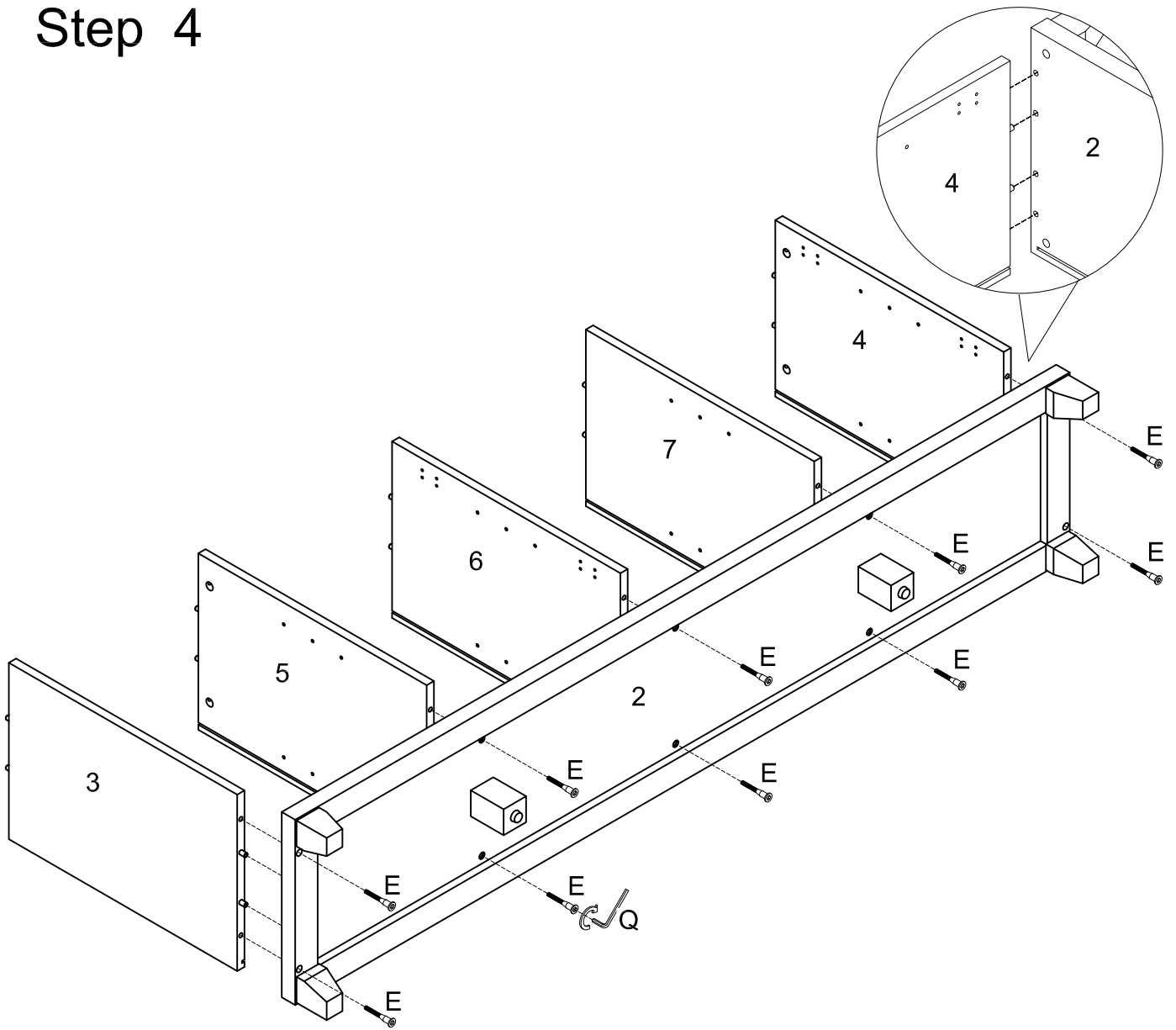
Put cam bolt (B) into part (1) secure with Philips head screwdriver.

Step 3



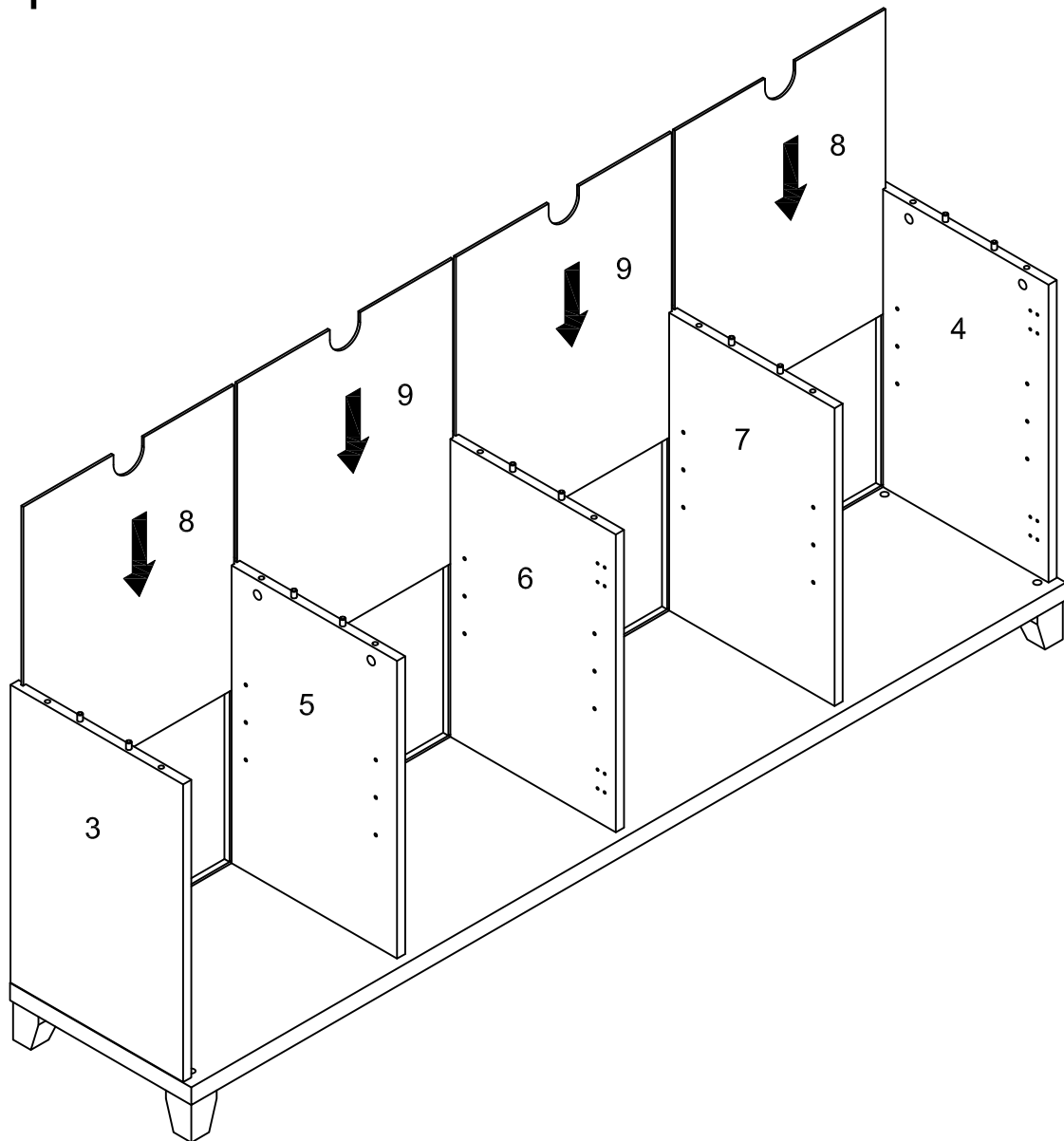
Using bolt (E) secure parts (14,15,16) with hex key (Q) as per diagram.

Step 4



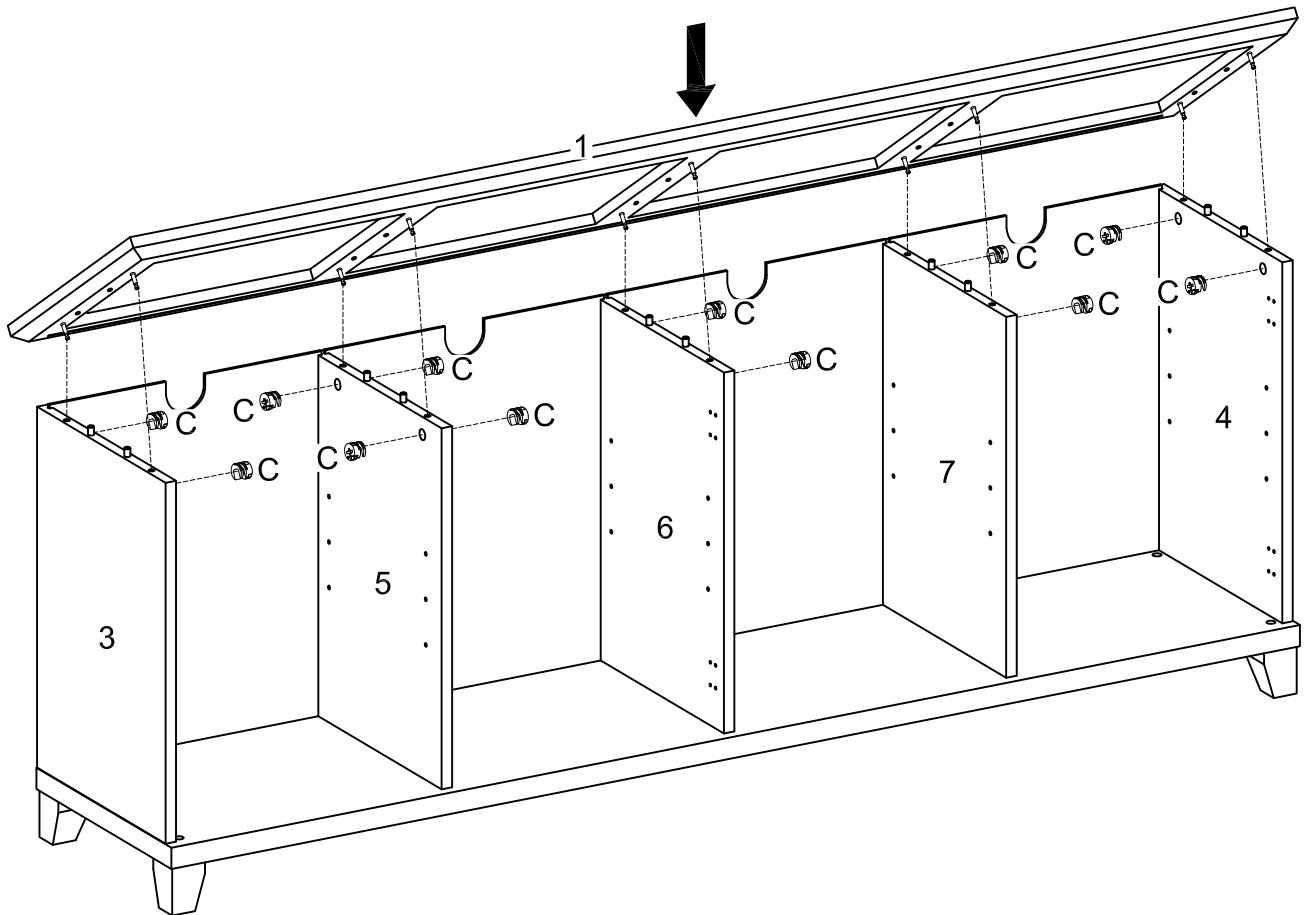
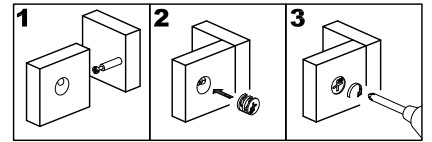
Using bolt (E) secure part (2) to parts (3,4,5,6,7) with hex key (Q) as per diagram.

Step 5



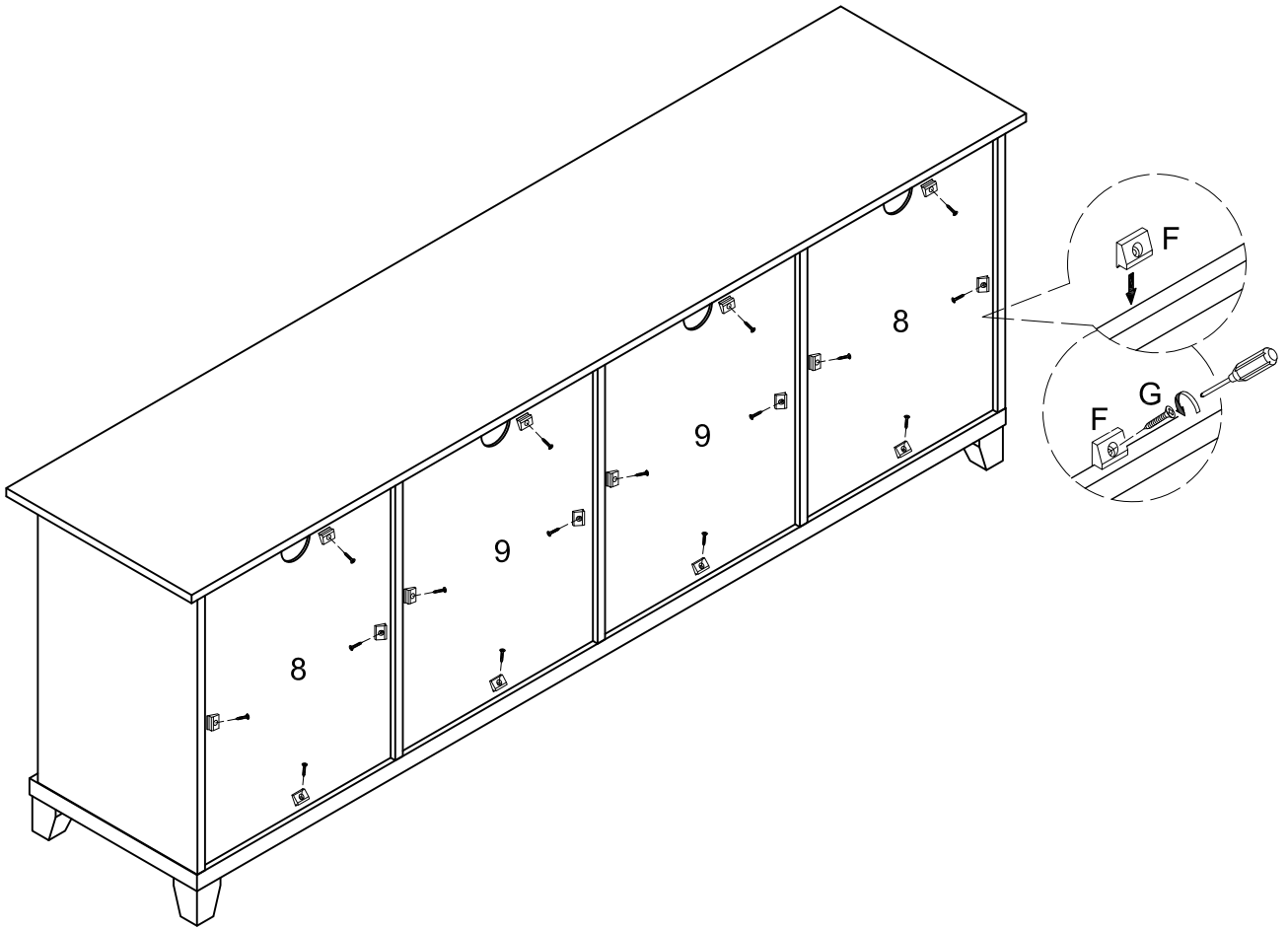
Put parts (8,9) to parts (3,4,5,6,7) as per diagram.

Step 6



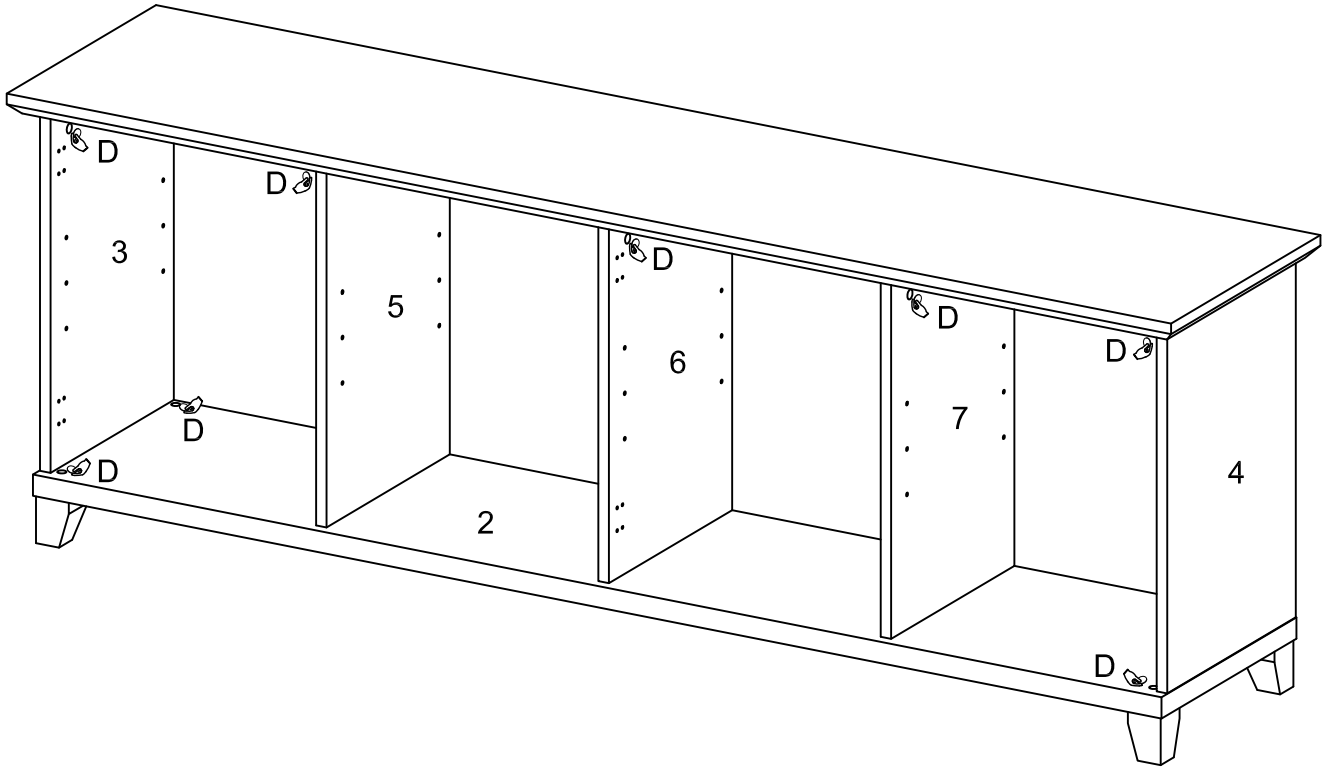
Using cam lock (C) insert part (3,4,5,6,7) to part (1) on the top secure with Philips head screwdriver as per diagram.

Step 7



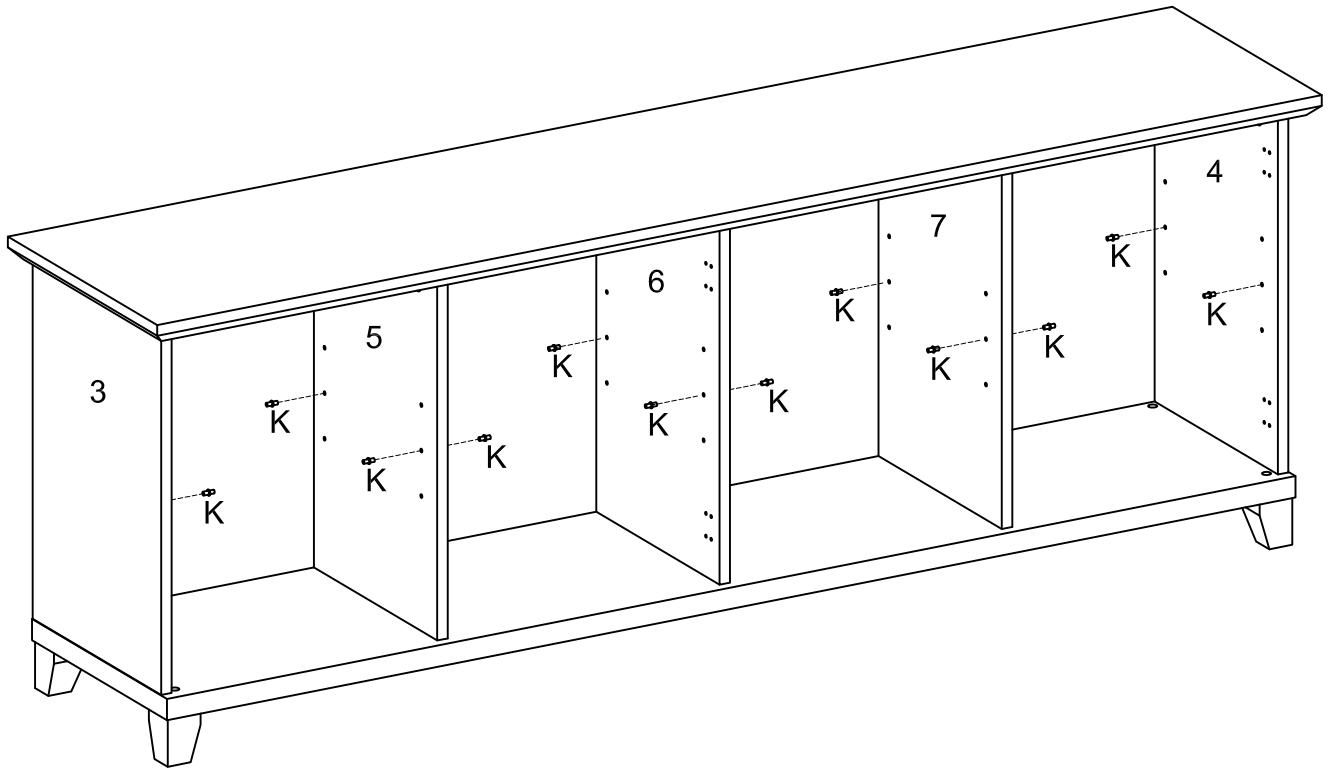
Using screw (G) insert plastic wedge to parts (8,9) with Philips head screwdriver as per diagram.

Step 8



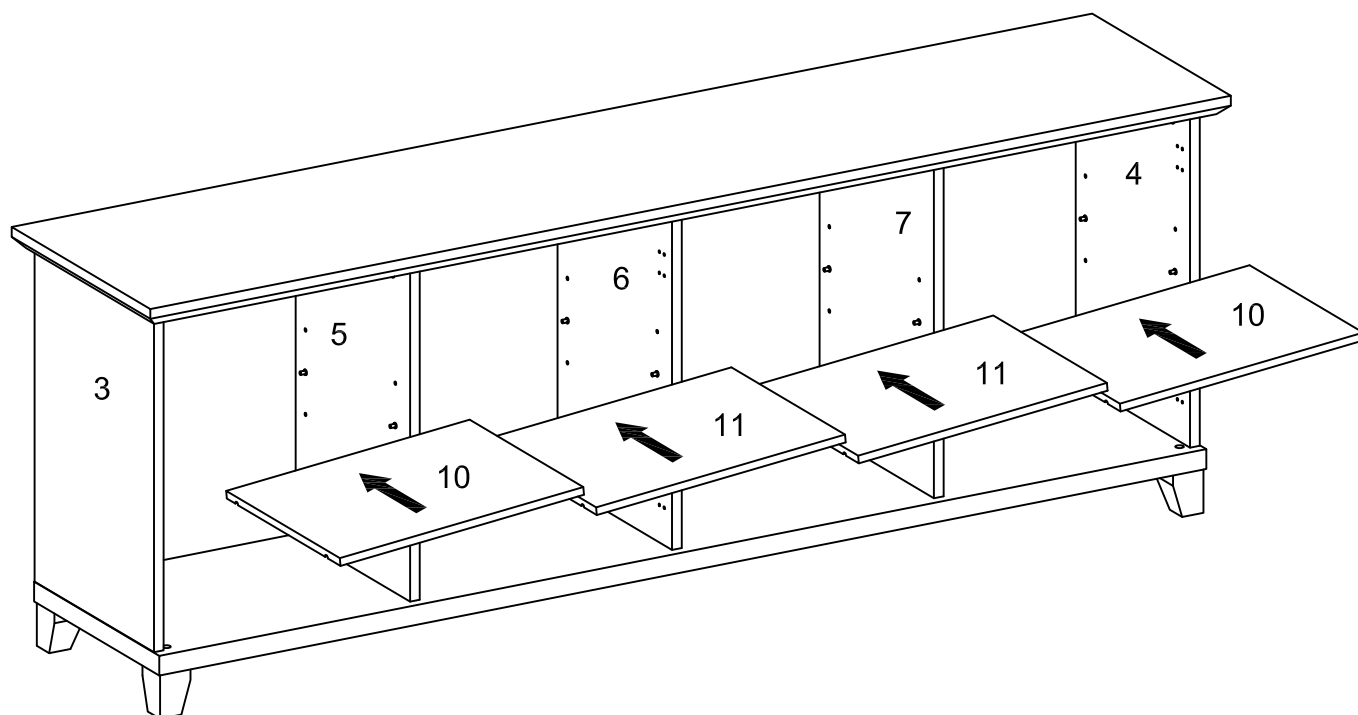
Place sticker (D) cover the hole on parts (2,3,4,5,6,7) as per diagram.

Step 9



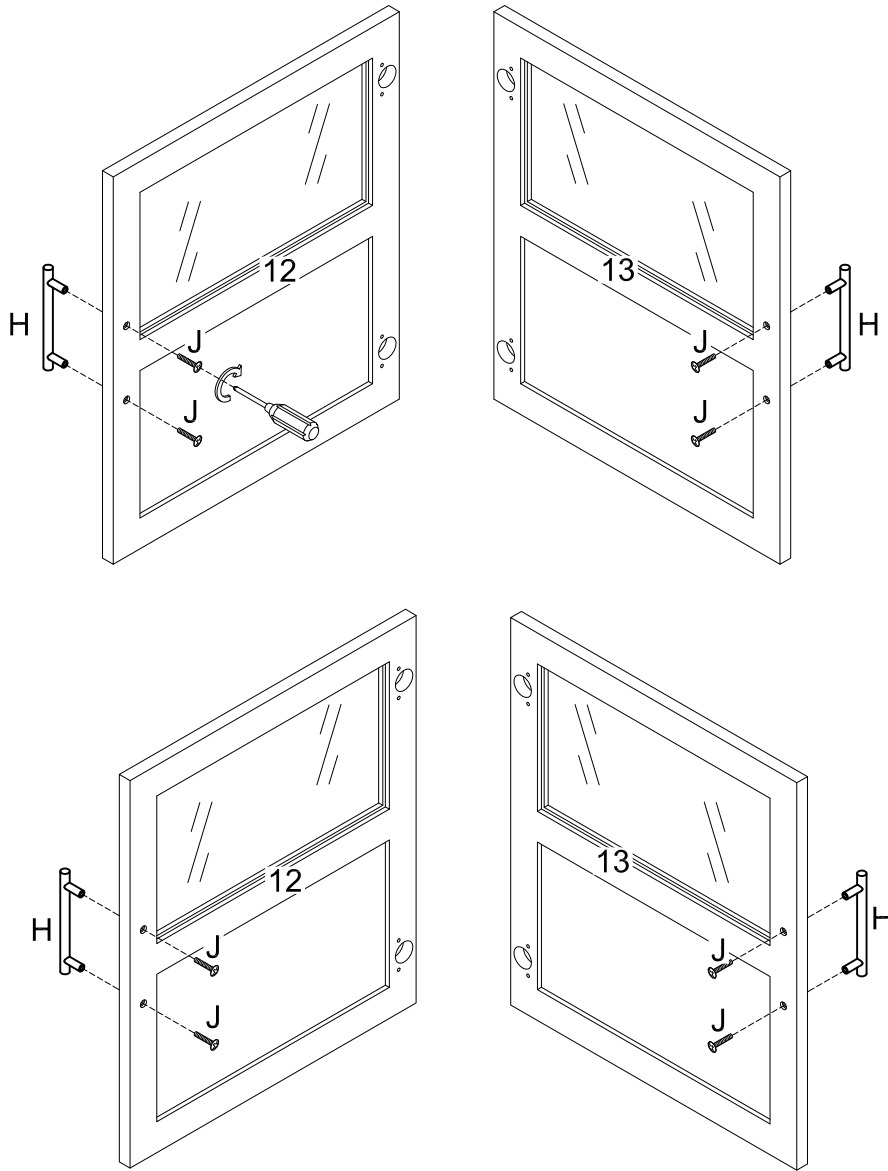
Put shelf support pin (K) into parts (3,4,5,6,7,) as per diagram.

Step 10



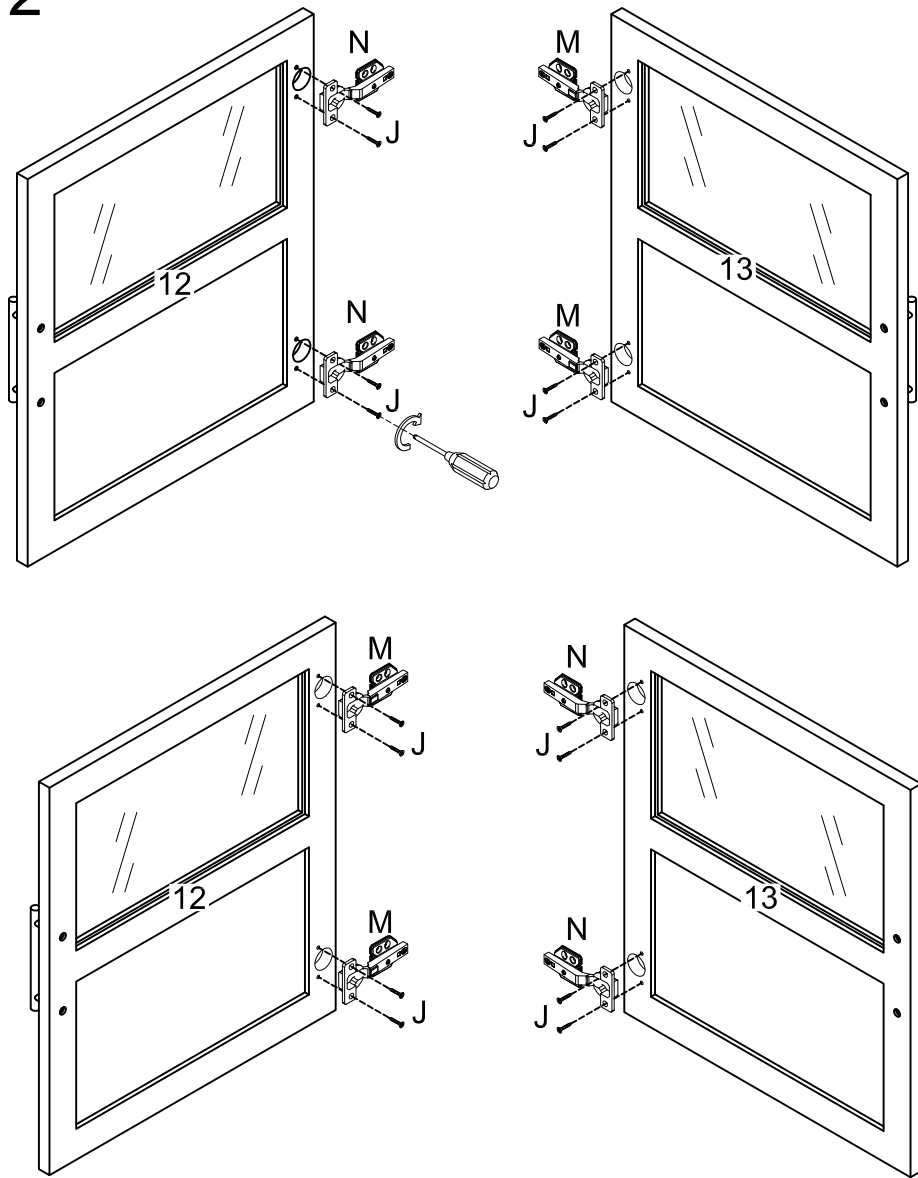
Put parts (10,11) into parts (3,4,5,6,7) as per diagram.

Step 11



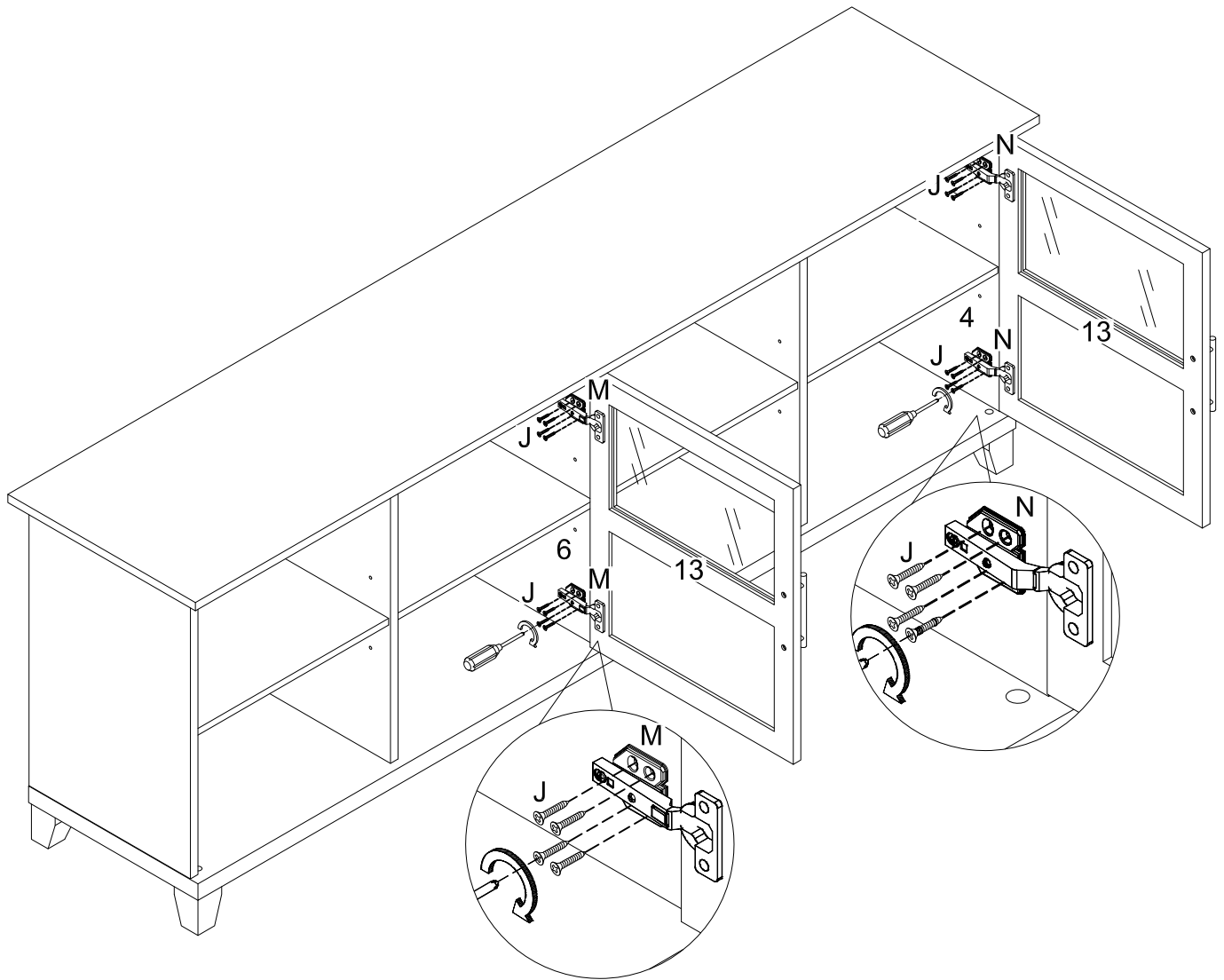
Using bolt (J) to parts (12,13) to handle (H) with Philips head screwdriver as per diagram.

Step 12



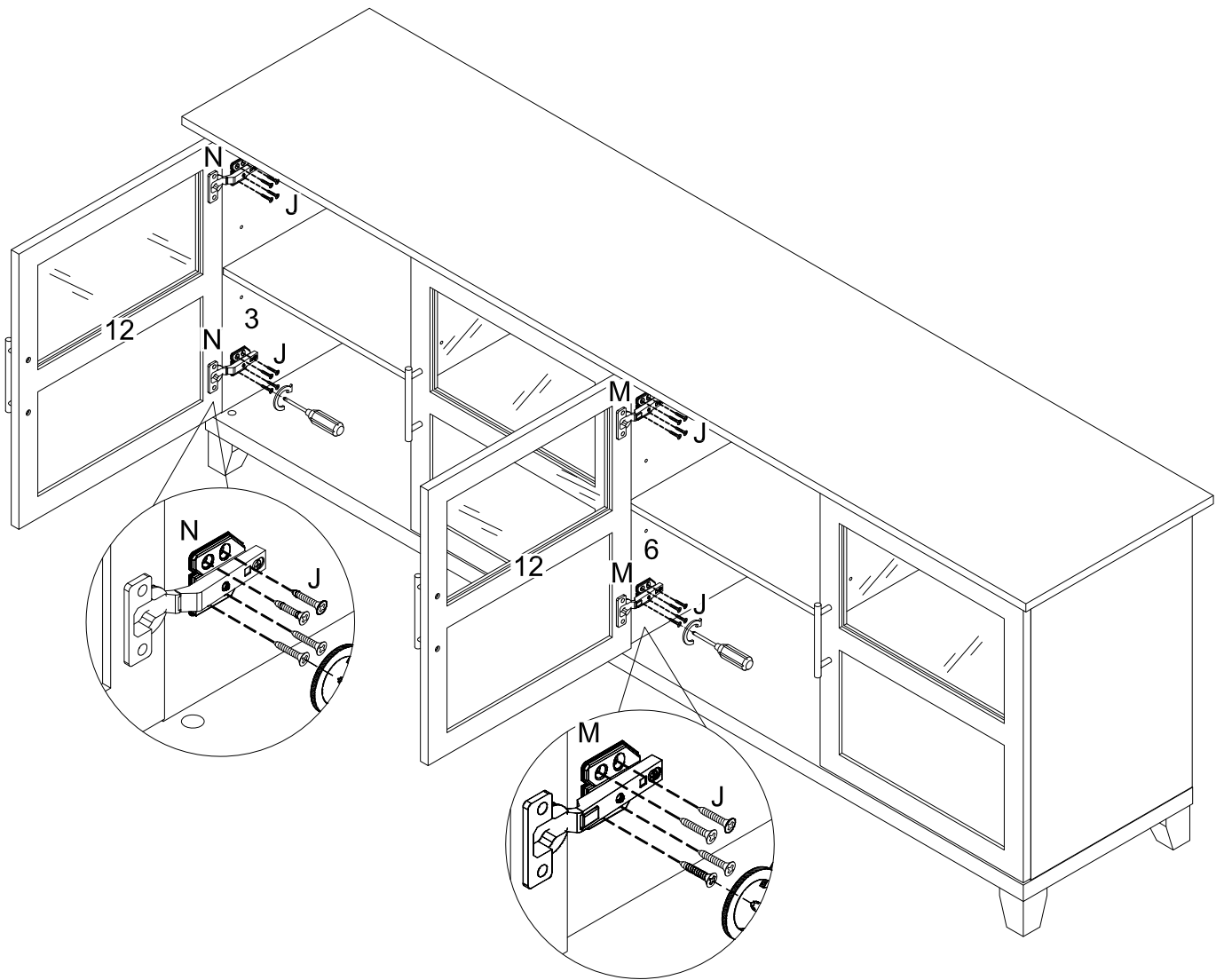
Using bolt (J) secure hinge (M,N) to parts (12,13) with Philips head screwdriver as per dia gram.

Step 13



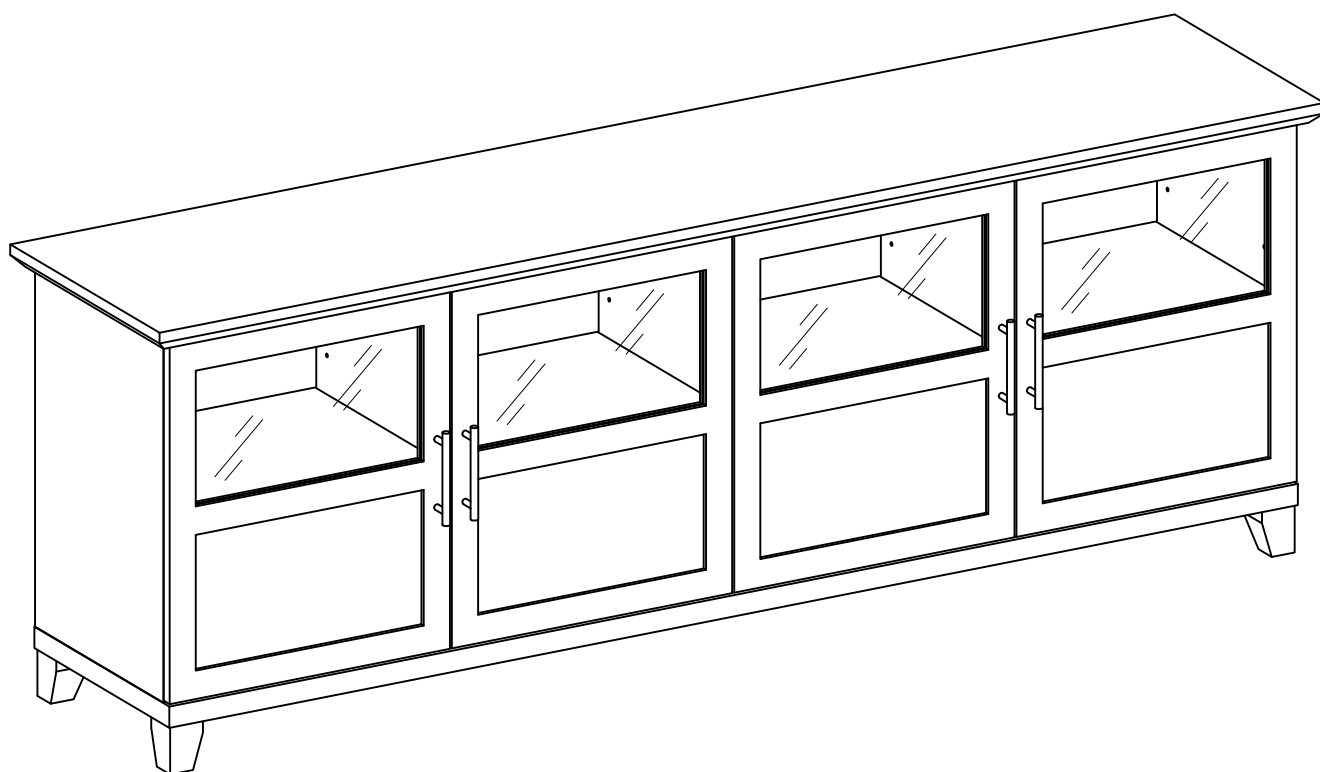
Using bolt (J) secure to hinge (M,N) to parts (4,6,13) with Philips head screwdriver as per diagram.

Step 14



Using bolt (J) secure to hinge (M,N) to parts (3,6,13) with Philips head screwdriver as per diagram.

Step 15



Final Assembly