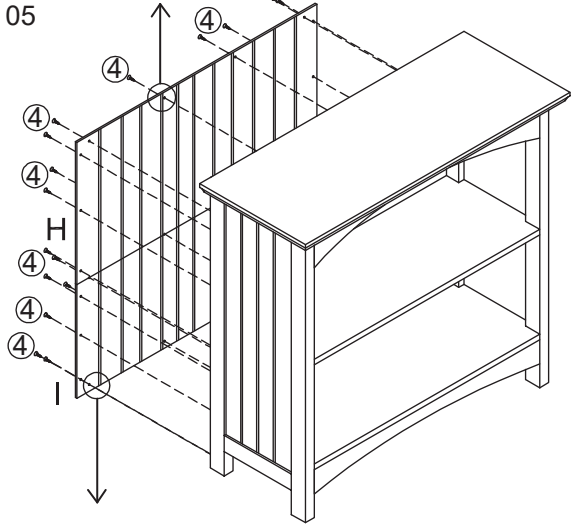
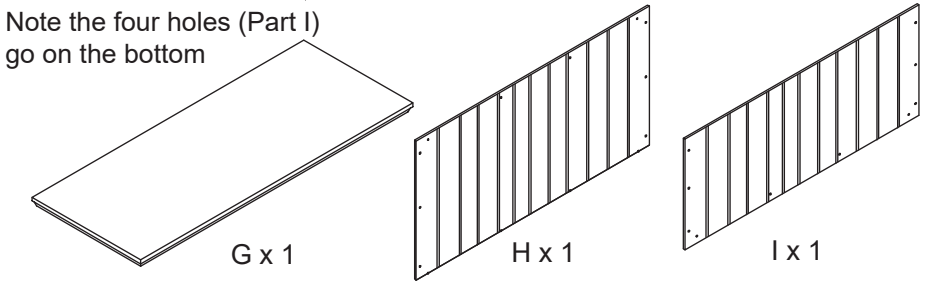


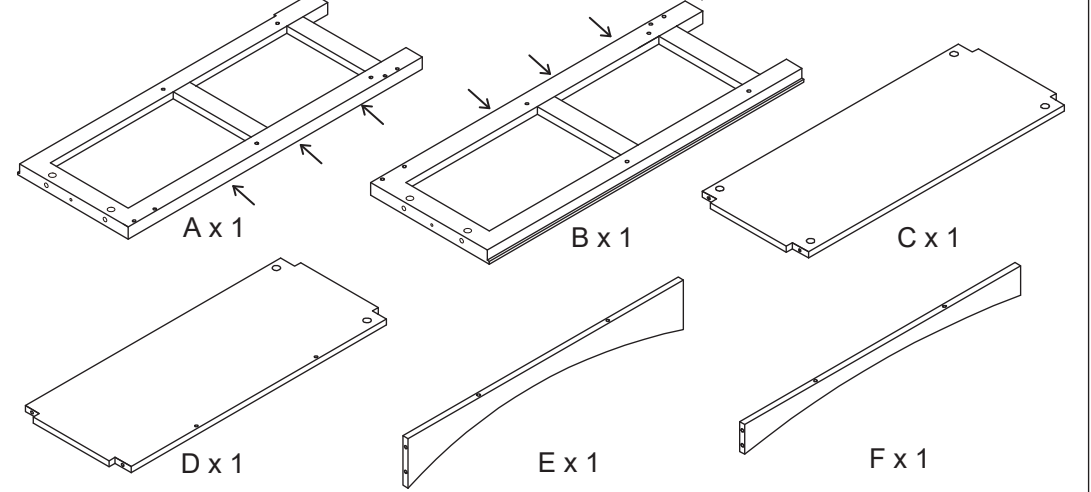
Please note the four holes (Part H) connect to the top







Note the four holes (Part I) go on the bottom



Please note Part A and B have a flat side that is designed to face the front



-  ① x 14
-  ② x 12
-  ③ x 12
-  ④ x 24

We do not recommend using power tool!