



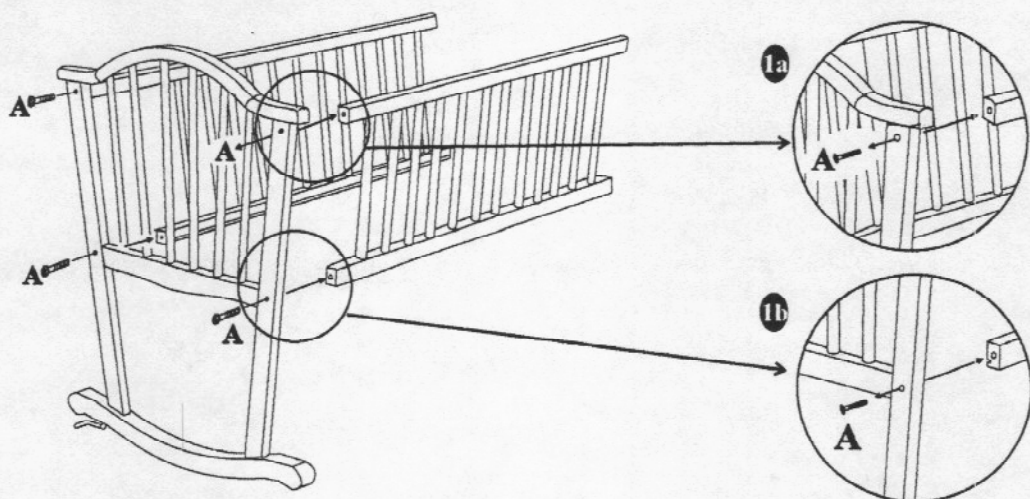
Distributed by:  
DREAM ON ME INC.  
219 36th Street Brooklyn,  
NY 11232  
MADE IN CHINA

645



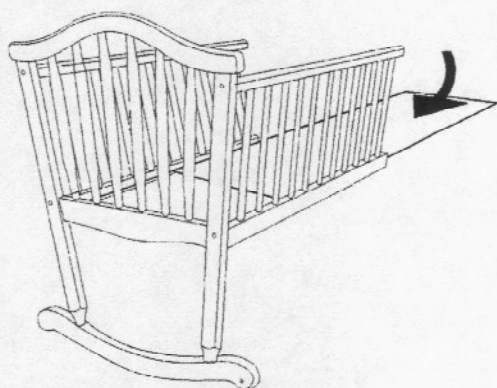
- ⚠WARNING:** Contains bolts and other small parts that may present a choking hazard for children. This unit must be assembled by an adult.
- ▶ **CAUTION:** Periodically check the safety of your product by making certain all screws, nuts, and bolts are tightened securely.
  - ▶ **To clean,** wash with mild soap and a damp cloth. Do not use abrasives. Avoid furniture polish that may be hazardous to a child. If refinishing, use a non-toxic finish specified for Children's product.

**1**

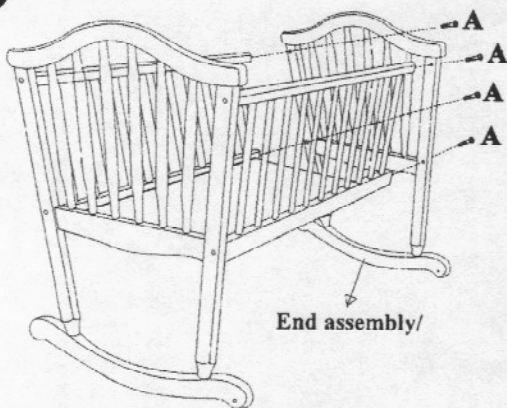


**2**

Panel MDF/

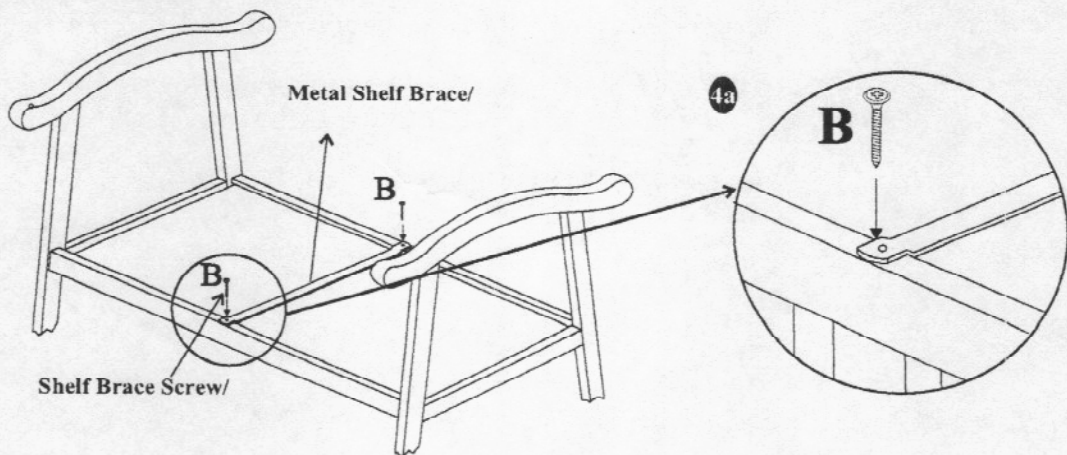


**3**



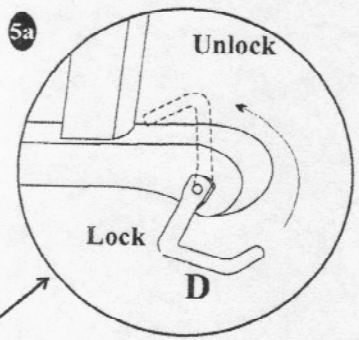
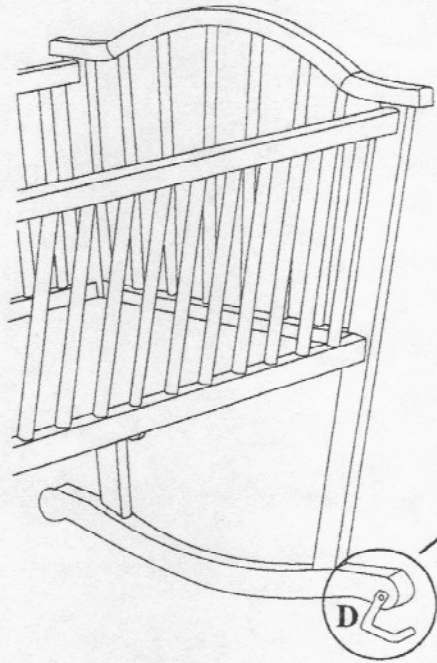
**4**

Metal Shelf Brace/

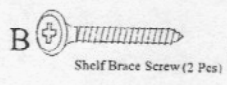
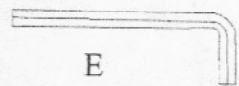
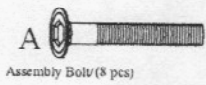


Shelf Brace Screw/

5



Hardware Bag



Factory Assembled

