

# ASSEMBLY INSTRUCTION



# ASSEMBLY INSTRUCTION

Please read these instructions fully before starting assembly :

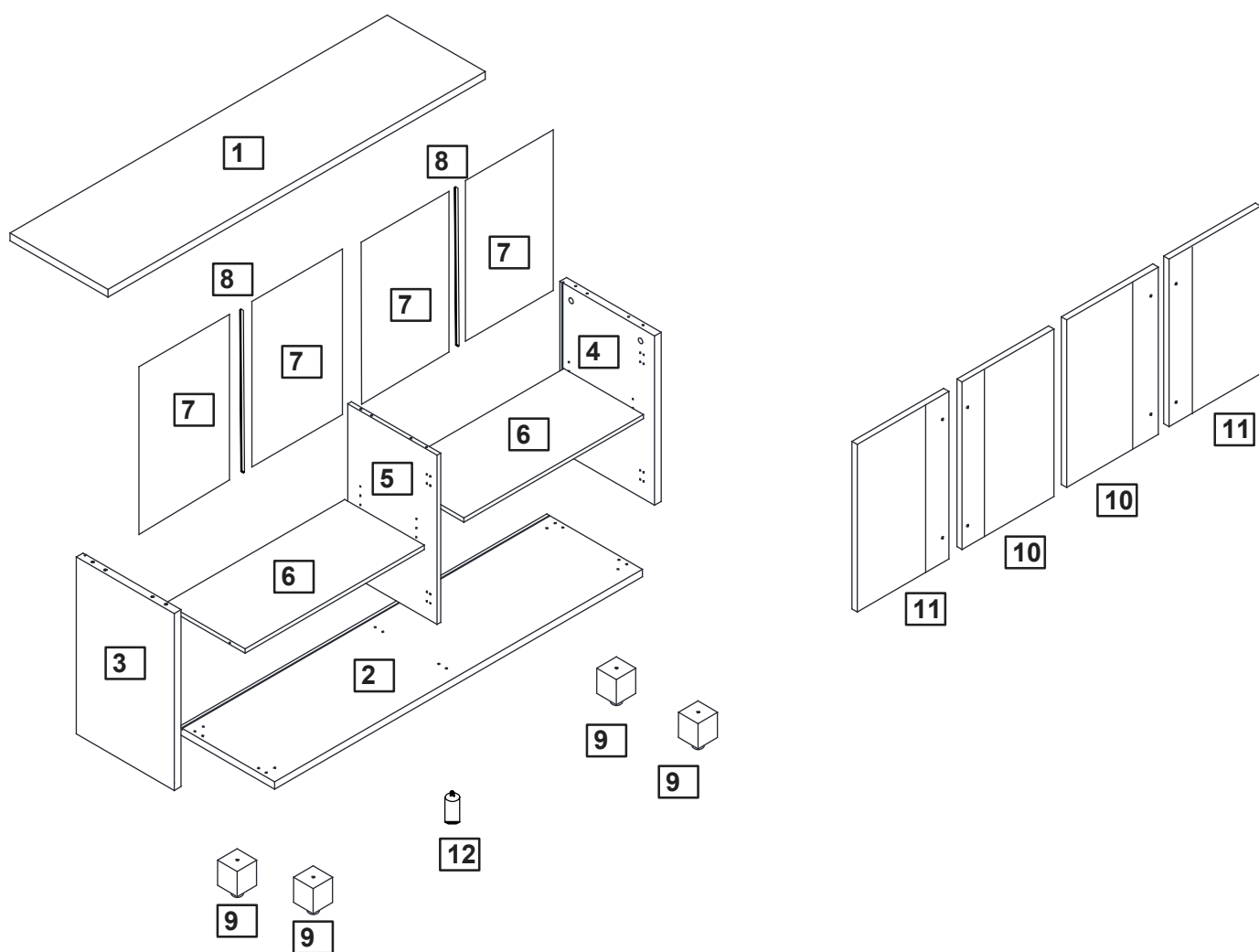
Tools required: Phillips screwdriver (medium & large)

1. Check you have all the components and tools listed on the following pages.
2. Remove all fittings from the plastic bags and separate them into their groups.
3. Keep children and animals away from the work area, small parts could choke if swallowed.
4. Make sure you have enough space to layout the parts before starting.
5. During assembly do not stand or put weight on the product, this could cause damage.
6. Assemble the item as close to its final position (in the same room) as possible.
7. Assemble on a soft level surface to avoid damaging the unit or your floor.
8. Parts of the assembly will be easier with 2 people.
9. To reduce the likelihood of damaging your product please ensure that your power drill is set on a low torque setting.
10. Assemble all parts and bolts loosely during assembly, only once the product is complete should you fully tighten the bolts.
11. Regularly check and ensure That all bolts and fittings are tightend properly.
12. Please do not place items that exceed the load capacity.

## Care and maintenance

Only clean using a damp cloth and mild detergent, do no use bleach or abrasive cleaners.

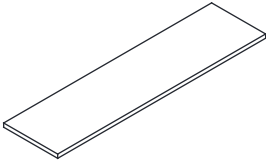
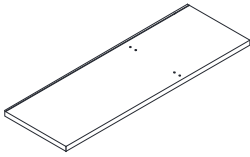
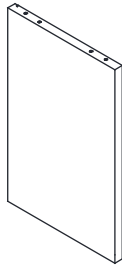
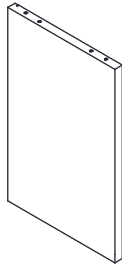
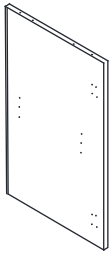
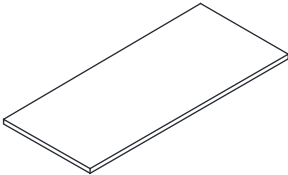


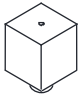
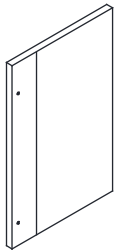

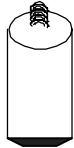
# ASSEMBLY INSTRUCTION



# Part List

Please check you have all the panels listed below





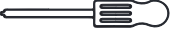
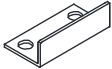


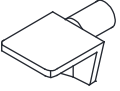
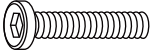
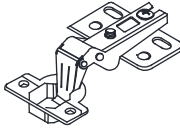
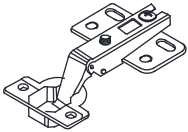

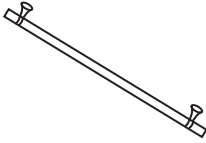

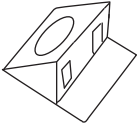
**Note:** The quantities below are the correct amount to complete the assembly. In some cases more fittings may be supplied than are required.

<p>①</p>  <p>Top Panel 1 PC</p>	<p>②</p>  <p>Bottom Panel 1 PC</p>	<p>③</p>  <p>Left Panel 1 PC</p>	<p>④</p>  <p>Right Panel 1 PC</p>
<p>⑤</p>  <p>Medial panel 1 PC</p>	<p>⑥</p>  <p>Center Shelf 2PCS</p>	<p>⑦</p>  <p>Center Shelf 4 PCS</p>	<p>⑧</p>  <p>Rear panel 2PCS</p>
<p>⑨</p>  <p>Foot 4 PCS</p>	<p>⑩</p>  <p>Door 2 PCS</p>	<p>⑪</p>  <p>Door 2 PCS</p>	<p>⑫</p>  <p>Neutral position 1 PC</p>

# Hardware list

Please check you have all the panels listed below







**Note:** The quantities below are the correct amount to complete the assembly. In some cases more fittings may be supplied than are required.

<p><b>A</b></p>  <p>Male Camlock x 6</p>	<p><b>B</b></p>  <p>Female Camlock x 6</p>	<p><b>C</b></p>  <p>Dowel x 12</p>	<p><b>D</b></p>  <p>5*60mm Screw x 6</p>
<p><b>E</b></p>  <p>E x 1</p>	<p><b>F</b></p>  <p>collision x 2</p>	<p><b>G</b></p>  <p>3*14mm Screw x 12</p>	<p><b>H</b></p>  <p>H x 1</p>
<p><b>I</b></p>  <p>Shelf Support Pin x 8</p>	<p><b>J</b></p>  <p>8*45mm Screw x 4</p>	<p><b>K</b></p>  <p>Door Hinge x 4</p>	<p><b>L</b></p>  <p>Door Hinge x 4</p>
<p><b>M</b></p>  <p>4*16mm Screw x 48</p>	<p><b>N</b></p>  <p>Handle x 4</p>	<p><b>O</b></p>  <p>4*25mm Screw x 8</p>	<p><b>P</b></p>  <p>Plastic wedge x 8</p>

# Hardware list

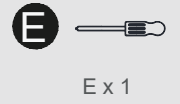
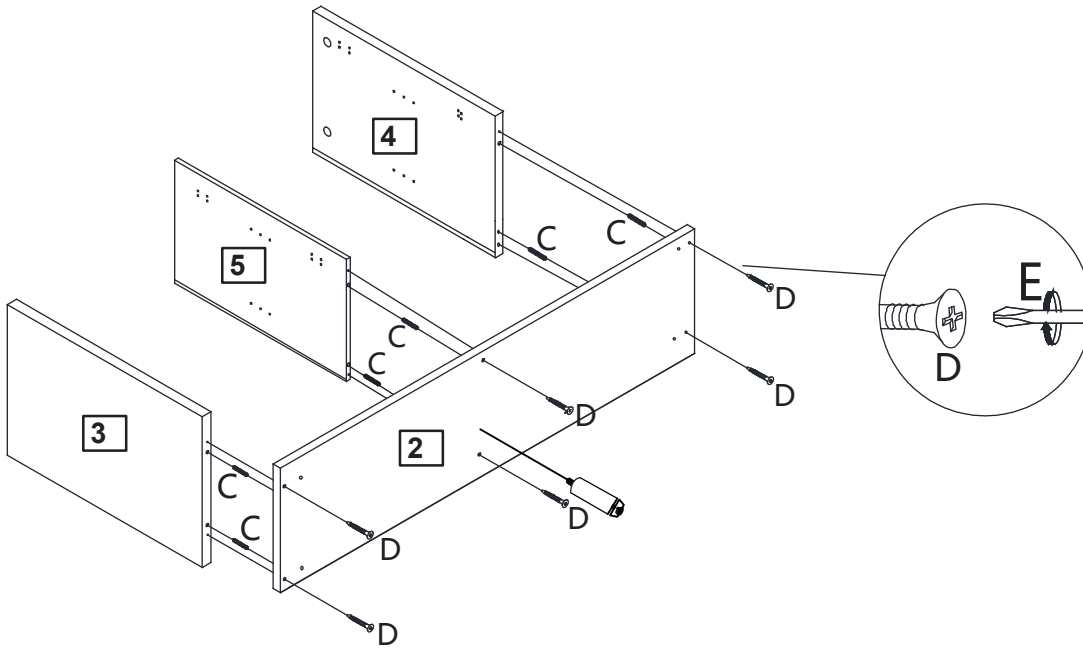
Please check you have all the panels listed below

**Note:** The quantities below are the correct amount to complete the assembly. In some cases more fittings may be supplied than are required.

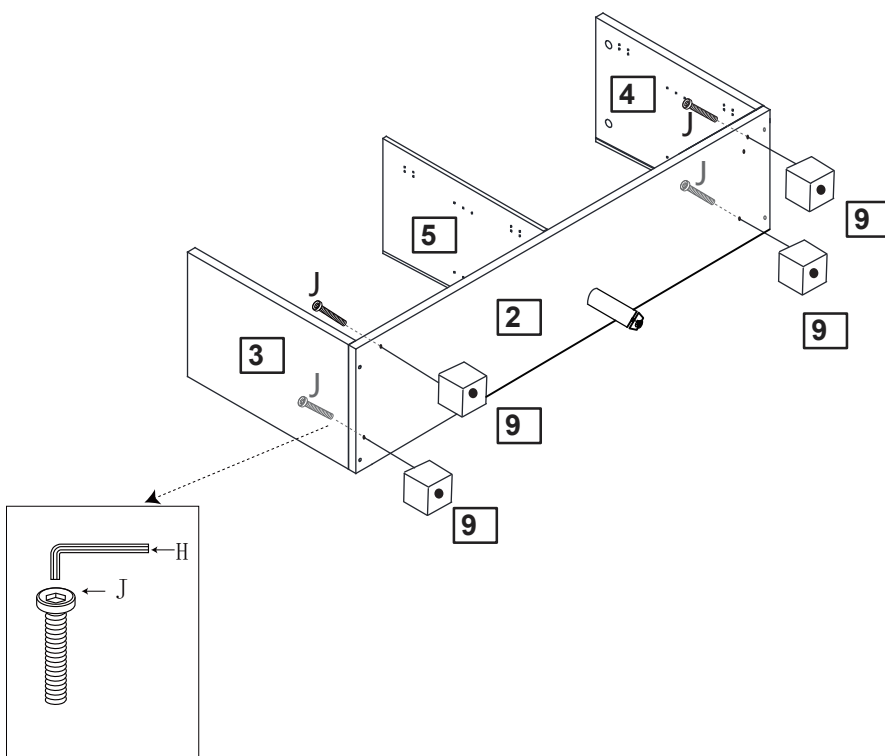
<p><b>Q</b></p>  <p>Q 1</p>  <p>Q 2 × 2</p>  <p>Q 3</p>  <p>Q 4</p>  <p>Q 5</p> <p>Wall Fixing Pack x 2</p>	<p><b>R</b></p>  <p>R x 4</p>
--	---

# ASSEMBLY INSTRUCTION

## Step 1

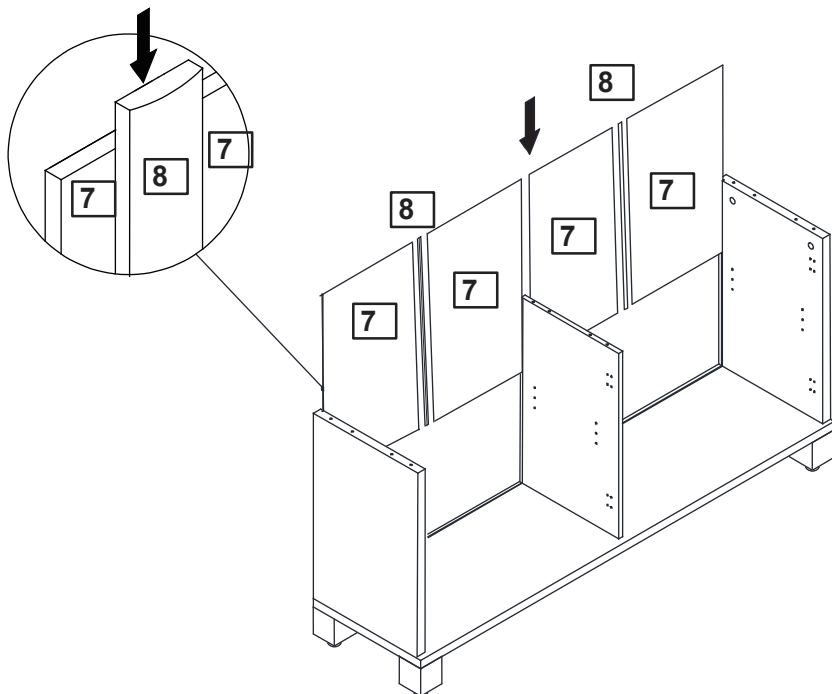


## Step 2

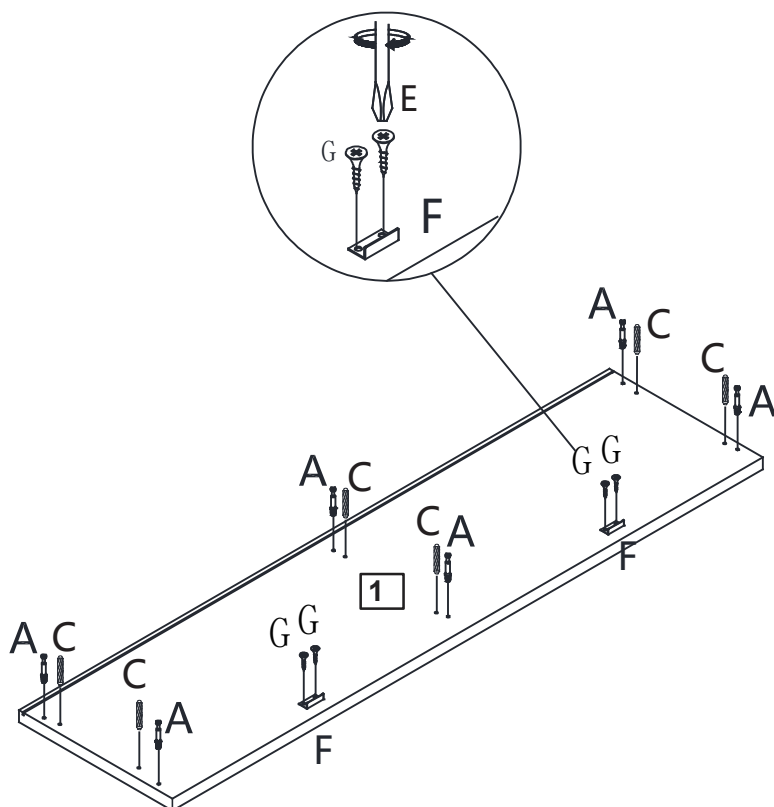


# ASSEMBLY INSTRUCTION

## Step 3



## Step 4



A x 6



C x 6



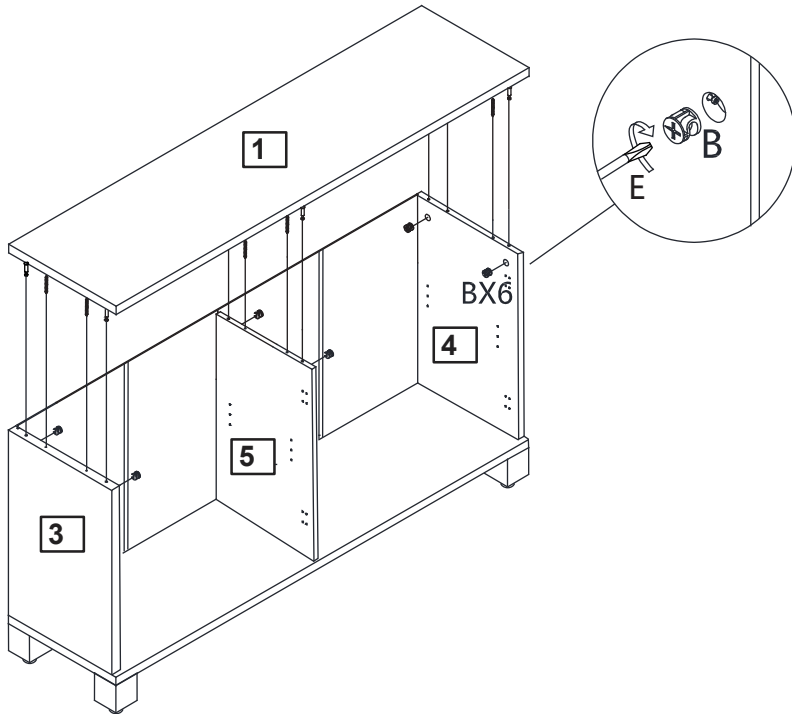
F x 2



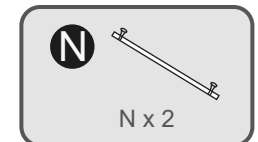
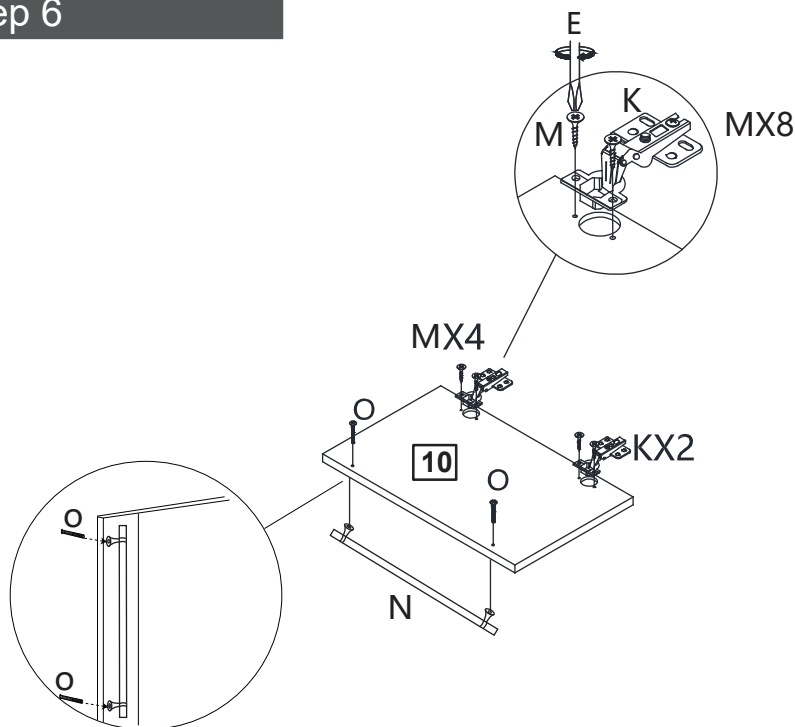
G x 4

# ASSEMBLY INSTRUCTION

## Step 5



## Step 6

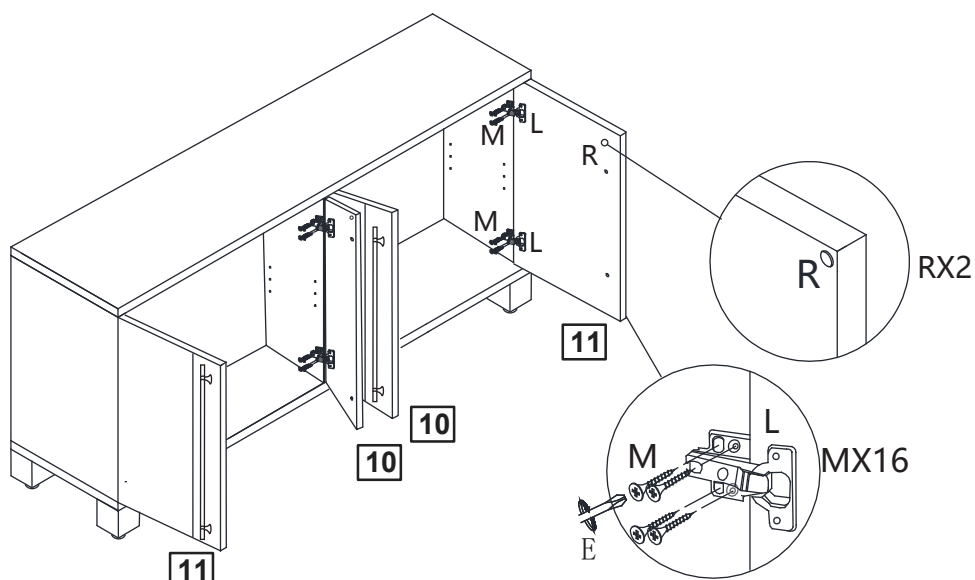


x2

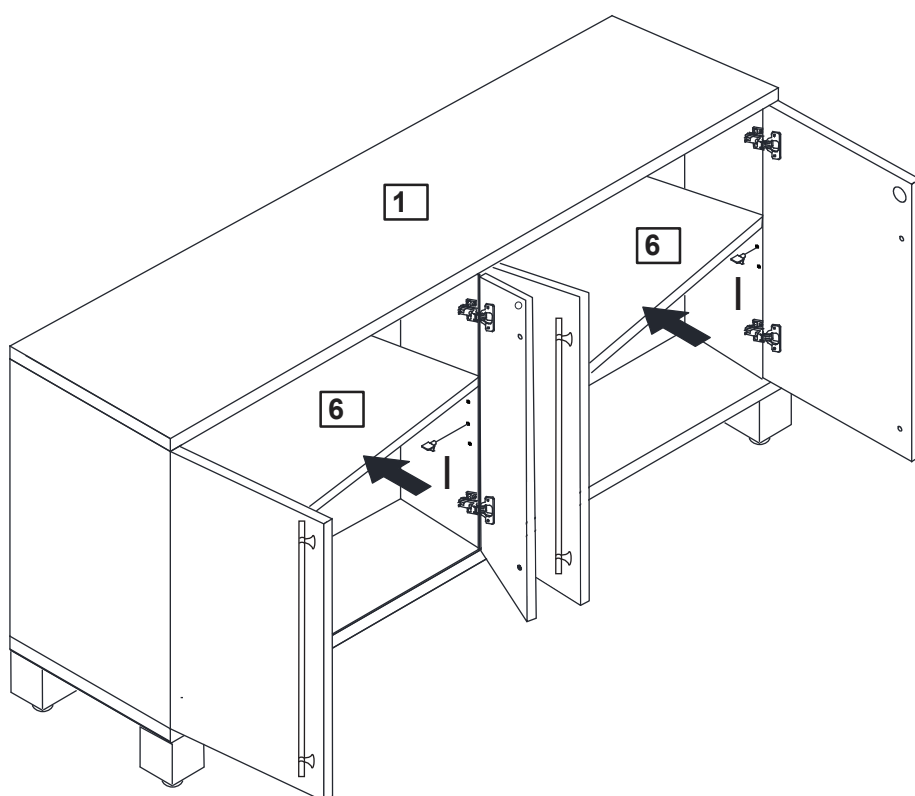


# ASSEMBLY INSTRUCTION

## Step 9

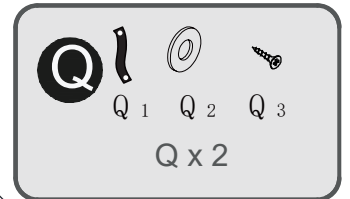
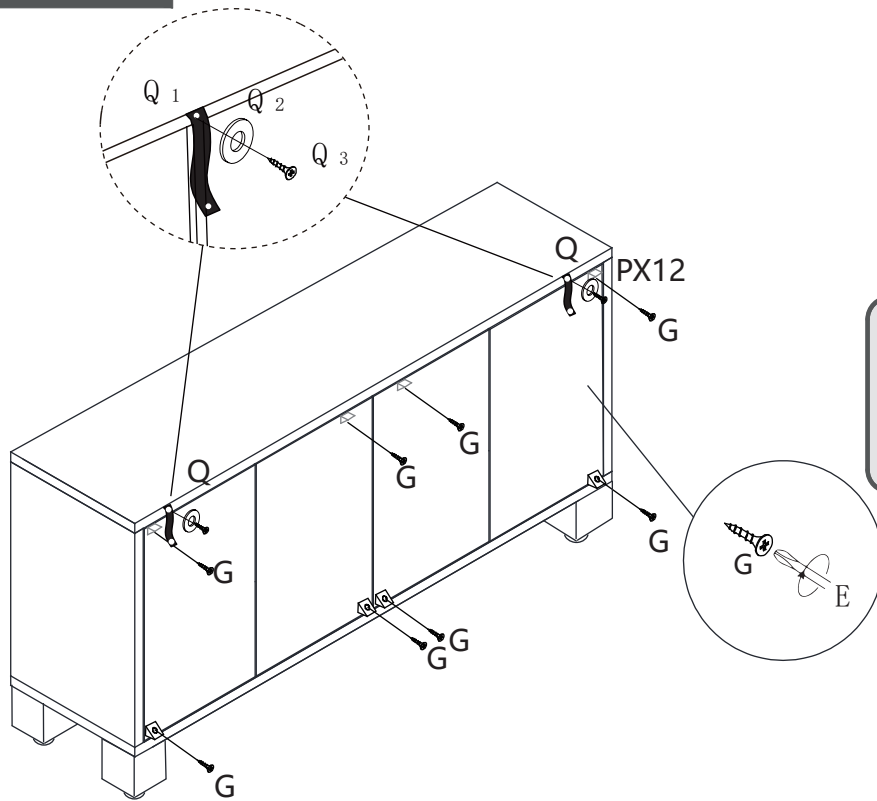


## Step 10

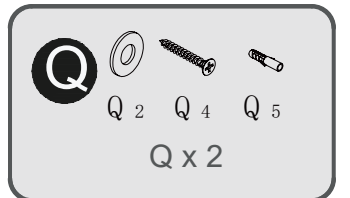
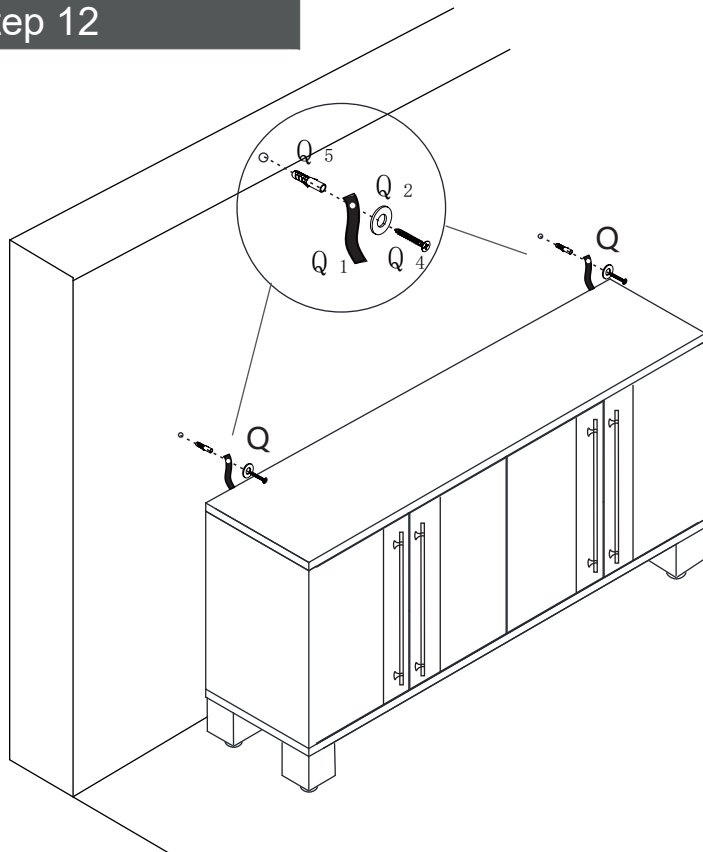


# ASSEMBLY INSTRUCTION

## Step 11



## Step 12



Assembly is complete.

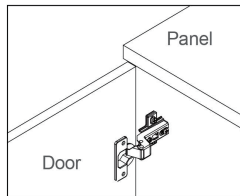
# ASSEMBLY INSTRUCTION

## Assembly Steps(EN) / Montageschritte(DE)

HOW TO ADJUST THE HINGES TO ALIGN THE DOORS IF NEEDED.

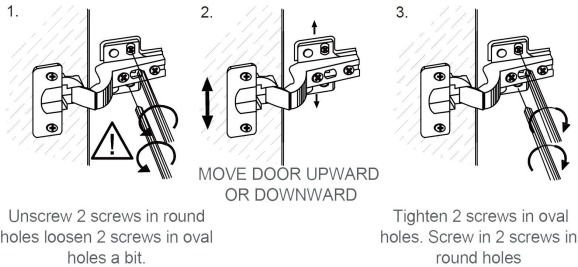
### STEP 1

Open the door.



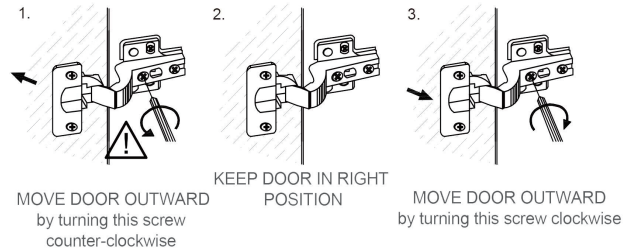
### STEP 2

Adjust the door panel upward or downward



### STEP 3

Adjust the flush between door panel and side panel



### STEP 4

Adjust the Gap between door panel and side panel

