

TONIQUE 550 PEDESTAL LAVATORY

Cat. No.
3-203X



W: 21-3/4"
D: 17-3/4"
H: 32-3/4"

Column Dimensions

Column: 7" X 7" X 26"

Interior Dimensions:

Basin interior:	18-1/2" L X 12" W
Basin depth:	4-1/4"
Mount bolts height:	31-1/4"
Mount holes cc:	11"
Back of basin to center of faucet:	2-1/4"
Back of basin to center of drain:	8-1/4"
Faucet hole diameter:	1-3/8"

Features:

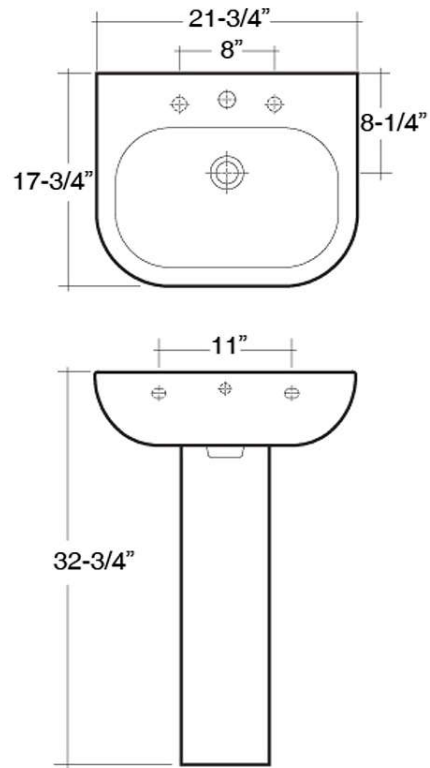
- ▶ Made of Vitreous China
- ▶ Available for 1 hole (3-2031) or 8" widespread (3-2038)
- ▶ Pre-drilled overflow hole
- ▶ Back of column is open
- ▶ Mounting Hardware included
- ▶ For ease installation order Hangers (pair) or Bracket (one)



Colors:
WH White

Compliance Certification

Meets or exceeds the following specifications: ASME A112.19.2 2013 and CSA B45.1-13 for plumbing fixtures.



Dimensions of fixture are nominal and may vary within the range of tolerances established by ASME Standard A112.19.2-2008. Dimensions and specifications subject to change without notice.