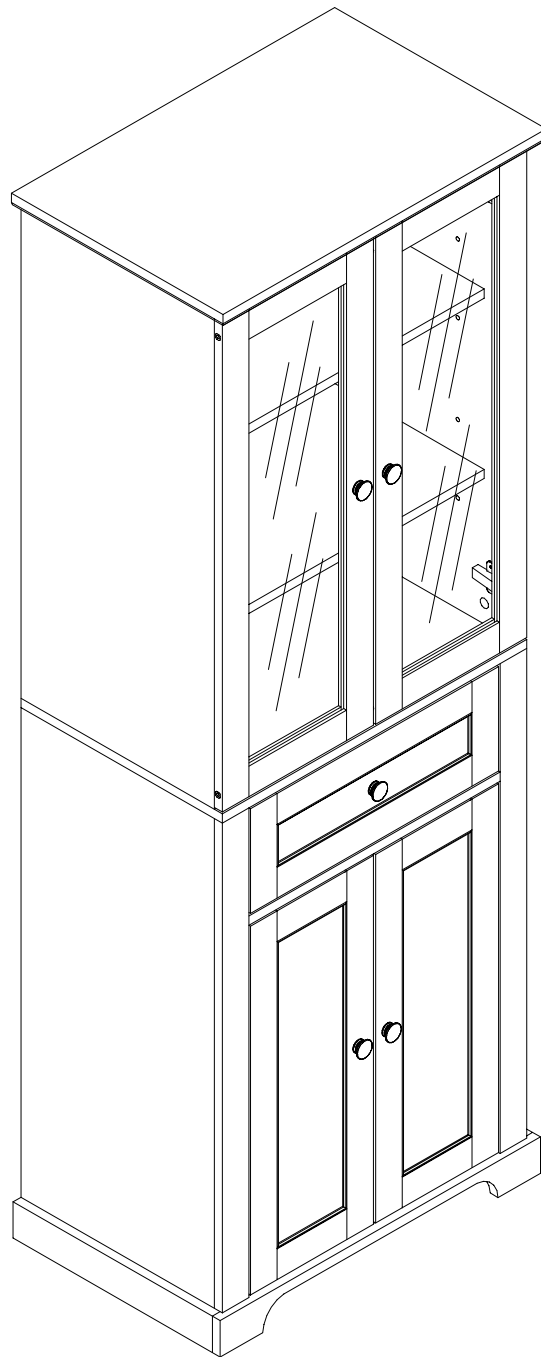
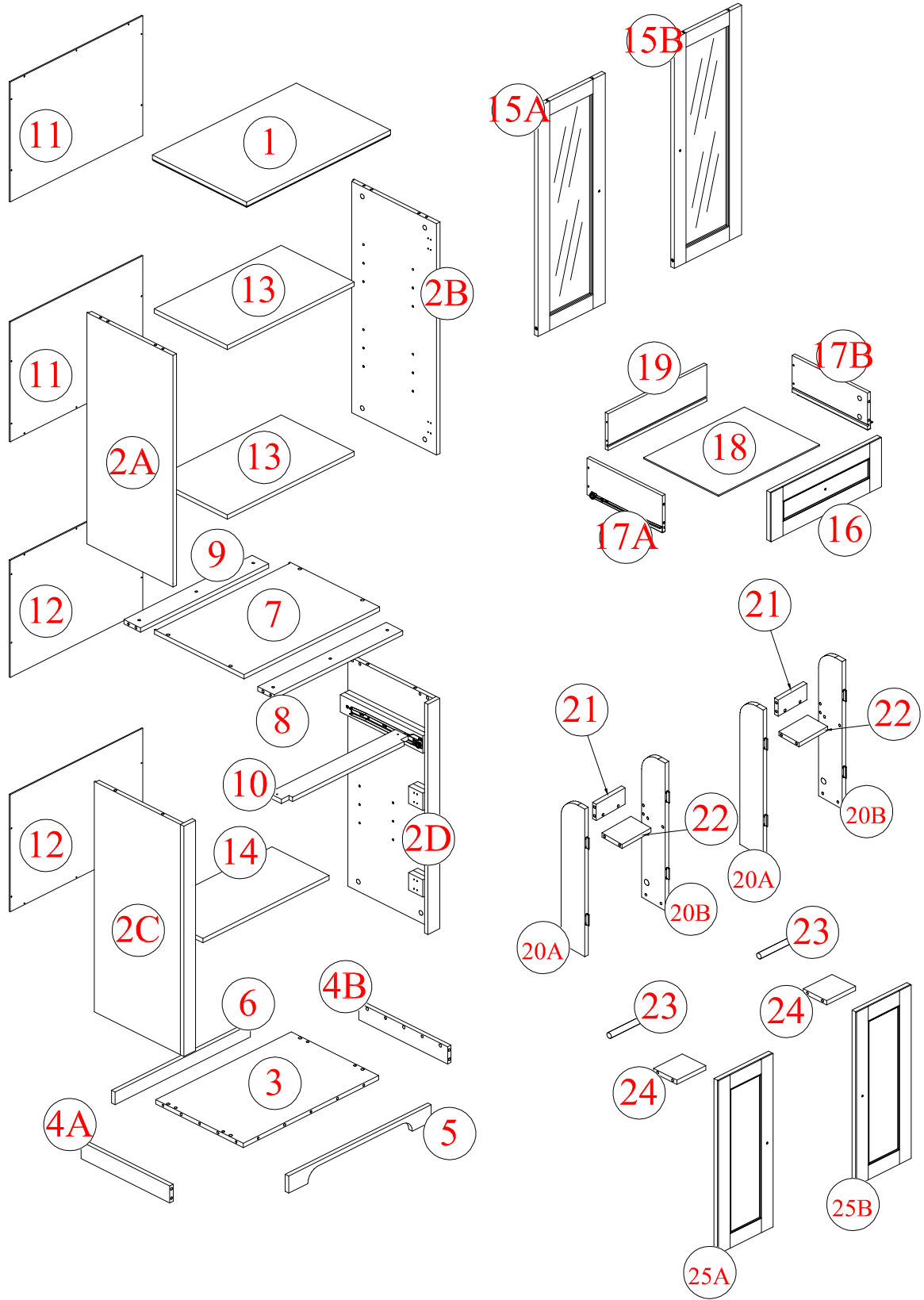


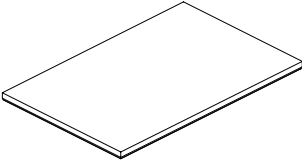
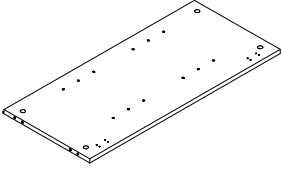
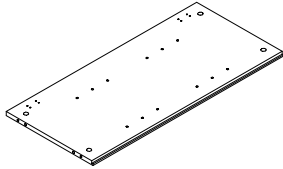
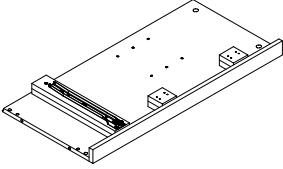
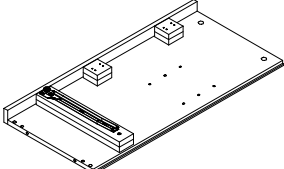
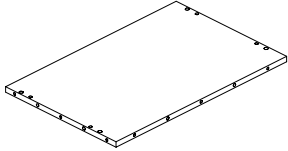
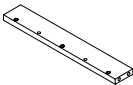
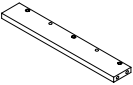
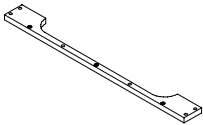
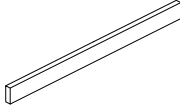
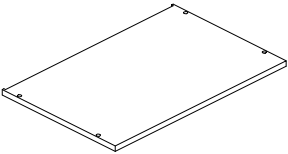
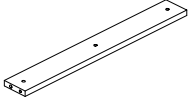
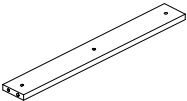
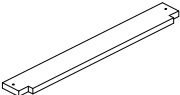
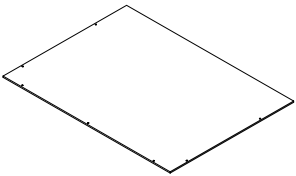
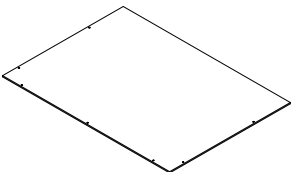
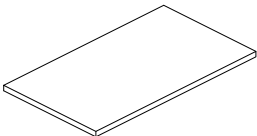
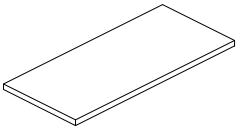
# ASSEMBLY INSTRUCTION



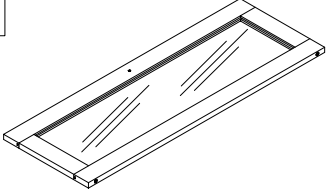
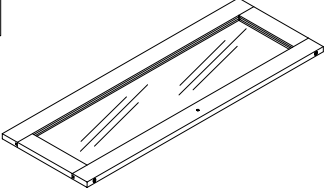
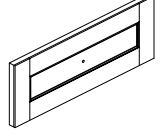

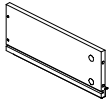
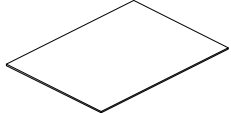
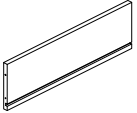
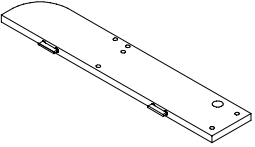
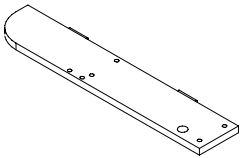
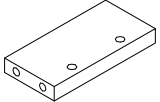
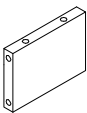
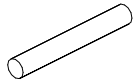
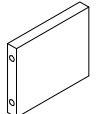
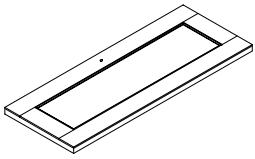
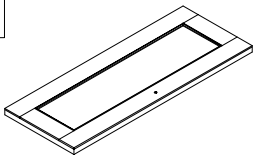
# ASSEMBLY INSTRUCTION



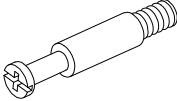

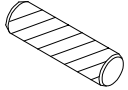
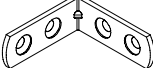
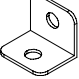
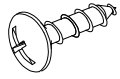
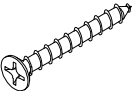
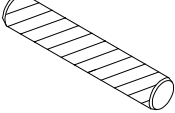
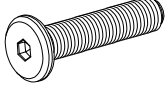

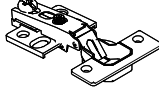

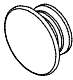
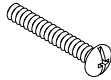

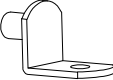
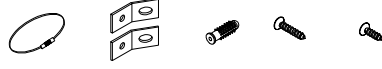
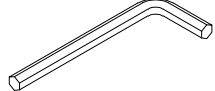
# Part List

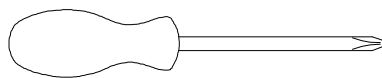
<p>1</p>  <p>Top of Cabinet - 1 pc</p>	<p>2A</p>  <p>Upper left side - 1 pc</p>	<p>2B</p>  <p>Upper right side - 1 pc</p>
<p>2C</p>  <p>Lower left side - 1 pc</p>	<p>2D</p>  <p>Lower right side - 1 pc</p>	<p>3</p>  <p>Cabinet Bottom - 1 pc</p>
<p>4A</p>  <p>Cabinet legs - 1 pc</p>	<p>4B</p>  <p>Cabinet legs - 1 pc</p>	<p>5</p>  <p>Cabinet legs - 1 pc</p>
<p>6</p>  <p>Cabinet legs - 1 pc</p>	<p>7</p>  <p>Countertops - 1 pc</p>	<p>8</p>  <p>Cross bar - 1 pc</p>
<p>9</p>  <p>Cross bar - 1 pc</p>	<p>10</p>  <p>Door Barrier Cross Bar - 1 pc</p>	<p>11</p>  <p>Upper back panels - 2 pcs</p>
<p>12</p>  <p>Lower back panels - 2 pcs</p>	<p>13</p>  <p>Adjustable shelf - 2 pcs</p>	<p>14</p>  <p>Adjustable shelf - 1 pc</p>

# Part List

<b>15A</b>  Upper Left Side Door - 1 pc	<b>15B</b>  Upper Right Side Door - 1 pc	<b>16</b>  Drawer - Front Panels - 1 pc
<b>17A</b>  Drawer - Left Side Panels - 1 pc	<b>17B</b>  Drawer - Right Side Panels - 1 pc	<b>18</b>  Drawer - Bottom Panels - 1 pc
<b>19</b>  Drawer - Back Panels - 1 pc	<b>20A</b>  Standing Bar Shelf - 2 pcs	<b>20B</b>  Standing Bar Shelf - 2 pcs
<b>21</b>  Stand Shelf - 2 pcs	<b>22</b>  Fixed Shelf - 2 pcs	<b>23</b>  Round Bar Shelf - 2 pcs
<b>24</b>  Fixed Shelf - 2 pcs	<b>25A</b>  Lower Left Side Door - 1 pc	<b>25B</b>  Lower Right Side Door - 1 pc

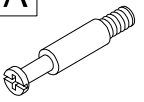
# Hardware List

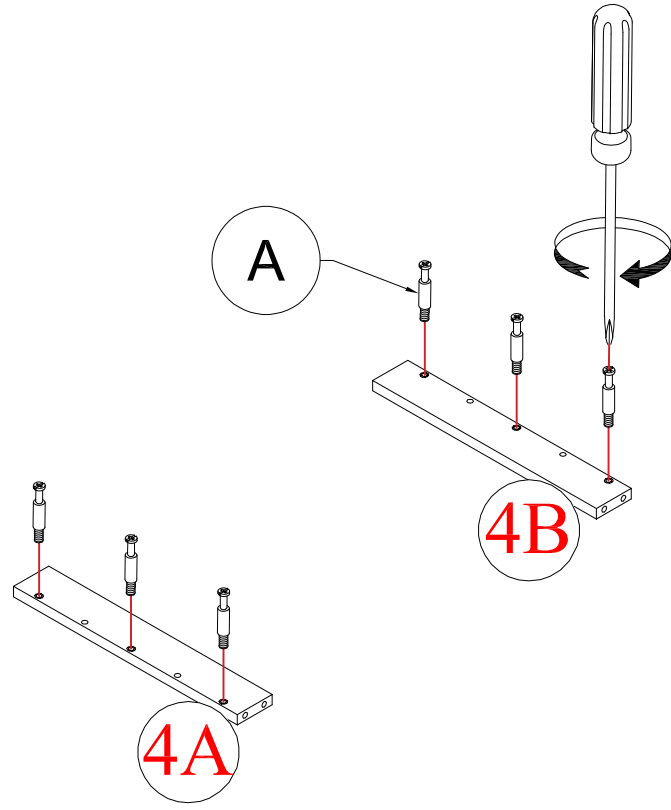
<p><b>A</b></p>  <p>Cam Bolt 29 pcs</p>	<p><b>B</b></p>  <p>Cam Lock 12mm 29 pcs</p>	<p><b>C</b></p>  <p>Ø8 x 30 mm Wood dowel 50 pcs</p>
<p><b>D</b></p>  <p>Bracket Steel 4 Hole 4 pcs</p>	<p><b>E</b></p>  <p>Bracket Steel 2 Hole 7 pcs</p>	<p><b>F</b></p>  <p>M3.5 x 15 mm Wood Screws 126 pcs</p>
<p><b>G</b></p>  <p>M4 x 30 mm Wood Screws 6 pcs</p>	<p><b>H</b></p>  <p>Ø8 x 60 mm Wood dowel 4 pcs</p>	<p><b>I</b></p>  <p>1/4" x 25 mm Hex-Head bolts 8 pcs</p>
<p><b>J</b></p>  <p>1 2 Magnets 4 set</p>	<p><b>K</b></p>  <p>Hinge - 4 pcs</p>	<p><b>L</b></p>  <p>M3 x 15 mm Wood Screws 8 pcs</p>
<p><b>M</b></p>  <p>Handles 5 pcs</p>	<p><b>N</b></p>  <p>5/32" x 25 mm Truss Head Screw 5 pcs</p>	<p><b>O</b></p>  <p>Hinge - 4 pcs</p>
<p><b>Q</b></p>  <p>Shelf Pin 9mm 12 pcs</p>	<p><b>S</b></p>  <p>1 2 3 4 5 Antifall 2 set</p>	<p><b>T</b></p>  <p>Allen Key 1 pc</p>



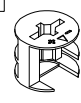
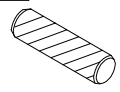
**Assembly Tools Required (Not Included)**

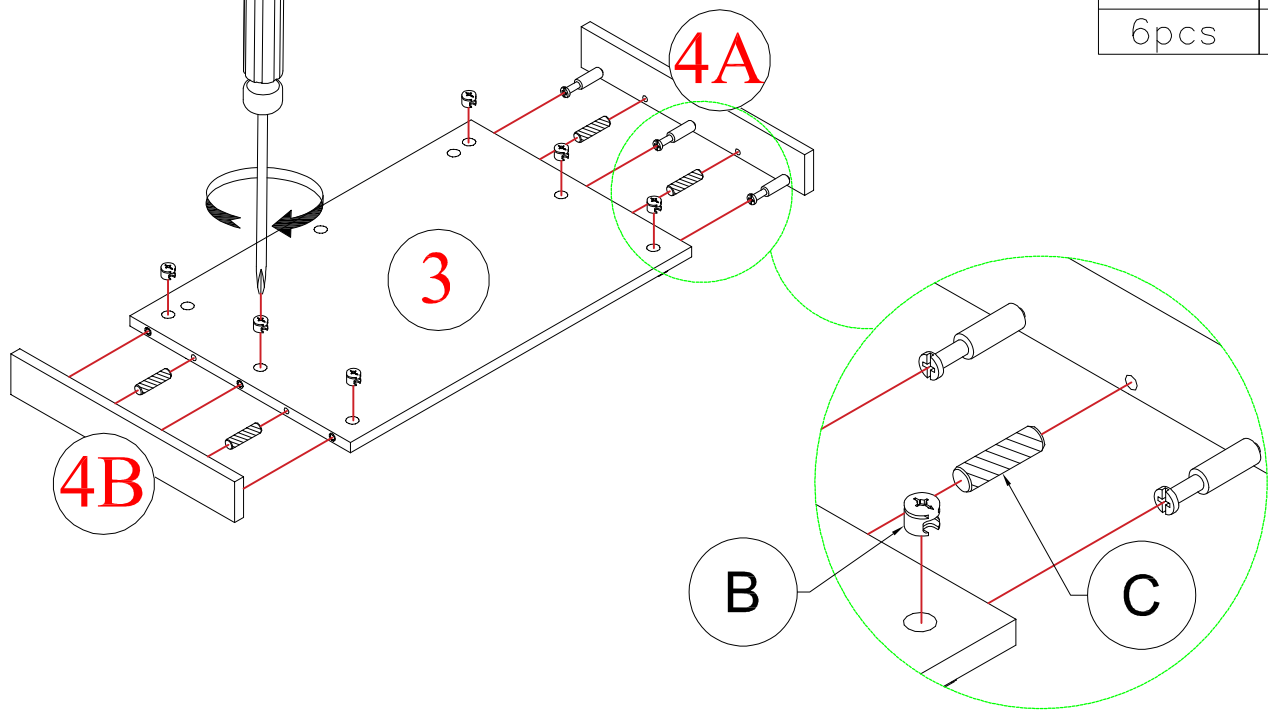
# Step 1:

<b>A</b>	
6pcs	

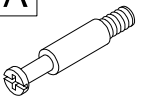


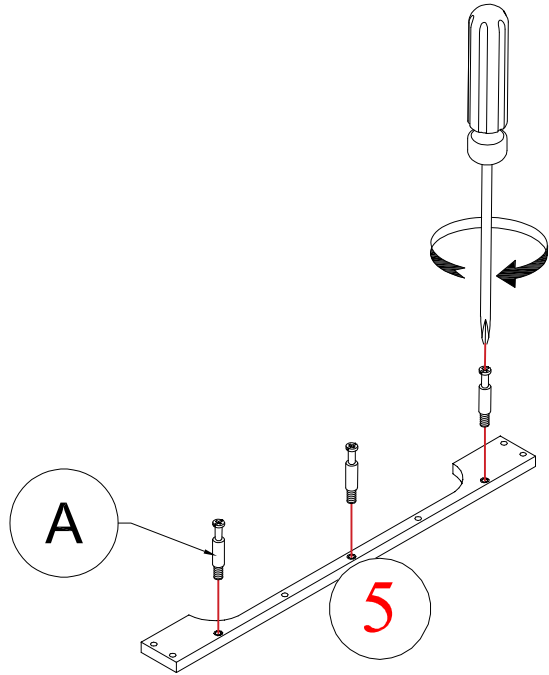
# Step 2:

<b>B</b>	<b>C</b>
	
6pcs	4pcs

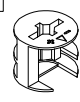
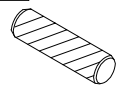


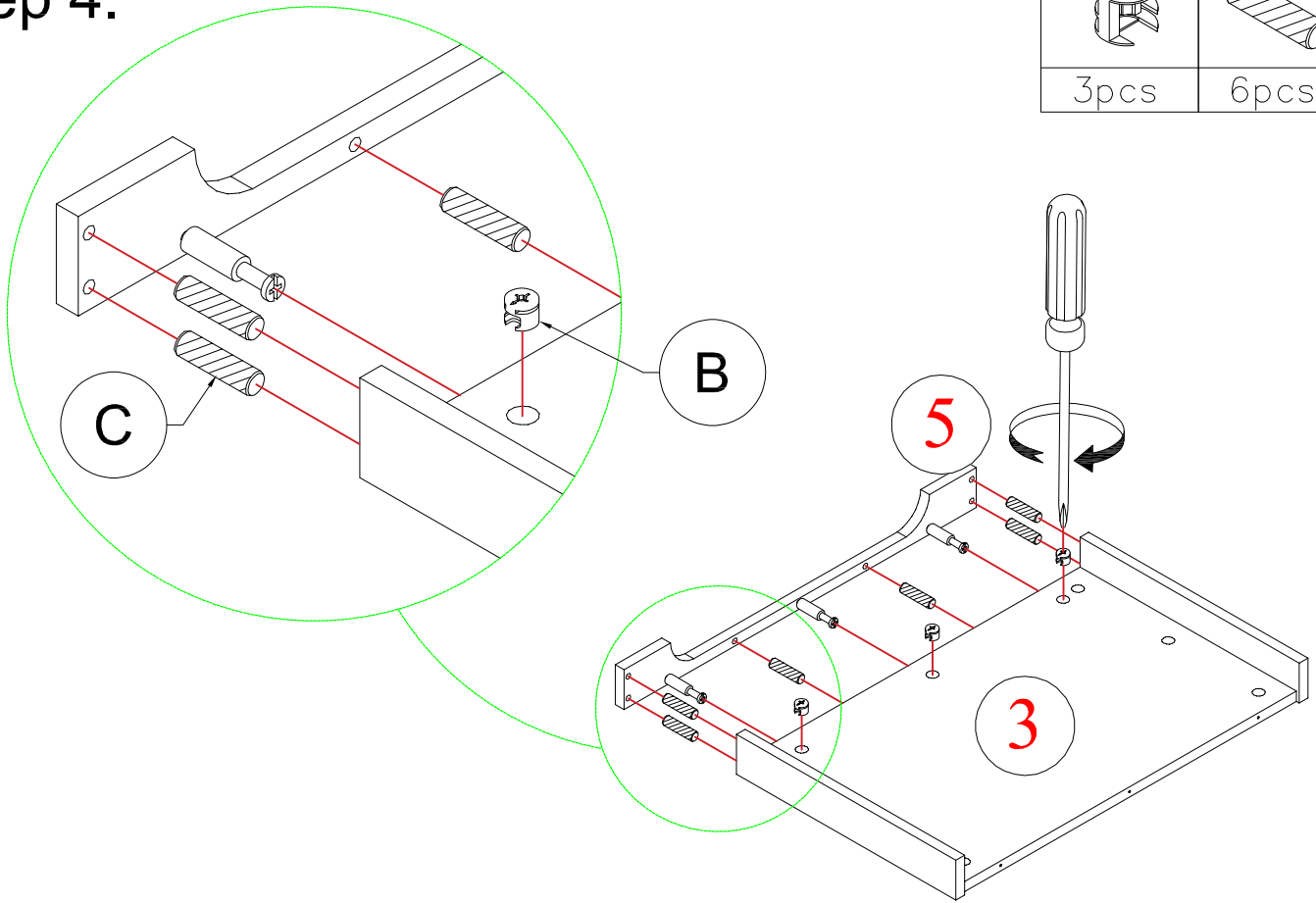
# Step 3:

<b>A</b>	
3pcs	

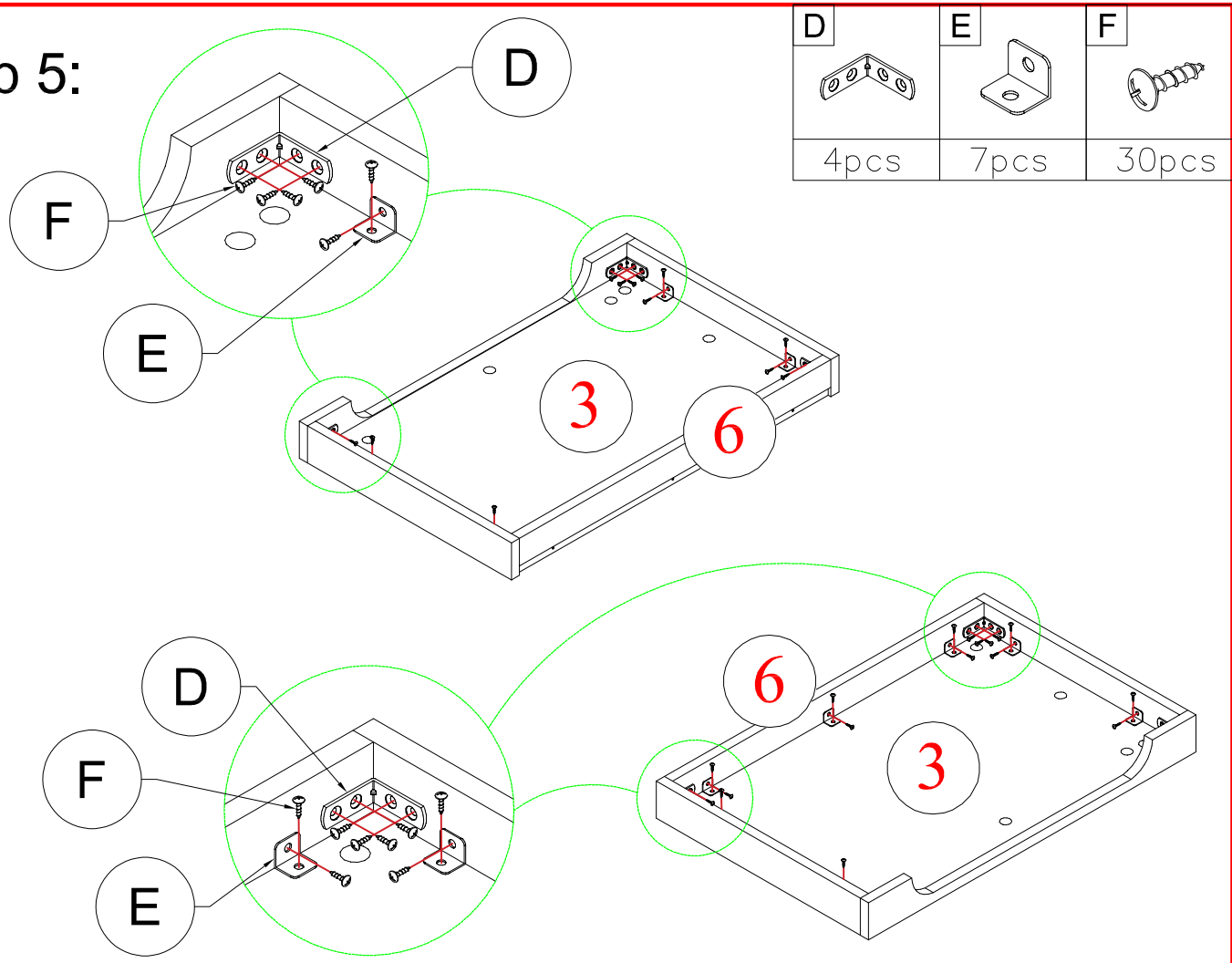


# Step 4:

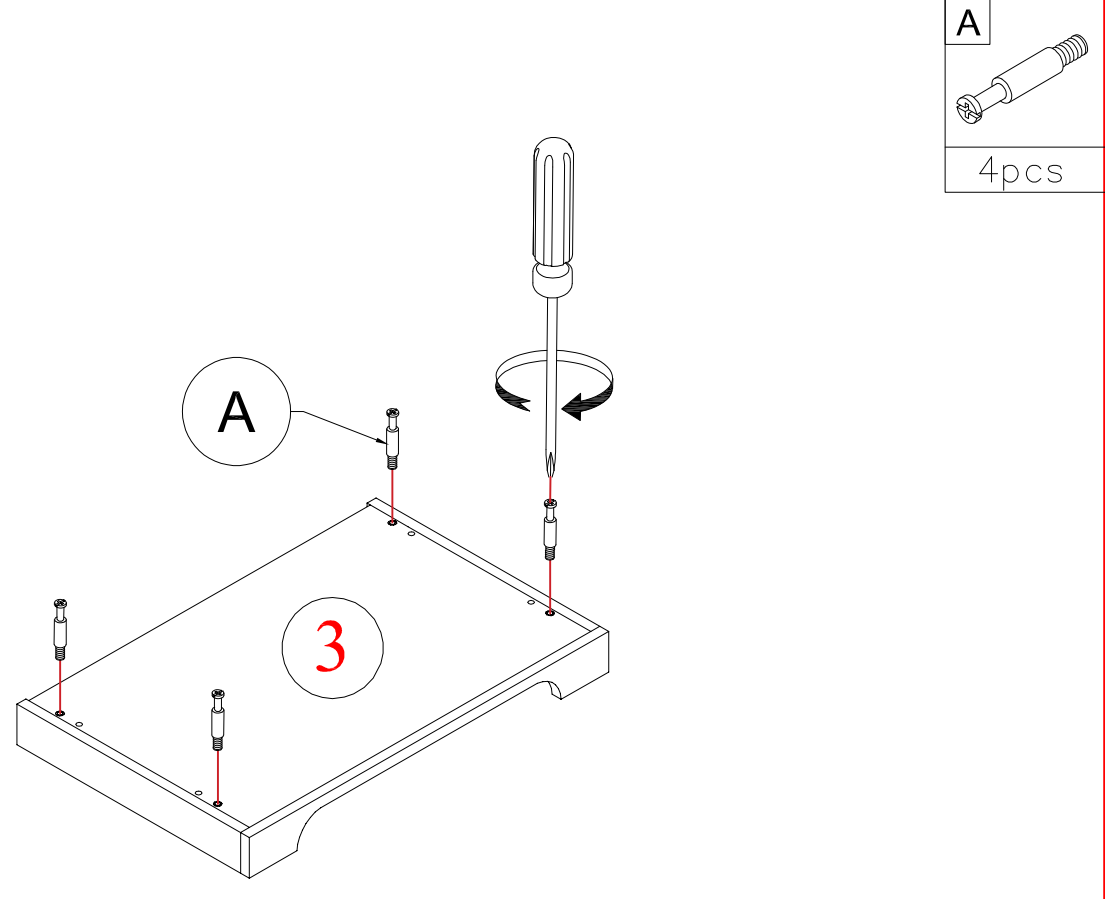
<b>B</b>	<b>C</b>
	
3pcs	6pcs



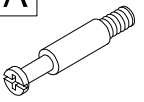
# Step 5:

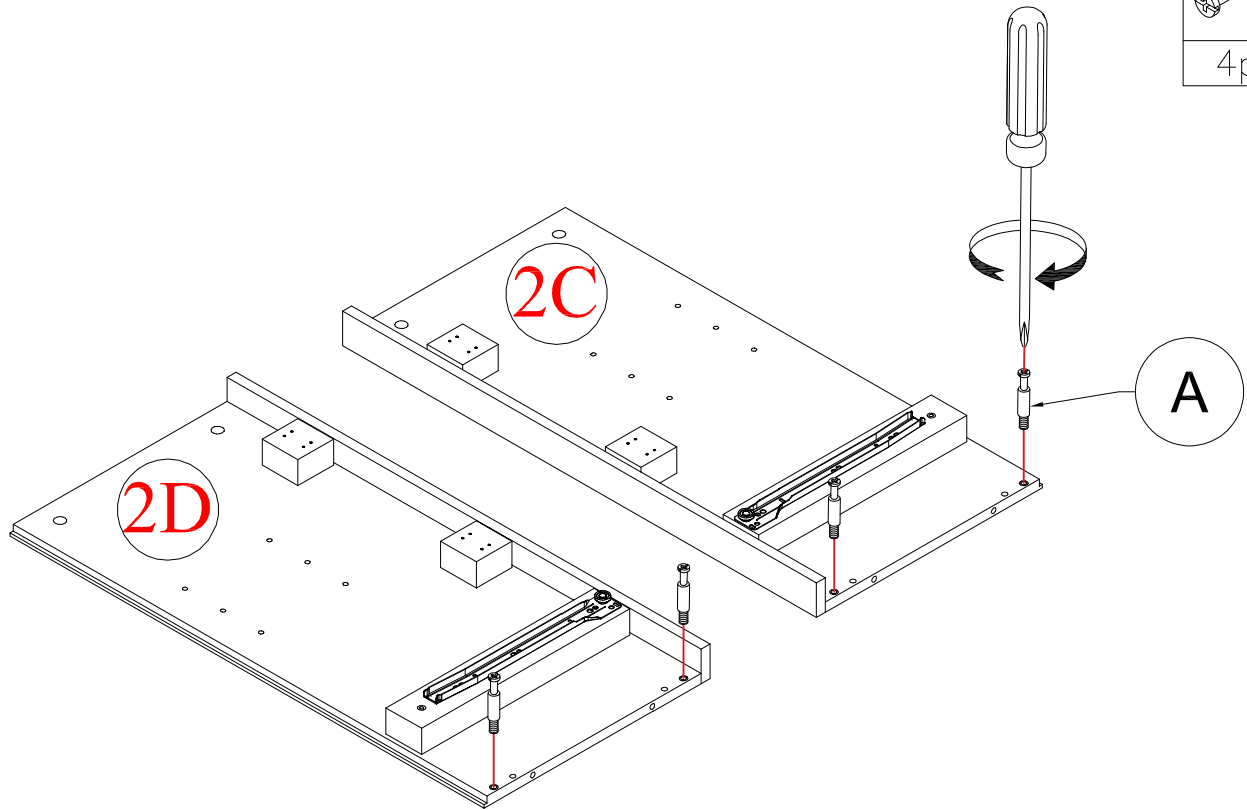


# Step 6:

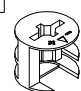
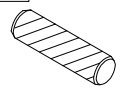


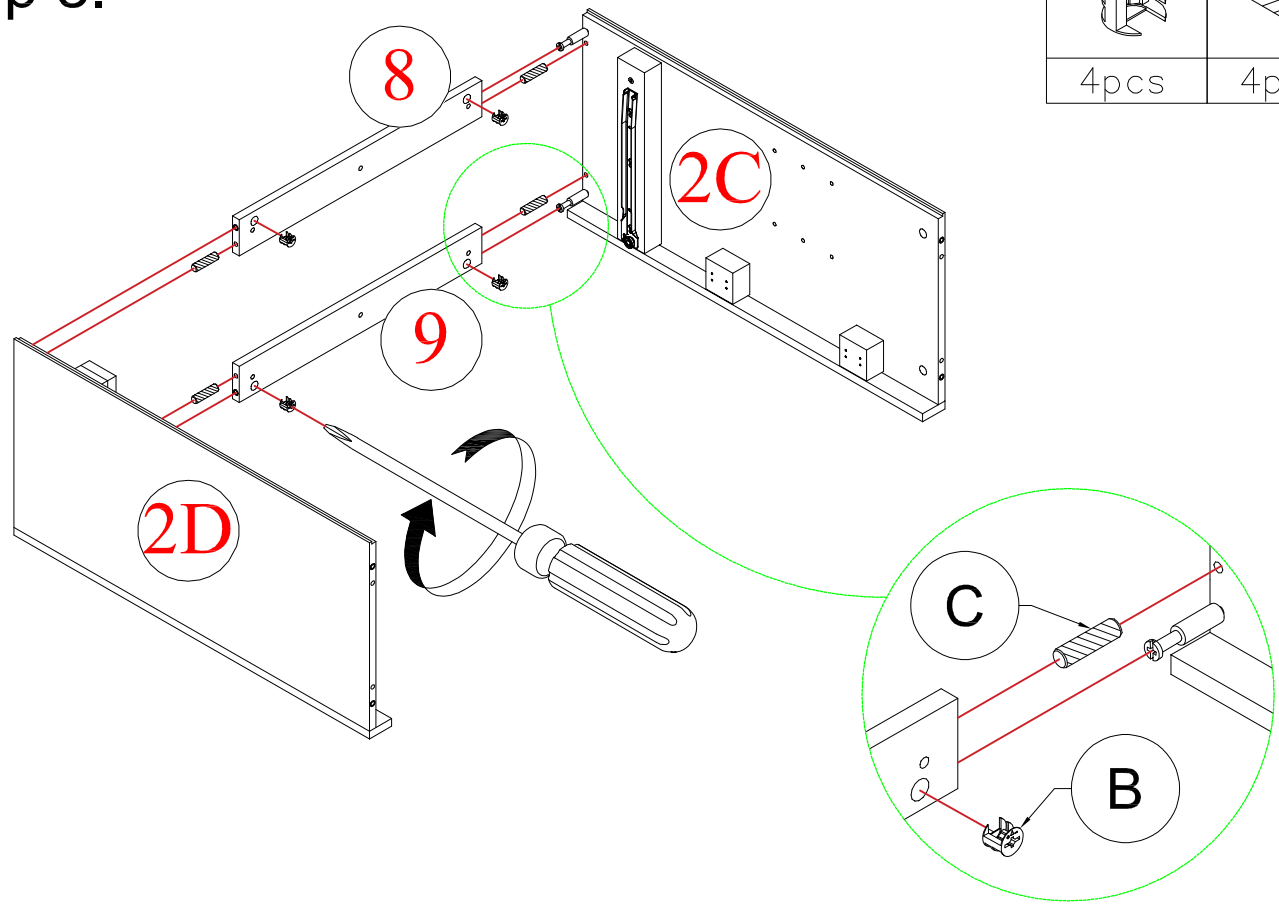
# Step 7:

<b>A</b>	
4pcs	

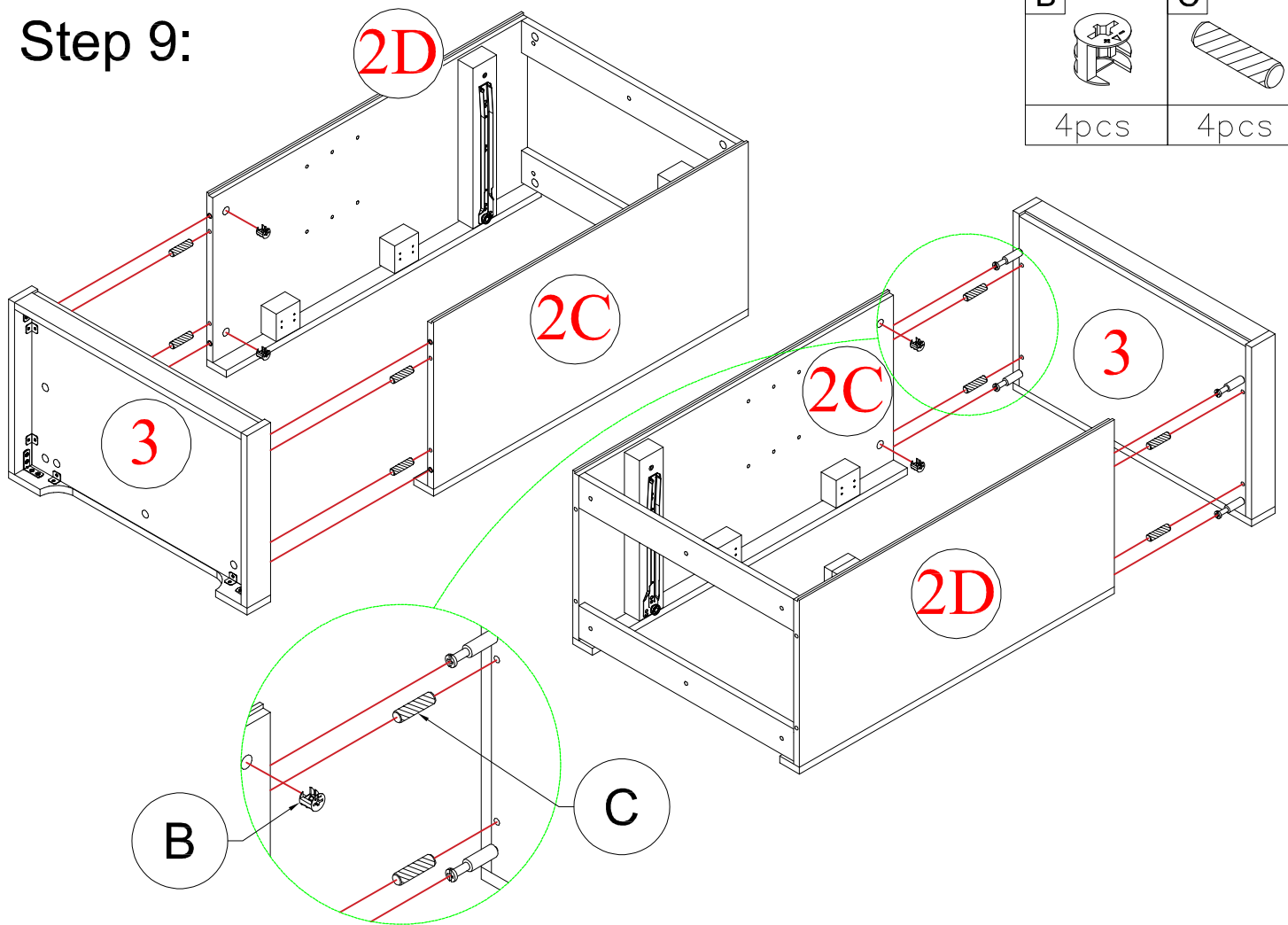


# Step 8:

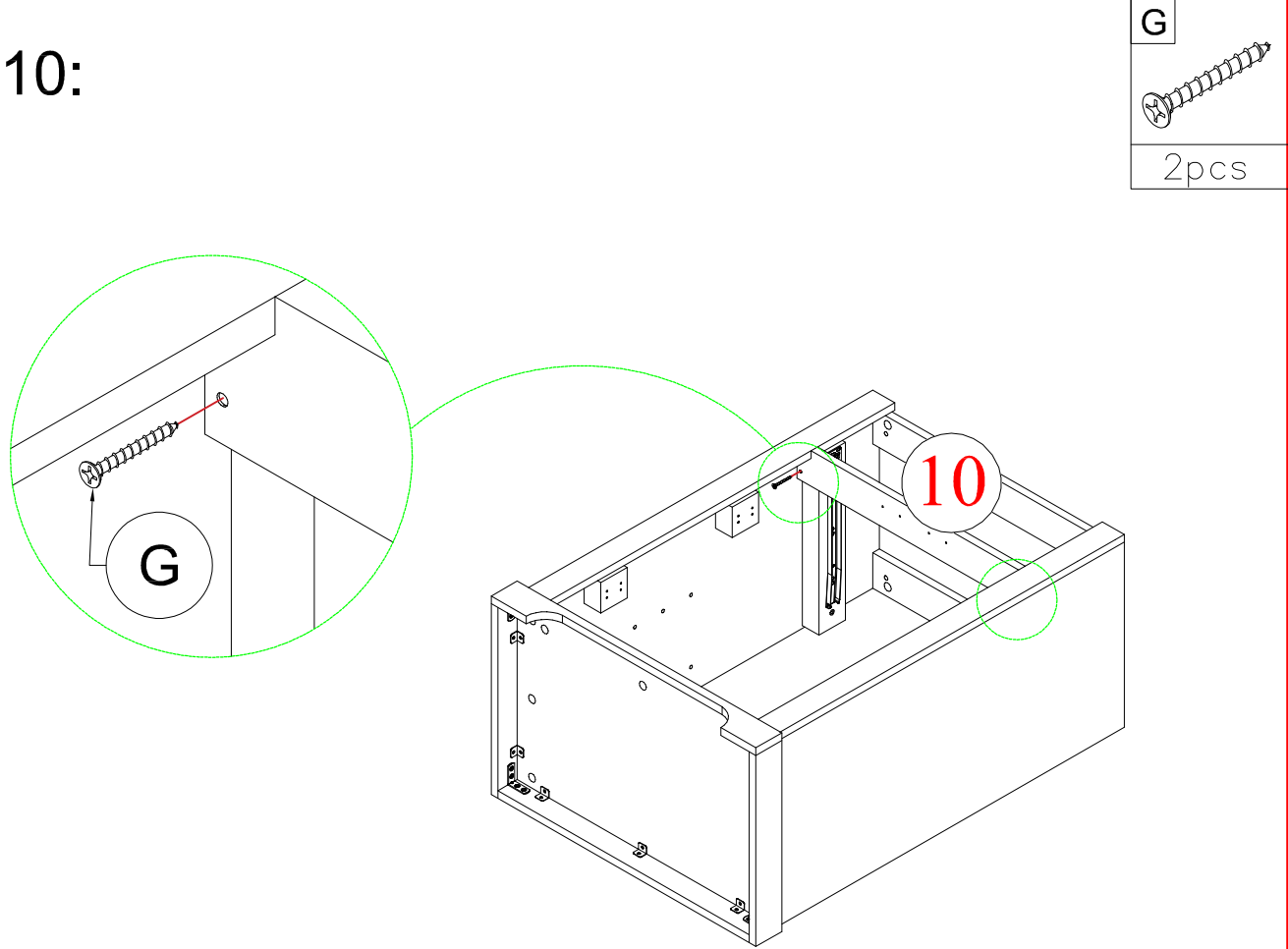
<b>B</b>		<b>C</b>	
4pcs		4pcs	



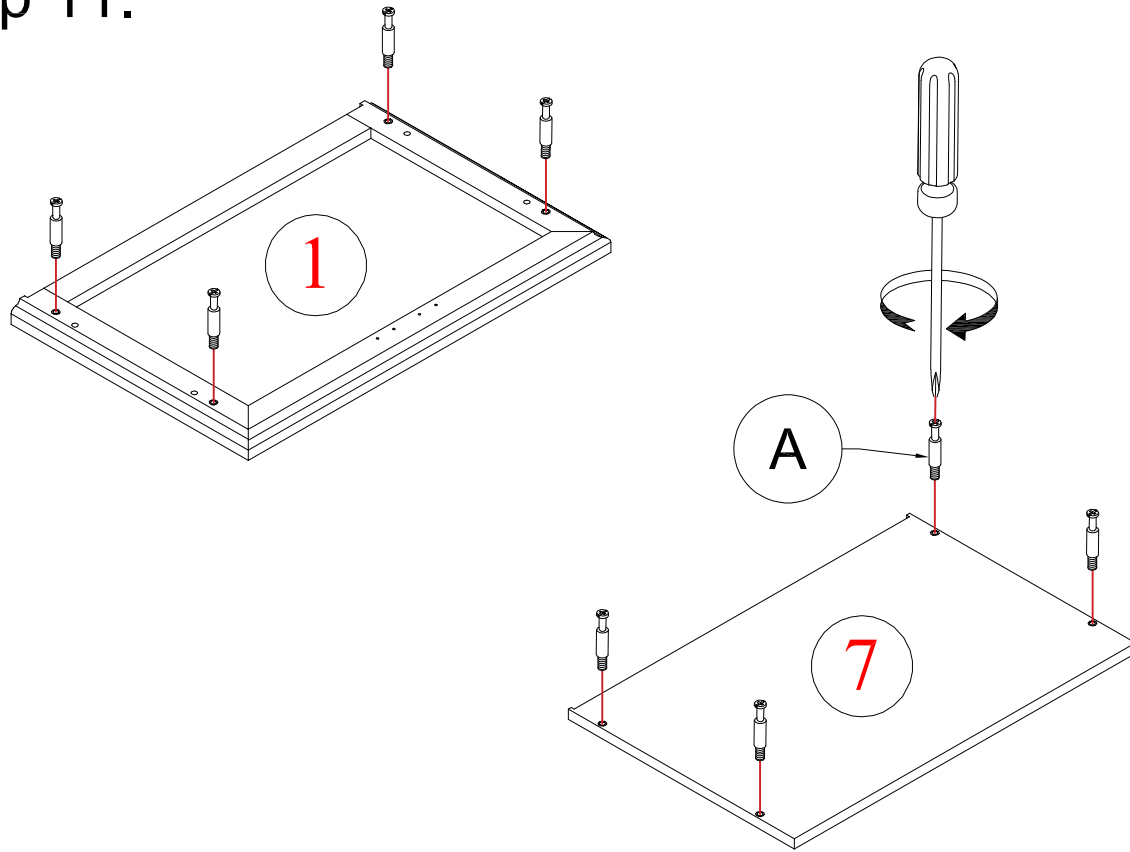
# Step 9:



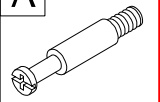
# Step 10:



# Step 11:

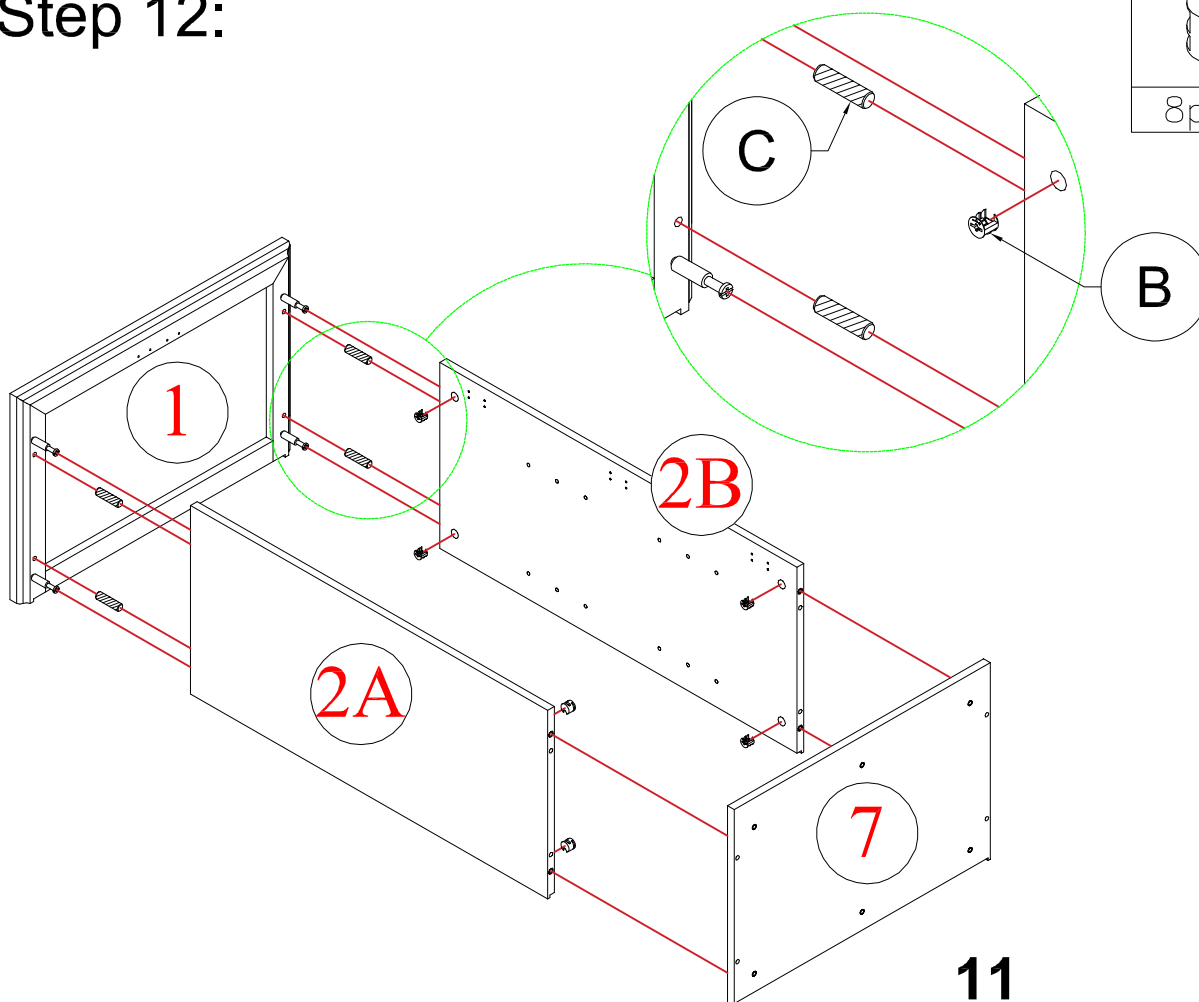


A



8pcs

# Step 12:

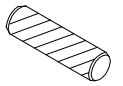


B



8pcs

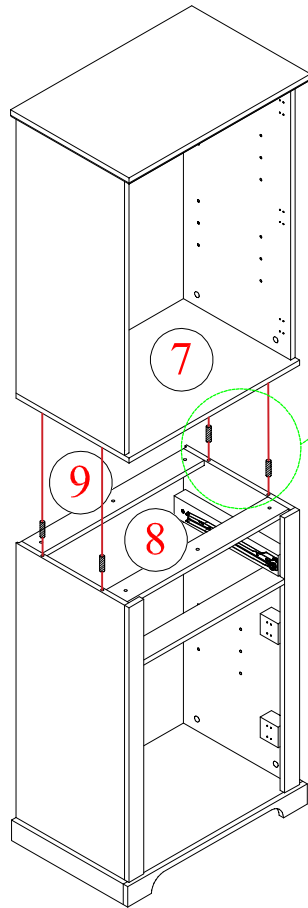
C

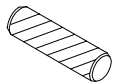


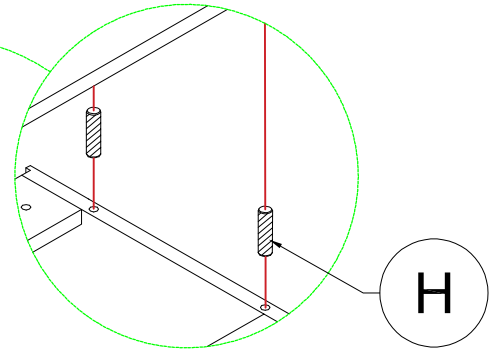
4pcs

11

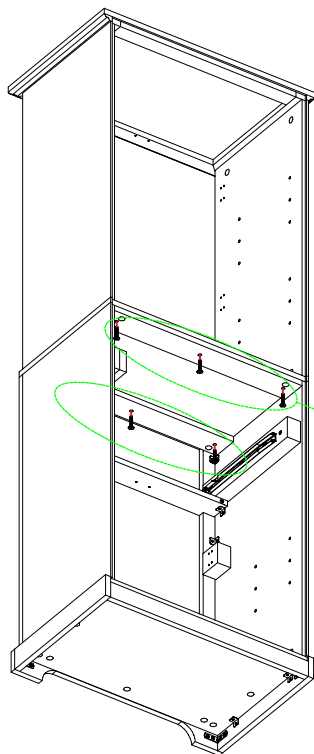
# Step 13:

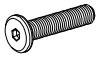


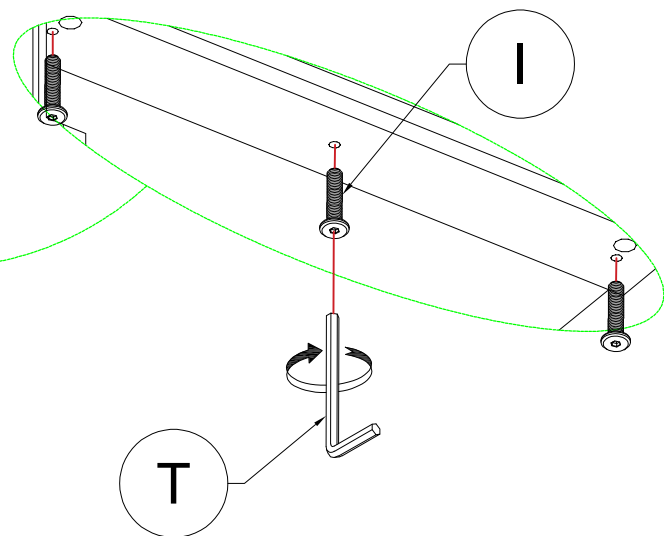
H

4pcs



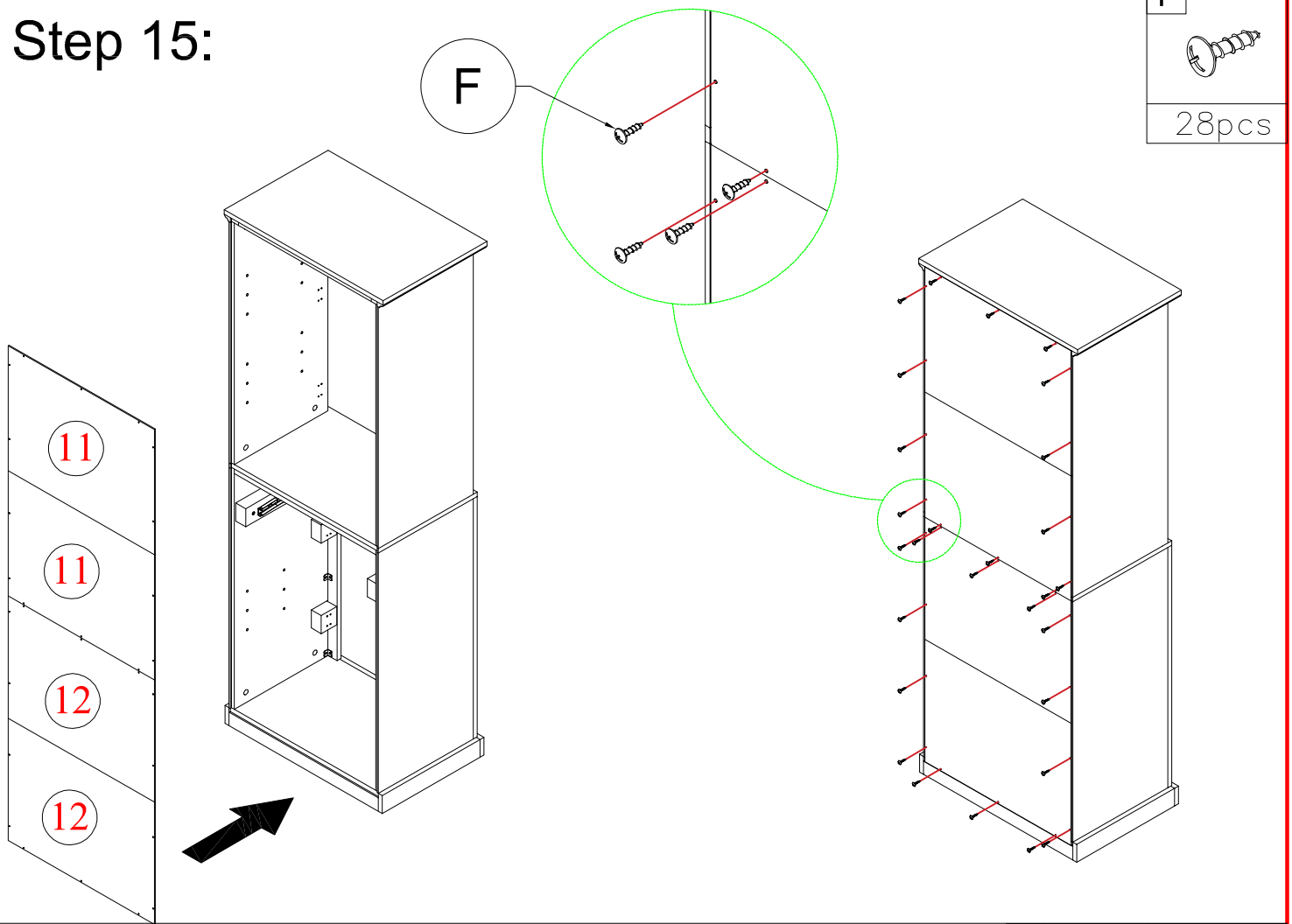
# Step 14:



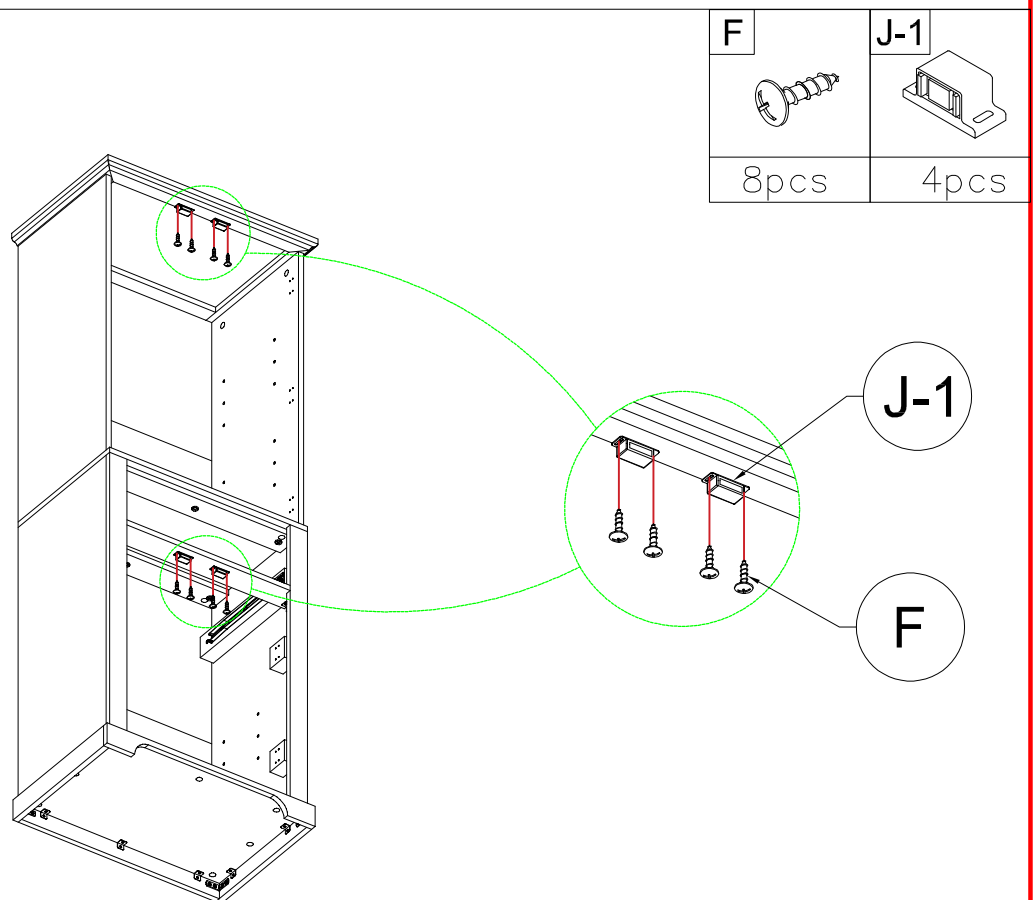
I

8pcs



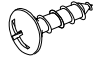

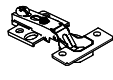

# Step 15:

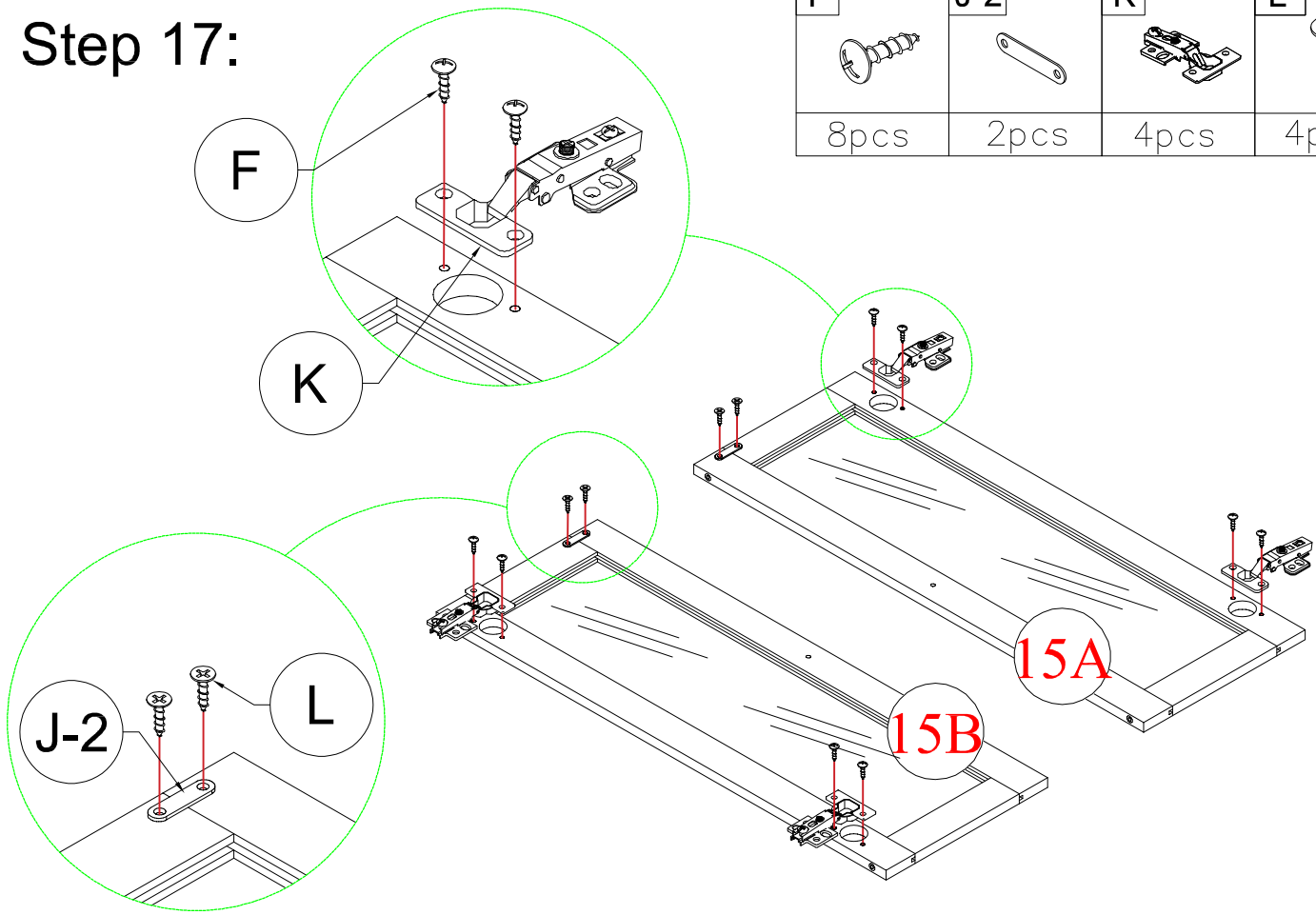


# Step 16:

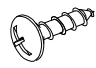
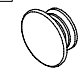
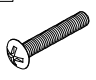


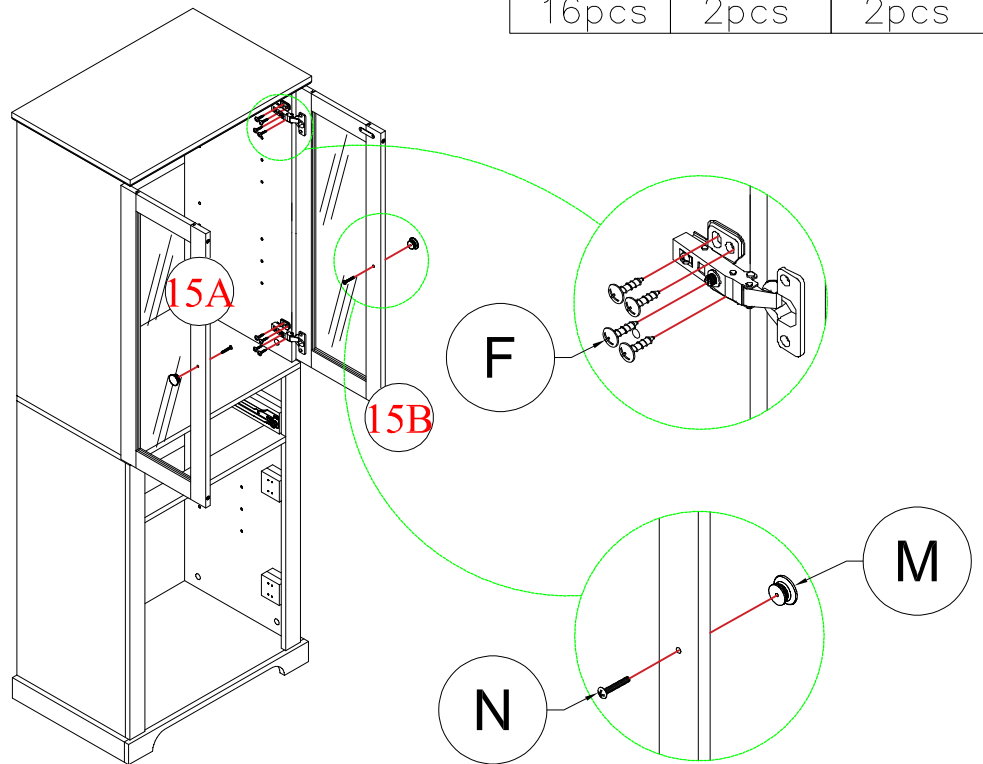
# Step 17:

F	J-2	K	L
			
8pcs	2pcs	4pcs	4pcs

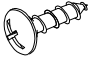
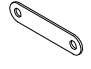




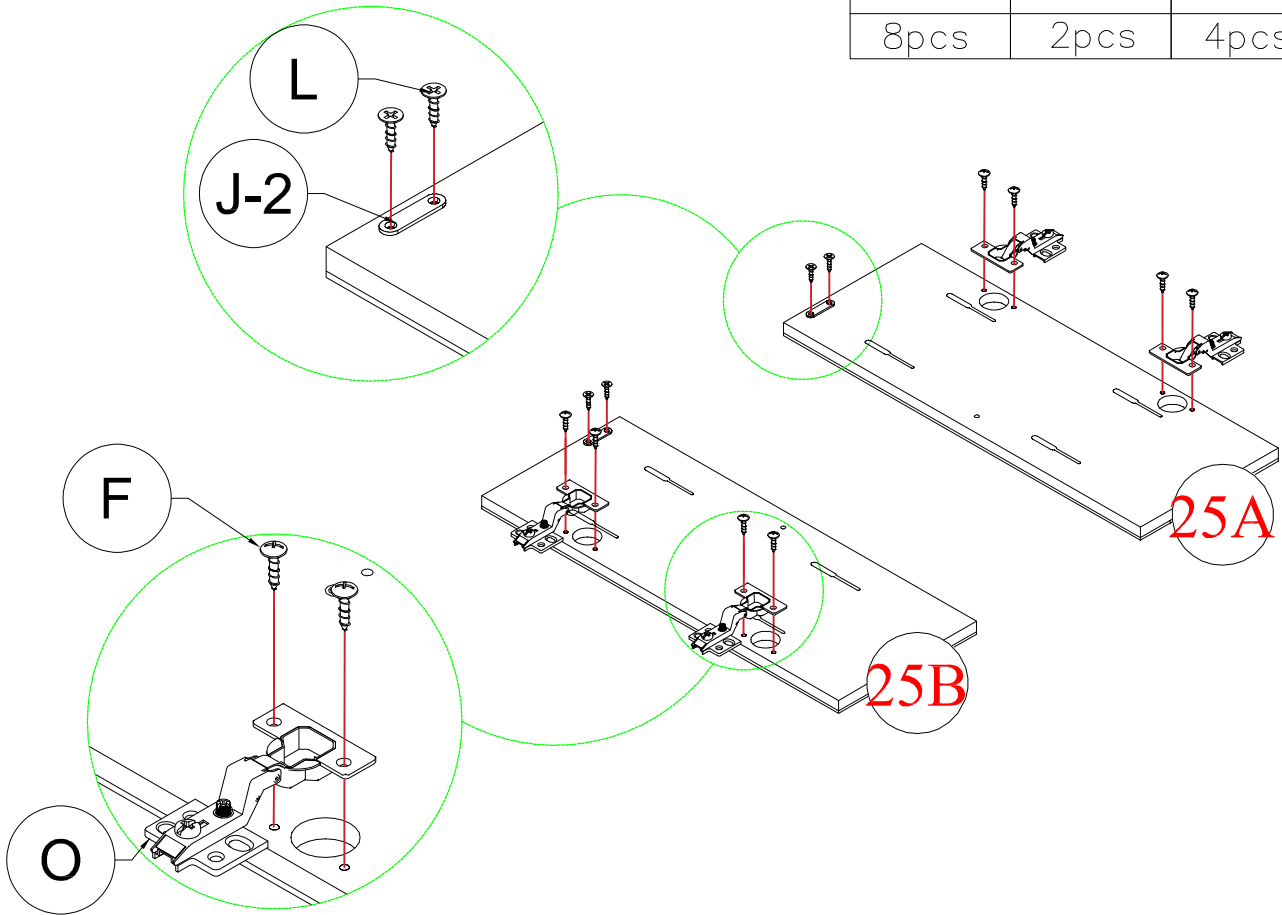
# Step 18:

F	M	N
		
16pcs	2pcs	2pcs

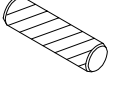


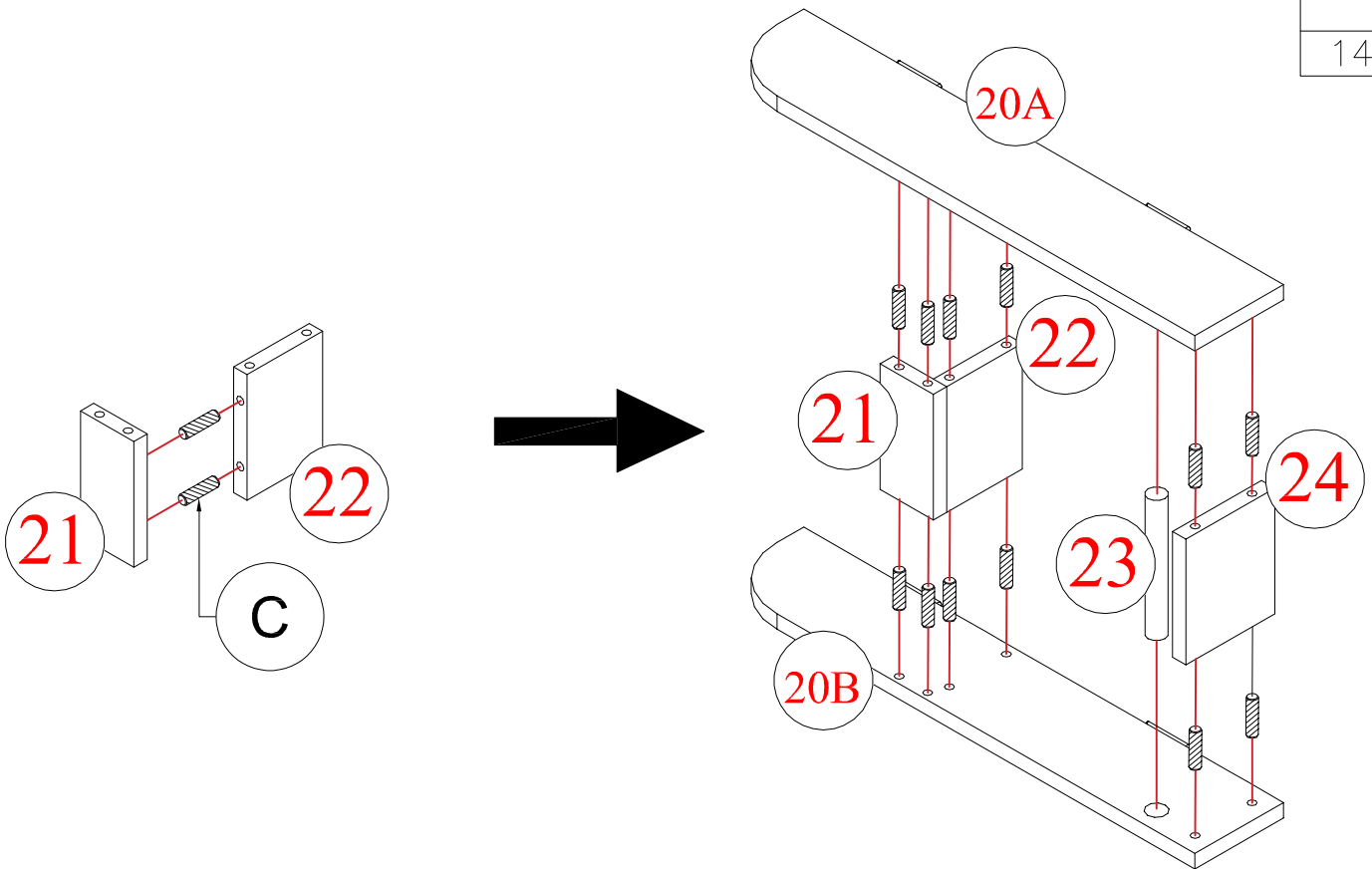
# Step 19:

<b>F</b> 	<b>J-2</b> 	<b>O</b> 	<b>L</b> 
8pcs	2pcs	4pcs	4pcs

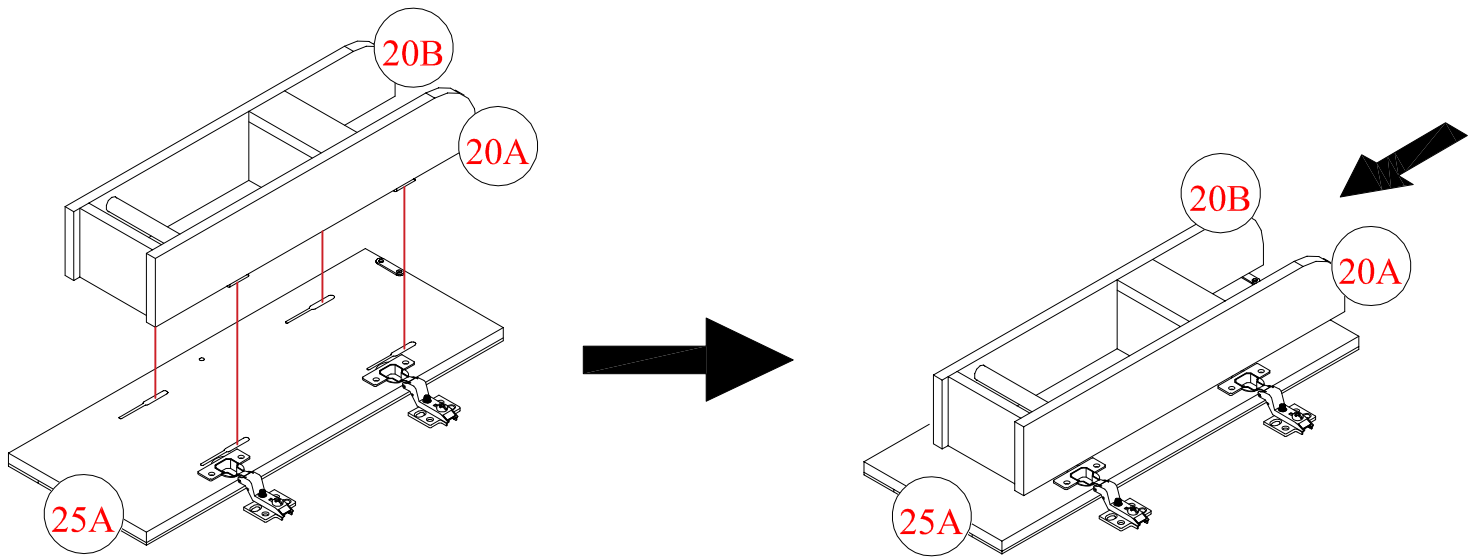


# Step 20:

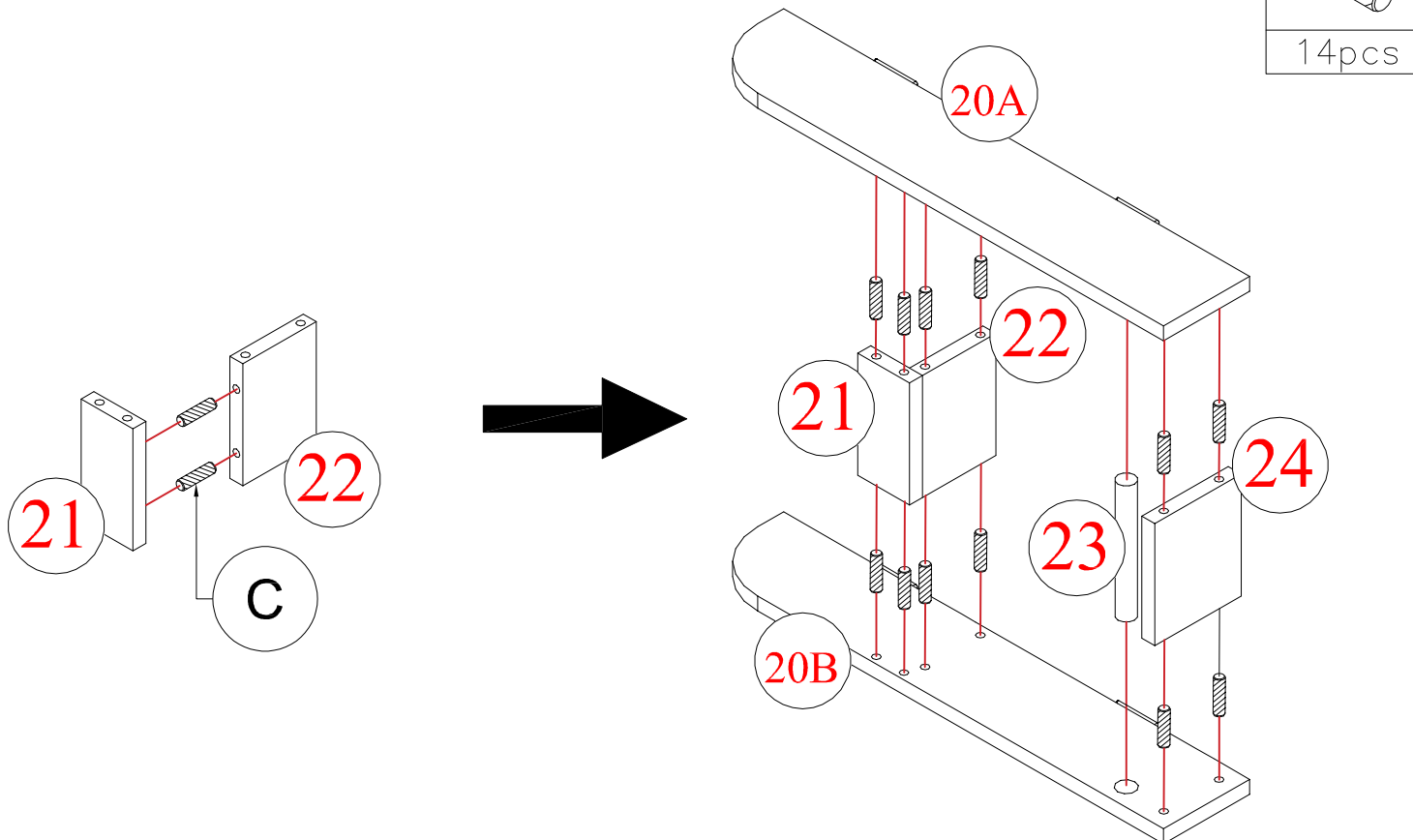
<b>C</b> 
14pcs



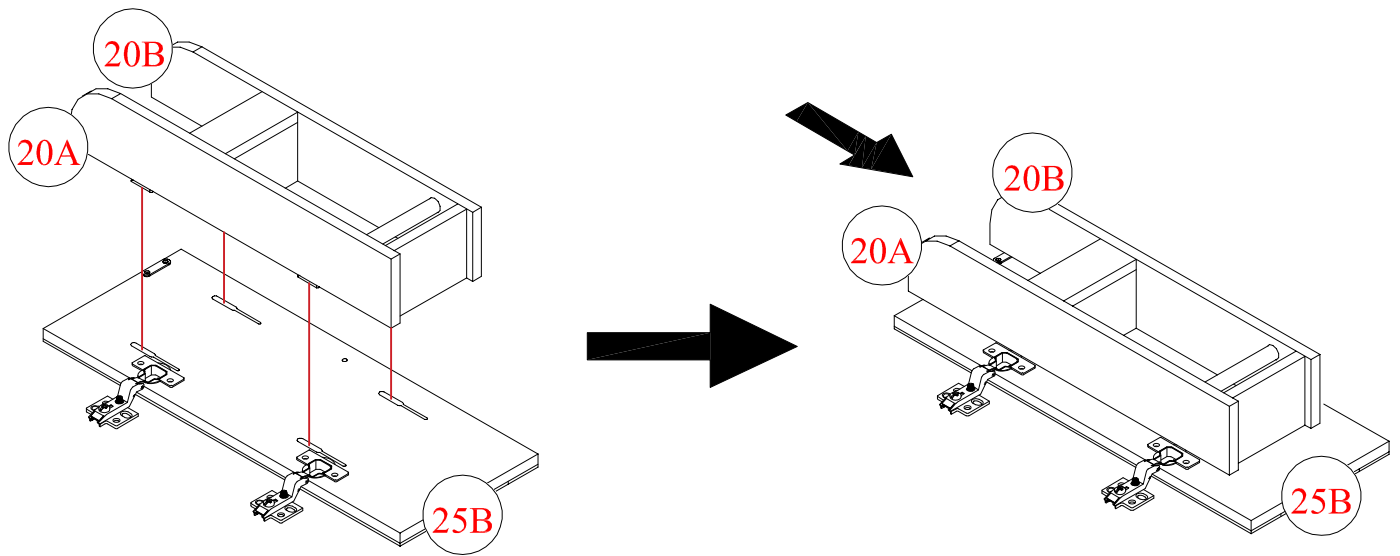
## Step 21:



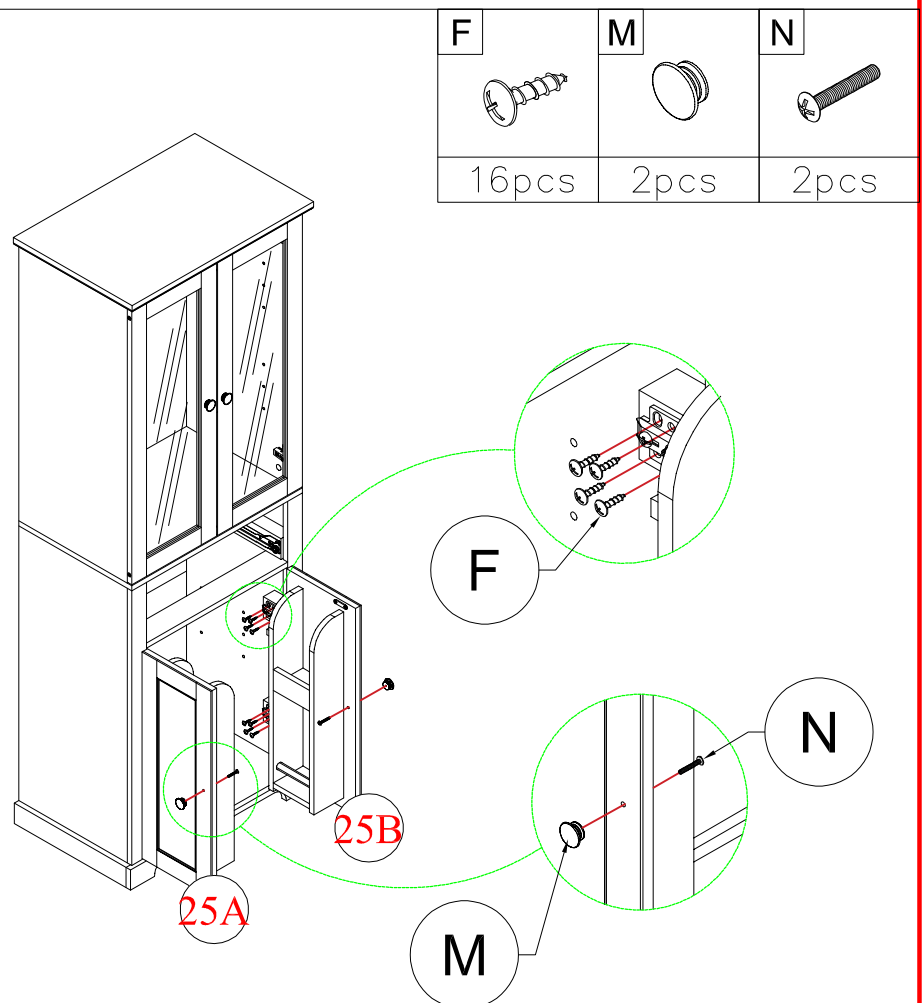
## Step 22:



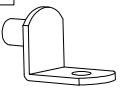
## Step 23:

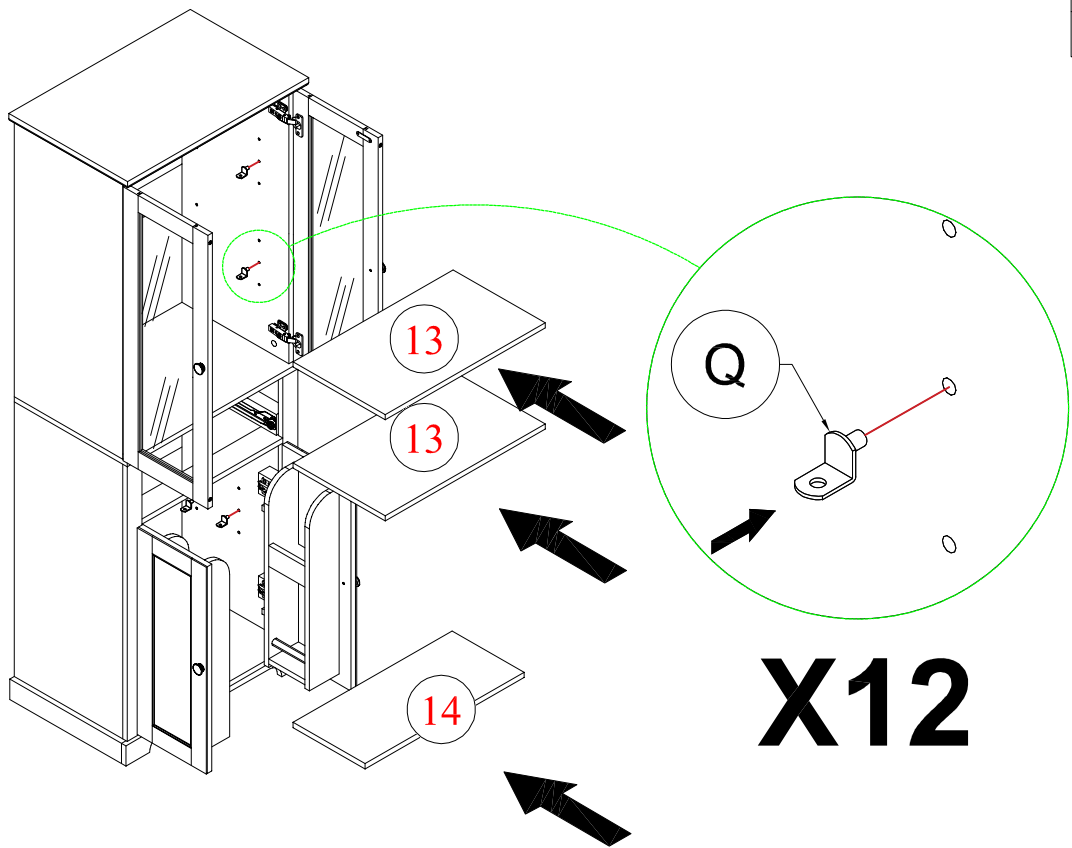


## Step 24:

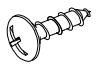


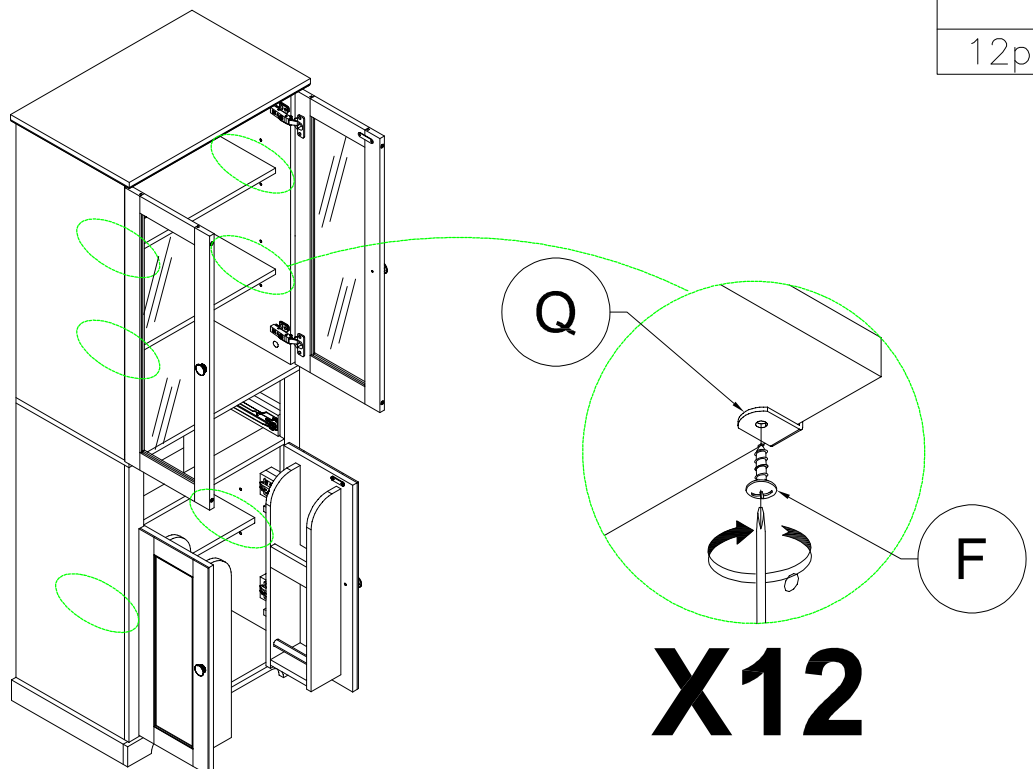
# Step 25:

Q

12pcs



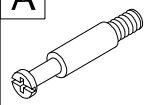
# Step 26:

F

12pcs

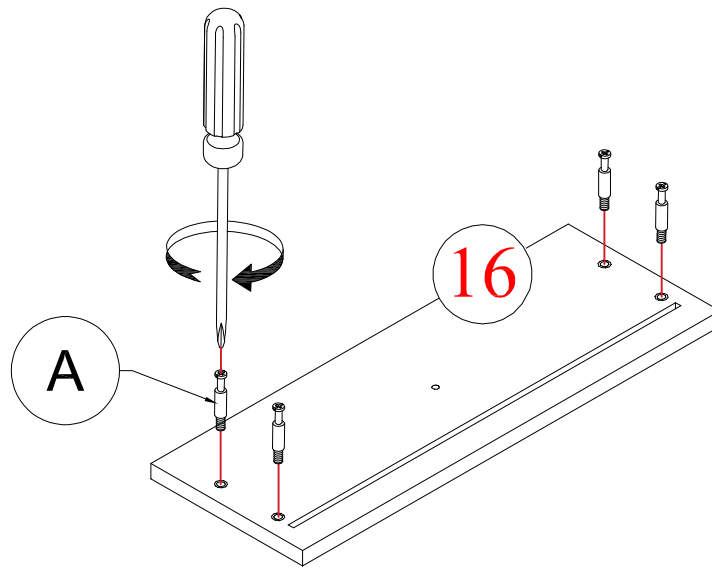


# Step 27:

A

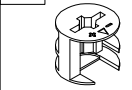


4pcs

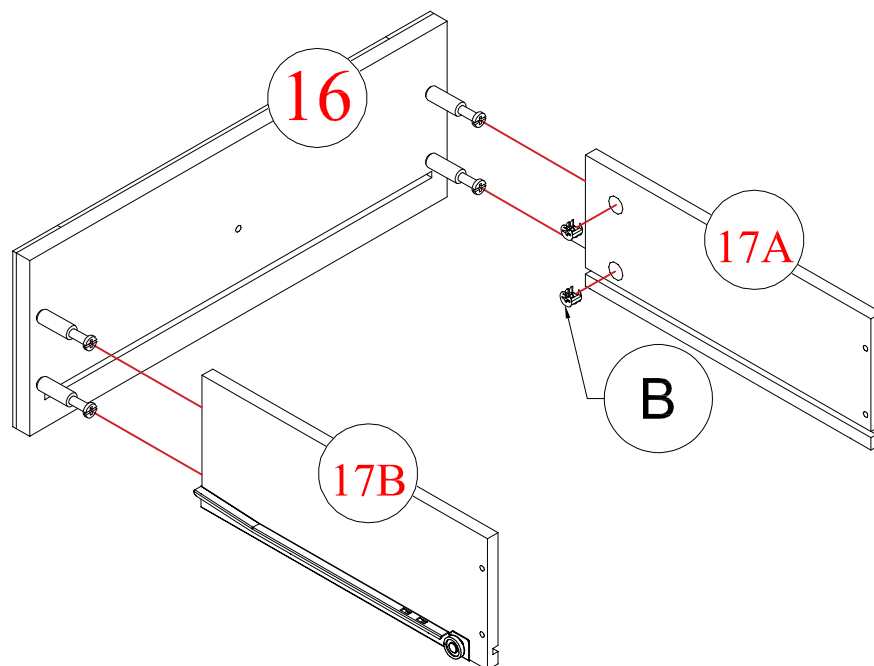


# Step 28:

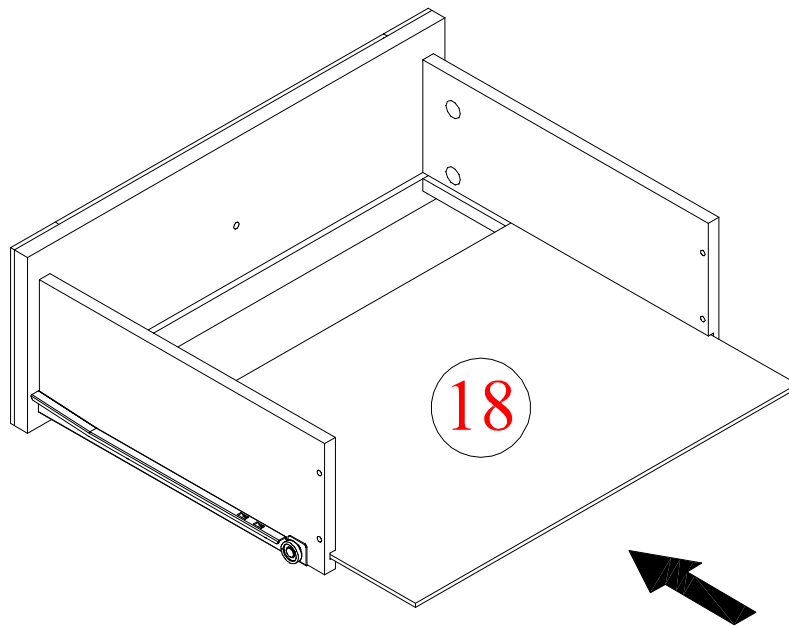
B



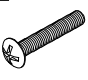
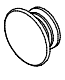
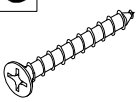
4pcs

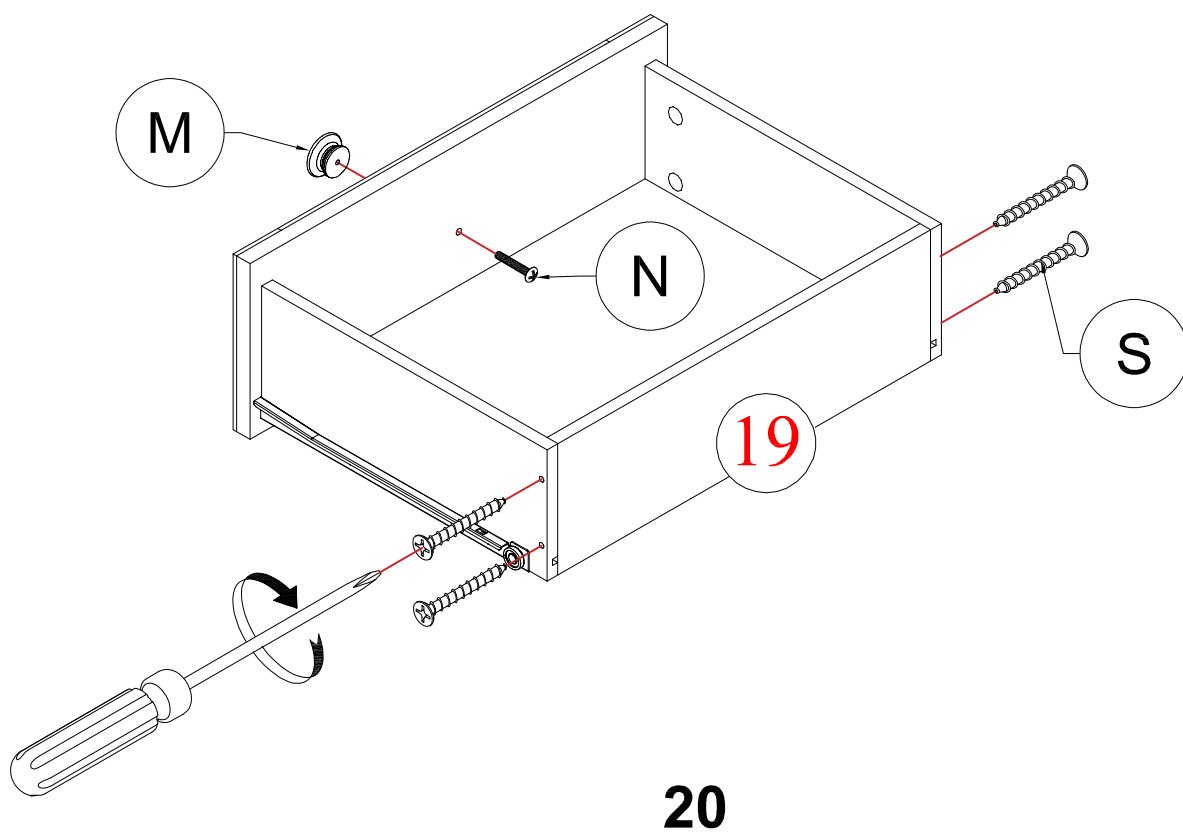


# Step 29:

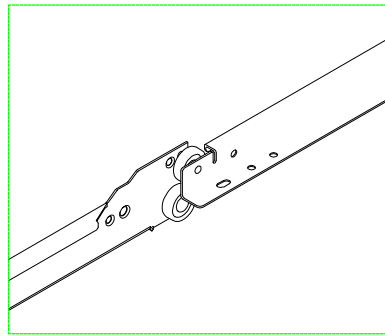
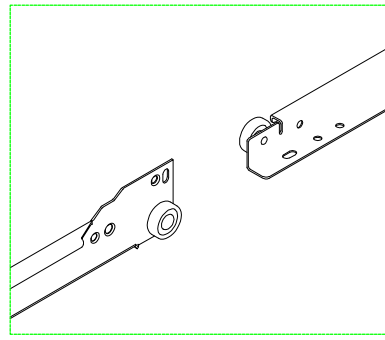
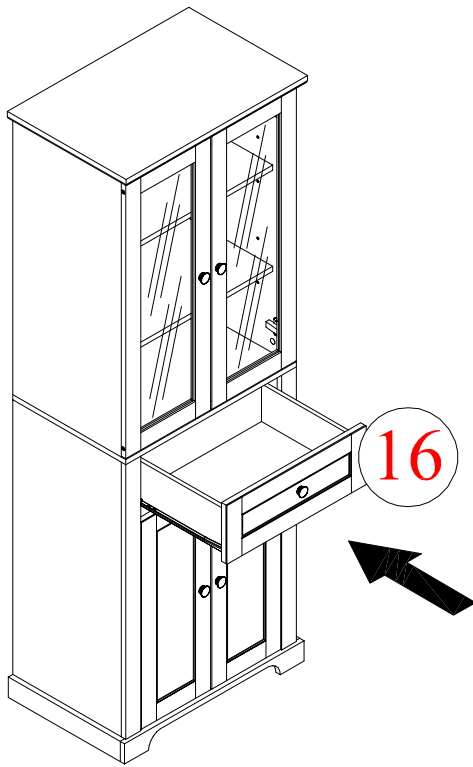


# Step 30:

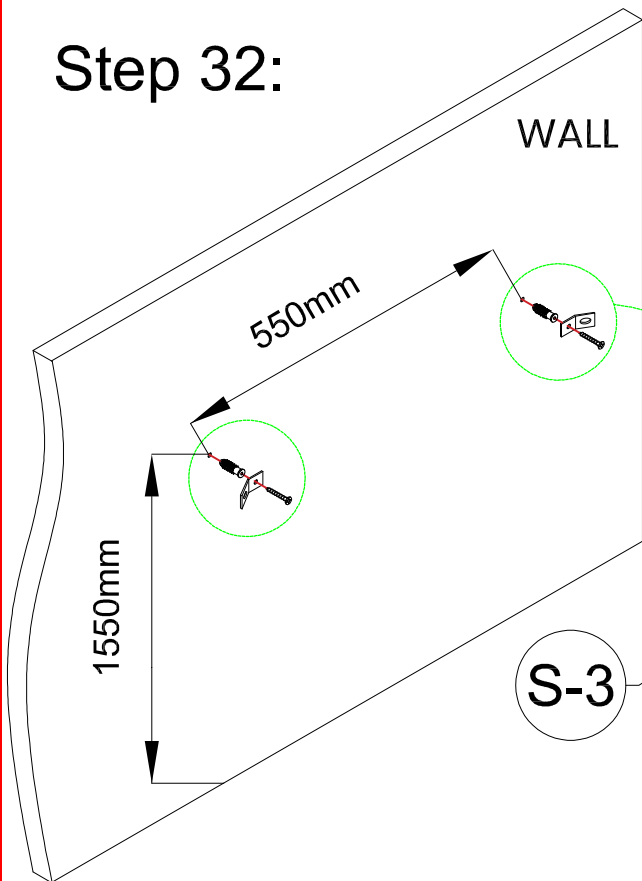
N	M	G
		
1pc	1pc	4pcs

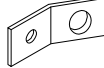
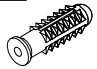
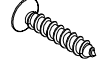


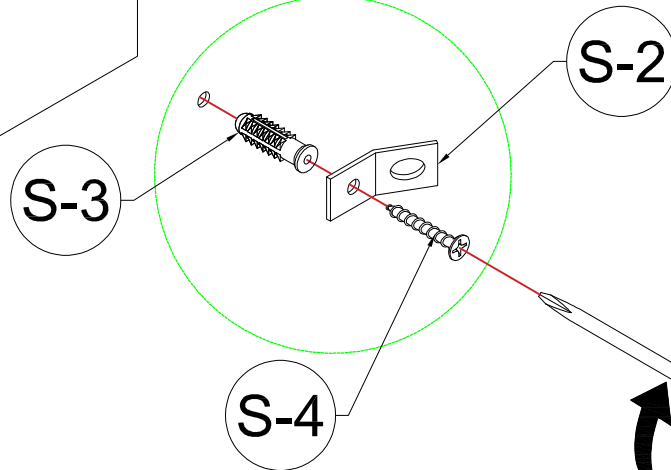
# Step 31:



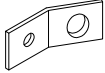

# Step 32:

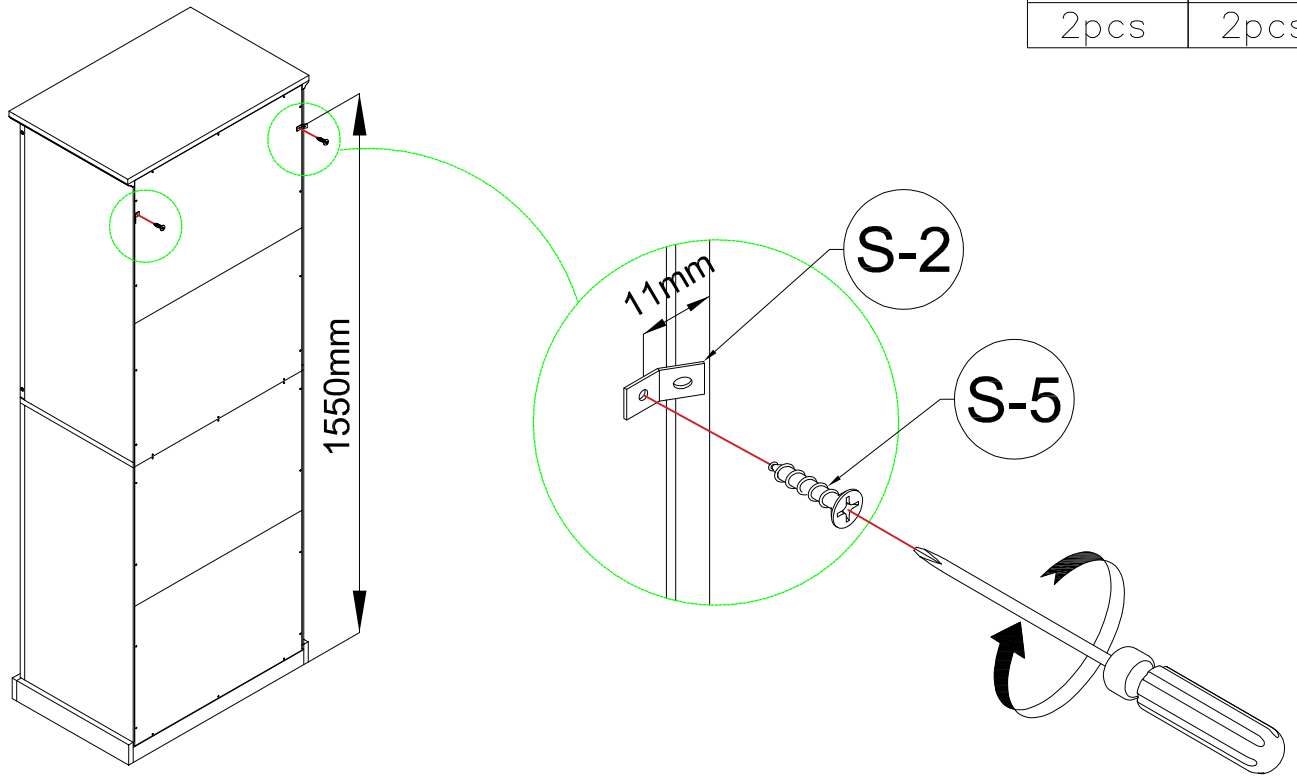


S-2	S-3	S-4
		
2pcs	2pcs	2pcs




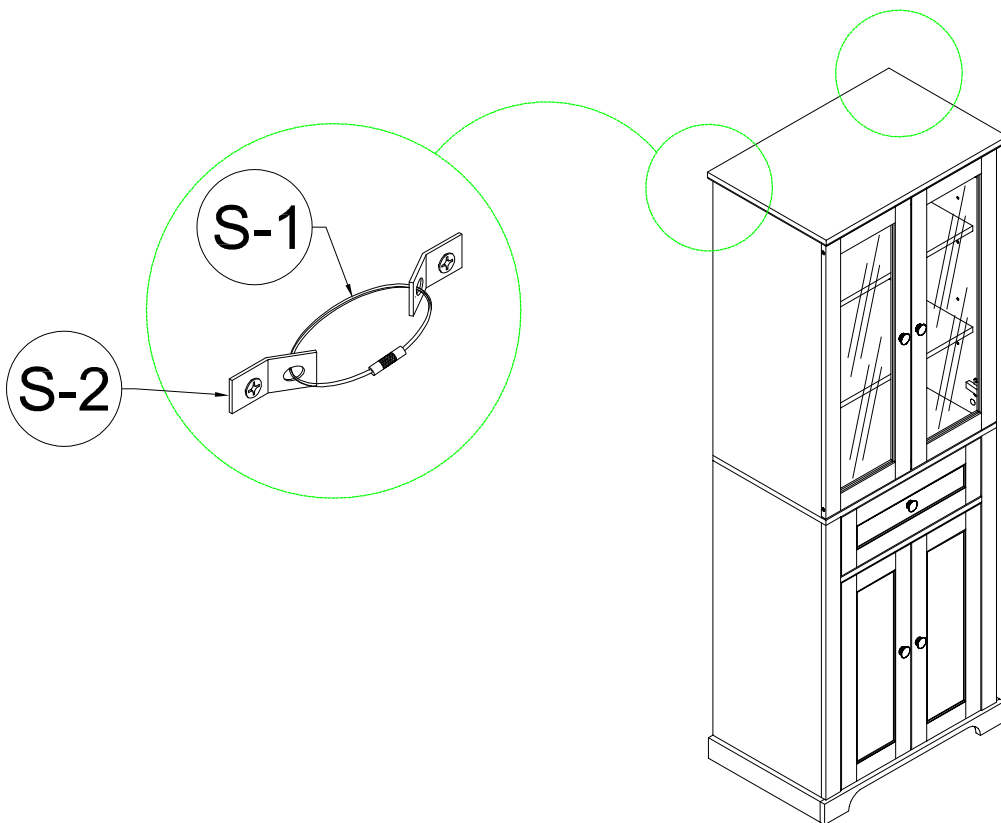
# Step 33:

S-2	S-5
	
2pcs	2pcs



# Step 34:

S-1

2pcs



# FINISH

