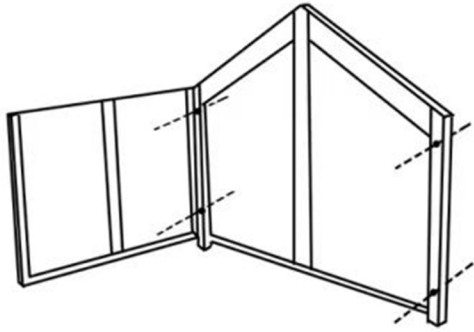
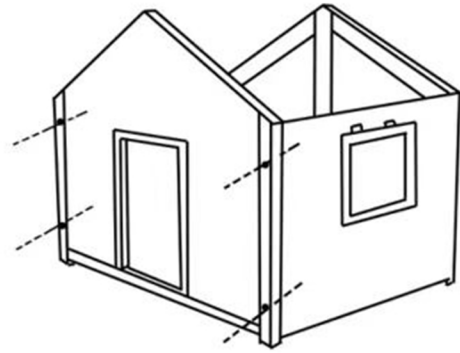


Dog House Installation Manual



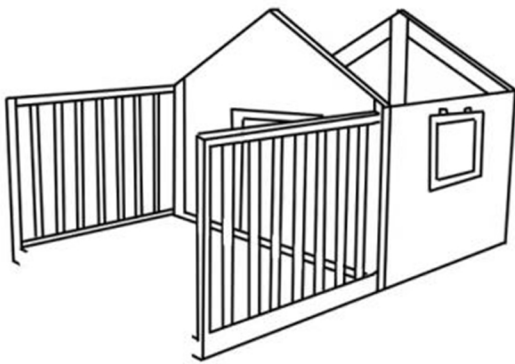
Step 1:

Thread screws through the reserved screw holes and tighten them securely.



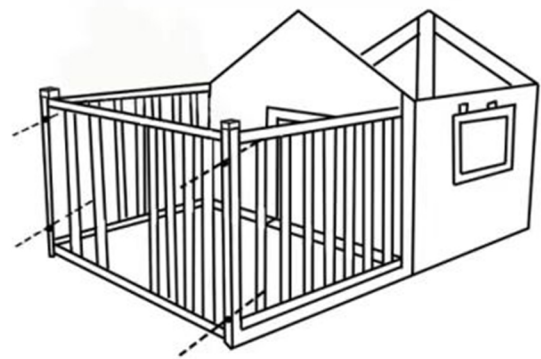
Step 2:

Install the other two boards using the same method.



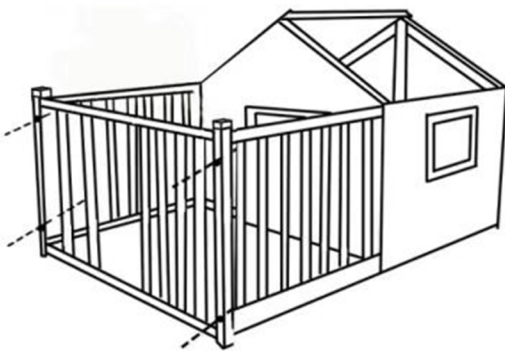
step 3:

Secure the outer fence on both sides to the dog house with screws.



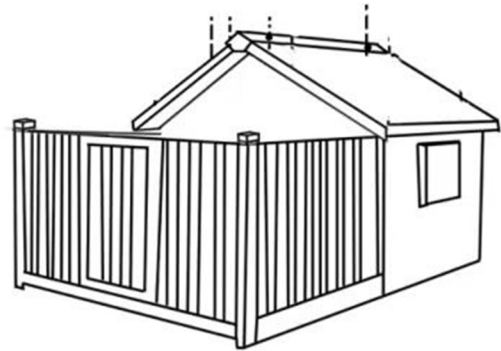
step 4:

Secure the three sided fence with screws.



step 5:

Cover both sides of the roof and fix them separately with screws.



step 6:

Cover the roof ridge, fix it with screws, and finally install the bottom plate.

If the roof is uneven and there is a protrusion on one side, gently kick the column below the corresponding protrusion position with your foot until the roof is aligned.)