

ASSEMBLY INSTRUCTIONS

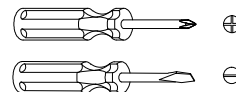
GEORGIA KITCHEN CART ITEM# 63000

ASSEMBLY
REQUIREMENTS

3 Hours
Assembly Time
(Approximate)

1-Person
Assembly

Tools Required:
(Not Provided)

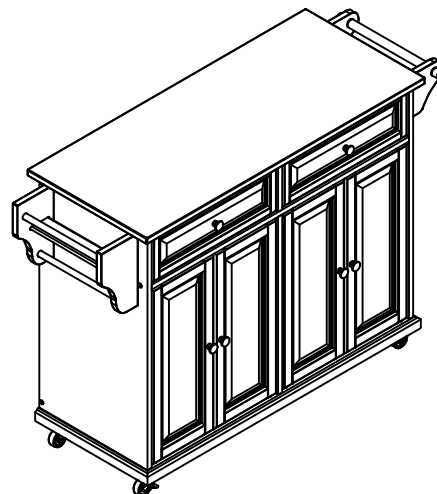


Thank you for purchasing our product!

Please refer and use this assembly instruction to assemble the product. Contact our customer service department in case there are any missing or damage parts or hardware. Replacement parts are normally shipped within 2 or 3 days.

**Email: replacementparts@buylateral.com
Within 30 days from delivery date**

We appreciate your business!



ASSEMBLY PREPARATION

1. Remove all packaging materials, staples and packing straps from the carton.
2. Refer to Parts List and Hardware List, and ensure parts and hardware are correct before assembly. Contact customer service for missing parts.
3. Place all wooden parts on a clean, flat and soft surface (e.g. carpet or rug) to prevent scratch and damage to parts.

SAFETY PRECAUTION

1. KEEP ALL HARDWARE PARTS OUT OF REACH OF CHILDREN.
2. DISPOSE PLASTIC PACKAGING MATERIAL IMMEDIATELY TO AVOID ANY RISK OF SUFFOCATION TO CHILDREN AND ANIMALS.

TIPS FOR ASSEMBLY

1. Allow ample room for assembly and in close proximity to where product will be placed.
2. Assemble the product on a surface that does not scratch or damage the exterior gloss and finish of the furniture.
3. Identify all of the parts, hardware and quantities required for each step.
4. During assembly, do not over-tighten any fittings as this may cause damage.
5. DO NOT USE POWER TOOLS TO ASSEMBLE THIS PRODUCT.
6. Always place the product on a flat, level surface.
7. Do not sit or stand on the partially assembled product; only use the product for which it is intended.

CARE AND MAINTENANCE

- Use a slightly damp cloth to clean the product. Do not use bleach or abrasive cleaning material.
- Check all the fittings periodically and re-tighten as necessary. Do not use the product if any of the parts is damaged or broken.
- Never allow any kind of liquid to remain on your furniture. Absorption can cause wood to warp or delaminate.
- Do not place hot items (e.g. hot drinks) directly onto the wood surface.
- Do not drag and/or pull the furniture.

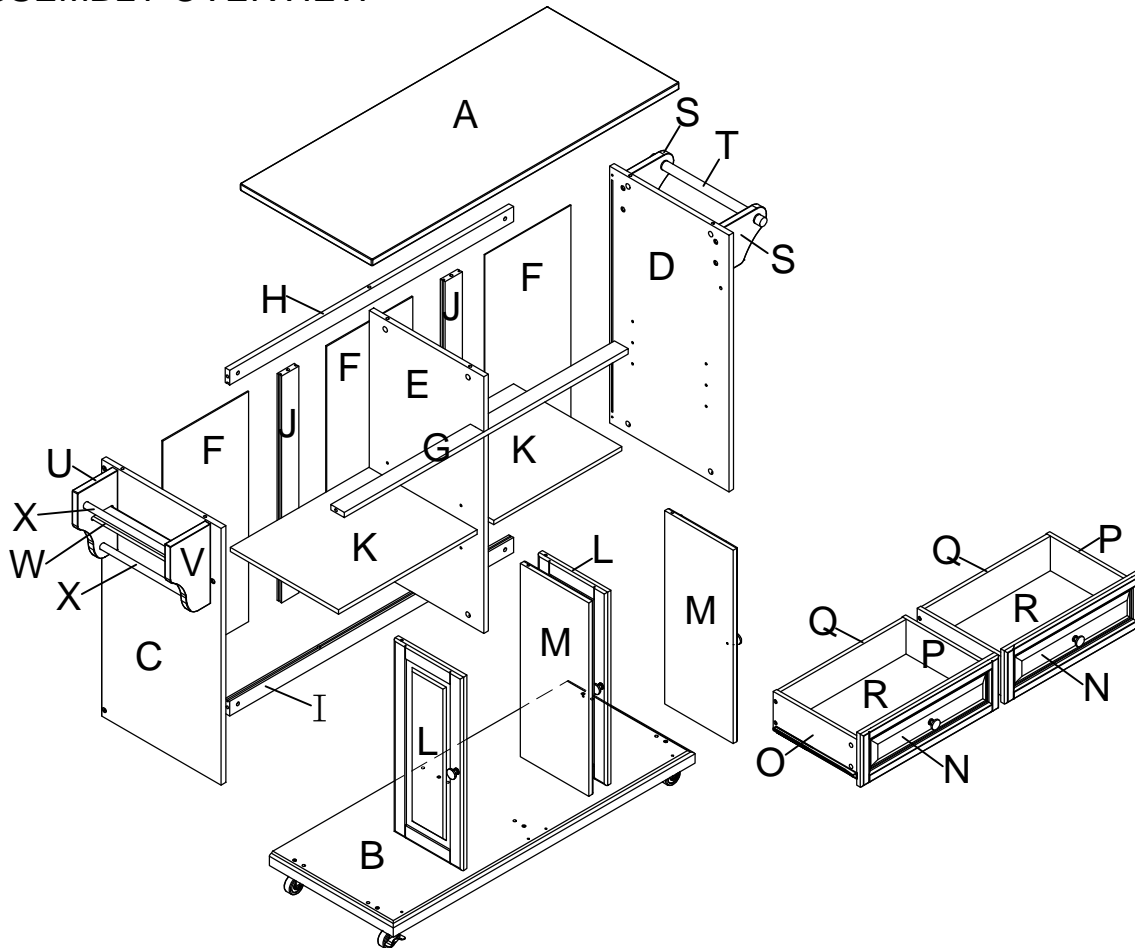
This product is for indoor and household use only - not for commercial use.

ASSEMBLY INSTRUCTIONS
GEORGIA KITCHEN CART ITEM# 63000

PARTS LIST

NO.	PART NAME	QTY	NO.	PART NAME	QTY
(A)	Top Panel	1	(M)	Right Door	2
(B)	Bottom Panel	1	(N)	Drawer Front Panel	2
(C)	Left Panel	1	(O)	Drawer Left Panel	2
(D)	Right Panel	1	(P)	Drawer Right Panel	2
(E)	Middle Panel	1	(Q)	Drawer Back Panel	2
(F)	Back Panel	3	(R)	Drawer Bottom Panel	2
(G)	Front Center Rail	1	(S)	Towel Rack Support	2
(H)	Back Top Rail	1	(T)	Towel Rod	1
(I)	Back Bottom Rail	1	(U)	Spice Rack Left Panel	1
(J)	Back Post	2	(V)	Spice Rack Right Panel	1
(K)	Shelf Panel	2	(W)	Spice Rack Bottom Panel	1
(L)	Left Door	2	(X)	Spice Rack Bar	2





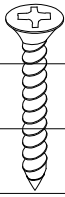
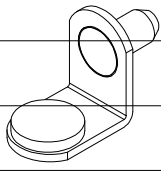
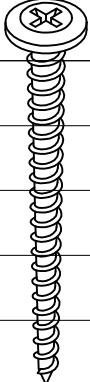
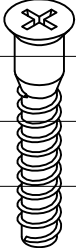

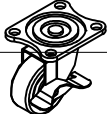
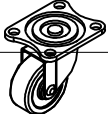
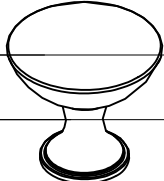
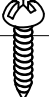
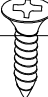
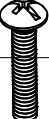
ASSEMBLY OVERVIEW



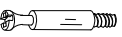



ASSEMBLY INSTRUCTIONS

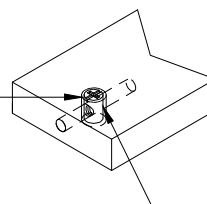
GEORGIA KITCHEN CART ITEM# 63000

HARDWARE LIST

						3CM
20X ø6*35mm 1 Cam-bolt	12X ø8*30mm 2 Wood Dowel	20X ø15*9mm 3 Cam-lock	6X ø10*10mm 4 Barrel Nut	8X ø3*30mm 5 Screw	8X ø6.5mm 6 Shelf Holder	2CM
						1CM
						0CM
						6CM
						5CM
						4CM
						3CM
						2CM
8X ø7*38mm 7 Screw						1CM
						0CM
	6X ø5*60mm 8 Screw	2X 70*12mm 9 Door Magnet		2X 3" 10 Caster With Lock	2X 3" 11 Caster	
						3CM
						2CM
						1CM
						0CM
16X ø4*15mm 12 Screw	4X 3.5*15mm 13 Screw	6X ø29*28mm 14 Handle		6X ø5/32"*22mm 15 Handle Bolt		

EXTRA HARDWARE

			
ø6*35mm 1PC Cam-bolt	ø15*9mm 2PCS Cam-lock	ø8*30mm 2PCS Wood Dowel	ø10*10mm 2PCS Barrel Nut



If Barrel Nut is missing in a part, use the extra Barrel Nut provided to insert into this hole.

INSTRUCTIONS FOR CAM-BOLT & CAM-LOCK

INSERTING AND TIGHTENING CAM-BOLT

Place Cam-bolt on pre-drilled hole and screw in vertically

SHOULDER

PANEL

Shoulder is flushed (on the same level) with the panel.

PANEL

Shoulder is above the panel.

Place Cam-bolt on the designated pre-drilled holes on the panel. Use a Phillips Screwdriver to screw-in Cam-bolt vertically until shoulder is flushed (on the same level) with panel.

INSERTING CAM-LOCK

Insert Cam-lock with arrow align to Cam-bolt head

CORRECT

WRONG

Align the arrow on the Cam-lock to the Cam-bolt head and insert the Cam-lock. Ensure Cam-lock is fully inserted.

TIGHTENING CAM-LOCK

Use a Flat-head Screwdriver to turn Cam-lock clockwise so it locks onto the head of the Cam-bolt. Turn until it is snug (about 3/4ths of a turn) -- over-tightening could damage Cam-lock or/and Cam-bolt.

Instructions For Barrel Nut

Insert Barrel Nut with the perpendicular hole facing and in-line with the drill hole that the bolt is to be inserted.

Use a Flat-head Screwdriver to hold Barrel Nut in position before inserting bolt to thread into the Barrel Nut.

STEP 1

Perpendicular Hole

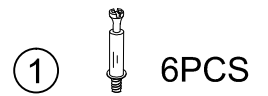
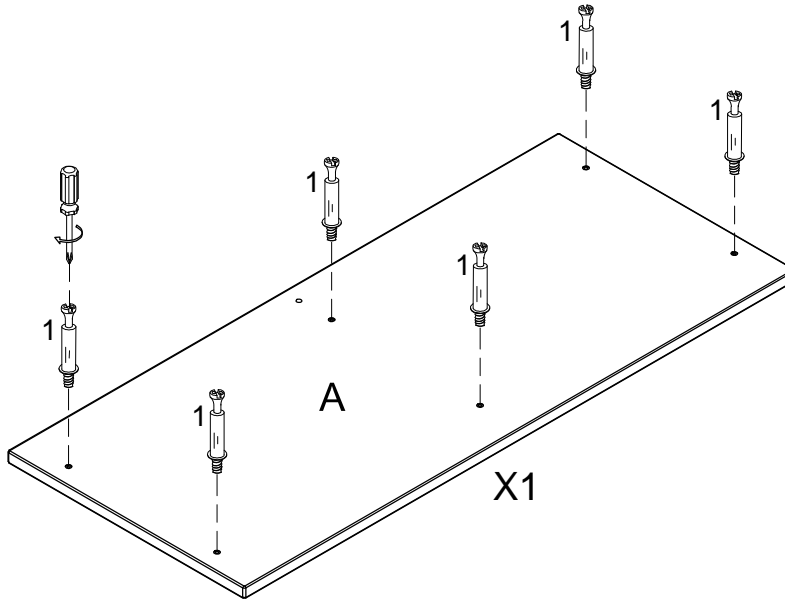
Entry Hole for Bolt

STEP 2

ASSEMBLY INSTRUCTIONS
GEORGIA KITCHEN CART ITEM# 63000

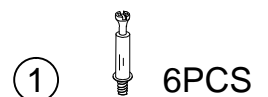
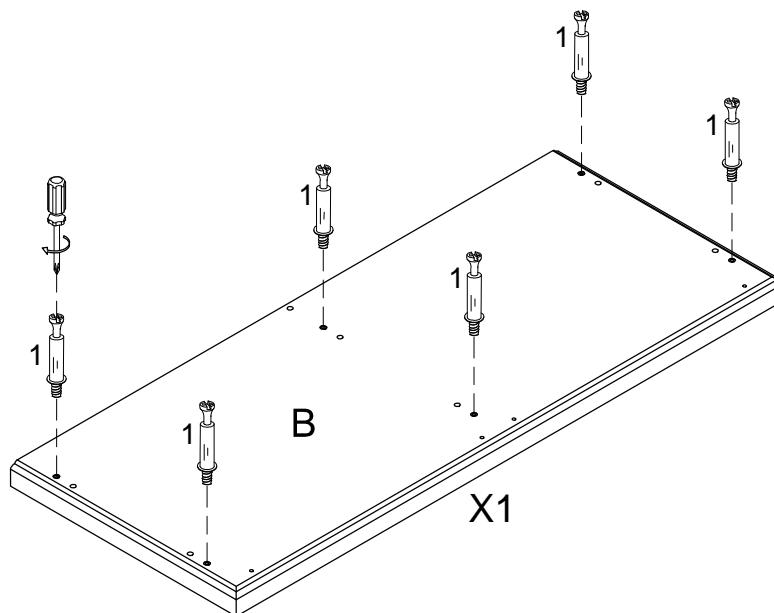
STEP 1

- a) Lay Top Panel (A) bottom-side up as shown on a material that does not scratch or damage the part.
- b) Screw in Cam-bolt (1) into designated holes as shown. Refer to Page 4 for instructions to screw in and tighten Cam-bolt.



STEP 2

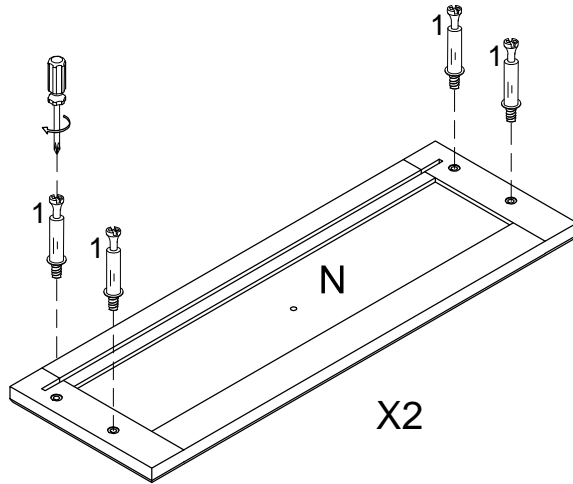
- a) Lay Bottom Panel (B) right-side up as shown and Screw in Cam-bolt (1) into designated holes.




ASSEMBLY INSTRUCTIONS
GEORGIA KITCHEN CART ITEM# 63000

STEP 3

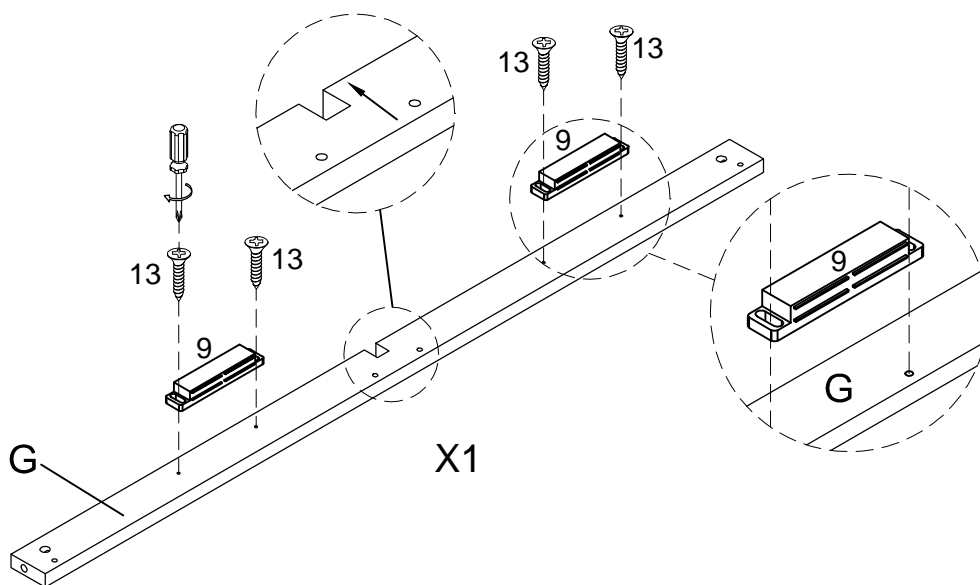
- a) Lay Drawer Front Panel (N) as shown on a material that does not scratch or damage the parts and screw in Cam-bolt (1) into designated holes as shown.





①  8PCS

STEP 4

- a) Lay Front Center Rail (G) as shown and use Screw (13) to fasten Door Magnet (9) into the pilot holes as shown.



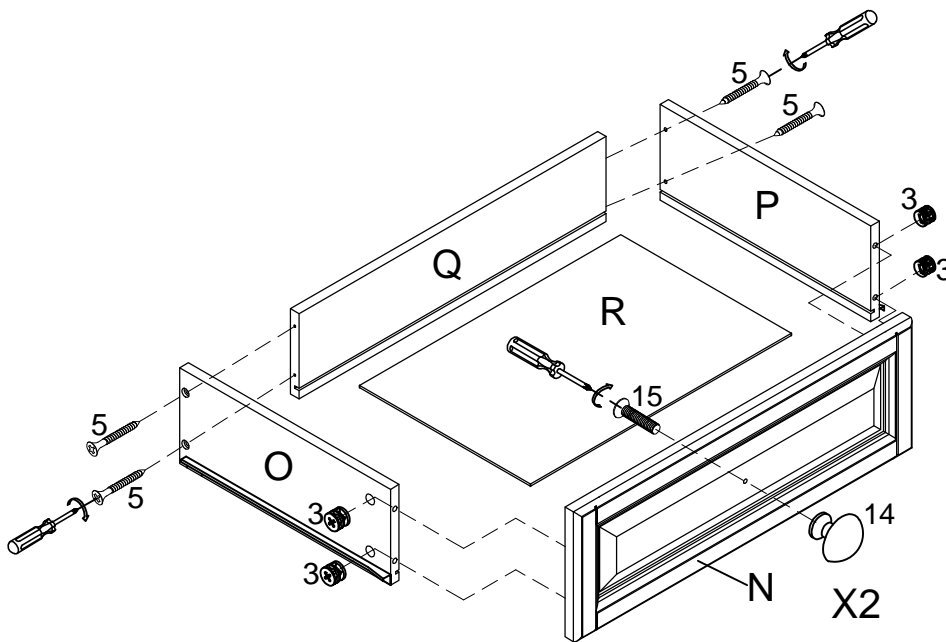
⑨  2PCS
⑬  4PCS





ASSEMBLY INSTRUCTIONS

GEORGIA KITCHEN CART ITEM# 63000

STEP 5

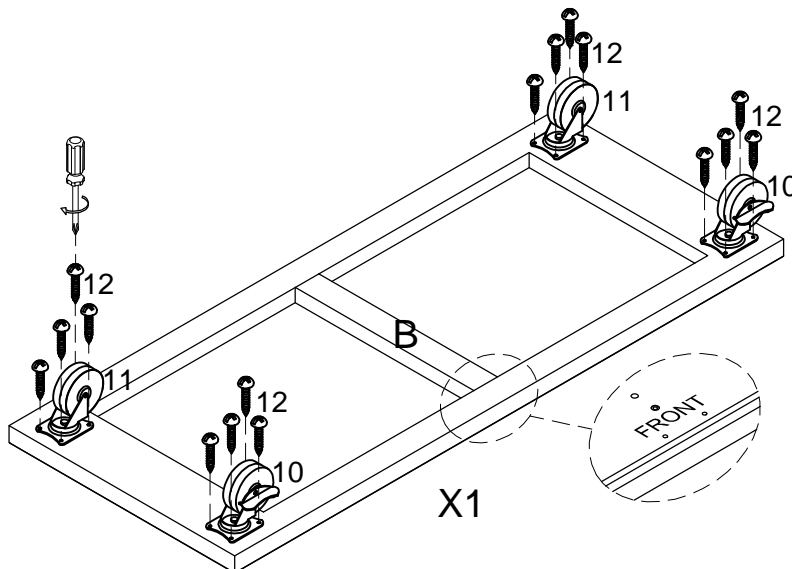
- a) Position Drawer Back Panel (Q) between Drawer Left & Right Panel (O & P) as shown. Check that the groove on (O, P & Q) are aligned and use Screw (5) to fasten (O & P) to (Q).
- b) Fit Drawer Bottom Panel (R) via groove on (O, P & Q).
- c) Attach Drawer Front Panel (N) from STEP 3 to (O & P) via cam-bolts on (Q). Next, insert Cam-lock (3) into designated holes on (O & P) and turn clockwise to lock onto cam-bolt. Refer to Page 4 for instructions on inserting and tightening cam-lock.
- d) Use Handle Bolt (15) to fasten Handle (14) to Front Panel (N).



③		8PCS
⑤		8PCS
⑭		2PCS
⑮		2PCS

STEP 6

- a) Lay Bottom Panel (B) bottom-side up as shown and use Screw (12) to fasten Casters (10 & 11). Note: the placement of Casters with Lock (10) are at the front edge of (B). Do not tighten the screws completely until all of the screws are in place on each caster.

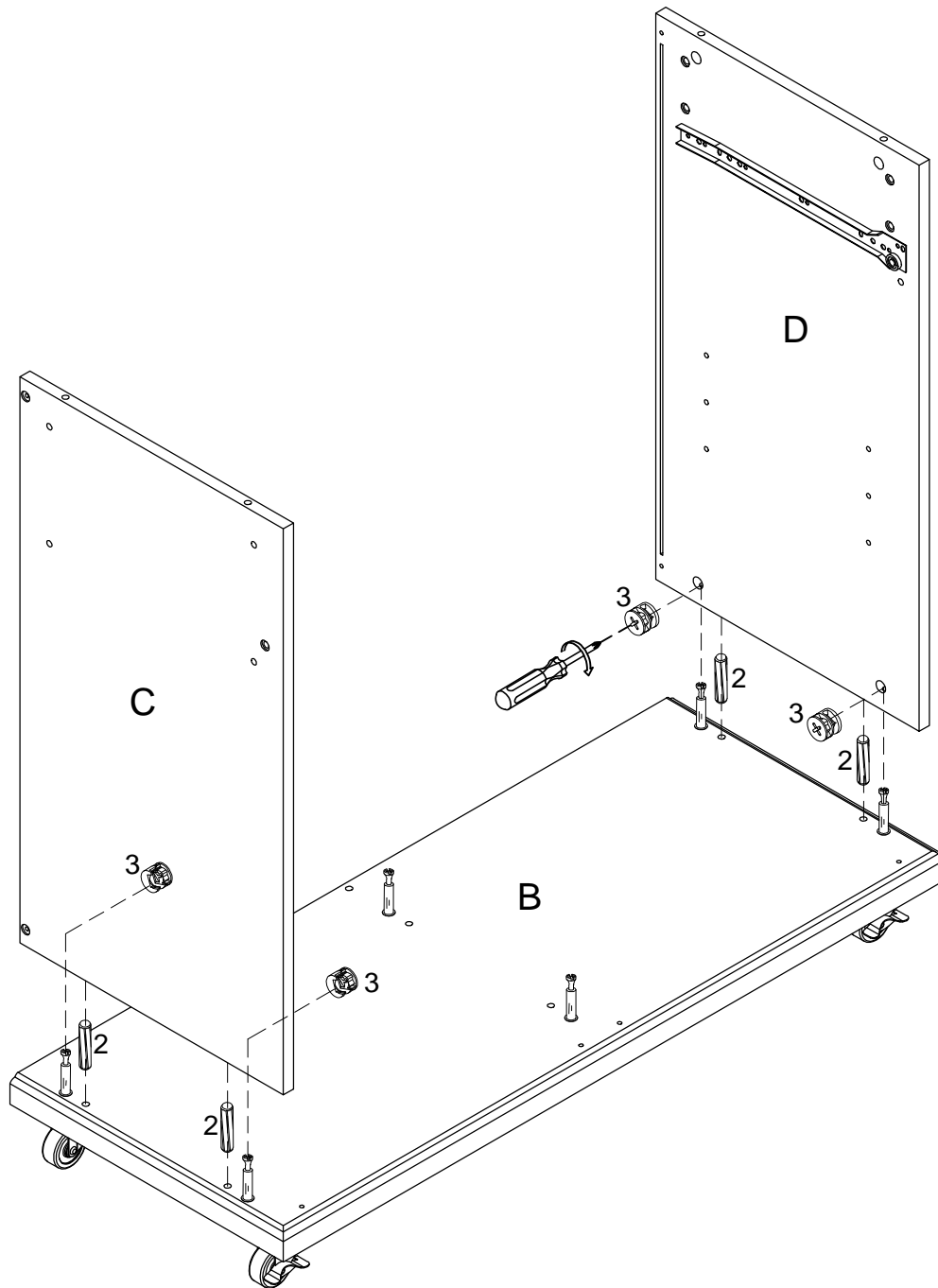


⑩		2PCS
⑪		2PCS
⑫		16PCS

ASSEMBLY INSTRUCTIONS
GEORGIA KITCHEN CART ITEM# 63000

STEP 7

- a) Insert Wood Dowel (2) into the inner holes beside cam-bolt on Bottom Panel (B).
- b) Attach Left and Right Panel (C & D) to Bottom Panel (B) via cam-bolt and wood dowel on (B).
- c) Insert Cam-lock (3) into designated holes on (C & D) and turn cam-lock clockwise to lock onto cam-bolt.

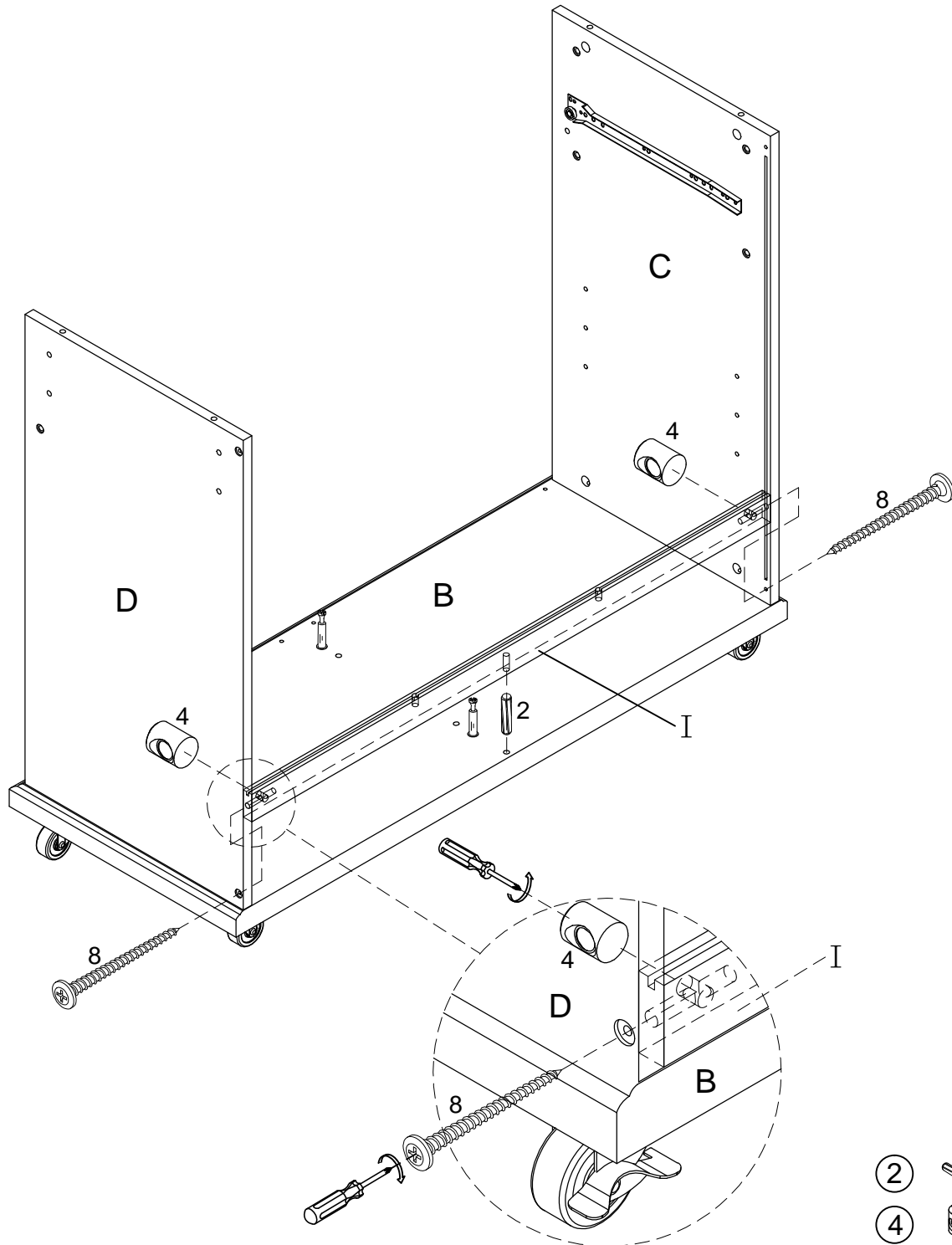





- ②  4PCS
- ③  4PCS

ASSEMBLY INSTRUCTIONS
GEORGIA KITCHEN CART ITEM# 63000

STEP 8

- a) Insert Wood Dowel (2) into designated holes on Bottom Panel (B) as shown.
- b) Attach Back Bottom Rail (I) to (B) via wood dowel.
- c) Insert Barrel Nut (4) into designated hole on Back Bottom Rail (I). Refer to Page 4 for instructions on installing Barrel Nut.
- d) Insert Screw (8) through the designated hole on (C & D) to screw onto barrel nut.

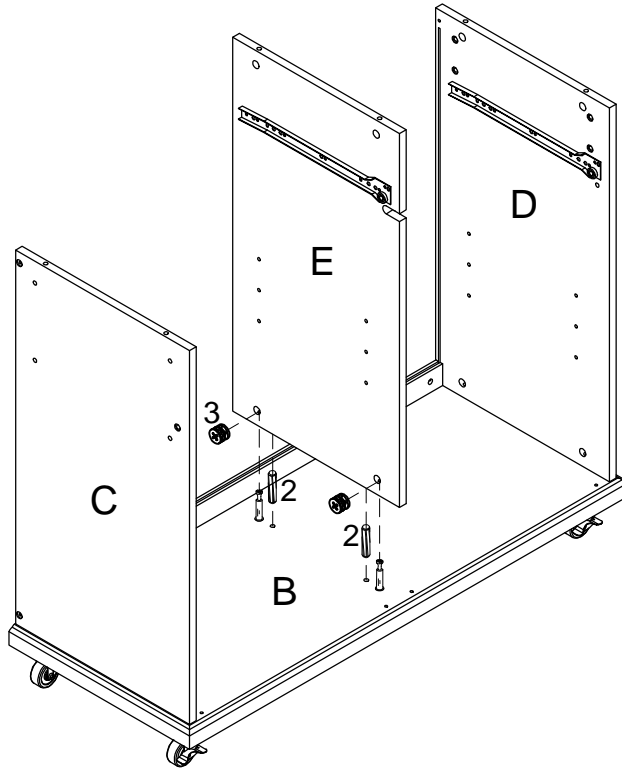




- ②  1PC
- ④  2PCS
- ⑧  2PCS

ASSEMBLY INSTRUCTIONS
GEORGIA KITCHEN CART ITEM# 63000

STEP 9

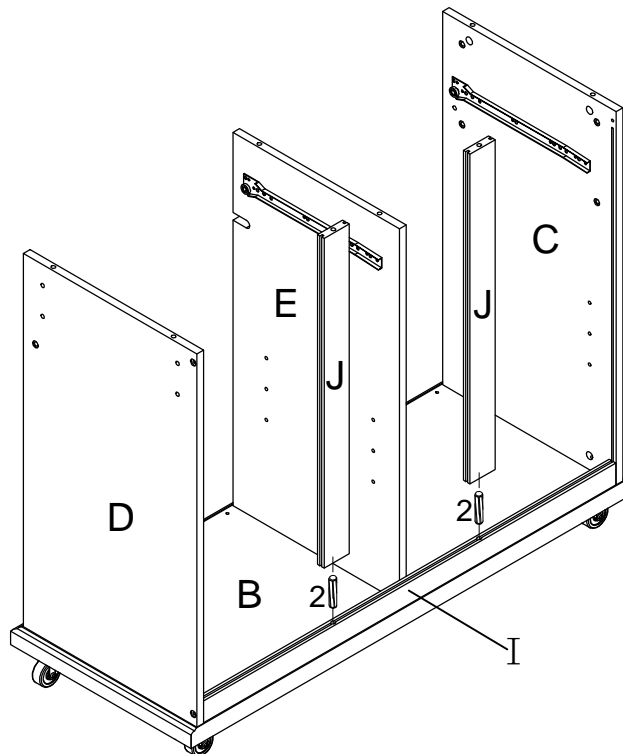
- a) Insert Wood Dowel (2) into the inner holes between the com-bolts on Bottom Panel (B) and attach Middle Panel (E). Next, insert Cam-lock (3) into designated holes on (E) and turn cam-lock clockwise to lock onto cam-bolt.




- ②  2PCS
③  2PCS

STEP 10

- a) Insert Wood Dowel (2) into designated holes on Back Bottom Rail (I) and attach Back Post (J) to (I) via wood dowels.

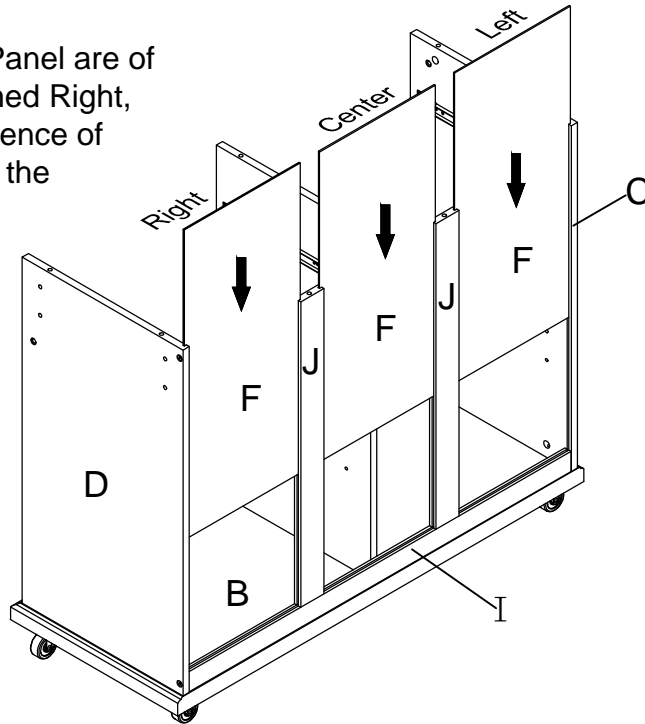


- ②  2PCS

ASSEMBLY INSTRUCTIONS
GEORGIA KITCHEN CART ITEM# 63000

STEP 11

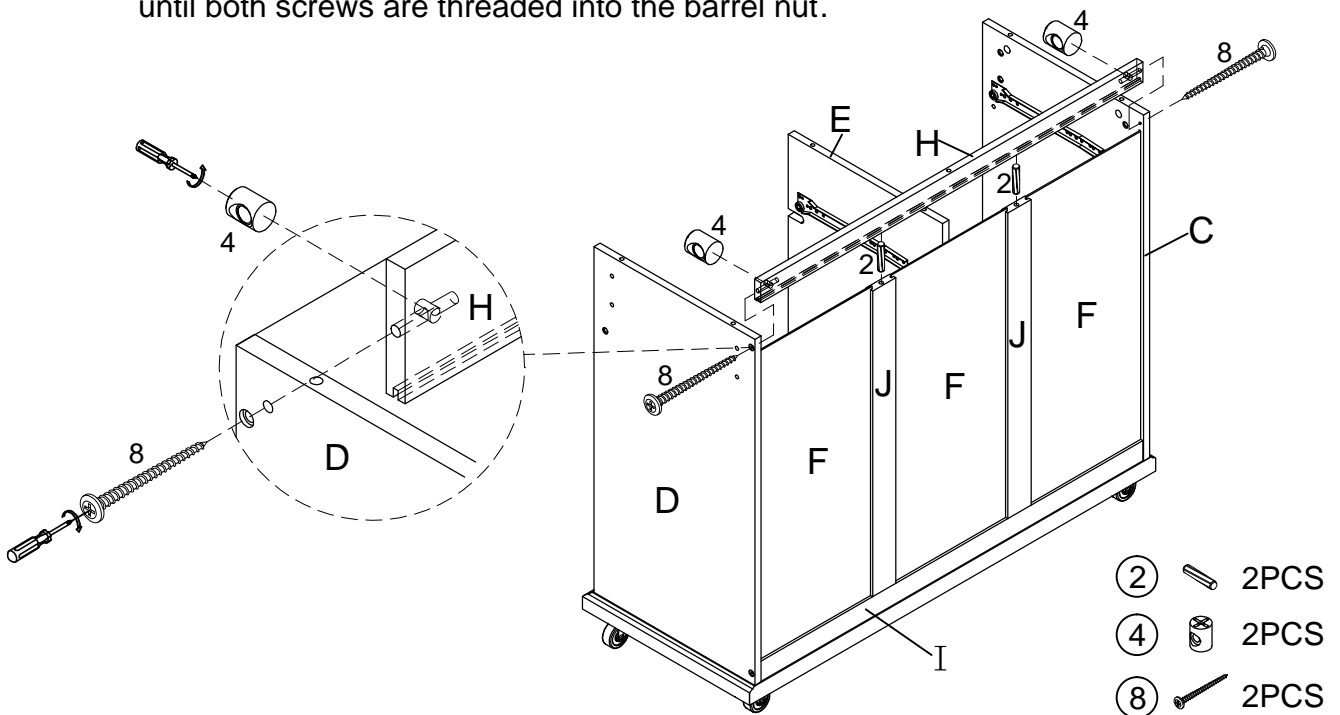
Note: The 3 pieces of Back Panel are of the same size. They are named Right, Center & Left for the convenience of calling out each piece during the assembly process.



- a) Fit Right Back Panel (F) via groove on Right Panel (E) and Back Post (J).
 - b) Fit Center Back Panel (F) via groove on Back Post (J).
 - c) Fit Left Back Panel (G) via groove on Left Panel (D) and Back Post (J).
- Check that the bottom edge of each piece of Back Panel fits into the groove on Back Bottom Rail (L).

STEP 12

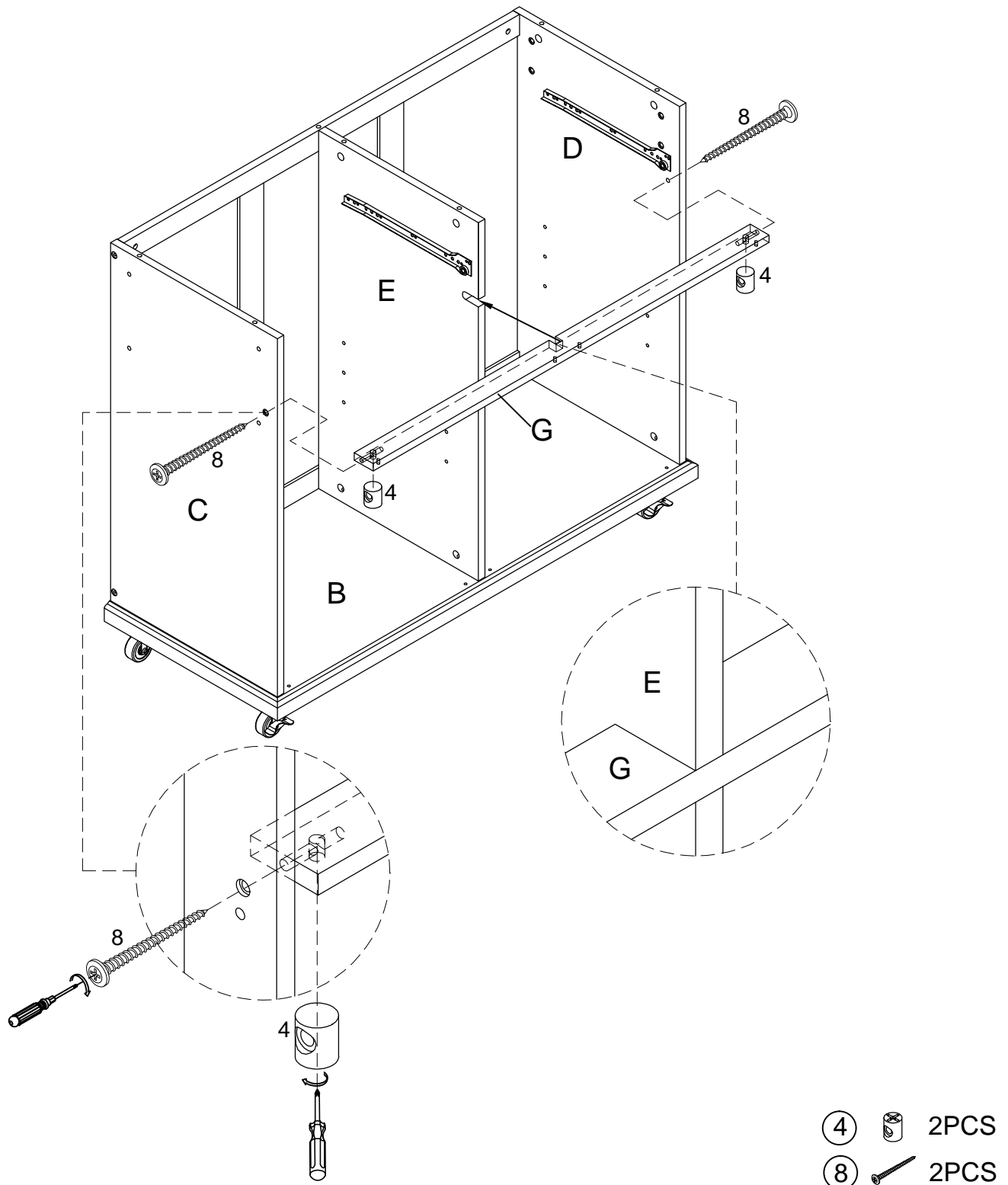
- a) Insert Wood Dowel (2) into designated hole on both Back Post (J) and attach Back Top Rail (H) to (J).
- b) Insert Barrel Nut (4) into designated hole on (H) and insert Screw (8) through the designated hole on (D & C) to screw onto barrel nut. Do not tighten (8) completely until both screws are threaded into the barrel nut.



ASSEMBLY INSTRUCTIONS
GEORGIA KITCHEN CART ITEM# 63000

STEP 13

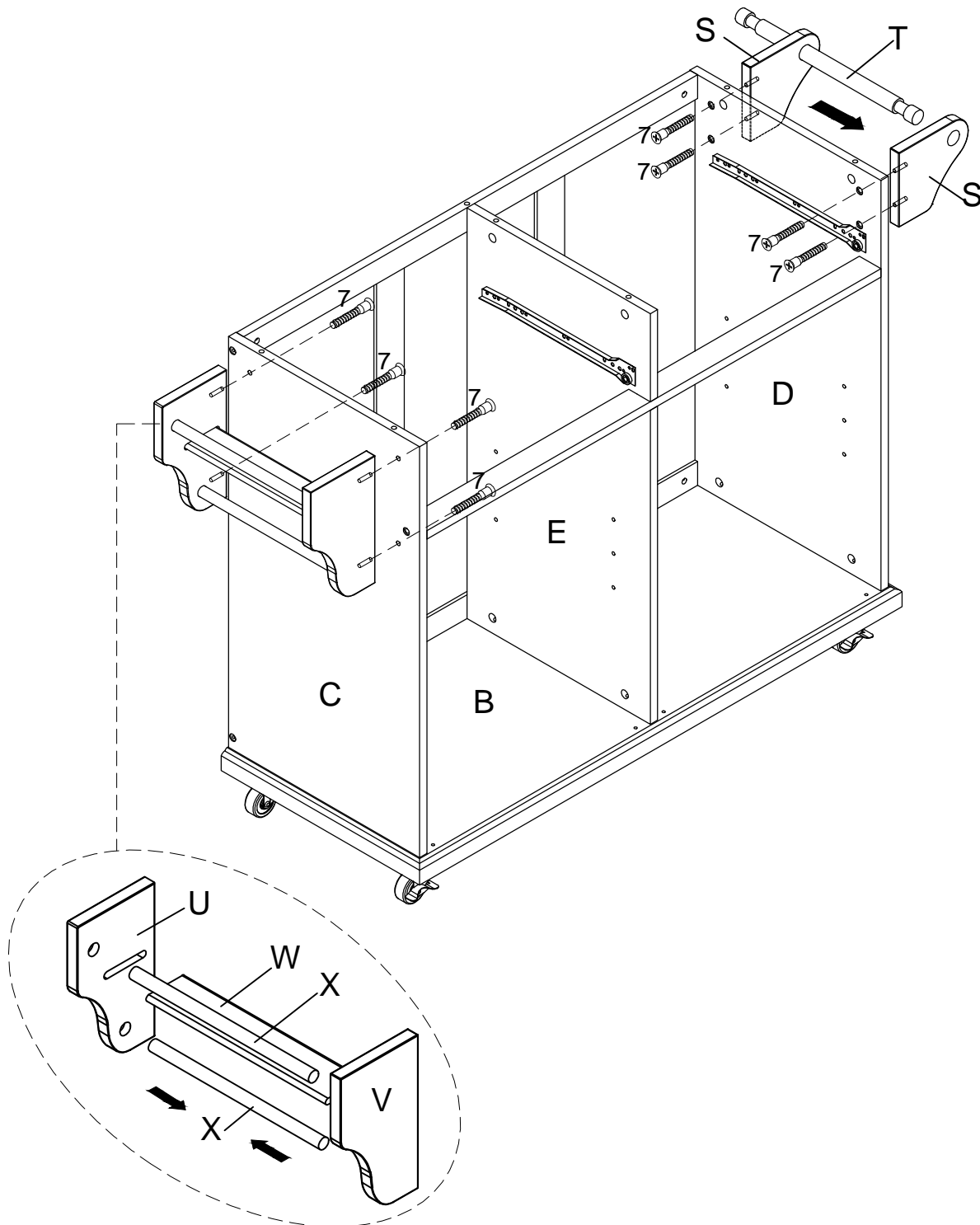
- a) Fit Front Center Rail (G) to Middle Panel (E) by mating the crossed edge half lap on (G) to (E).
- b) Insert Barrel Nut (4) into designated hole on bottom side of (G).
- c) Insert Screw (8) through the designated hole on (C & D) to screw into barrel nut. Do not tighten (8) until both screws are threaded into the barrel nut.



ASSEMBLY INSTRUCTIONS
GEORGIA KITCHEN CART ITEM# 63000

STEP 14

- a) Use Screw (7) to fasten Towel Rack Support (S) to Right Panel (D). Do not tighten (7) until both screws are in place on (S). Next, insert Towel Rod (T) to fit on the Towel Rack Support.
- b) Use Screw (7) to loosely fasten Spice Rack Left & Right Support (U & V) to Left Panel (C). Next, fit Spice Rack Bottom Panel (W) and Bar (X) between (U & V) and tighten Screw (7).

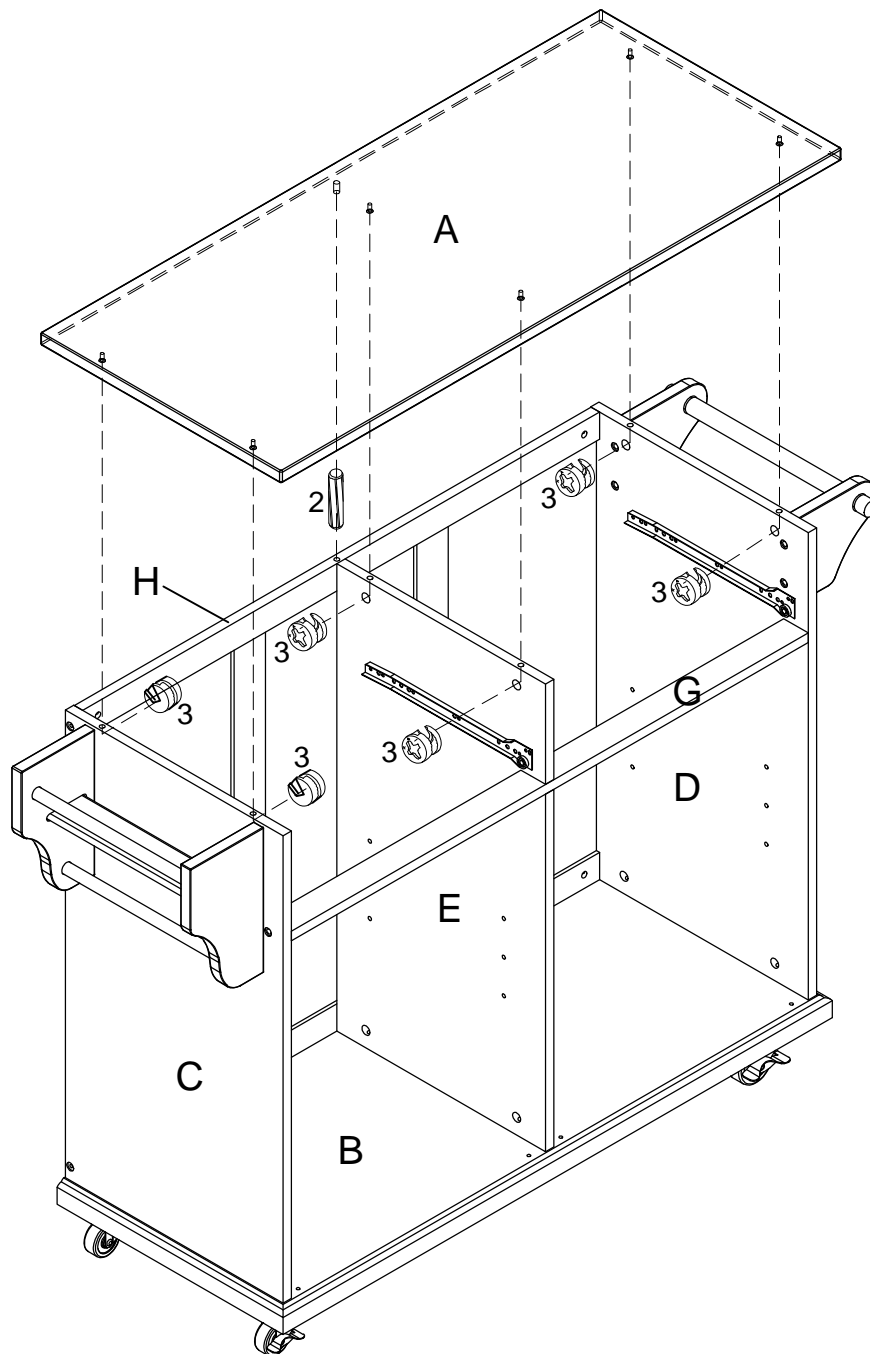


⑦  8PCS

ASSEMBLY INSTRUCTIONS
GEORGIA KITCHEN CART ITEM# 63000

STEP 15

- a) Insert Wood Dowel (2) into designated holes on top edge of Back Top Rail (H).
- b) With assistance, attach Top Panel (A) from STEP 1 to Left Panel (C), Right Panel (D), Middle Panel (E) and Back Top Rail (H) via cam-bolts and wood dowels on (A) and (H), respectively.
- c) Insert Cam-lock (3) into designated holes on (C, D & E) and turn clockwise to lock onto Cam-bolt to fasten (A).



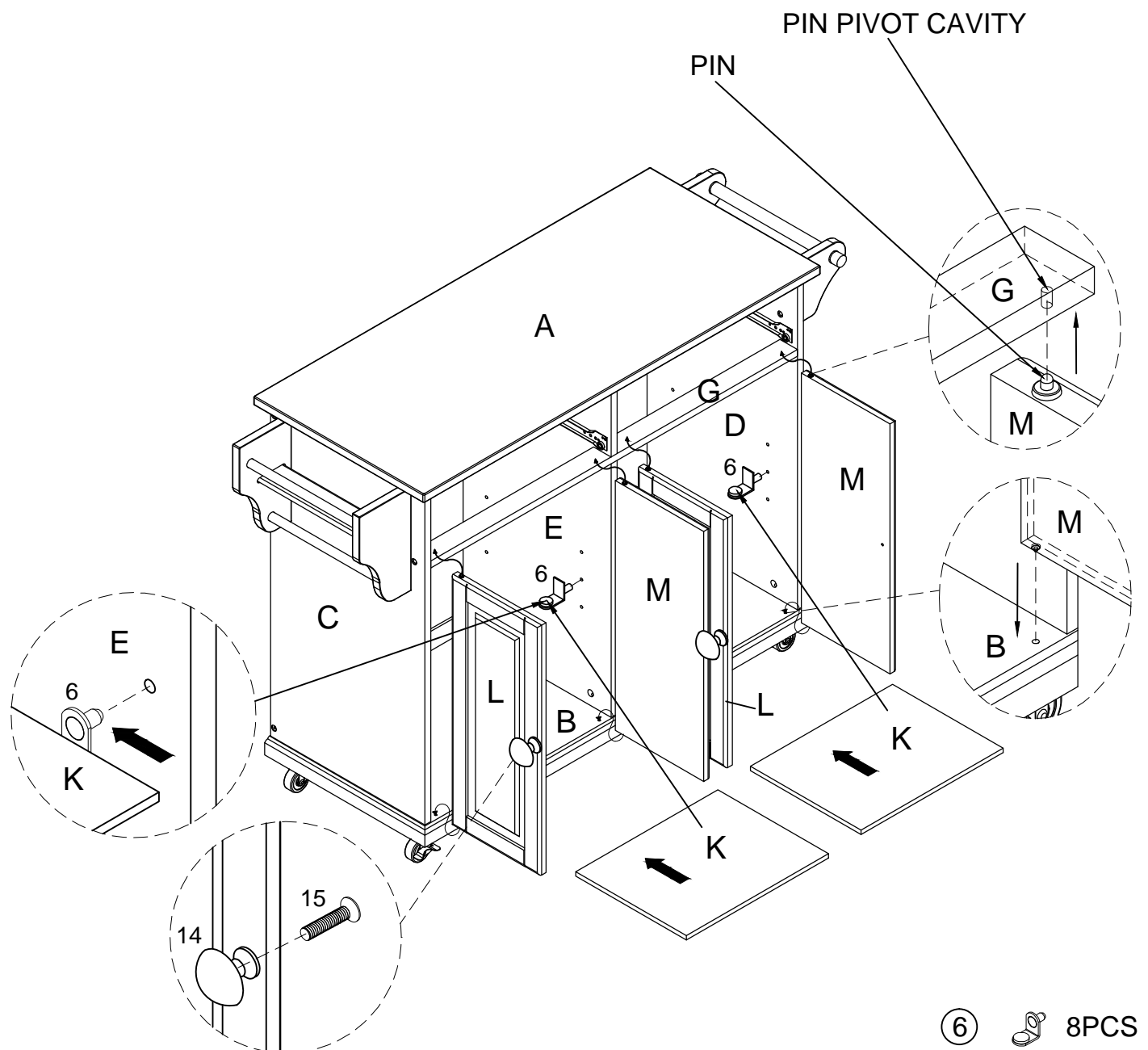
- ②  1PC
- ③  6PCS

ASSEMBLY INSTRUCTIONS

GEORGIA KITCHEN CART ITEM# 63000

STEP 16

- a) Insert Shelf Holder (6) into the designated holes on the same level at the desired height on Left and Middle Panel (C & E) and Right and Middle Panel (D & E).
- b) Place Shelf (K) by tilting it to fit between the vertical panels and then level it to sit on Shelf Holder (6).
- c) Insert Left and Right Door (L & M) by inserting the fixed Pin on bottom of door into the Pin Pivot Cavity on Bottom Panel. Next, depress the Pin on the top edge of Door and then releasing the Pin to be inserted into the Pin Pivot Cavity on the bottom side of Front Center Rail (G).
- d) Use Handle Bolt (15) to affix Handle (14) to (L & M).



⑥		8PCS
⑭		4PCS
⑮		4PCS

ASSEMBLY INSTRUCTIONS
GEORGIA KITCHEN CART ITEM# 63000

STEP 17

Insert the drawers.

To insert drawer:

- a) Align and position rollers on the Drawer Runner (that is fastened to the drawer) above the rollers on the Drawer Tracks (located on the Left, Right and Middle Panel).
- b) Lift the Back Panel end of the drawer slightly upward to position and slide the rollers on the Drawer Runner into the Drawer Tracks, and then push in the drawer squarely and gently.

The assembly of the cart is complete.

