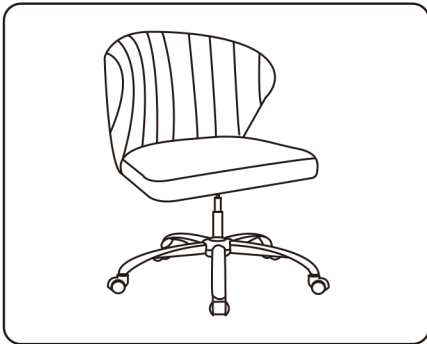


# ASSEMBLY INSTRUCTIONS

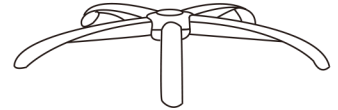


## + Parts Included

① Gas lift  
1PC



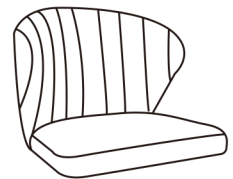
② Spider base  
1PC



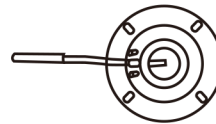
③ Casters  
5PCS



④ Seat  
1PC



⑤ Handle Lift  
1PC



⑥ Metal base cap  
1PC



+ Do Not Use  
Power Tools



+ Suggested  
Adults



### NOTE:

- 1 Read instructions cover to cover.
- 2 Save all packaging until assembly is completed.

## 1 IMPORTANT SAFETY INFORMATION

**Do not** assemble the product if any of the following parts arrived damaged:

Part ① -Gas lift                      Part ④ -Seat  
Part ② -Spider base                Part ⑤ -Handle Lift  
Part ③ -Casters                      Part ⑥ -Metal base cap

**Do not** assemble if any of the following Hardware parts are missing:

Part A -Bolt  
Part B -Wrench

## 2 IMPORTANT ASSEMBLY INFORMATION

**Assembly Step** If loosening persists, please make sure to tighten all the bolts periodically, or use a thread locker adhesive.

## + Hardware Included

A BOLT  
4PCS

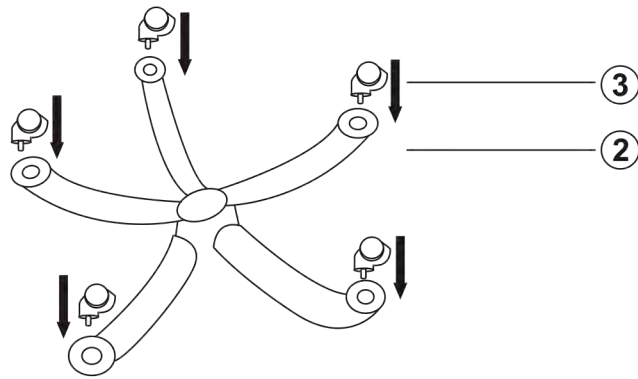


B Wrench  
1PC

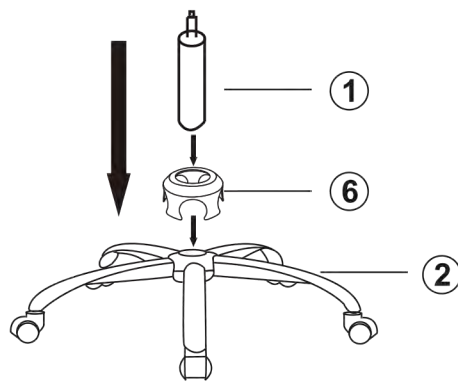


# ASSEMBLY INSTRUCTIONS

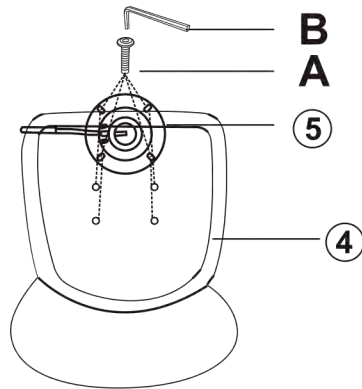
1



2



3



4

