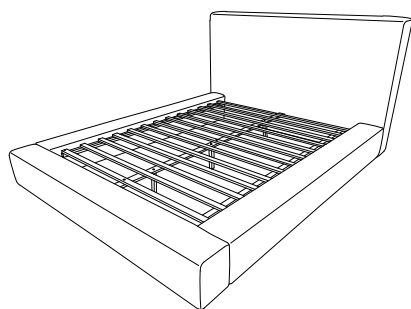


# ASSEMBLY INSTRUCTIONS

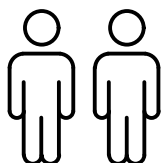
## FULL



### + Do Not Use Power Tools



### + Suggested Adults



#### NOTE:

- 1 Read instructions cover to cover.
- 2 Save all packaging until assembly is completed.

### 1 IMPORTANT SAFETY INFORMATION

**Do not** assemble the product if any of the following parts arrived damaged:

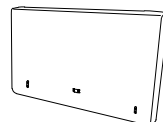
1. Headboard Panel
2. Footboard Panel
3. Side Rail
4. Slats(13pcs)
5. Slat Support
6. Support Leg

### 2 IMPORTANT ASSEMBLY INFORMATION

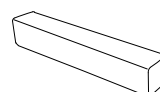
**Assembly Step** Ensure the side rail bracket is fully hooked onto bolt loosely threaded with both washers on the OUTSIDE of the bracket first, then proceed to fully tightening all 4 corners.

### + Parts Included

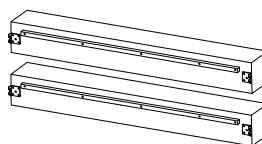
① Headboard Panel  
(1 pc)



② Footboard Panel  
(1 pc)



③ Side Rail  
(2 pcs)



④ Slats(13pcs)  
(1 pc)



⑤ Slat Support  
(1 pc)



⑥ Support Leg  
(3 pcs)



### + Hardware Included

A. Allen Key M4  
(1 pc)



B. Allen Key M5  
(1 pc)



C. JCBB Bolt  
M8 x 16mm  
(8 pcs)



D. JCBC Bolt  
M6 x 35mm  
(6 pcs)



E. CBS Screw  
M4 x 16mm  
(4 pcs)



F. CBS Screw  
M4 x 32mm  
(6 pcs)



# ASSEMBLY INSTRUCTIONS

## FULL

