

**⚠ WARNING:**

**CHOKING HAZARD-Smallparts**  
Not for children under 3 yrs

**⚠ WARNING:**

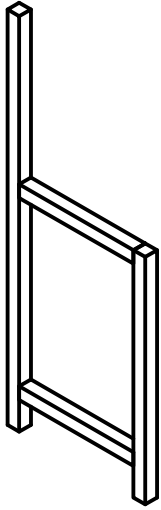
Adult assembly required, Product includes small parts with potentially hazardous sharp points and sharp edges in the unassembled state. Keep unassembled parts away from children.

# INSTRUCTION MANUAL

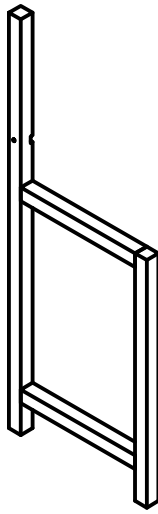
Kids Muddy Play Kitchen

1. Toy must be assembled by an adult before use exactly in accordance with the instructions.
2. Children must not use this product until properly installed.
3. Check all parts are present before you start to assemble the product. Place small parts on a tray or similar to ensure they are not lost. The manufacturing process can very occasionally result in sharp edges/waste material so please take care when assembling this product.
4. If any parts are missing do not use the product until the replacement parts are fitted.
5. Ensure your product is sited on level ground. Failure to do this may put additional stress on connections and joints and in time could cause them to fail.
6. Ensure your product is located on a soft impact surface like grass. Never locate your product on hard surfaces like concrete.
7. Avoid locating this product in full sun.
8. Remove all packaging before giving to your children.
9. Equipment should be checked by an adult at the beginning of each season and at regular intervals during the usage season to ensure it is safe. Pay special attention to all connections and fastenings.
10. Parts may need to be replaced if they show signs of wear and tear. Replace any defective parts in accordance with these instructions.
11. Due to the natural characteristics of timber, it is vital to check your playframe regularly for splintering, lifting of surface layers of wood or exposure of rough wood. Affected areas must be rubbed down using coarse sandpaper to restore a smooth, safe surface.
12. Any changes to this toy eg changing or adding an accessory, must be done in accordance with our instructions. Failure to do this will render your guarantee null and void and may make your product unsafe.
13. Ensure children's clothing is appropriate for the play activity.
14. Never place toys near a fire.
15. In high winds, ensure outdoor toys are moved to a sheltered position and/or securely staked down.
16. The age recommendation for this product is clearly stated on the packaging and in these instructions. Please adhere to it at all times. Adult supervision is required at all times to ensure children play safely.
17. When you dispose of this equipment please do so responsibly.

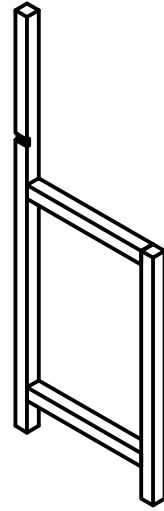
① 915MM X1



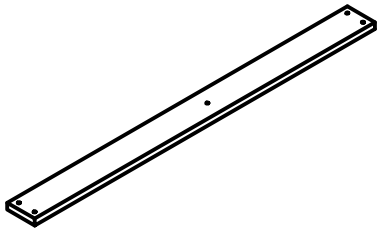
② 915MM X1



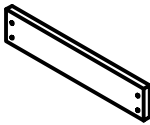
③ 915MM X1



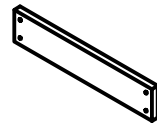
④ 865MM X4



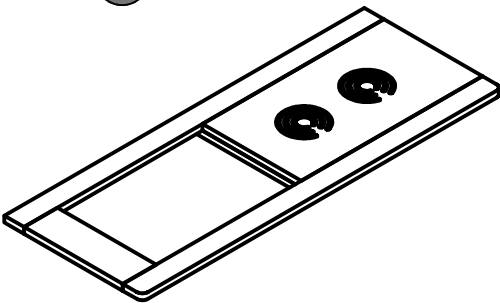
⑤ 350MM X1



⑥ 350MM X8



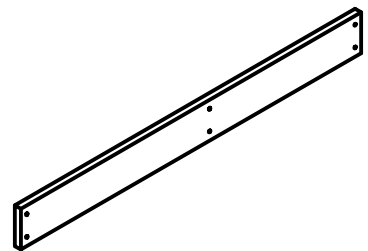
⑦ 915MM X1



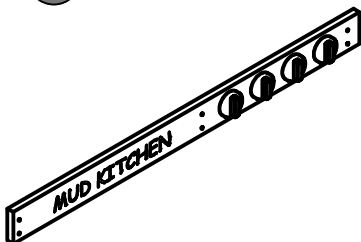
⑧ 357MM X1



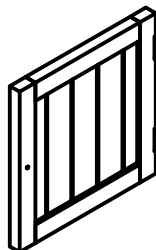
⑨ 865MM X1



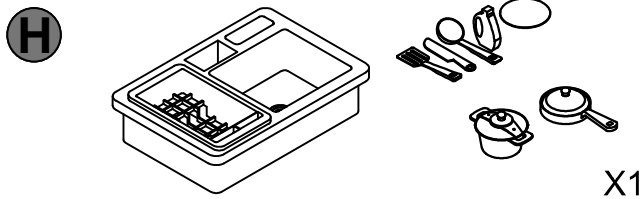
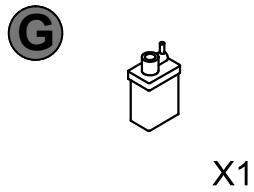
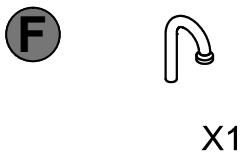
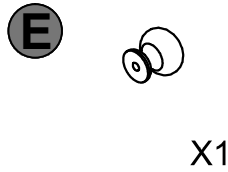
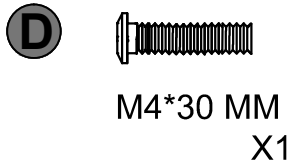
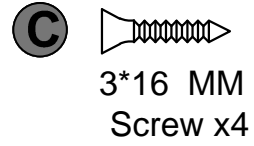
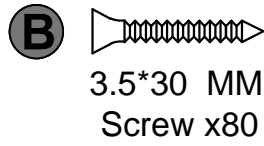
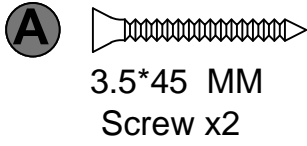
⑩ 880MM X1



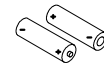
⑪ 353MM X1



## Screws

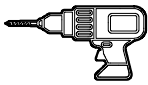


Battery



Not Included

### TOOLS RECOMMENDED



POWERDRILL



TAPE MEASURE



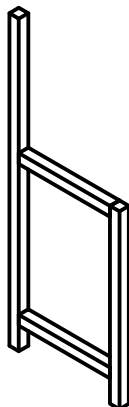
2 PERSON  
ASSEMBLY



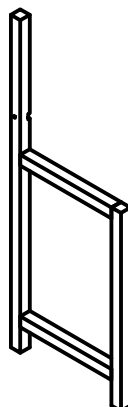
30Minutes  
BUILD TIME

**1**

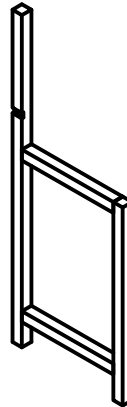
**1** 915MM X1



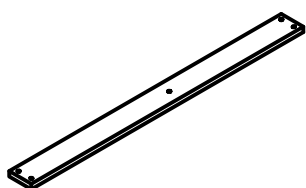
**2** 915MM X1



**3** 915MM X1



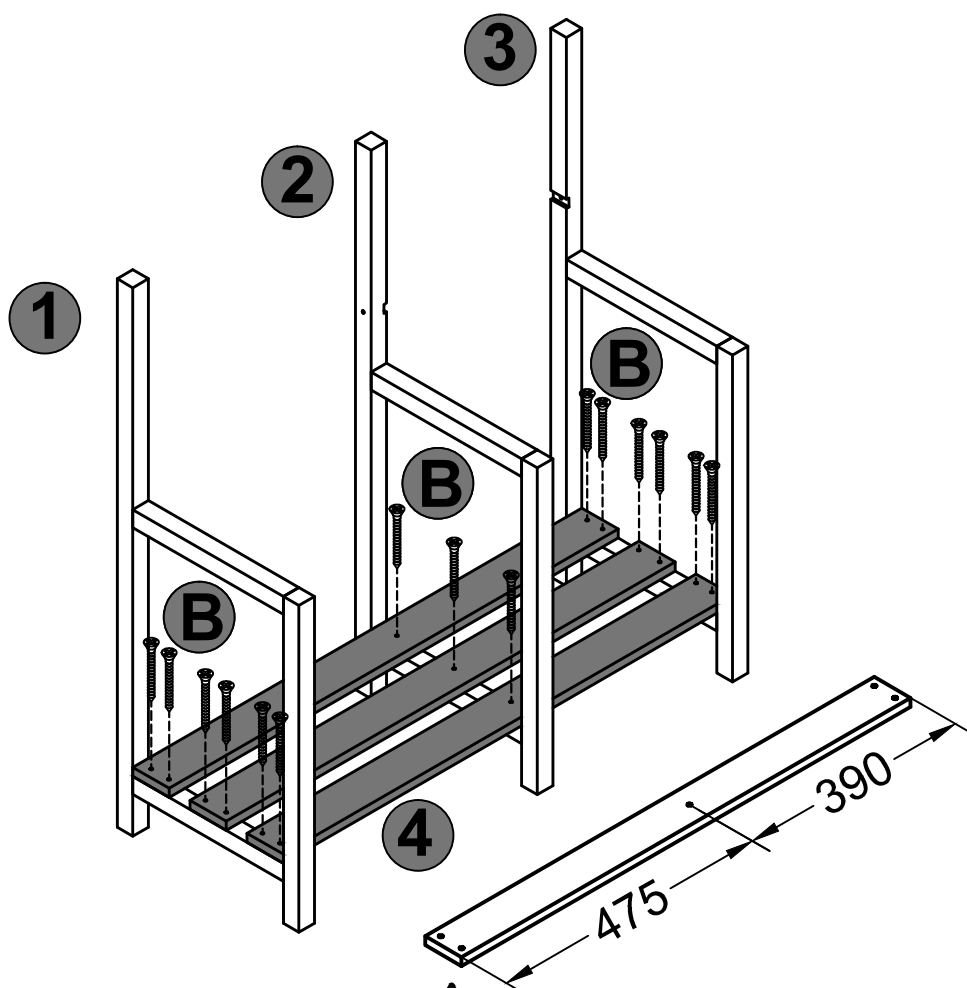
**4** 865MM X3



**B**



3.5\*30 MM  
Screw x15

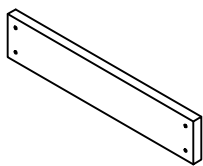


**!** Make sure part **4** in the right direction

**5**

2

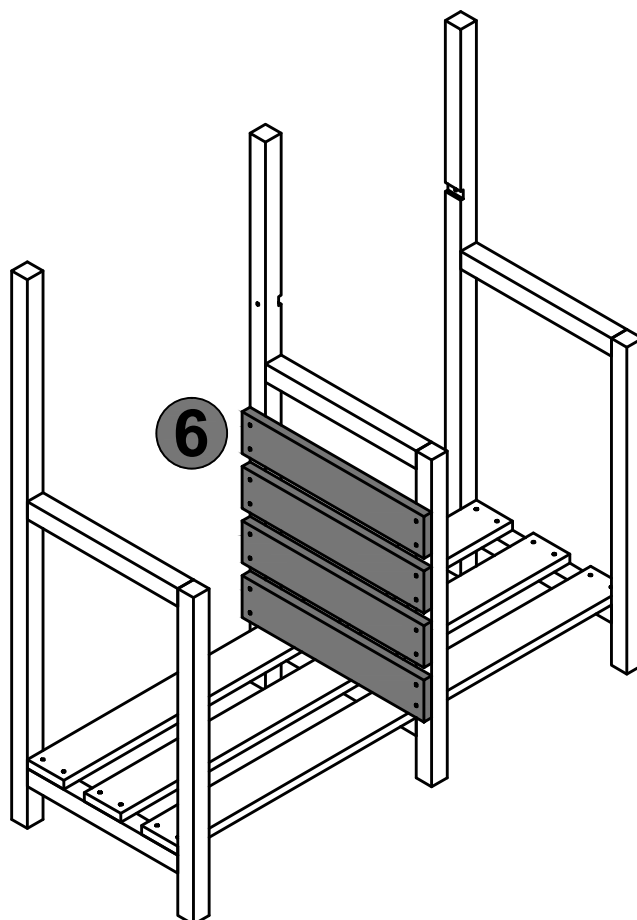
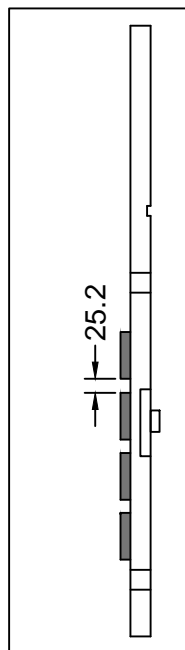
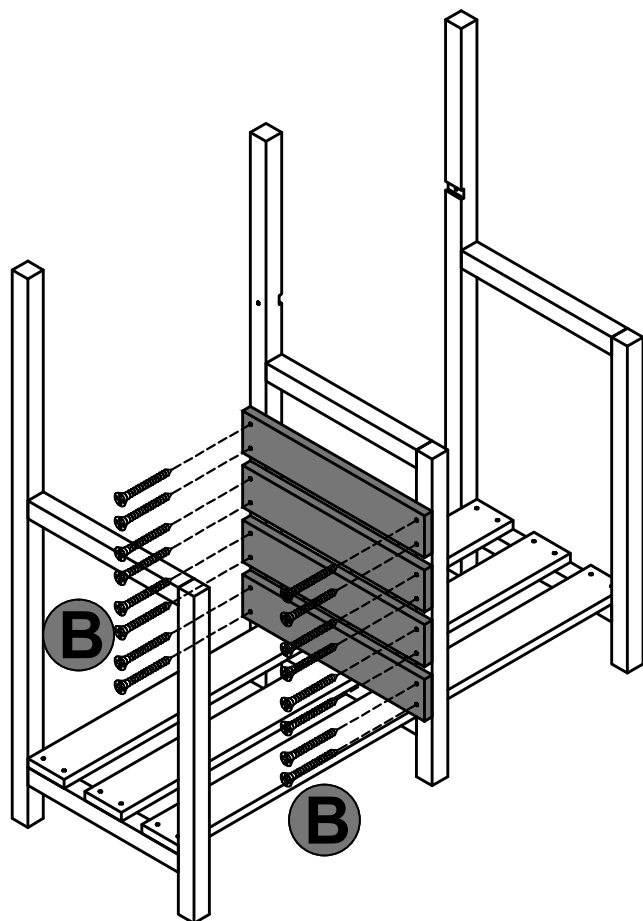
6 350MM X4



B



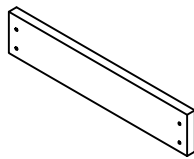
3.5\*30 MM  
Screw x16



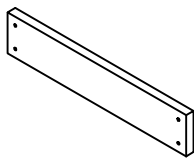
6


**3**

**5** 350MM X1

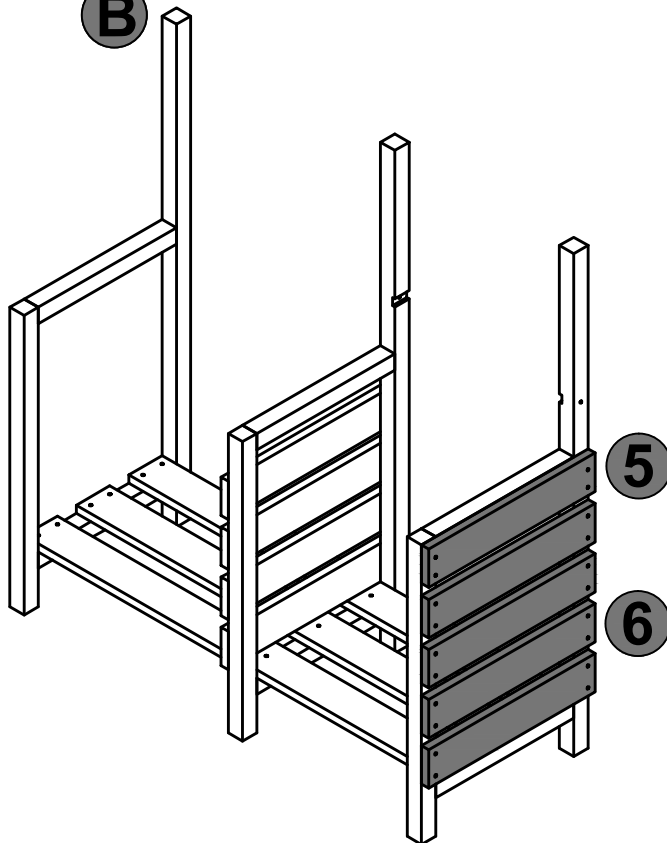
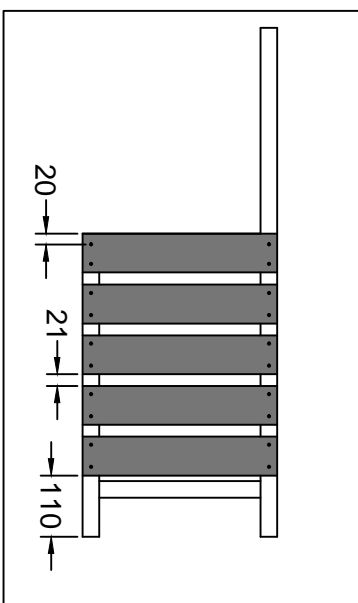
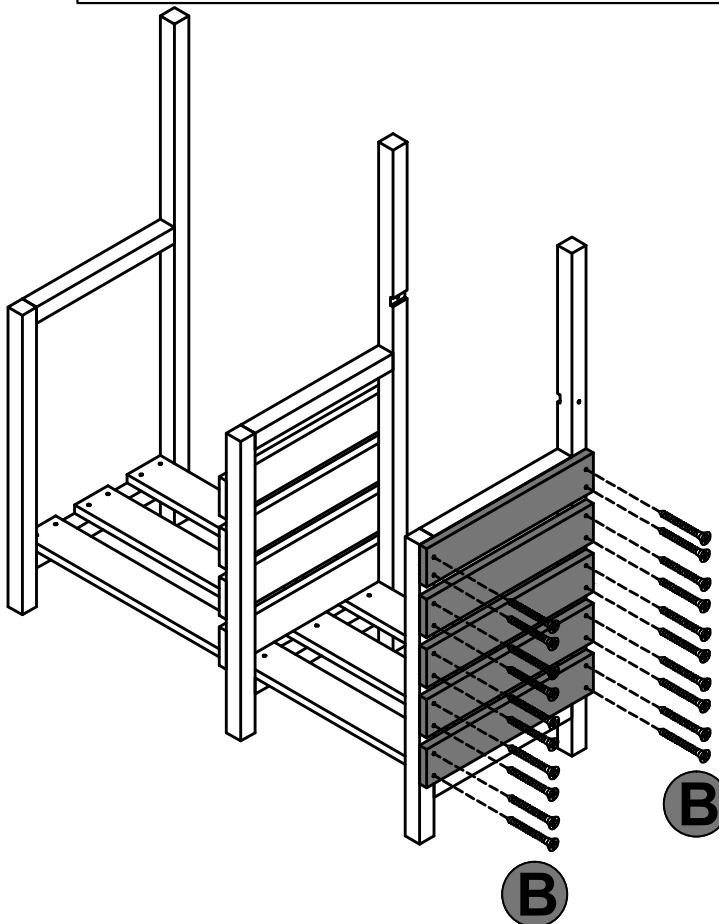


**6** 350MM X4



**B** 


3.5\*30 MM  
Screw x20

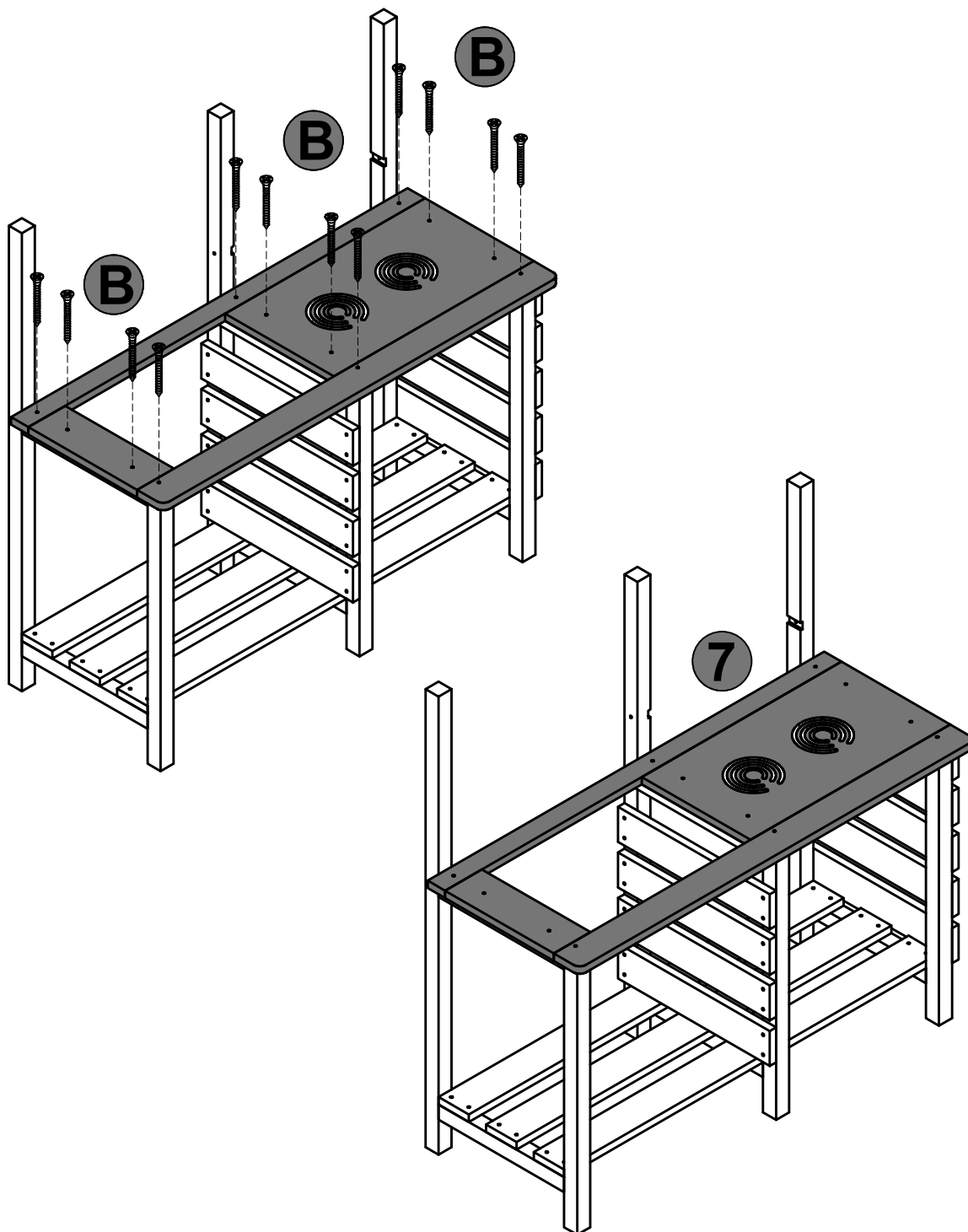
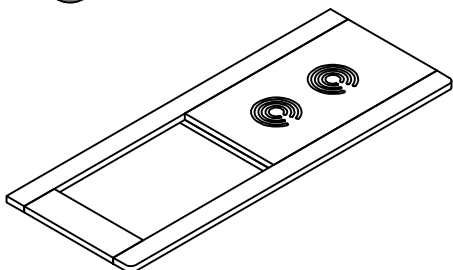


**7**

4

7 915MM X1

B   
3.5\*30 MM  
Screw x12



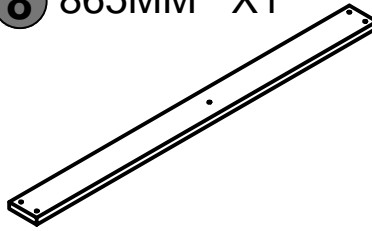
8

5

④ 357MM X1

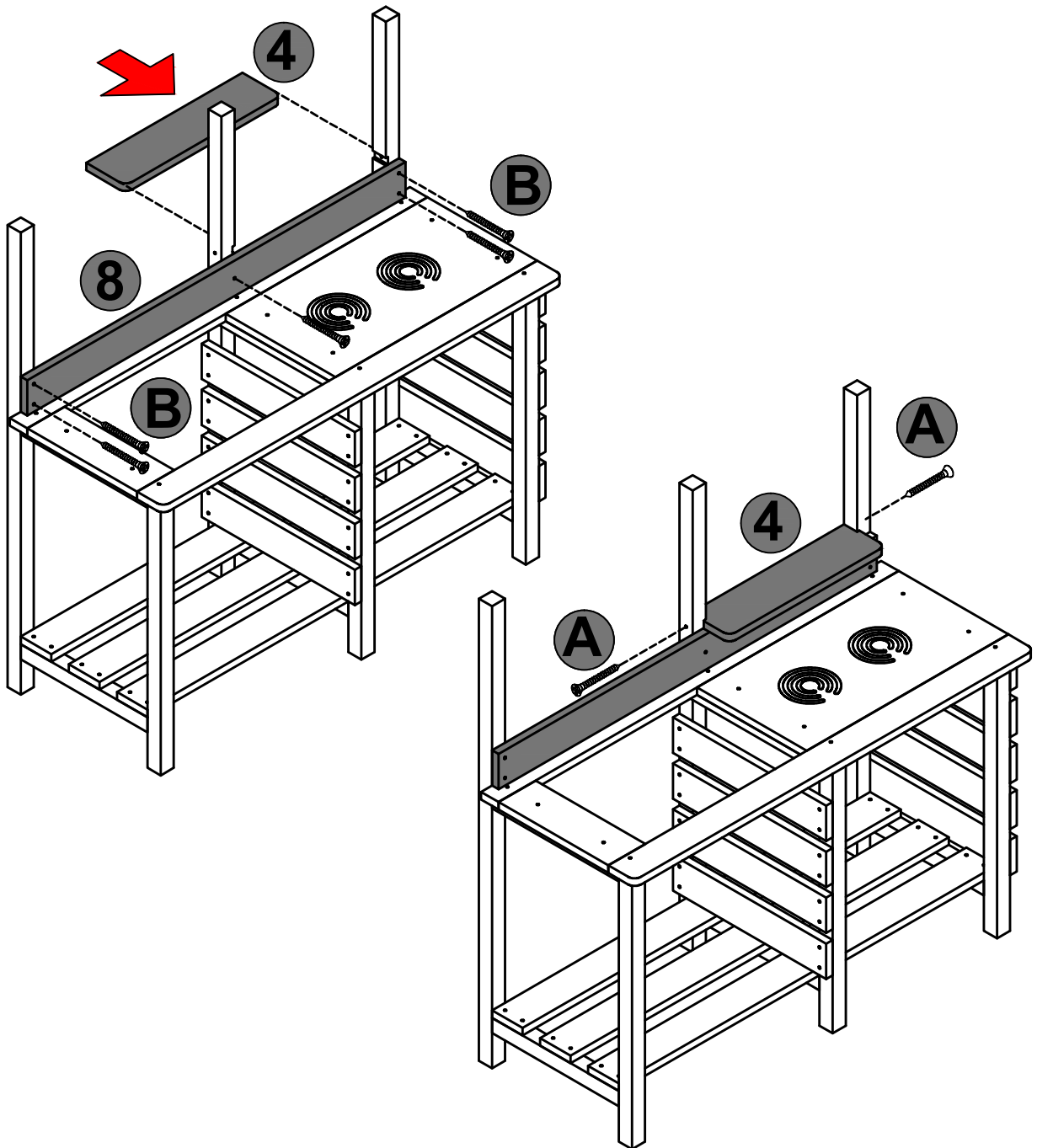


⑧ 865MM X1



Ⓐ 3.5\*45 MM  
Screw x2


Ⓑ 3.5\*30 MM  
Screw x5

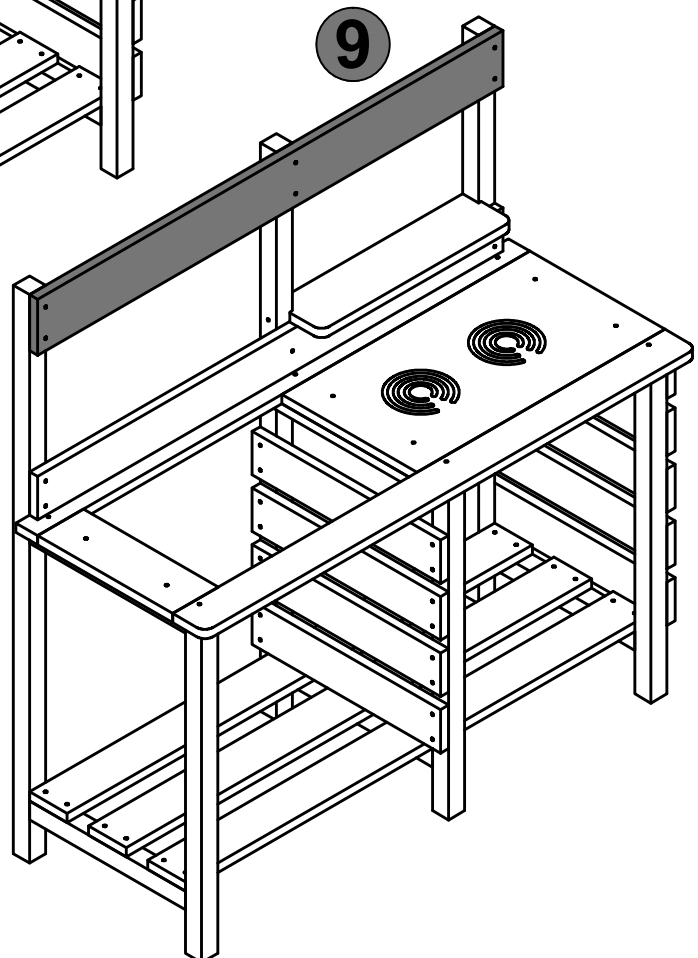
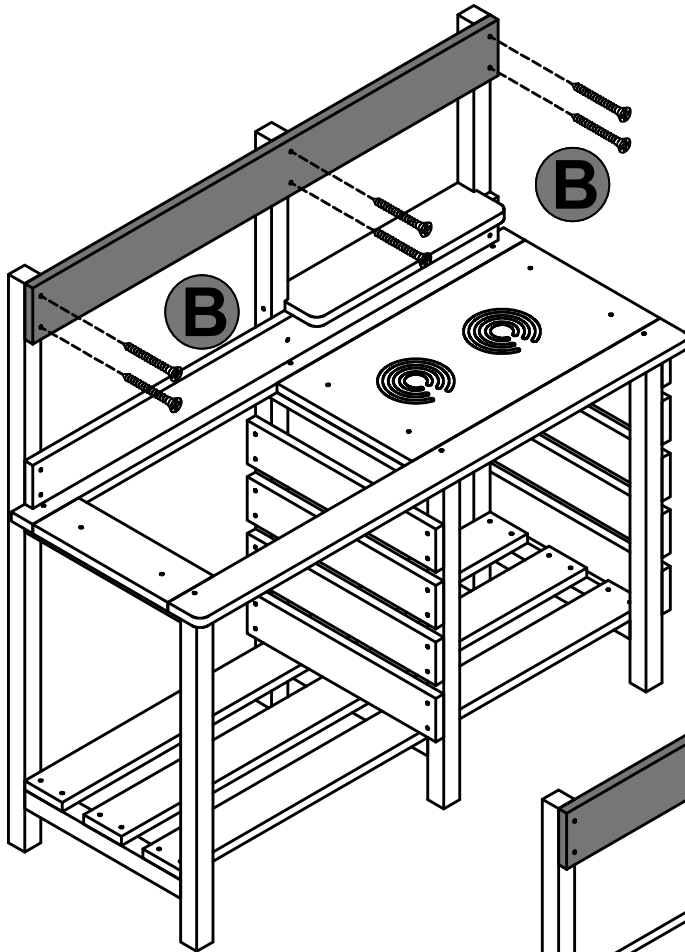
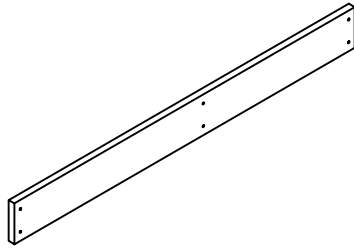


9

6

9 865MM X1


B   
3.5\*30 MM  
Screw x6

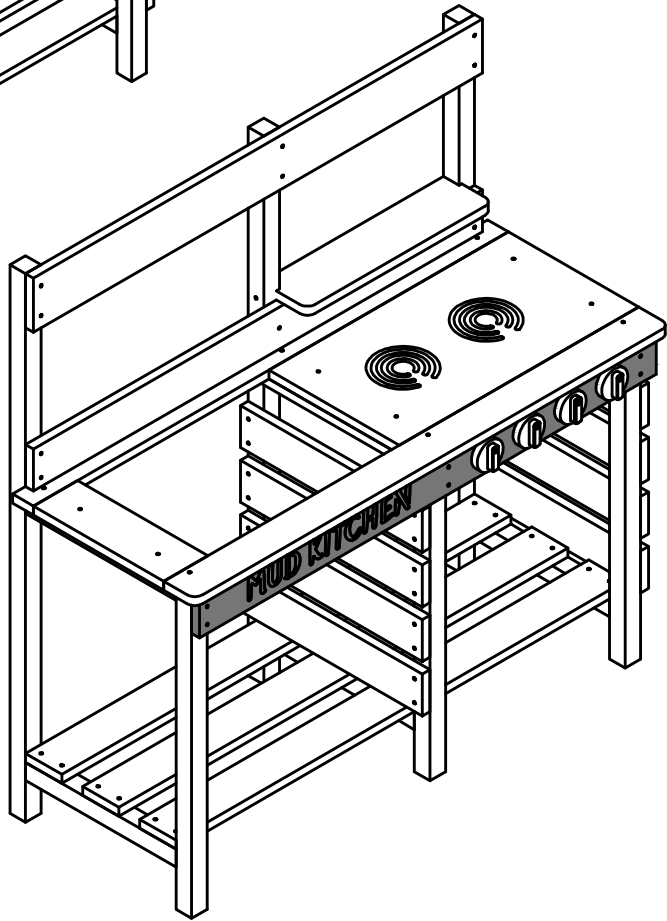
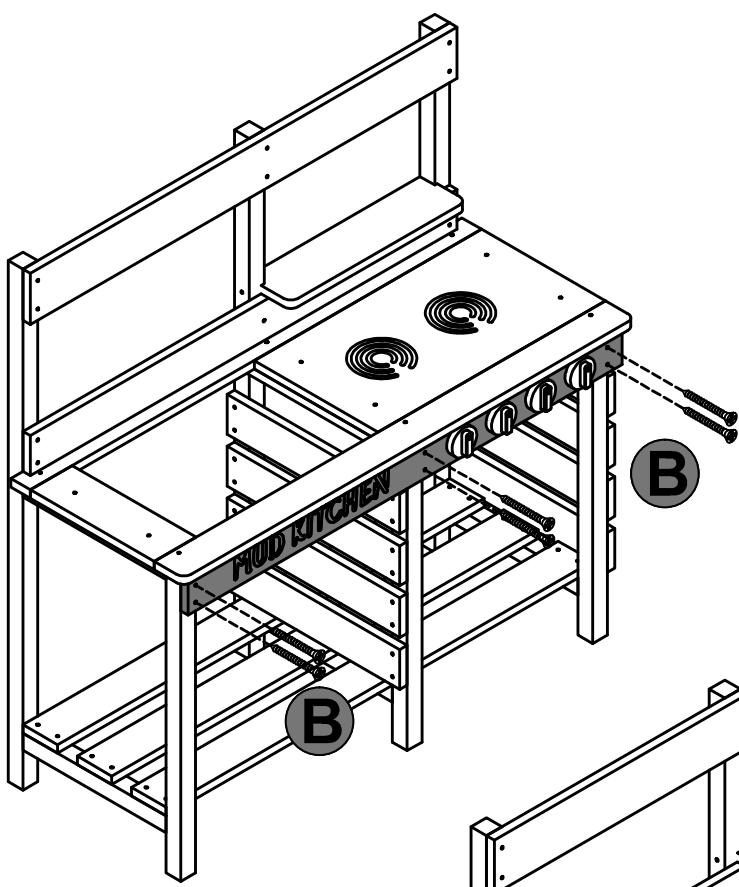
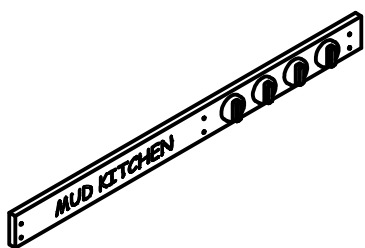


10

7

10 880MM X1

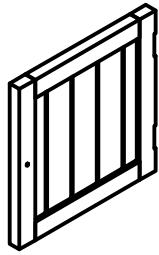
B   
3.5\*30 MM  
Screw x6



11

8

11 353MM X1



C



3\*16 MM  
Screw x4

E

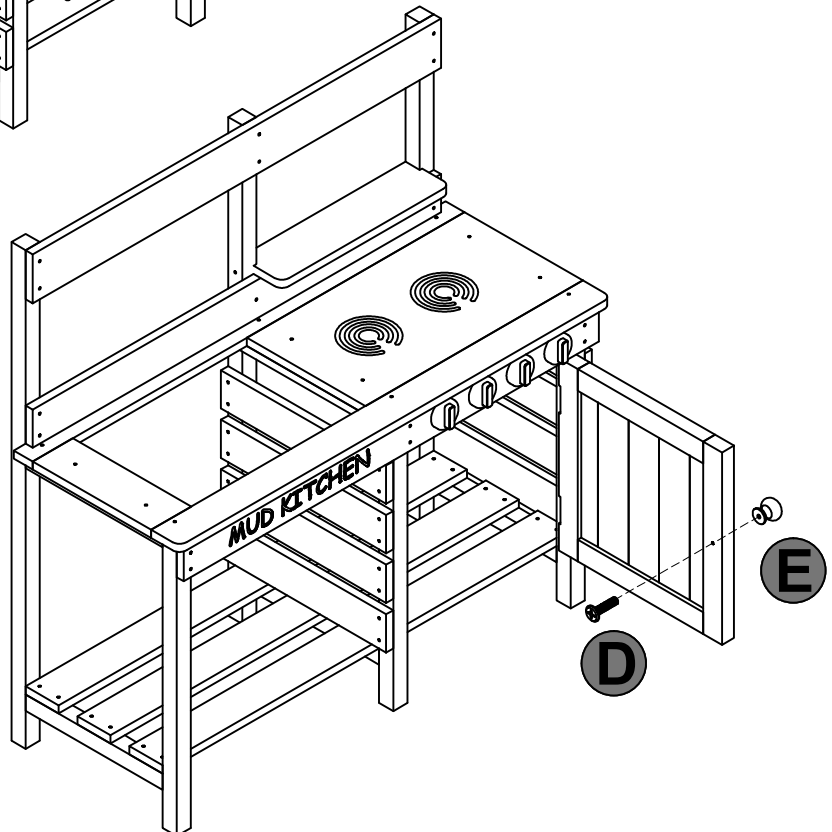
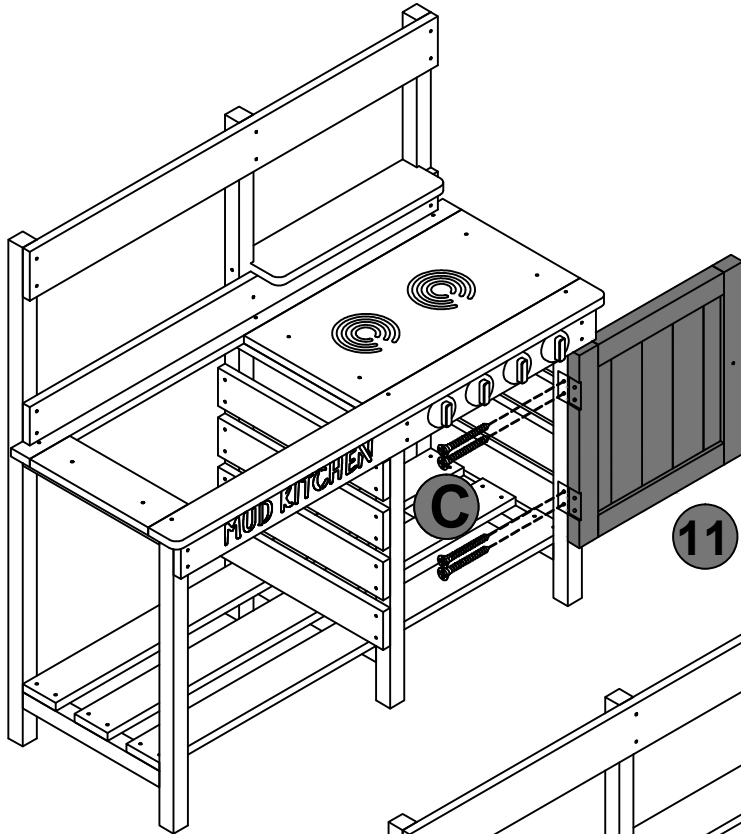


X1

D



M4\*30 MM  
X1



12

9

F



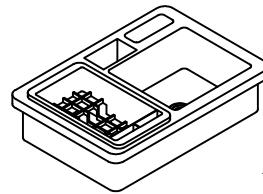
X1

G



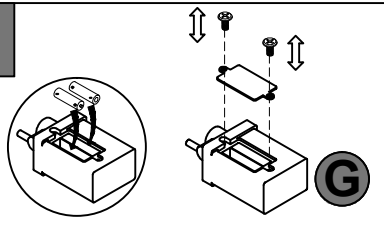
X1

H



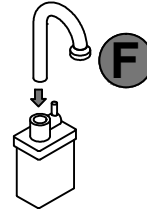
X1

1



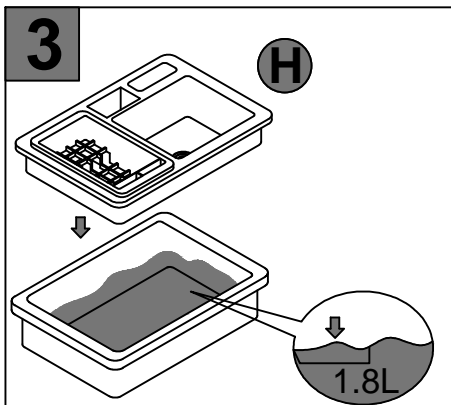
1. Open the water pump assembly battery door, insert two AA five batteries into the battery box, and then lock the battery door

2



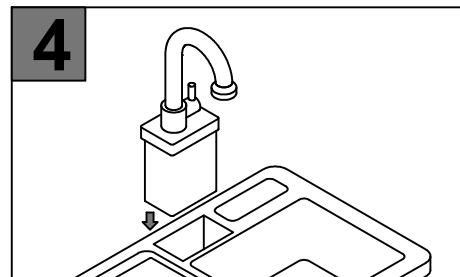
2. Insert the faucet assembly into the pump assembly and hear a "click" to indicate that it is installed.  
2 Set the switch to off

3



3. Chassis charged water (At least the minimum level of the water line at 1.8L), Then cover the top cover

4



4 Insert the faucet assembly into the basin positioning slot and hear a "click" to indicate that it is installed.

10

F



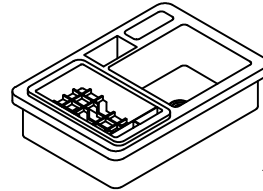
X1

G



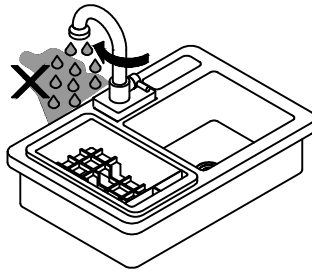
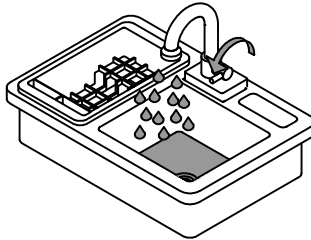
X1

H



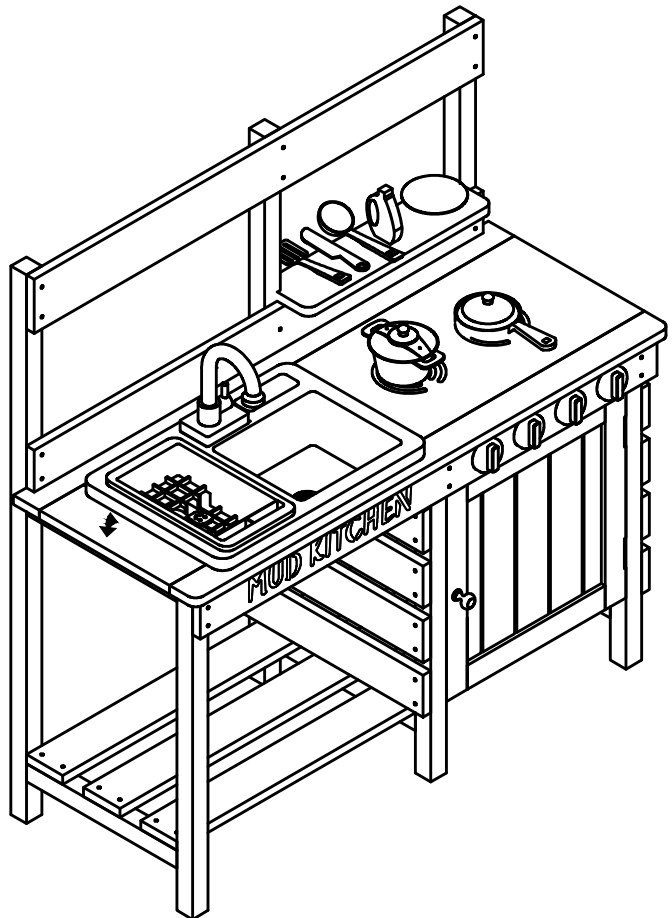
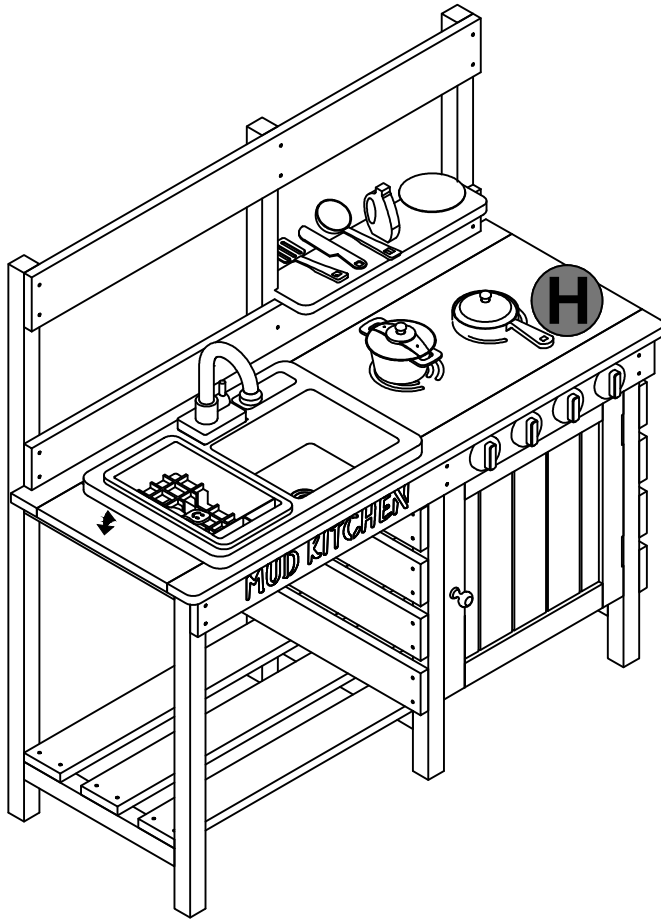
X1

5



5 Setting the switch to the open state (Trigger handle 90 degrees horizontally downward) Water will flow from the tap. (After turning on the faucet, the water starts to flow out in about 15 seconds.)

- NOTE: 1 Ensure that all water in the basin exceeds the minimum water level of 1.8L before use.
- 2 The pump assembly must be placed in the basin fixing slot to open the switch. Otherwise, the pump will not discharge air, which will result in the faucet not being able to drain water and the motor idling to burn the main unit.
- 3 Wipe the cleaned dishes with a rag and put them in the water filter basket and turn off the switch.
- 4 Insert the faucet assembly into the basin positioning slot and hear a "click" to indicate. Please keep the above information and the instruction manual for future reference.



## Safety Information



**DANGER:** Please keep children out of the assembly area during assembly.



**CAUTION:** Use the products on flat ground only.



**WARNING:** Do not stand on the product. Do not sit on the product.

## Warranty

### ONE YEAR LIMITED WARRANTY WHAT IS COVERED

We warrant the products to be free from defects in material or workmanship for a period of one year from the date of original retail purchase. The word "defect" is defined as imperfections that impair the use of the product.

Defects resulting from misuse abuse or customer negligence will void this warranty.

### DISCLAIM CONDITIONS

This warranty does not cover commercial use, hardware, acts of nature, fire, freezing and abusive use.

This warranty does not cover defects due to alteration or accidents.

This warranty does not cover scratches, scuffs or other cosmetic damages that may result from normal use of the product.

---