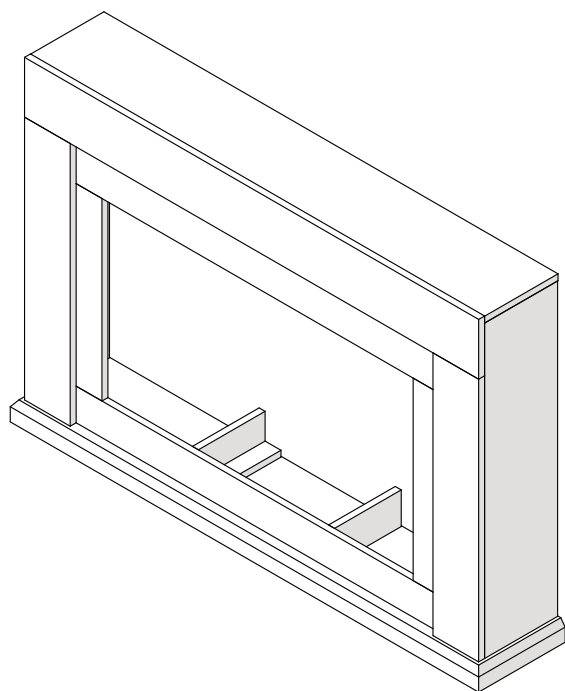
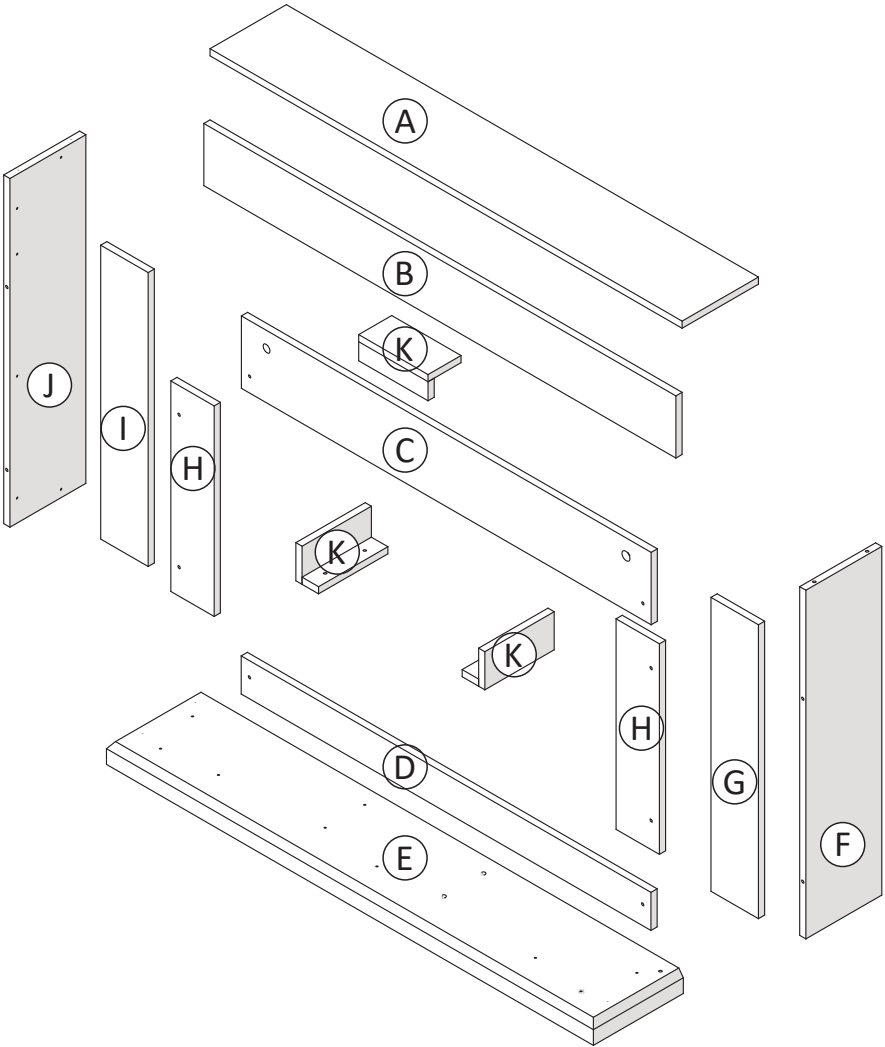


FIREPLACE MANTEL

ASSEMBLY INSTRUCTIONS



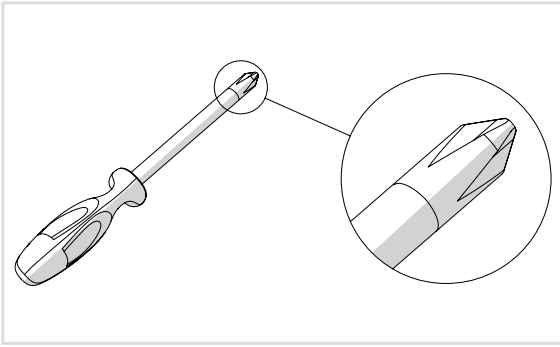
PARTS LIST


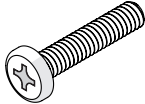
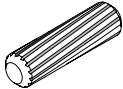
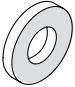
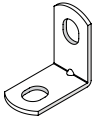
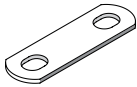



PARTS AND ACCESSORIES

Tools required:

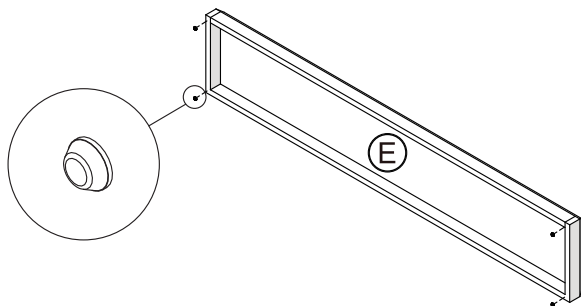
A screwdriver will be needed.



 47 x M6x12mm	 15 x M6x28mm	 13 x ø 8x30mm
 15 x	 22 x	 3 x
 6 x		

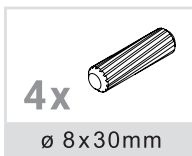
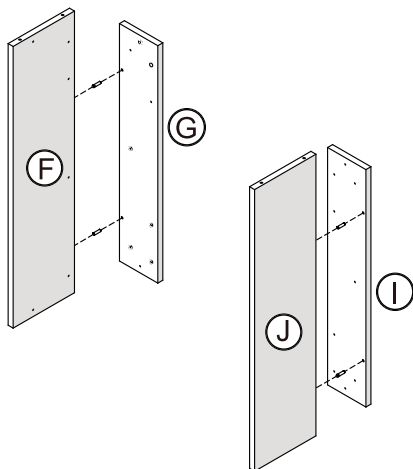
ASSEMBLY INSTRUCTIONS

01



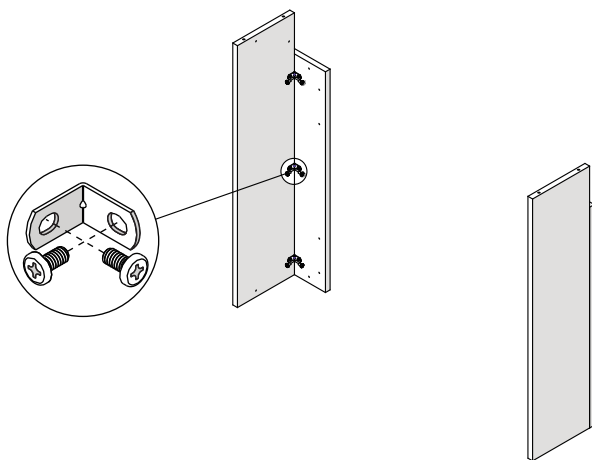
Carry out this assembly step on both sides

02



Carry out this assembly step on both sides

03



12x

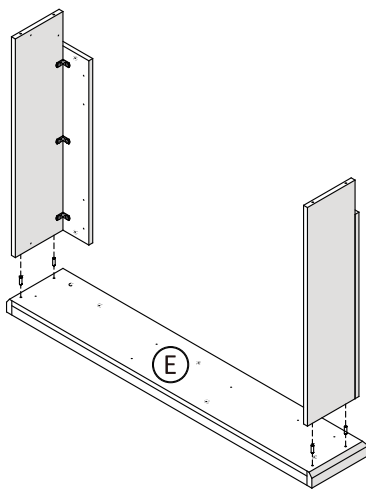
M6x12mm



6x

Carry out this assembly step on both sides

04

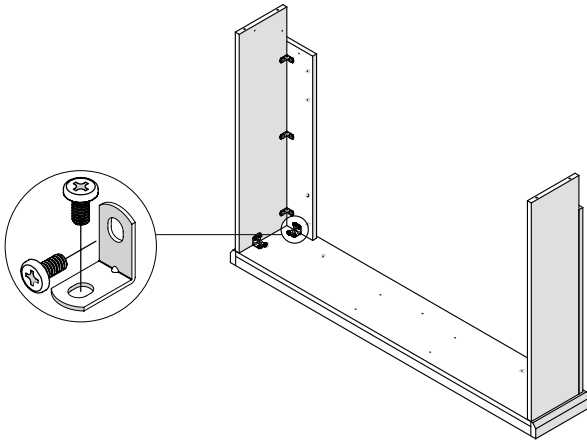


4x

ø 8x30mm

Carry out this assembly step on both sides

05



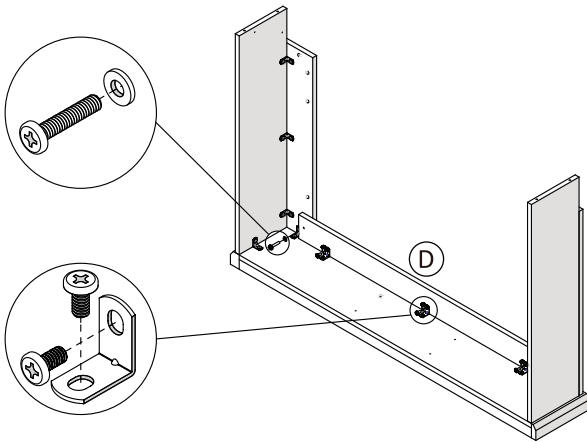
8x 

M6x12mm

4x 

Carry out this assembly step on both sides

06

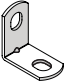


6x 

M6x12mm

2x 

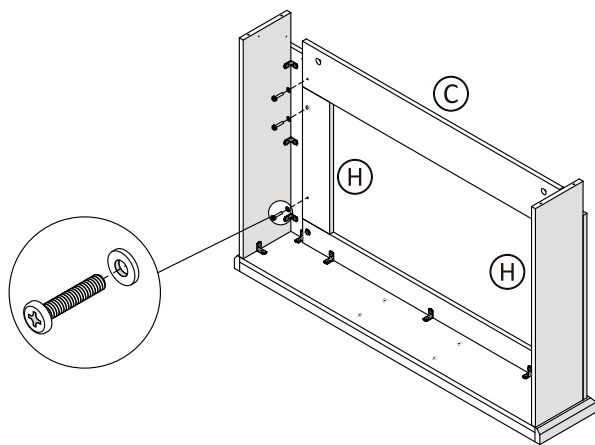
M6x28mm

3x 

2x 

Carry out this assembly step on both sides

07



6x



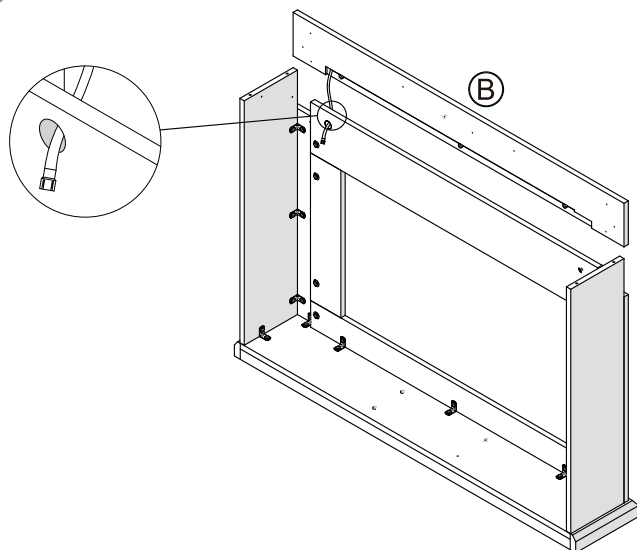
M6x28mm

6x

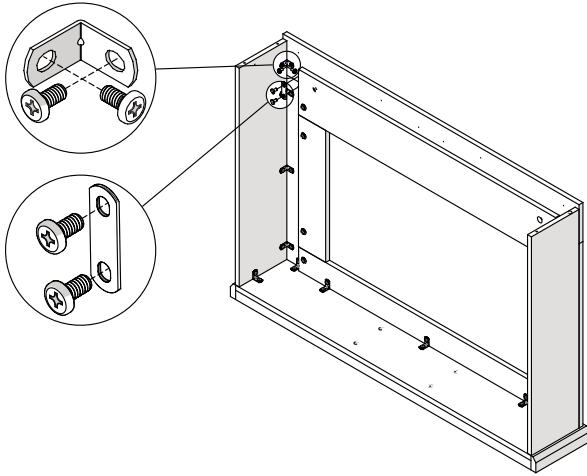


Carry out this assembly step on both sides

08

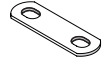


09



8x

M6x12mm



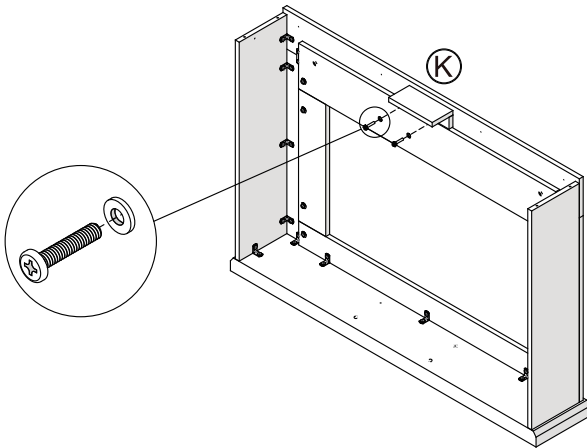
2x



2x

Carry out this assembly step on both sides

10



2x

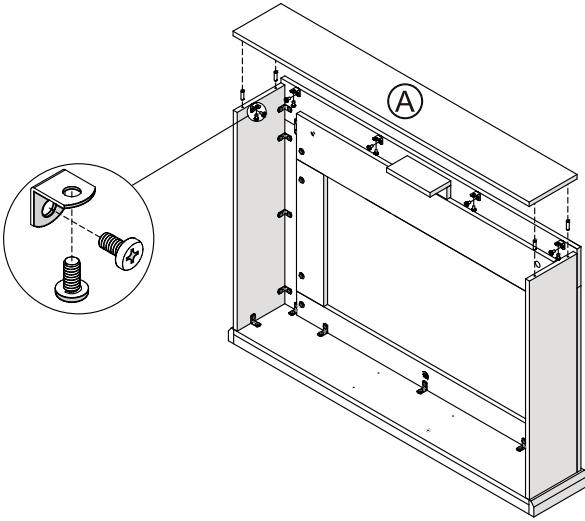
M6x28mm

2x



Carry out this assembly step on both sides

11



12x

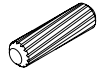


M6x12mm

6x



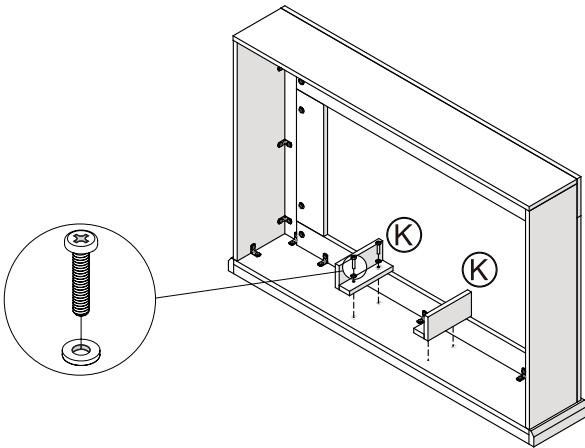
4x



∅ 8x30mm

Carry out this assembly step on both sides

12



4x



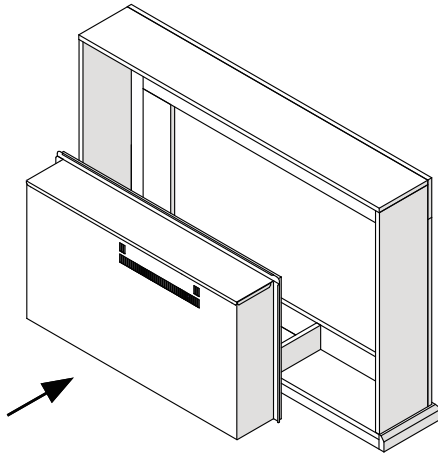
M6x28mm

4x



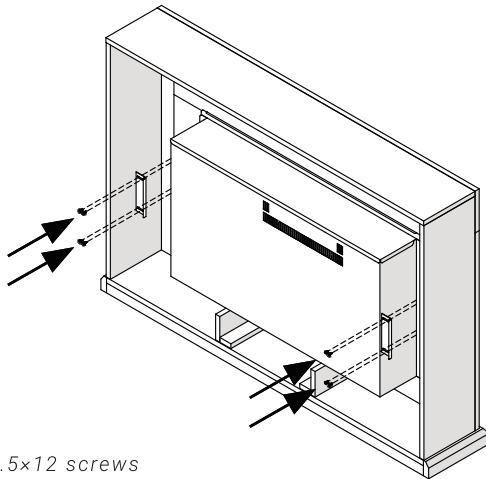
Carry out this assembly step on both sides

13



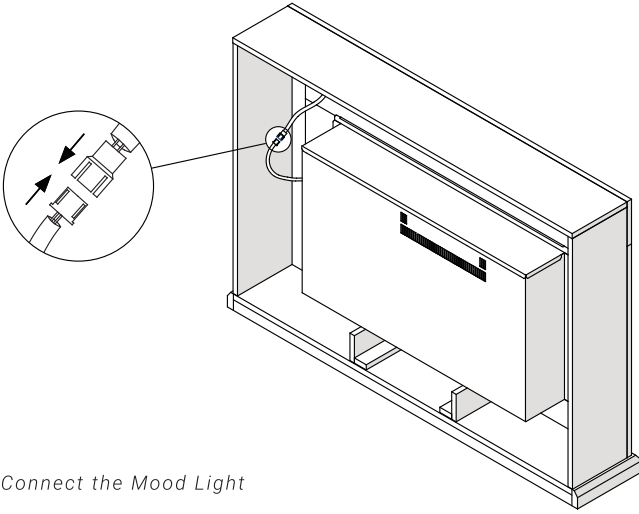
Rear side of the mantel

14



Use 8 pcs ST3.5x12 screws

15



Connect the Mood Light
