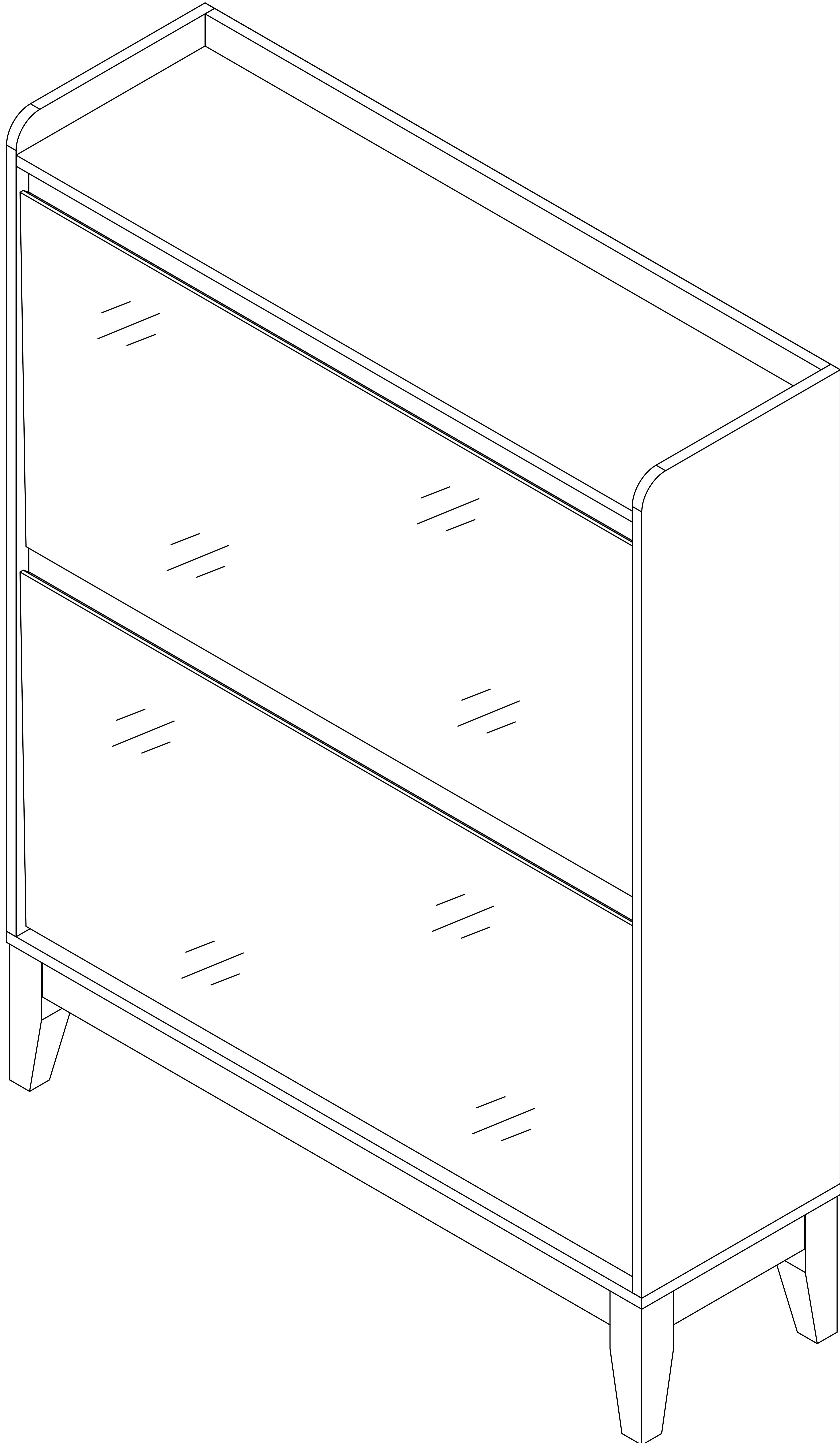
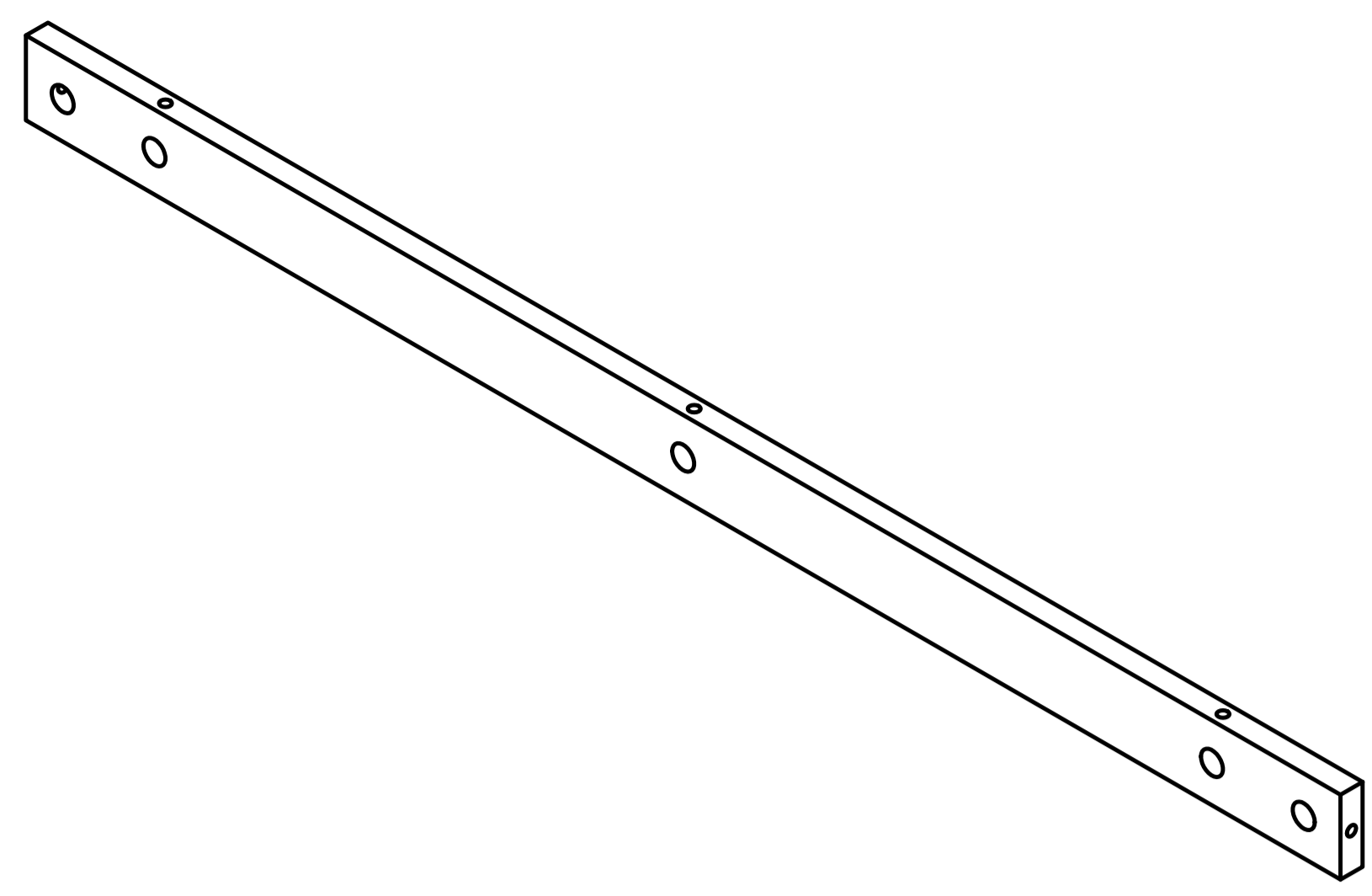
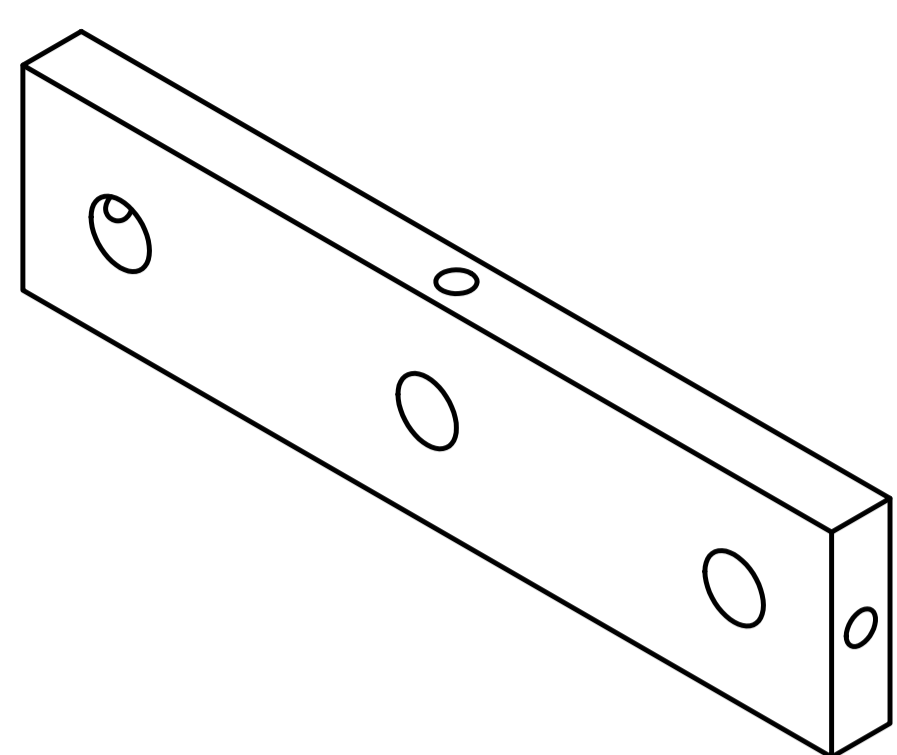


# Product Installation Instructions

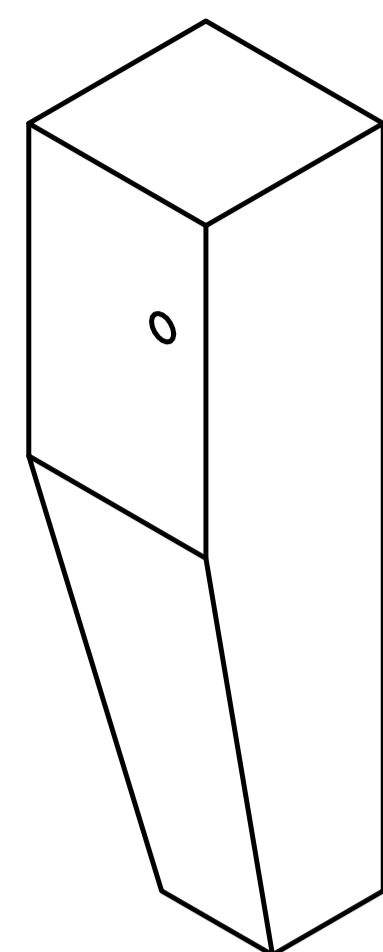




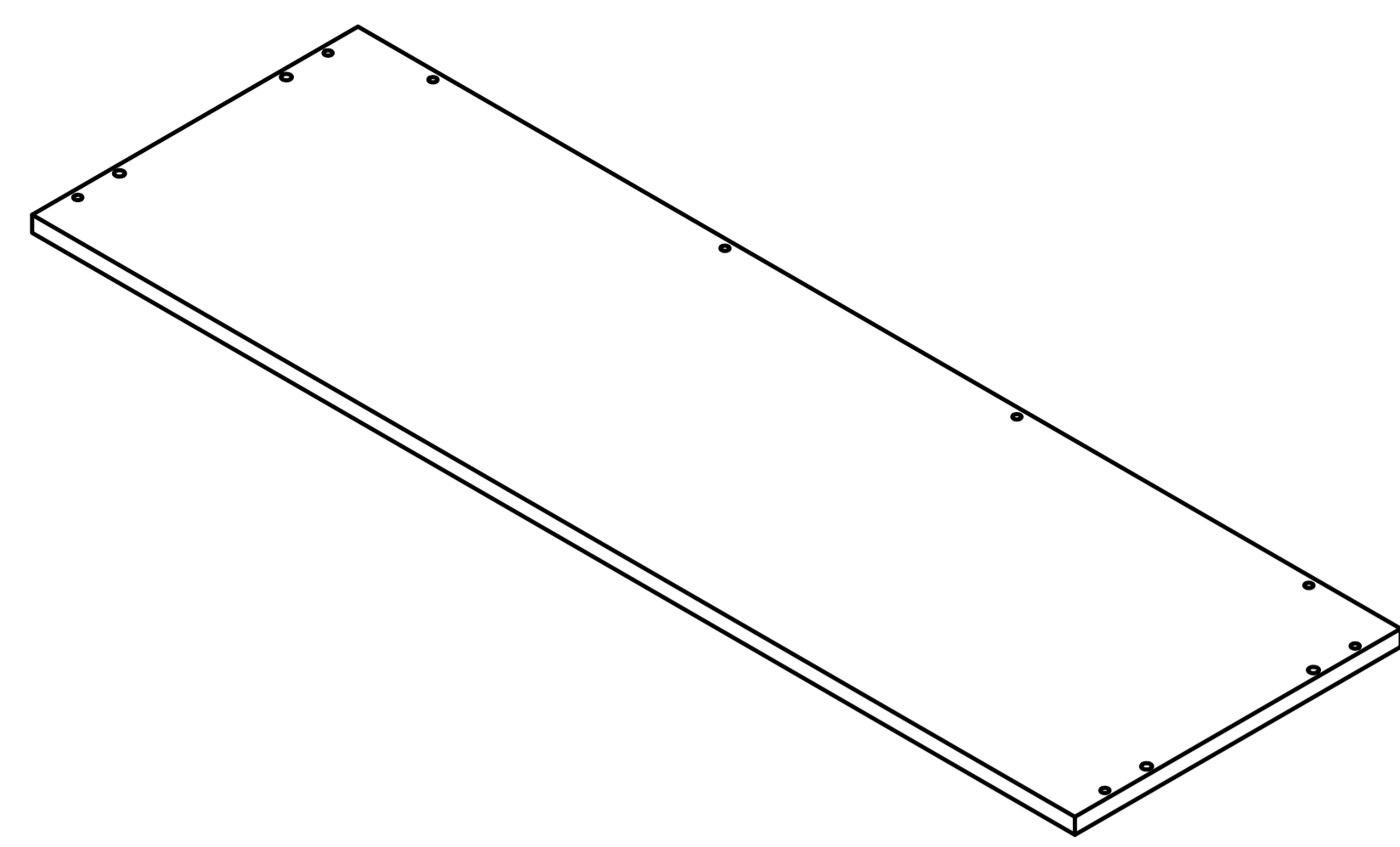
**A x2**



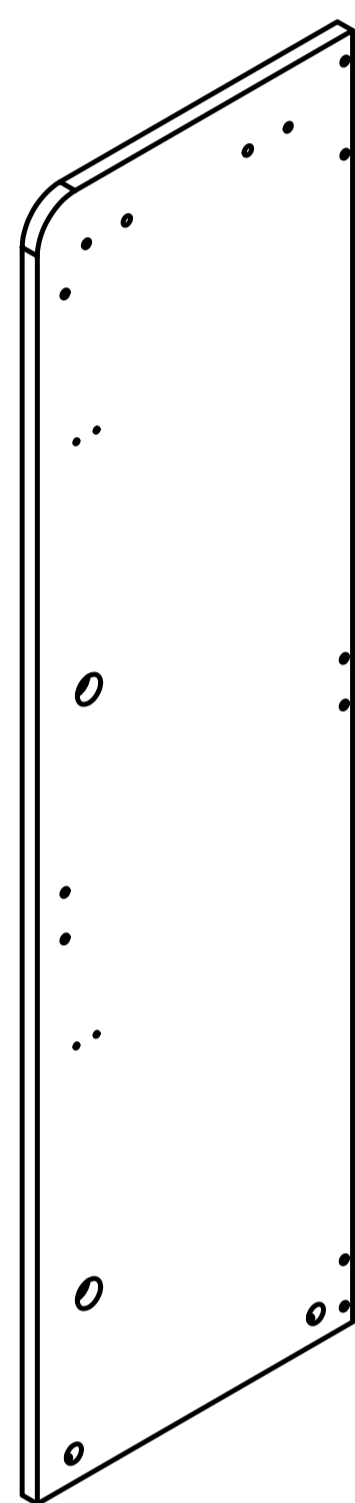
**B x2**



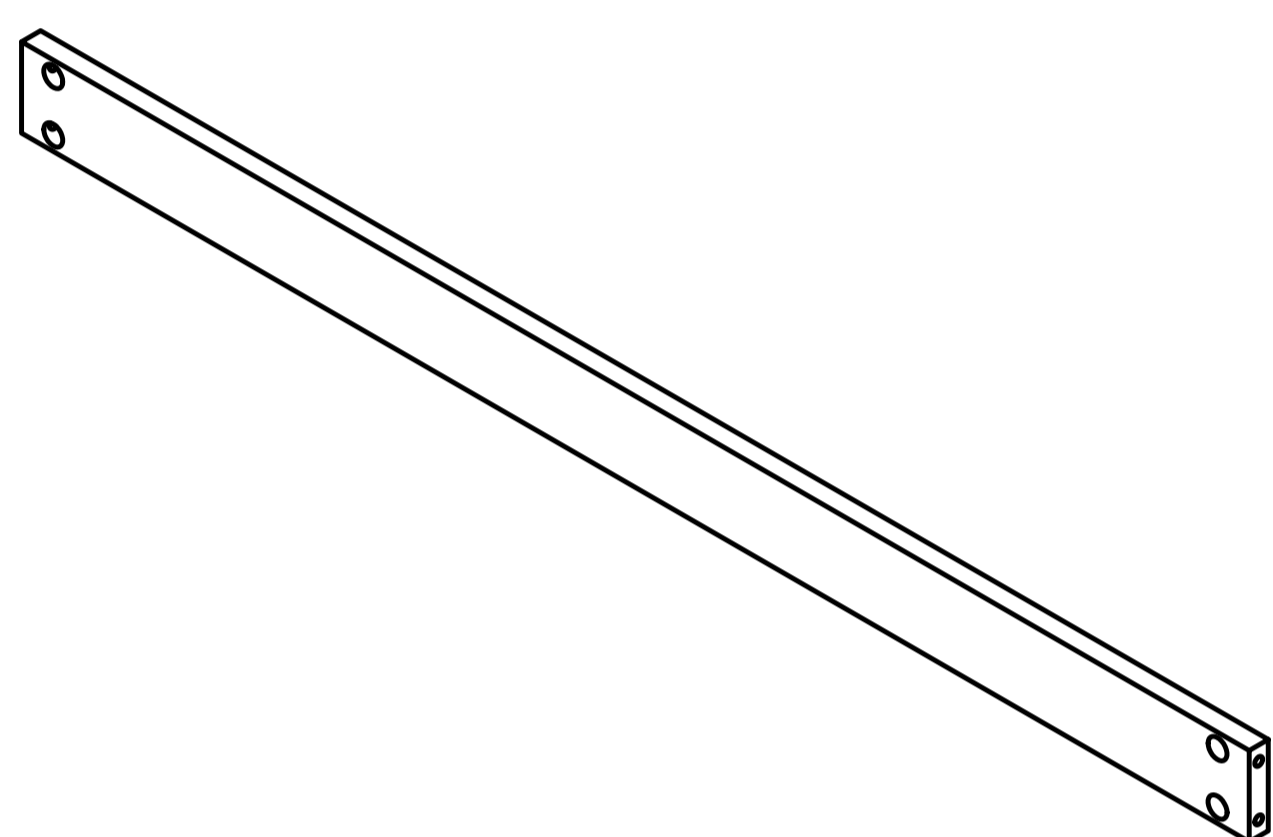
**C x4**



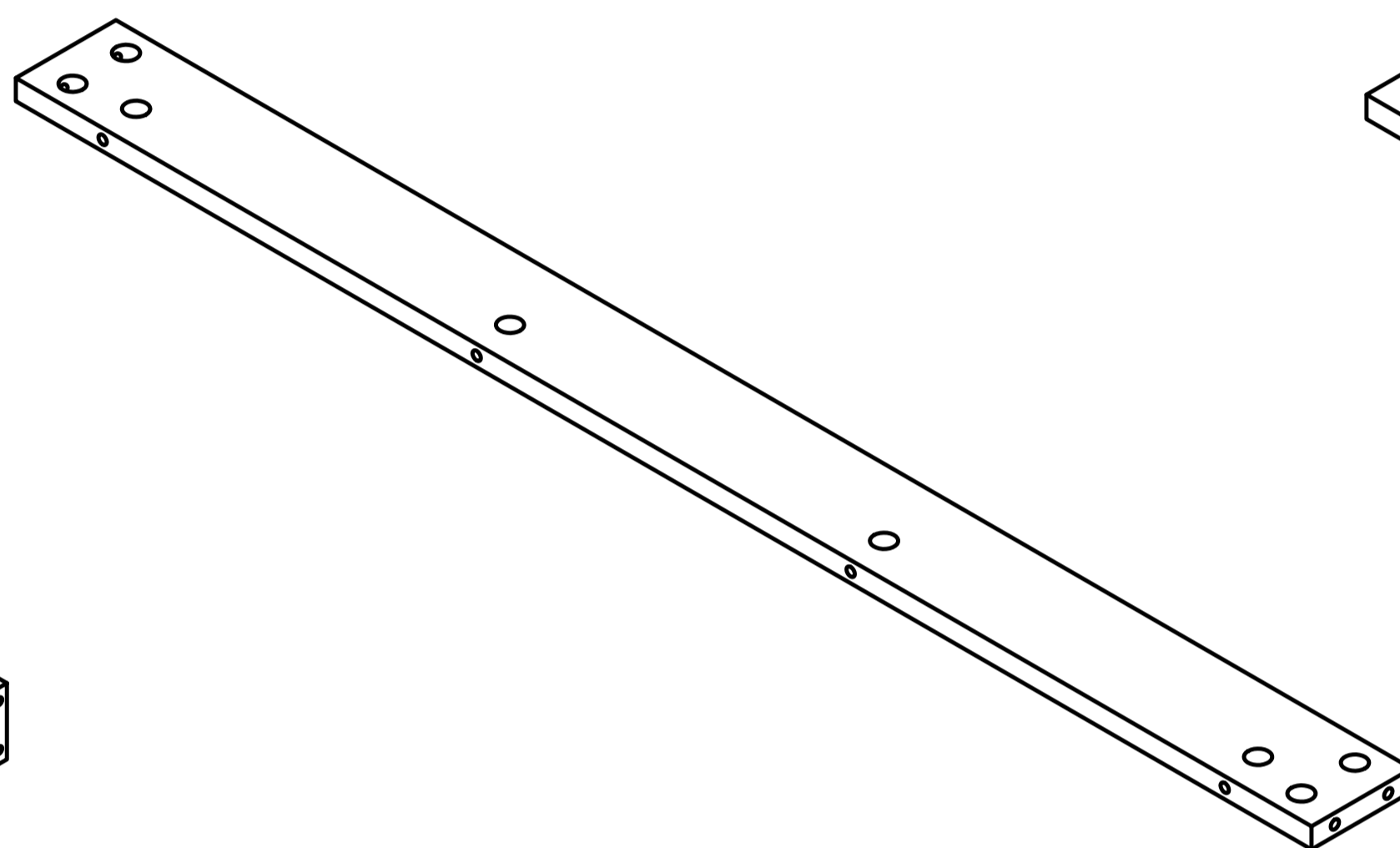
**D x1**



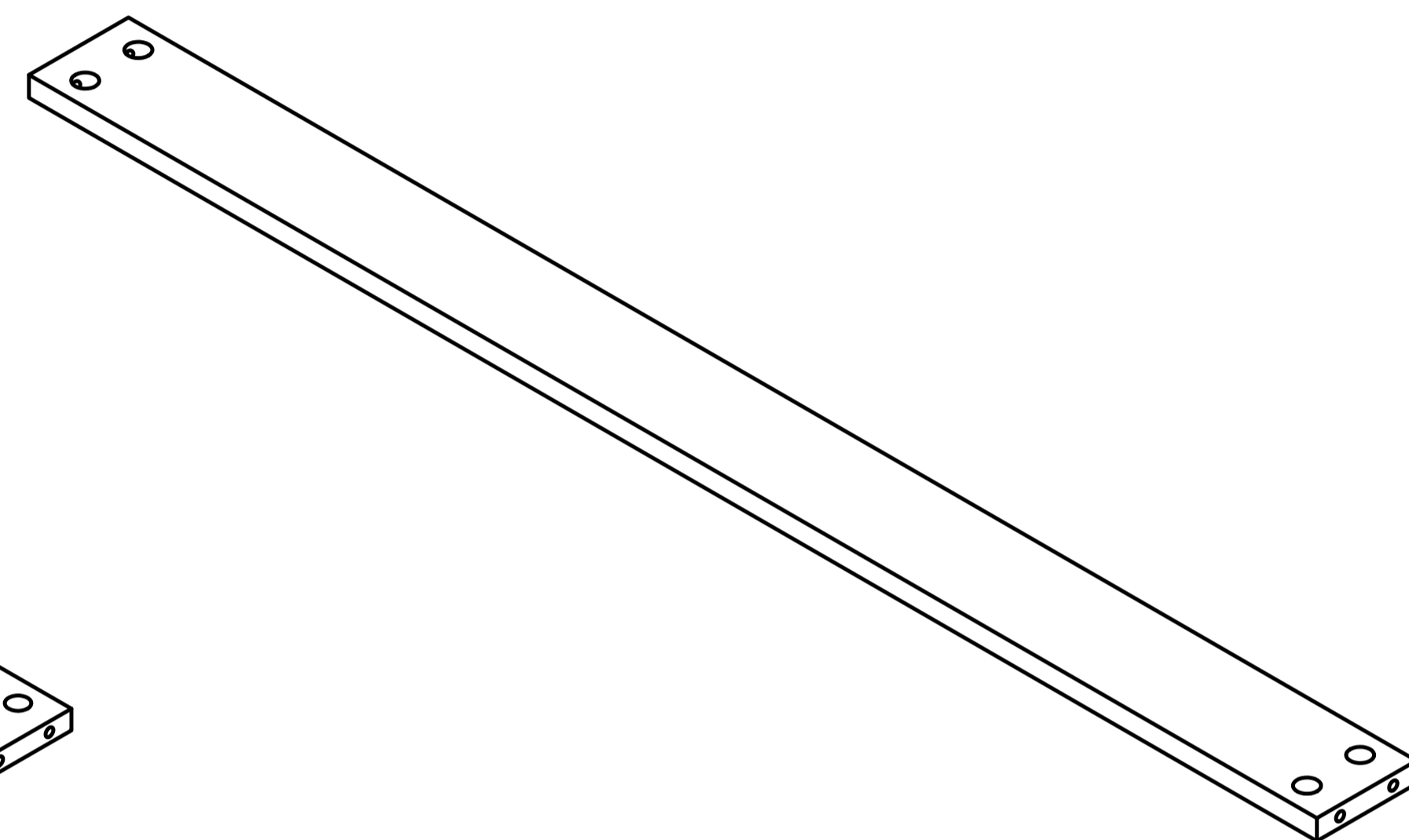
**E x1**



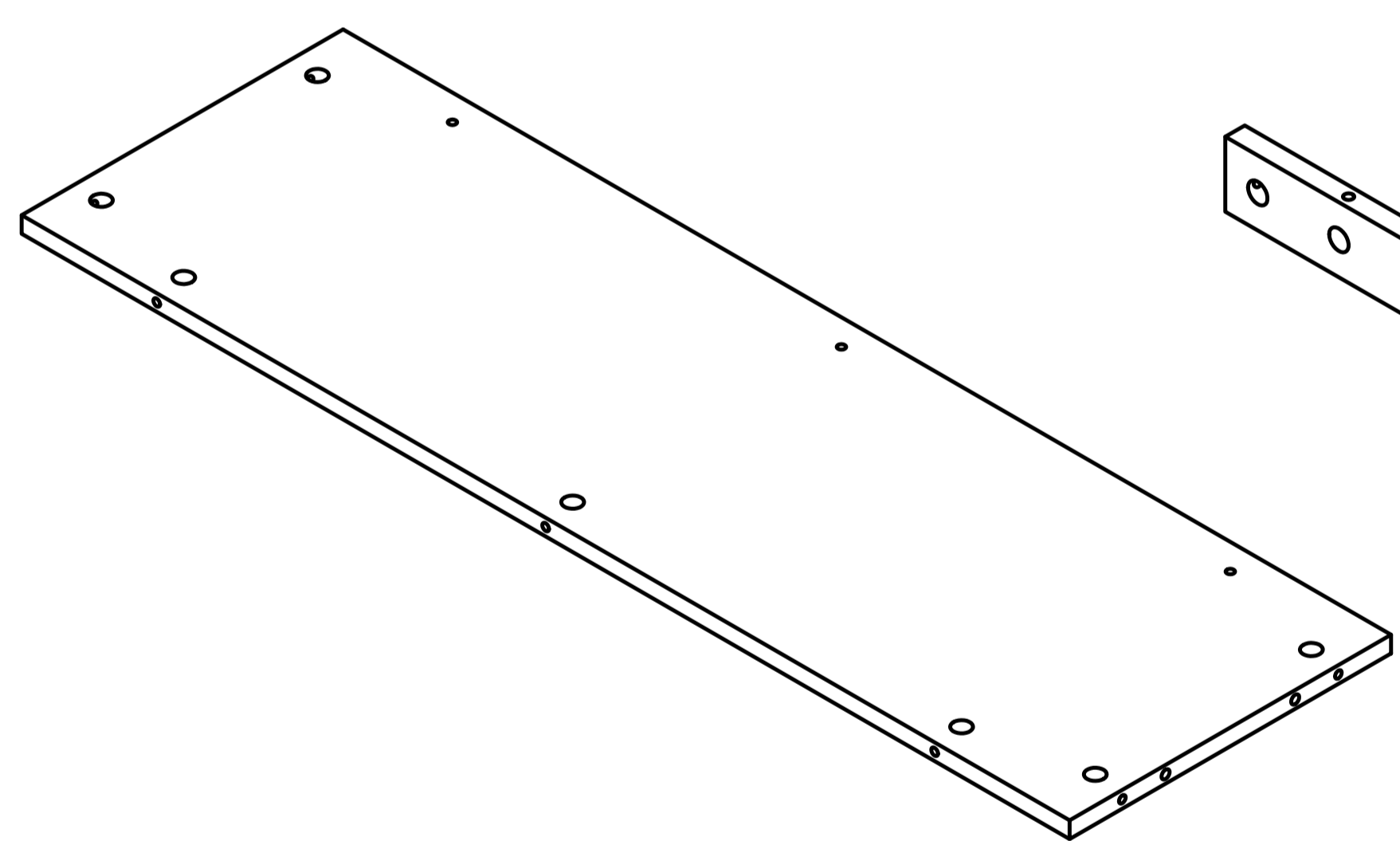
**F x1**



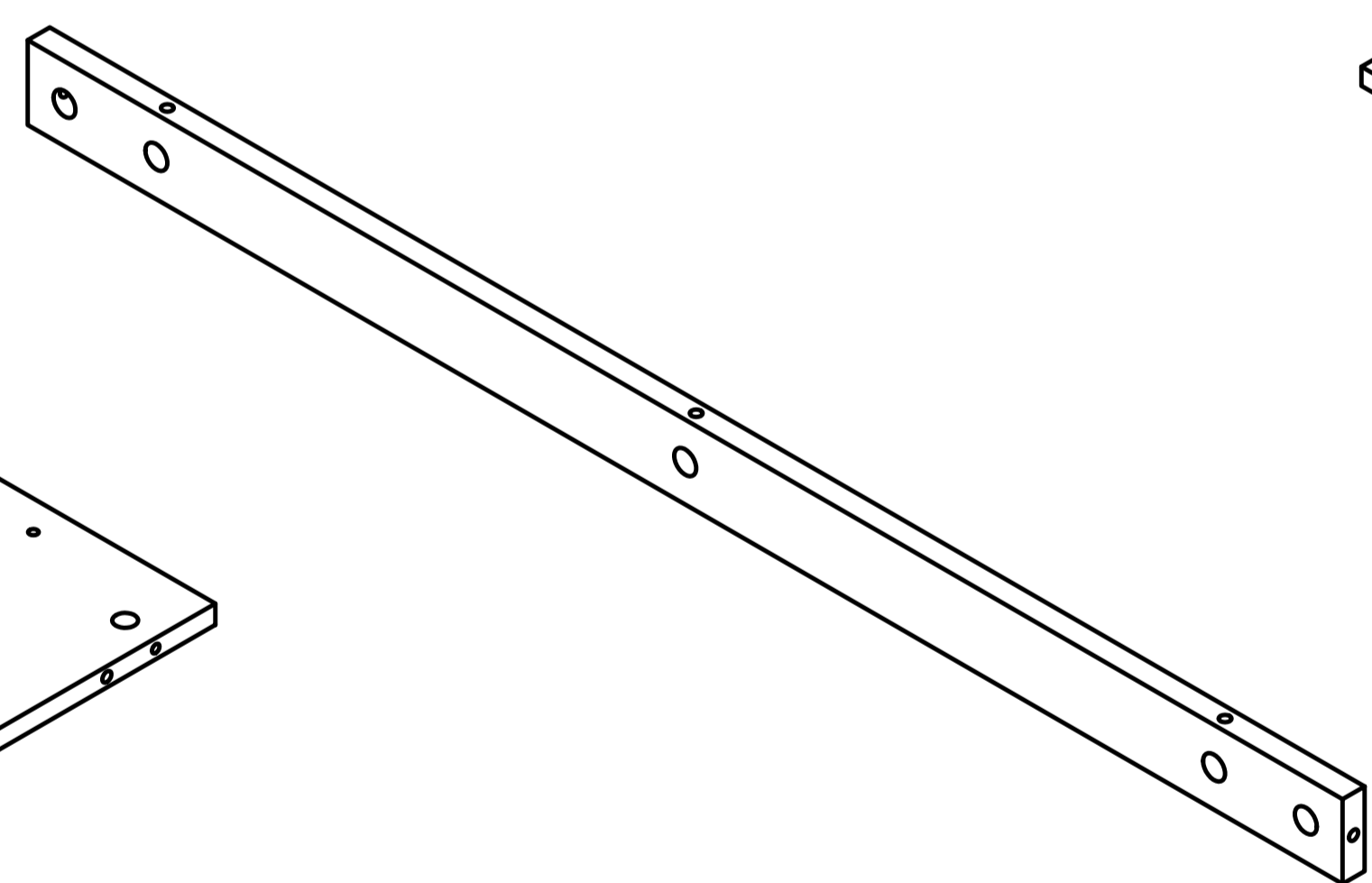
**G x1**



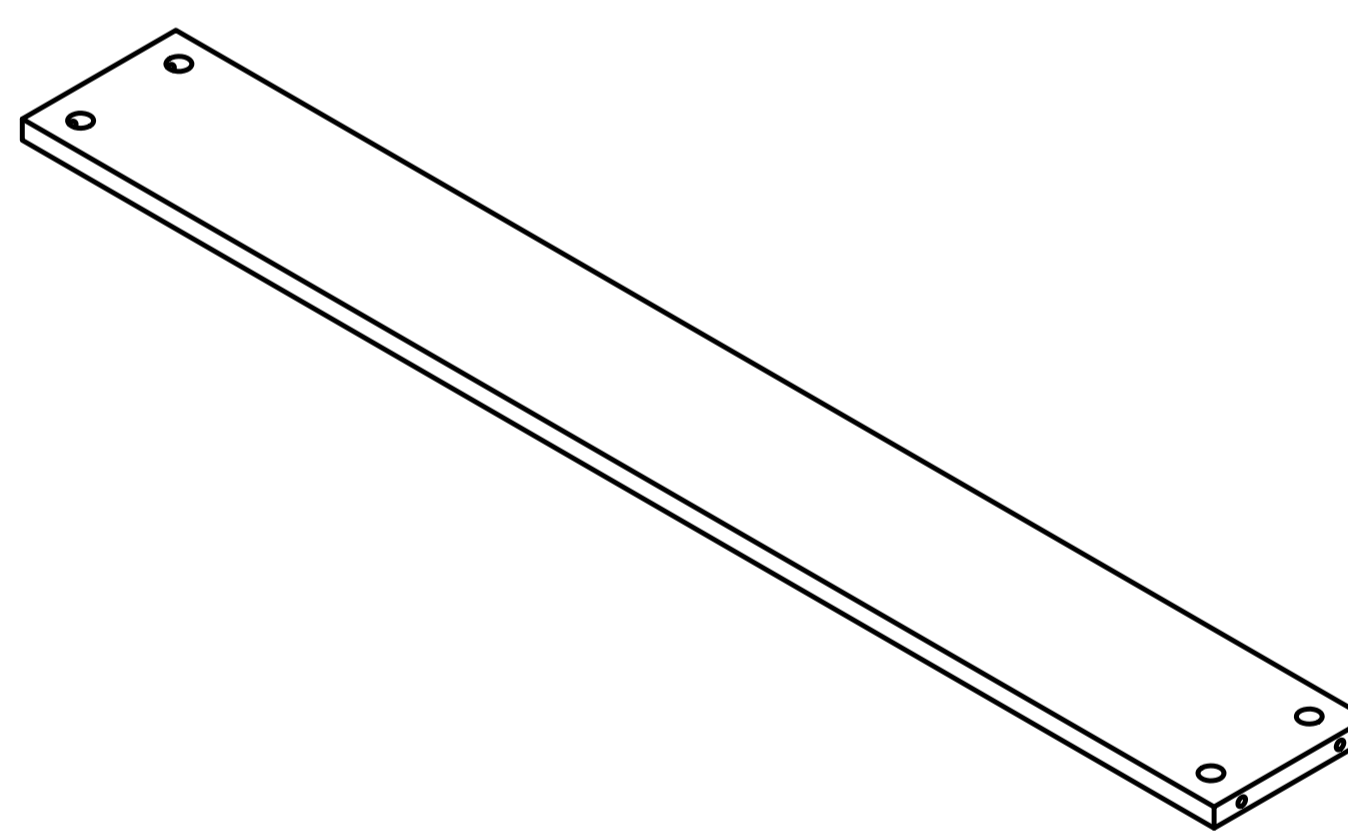
**H x1**



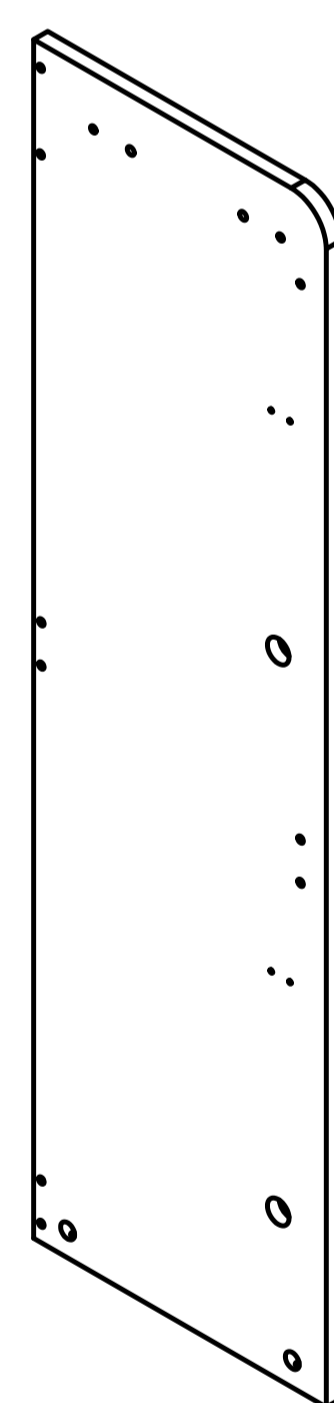
**I x1**



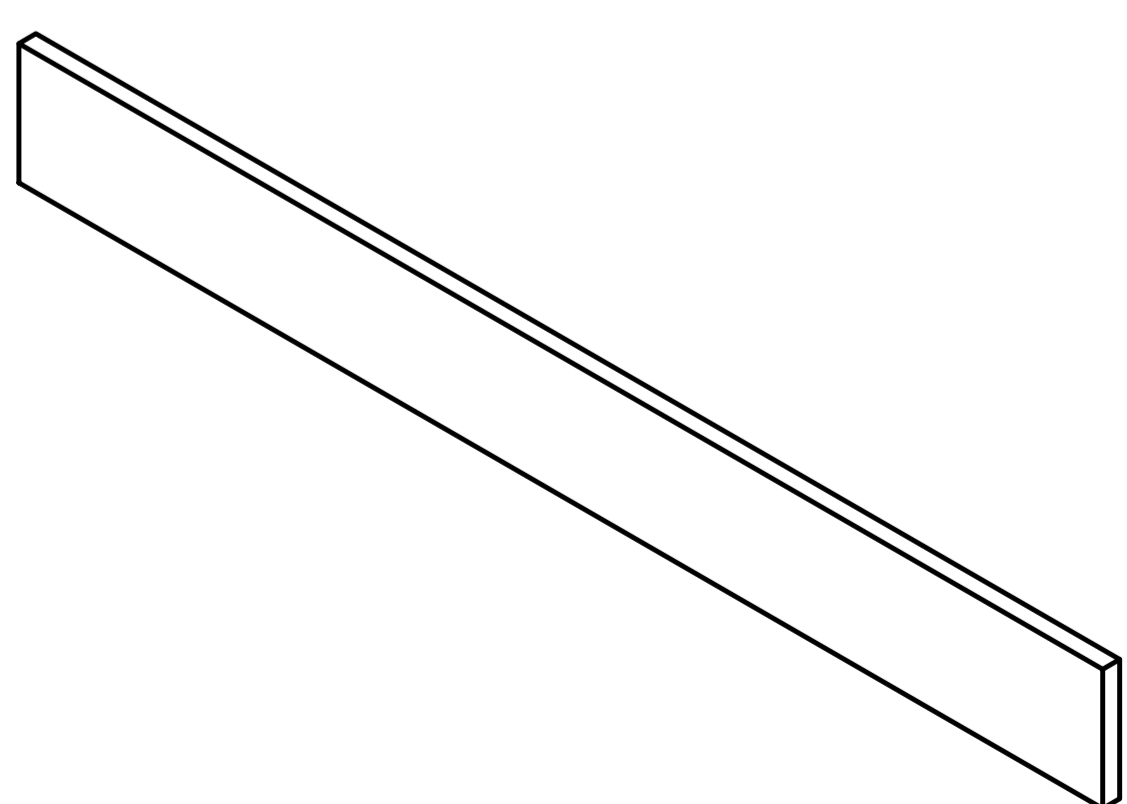
**J x1**



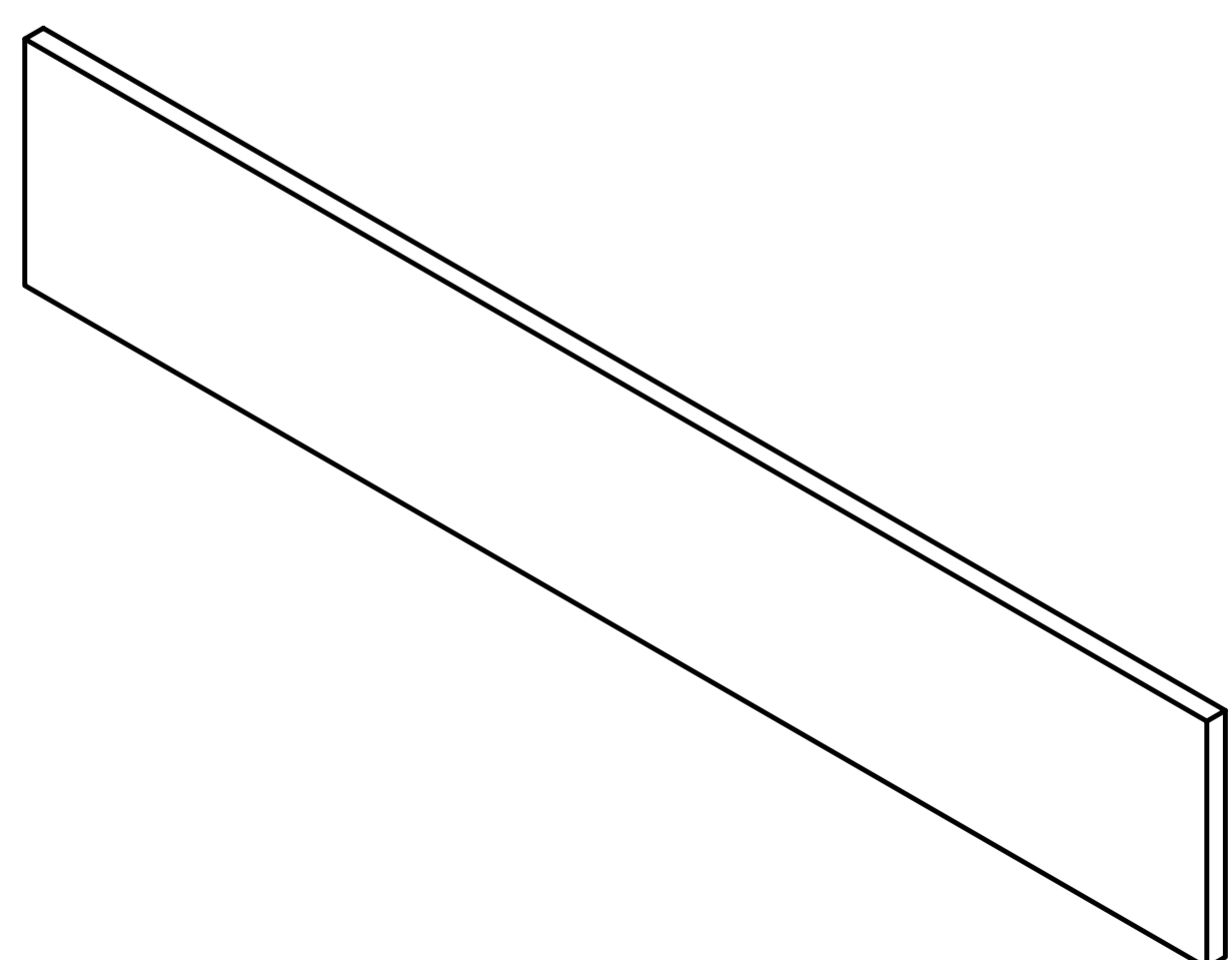
**K x1**



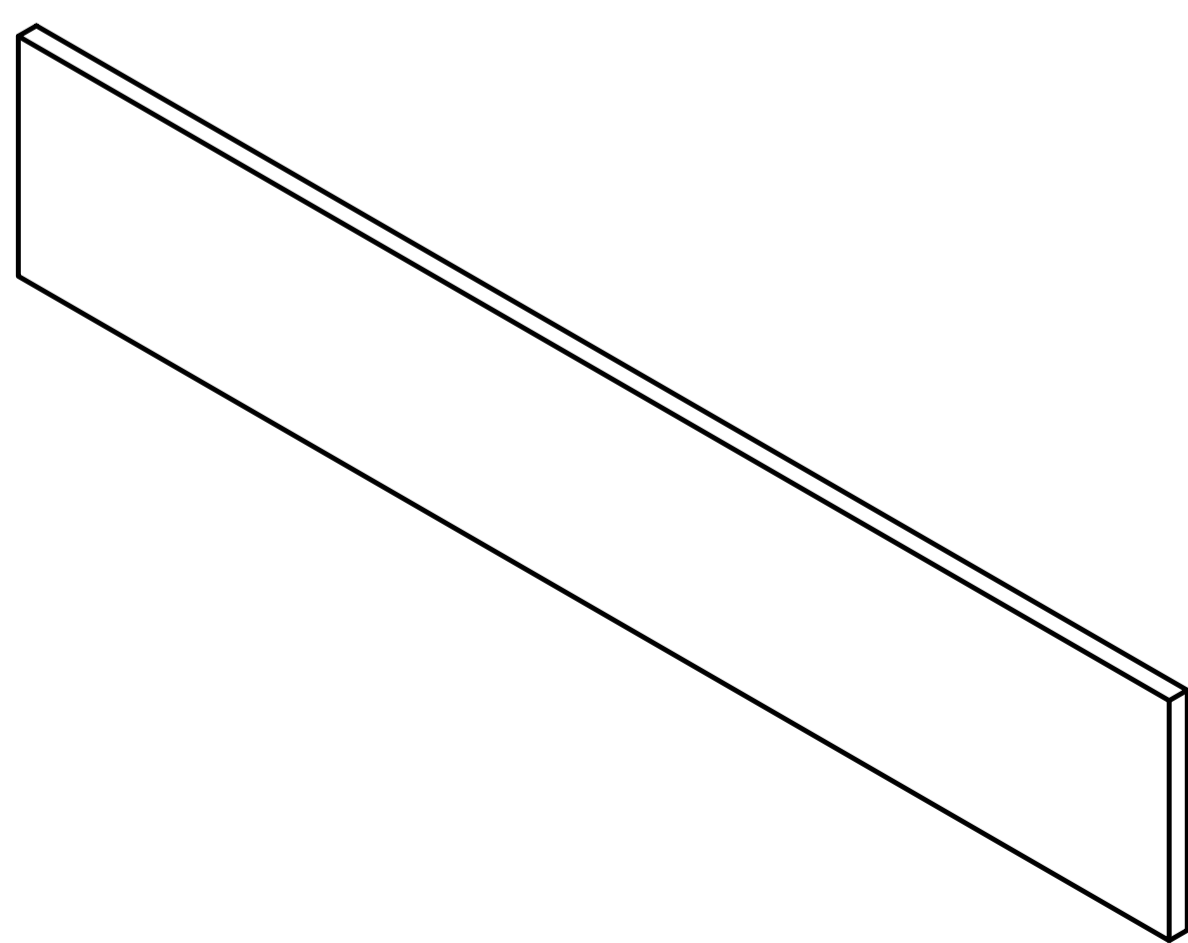
**L x1**



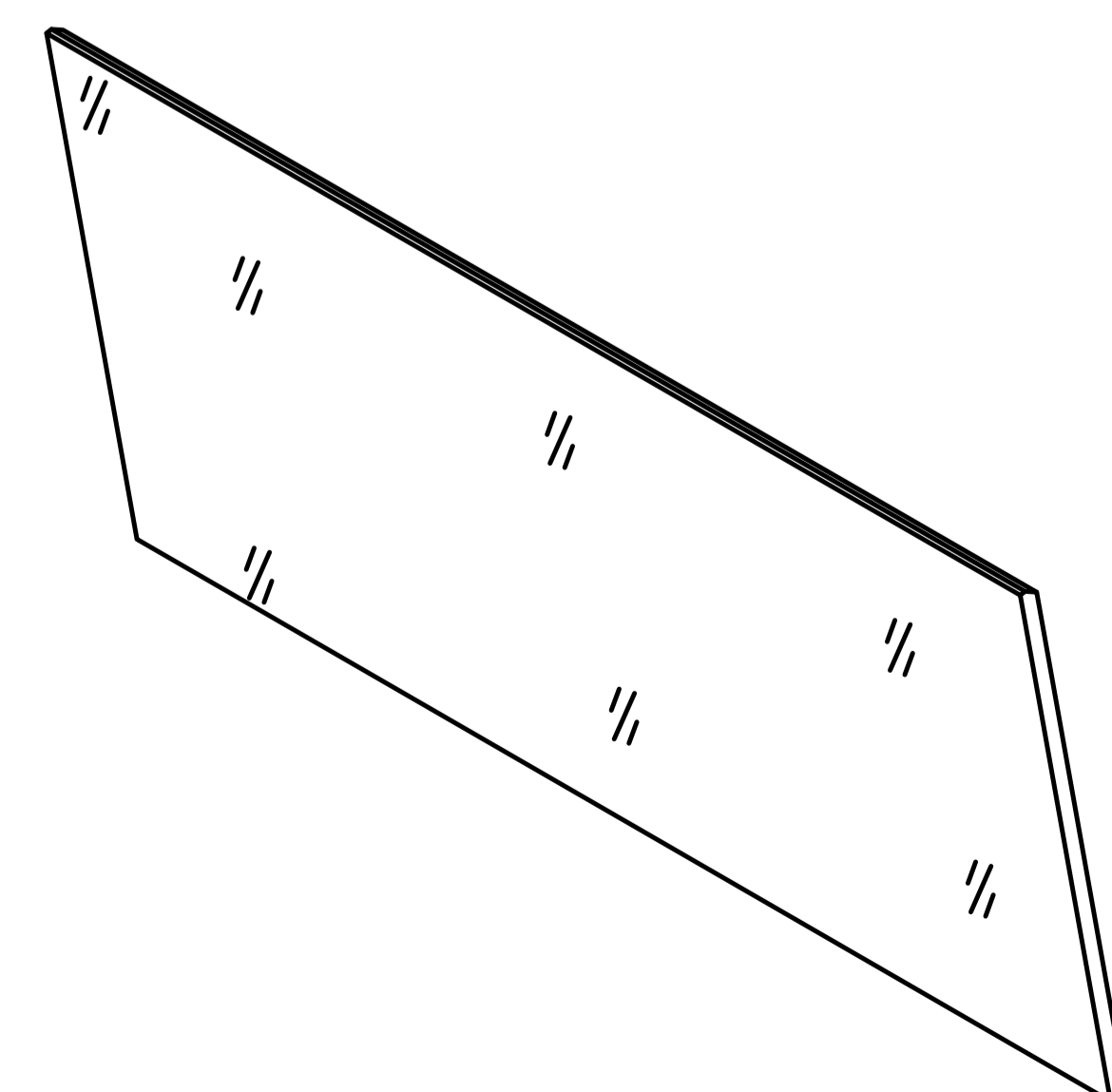
**M x2**



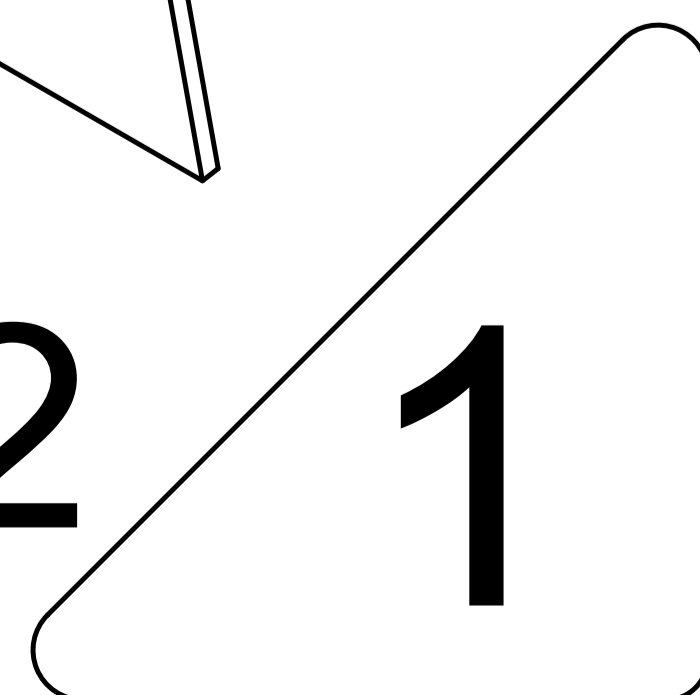
**N x2**



**O x2**

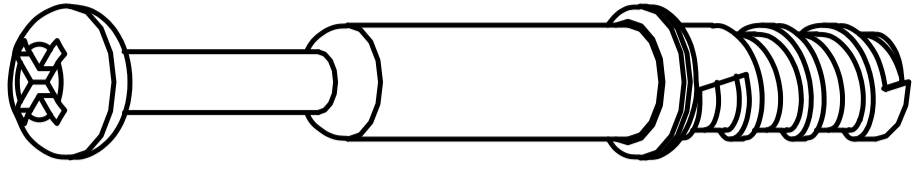
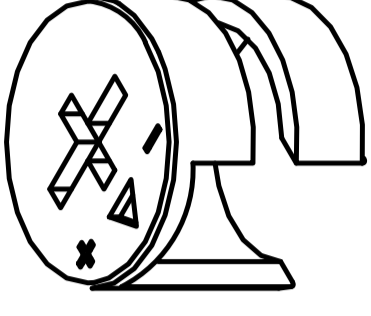
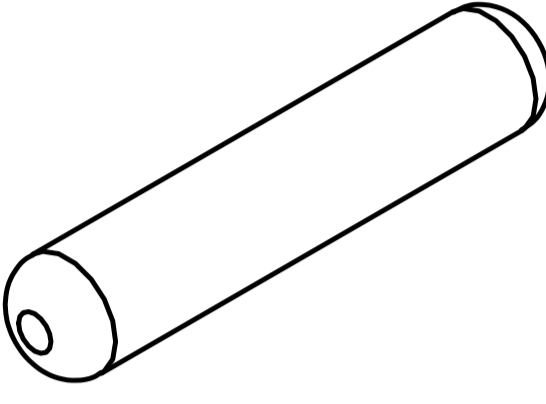
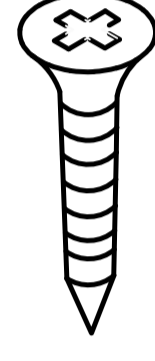
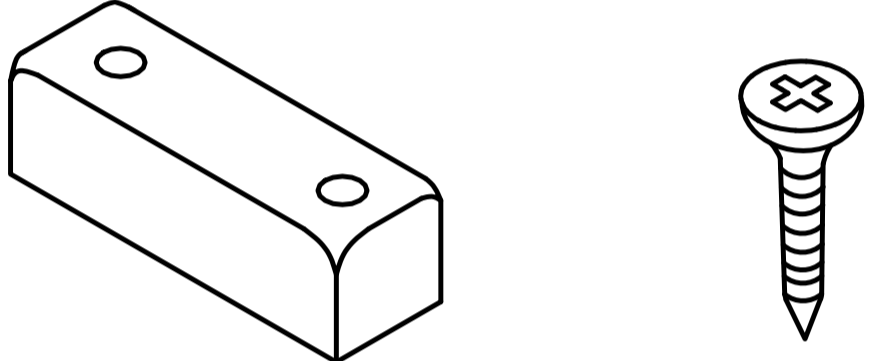
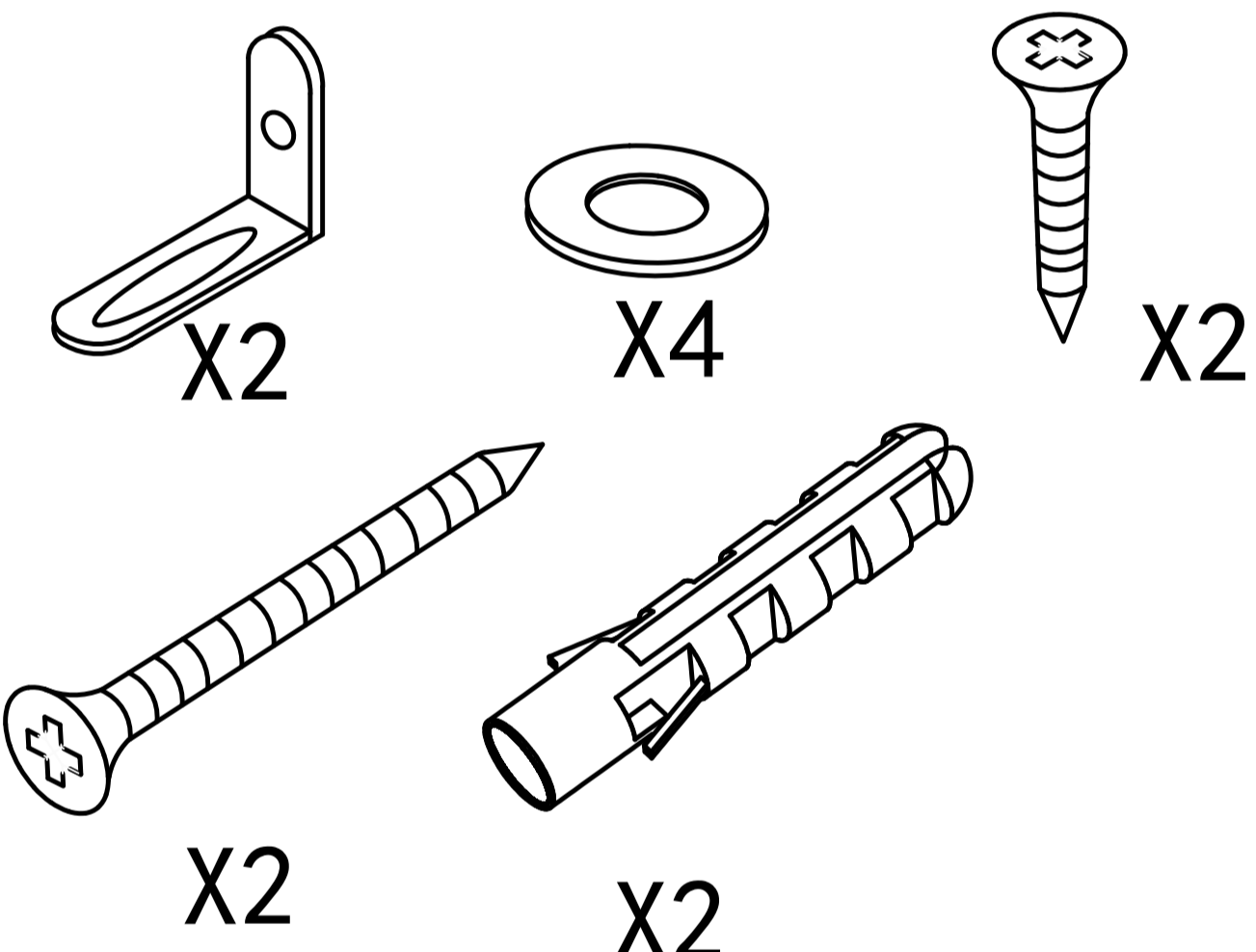
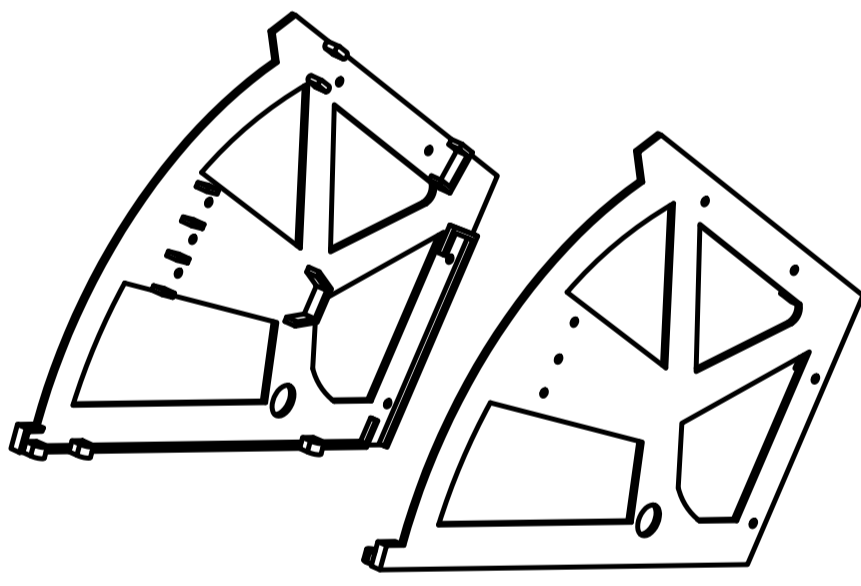



**P x2**

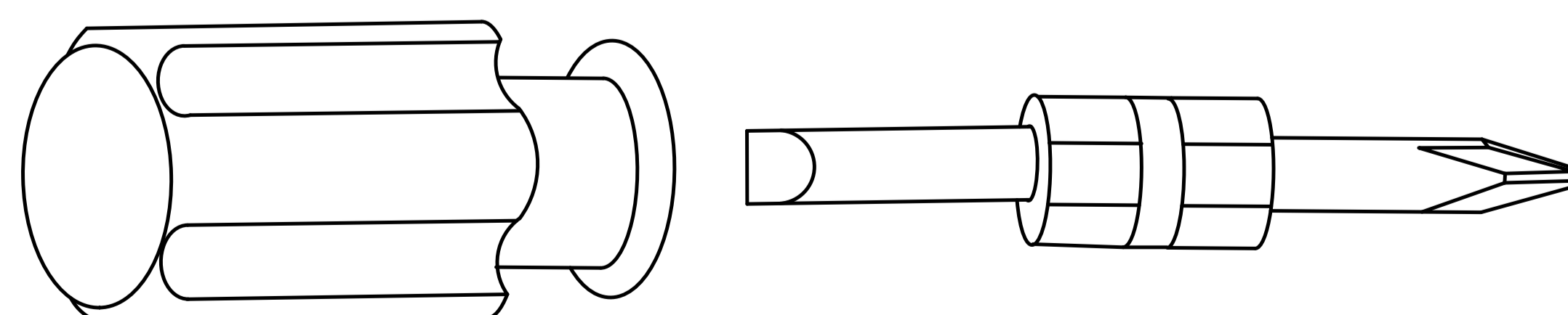
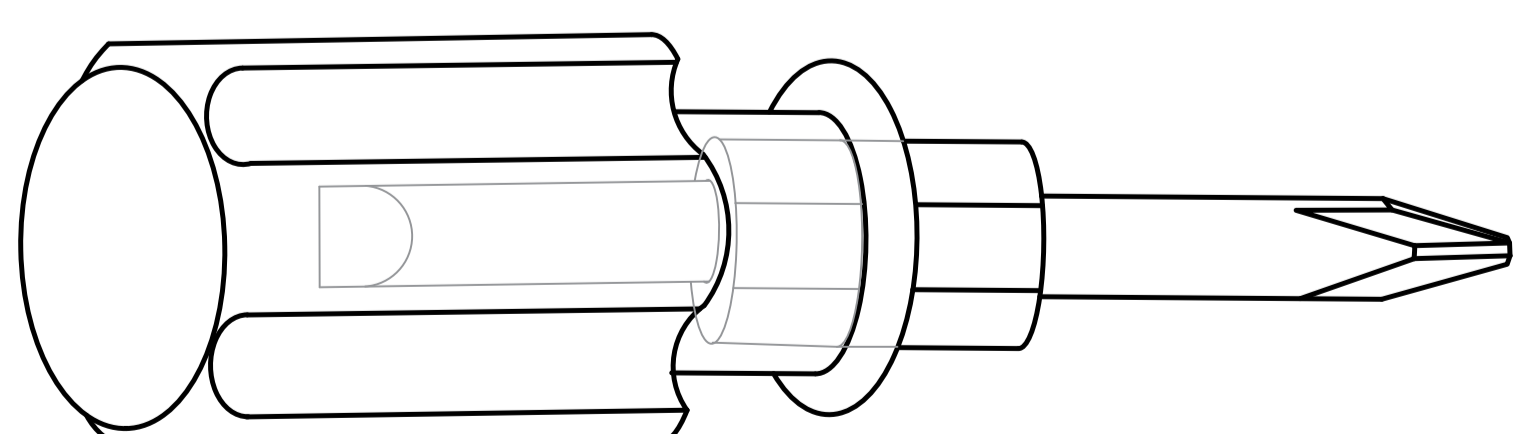


**1**

# Accessories list

①		Two In One Screw (6x28mm)	52pcs +5pcs
②		Two In One Nut (10x12mm)	52pcs +5pcs
③		Wood Chipping (6x30mm)	8pcs +2pcs
④		Screw(3.5x14mm)	32pcs +2pcs
⑤		Positioning Block Screw(3x16mm)	<div style="display: flex; justify-content: space-between; align-items: center;"> <span>4pcs</span> <span>8pcs +1pcs</span> </div>
⑥		Anti inverted right angle grommet Screw(3.5x14mm) Screw(4x45mm) Countersunk head tapping	1pcs
⑦		Flip-up hardware	4pcs
⑧		Trim Cover Screw Screw(4x9mm)	<div style="display: flex; justify-content: space-between; align-items: center;"> <span>4pcs</span> <span>4pcs +1pcs</span> </div>

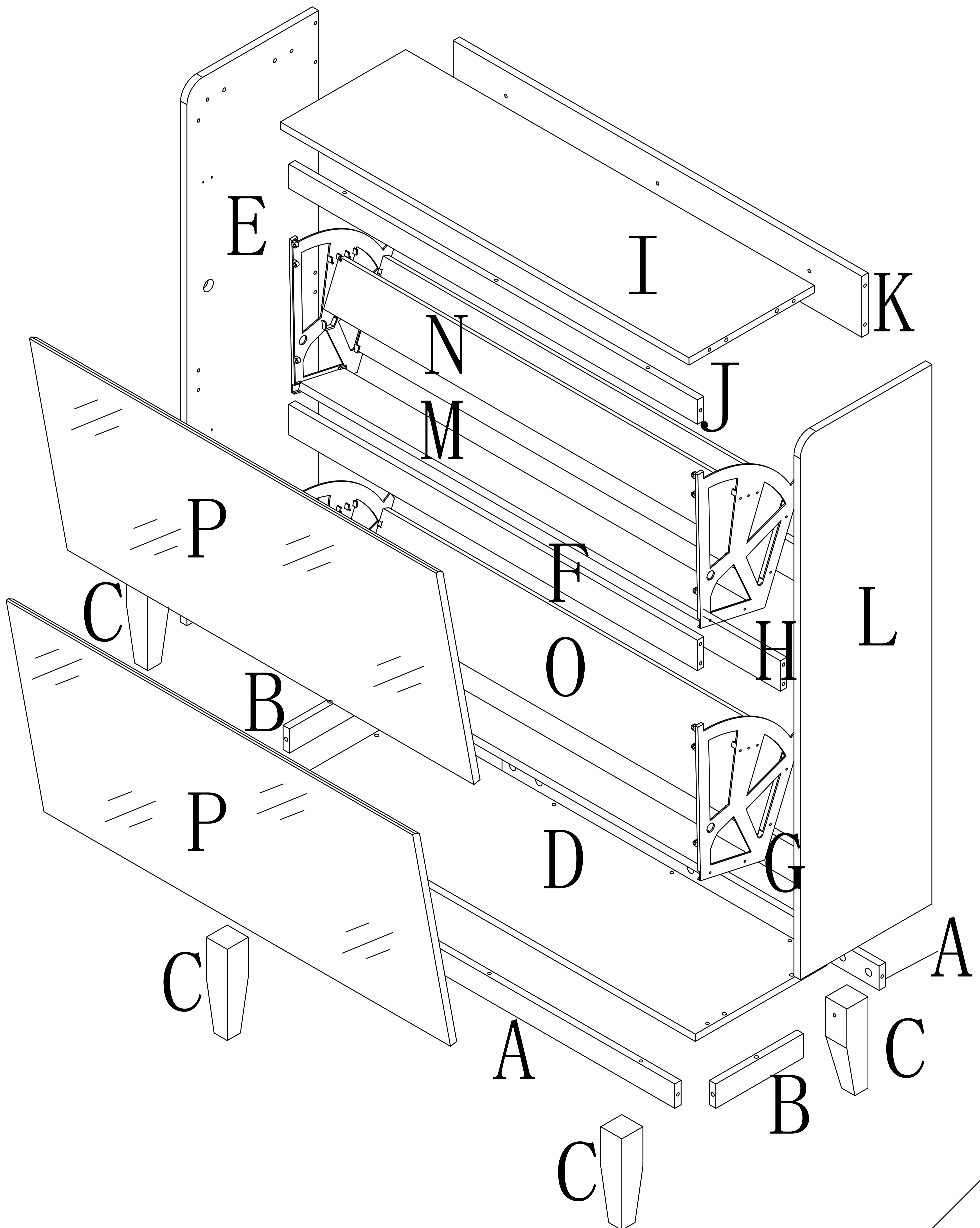
1pcs



Double-head screwdriver, use as required

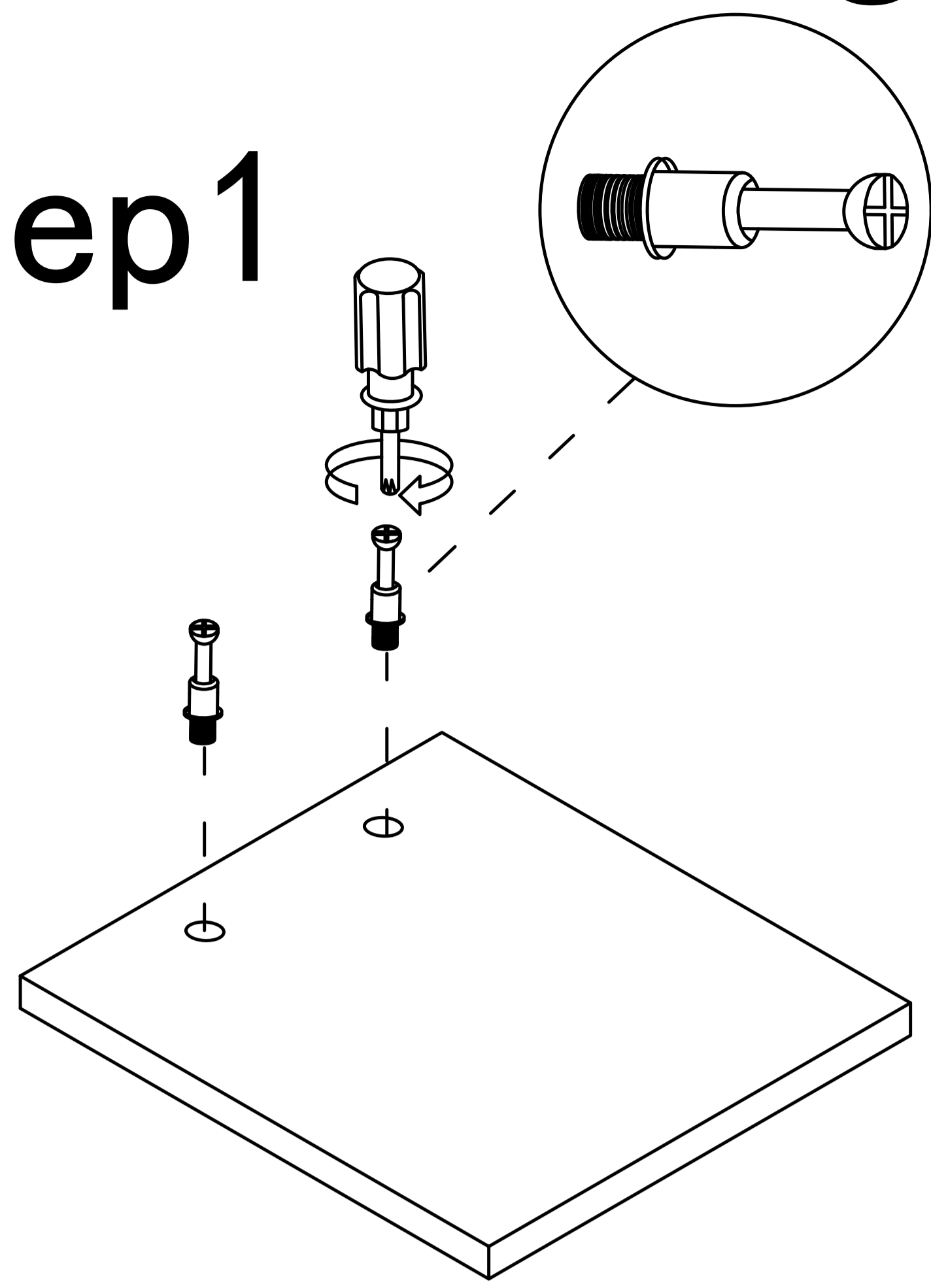
2

# Product structure decomposition

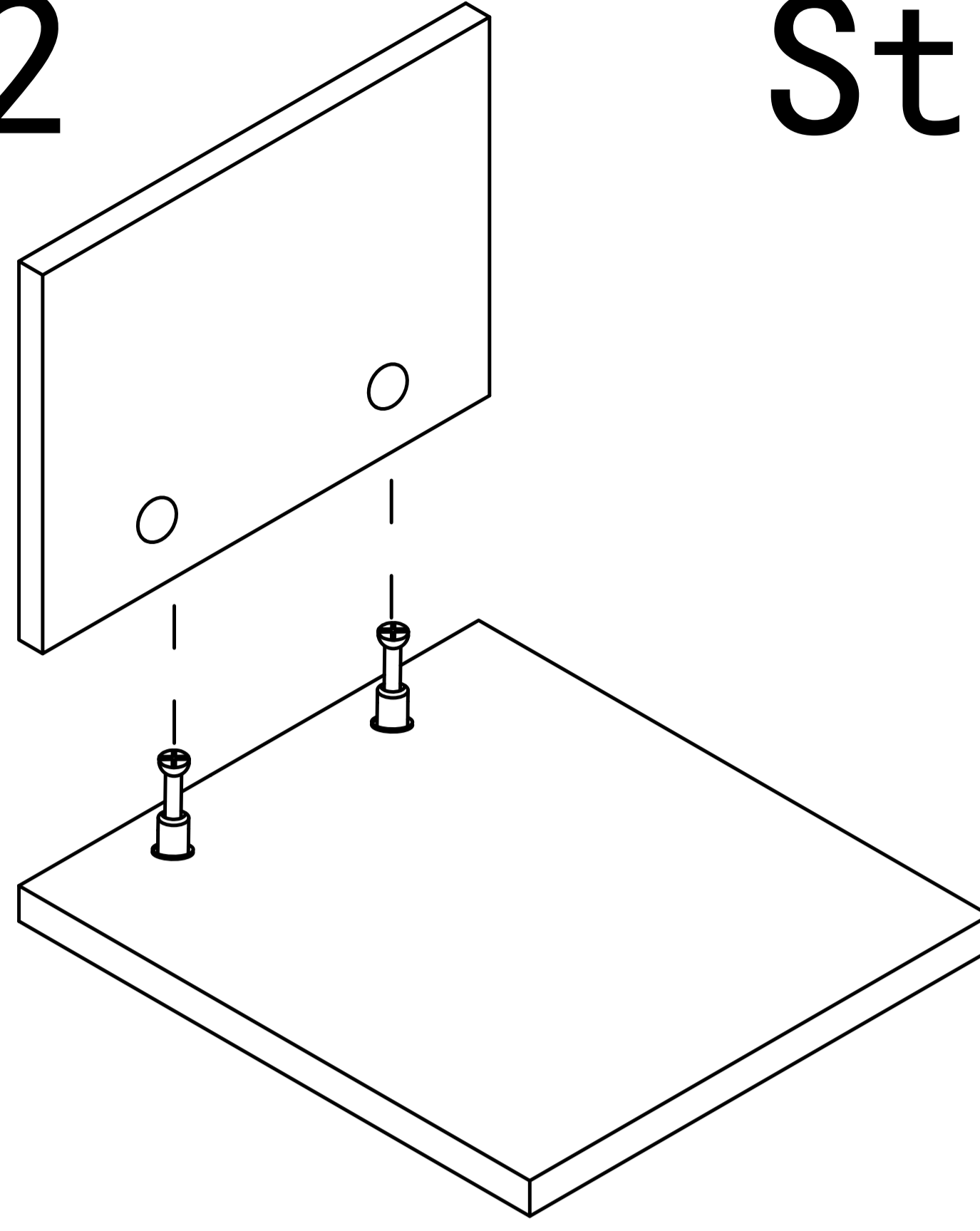


# Use parts ① and ②

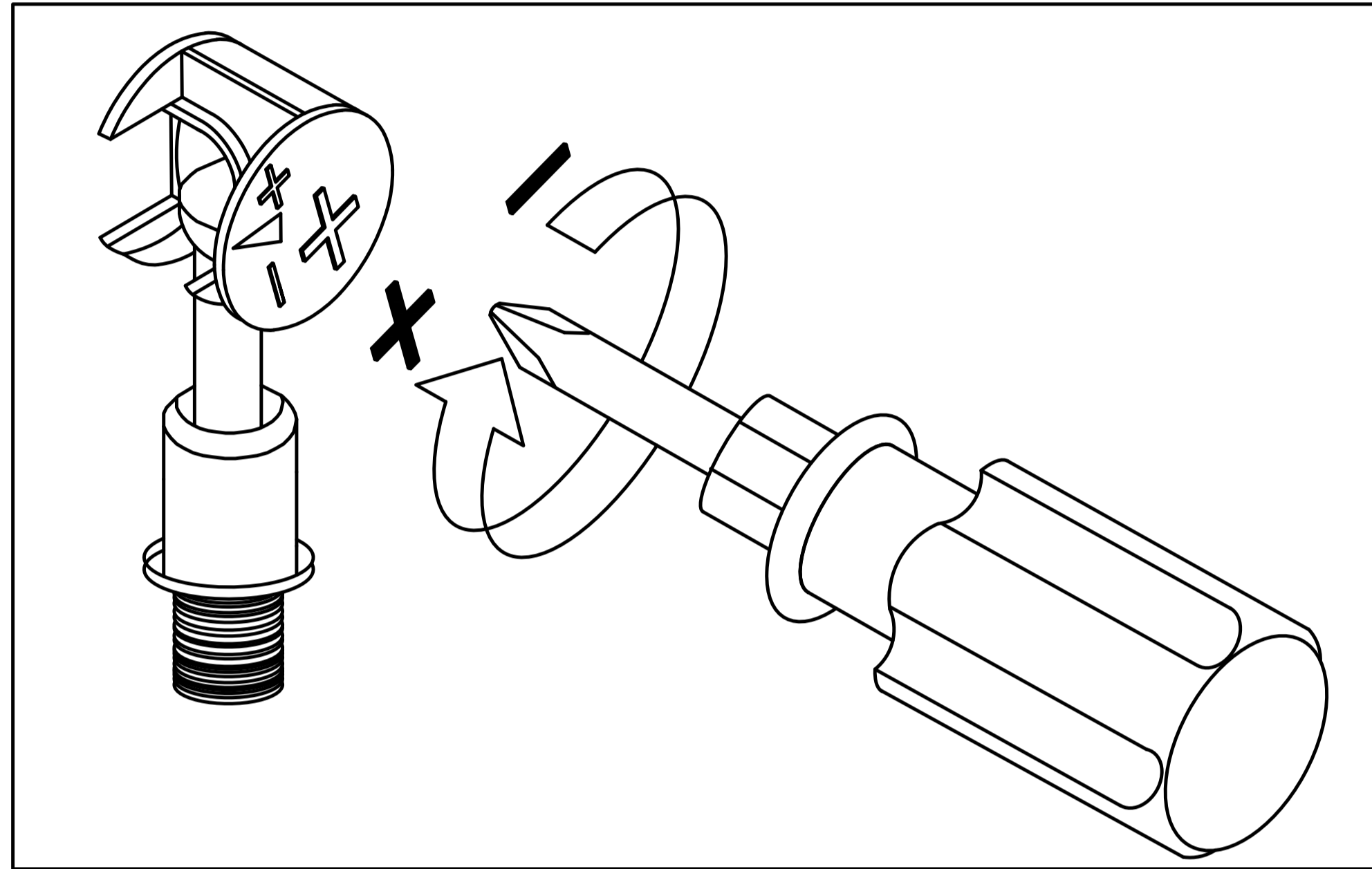
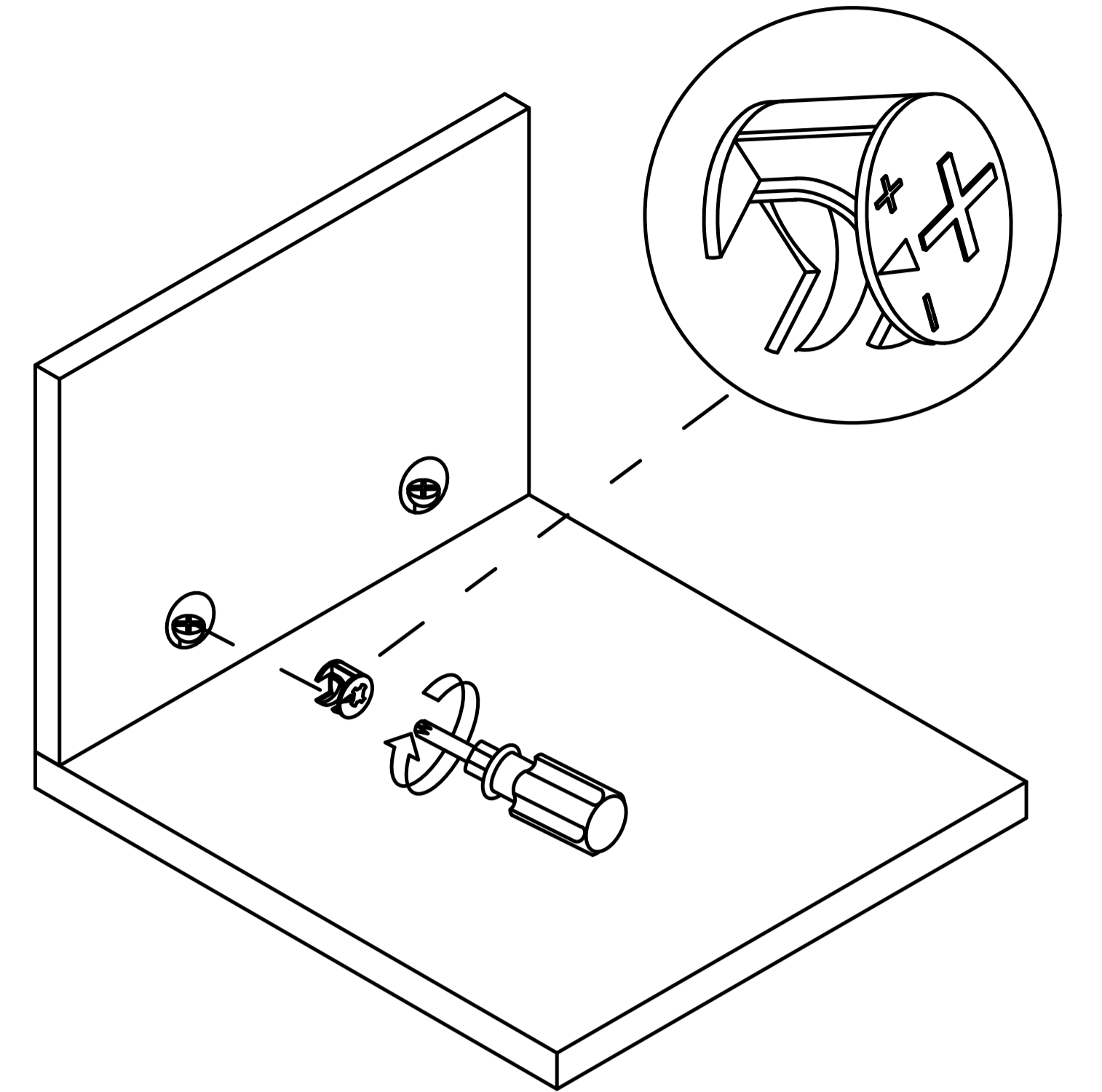
## Step 1



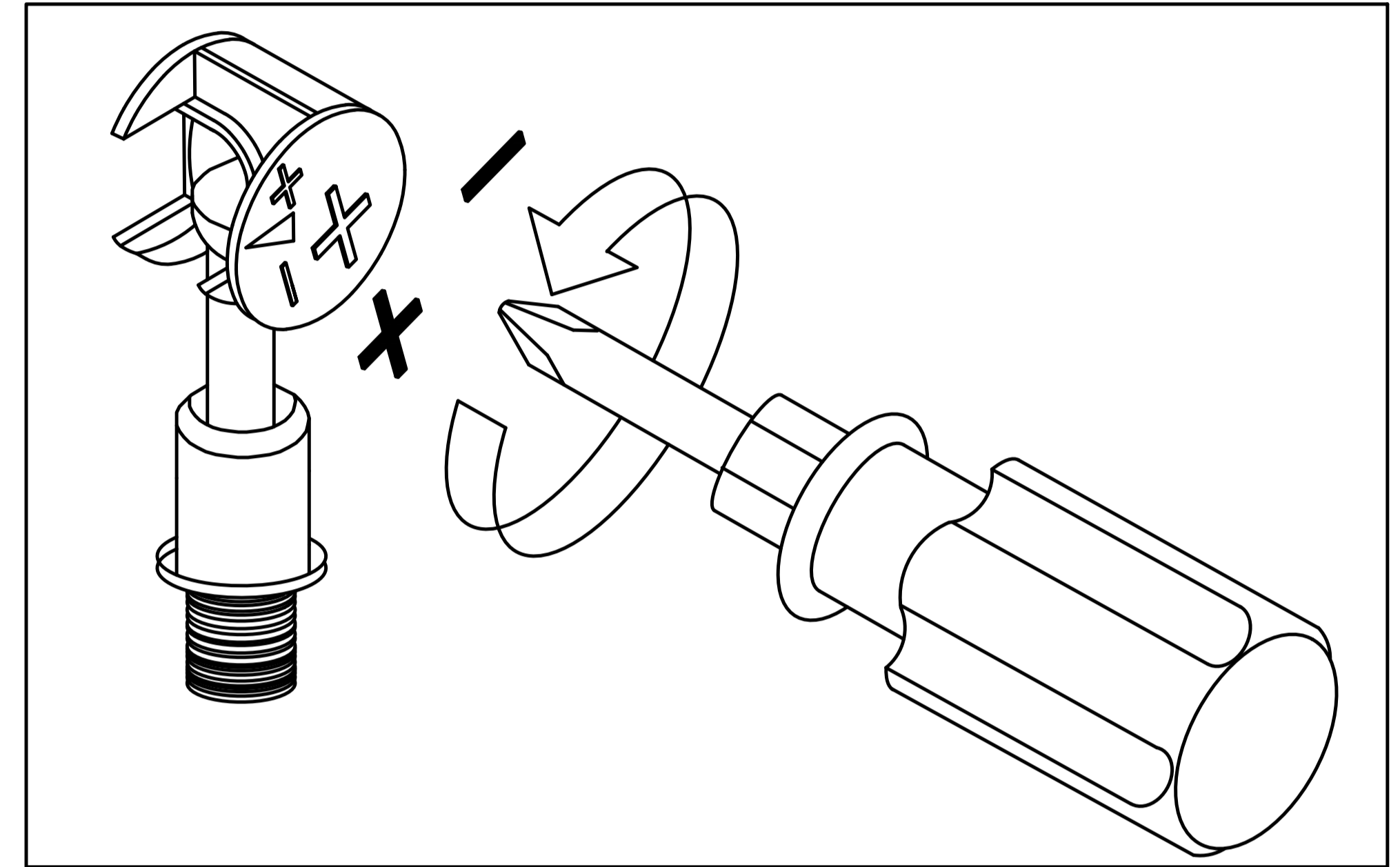
## Step 2



## Step 3

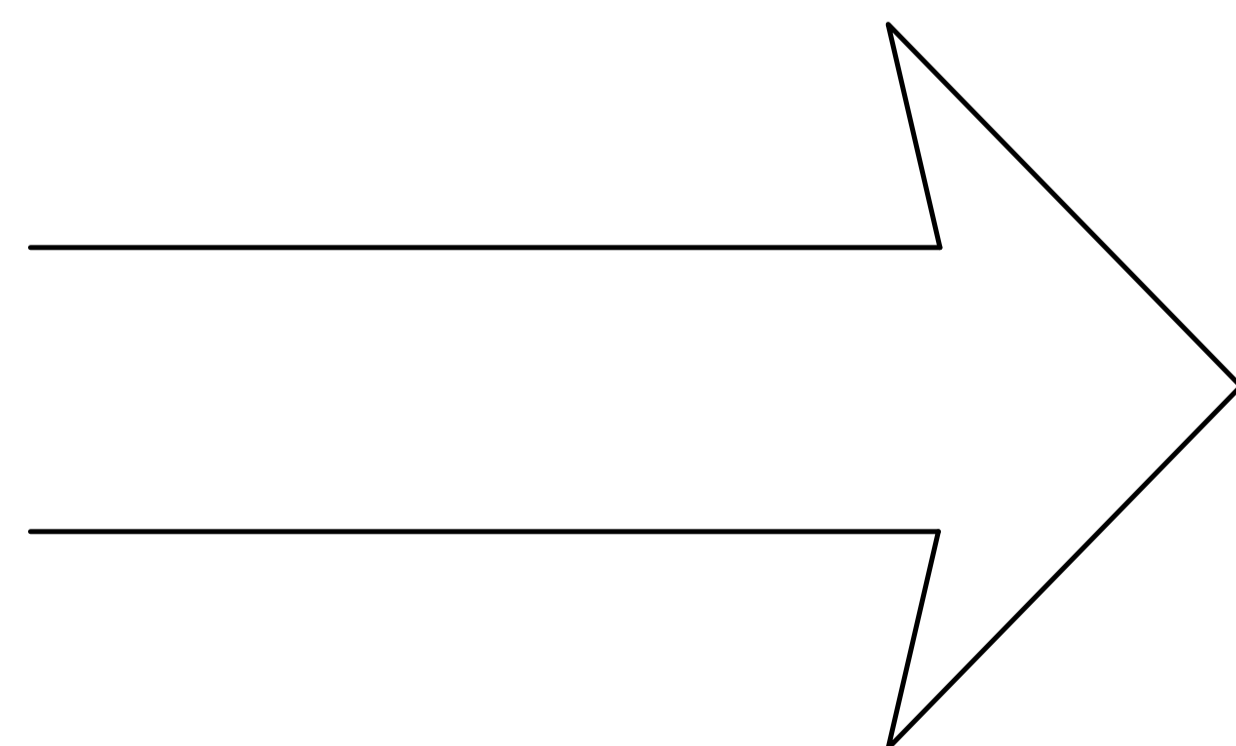
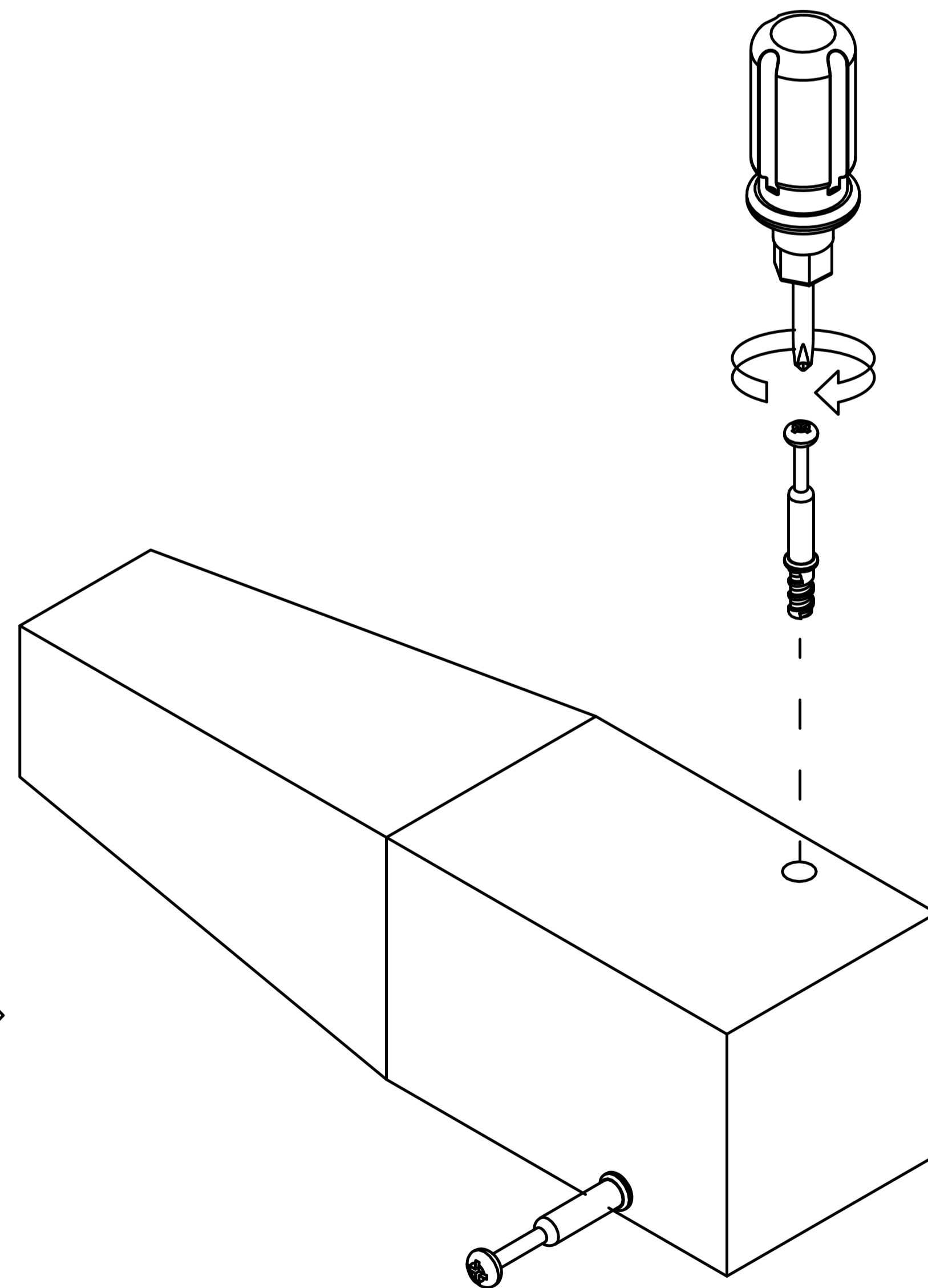
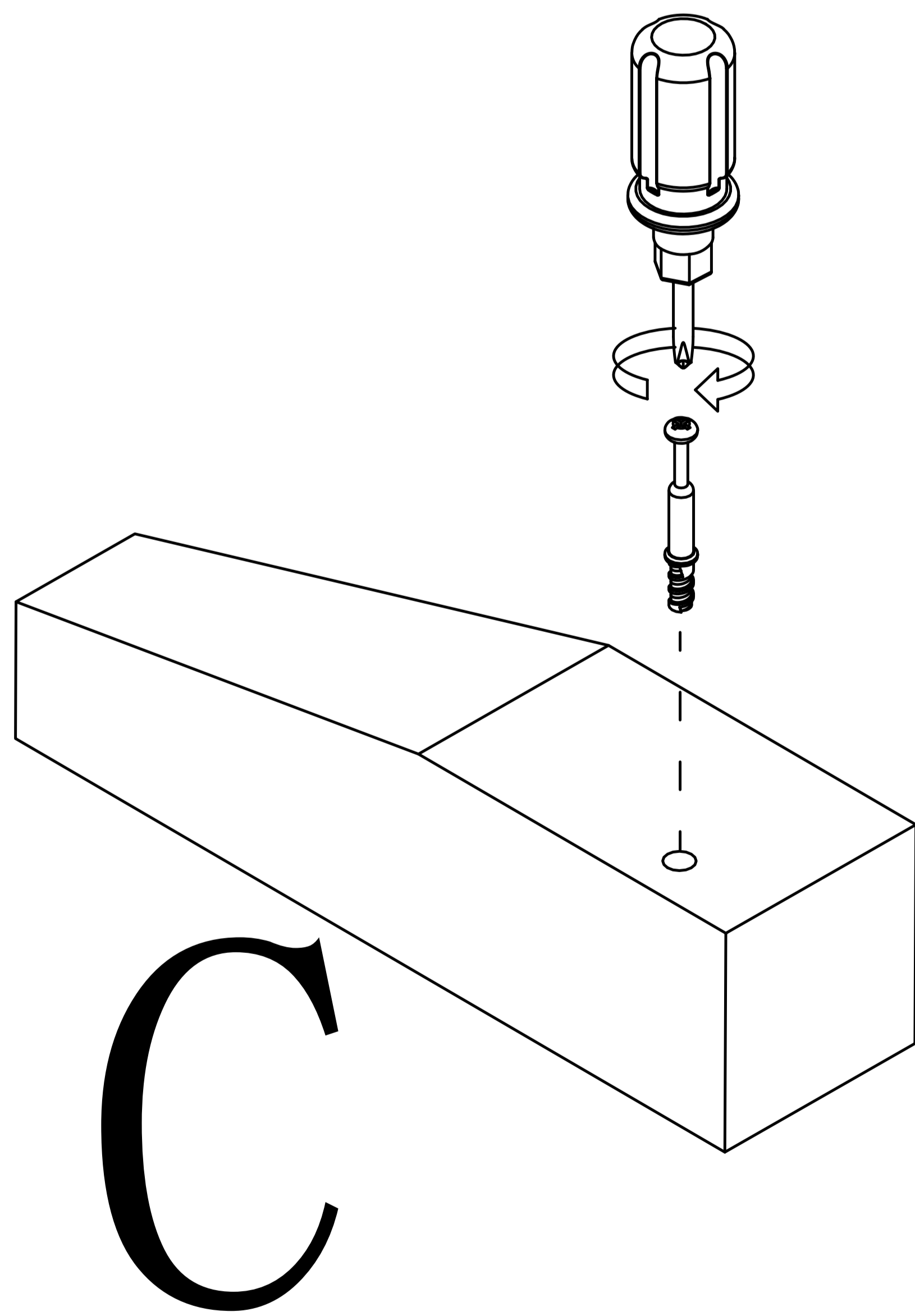
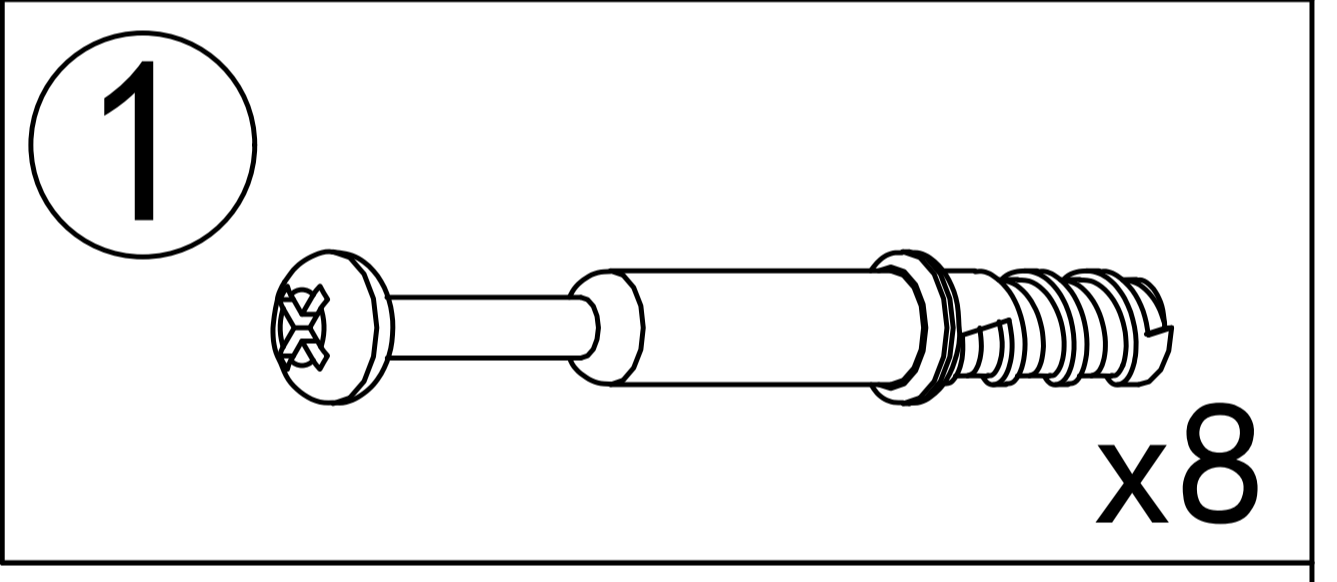


Use a screwdriver to lock in the direction of the "+" sign



Disassemble along the direction of "-" sign

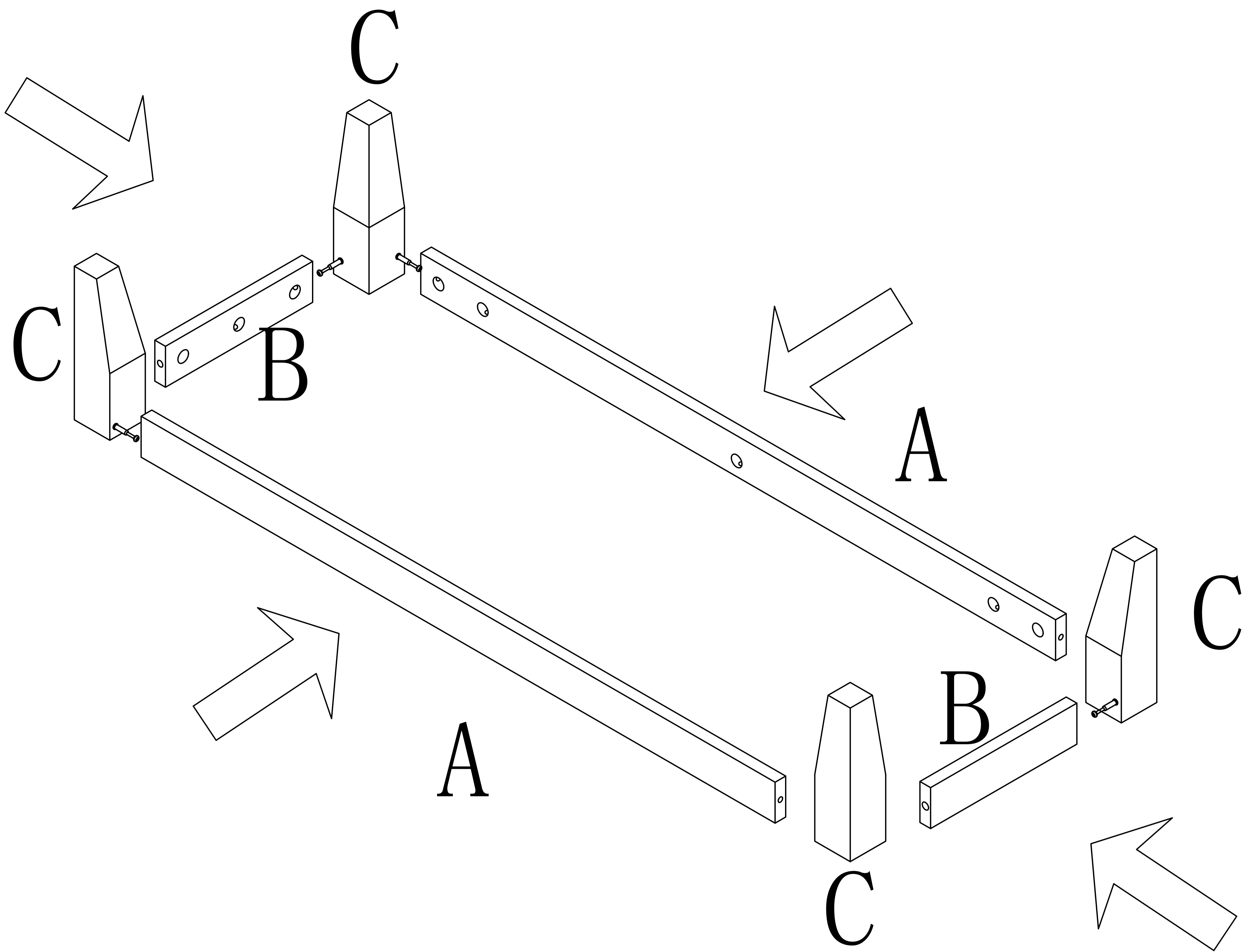
## Step 1



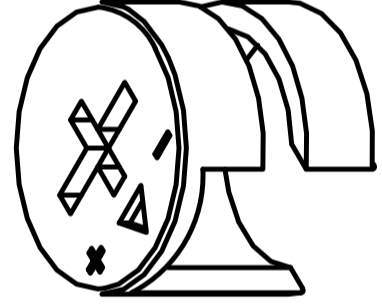
# X4

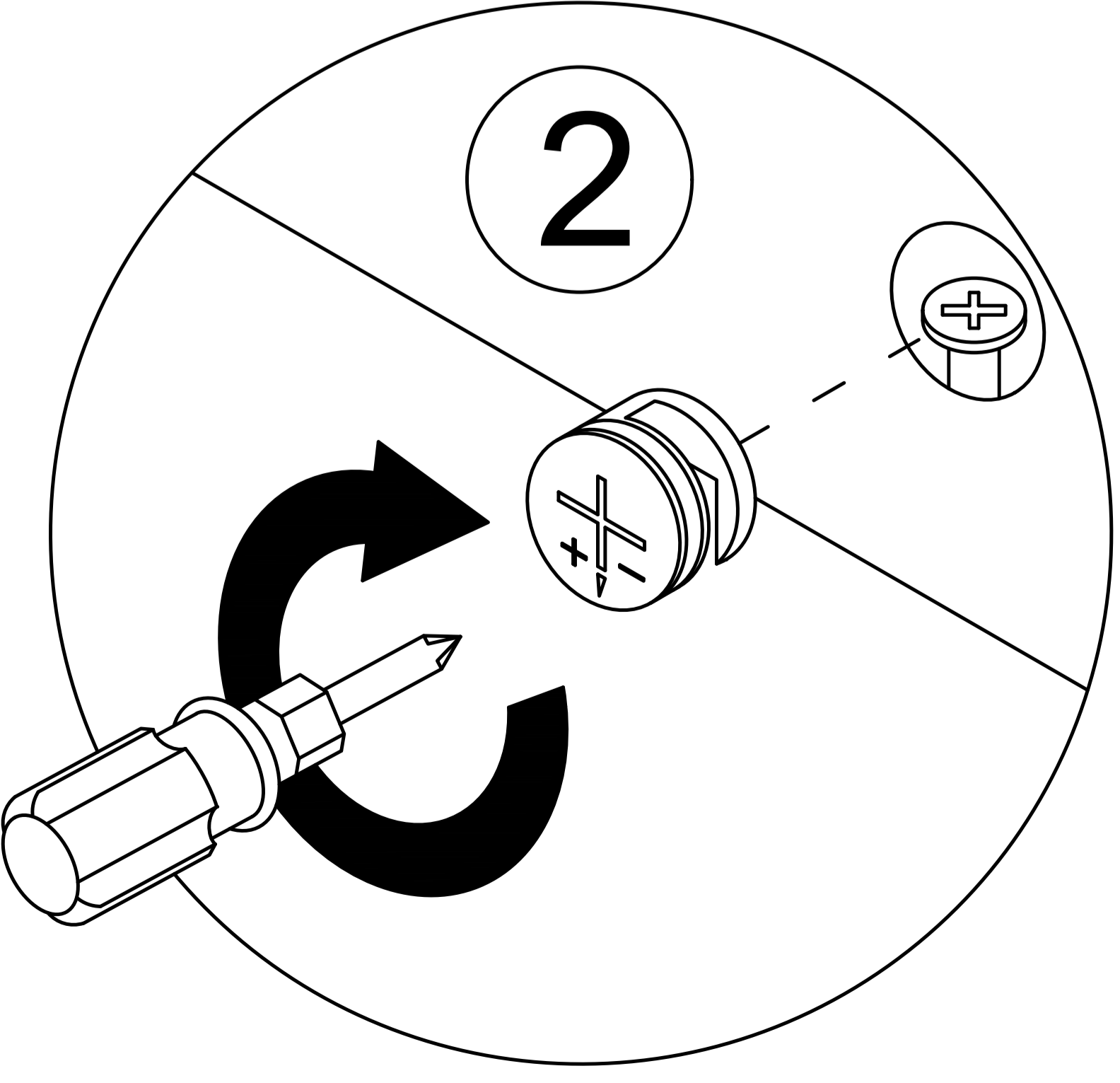
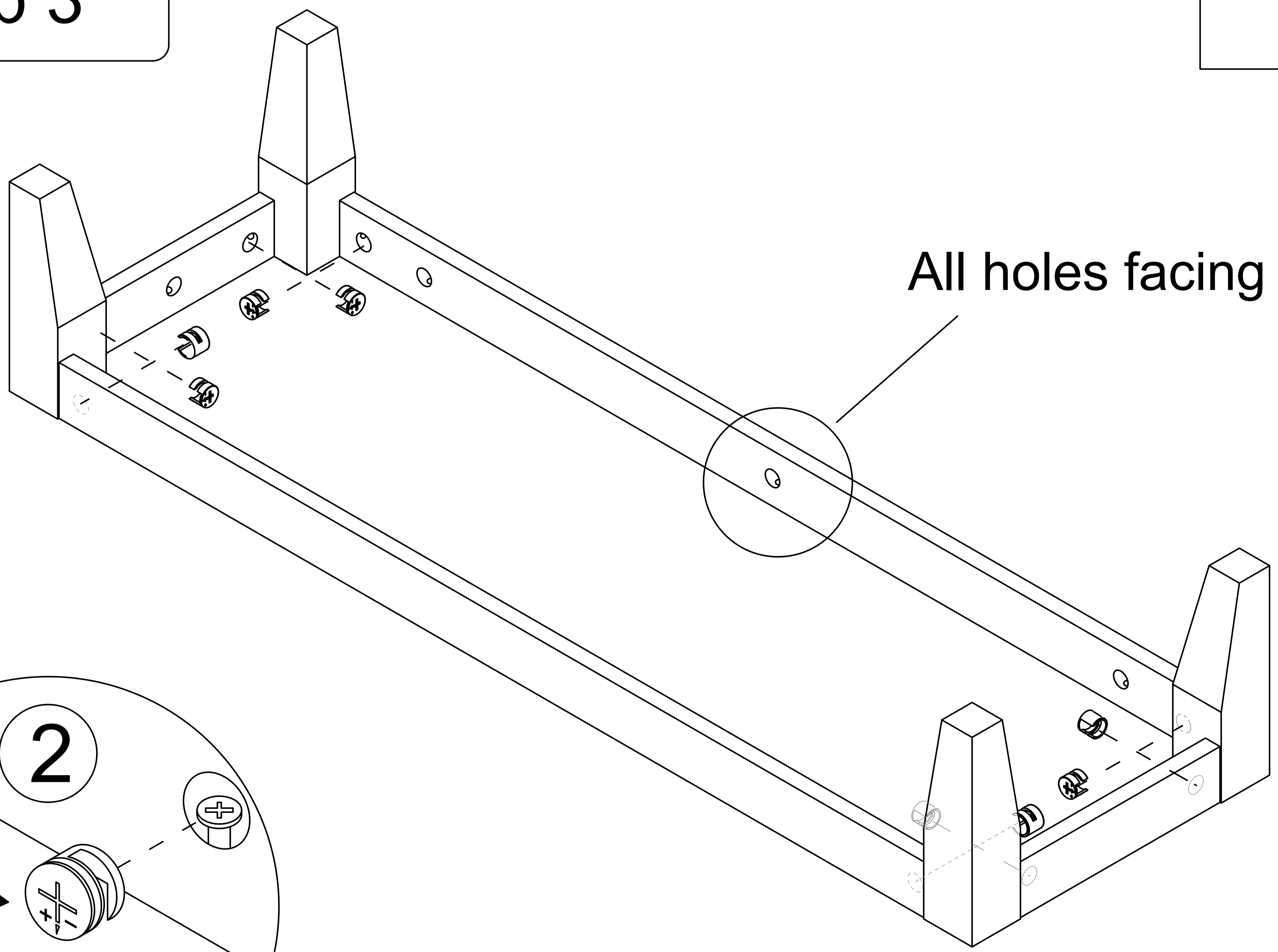
# 4

Step 2



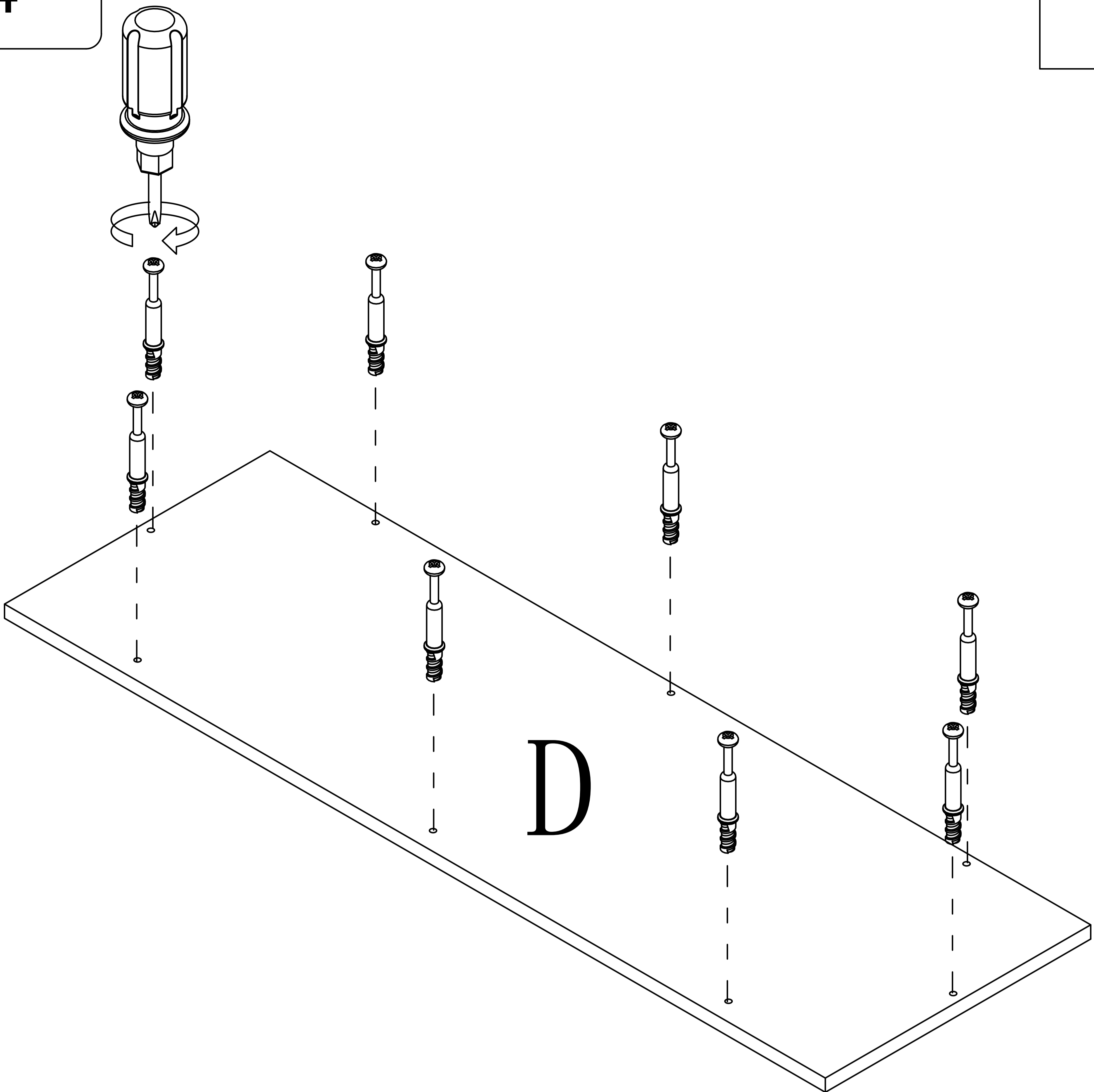
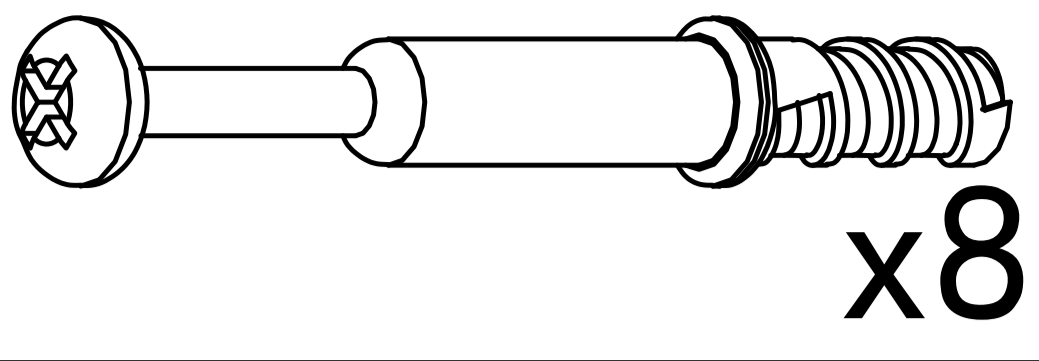
Step 3

②  x8



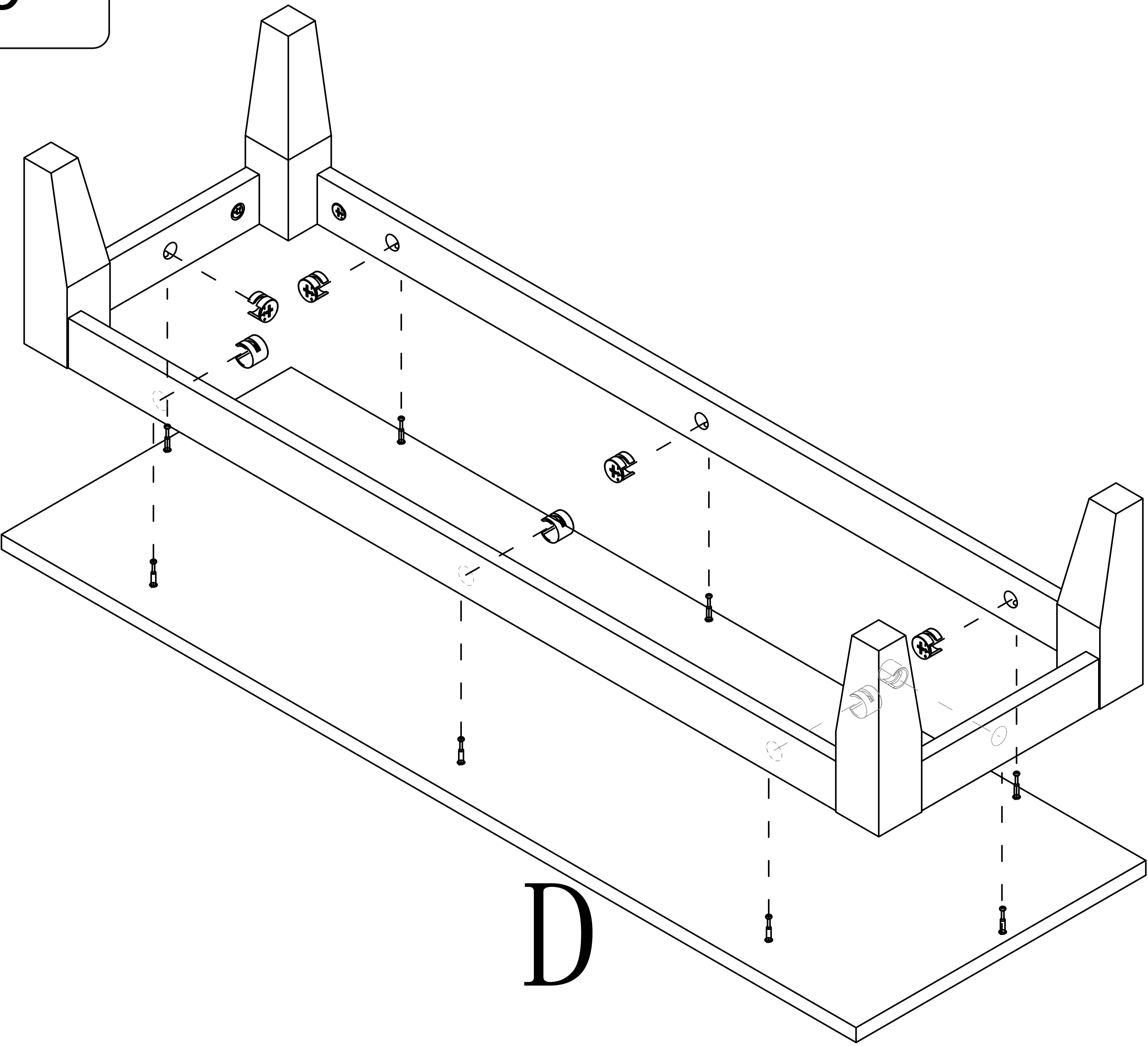
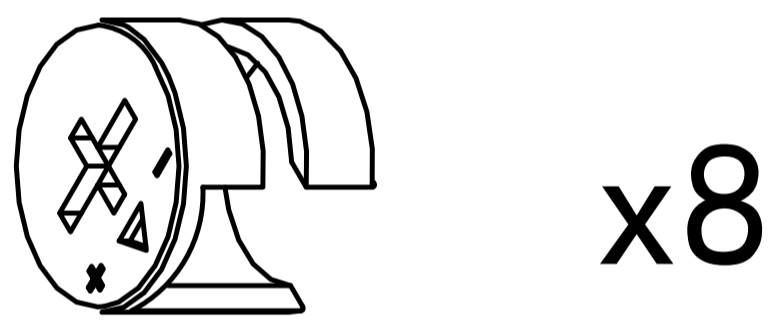
Step 4

1

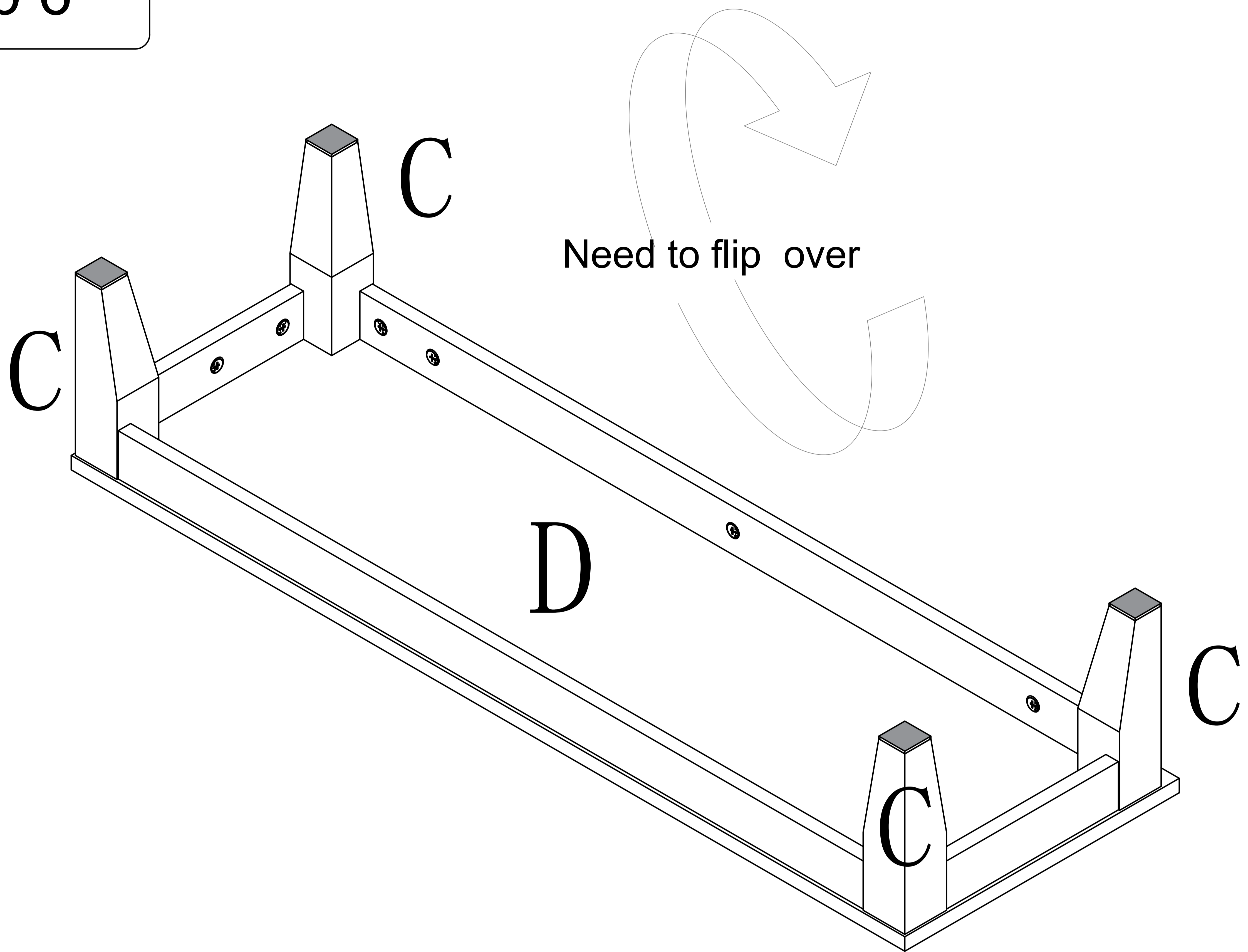


Step 5

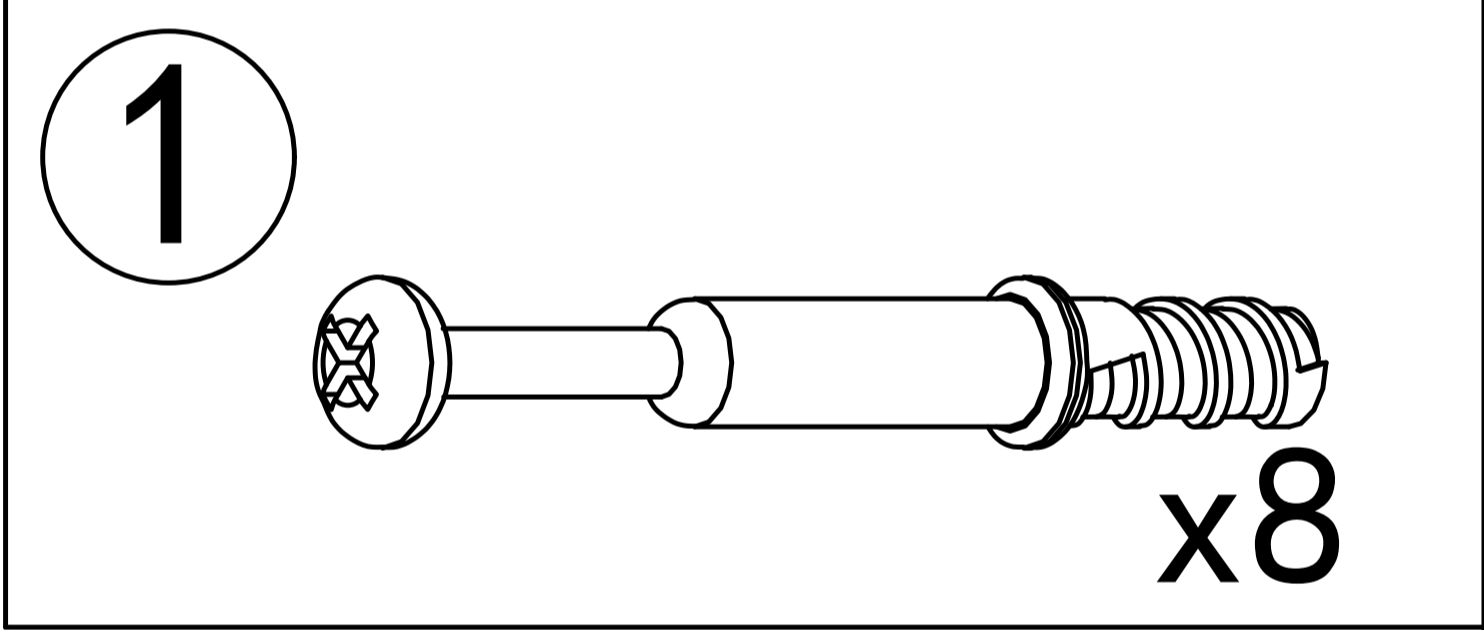
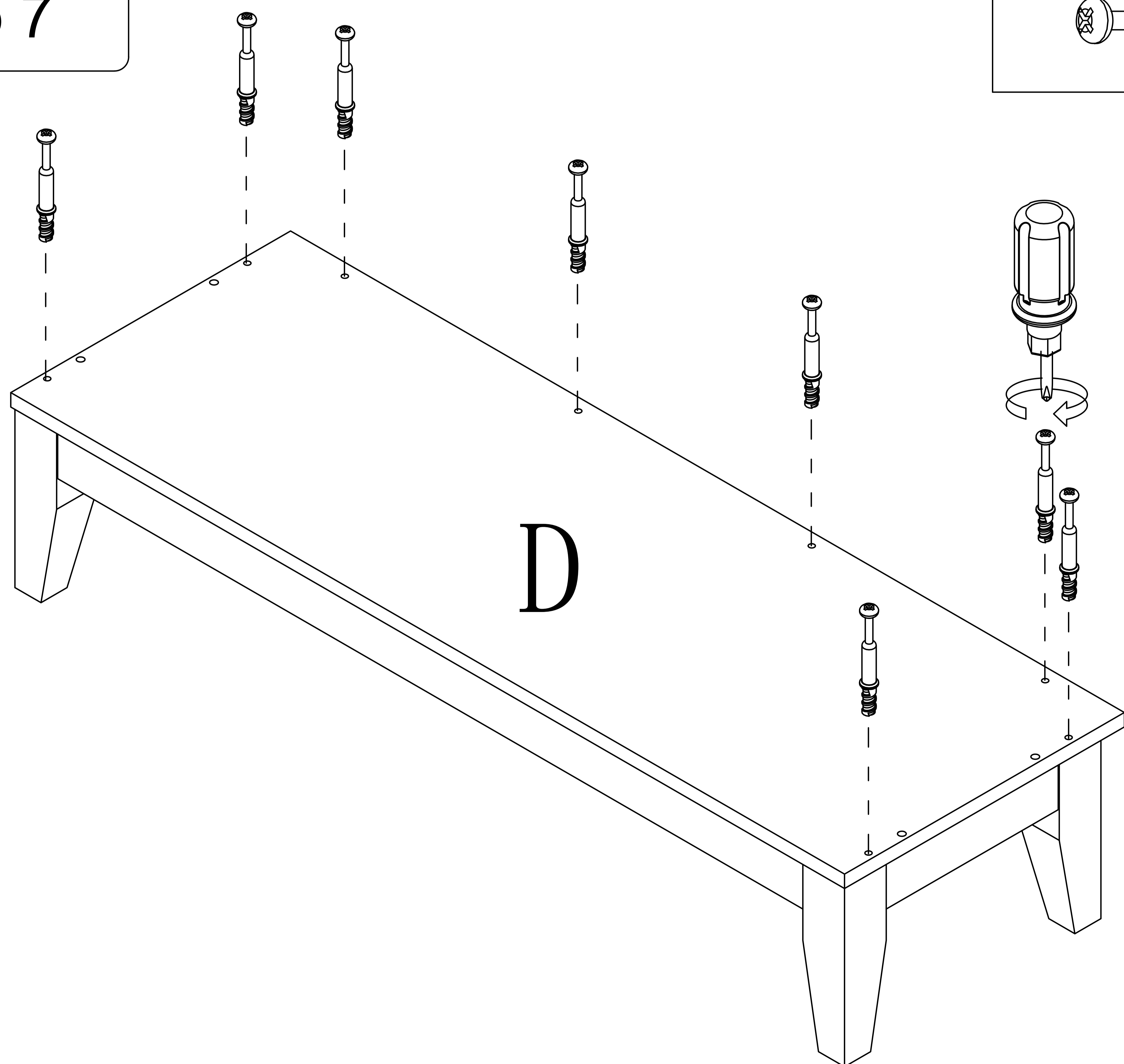
2



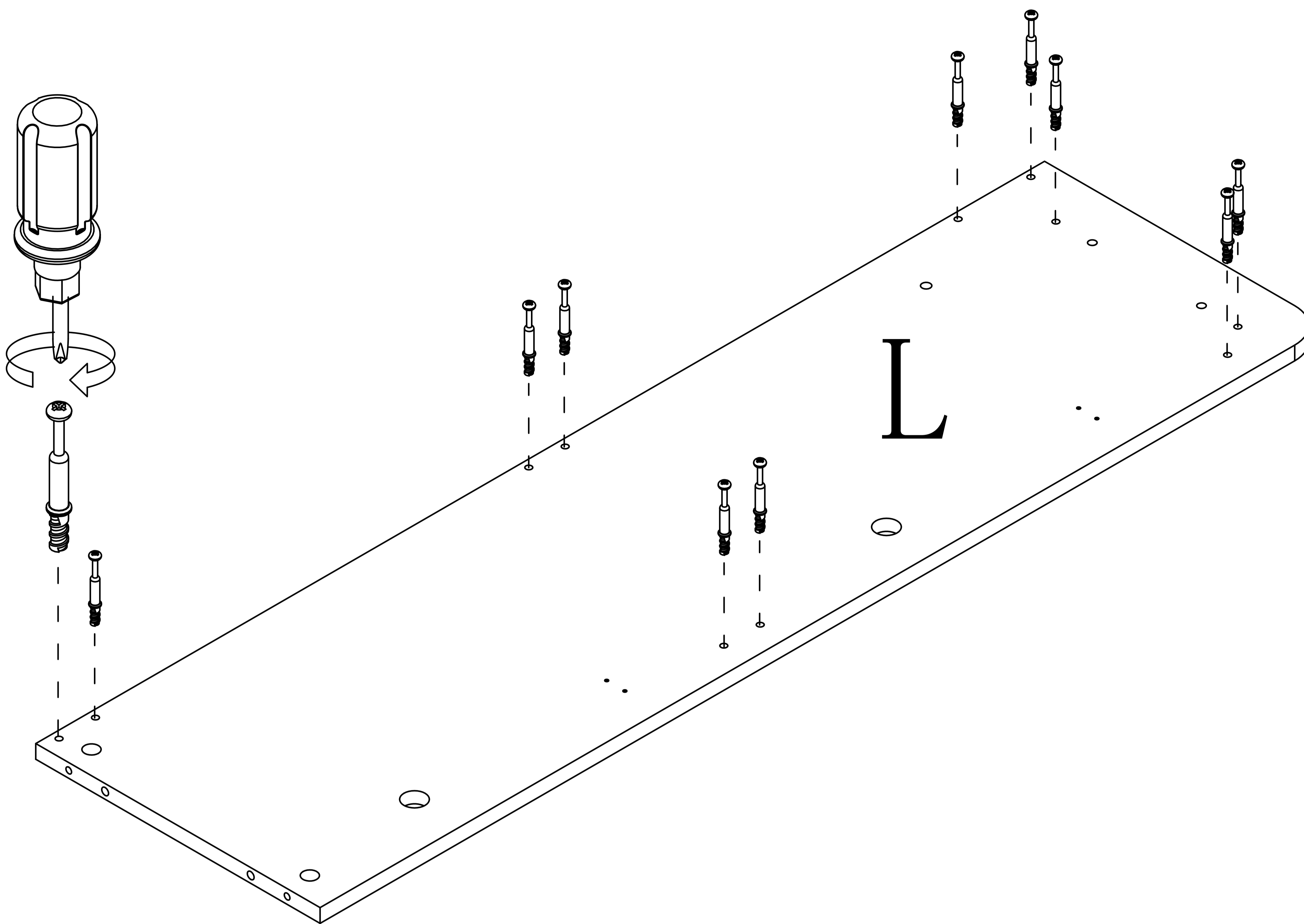
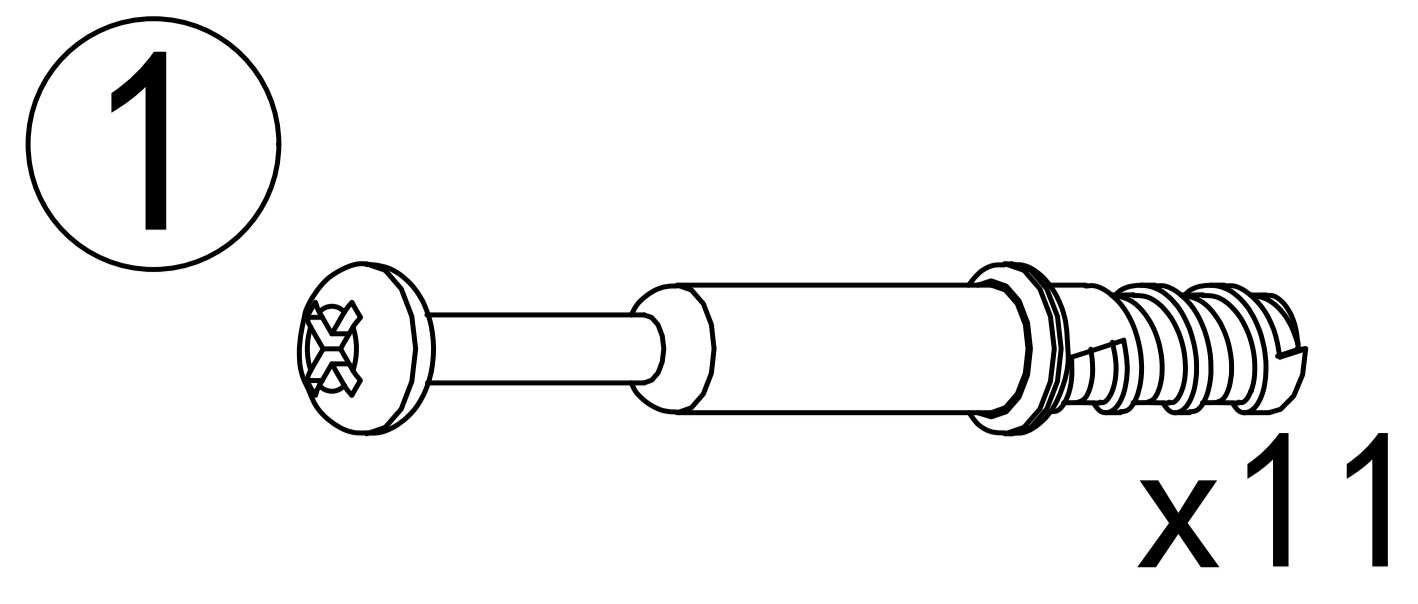
Step 6



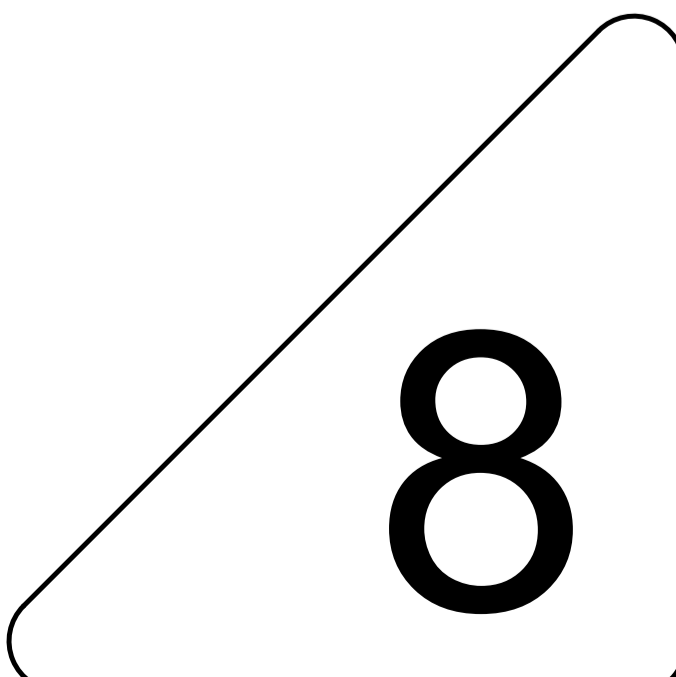
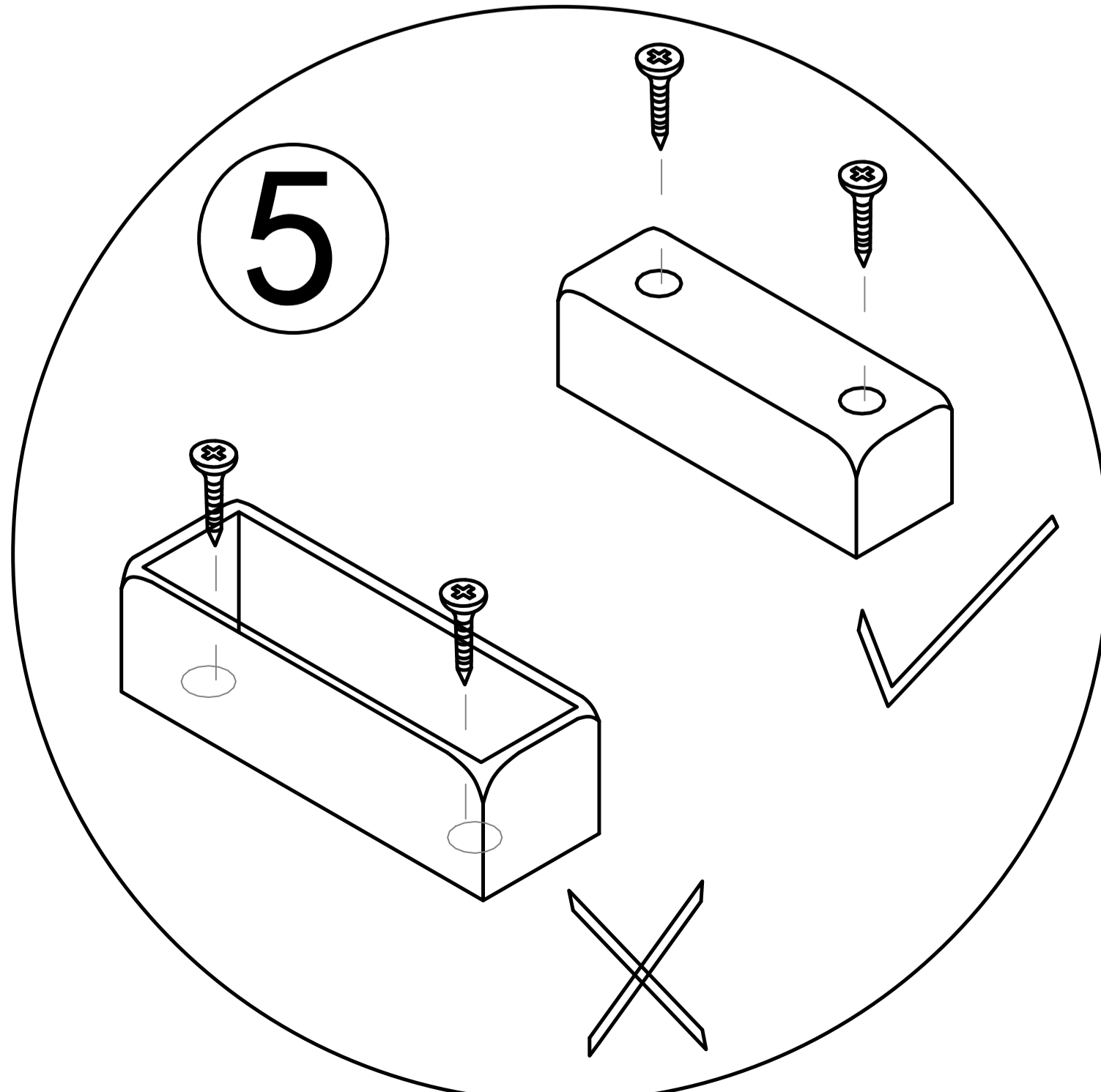
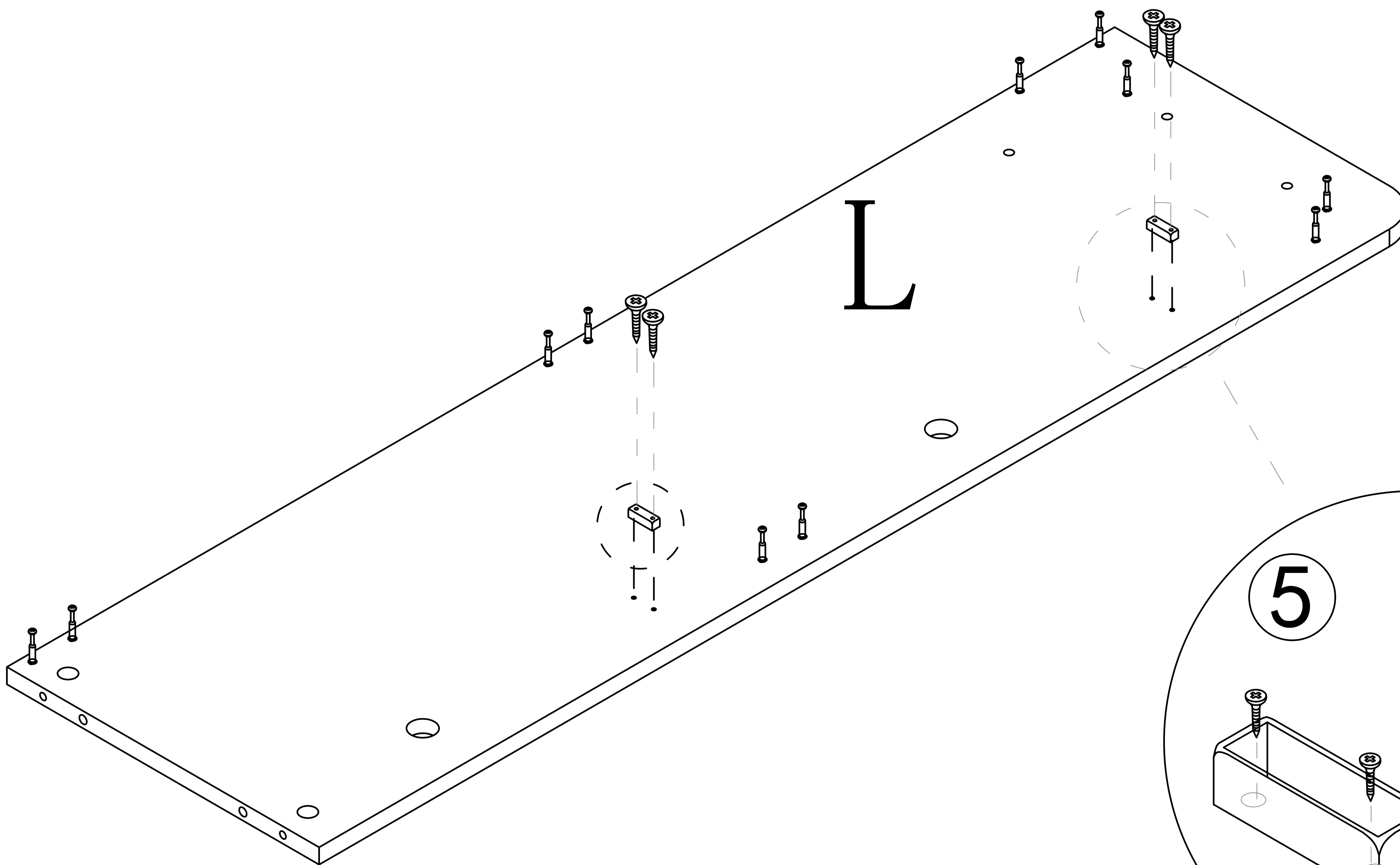
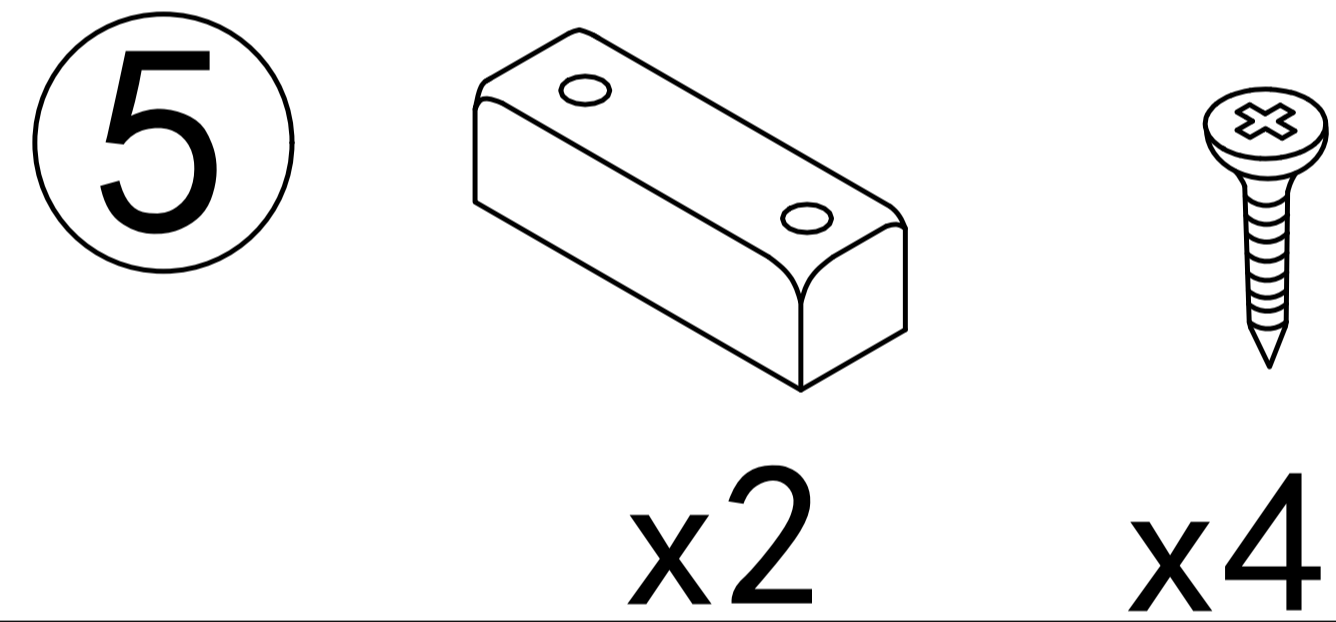
Step 7



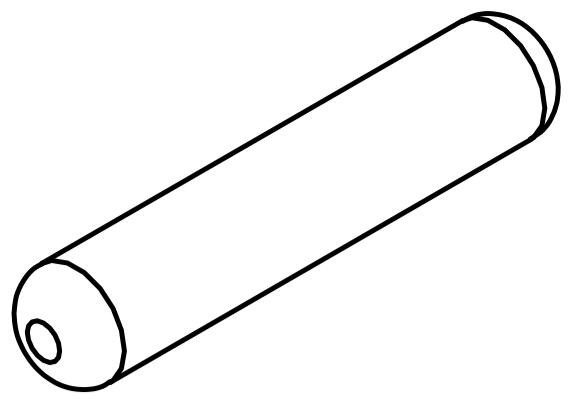
# Step 8

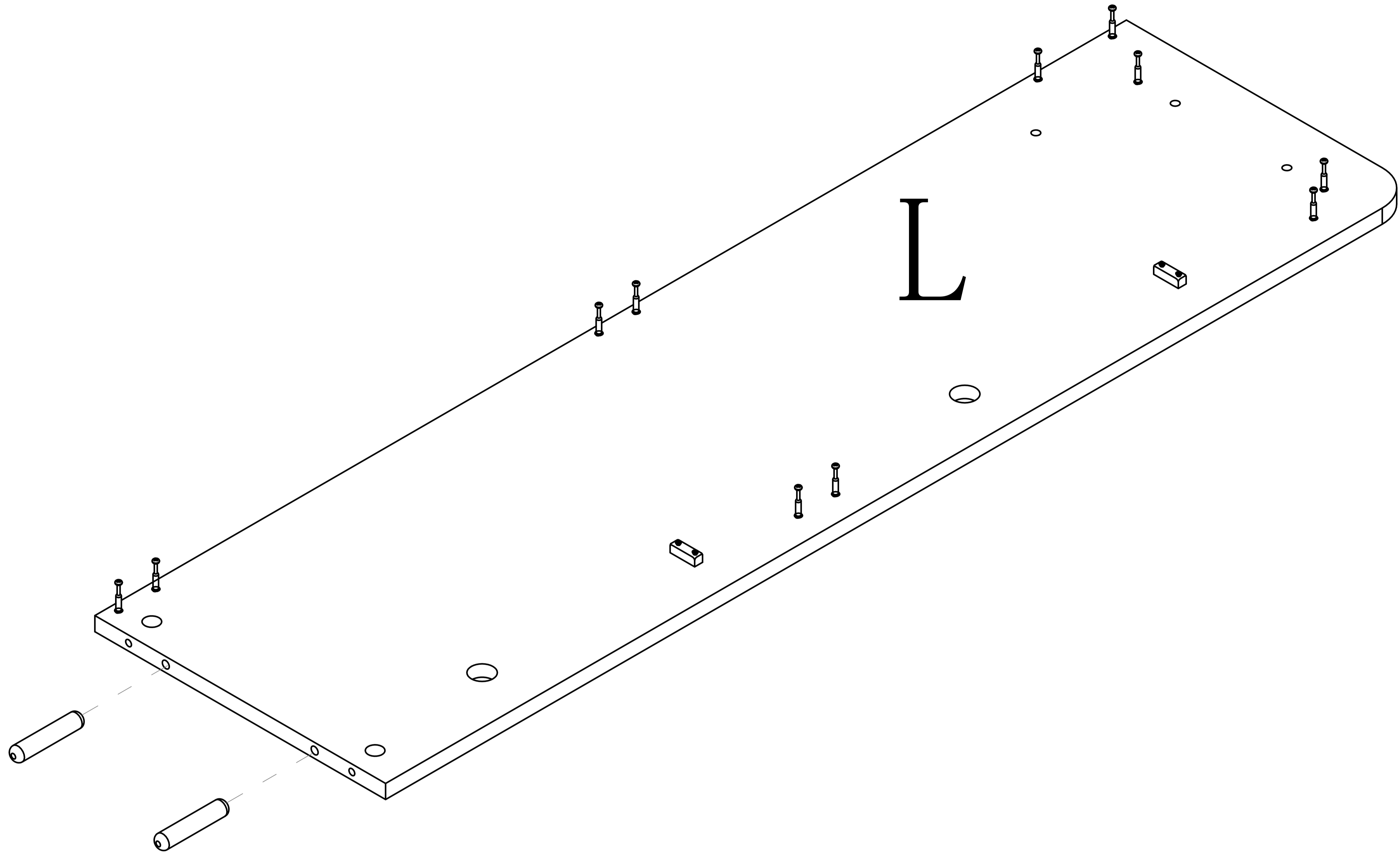


# Step 9

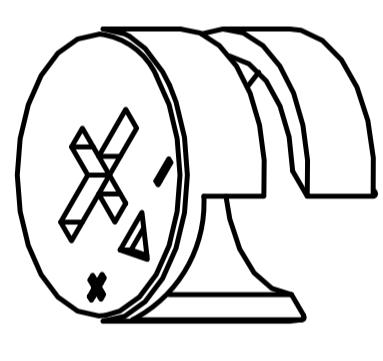


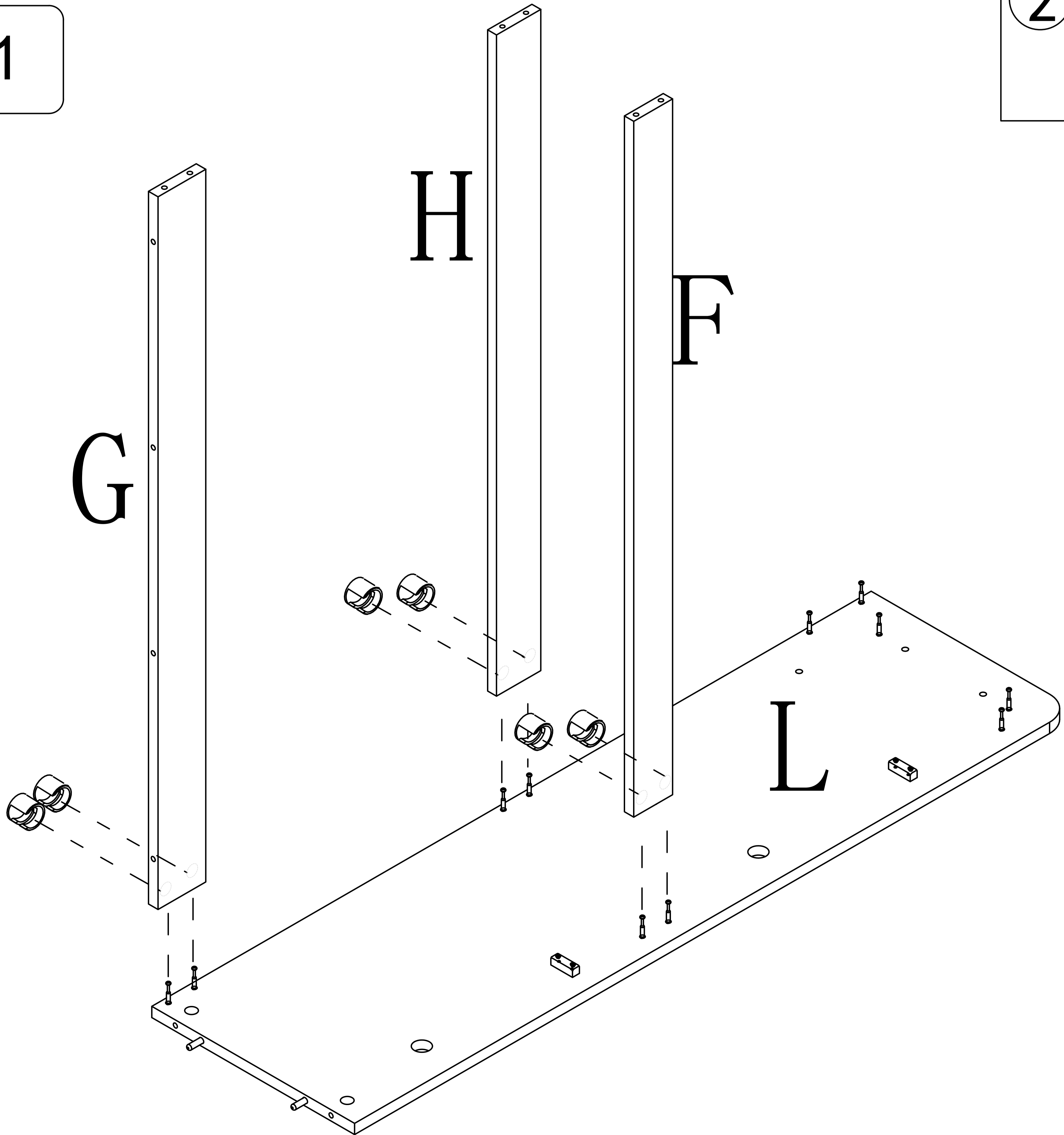
Step 10

3  x2

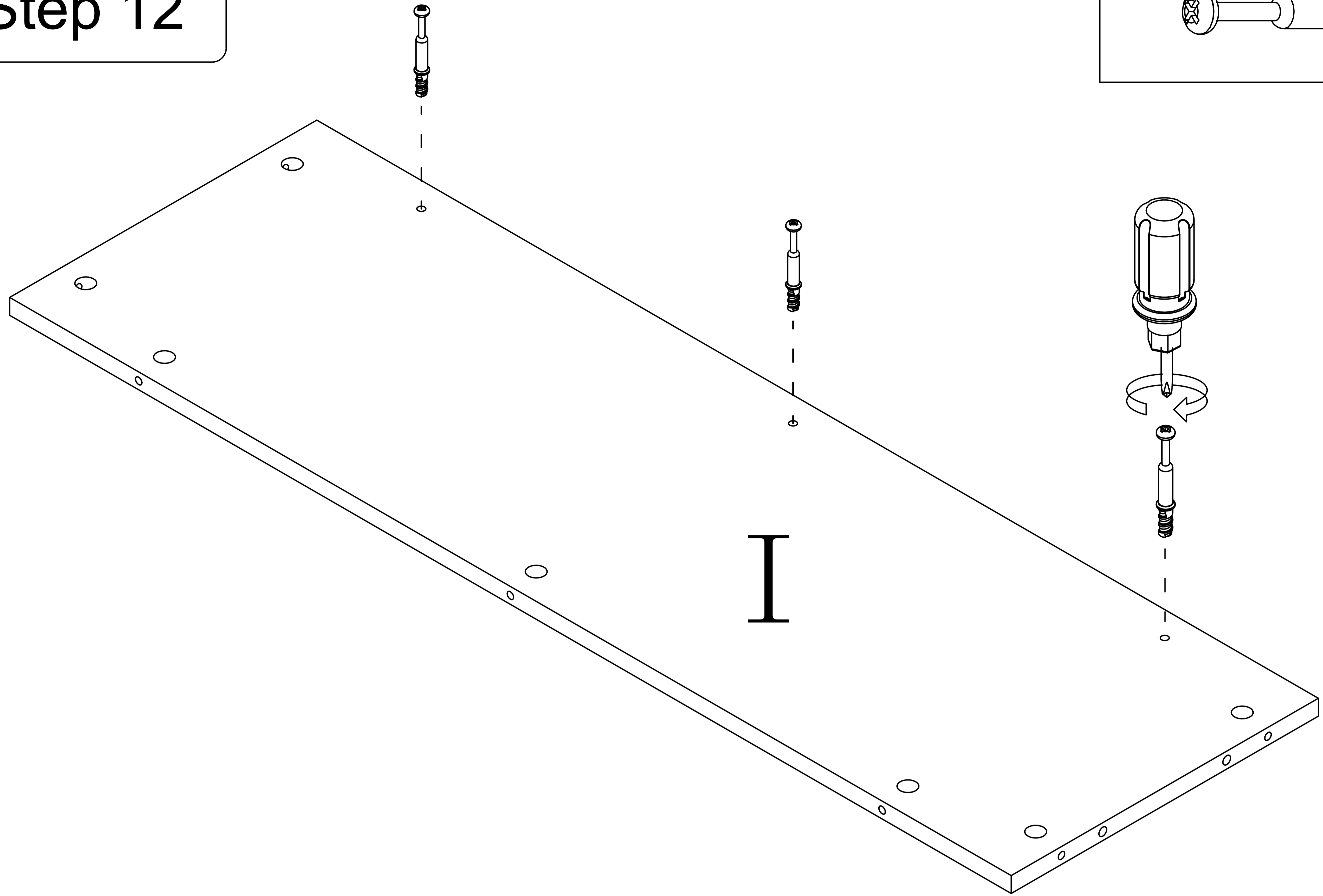
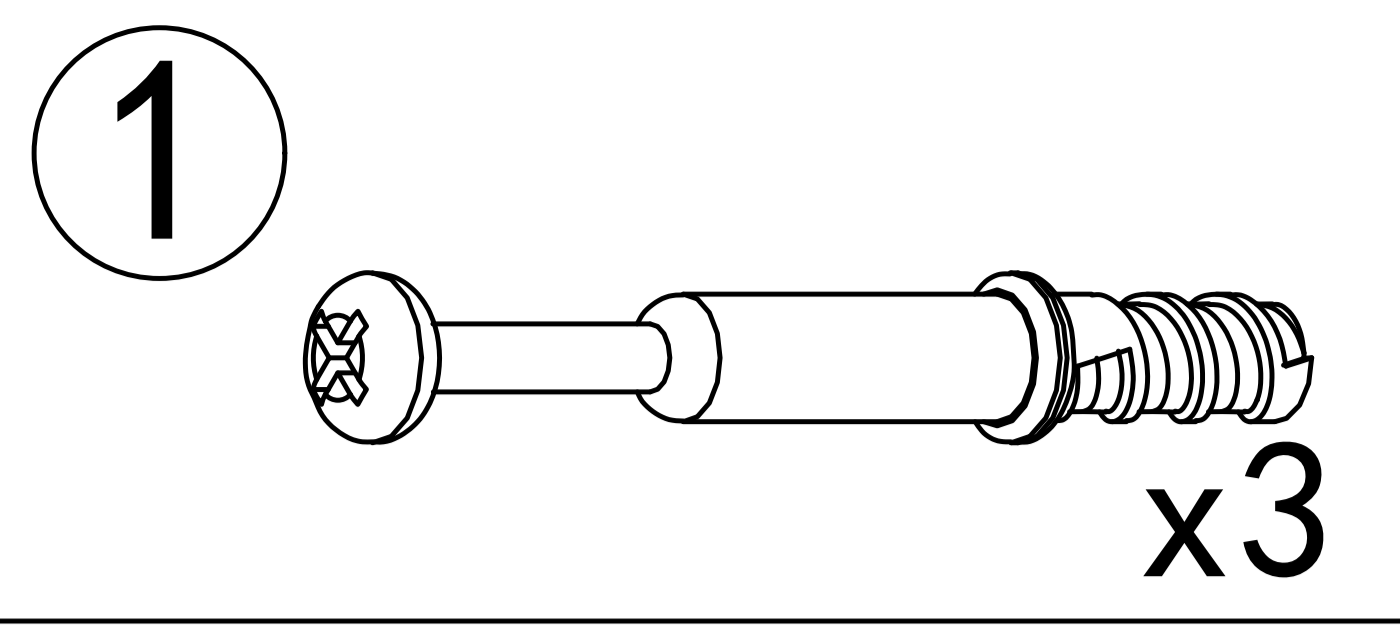


Step 11

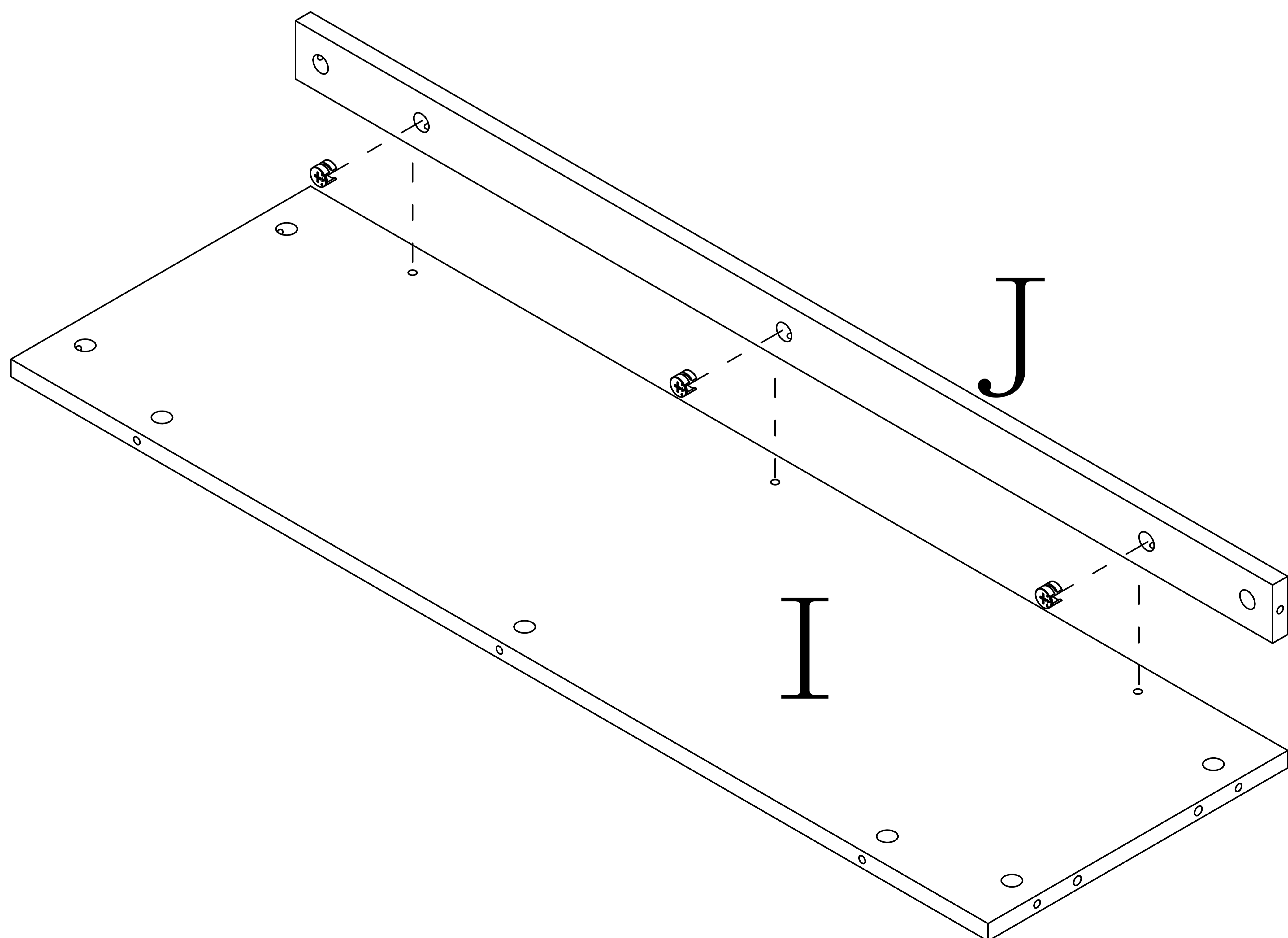
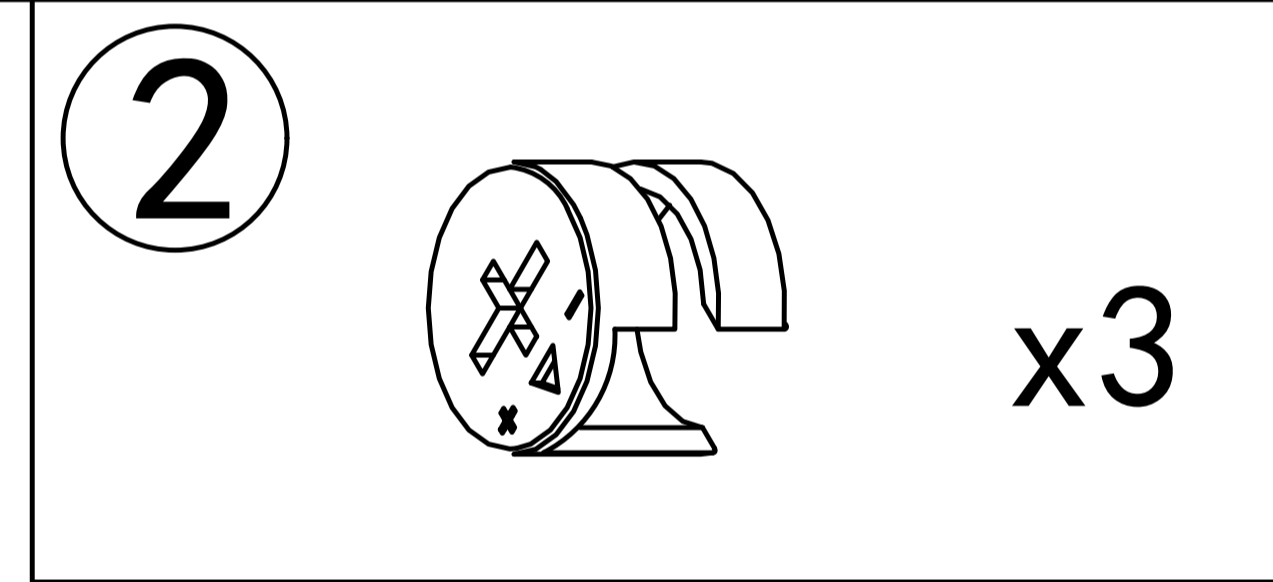
2  x6



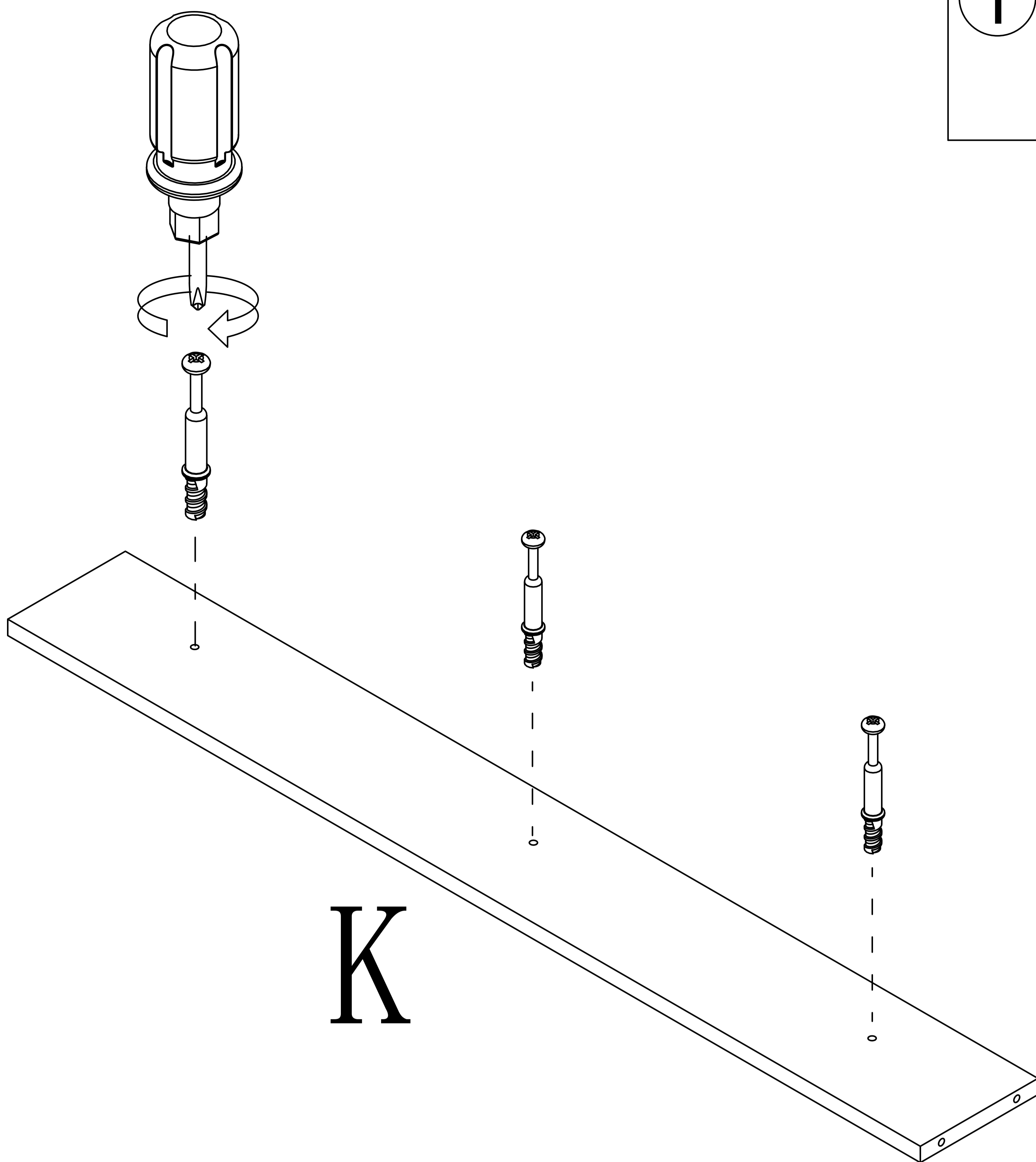
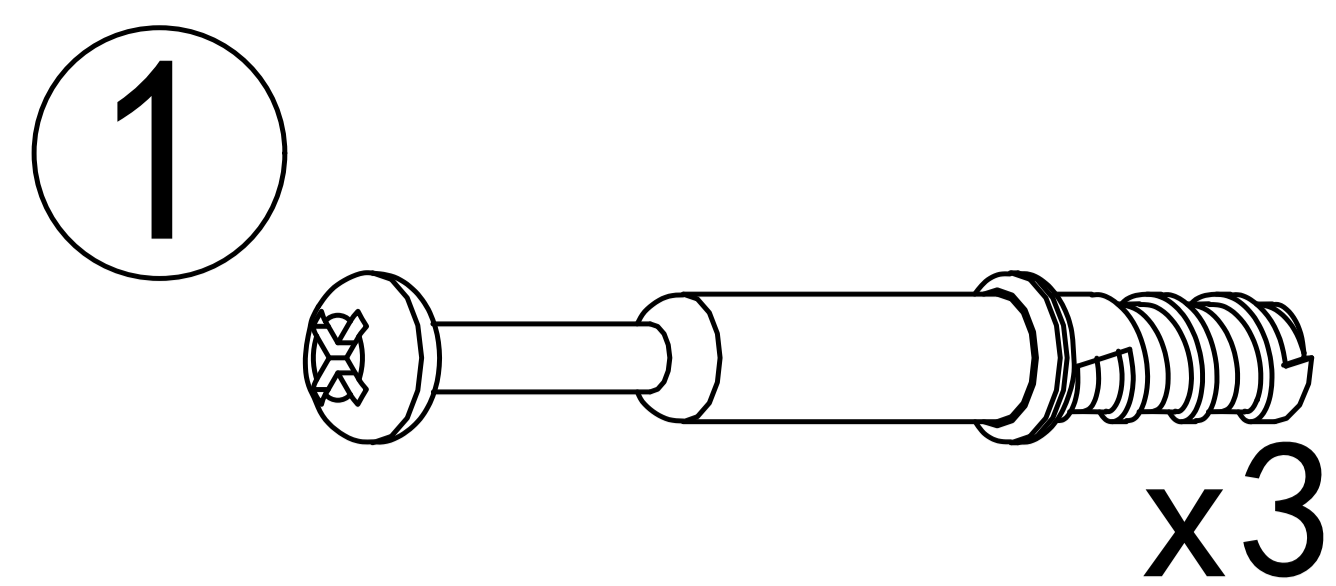
# Step 12



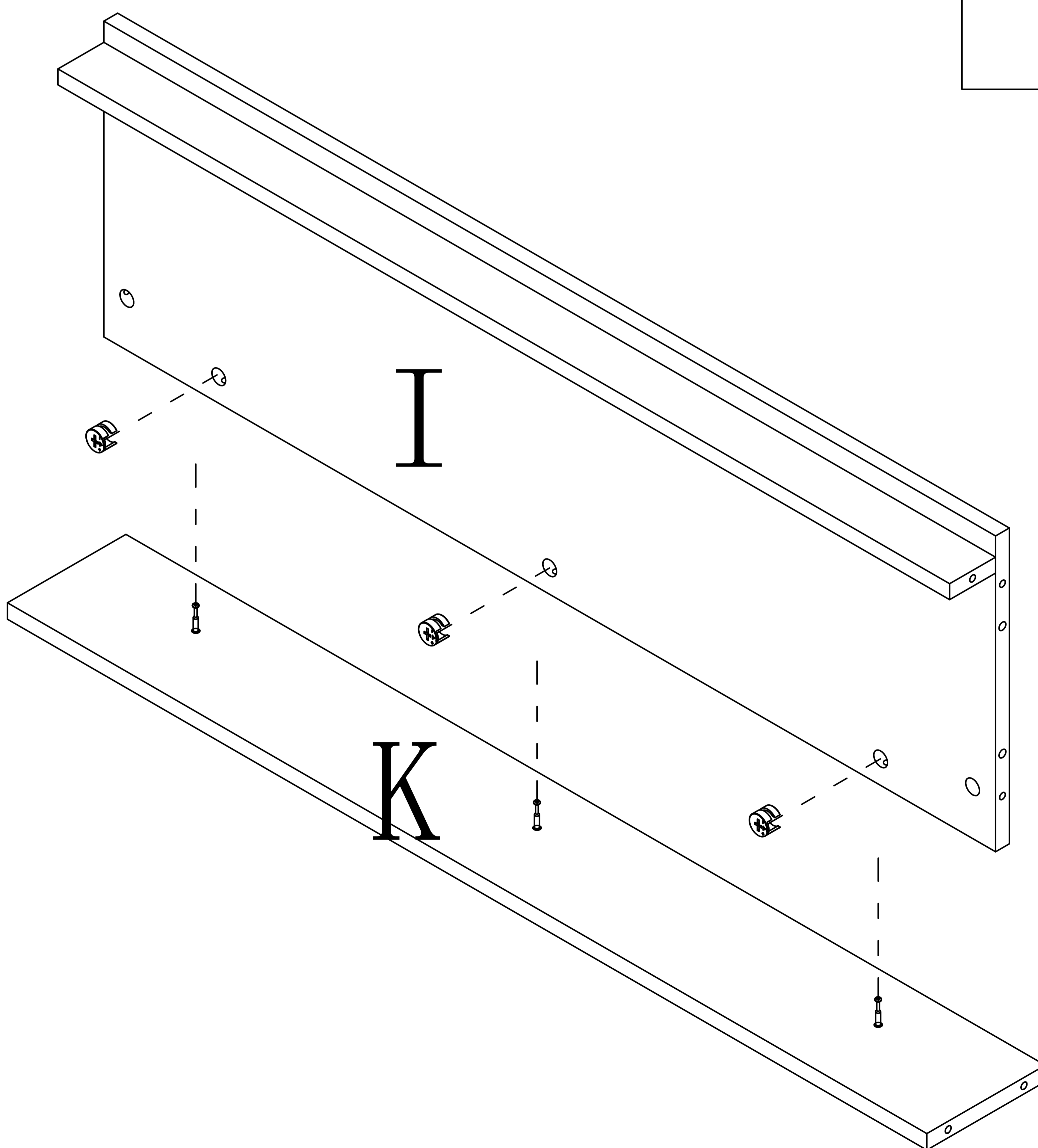
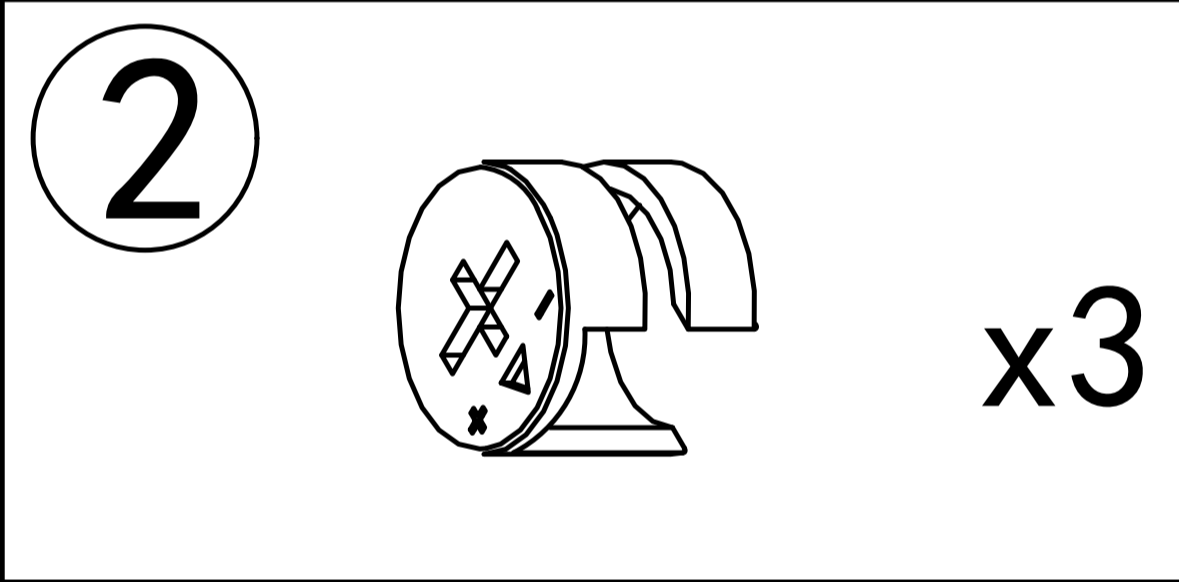
# Step 13



Step 14

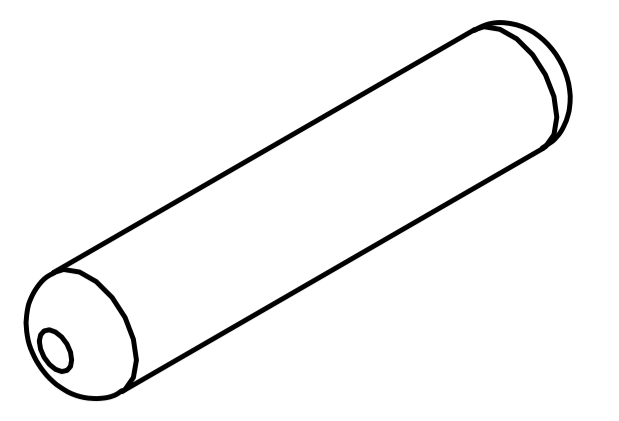


Step 15

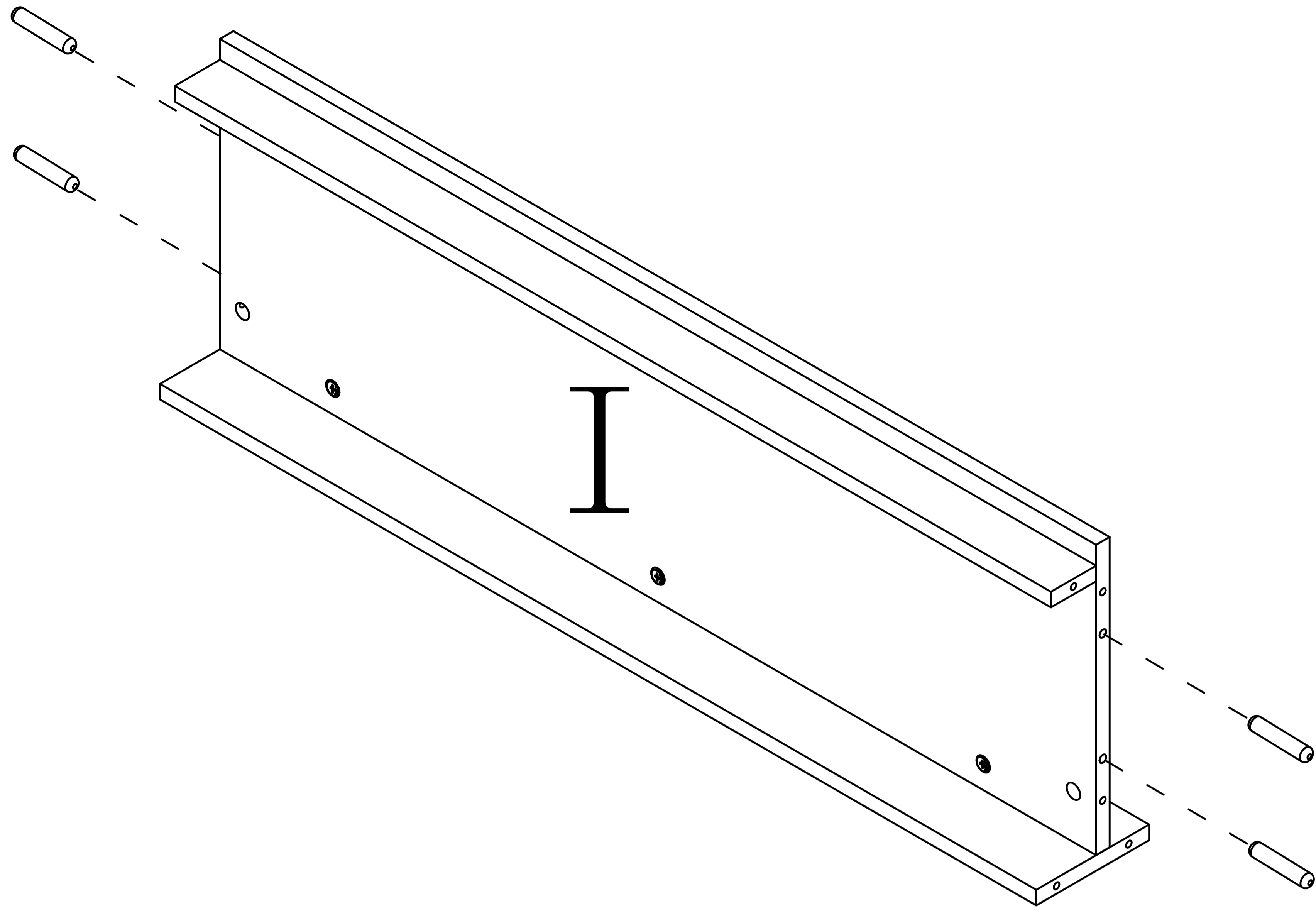


Step 16

3

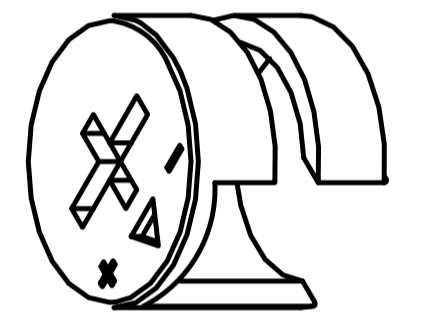


x4

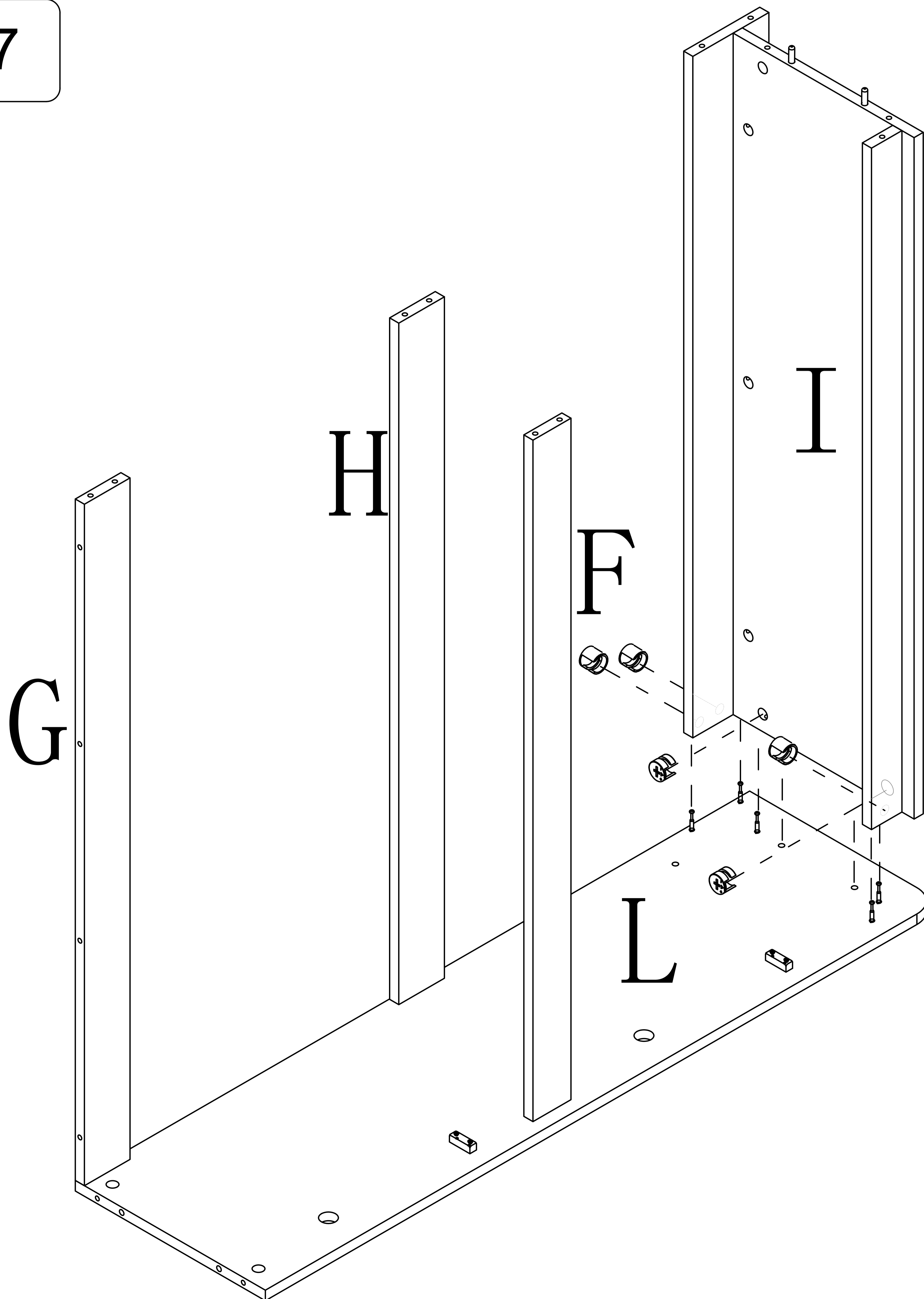


Step 17

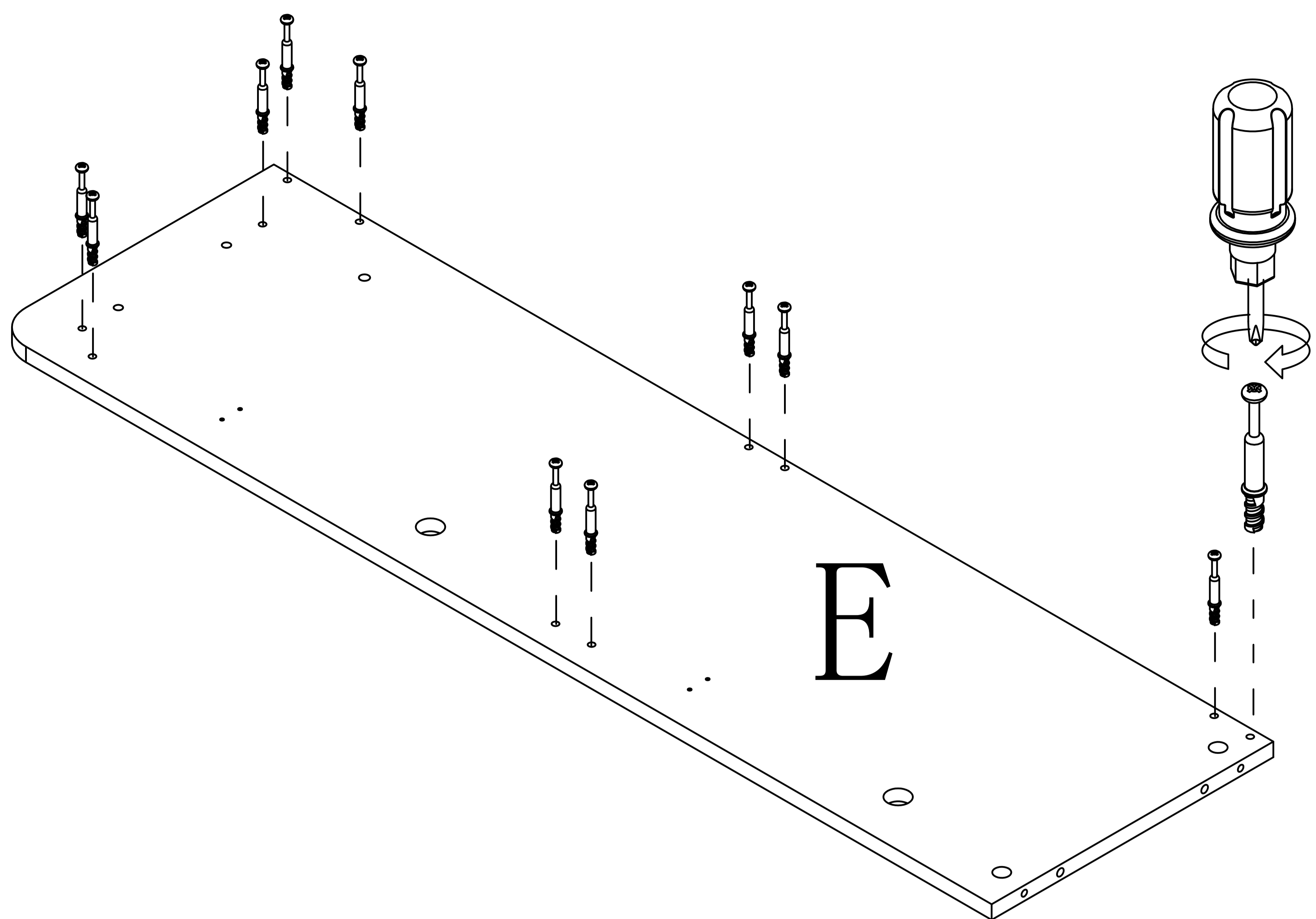
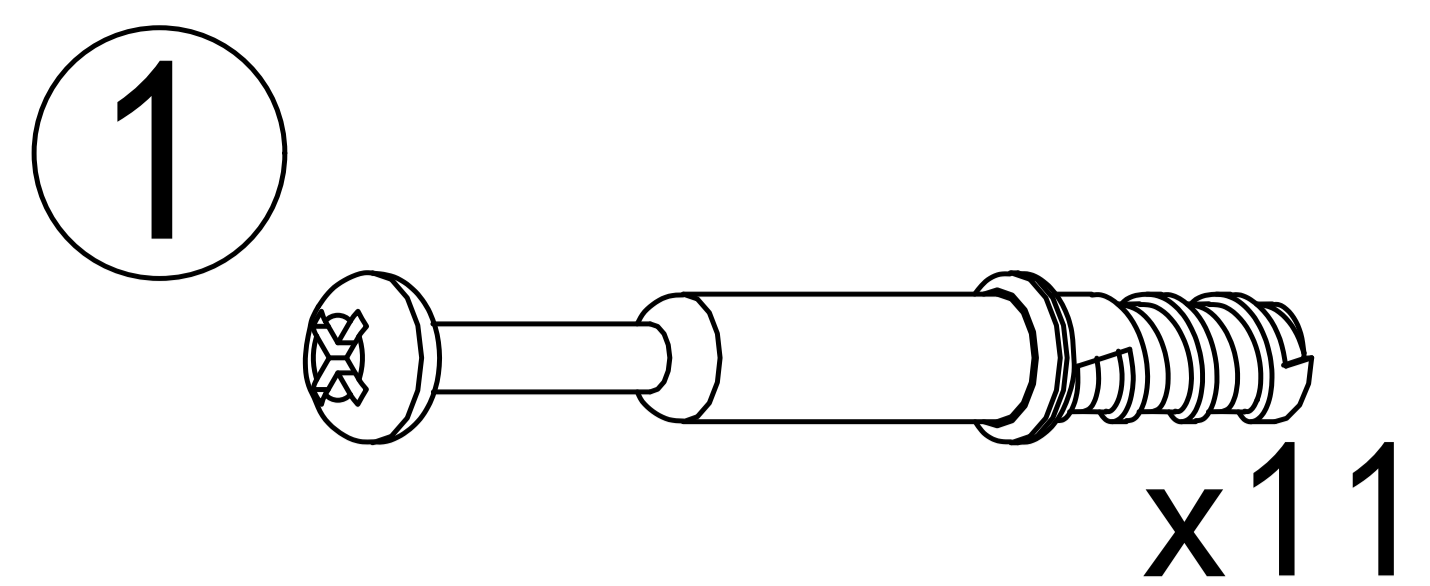
2



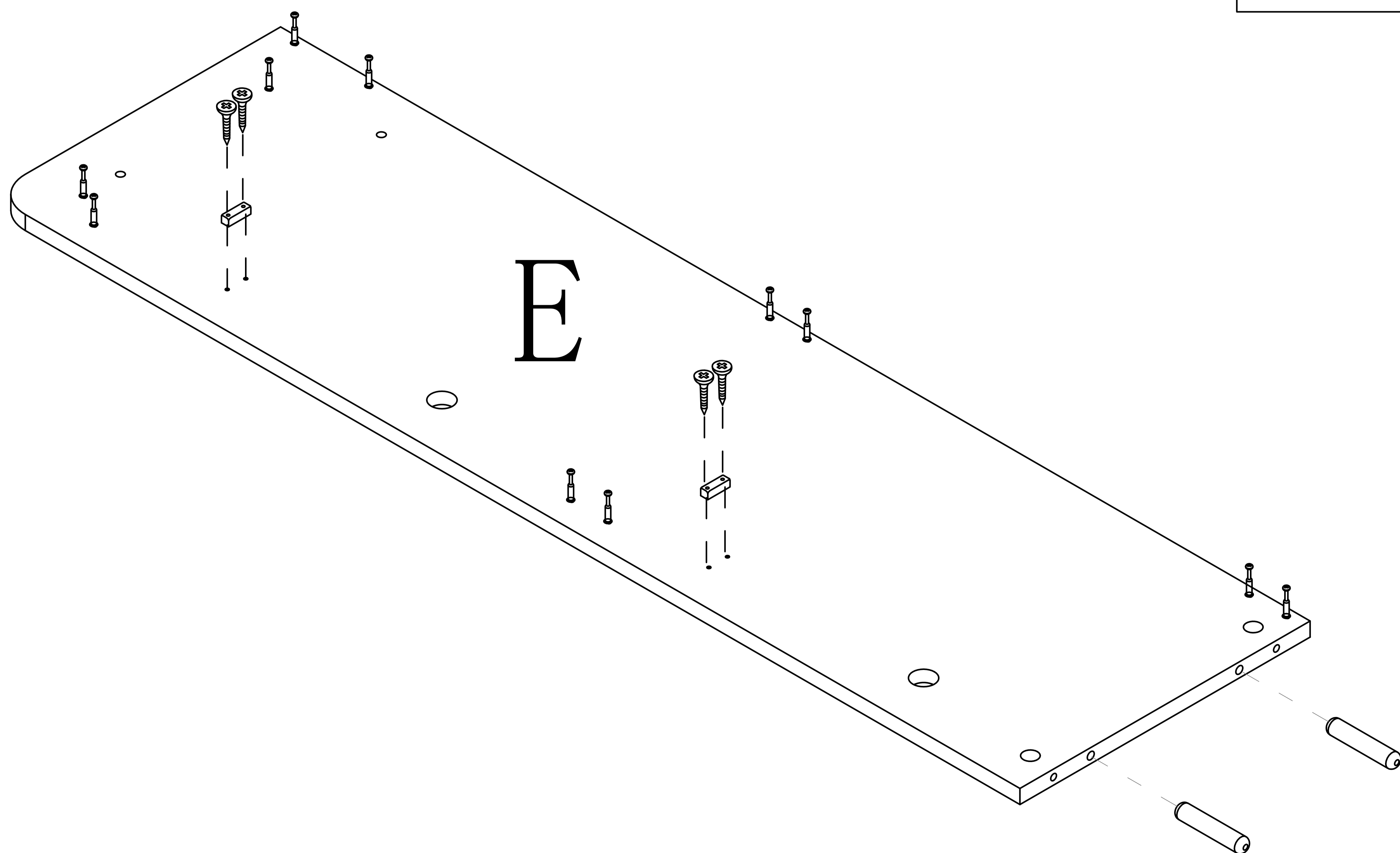
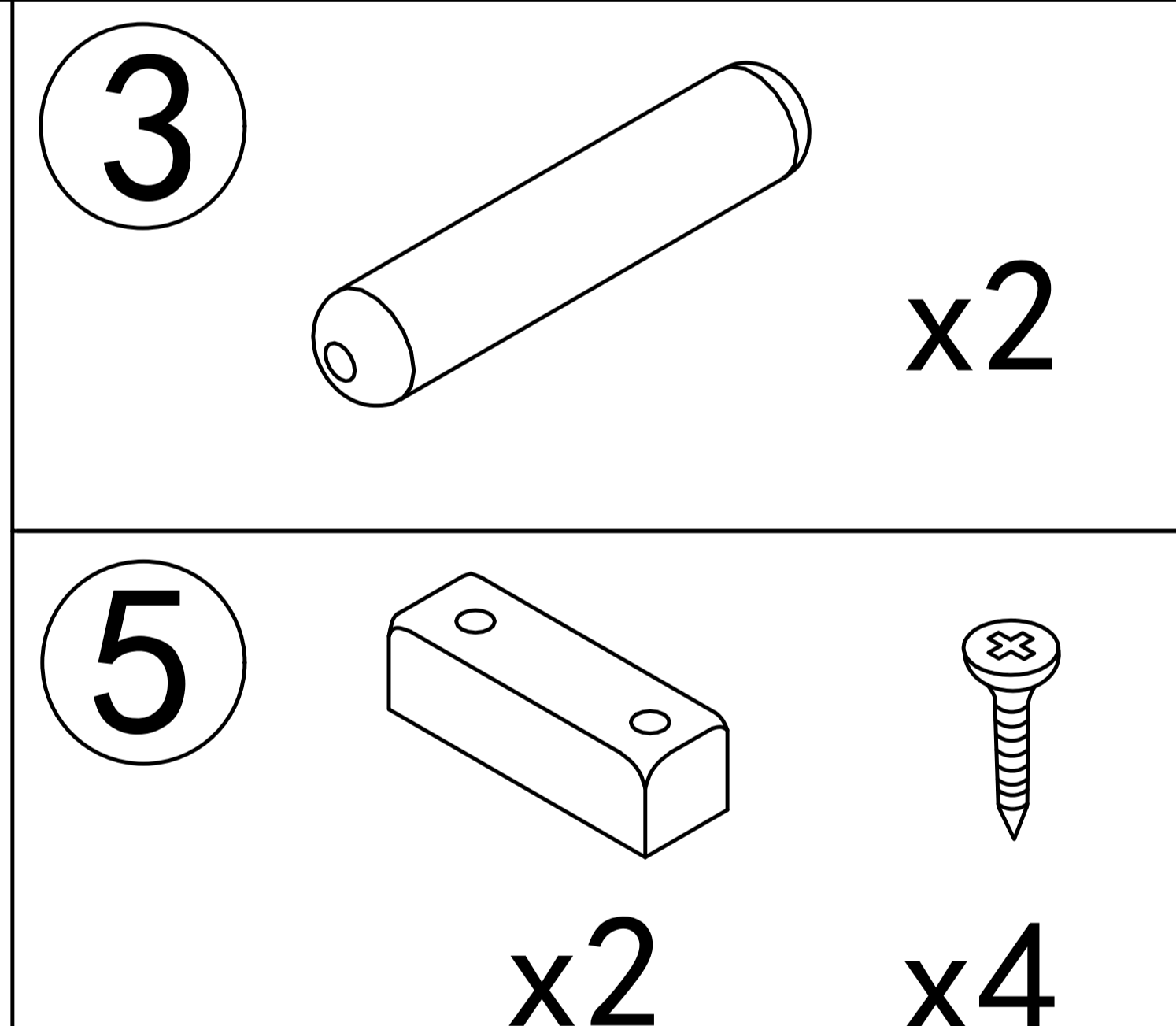
x5



# Step 18

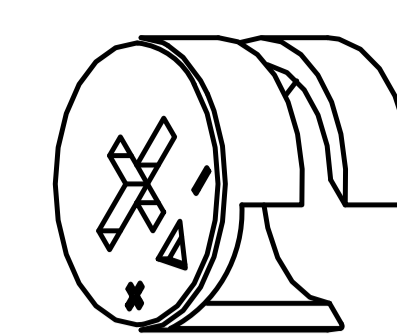


# Step 19

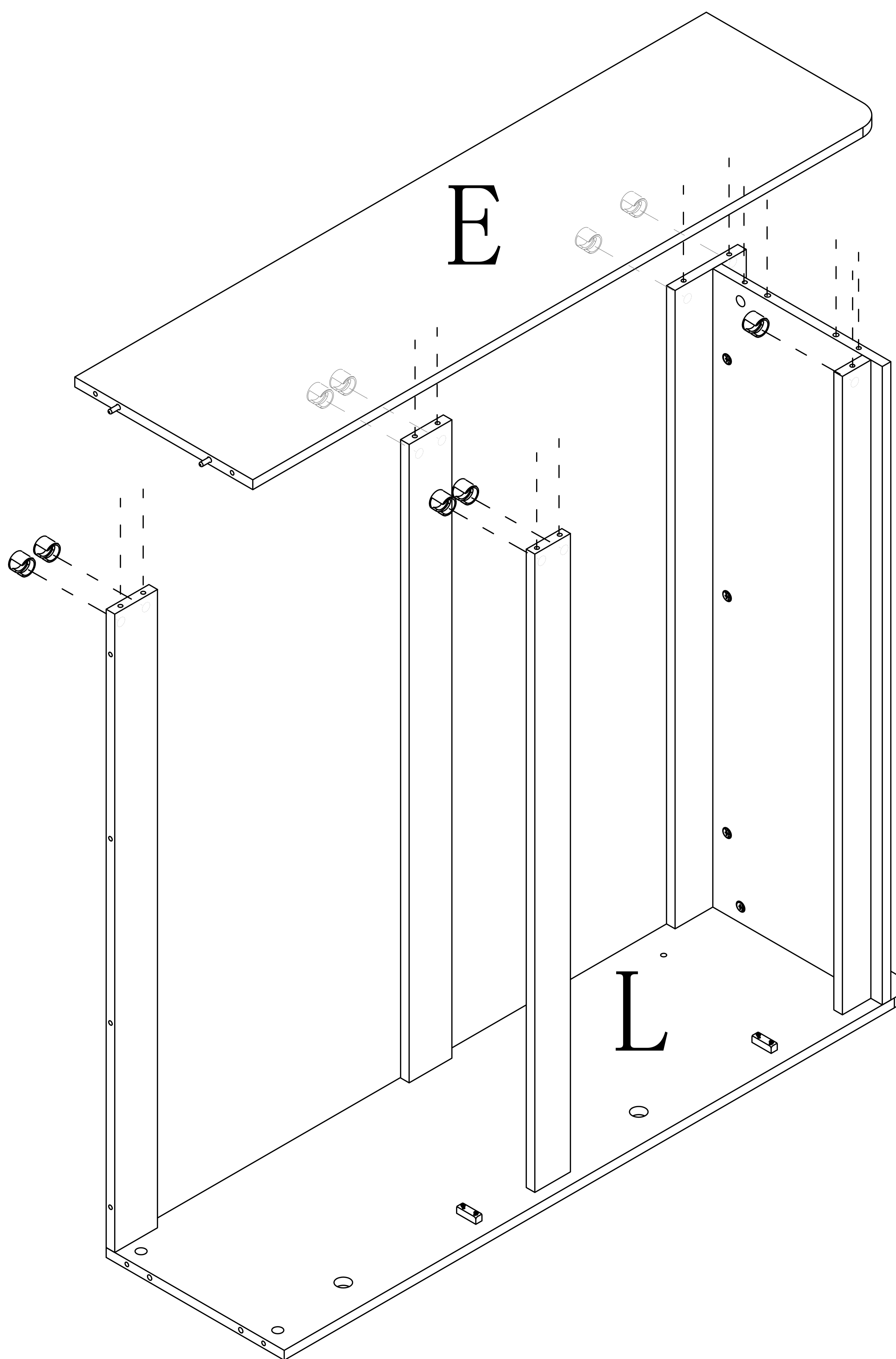


# Step 20

2

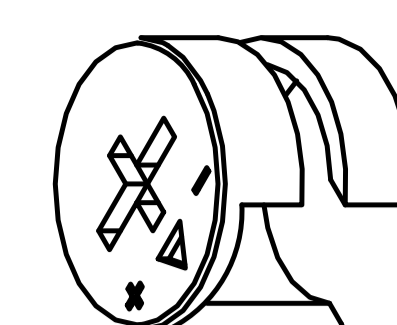


x9

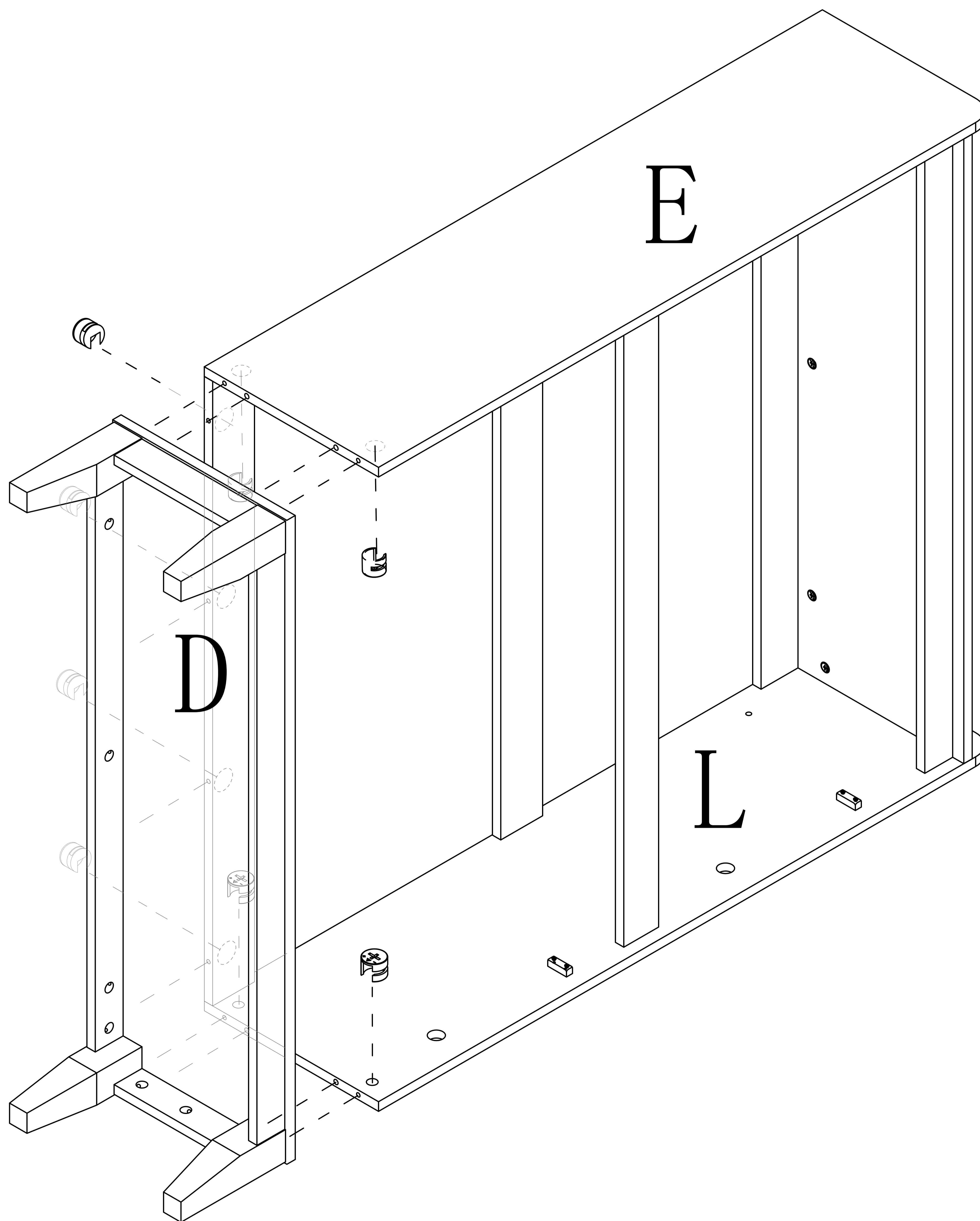


Step 21

2



x8



Dear Customer,

To ensure the structural stability and safety of your shoe cabinet during use, we have included a dedicated anti-tip hardware kit with your product. Installation of this kit is not mandatory, but we strongly recommend it for the following reasons:

**Enhanced Stability, Prevents Tipping:** When placing items (especially heavier items on upper shelves), opening/closing drawers, or using doors, the shoe cabinet may experience a forward-leaning force. The anti-tip hardware securely anchors the cabinet to the wall, effectively preventing the risk of accidental tipping.

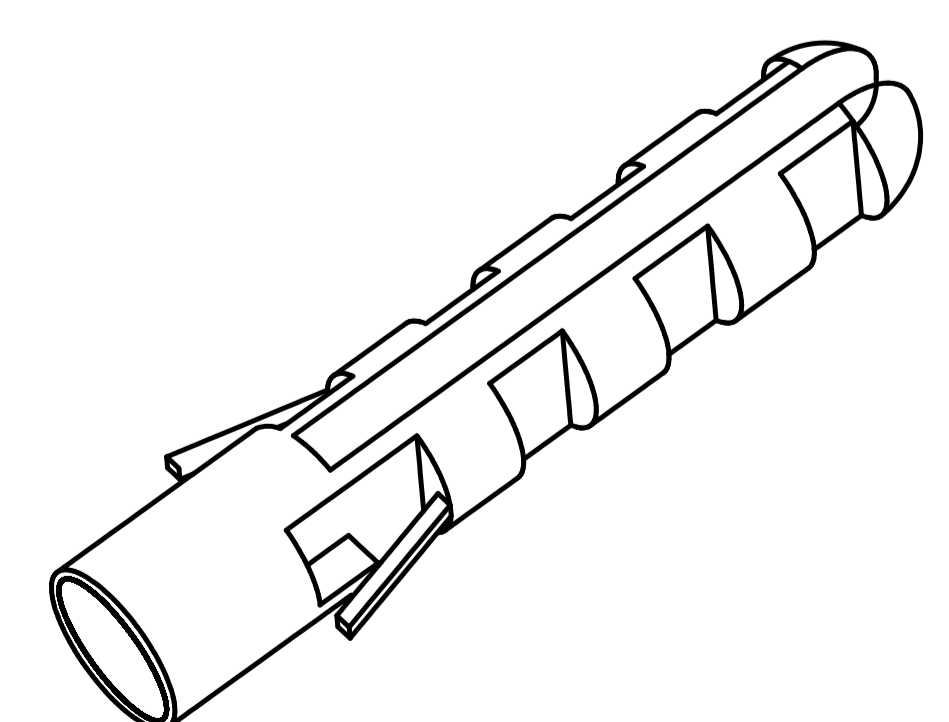
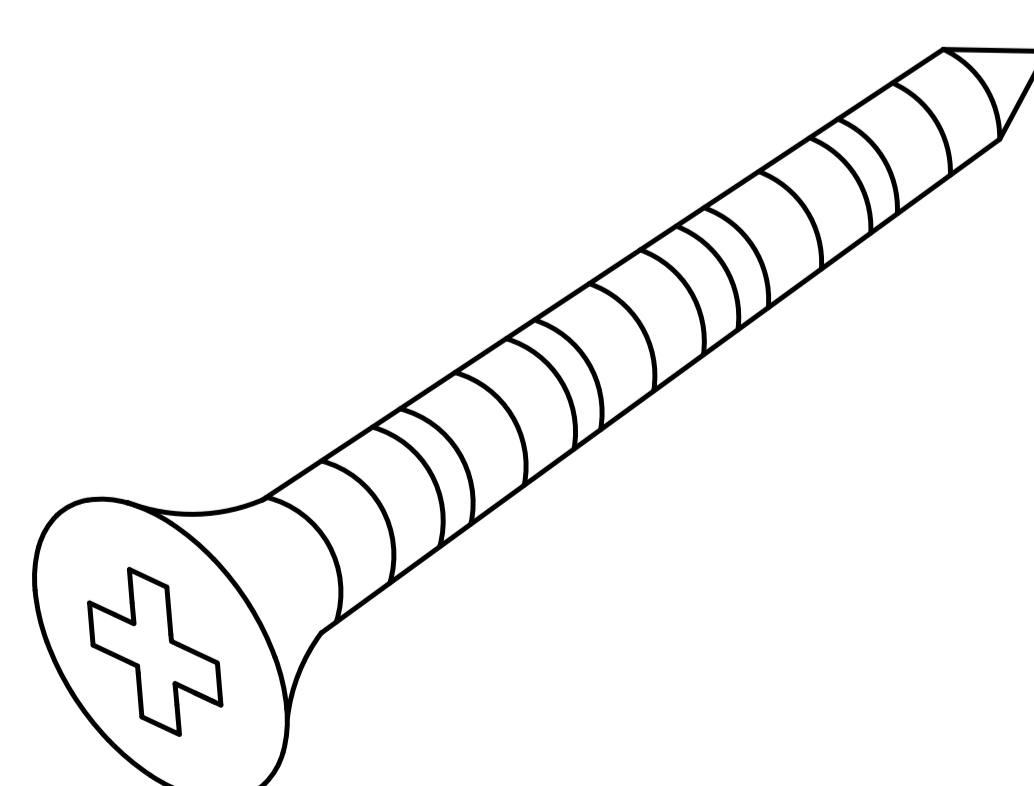
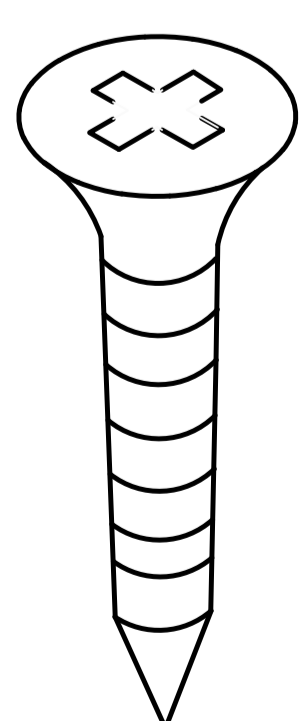
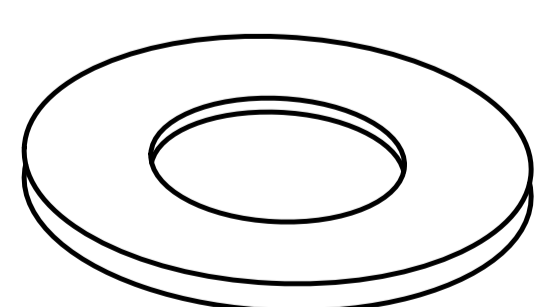
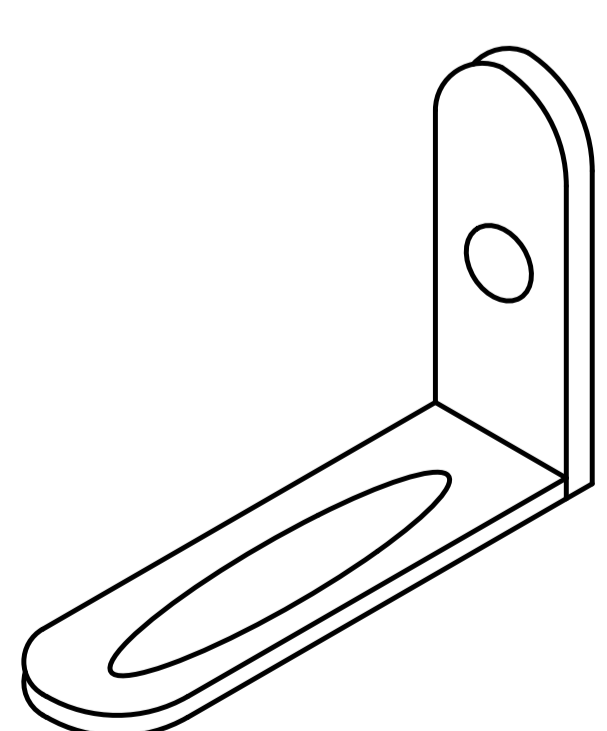
**Improved Safety:** Installing this kit is an important safety measure for your home. This is especially crucial if the cabinet is tall, has drawers, or if there are children or pets in the household, as it significantly reduces the risk of personal injury or property damage caused by furniture tipping over.

**Ensures Long-Term Peace of Mind:** A stable structure is fundamental for the long-term durability and proper function of furniture. The anti-tip hardware ensures your shoe cabinet remains stable and reliable under various conditions.

The Choice is Yours:

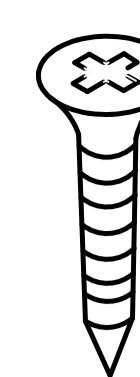
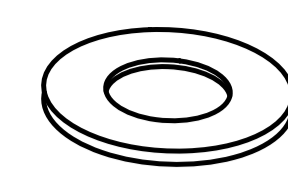
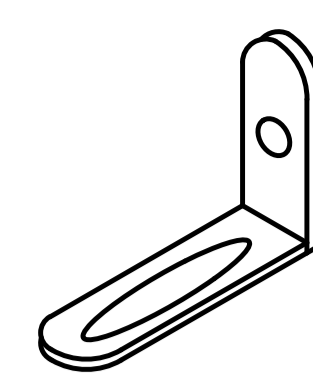
If you choose to install it: Please refer to the included anti-tip hardware installation diagram for instructions.

If you choose not to install it: Please be aware of the potential tipping hazard mentioned above and take necessary precautions during use. The installer assumes responsibility for ensuring the cabinet's stability without the hardware.



# Step 22

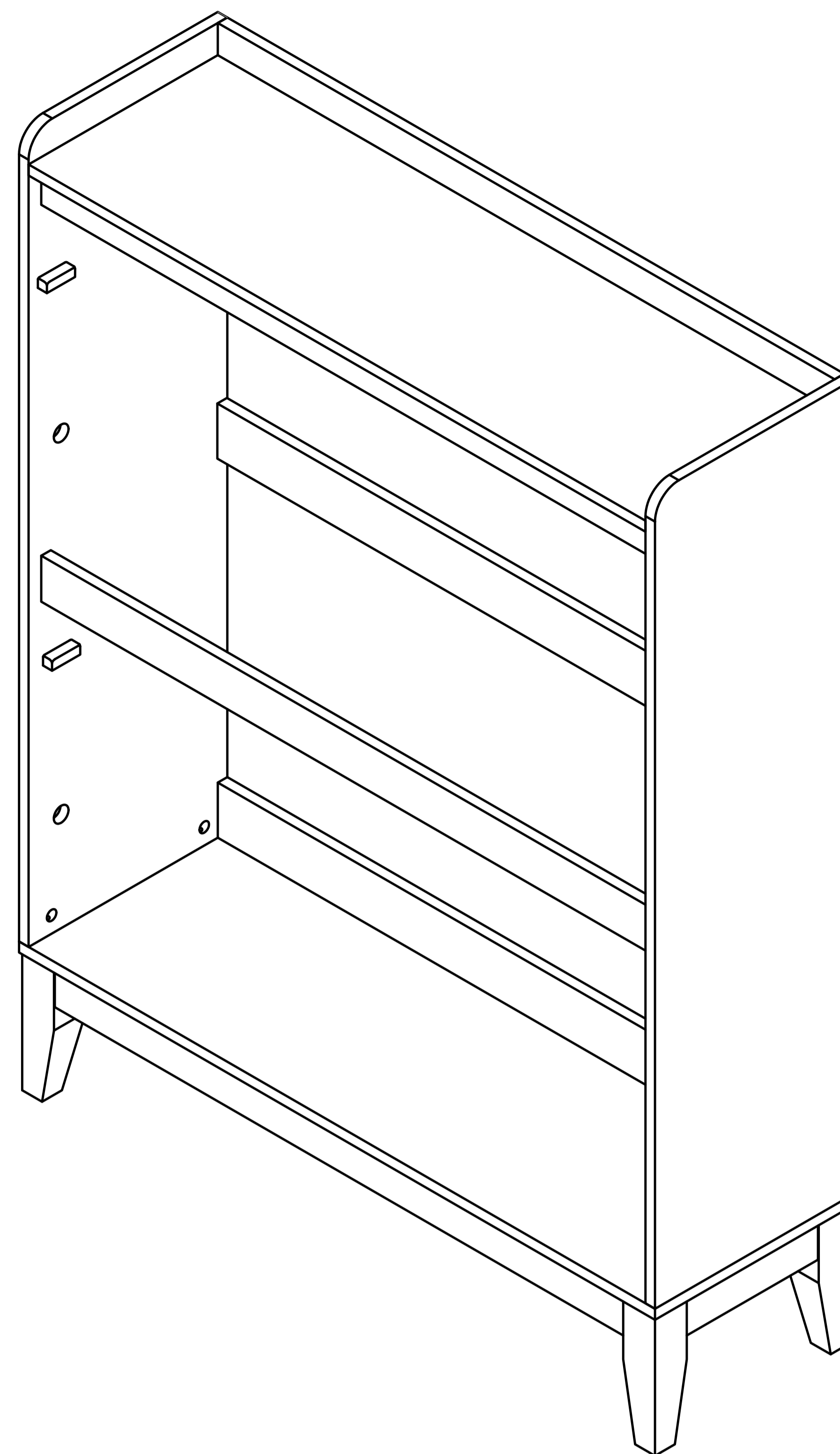
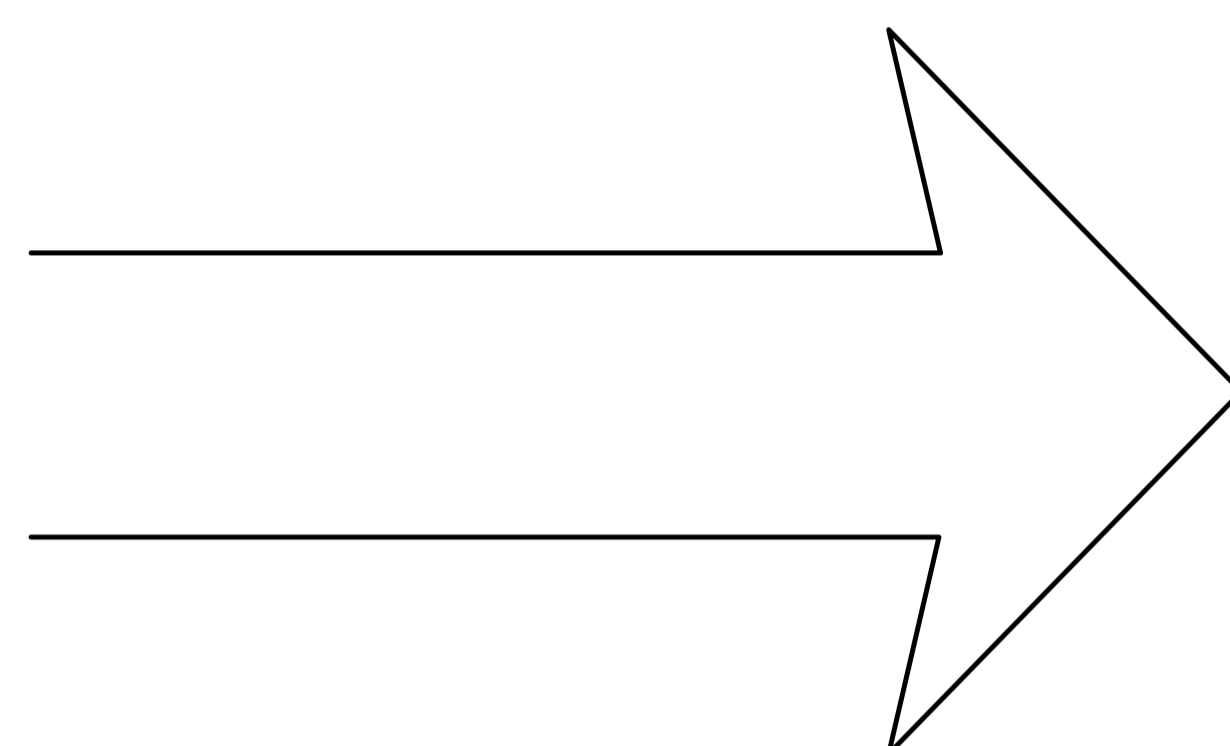
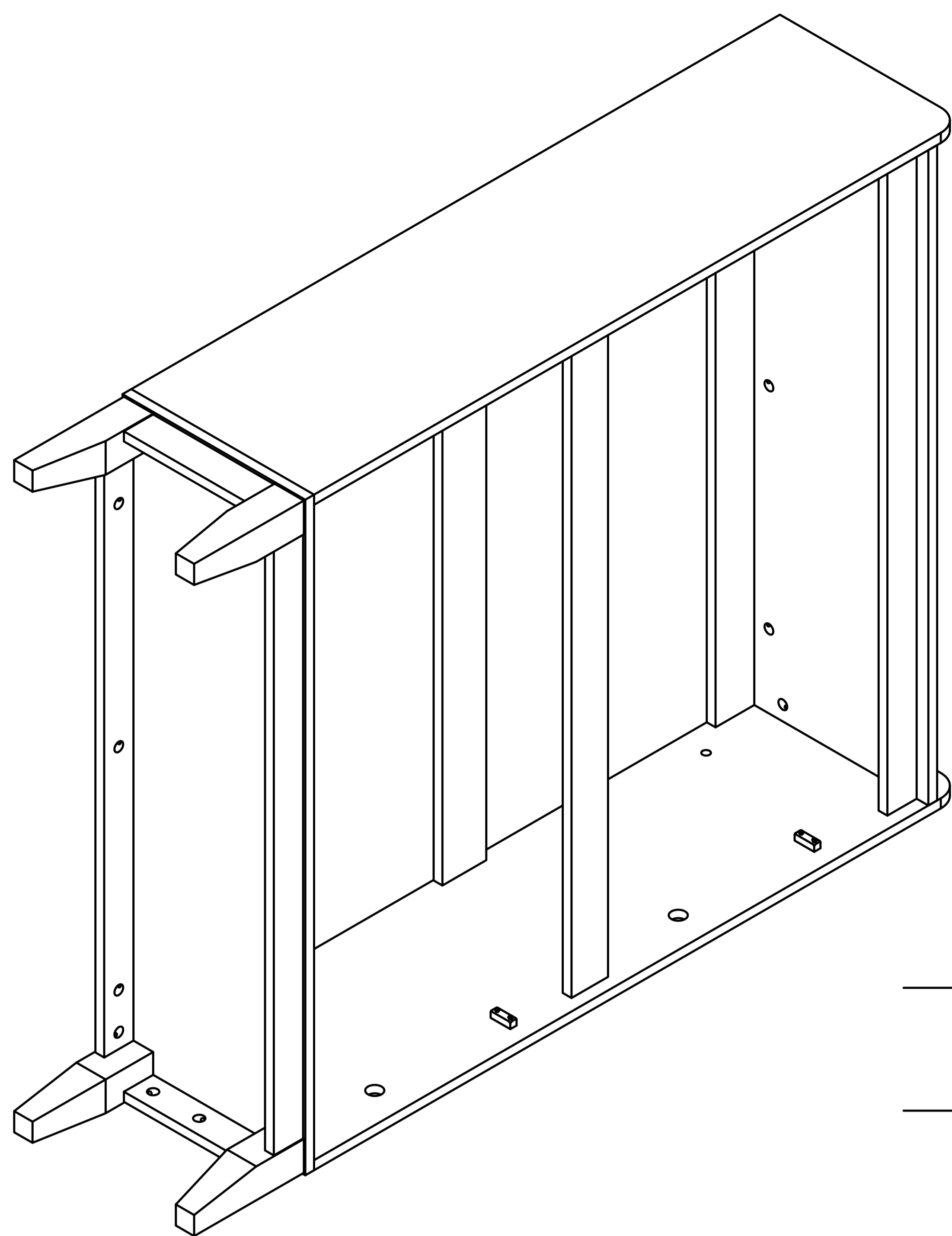
6



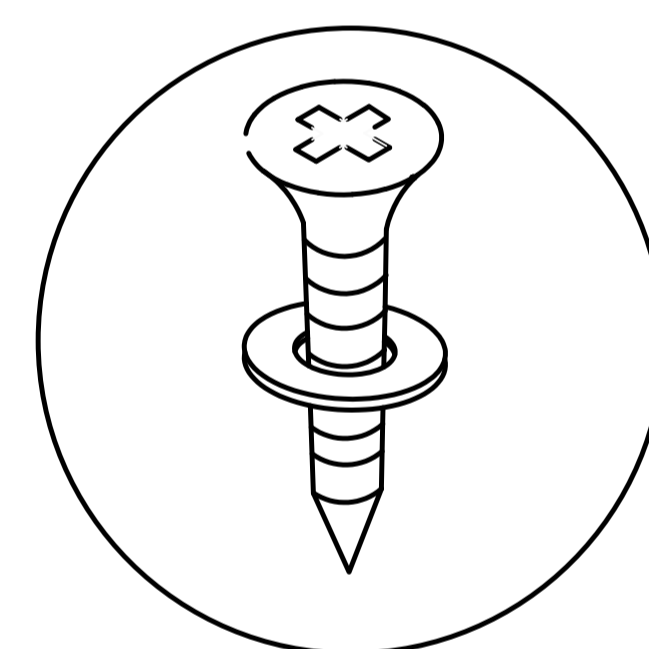
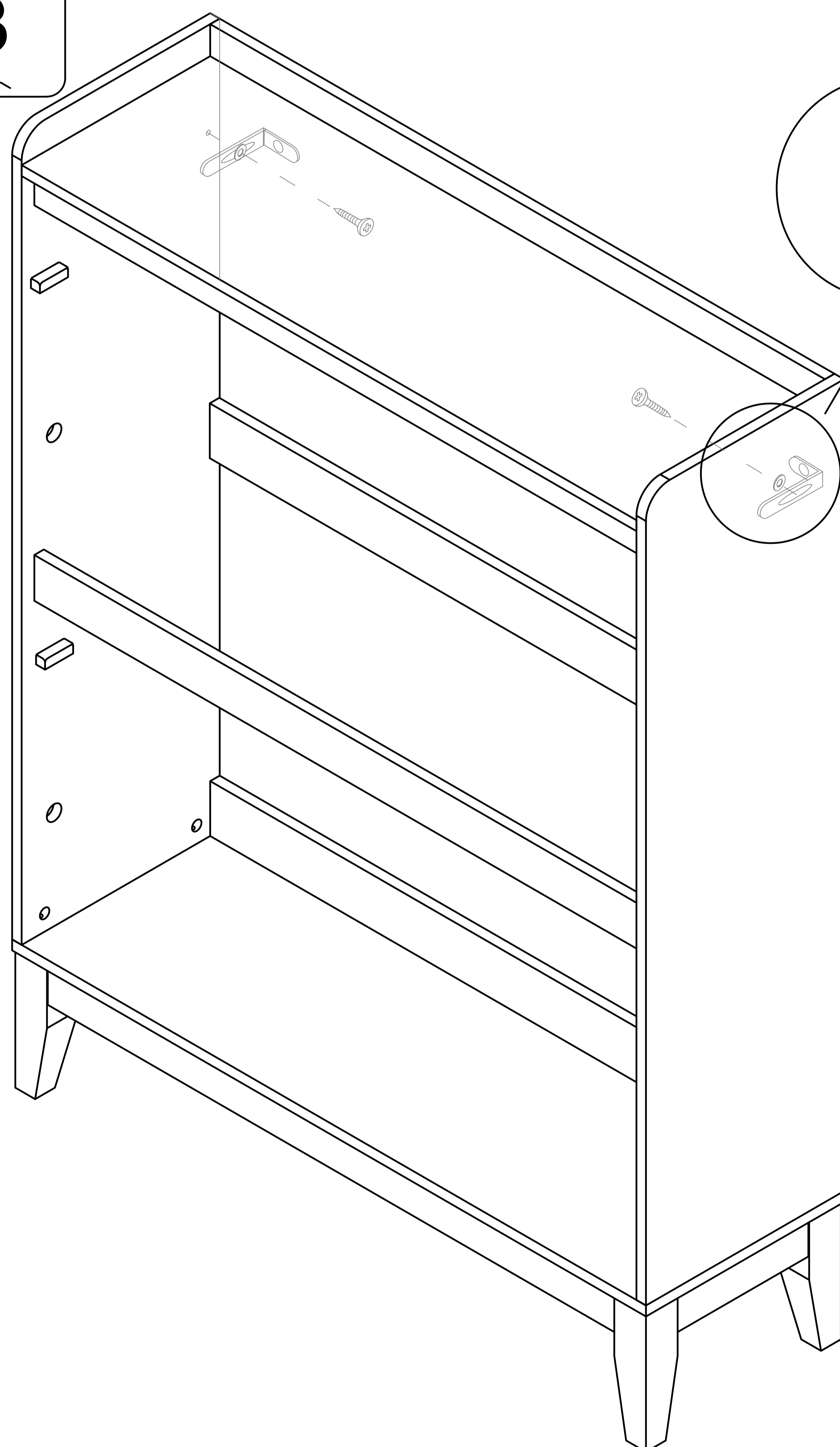
x2

x2

x2

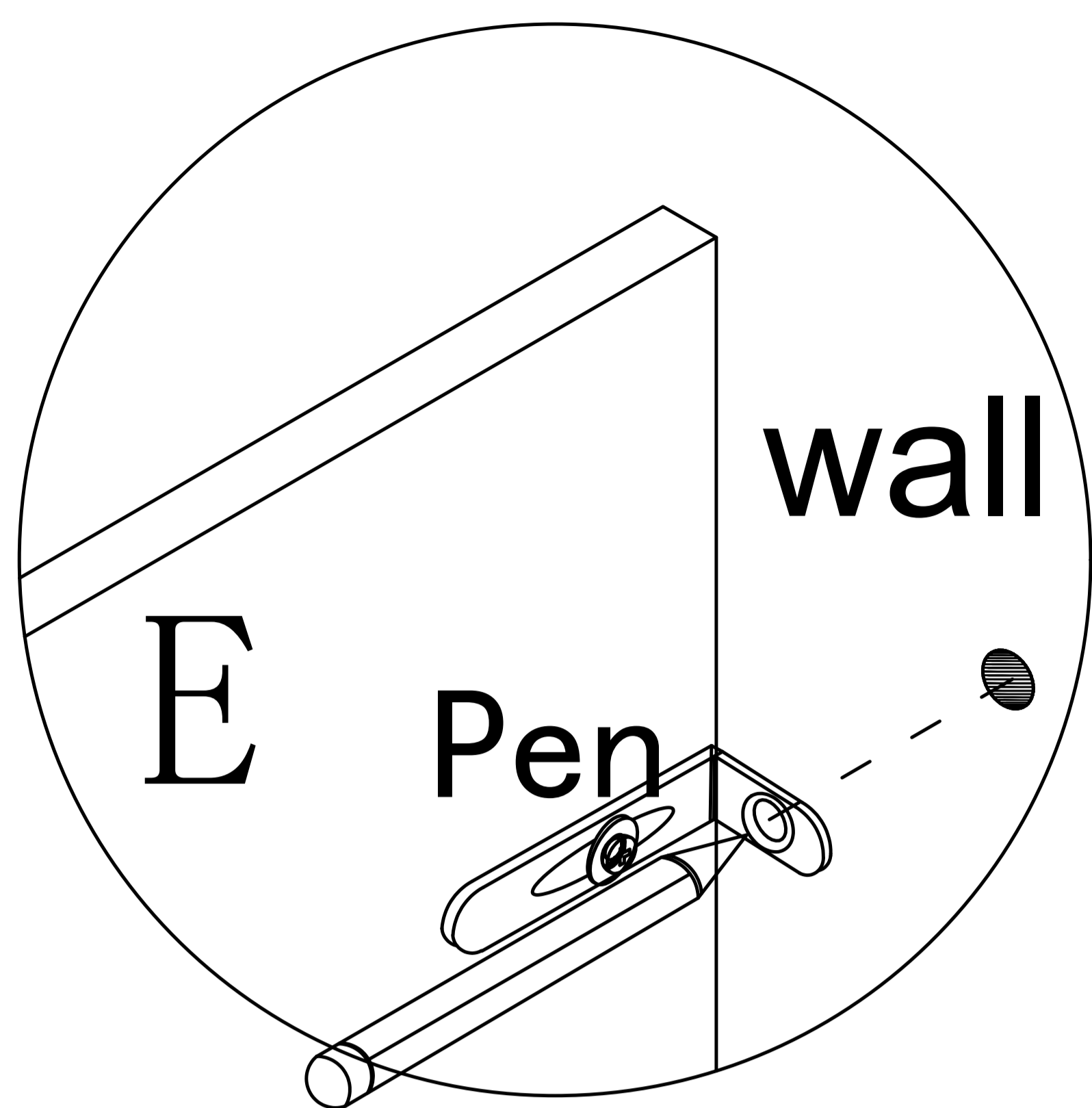


# Step 23

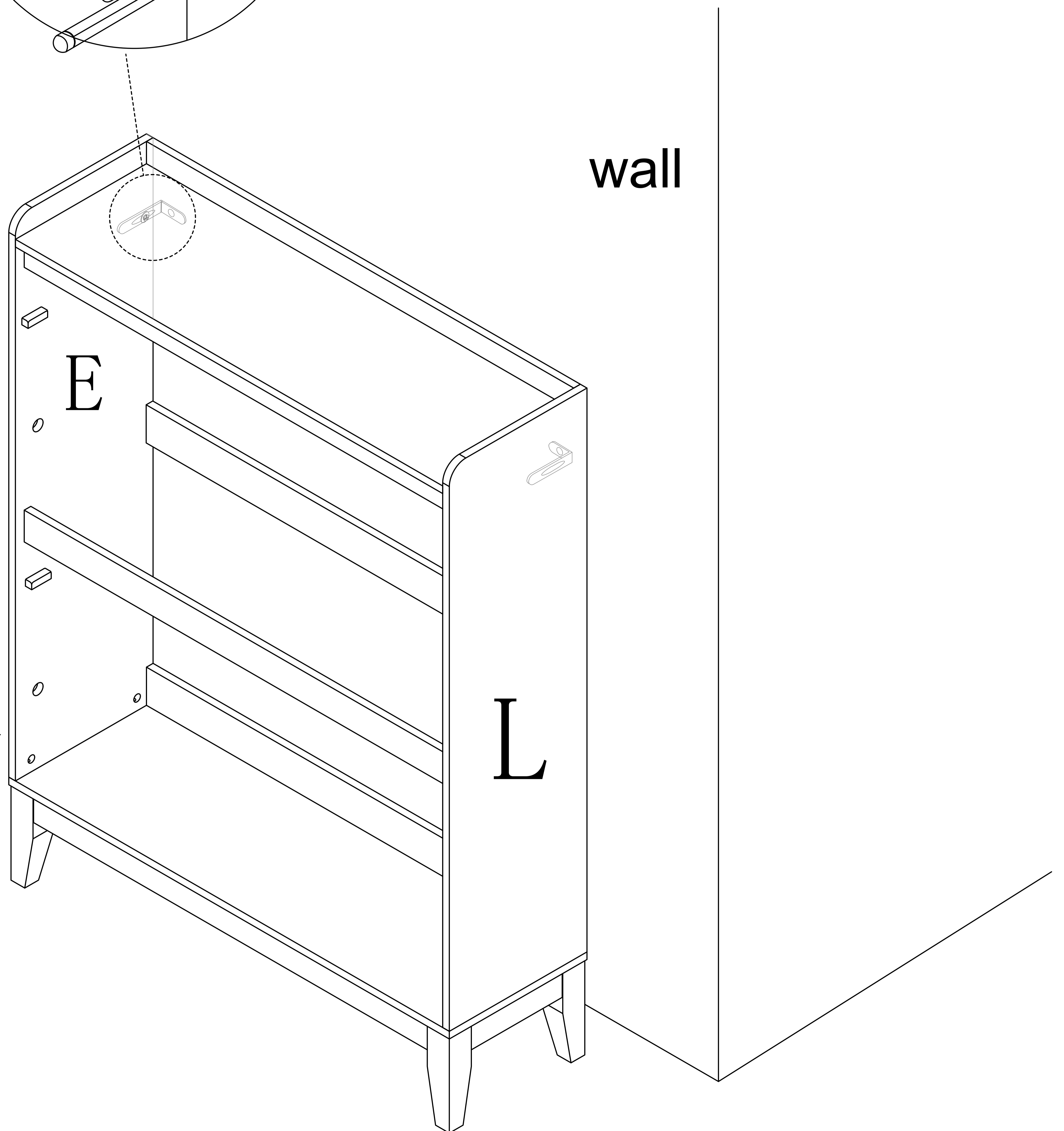


Install the anti fall hardware on the cabinet as shown in the picture first

Step 24

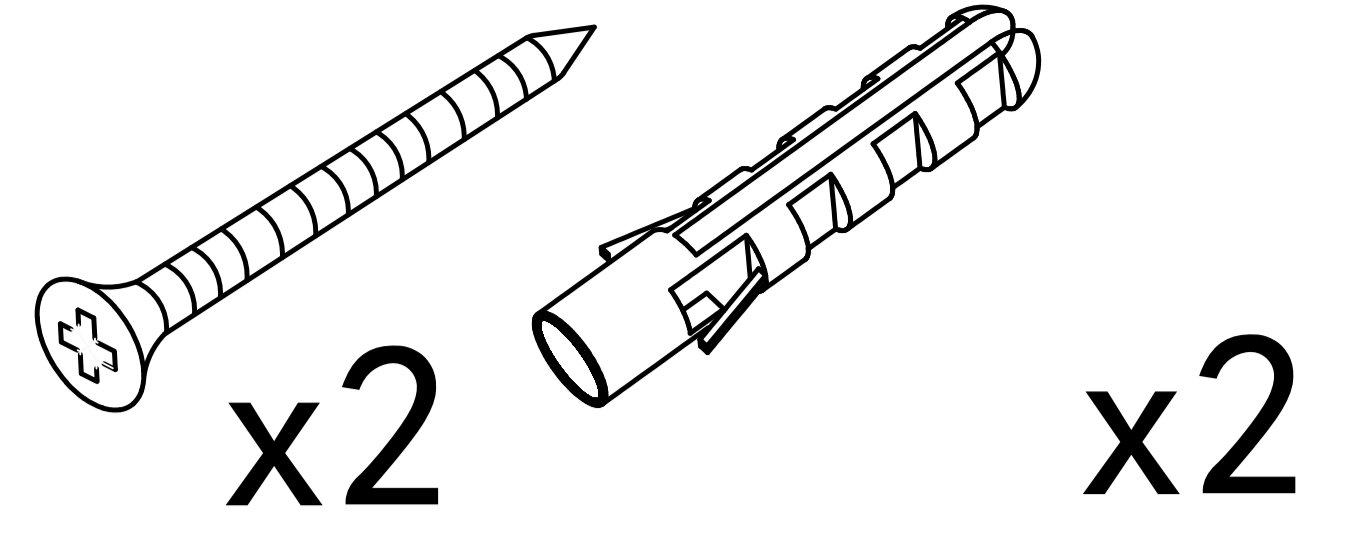


Then mark the wall with a pen through the holes in the anti-fall hardware

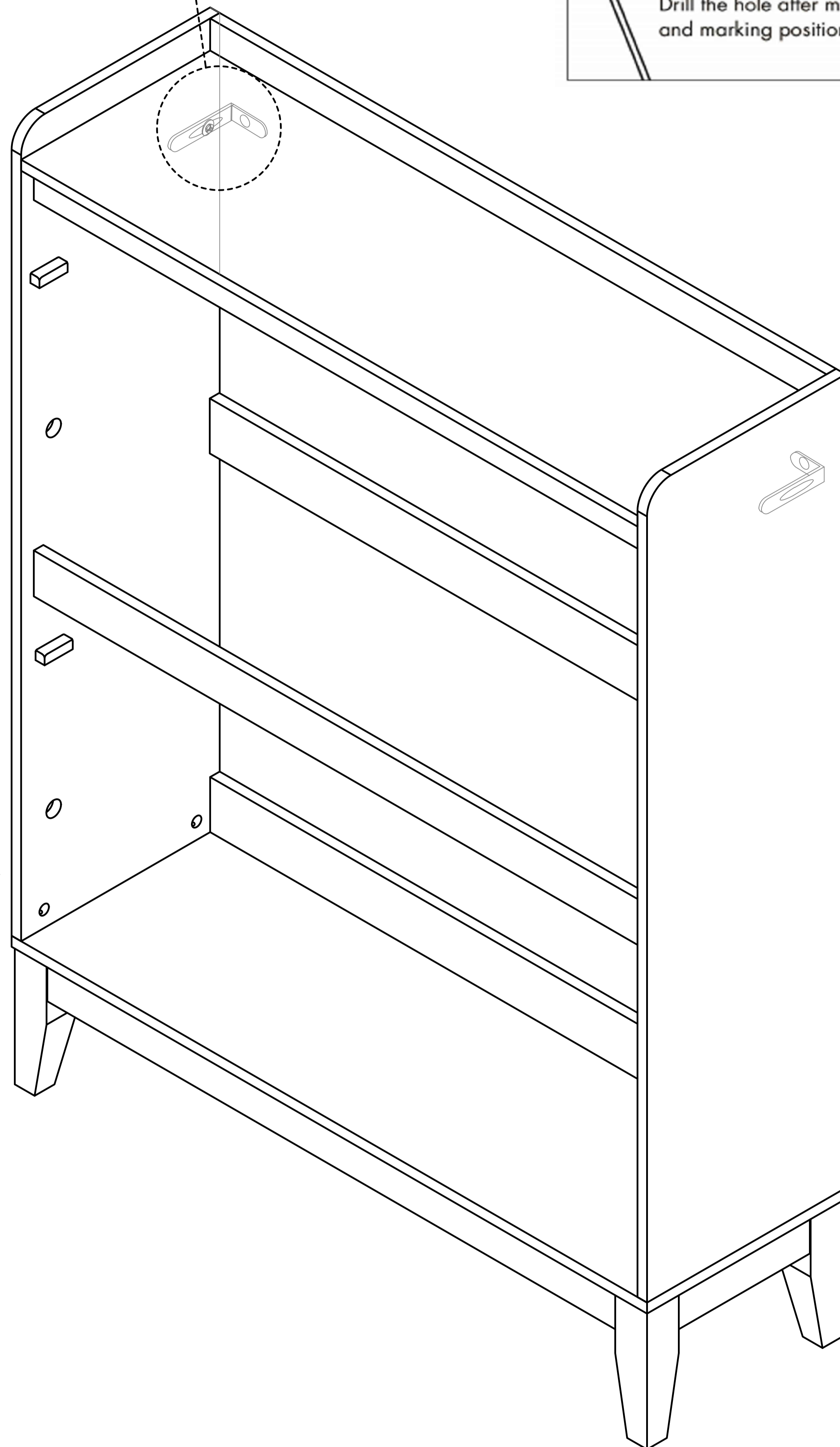
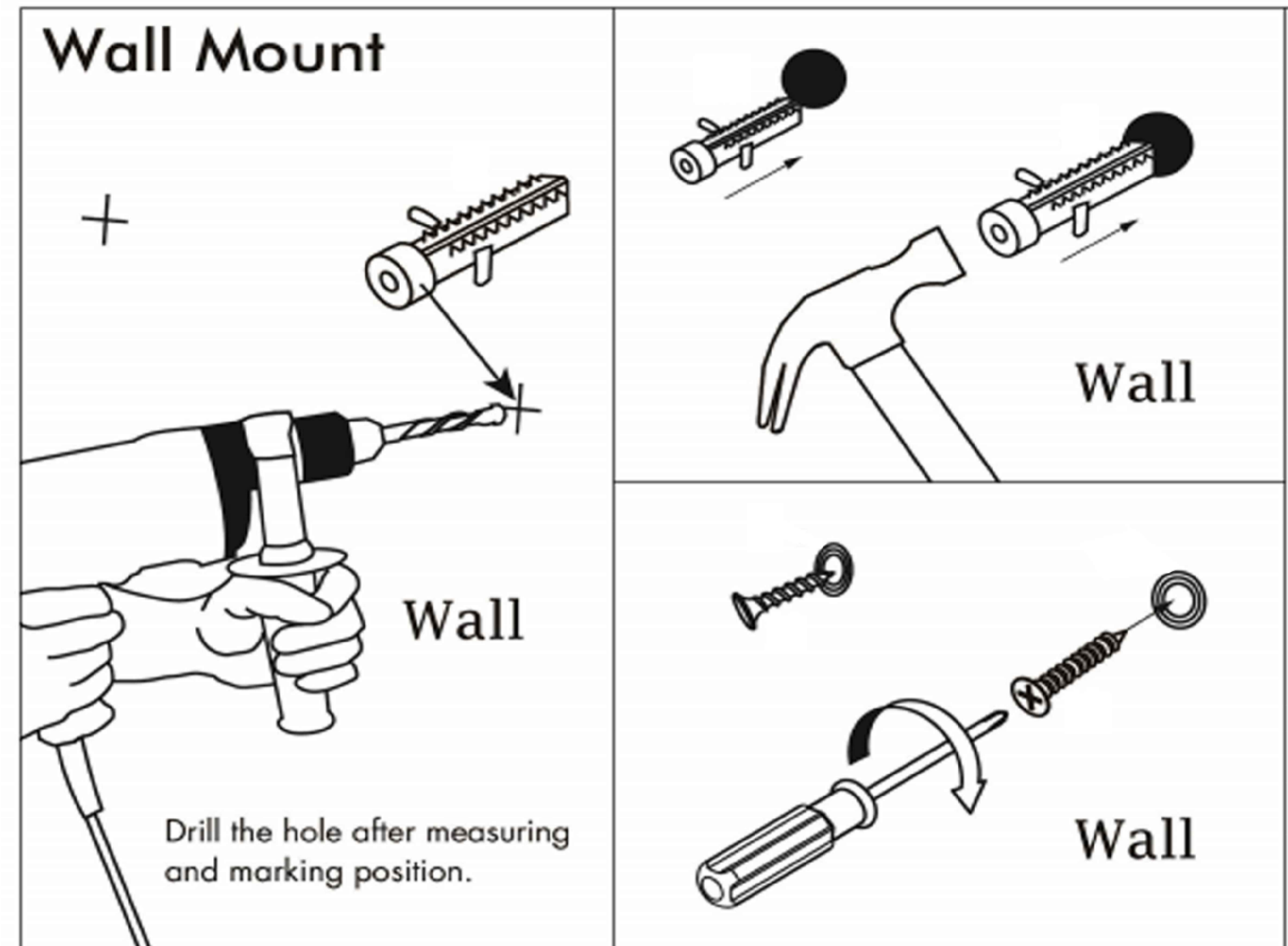
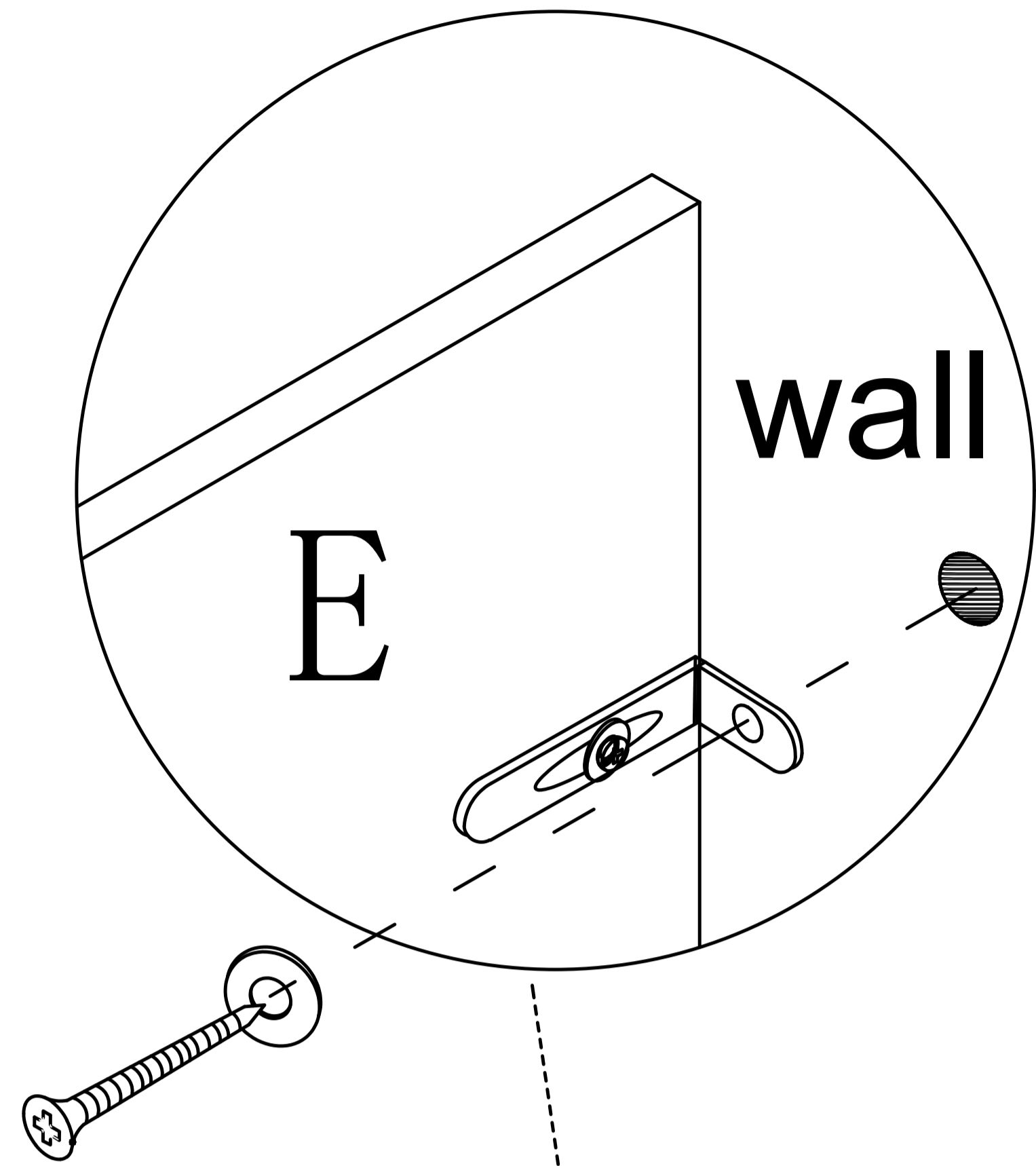


# Step 25

6



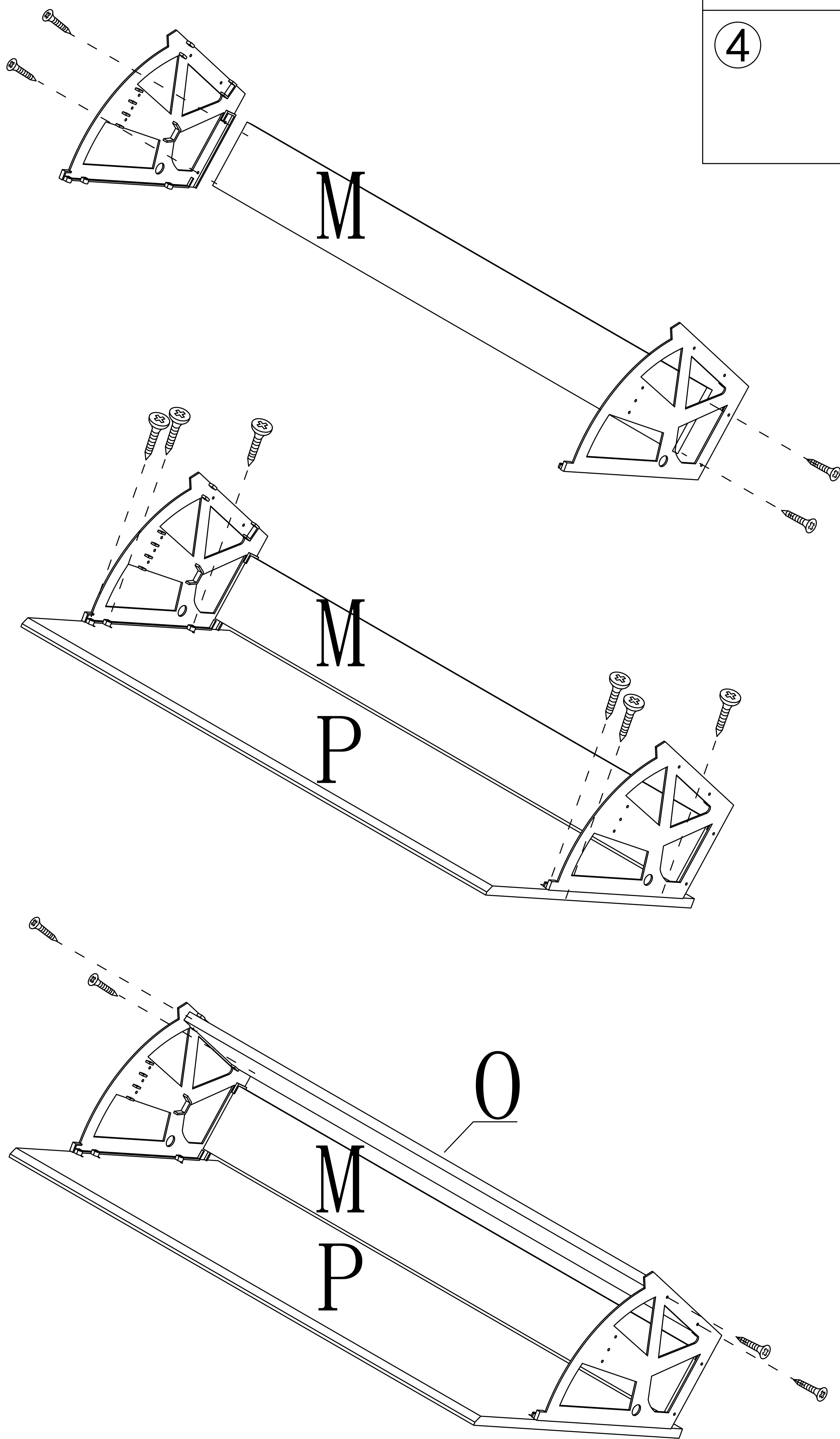
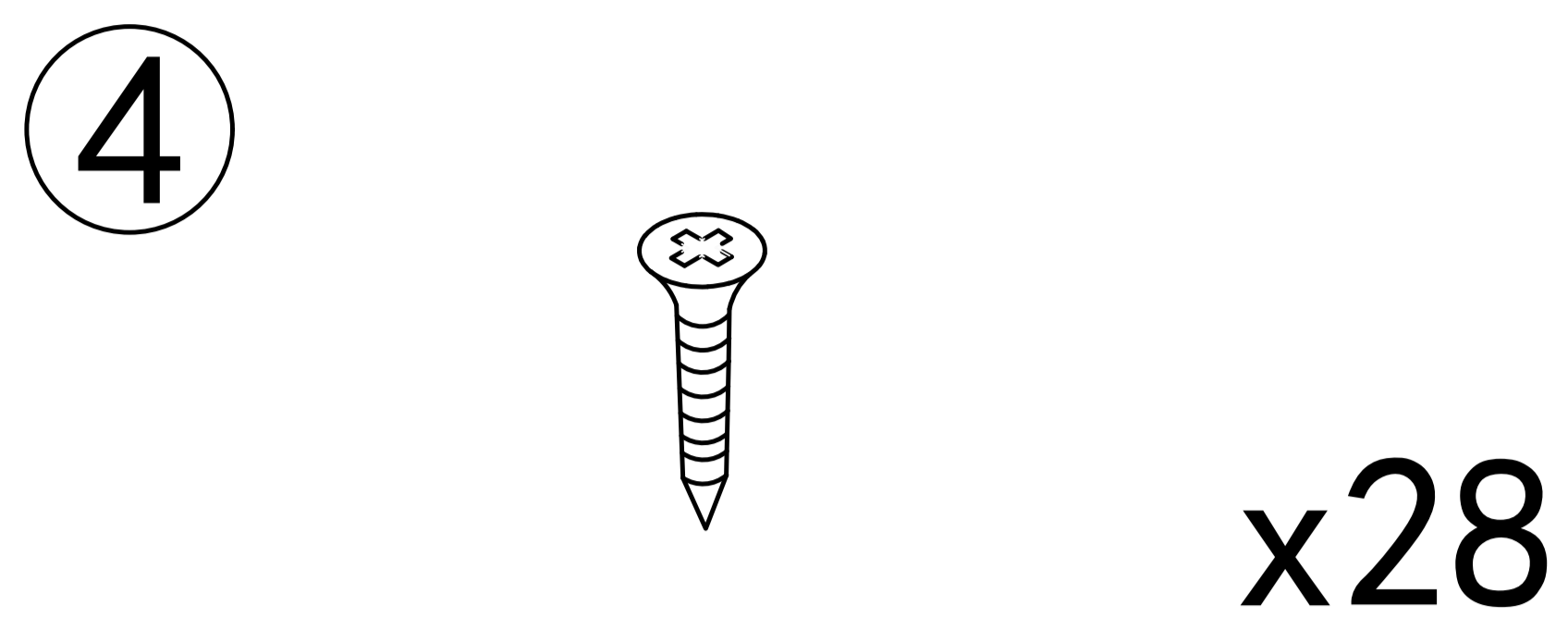
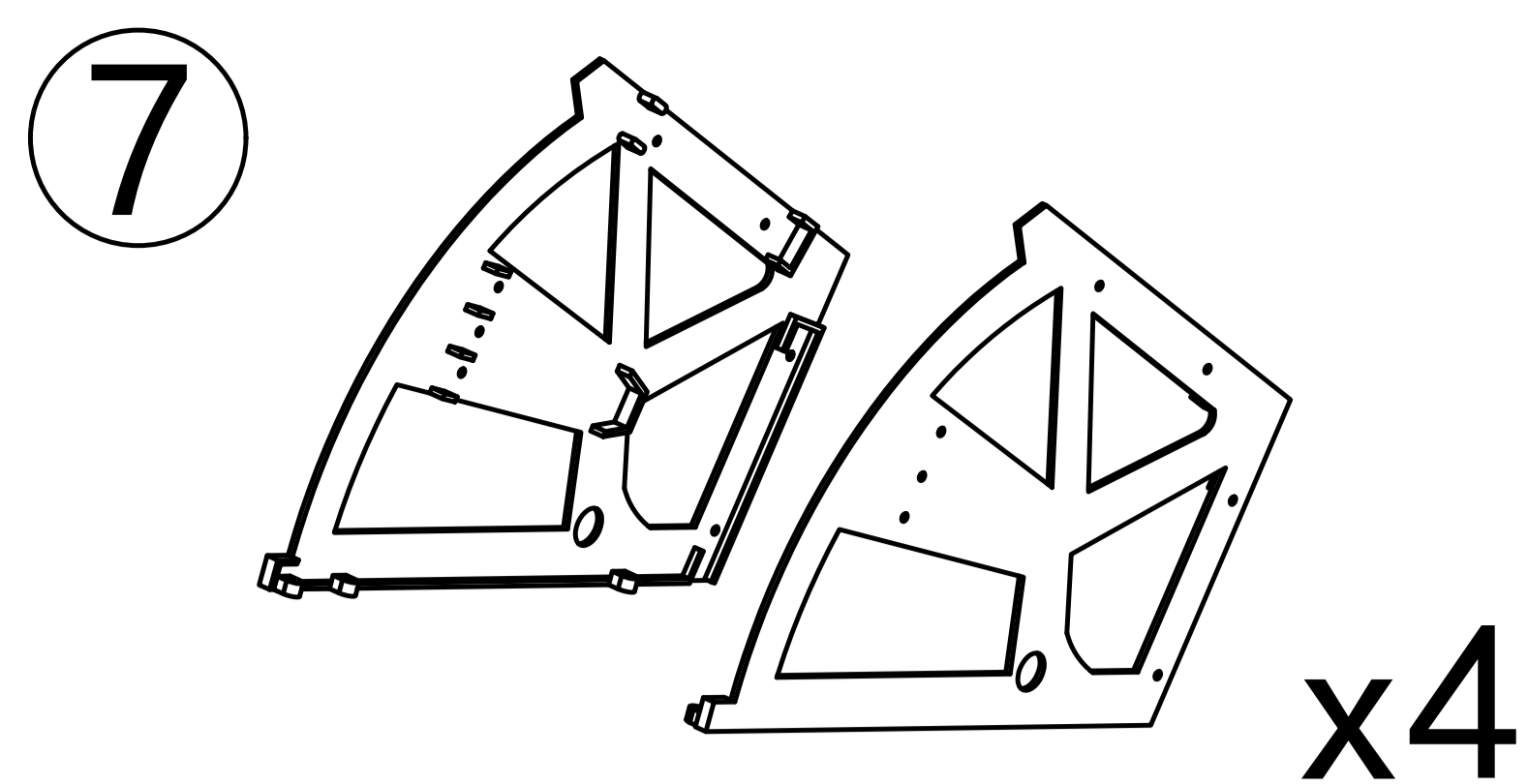
Drill the hole with an electric drill and punch in the colloidal particles



Fasten the cabinet to the wall

wall

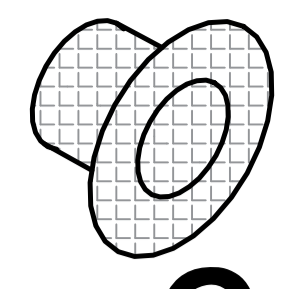
Step 26



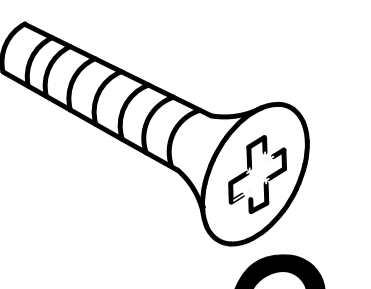
Install two identical shoe cabinet drawers.

# Step 27

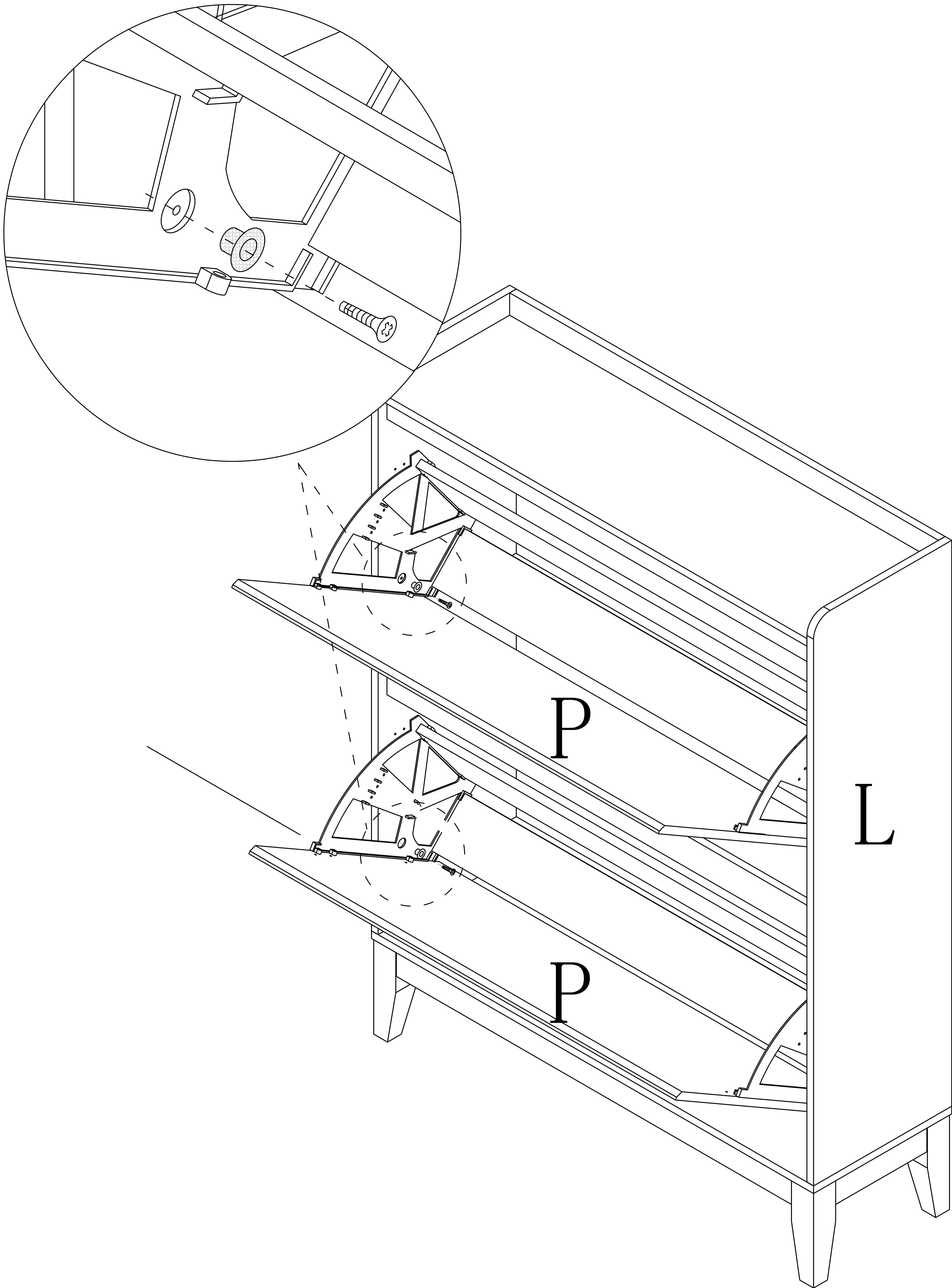
8



x2



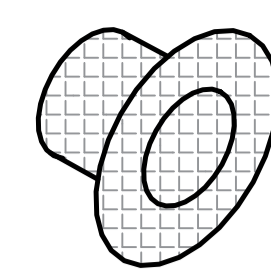
x2



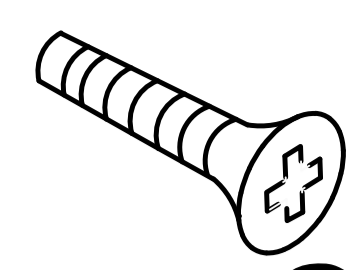
Install the securing screws for the shoe cabinet drawer on both sides in Steps 27 and 28 together.

Step 28

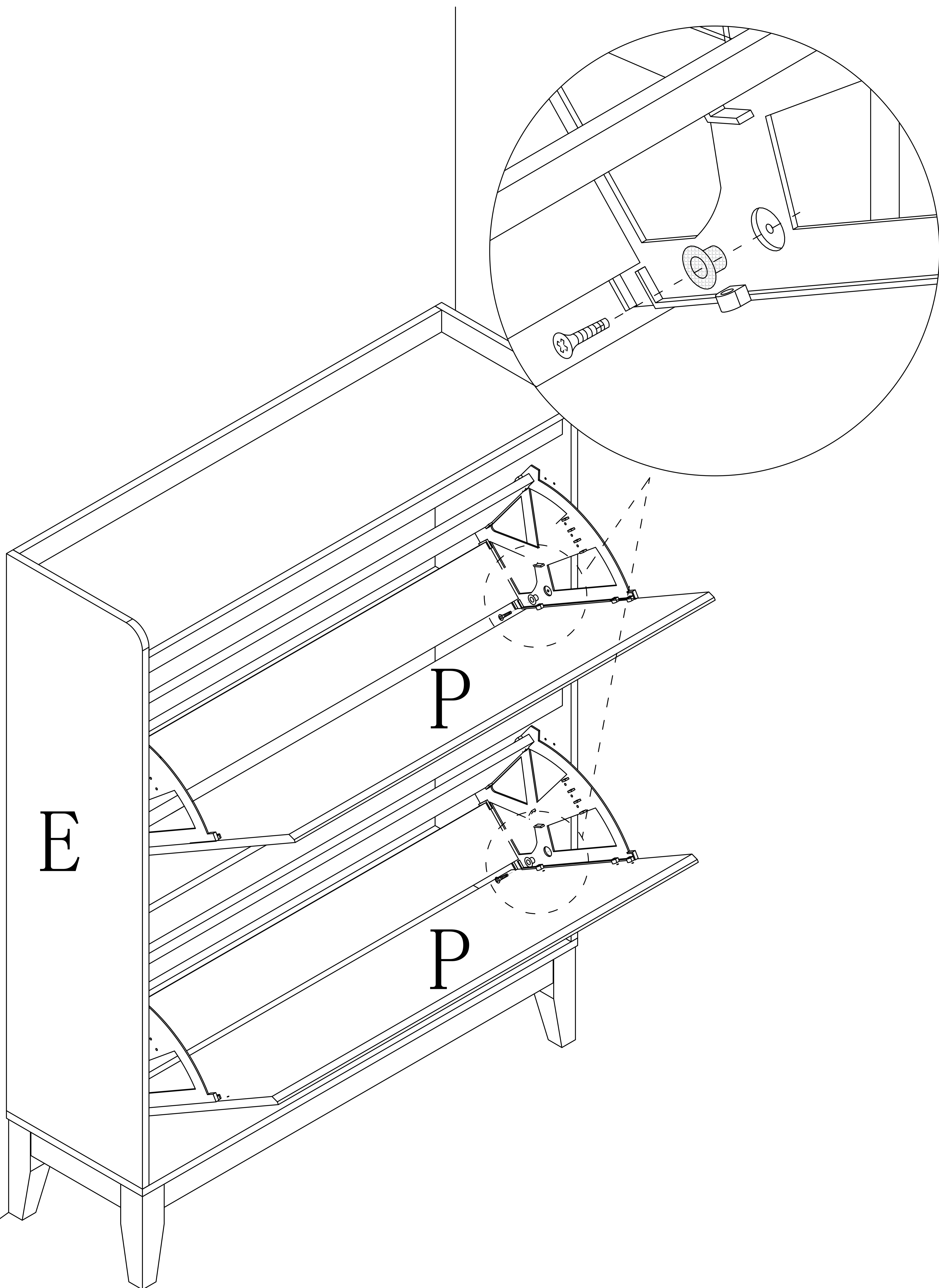
8



x2



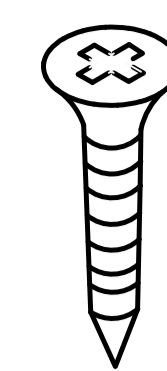
x2



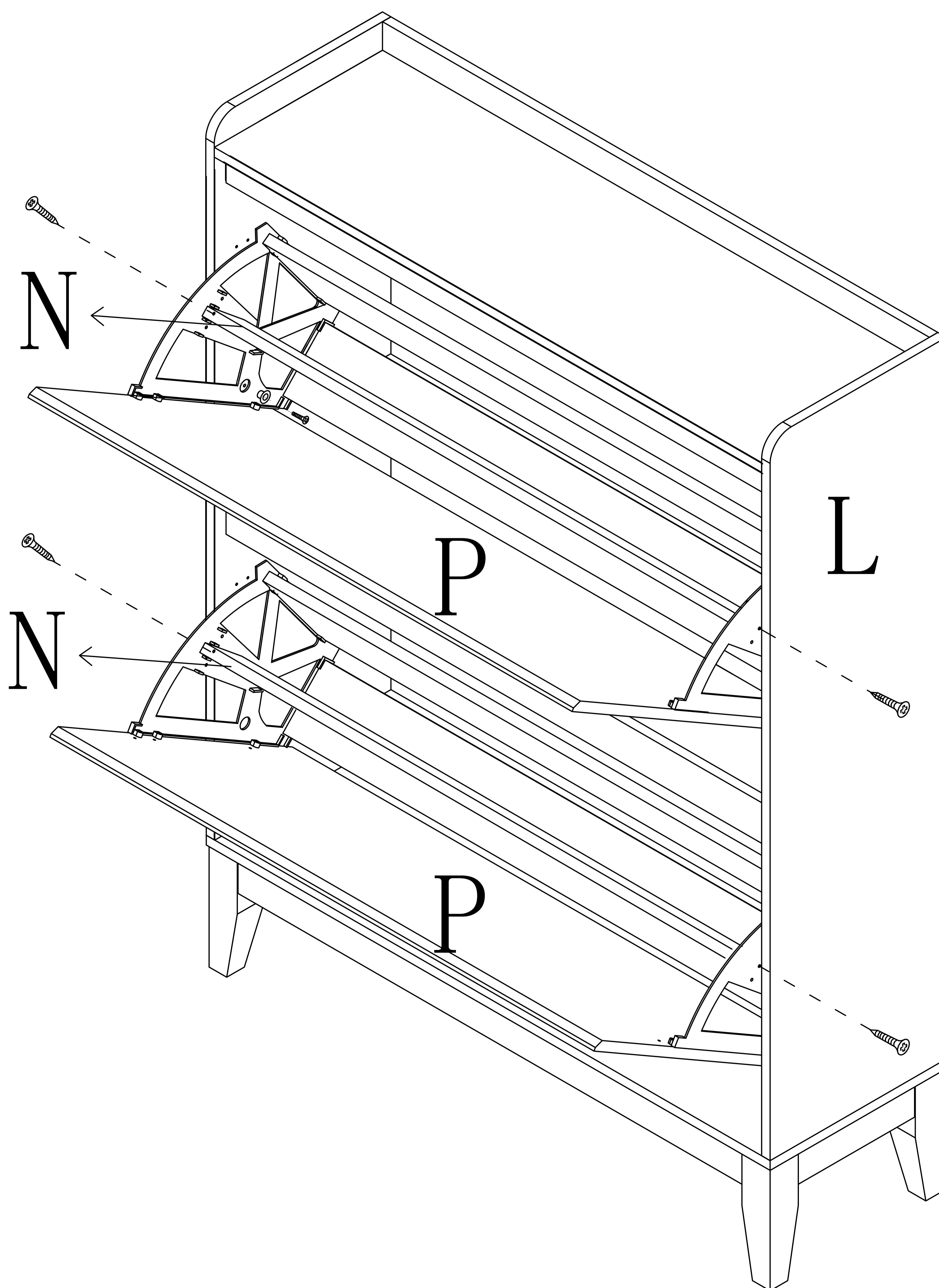
Install the securing screws for the shoe cabinet drawer on both sides in Steps 27 and 28 together.

# Step 29

4



x4



Step 30

