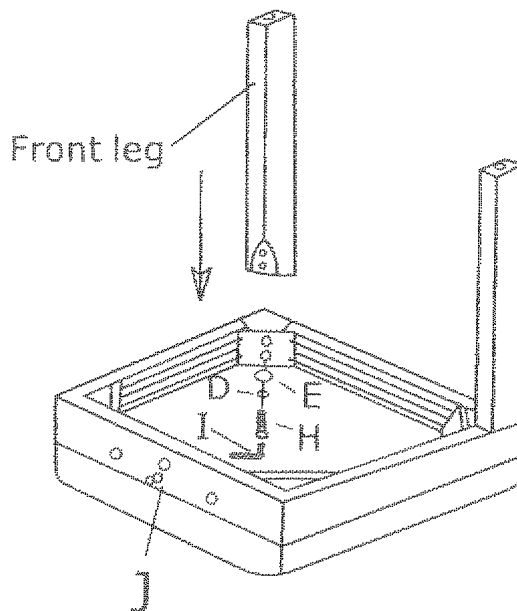


# ASSEMBLY INSTRUCTION

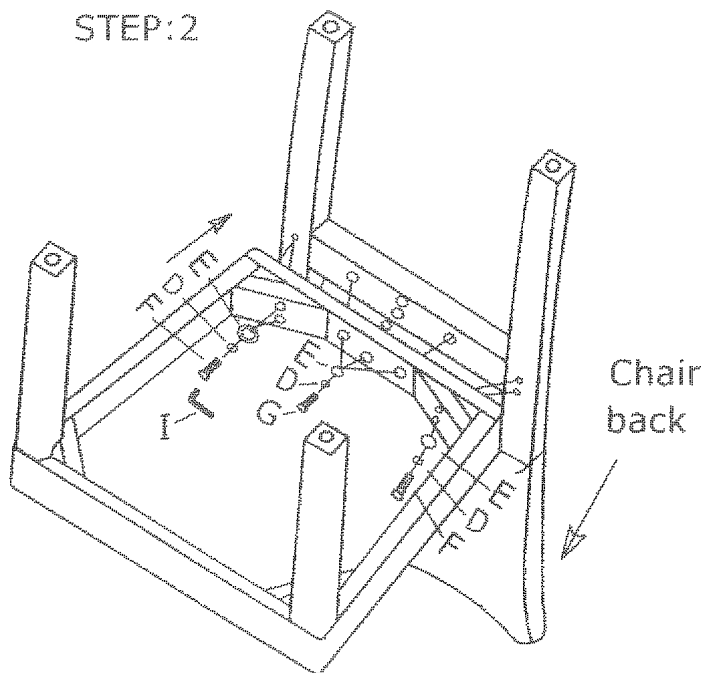
**\*DO NOT TIGHTEN SCREWS UNTIL COMPLETELY ASSEMBLED\***

No	DESCRIPTION	Q'TY
A	CHAIR BACK	1PC
B	SEAT	1PC
C	FRONT LEG	2PCS
D	LOCK WASHER ø 5/16"	11PCS
E	FLAT WASHER ø 5/16"	11PCS
F	BOLT 1/4"DIA ø 5/16"X3-1/2"	4PCS
G	BOLT 1/4"DIA ø 5/16"X2"	3PCS
H	BOLT 1/4"DIA ø 5/16"X2"	4PCS
I	ALLEN WRENCH ø 5mm	1PC
J	WOOD PLUG 10X40mm	1PC

STEP:1



STEP:2



STEP:3

