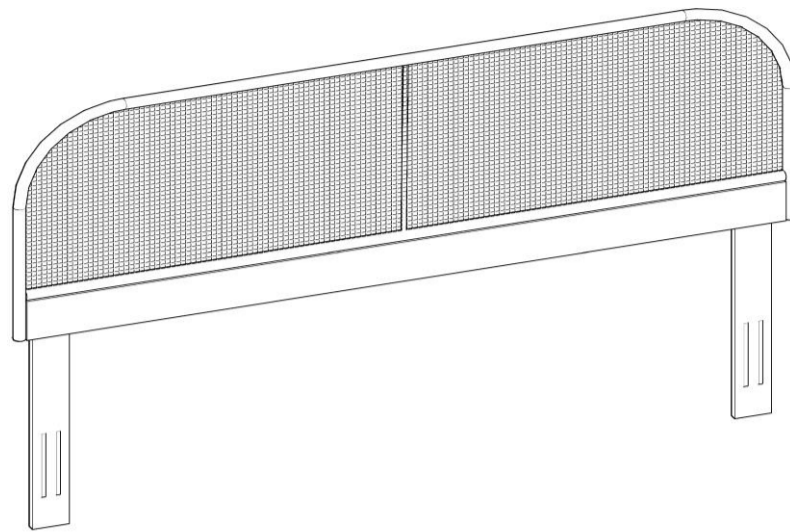
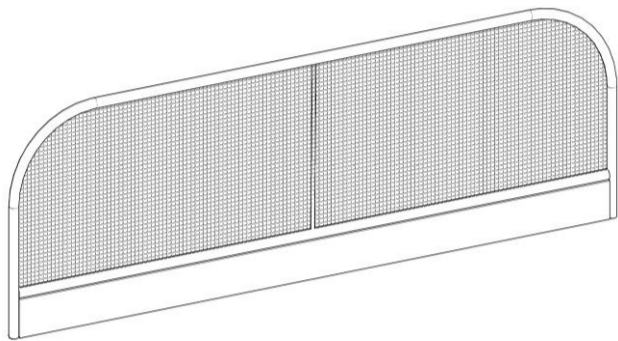


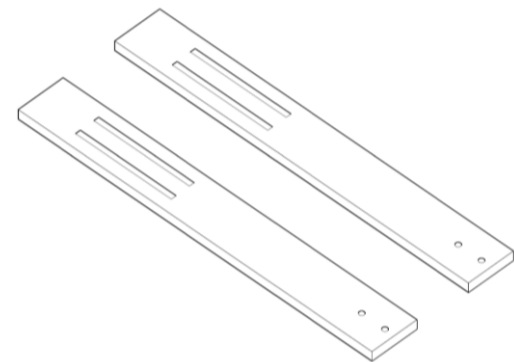
## ASSEMBLY INSTRUCTION



### PART LIST



( A ) HB head : 1pc



( B ) Leg : 2pcs

### HARDWARE LIST



( 1 ) Allen key : 1pc



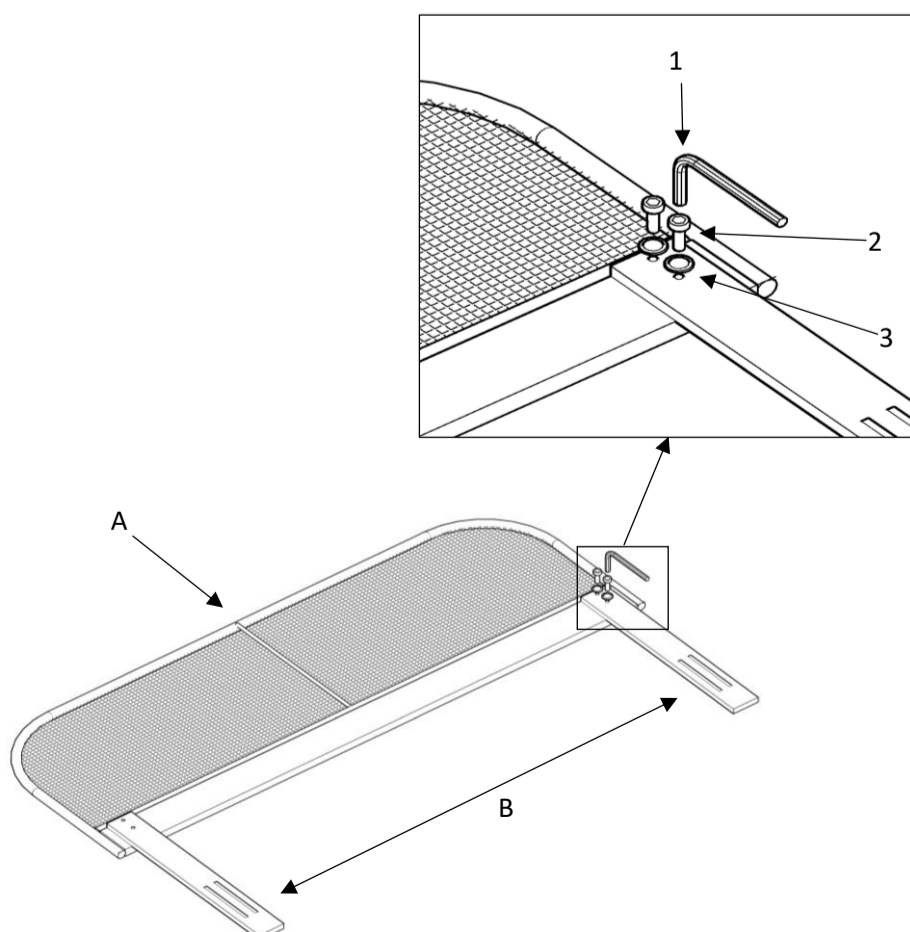
( 2 ) JCBC Bolt : 4pcs



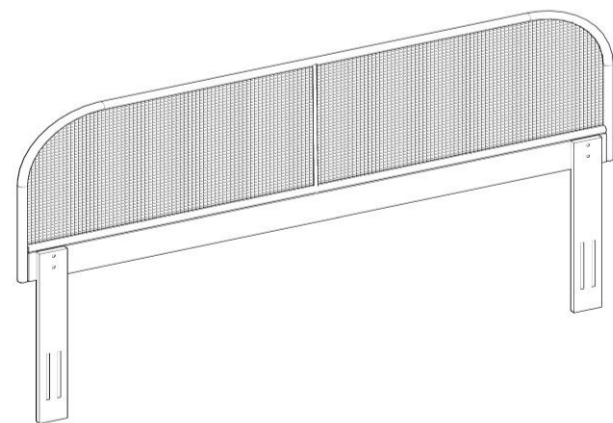
( 3 ) flat washer : 4pcs

## ASSEMBLY INSTRUCTION

### STEP 1



### STEP 2



Use step 1 and attach the headboard to a bed frame.