

Owner Manual



A line drawing of a chair, showing the backrest, seat, and front legs. The drawing is positioned on the left side of the page, partially cut off by a vertical line.

WARRANTY

We strive to offer high quality product and we also try our best to satisfy each customer that order from us, no matter on products or services as needed. Each customer receives a record of their order, such as the order number or item receipt. For any items that are out of warranty period, you may still be able to purchase the replacement parts from our company if they are available.

MAINTENANCE AND WARNING

Please read the manual thoroughly
before you start installing.

Please keep the product away from
sharp object.

Packaging and small parts may have
chocking hazard, please keep them away
from children and pets.

Please clean the product according to each
clean code, check the product description
for more information.

Please keep the product away from fire.

If you have any other questions, please
contact us, we will be glad to help you out.

If the product is placed under direct
sunlight, the pattern or color might fade
away overtime.

Check the product periodically to make
sure everything is secured and tightened.

Always use proper tools for installation.

Do not jump on the product.



PRODUCT DESCRIPTION

The rounded bucket shape and minimalist design make it a perfect fit for various home decor styles, from modern to classic.

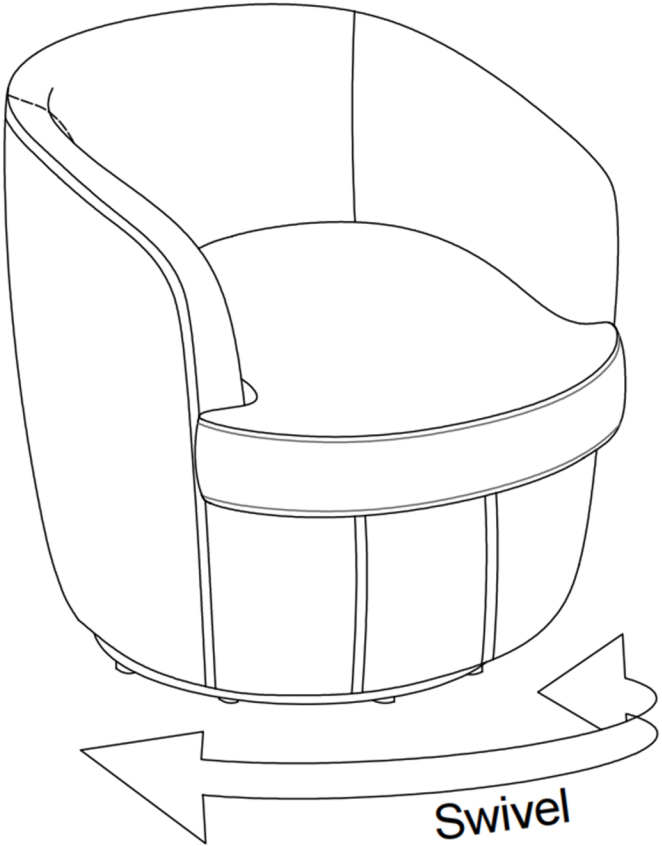
The half surround backrest provides support and a cozy feeling of being gently cradled.

The high density sponge foam cushion offers a perfect level of firmness, filled with just the right amount of padding for comfort.

The leather upholstery allows for hassle free cleaning, making it easy to maintain.

The sturdy wooden frame and metal swivel base ensure long-lasting use, with smooth rotation for added convenience. Minimal assembly needed.

step 1



step 2

