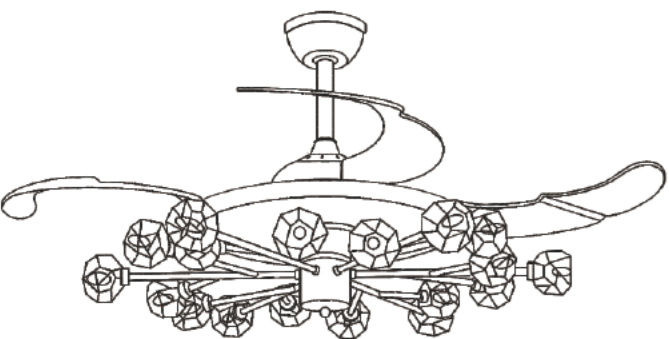


## Product Instruction

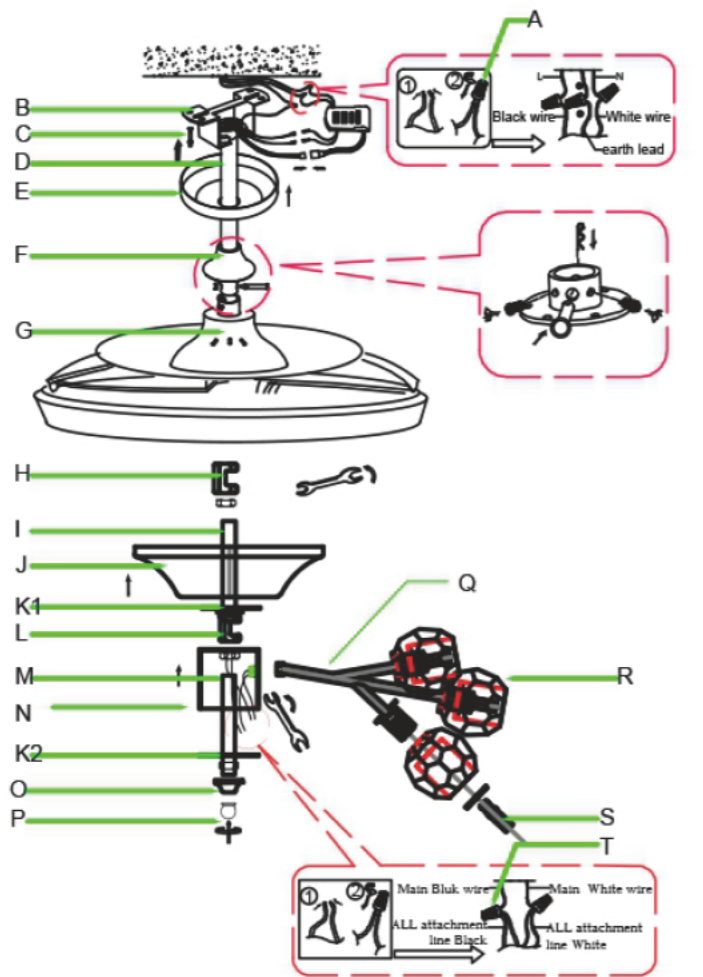


G9\*12xMAX.40W  
G9\*15xMAX.40W  
G9\*18xMAX.40W

110-265V

Material: Metal+Crystal

Color: Golden



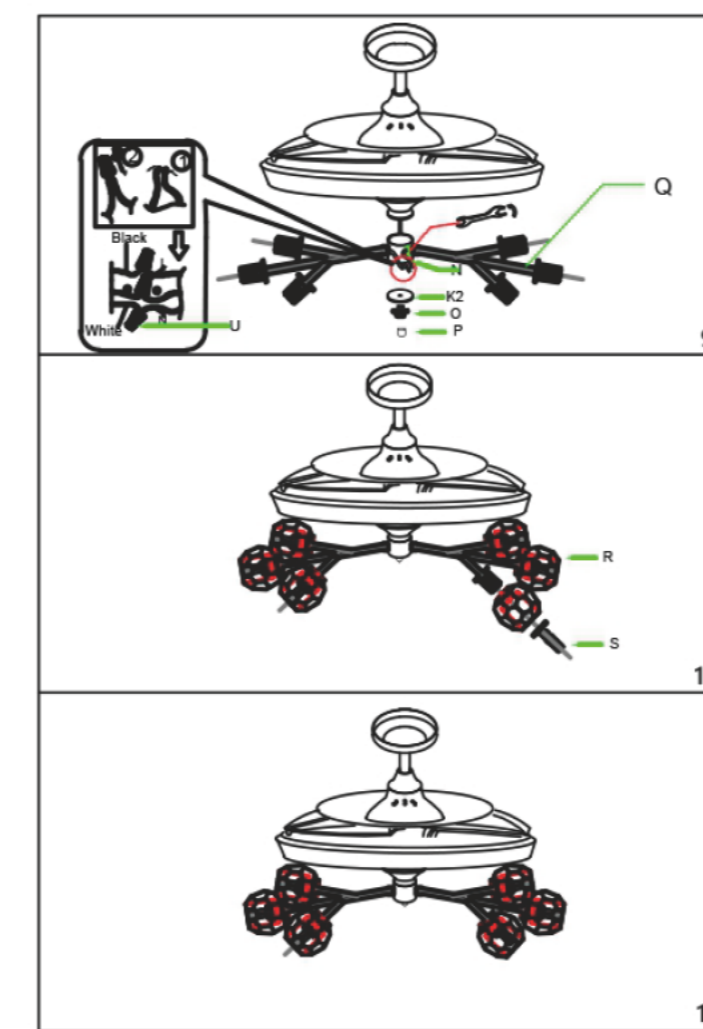
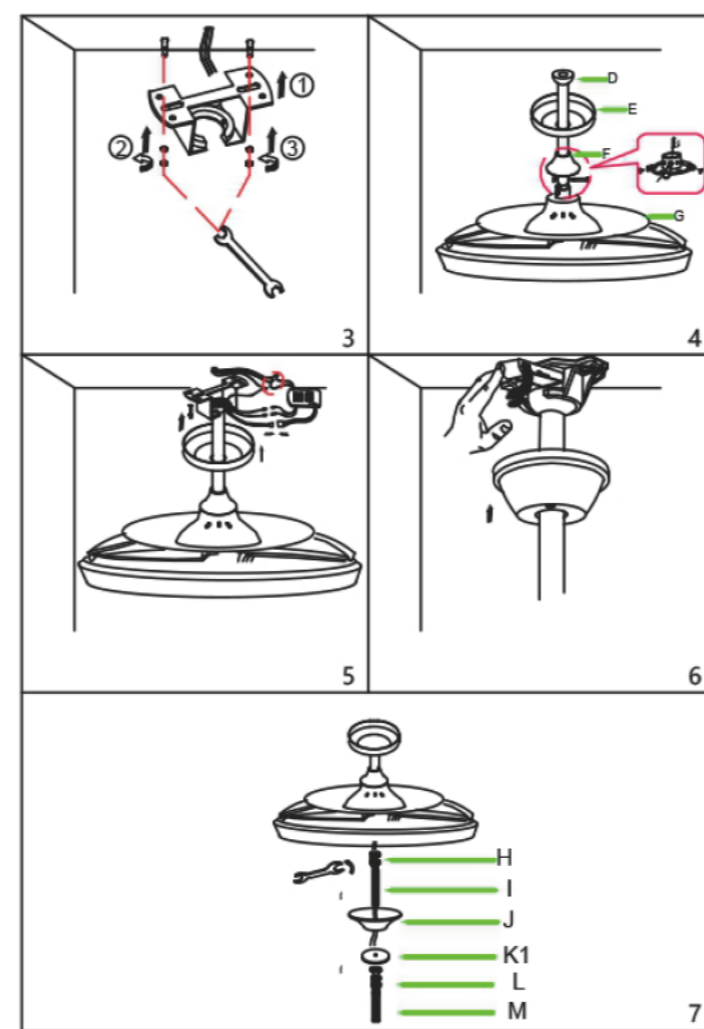
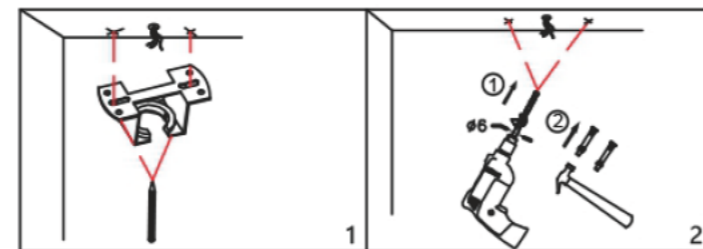
### Part list:

small A x3	B x1	C x2	D x1 The long pole and the short pole can be selected according to the height of the scene	
E x1	F x1	G x1	H big x1	I short x1
J x1	K K1&K2	L small x1	M long x1	N Bulb x1
O x1	P x1	Q x4 or 5 or 6	R x12or15or18	S x12or15or18
T big x4	U Black wire x1 White wire	V x1	W x1	

You will need:



Installation Steps:



### Note:

#### English

- The lamps may only be installed by authorized and qualified technicians according to the valid regulations for electrical installation.
- The manufacturer does not accept any responsibility for injuries or damage resulting from improper use of the light.
- Attention! Before starting the installation work, make sure that the mains power line is voltage-free-turn off safety cutout or unscrew the protection cap. The switch must be "OFF".
- Warning! Before drilling the mounting holes, make sure that no gas, water or electricity pipes and wires can be drilled through or damaged in your chosen mounting location.
- Description of the supply terminals: L=Phase N= Neutral conductor ⊕= Earthed conductor.