

# BEFORE YOU START

## Things You Need To Know

### Number of people required to assemble

Two people are required to assemble this item



### Time to assemble



## Guidelines

**FAILURE TO FOLLOW THESE WARNINGS  
WHEN IN USE COULD RESULT IN INJURY**

**DO**



- We suggest you spend a short time reading through the leaflet before you start
- When you are ready to start, make sure that you have the right tools, plenty of space and a clean, dry area for assembly.
- Unwrap all packing materials and place the components on a clean surface to protect them from damage. We recommend using the product packaging to protect your floor during assembly.
- Carefully check that you have all the parts before beginning assembly.
- Due to the size of this product, we recommend assembly in the room intended for use.
- Make sure the product is fully assembled as illustrated and that all connections are fully tightened before use.
- Wipe occasionally with a soft, damp cloth then buff dry with a soft clean dry cloth.
- The wood will mellow and change color over time. As a result, we recommend that ornaments and items placed on the surface are moved regularly for the first few months to prevent an uneven mellowing.
- Check all bolts and screws every 90 days. As necessary tighten if any are loose.
- Keep small parts and pieces away from children and pets until fully assembled.

**DON'T**



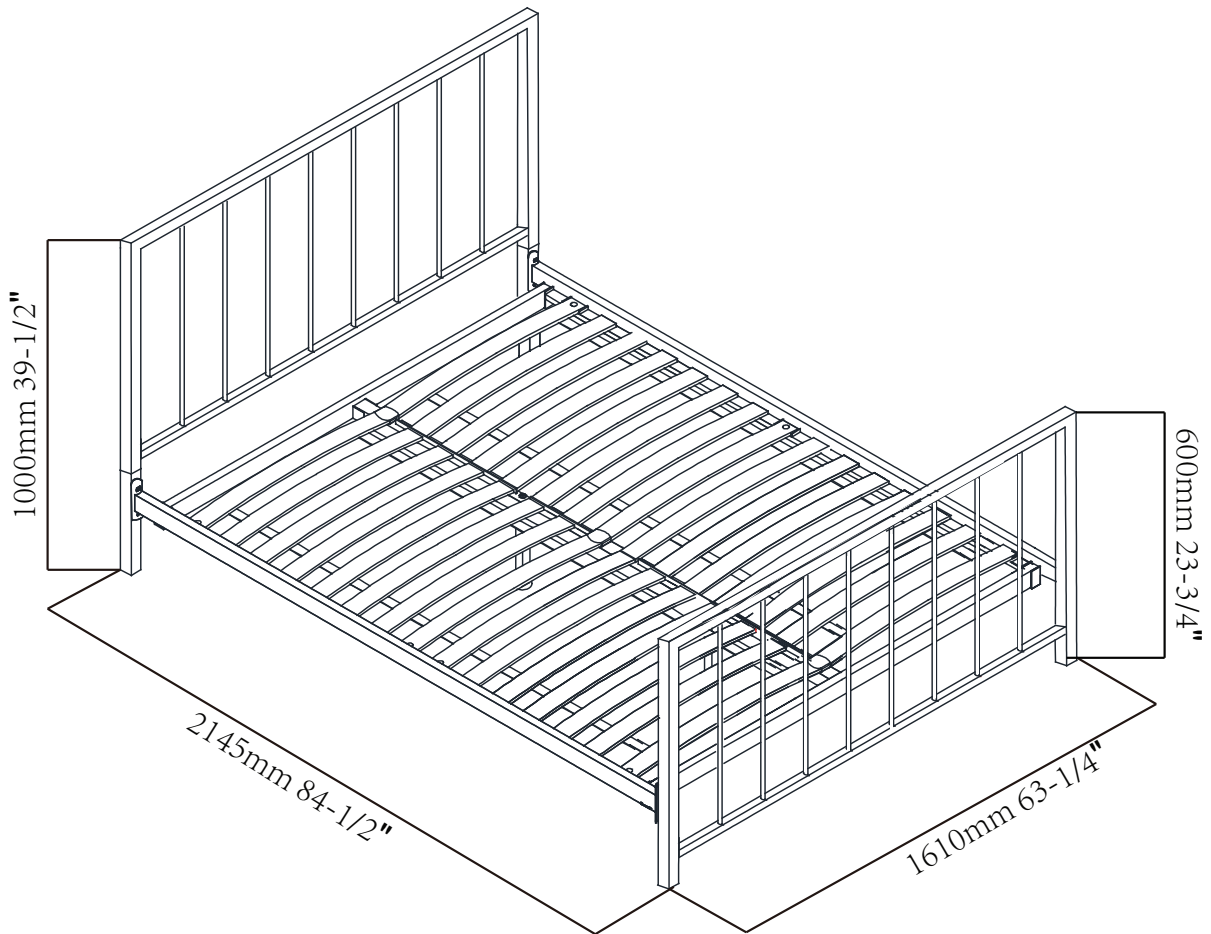
- Do not drag or pull your furniture.
- Do not rub or scrub the surface when cleaning.
- Do not use silicone based furniture polish. Silicone in furniture polishes can break down the finish.
- Never allow any kind of liquid to remain on your furniture. Absorption can cause wood to warp or finishes to de-laminate.
- Do not place hot items (e.g. hot drinks) directly on to the wood surface. Please make sure you use a placement or coaster.
- Do not stand on the item or use as a step ladder.
- **WARNING: DO NOT LET CHILDREN PLAY IN OR AROUND THE UNIT DUE TO THE POSSIBLE RISK OF INJURY.**

# Queen Bed

## Product Dimension

Actual product size

39-1/2" (1000mm) Height x 63-1/4" (1610mm) Width x 84-1/2" (2145mm) Diameter



IMPORTANT-RETAIN FOR FUTURE REFERENCE

To speak to a customer  
servicerepresentative,  
please call toll free.

# Queen Bed

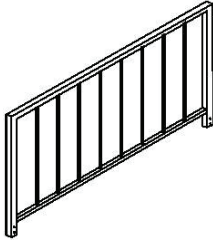
## Getting To Know Your Product



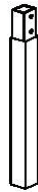
# Queen Bed

## Things You Need To Know

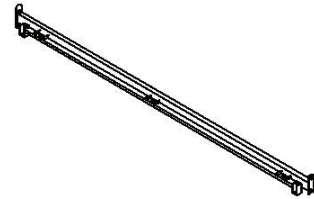
Components supplied. Please use this guide if you require replacement parts.  
Fixtures and fittings supplied (not to scale)



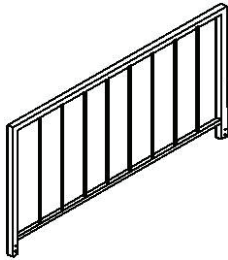
① Headboard  
1610x620x40mm x 1pc



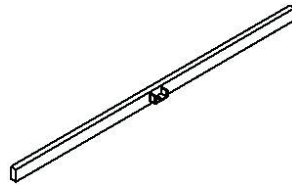
② Headboard legs  
455x40x40mm x 2pcs



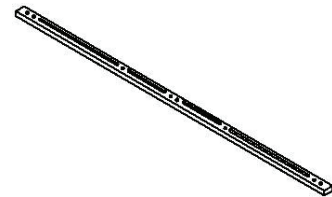
③ Side Rail  
2065x105x60mm x 2pcs



④ Footboard  
1610x600x40mm x 1pc



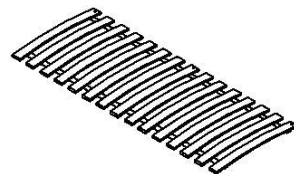
⑤ Cross Bar  
1545x50x45mm x 2pcs



⑥ Center Rail  
1905x50x35mm x 1pc



⑦ Supporting  
235x25x25mm x 2pcs



⑧ Sprung Slats  
1780x767x9mm x 2pcs

# Queen Bed

## Things You Need To Know

Components supplied. Please use this guide if you require replacement parts.  
Fixtures and fittings supplied (not to scale)



Ⓐ Bolts M6x20mm x 18pcs



Ⓑ Bolts M8x45mm x 2pcs



Ⓒ Washer  
6x16x1.5mm x 18pcs



Ⓓ Metal Washer  
8x16x1.5mm x 2pcs



Ⓔ Allen Key 4mm x 1pc



Ⓕ Allen Key 6mm x 1pc



Ⓖ Plastic Cap  
60x60x13mm x 3pcs



Ⓗ Plastic Pin  
6x25mm x 6pcs



Ⓘ Spring Washer x 8pcs

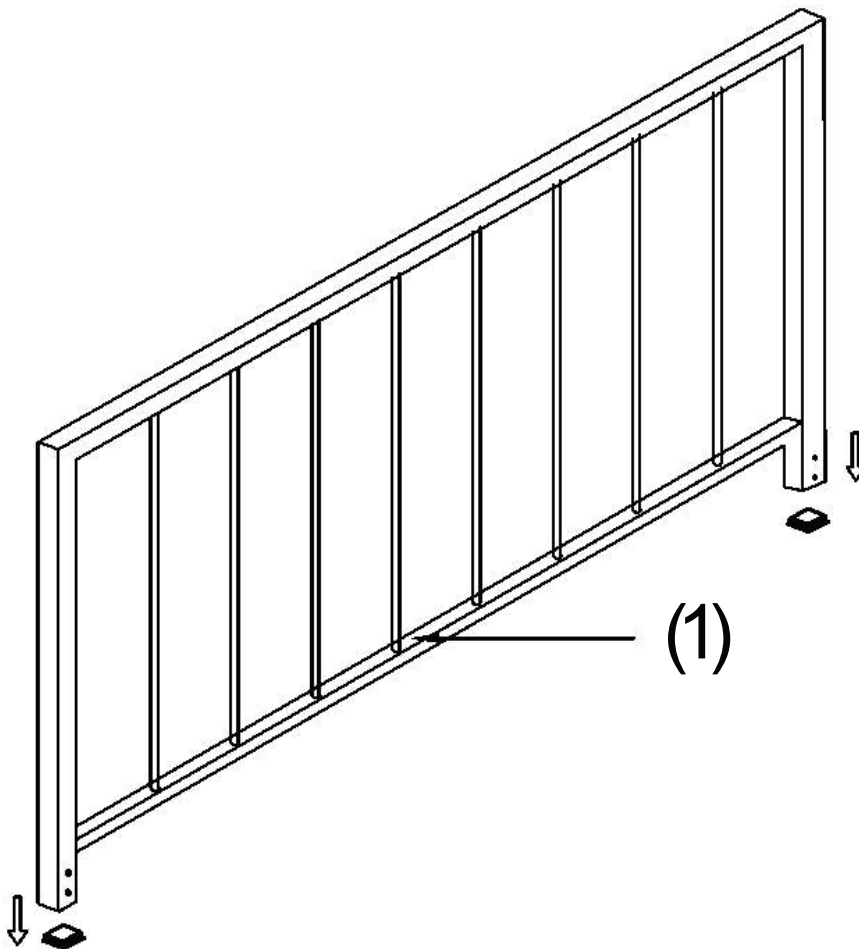
# Queen Bed

## Assembly Instructions

1

STEP

1. Ensure all parts have been removed from the carton. Place them on a protected surface or carpet.
2. Check that all parts and hardware are the same as those listed on the Parts List.
3. Take off the tube plug on the bed Headboard (1).



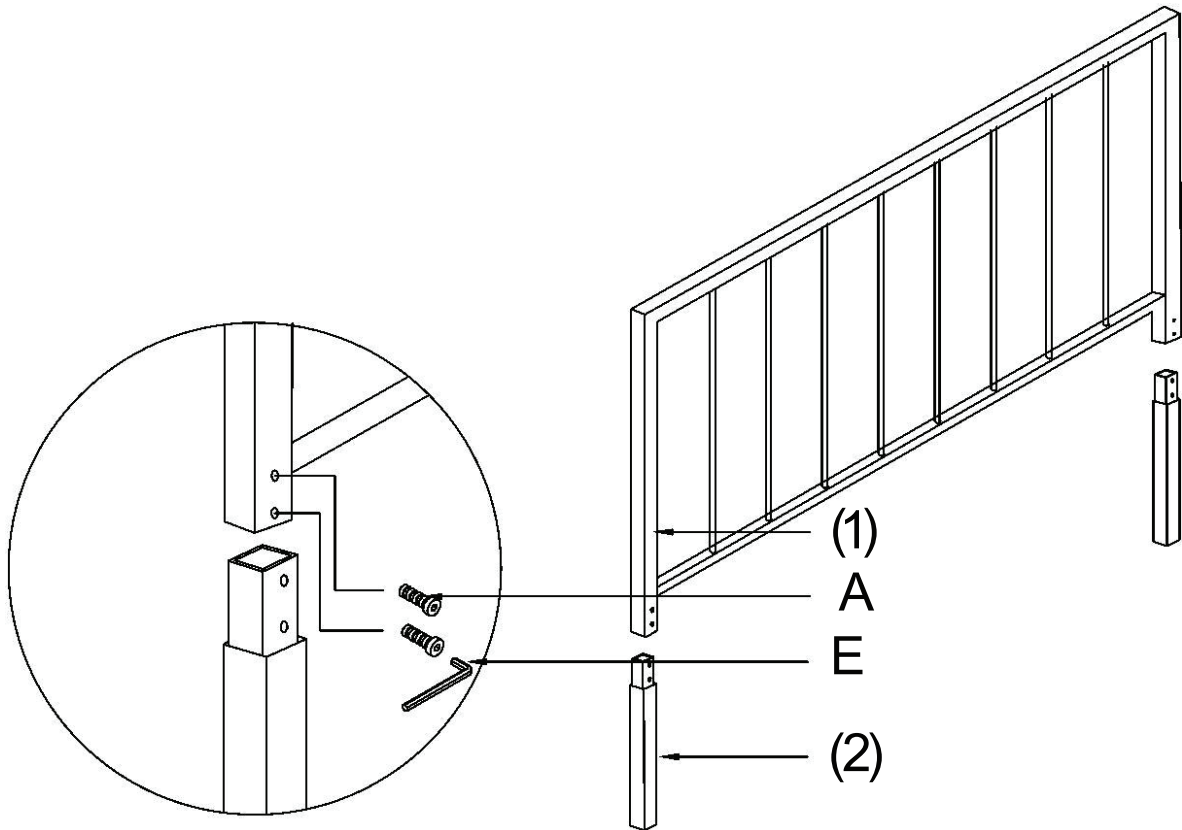
# Queen Bed

## Assembly Instructions

2

STEP

Attach the Headboard Legs (2) to the Headboard (1). Secure the legs using M6x20mm bolts (A) and tighten using the 4mm Allen Key (E).

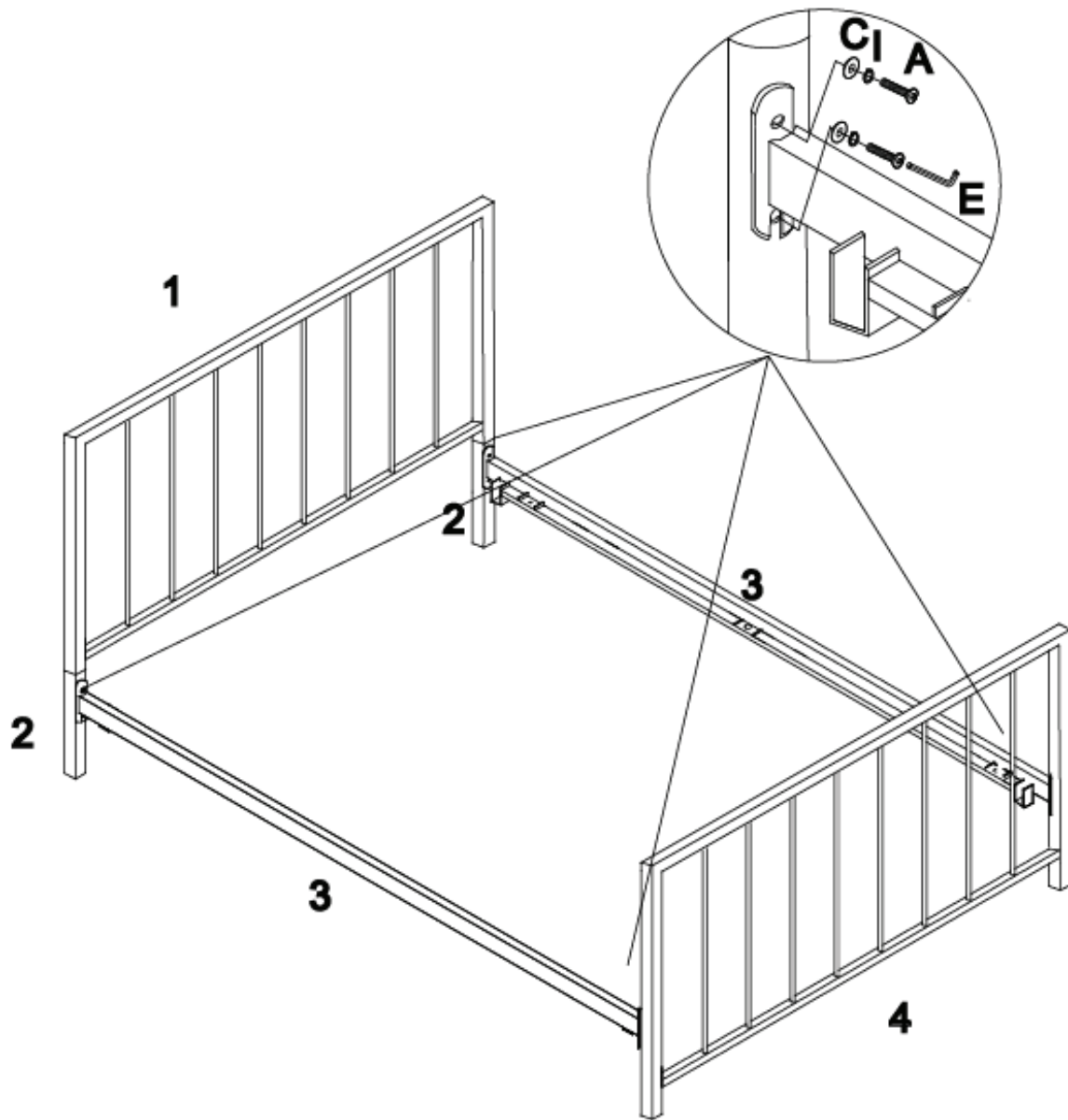


# Queen Bed

## Assembly Instructions

**3**  
STEP

Attach the side rails (3) to the Headboard Legs (2) and Footboard (4). Next, attach the side rails (3) to the Headboard (1) and Footboard (3), then secure by using 6x16x1.5mm metal washers (C), Spring Washers (I) and M6x20mm Bolts (A). Tighten with 4mm Allen Key (E) (see below image).



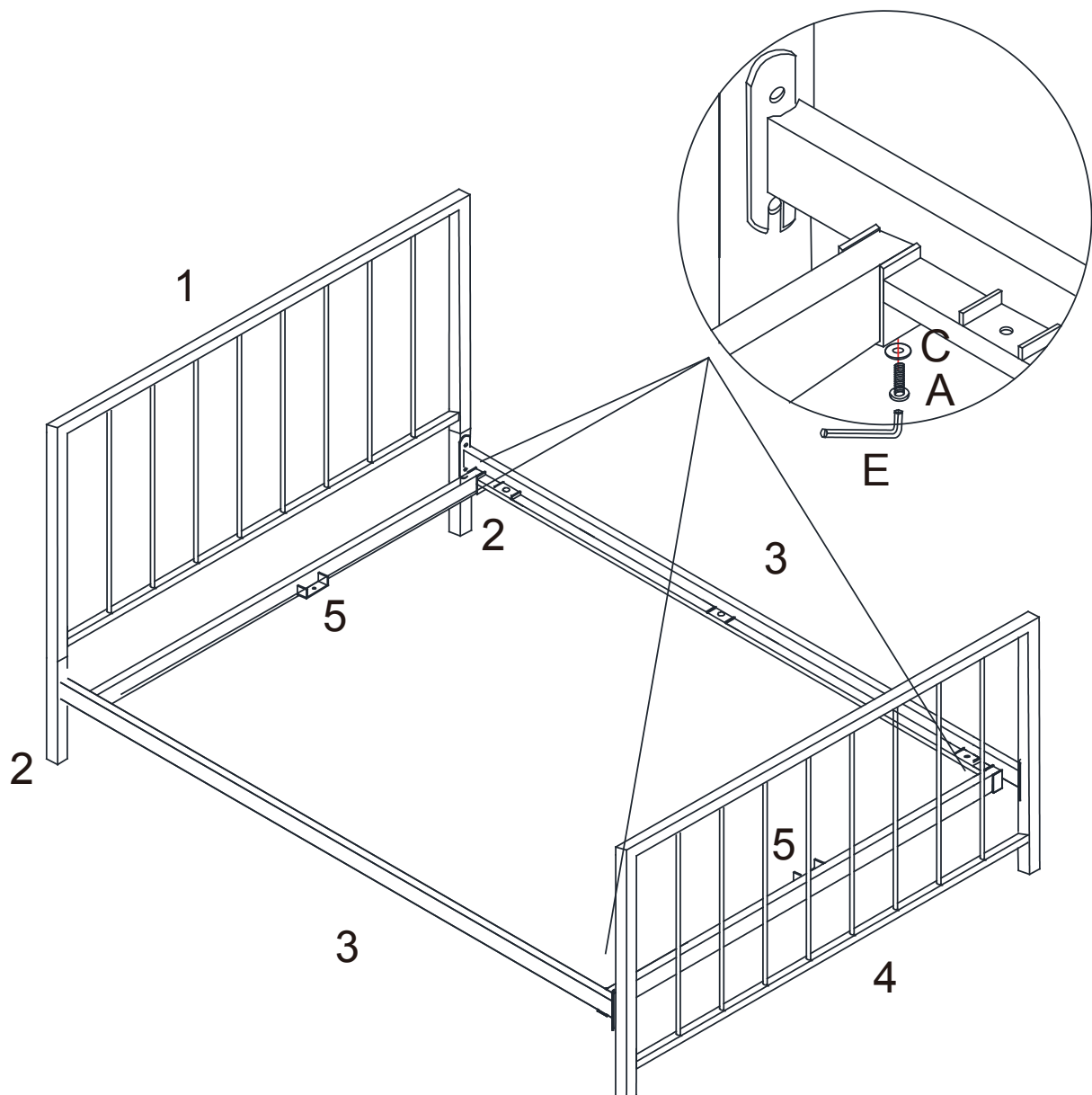
# Queen Bed

## Assembly Instructions

4

STEP

Attach the Cross Bar (5) into side rails (3) as shown in the image using M6x20mm Bolts (A), and 6x16x1.5mm Metal Washers (C). Tighten with the 4mm Allen Key (E).



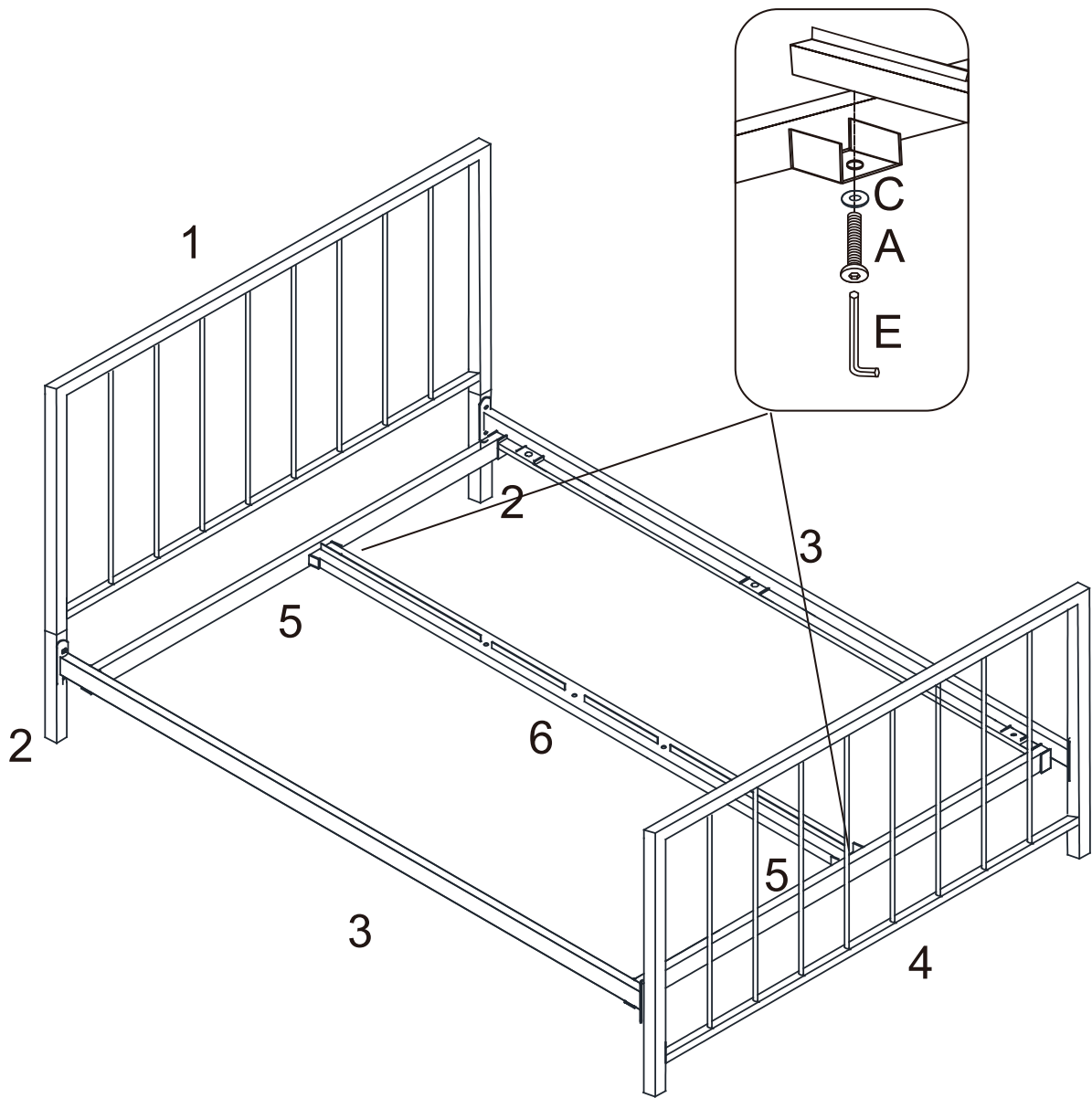
# Queen Bed

## Assembly Instructions

5

STEP

Attach the Center Rail (6) to the Cross Bar (5) using an M6x20mm Bolt (A) and a 6x16x1.5mm Metal Washer (C). Tighten with the 4mm Allen Key (E).



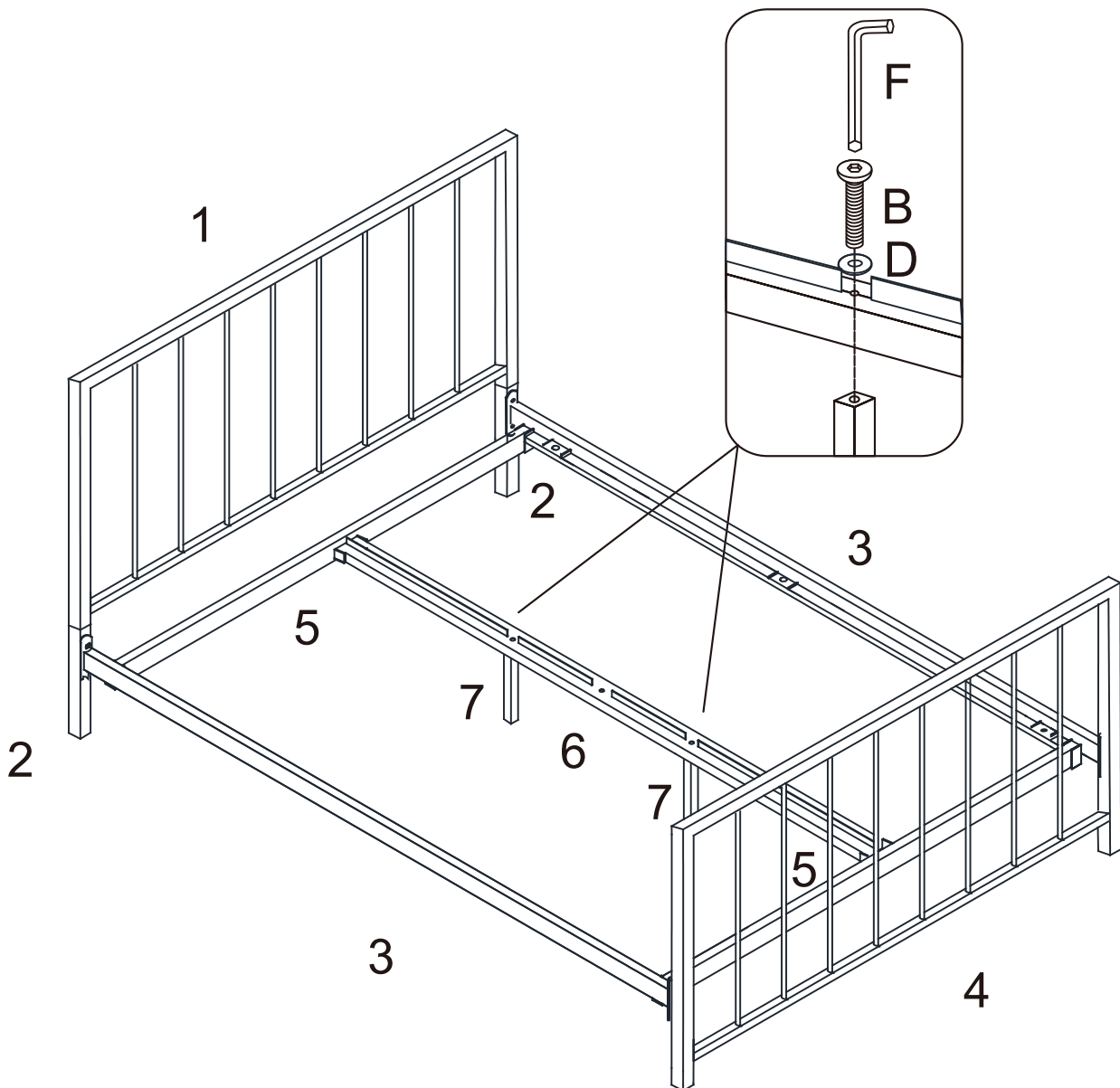
# Queen Bed

## Assembly Instructions

6

STEP

Attach the two support legs (7) to the central rail (6) and secure using M8x45mm Bolts (B) and 8x16x1.5mm Metal Washers (D). Tighten with the 6mm Allen Key (F).



# Queen Bed

## Assembly Instructions

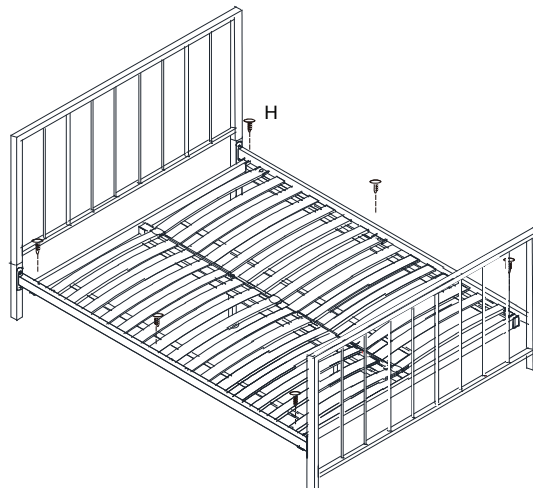
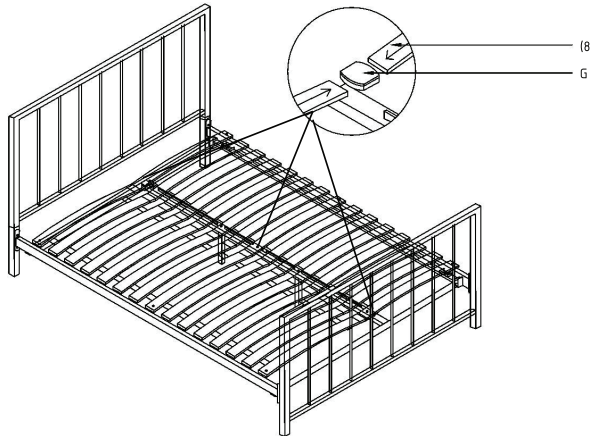
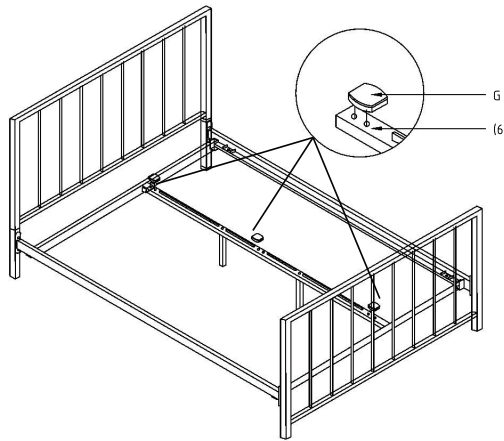
7

STEP

1. Attach the Plastic Cap (G) on Center Rail (6).

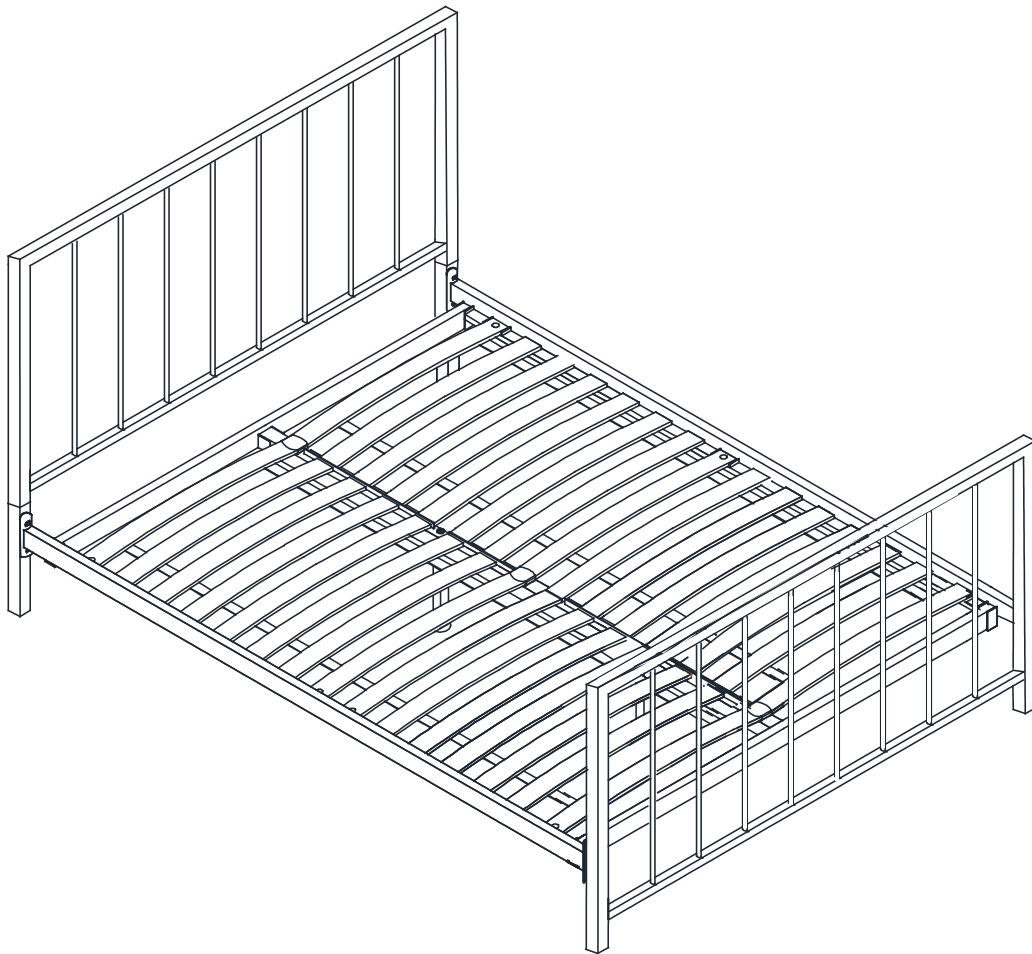
2. Lay all the slats (8) across the base of the bed, making sure they are the right way up (convex side facing up with the ribbon on the underside) and the slat end with the assembly hole on the outside position. Insert the end of slat into the Plastic Cap (G).

3. Affix the Plastic Pin (H) on the slats (8) to Side Rail (3) as shown in the below image.



# Queen Bed

## Assembly Instructions



Periodically (every 90 days) make sure that the bolts are fully tightened.  
**ATTENTION:** Be certain that all bolts are fully tightened before using bed

# Limited Warranty

The product you have purchased is warranted against defects in material and workmanship while owned by the "Original Purchaser." The term "Original Purchaser" is defined as the party or entity that purchases these products from and authorized dealer or retailer as shown by the original sales receipt. The warranty does not apply to "as is" or previously owned products.

The manufacturer warrants its products to be free from defects in materials and workmanship (normal wear and tear, fading and stretching excepted), for one year from the date of purchase, except as provided below under the limited warranty.

This warranty gives you specific rights, and you may also have other rights, which vary from state to state (or country to country). All warranties are limited to the Original Purchaser for normal use by a maximum of two users. Total weight capacity per chair is 250 pounds for a single user.

The exceptions or exclusions to this warranty are:

- Upholstery material and foam cushion material is warranted against defects in material and workmanship for a period of one year, beginning on the date of purchase as shown on the original sales receipt.
- Any warranty claim that is submitted after the limited warranty period, or without proper proof of purchase will not include the cost of parts, labor, or delivery on the warranted parts within a reasonable amount of time. We reserve the right to require damaged parts to be returned to us upon request. Natural markings such as scars, brands, grain variations, wrinkles, color variations, etc. will be considered normal characteristics and not construed as defects.
- For claims or questions concerning this warranty, please contact the Customer Service Department on the web. Be prepared to provide your name, address, daytime phone number, the model and purchase order number of the product, date of purchase, and the store where it was purchased. The manufacturer requires that the original sales receipt be submitted with all requests to confirm that you are the Original Purchaser according to our written warranty.