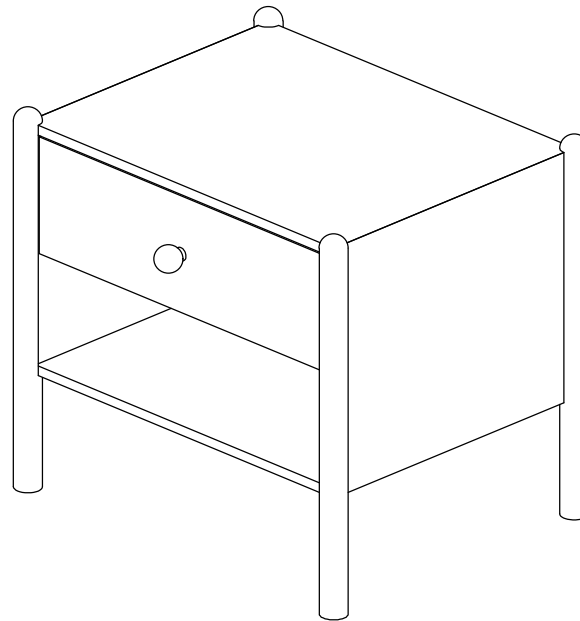



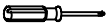

ASSEMBLY INSTRUCTIONS.

BILLY NIGHTSTAND



THANK YOU FOR YOUR PURCHASE !

HARDWARE LIST

No.	DESCRIPTION	IMAGE	Q'TY
H1	Anti Tip Kit		1 set
H2	Screw Driver		Not provided
H3	Anchor Bolt		Not provided

NOTES.

Thank you for purchasing this quality product! Be sure to check all packing material carefully for small part that may have come loose inside the carton during shipping.

CAUTION: The item is heavy, assembly should be performed by two people.

STEP 1.

