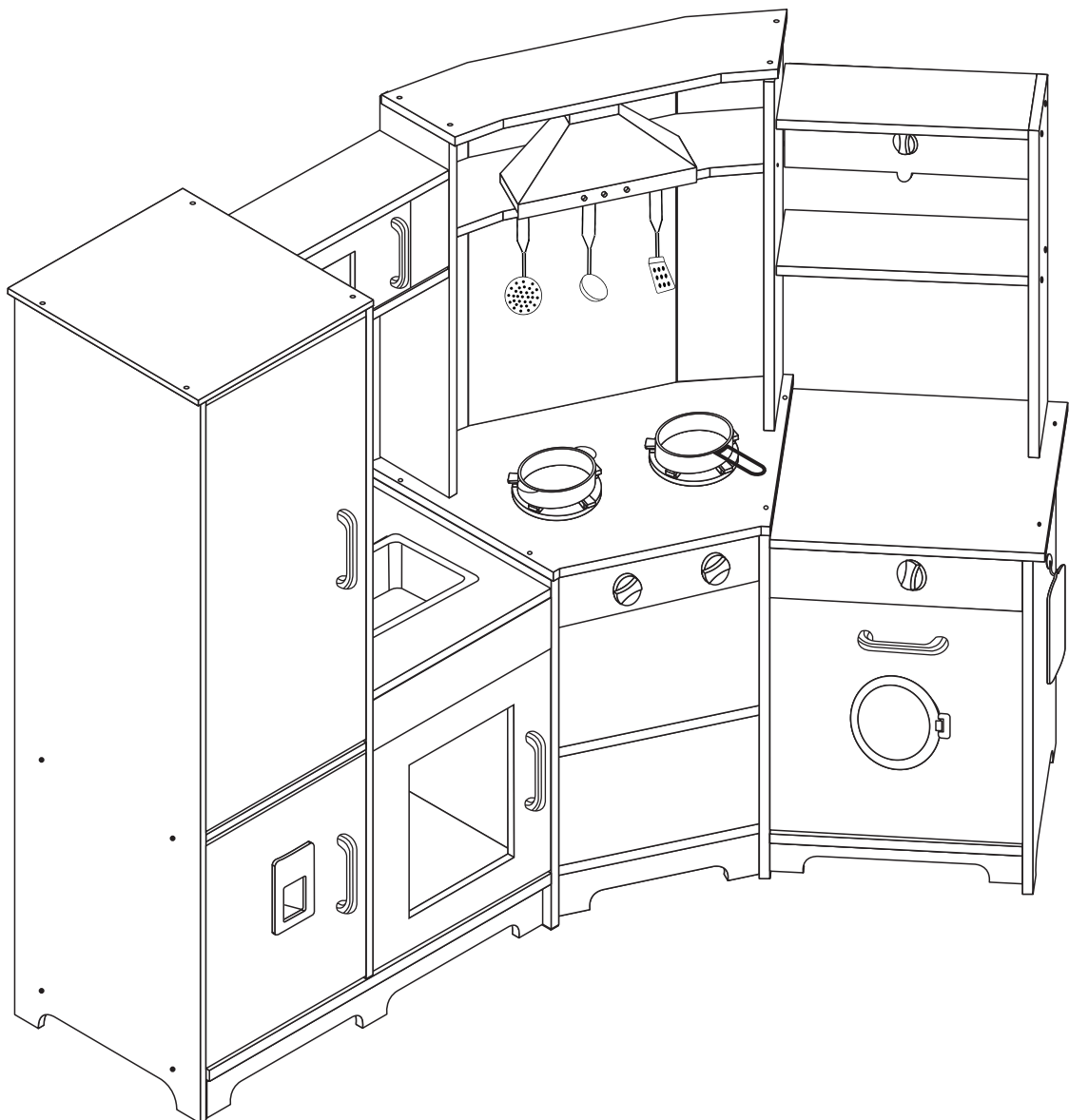


# Wooden Chef's Pretend Play Toy Kitchen





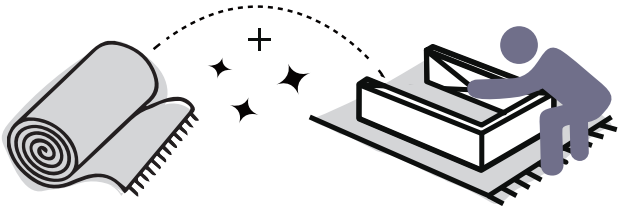
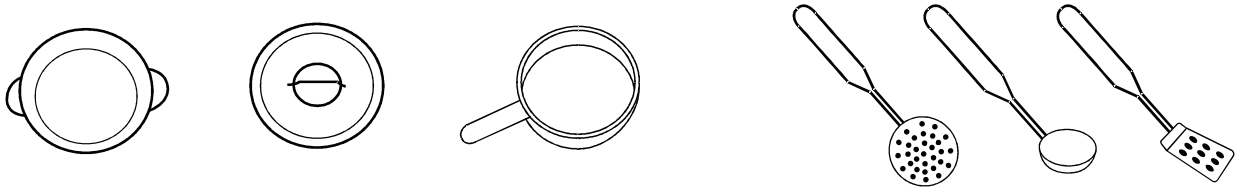
 **WARNING:**  
Assembly by an adult.

**WARNING:**

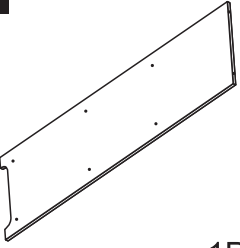
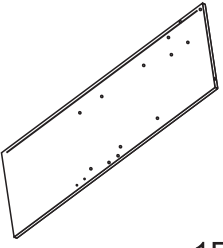
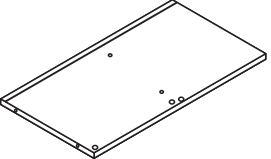
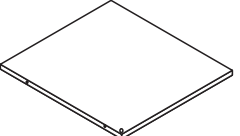
1. CHOKING HAZARD—Small parts. Not for children under 3 years.
2. For adult assembly only. Keep children away during assembly.
3. To be used under direct adult supervision.
4. Place it on a flat and clean floor. Ensure all parts are securely connected before use.

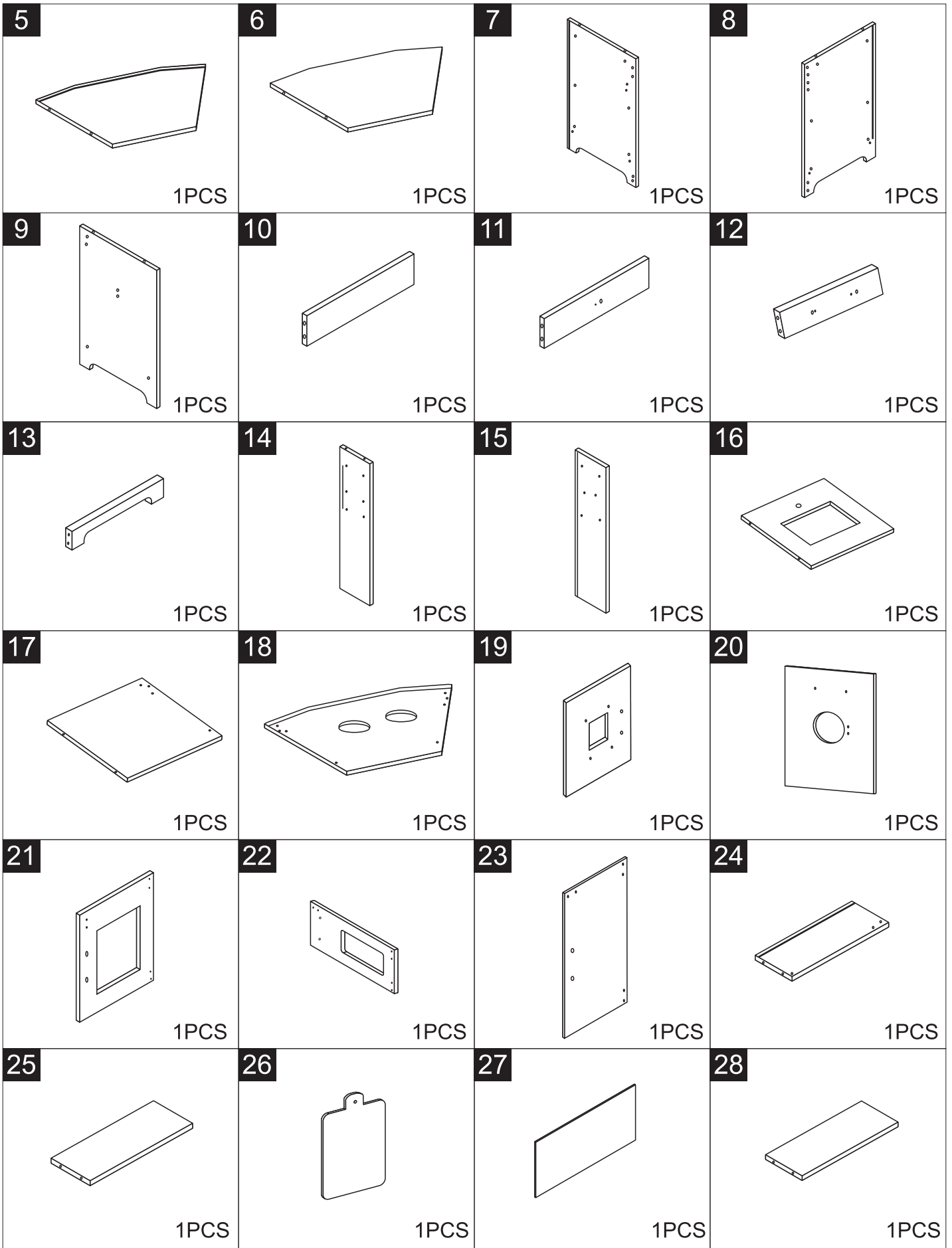
**MAINTENANCE & CARE**

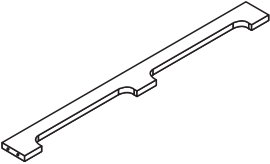
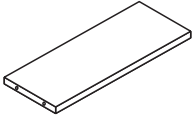
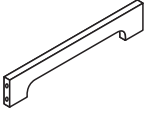
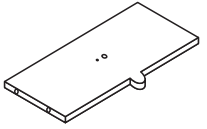
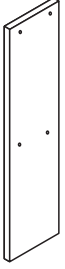
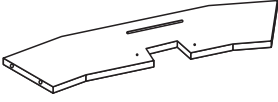
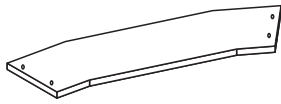
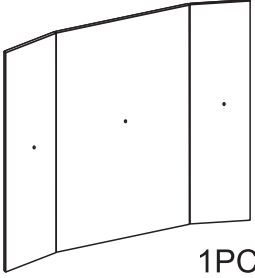
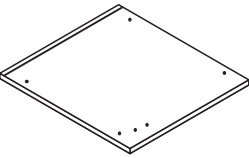

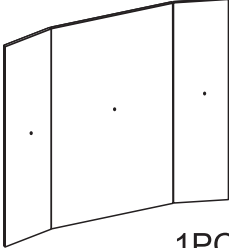
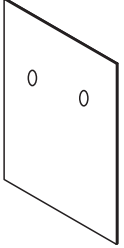
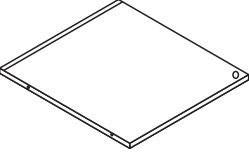
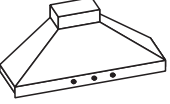

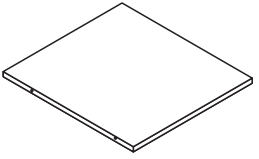

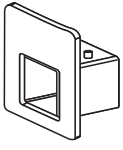


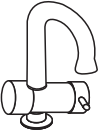
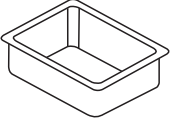


- A. Keep all instructions and parts relating to this product for future reference.
- B. Please wipe down with a dry or damp cloth.


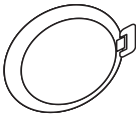

<b>TOOLS REQUIRED</b>	<b>ASSEMBLY BY ADULT ONLY!</b>	
 <b>CROSS SCREWDRIVER</b>	 <b>6xAAA BATTERIES</b>	
<b>Note: Not Included</b> in the package.		
<b>INCLUDED ACCESSORIES</b>		
		









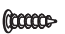







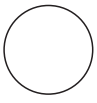
**PARTS LIST**

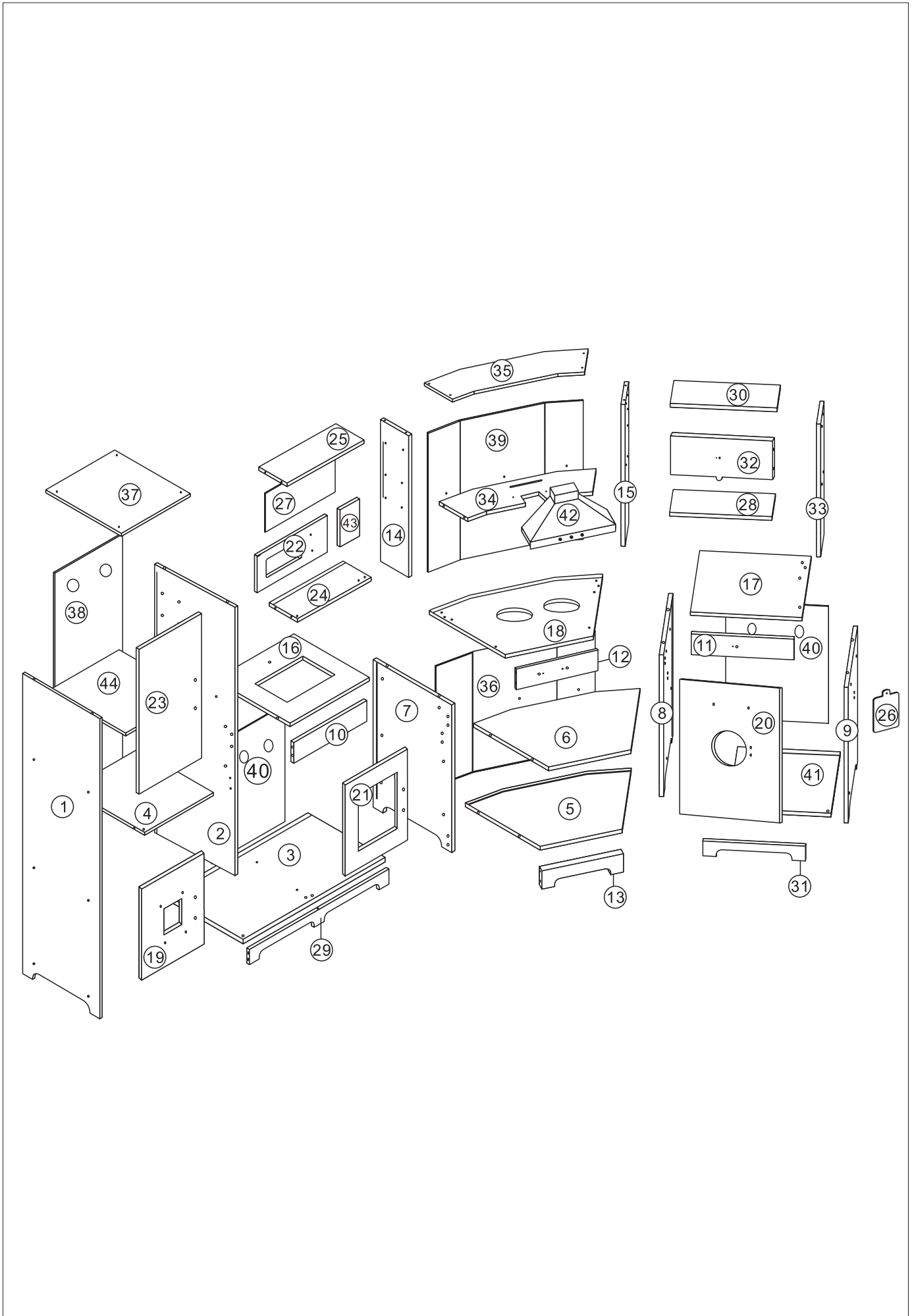
<b>1</b>	<b>2</b>	<b>3</b>	<b>4</b>
 <b>1PCS</b>	 <b>1PCS</b>	 <b>1PCS</b>	 <b>1PCS</b>



<p><b>29</b></p>  <p>1PCS</p>	<p><b>30</b></p>  <p>1PCS</p>	<p><b>31</b></p>  <p>1PCS</p>	<p><b>32</b></p>  <p>1PCS</p>
<p><b>33</b></p>  <p>1PCS</p>	<p><b>34</b></p>  <p>1PCS</p>	<p><b>35</b></p>  <p>1PCS</p>	<p><b>36</b></p>  <p>1PCS</p>
<p><b>37</b></p>  <p>1PCS</p>	<p><b>38</b></p>  <p>1PCS</p>	<p><b>39</b></p>  <p>1PCS</p>	<p><b>40</b></p>  <p>2PCS</p>
<p><b>41</b></p>  <p>1PCS</p>	<p><b>42</b></p>  <p>1PCS</p>	<p><b>43</b></p>  <p>1PCS</p>	<p><b>44</b></p>  <p>1PCS</p>
<p><b>45</b></p>  <p>2PCS</p>	<p><b>46</b></p>  <p>1PCS</p>	<p><b>47</b></p>  <p>1PCS</p>	<p><b>48</b></p>  <p>2PCS</p>
<p><b>49</b></p>  <p>1PCS</p>	<p><b>50</b></p>  <p>1PCS</p>	<p><b>51</b></p>  <p>4PCS</p>	<p><b>52</b></p>  <p>1PCS</p>

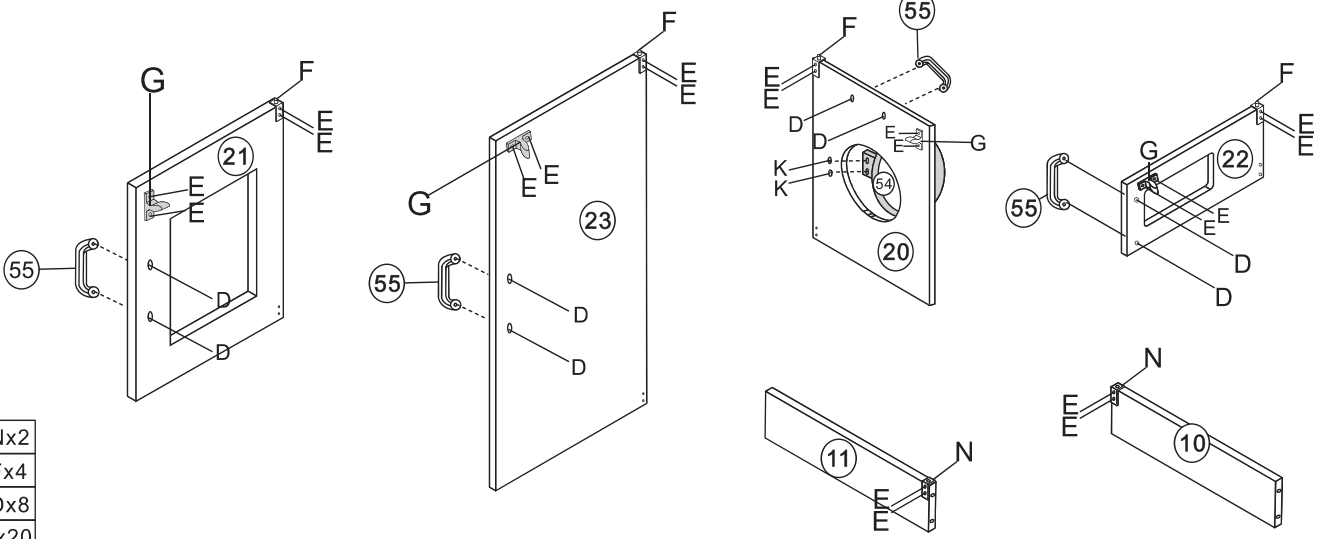
<p><b>53</b></p>  <p>1PCS</p>	<p><b>54</b></p>  <p>1PCS</p>	<p><b>55</b></p>  <p>5PCS</p>
--	--	--

<p><b>A</b></p>  <p>(Ø 4x30mm)</p> <p>(X1 extra) 81PCS</p>	<p><b>B</b></p>  <p>(Ø 5x25mm)</p> <p>(X2 extra) 24PCS</p>	<p><b>C</b></p>  <p>(Ø 4x8mm)</p> <p>(X1extra) 6PCS</p>	<p><b>D</b></p>  <p>(Ø 4x18mm)</p> <p>(X3 extra) 20 PCS</p>
<p><b>E</b></p>  <p>(Ø 3x8mm)</p> <p>(X3 extra) 44 PCS</p>	<p><b>F</b></p>  <p>10PCS</p>	<p><b>G</b></p>  <p>5PCS</p>	<p><b>H</b></p>  <p>5PCS</p>
<p><b>I</b></p>  <p>(Ø 3x16mm)</p> <p>(X1 extra) 2PCS</p>	<p><b>J</b></p>  <p>3PCS</p>	<p><b>K</b></p>  <p>(Ø 4x14mm)</p> <p>(X1 extra) 3PCS</p>	<p><b>L</b></p>  <p>4PCS</p>
<p><b>M</b></p>  <p>5 PCS</p> <p>(X1 extra)</p>	<p><b>N</b></p>  <p>2PCS</p>	<p><b>O</b></p>  <p>(Ø 3x14mm)</p> <p>(X1 extra) 2PCS</p>	<p><b>P</b></p> <p>Anti-dumping Kit</p>  <p>1PCS</p>
<p><b>Q</b></p> <p>Hole stickers</p>  <p>38PCS</p>			



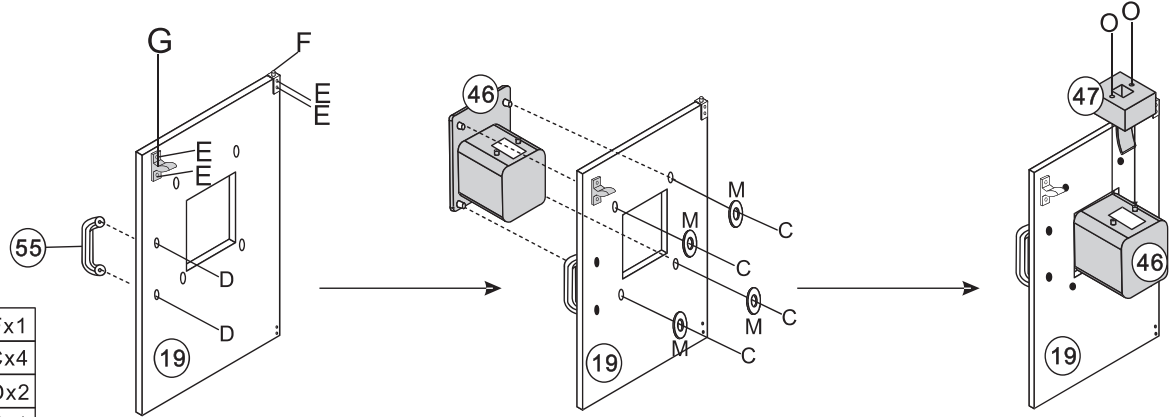
# ASSEMBLY STEPS

## 1



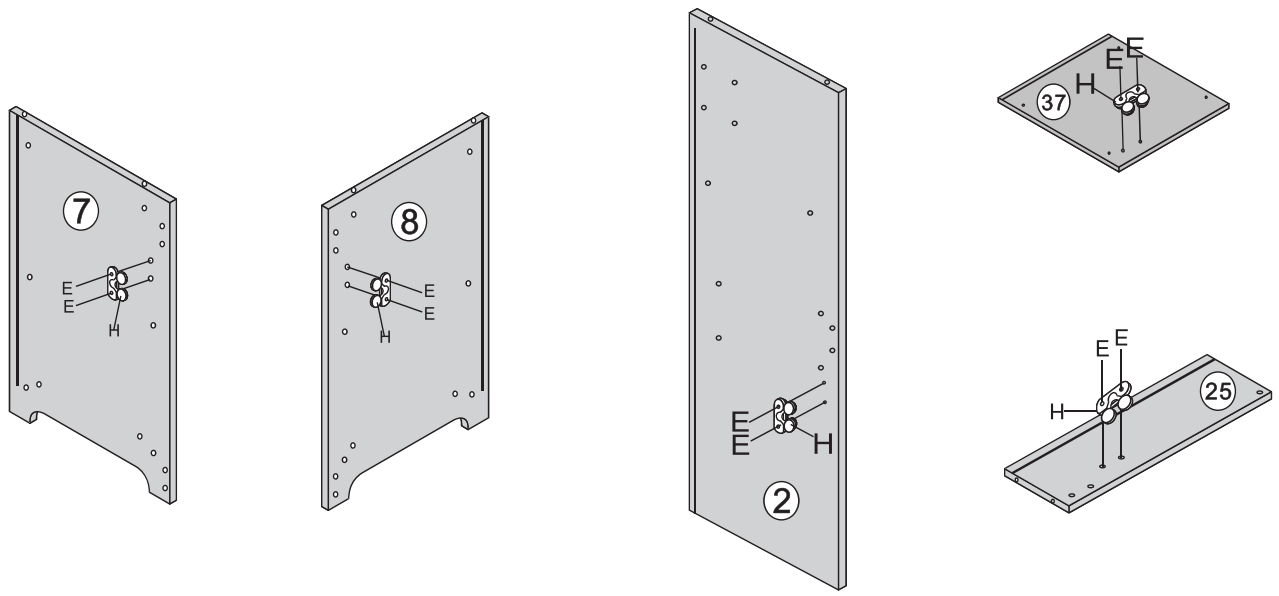
- Nx2
- Fx4
- Dx8
- Ex20
- Gx4
- Kx2

## 2



- Fx1
- Cx4
- Dx2
- Ex4
- Gx1
- Ox2
- Mx4

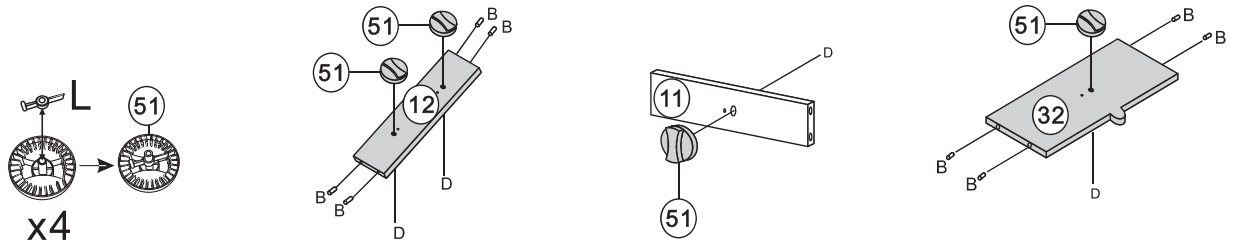
## 3



- Ex10
- Hx5

# ASSEMBLY STEPS

4



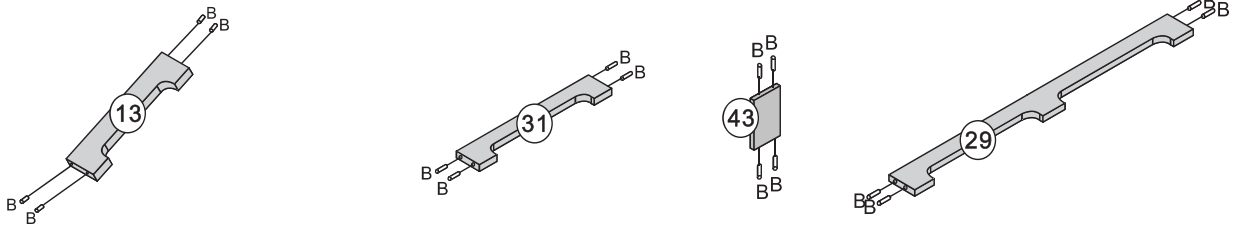
Bx8

Dx4

Lx4

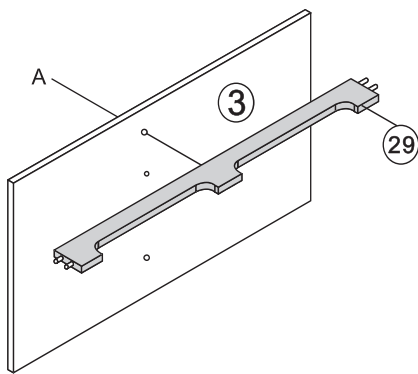
x4

5



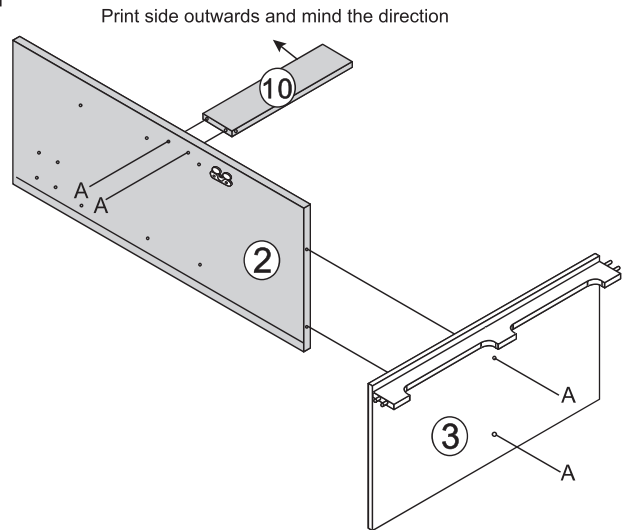
Bx16

6



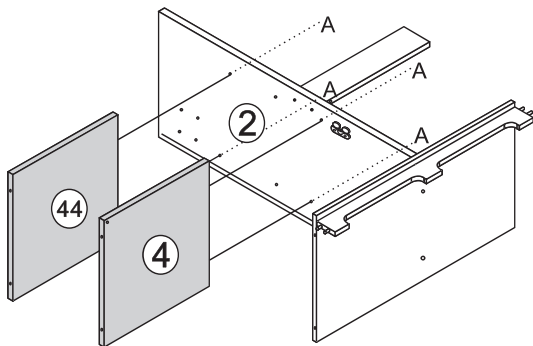
Ax1

7



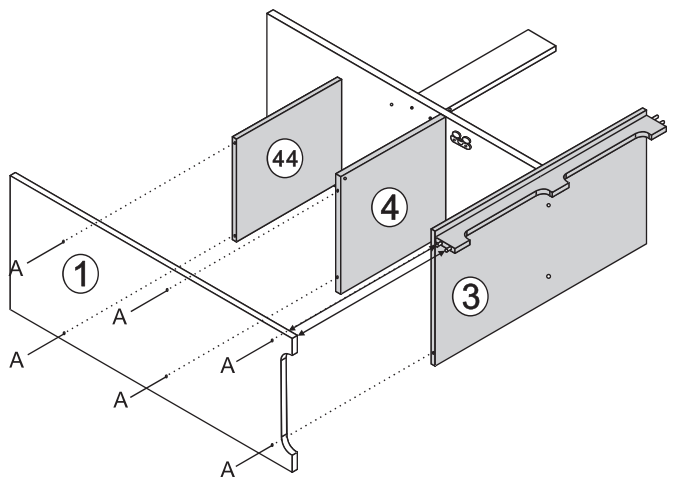
Ax4

8



Ax4

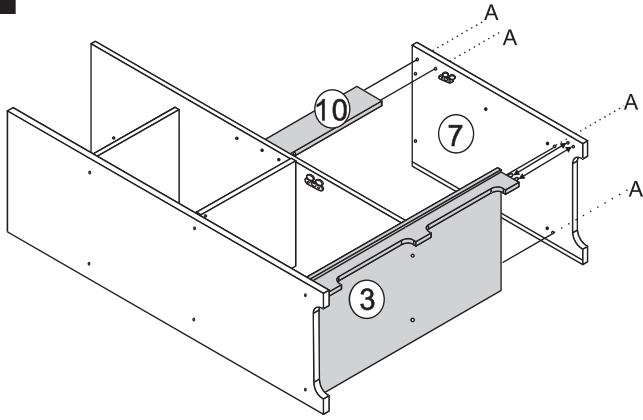
9



Ax6

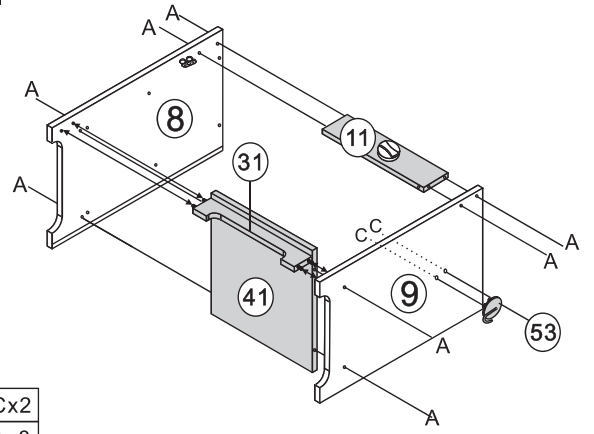
# ASSEMBLY STEPS

10



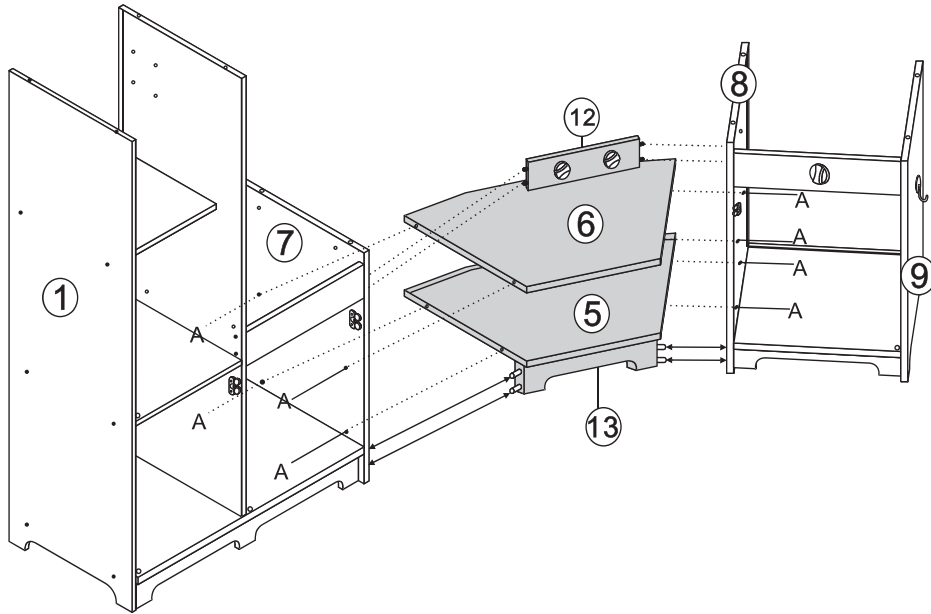
Ax4

11



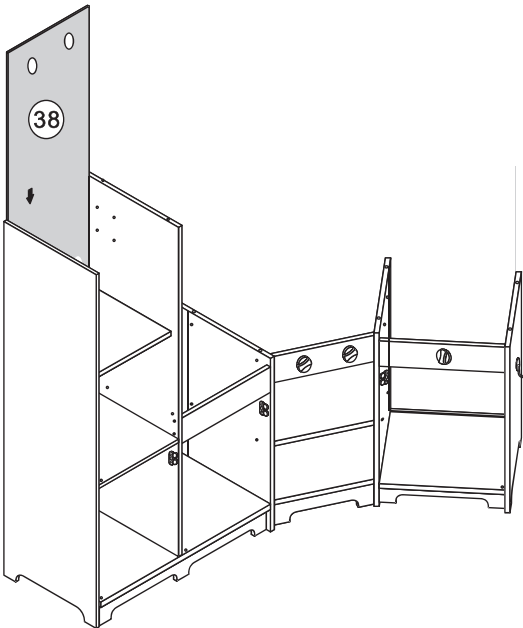
Cx2  
 Ax8

12

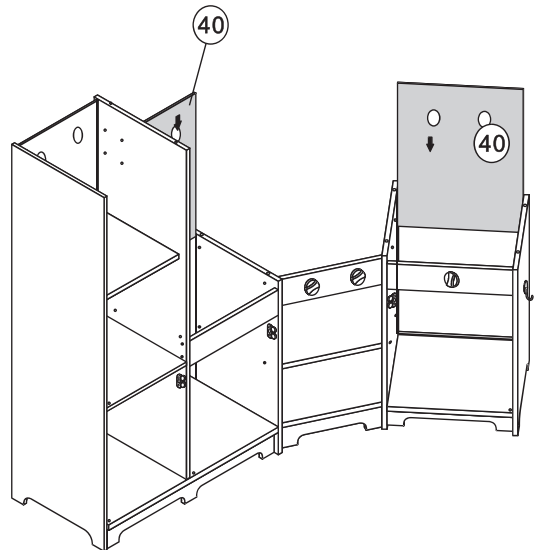


Ax8

13

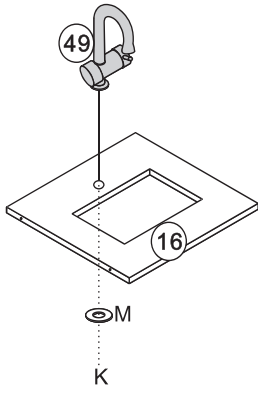


14



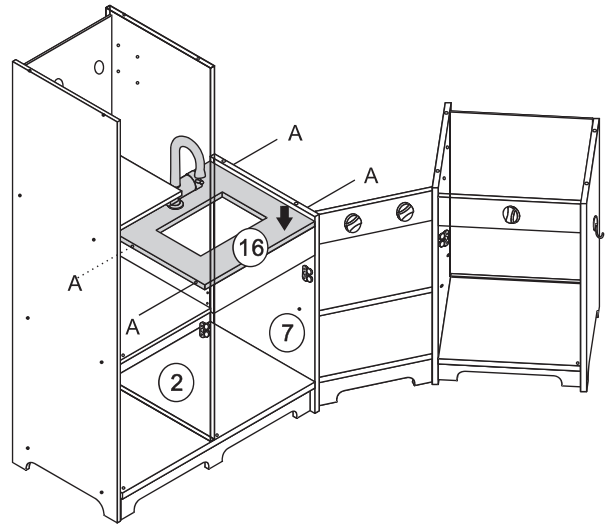
# ASSEMBLY STEPS

15



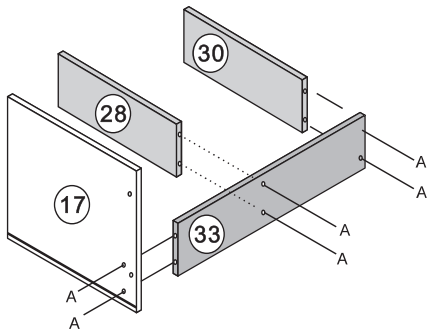
- Kx1
- Mx1

16



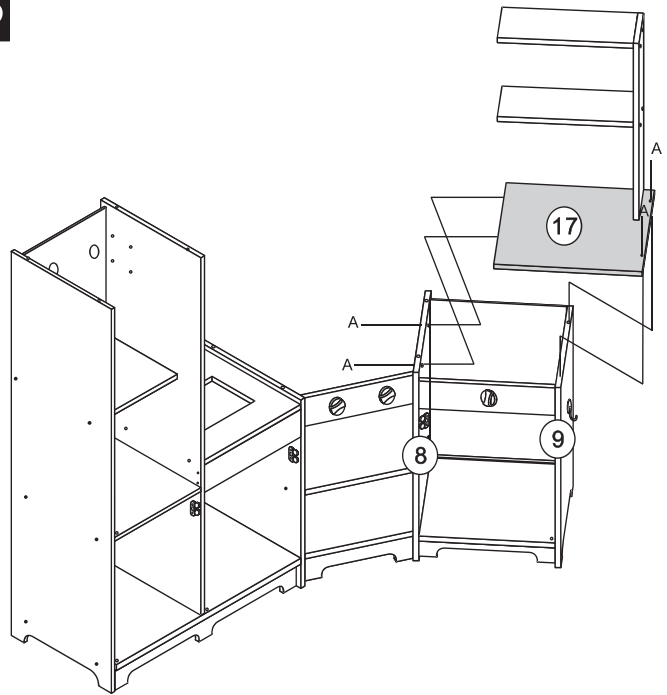
- Ax4

17



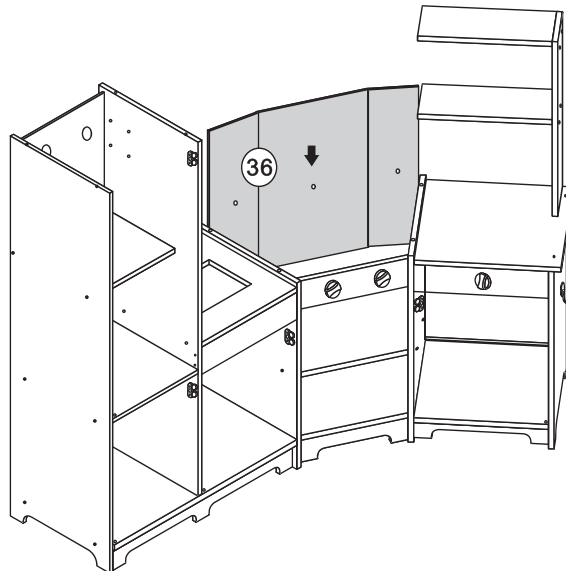
- Ax6

18



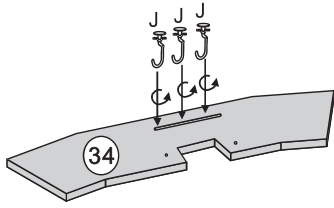
- Ax4

19



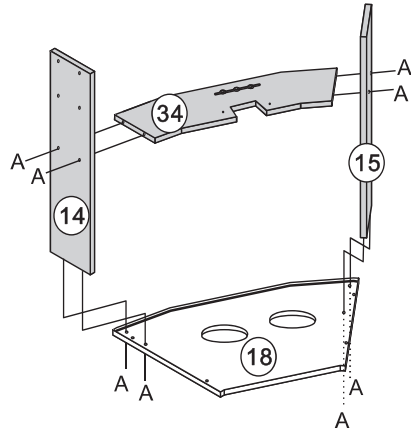
# ASSEMBLY STEPS

20



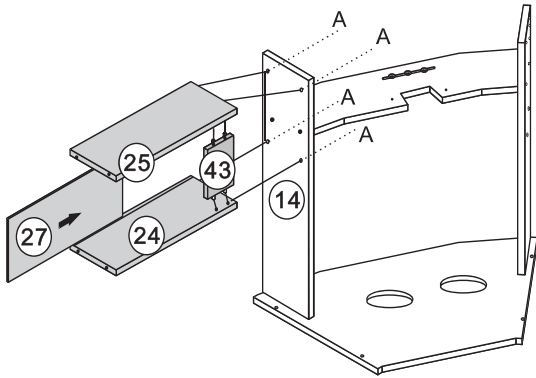
Jx3

21



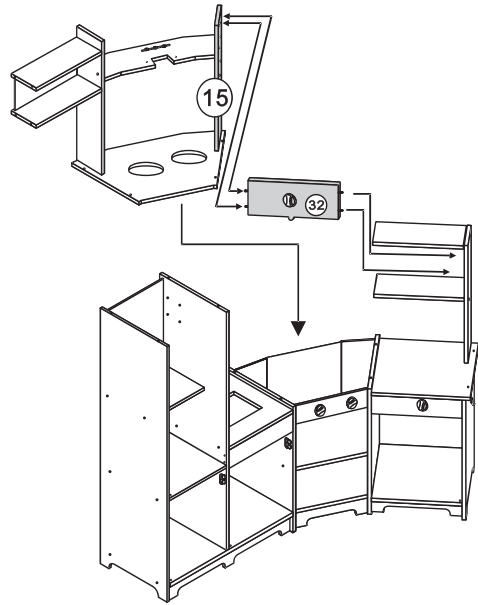
Ax8

22

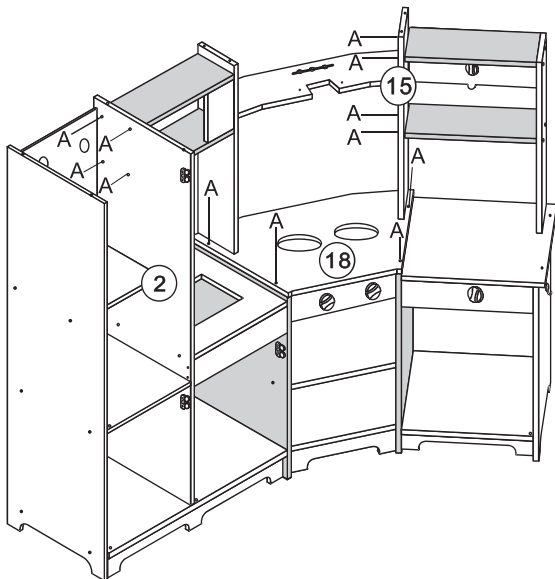


Ax4

23

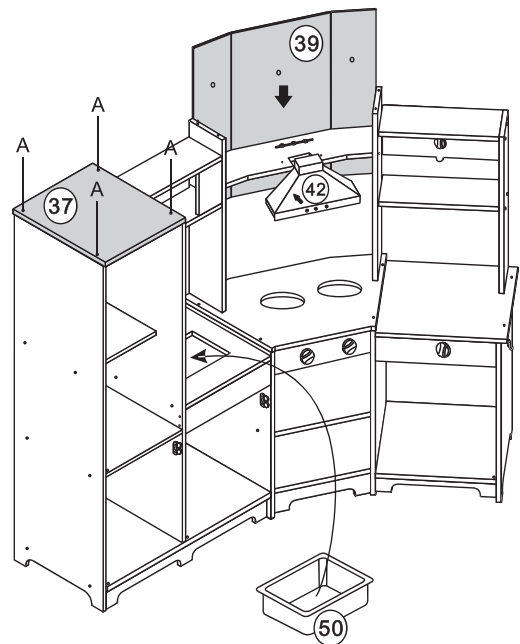


24



Ax12

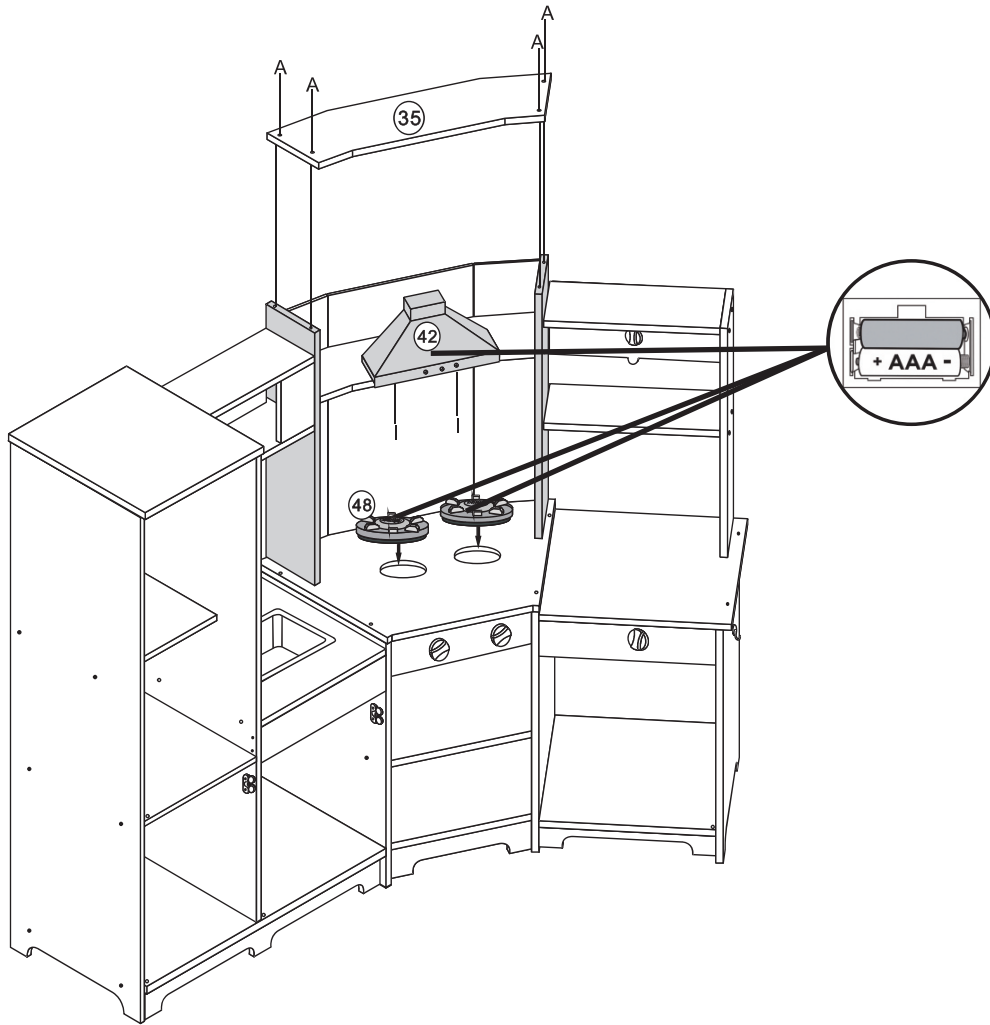
25


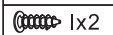


Ax4

# ASSEMBLY STEPS

26



-  Ax4
-  lx2

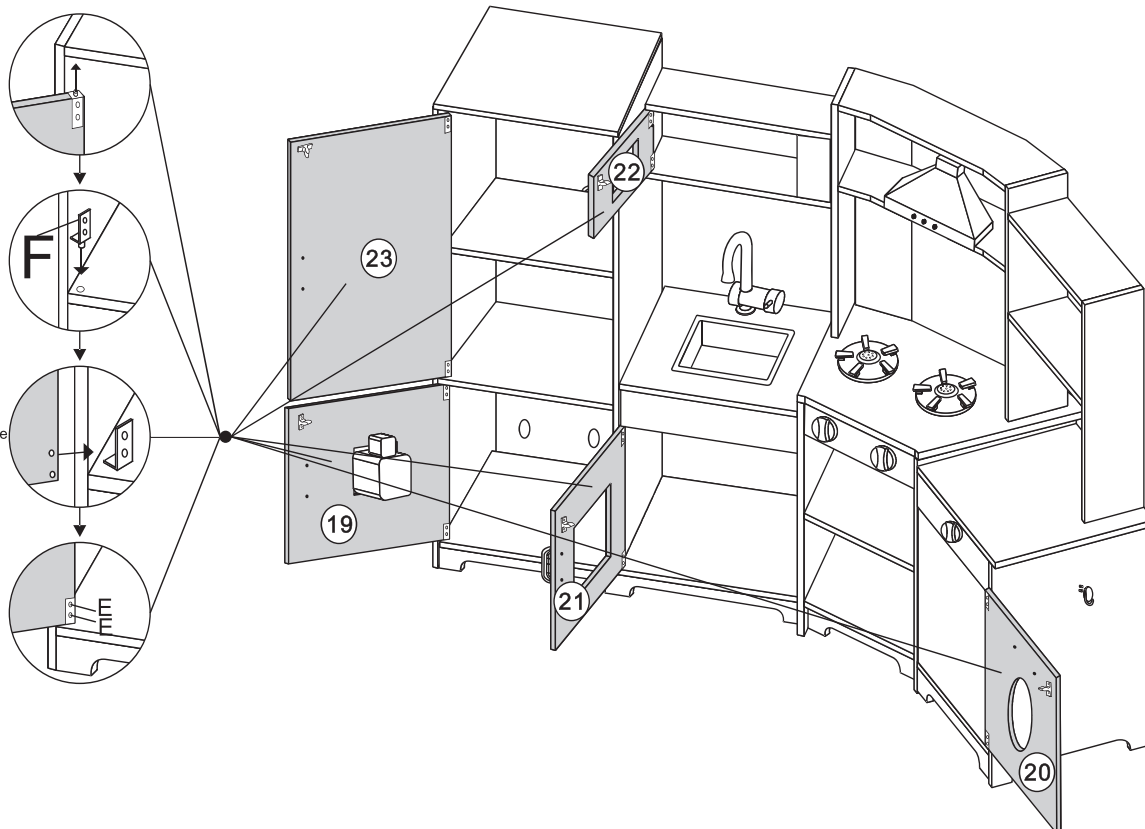
27


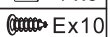
**Step 1:**  
Match the doors top hinge into the hole

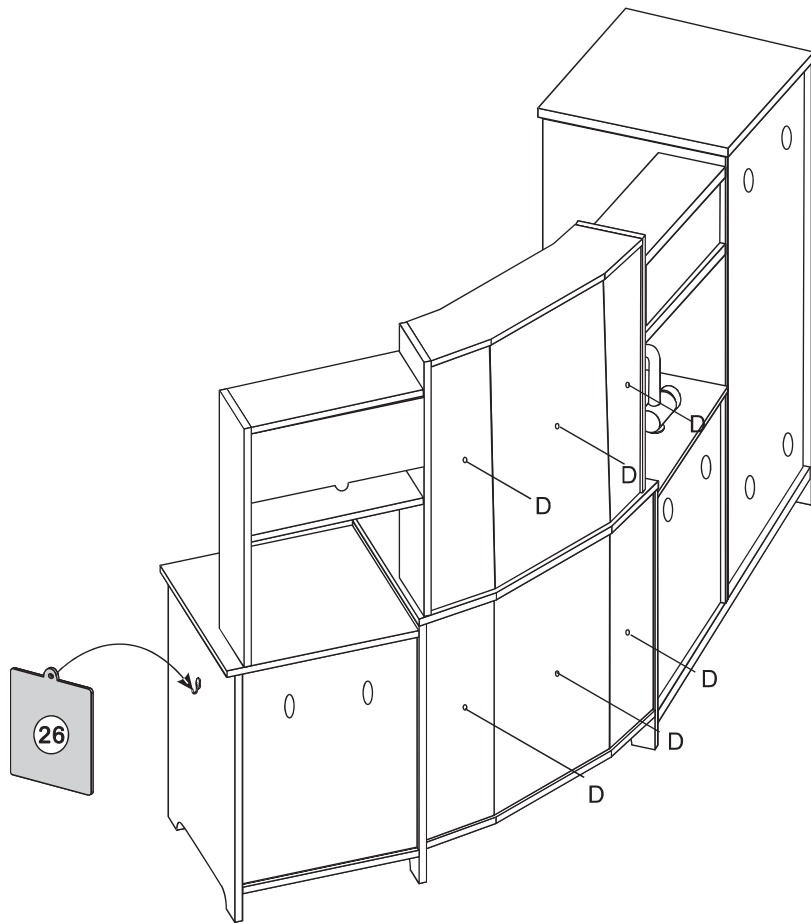
**Step 2:**  
Put the hinge F into the bottom

**Step 3:**  
Insert the door into the hinge

**Step 4:**  
Tighten with screws E

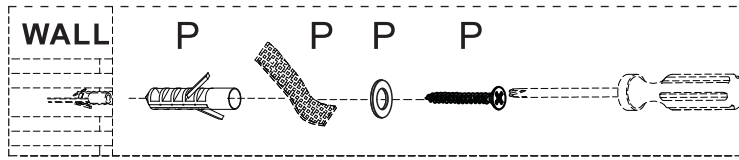


-  Fx5
-  Ex10

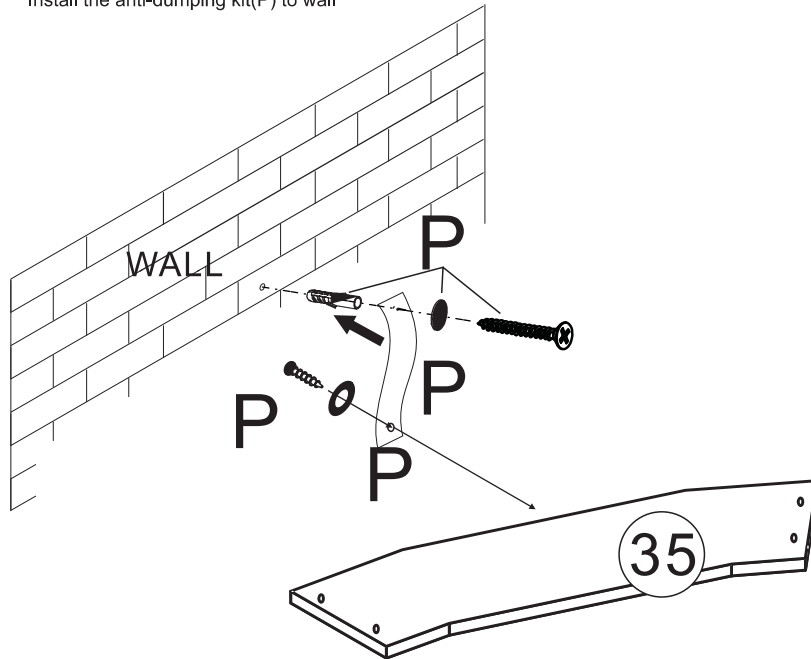


# ASSEMBLY STEPS

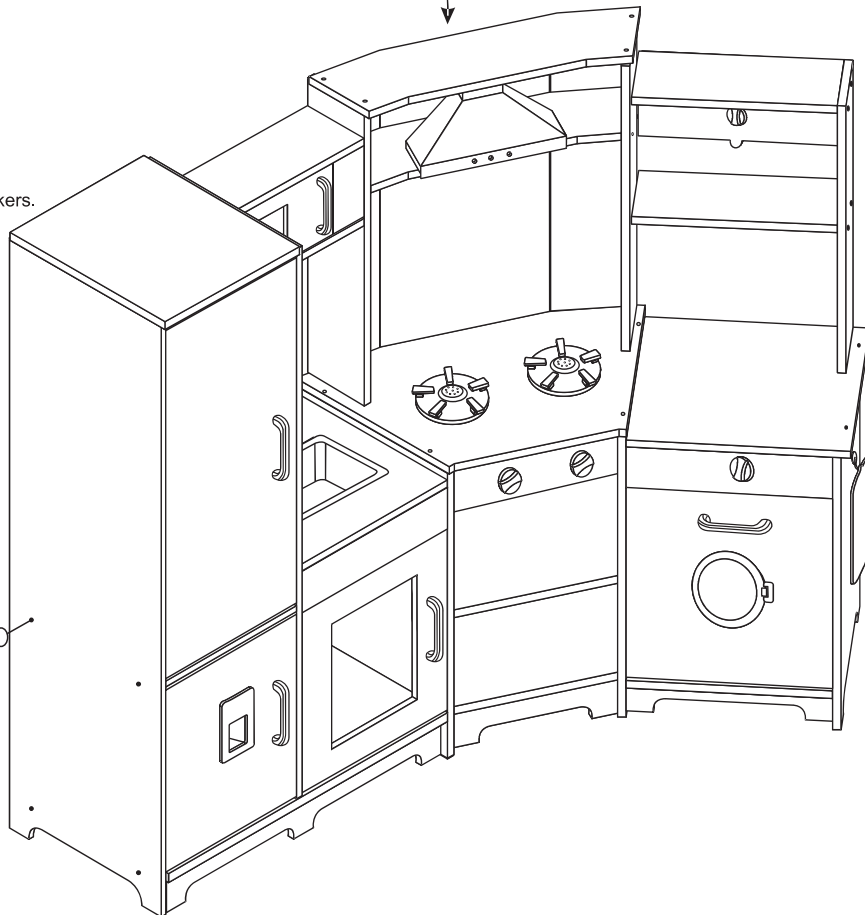
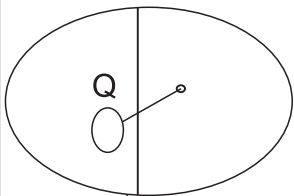
29



Install the anti-dumping kit(P) to wall



Cover the screw heads with hole stickers.



**Manufacturer: Zhejiang Hongtai Handicraft Co., Ltd**  
**Address: Jiaoyang Industrial Park, Taishun county, Wenzhou**  
**City, 325500, Zhejiang Province, China**

**Made in China**



**CPC**  
Children's  
Product Certification

