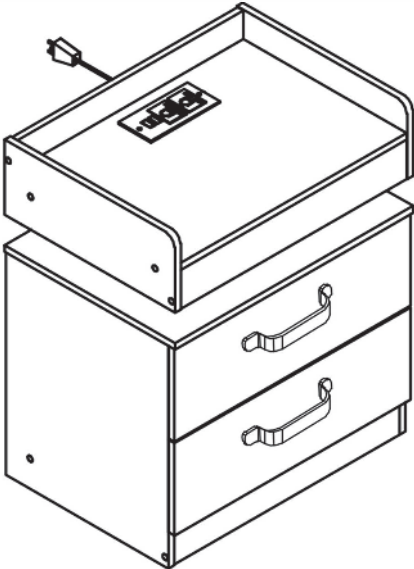
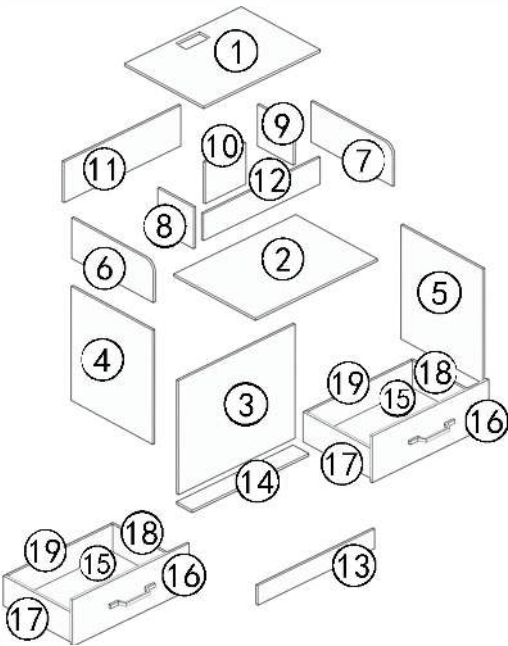


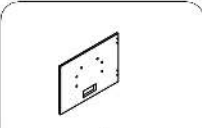
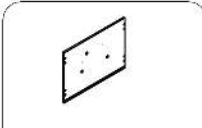
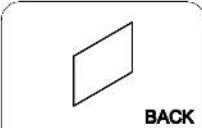
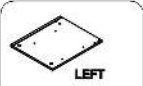



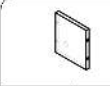
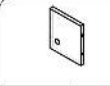
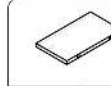
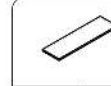


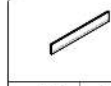
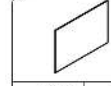
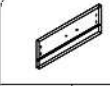
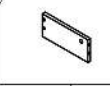

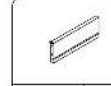
Installation & Assembly



BOARD IDENTIFICATION





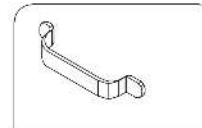

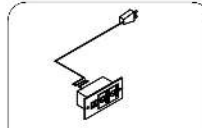



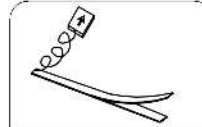



Part List

			
1 1PC	2 1PC	3 1PC	
Top Board	Board	Back Board	
			
4 1PC	5 1PC	6 1PC	7 1PC
Left Board	Right Board	Left Board	Right Board
			
8 1PC	9 1PC	10 1PC	11 1PC
Left Middle Board	Right Middle Board	Front Middle Board	Back Board
			
12 1PC	13 1PC	14 1PC	15 2PC
Front Middle Batten	Bottom Batten	Back Batten	Back Board
			
16 2PC	17 2PC	18 2PC	19 2PC
Drawer Front board	Drawer left board	Drawer right board	Drawer Back board

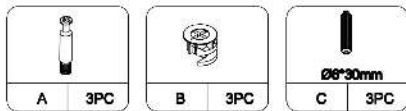
1

Hardware List

		
A 11PC	B 11PC	C 26PC
CAM BOLT	CAM LOCK	WOODEN PEG
		
Ø4*30mm		M4*15mm
D 23PC	E 2PC	F 4PC
SCREW	HANDLE	SCREW
		
G 1PC	H 2PC	I 2PC
USB	LEFT RAIL	RIGHT RAIL
		
Ø3.*12mm		
J 18PC	K 1PC	L 12PC
SCREW	LIGHT STRIP	WASHERS

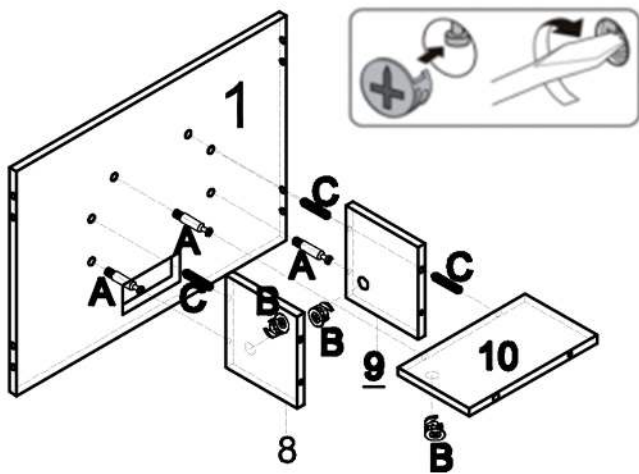
2

STEP 1



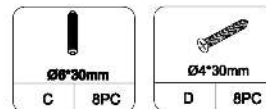
Insert (C) into part (1). Attach cam bolt (A) to part (1) with screwdriver.

Attach part (1) to part (8,9,10). Then use attach part (B) to lock them.

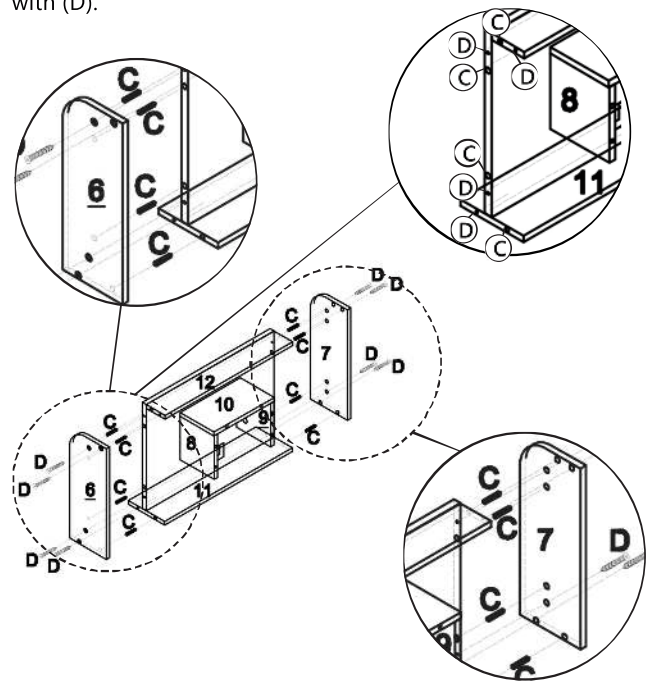


3

STEP 2

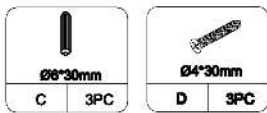


Insert (C) into part (1,11,12). Attach part (6,7) to part (1,11,12) with (D).

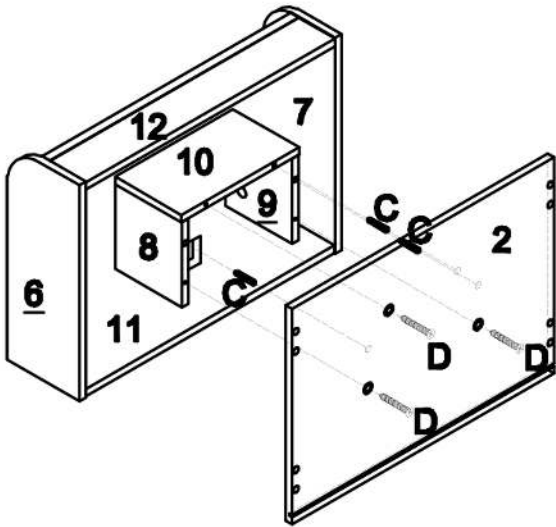


4

STEP 3



Insert (C) into part (8,9,10). Attach part (2) to part (8,9,10) with (D).



5

STEP 4

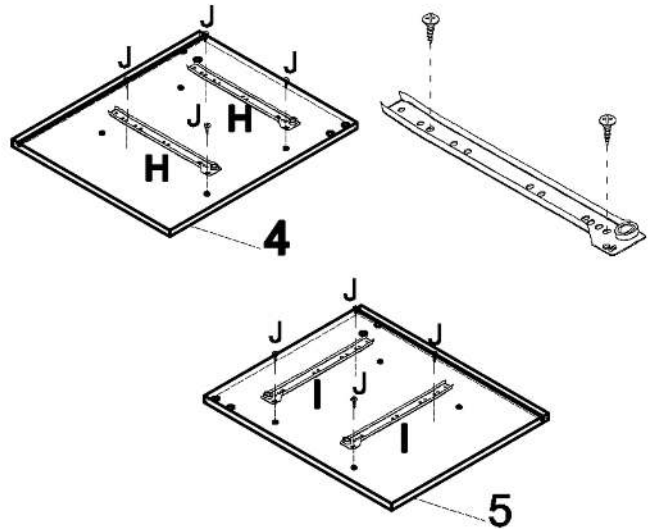


Using screw (J), attach (H) to (4).

Using screw (J), attach (I) to (5).

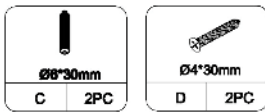
Notice:

Note the orientation and hole location of (H) and (I).

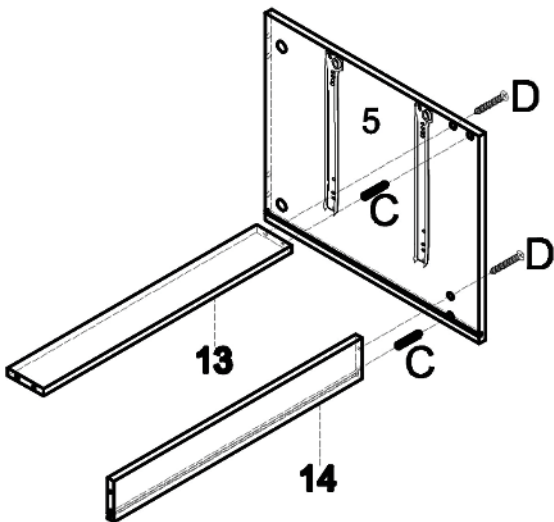


6

STEP 5

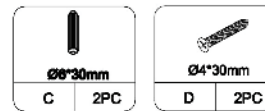


Insert (C) into part (5). Attach part (5) to part (13,14) with (D).

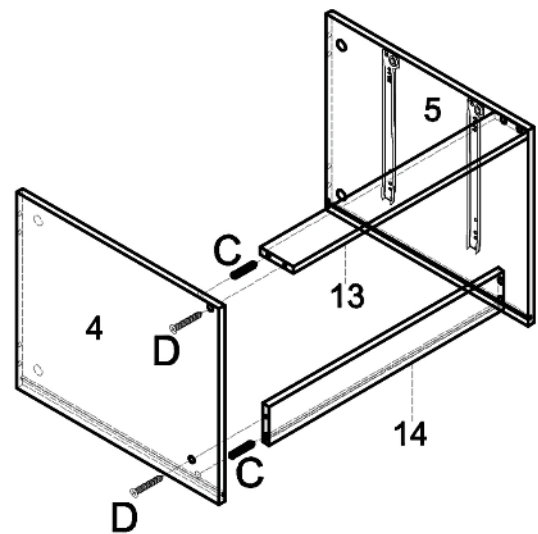


7

STEP 6

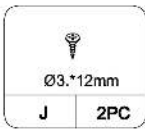
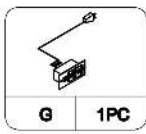


Insert (C) into part (13,14). Attach part (4) to part (13,14) with (D).



8

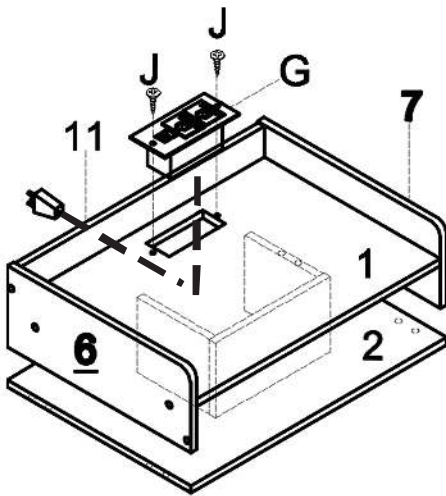
STEP 7



Attach part (G) to part (1) with (J) as shown.

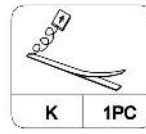
Notice:

Note that the plug is placed under the hole as shown in the figure.

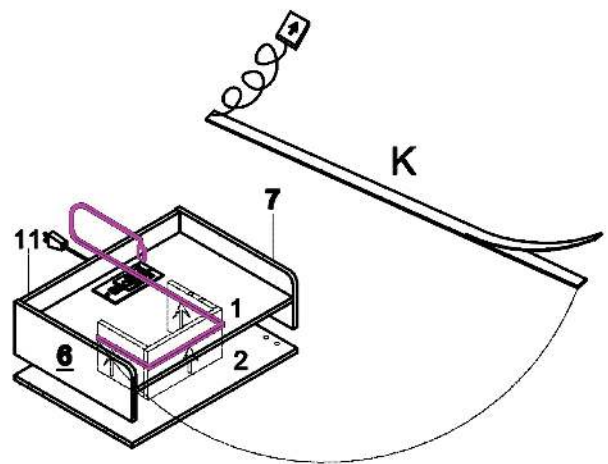


9

STEP 8



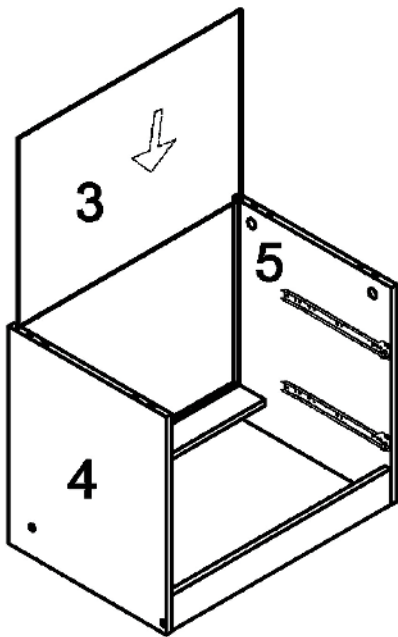
Tear off (K) tape stick (K) on parts (8,9,10)



10

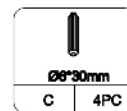
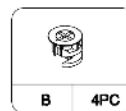
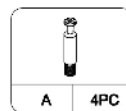
STEP 9

Put part (3) into (4,5) as shown.



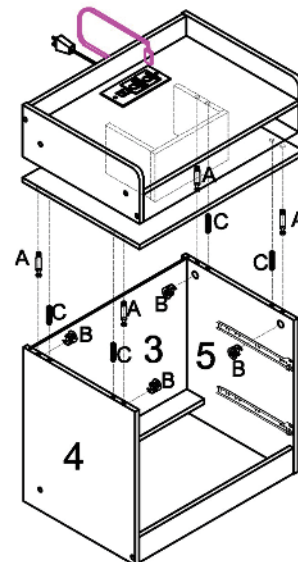
11

STEP 10



Insert (C) into part (4,5). Attach cam bolt (A) to part (2) with screwdriver.

Attach part (2) to part (4,5). Then use attach part (B) to lock them.



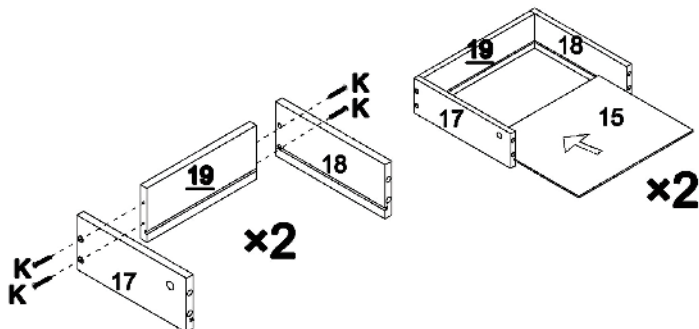
12

STEP 11



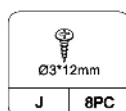
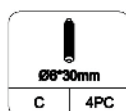
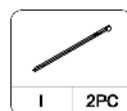
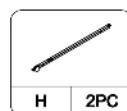
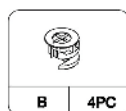
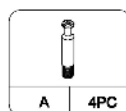
Attach part (17,18) to part (19) with (K). Then put part (15) into (17,18,19) as shown.

Repeat this step for another drawer assembly.



13

STEP 12



Attach cam bolt (A) to part (16) with screwdriver. Attach part (16) to part (17,18). Then use attach part (B) to lock them.

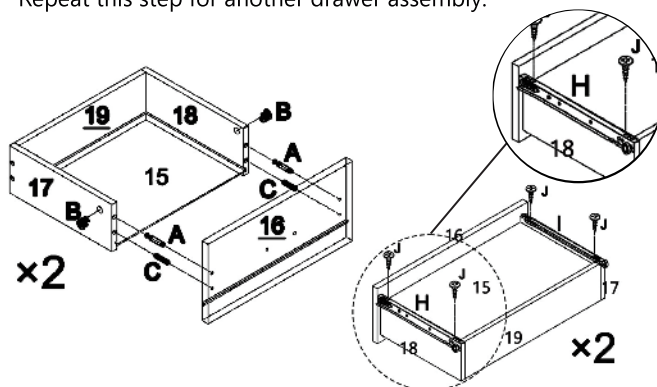
Using screw (J), attach (H) to part (18).

Using screw (J), attach (I) to part (17).

Notice:

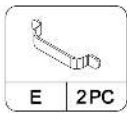
Note the orientation and hole location of (H) and (I).

Repeat this step for another drawer assembly.

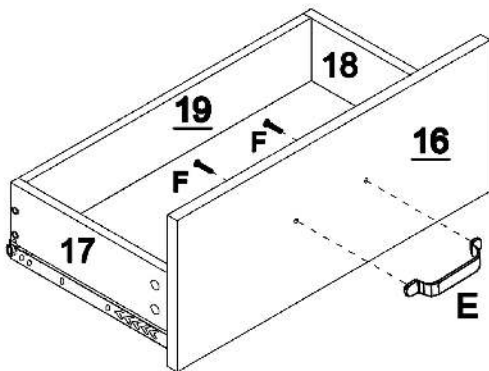


14

STEP 13

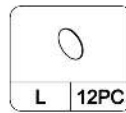


Using screw (F), attach (E) to the side part (16).
Repeat this step for another drawer assembly.

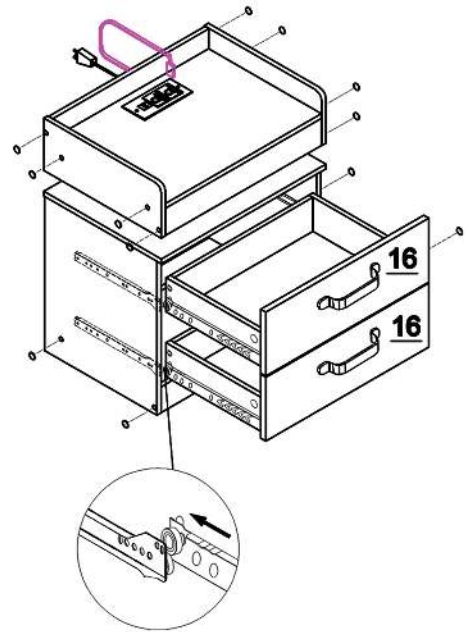


15

STEP 14



Align the 2 side rails and put drawer into, then put (L) as shown.



16